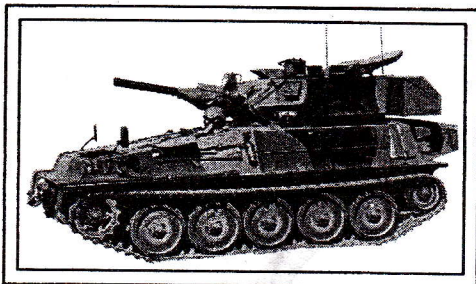




FV101 CVR(T) Scorpion

1/72 scale
Plastic model kit.
cat. #72417



Parts

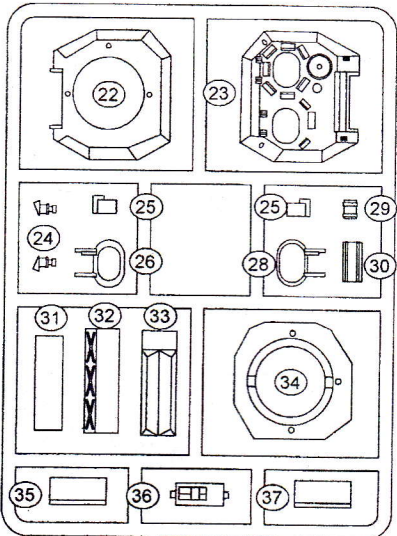
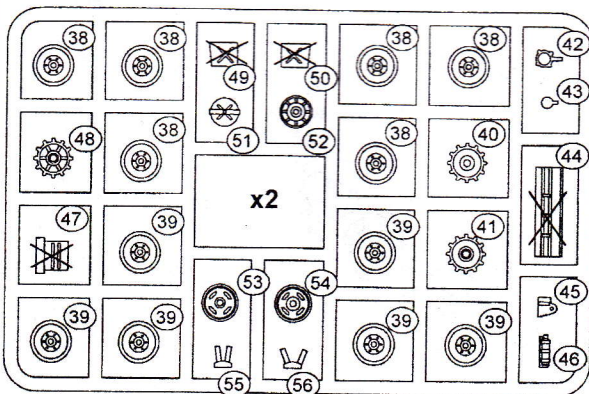
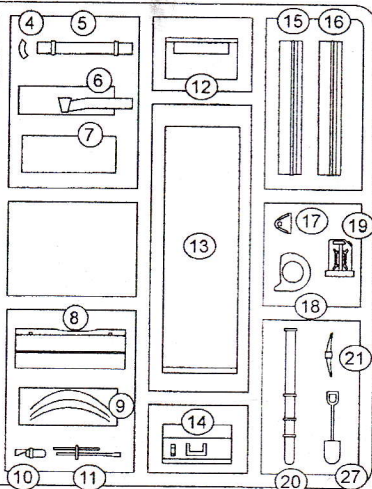
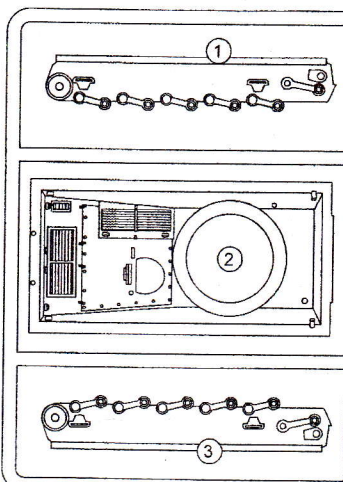
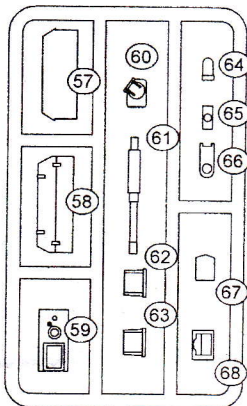
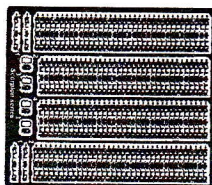
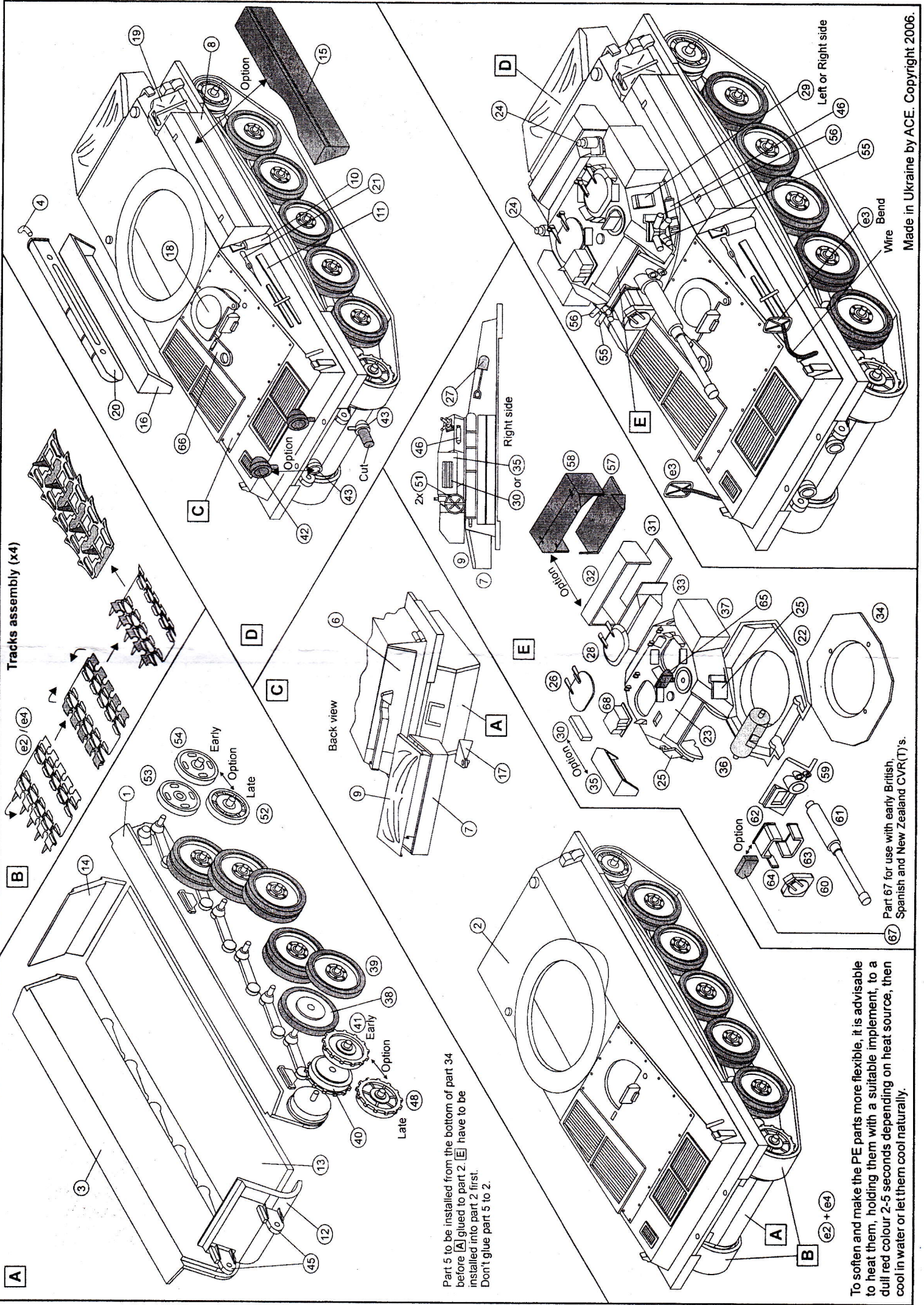


Photo-etched parts



Check for historical photos of this and other vehicles, detailed descriptions of other ACE kits, new products and more at:

<http://www.acemodel.com.ua>



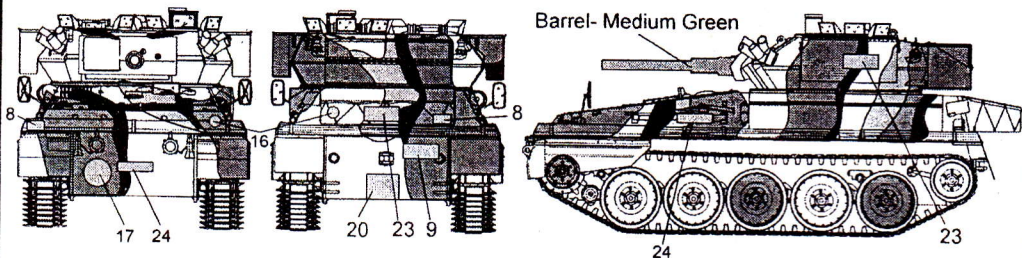
Tracks assembly (x4)

Part 5 to be installed from the bottom of part 34 before [A] glued to part 2. [E] have to be installed into part 2 first. Don't glue part 5 to 2.

Part 67 for use with early British, Spanish and New Zealand CVR(1)'s.

To soften and make the PE parts more flexible, it is advisable to heat them, holding them with a suitable implement, to a dull red colour 2-5 seconds depending on heat source, then cool in water or let them cool naturally.

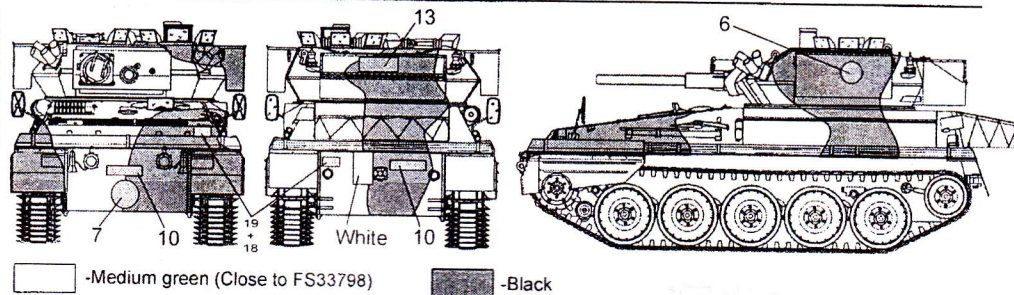
Painting and markings.



Barrel- Medium Green

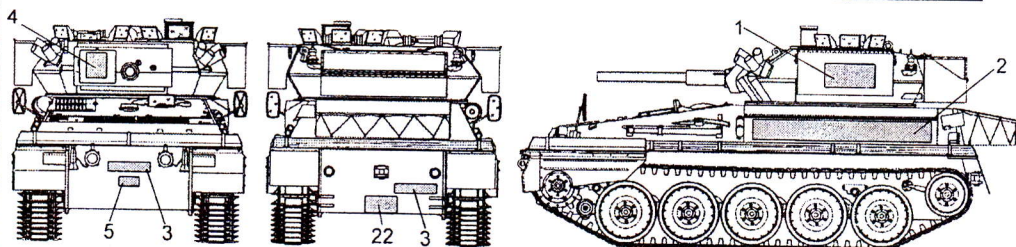
- Desert Sand (Close to FS33798)
- Earth Red (Close to FS30177)
- Black
- Sand (Close to FS30277) or White

FV 101 Scorpion of the New Zealand Army (The Queen Alexandra's Mounted Rifles)US MERDC Red Desert camo scheme
 FV 101 Scorpion BC Новой Зеландии (Танковый дивизион Королевы Александры).

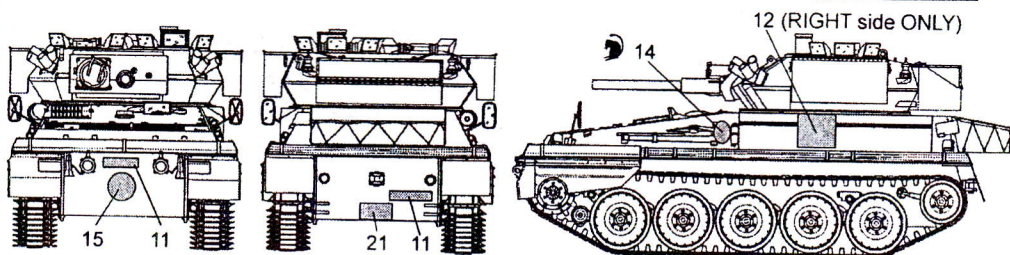


- Medium green (Close to FS33798)
- Black

FV 101 Scorpion. Royal Hussars.
 FV 101 Scorpion Королевских Гусар.



FV 101 Scorpion. Spanish marine Corps. Olive drab.
 FV 101 Scorpion Морская пехота Испании. Оливковый зелёный.



FV 101 Scorpion. Royal Army. Desert Storm. Yellow sand (close to FS33798)
 FV 101 Scorpion Королевские ВС. Буря в пустыне. Песочный.