

F-16A

RTAF

403FS

20th



F-16A Royal Thai Air Force 403 Squadron 20th Anniversary

The General Dynamics F-16 Fighting Falcon is a single-engine multirole fighter aircraft originally developed by General Dynamics for the United States Air Force. Designed as an air superiority day fighter, it evolved into a successful all-weather multirole aircraft. Over 4,600 aircraft have been built since production was approved in 1976.

In April of 1985, the government of Thailand made overtures to the United States to purchase twelve F-16A's. At that time, the F-16/79 was the only version that Thailand would be allowed to receive. However, in July 1987, Thailand was given approval to go ahead and order the F100-powered F-16, and a letter of agreement was signed in December of 1987 for the purchase of eight F-16A's and four F-16B's under the Peace Naresuan I Foreign Military Sales program. Thailand took delivery of its first F-16A in a ceremony at Fort Worth.

Along the coming two decades, the Peace Naresuan I was followed by Peace Naresuan II, III and IV. These programs bring new aircraft, system upgraded and weapons. All F-16 aircraft operate by Thailand's are of the block 15OCU variety.

The Royal Thai Air Force ordered a total of 54 F-16A/B Fighting Falcon aircraft. In 2004, it received a further 7 F-16A/B aircraft as a donation from Singapore in exchange for the use of training facilities in Udon Thai Air Base by the RSAF.

CAUTION

- *Read carefully and fully understand the instructions before commencing assembly.
- *Keep out of reach of children. Children must not be allowed to put any parts in their mouths, or pull plastic bag over their heads.
- *When using adhesives and paints, please make sure not to use them in closed room or near the fire.
- *When assembling this kit, tools including knives are used. Extra care should be taken to avoid injury.

WARNING: CONTAIN SMALL PARTS NOT FOR CHILDREN UNDER 14 YEARS OF AGE.



Drill



Remove



2 Set



Bend



Optional



Decal



Super Glue



Fill Hole



No Cement



Be Careful

TOOLS RECOMMENDED

Cement



Side Cutter



Modeling Knife



Tweezers

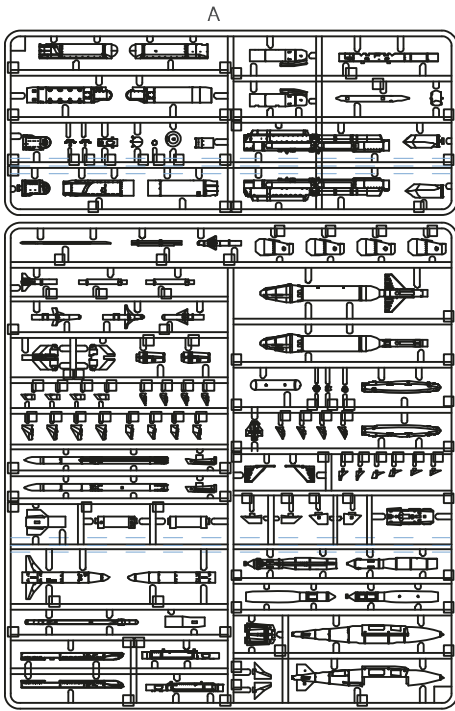


1/48 SCALE AIRCRAFT SERIES NO. 48161

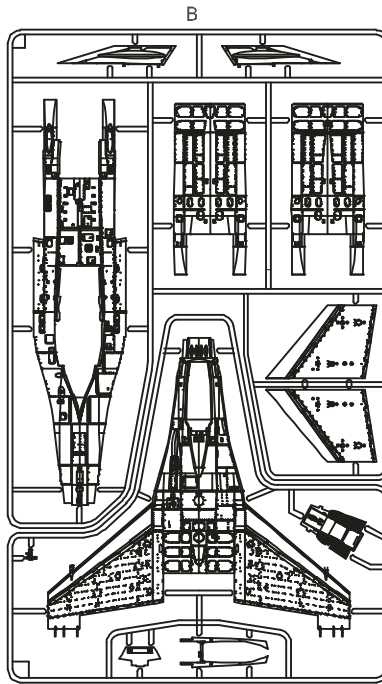
AFTERMARKET SERVICES CARD

When requesting replacement parts, please take or send this form to your local dealer so that the parts required can be correctly identified. Please note that specifications and availability are subject to change without notice. Or visit <http://www.kineticmodel.com> for latest information. For more information, please contact services@kineticmodel.com

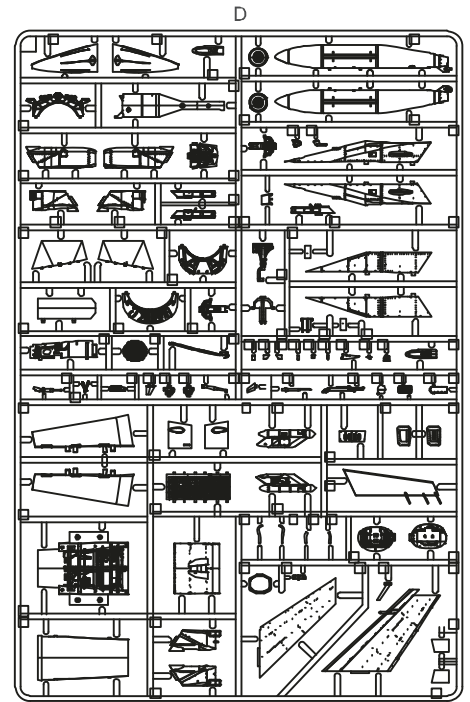
Part Code	K48161	Qty	Item	Part Code	Qty	Item
00-103-011	IRIS-T	2		00-180-006	2	F
00-180-001	1/48 MODERN US TARGETING POD	1	A	00-180-007	1	G
00-180-002	1/48 F-16 LOWER FUESLAGE	1	B	00-180-010	2	K
00-180-003	1/48 F-16A/C UPPER FUESLAGE	1	C	01-100-001	1	DECAL
00-180-004	1/48 F-16 MAIN PARTS	1	D	01-180-48161	1	DECAL
00-180-005	1/48 NSI INTAKE and LANDING GEAR	1	E	03-180-48161	1	MANUAL



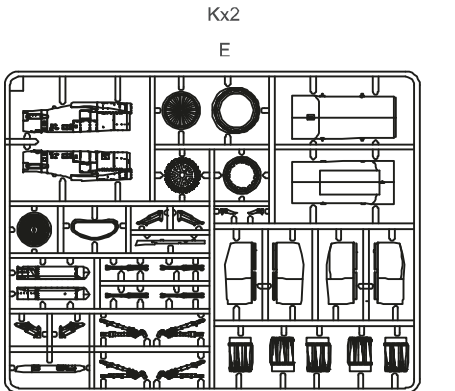
A



B

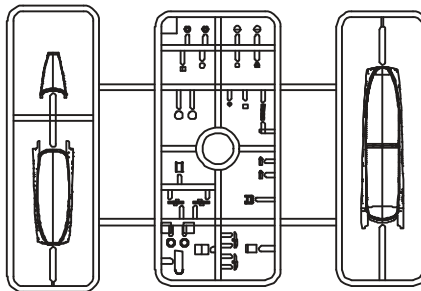


D

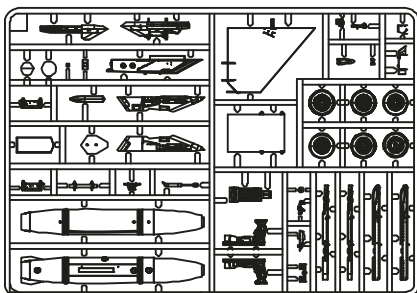


Kx2

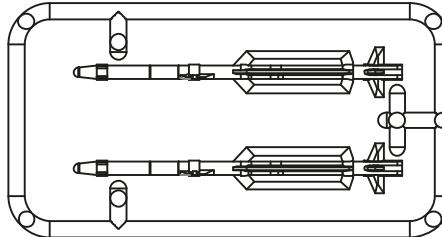
E



C



Fx2



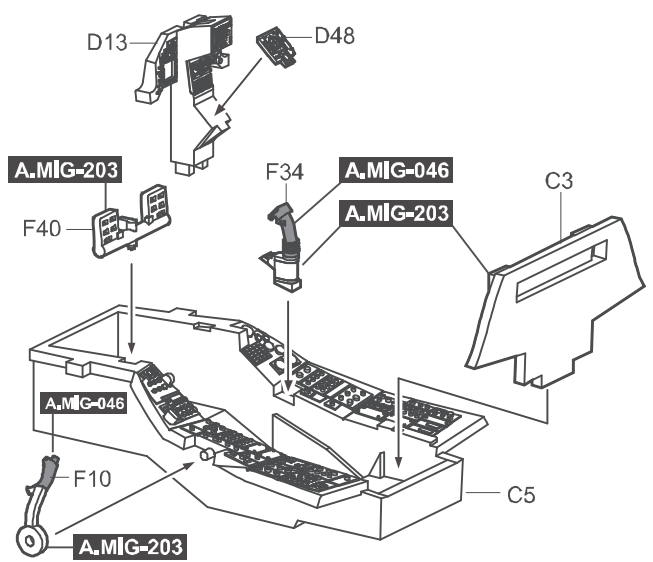
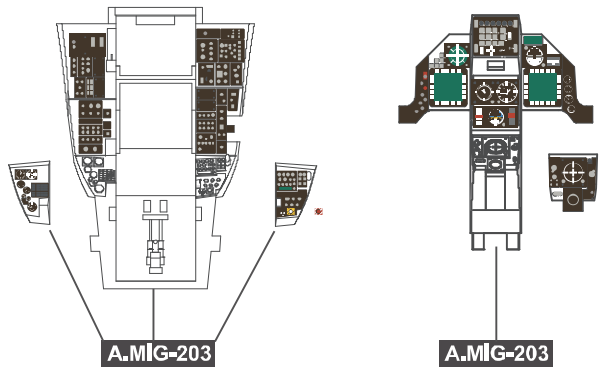
IRIS-T



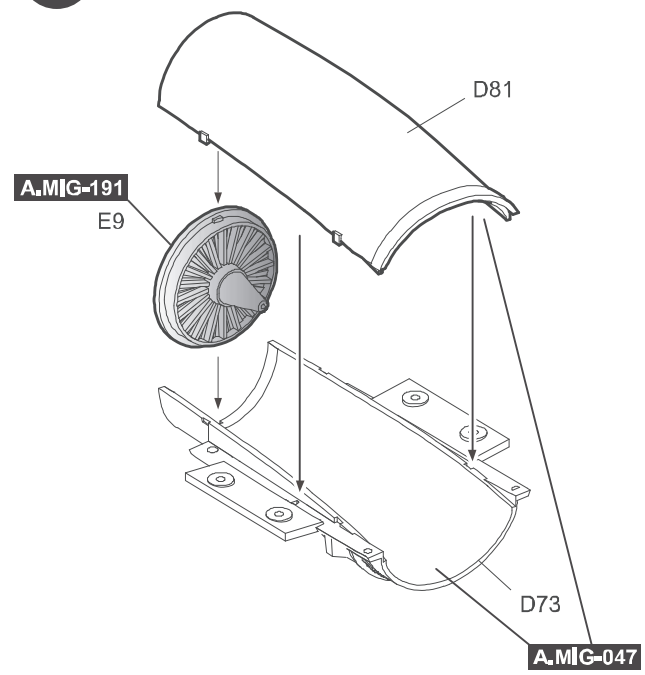
COLOR	AMMO MIG	VALLEJO MODEL COLOR	GSI CREOS MR. COLOR	TAMIYA ENAMEL/ACRYLIC	HUMBROL ENAMEL
GUN METAL	A.MIG-045	70.863	78	X-10	53
MATT BALCK	A.MIG-046	71.057	33	XF-1	33
SATIN WHITE	A.MIG-047	70.842	1	X-2	22
CRYSTAL RED	A.MIG-093	70.934	47	X-27	220
CRYSTAL BLUE	A.MIG-098	70.938	50	X-23	-
BURNT IRON	A.MIG-187	71.073	61	XF-4	-
STEEL	A.MIG-191	70.864	28	-	27003
SILVER	A.MIG-195	71.063	8	X-11	11
GHOST GRAY FS 36375	A.MIG-203	70.990	308	-	-
FS36320	A.MIG-208	71.120	307	-	128
FS336270	A.MIG-211	71.275	306	-	126
DARK OLIVE DRAB	A.MIG-237	71.016	12	XF-62	-
SATIN BLACK	A.MIG-032	70.861	2	X-18	21
CLEAR YELLOW	-	70.937	48	X-24	-
FS 36495	A.MIG-209	71.276	338	-	-
BLUE	A.MIG-086	71.089	323	X-4	14
FS 36251 Gray	A.MIG-059	71.050	H22	-	-
SILVER GRAY	A.MIG-212	71.119	332	-	-
FS 26231	A.MIG-205	71.051	317	-	27
KHAKI GREEN No3	A.MIG-113	71.023	-	-	-
DUNKELGELB AUS '44 DG I	A.MIG-011	70.978	-	-	-
OLD BRASS	A.MIG-190	70.801	-	-	-
FS36099	-	71.110	-	-	-
FS26270	-	-	-	-	126
JET EXHAUST	A.MIG-8208	-	-	-	-

For Color Profile, please go to www.kineticmodel.com for download
(type the kit# and go for manual/painting guide)

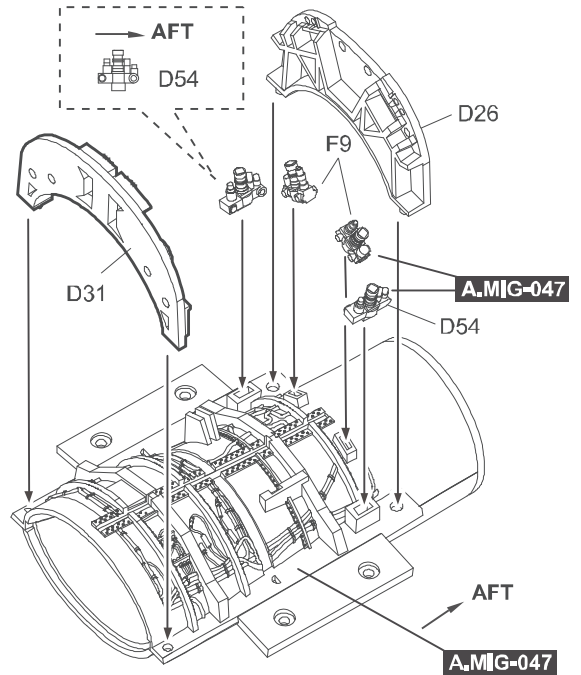
1



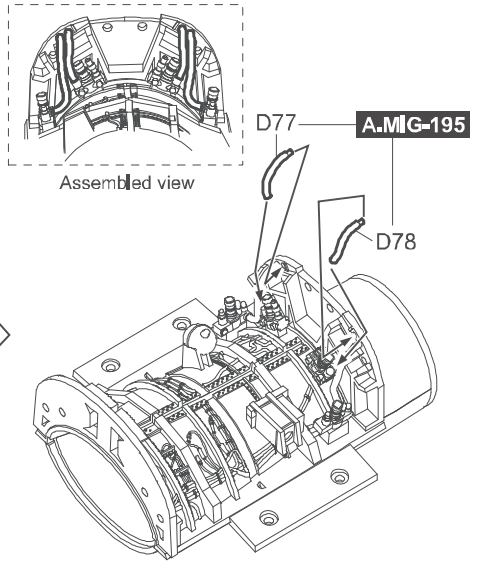
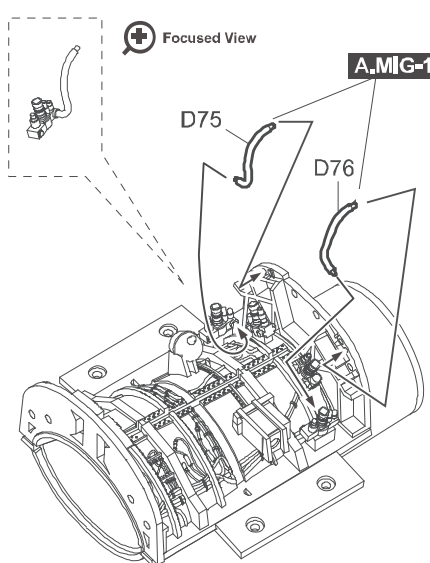
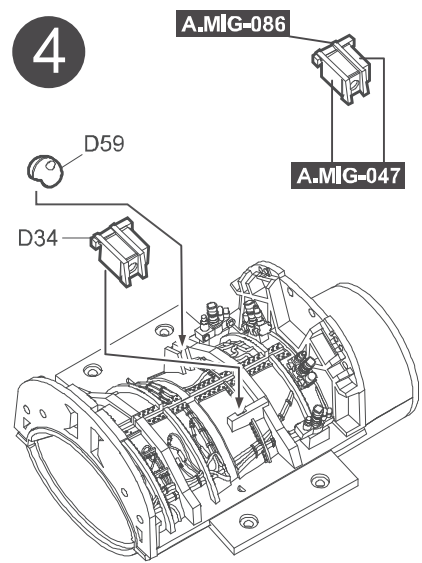
2



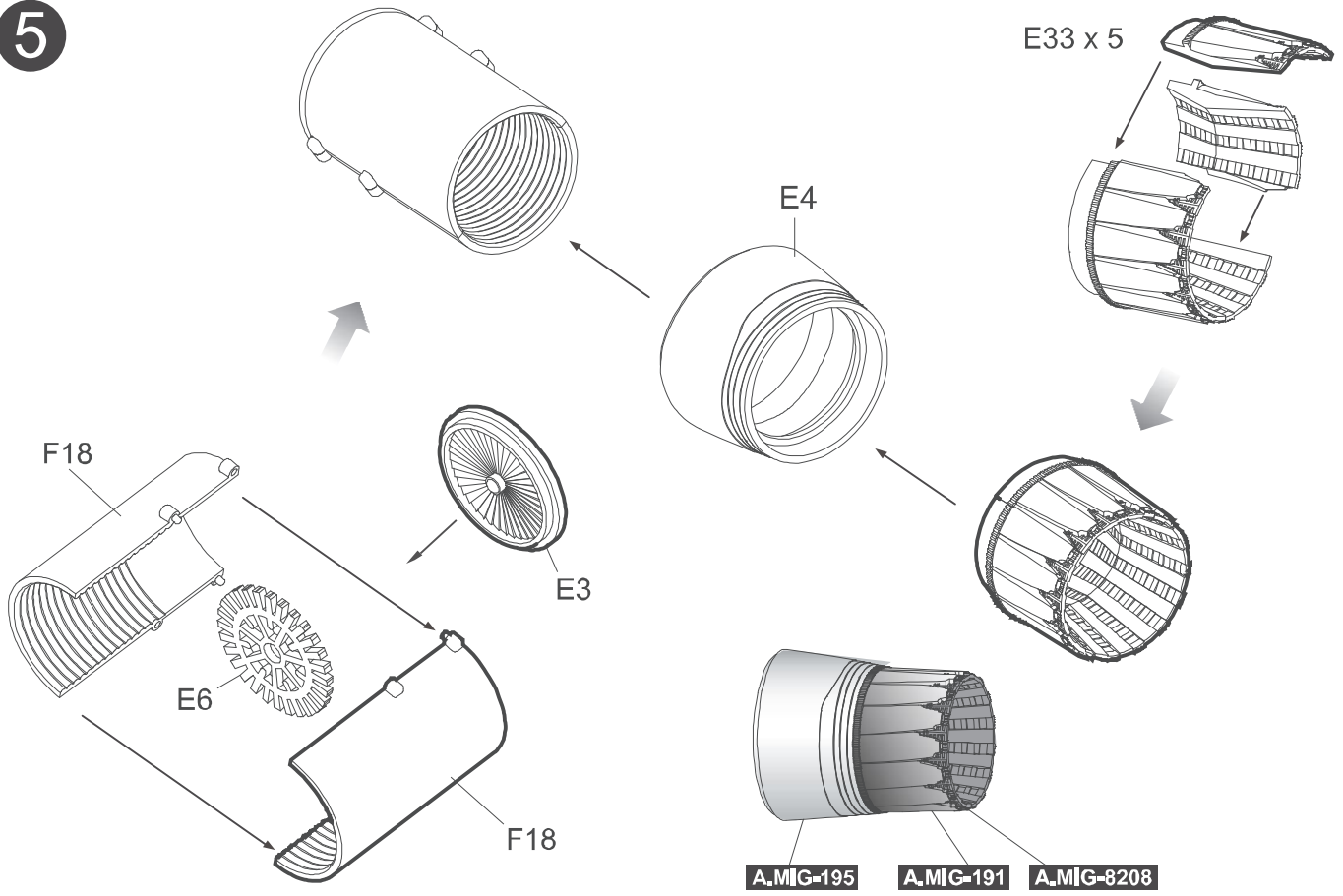
3



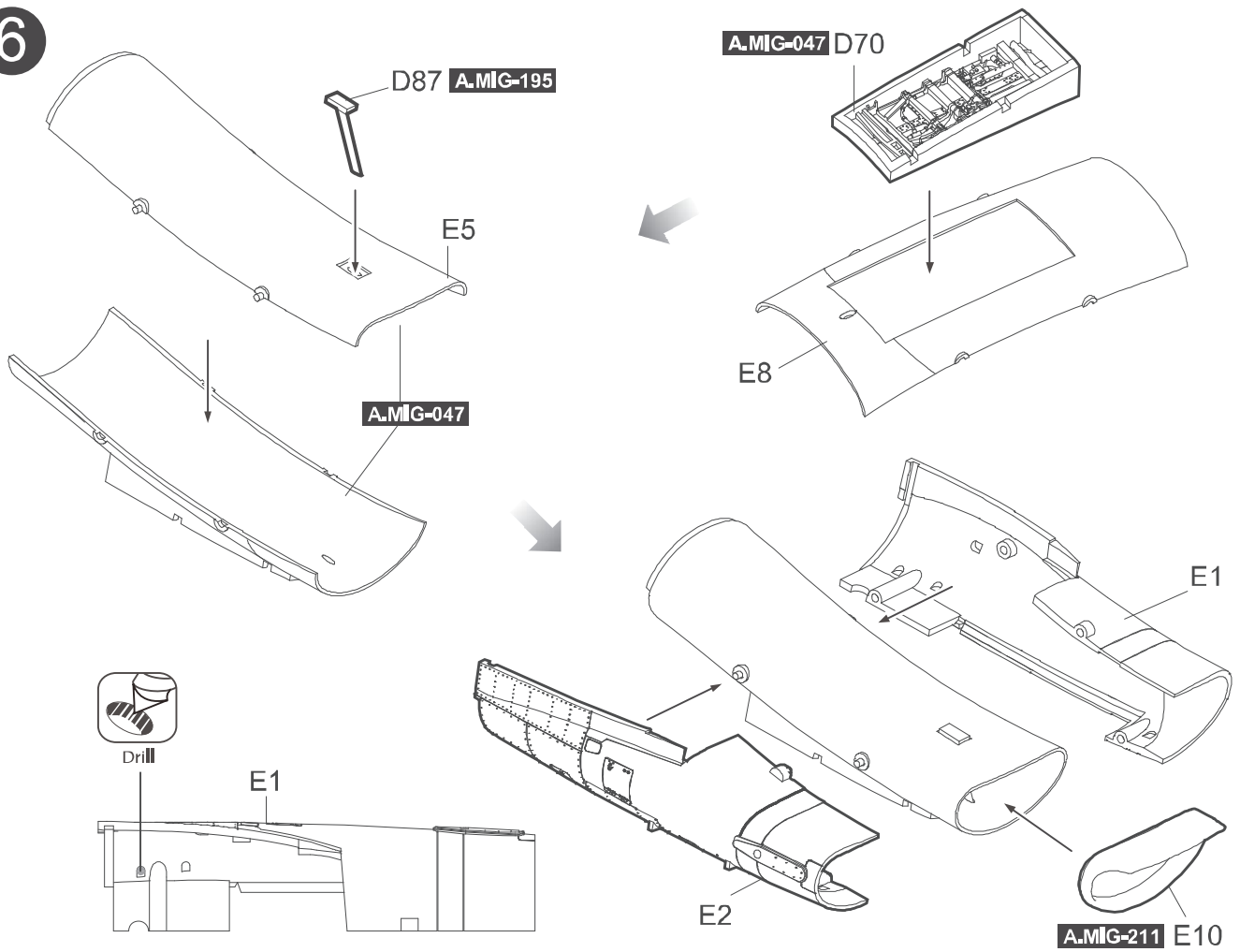
4



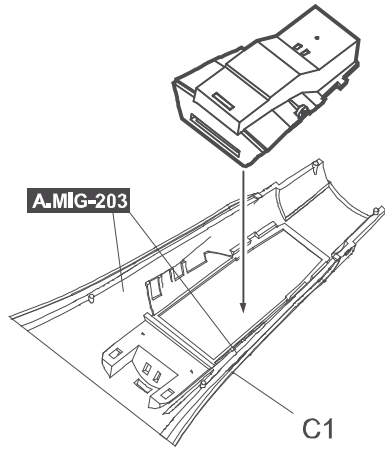
5



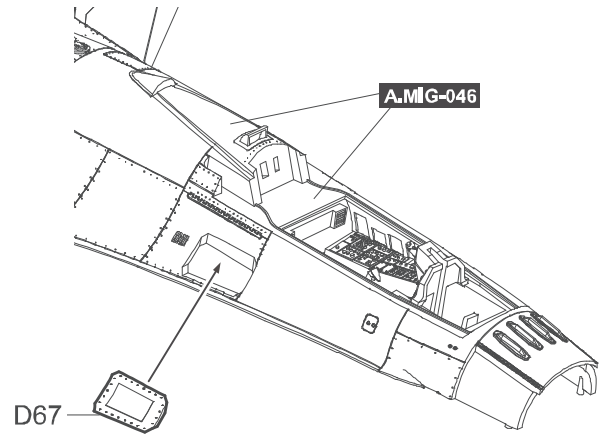
6



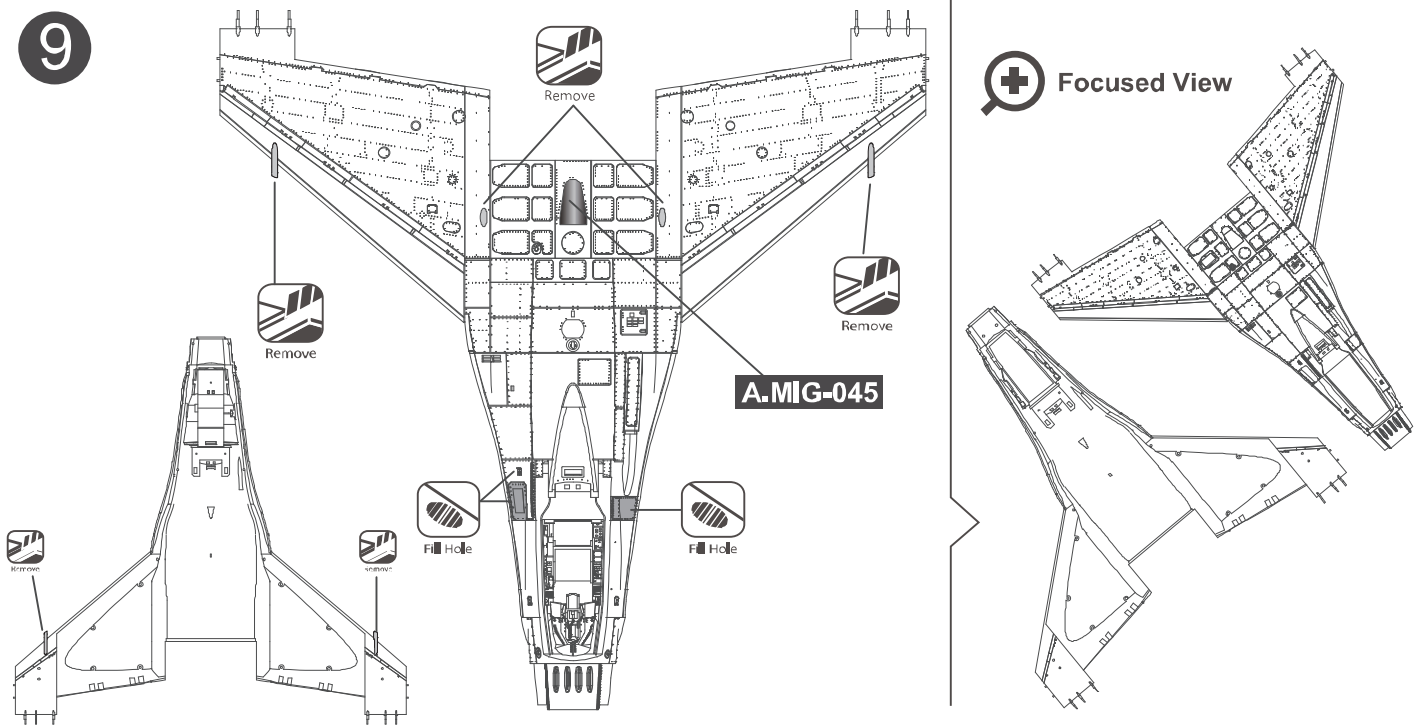
7



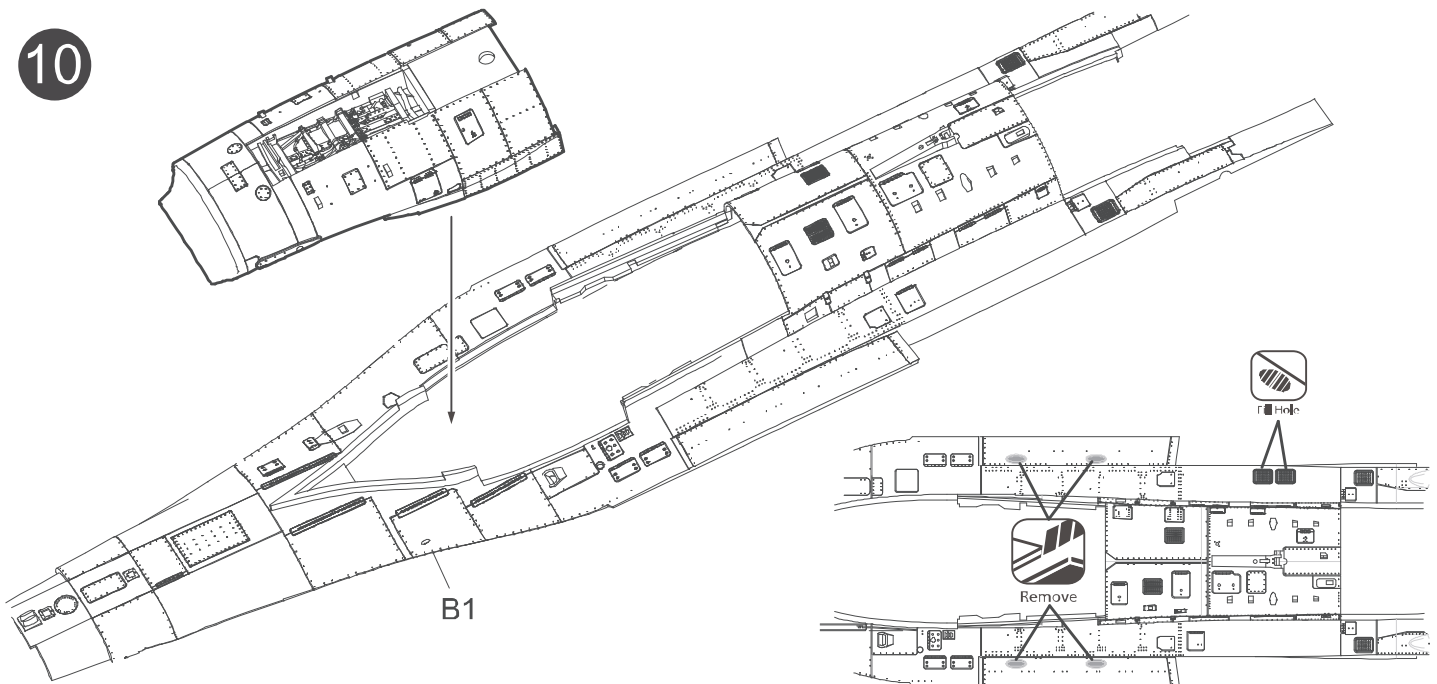
8



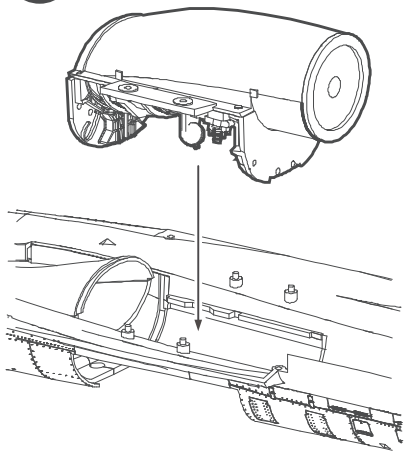
9



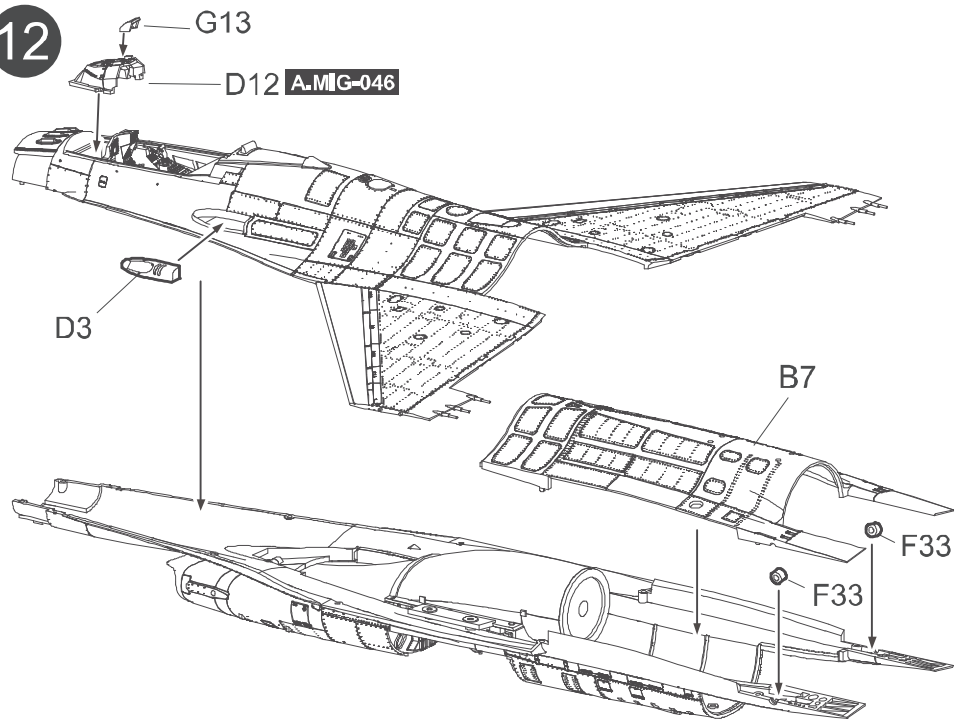
10



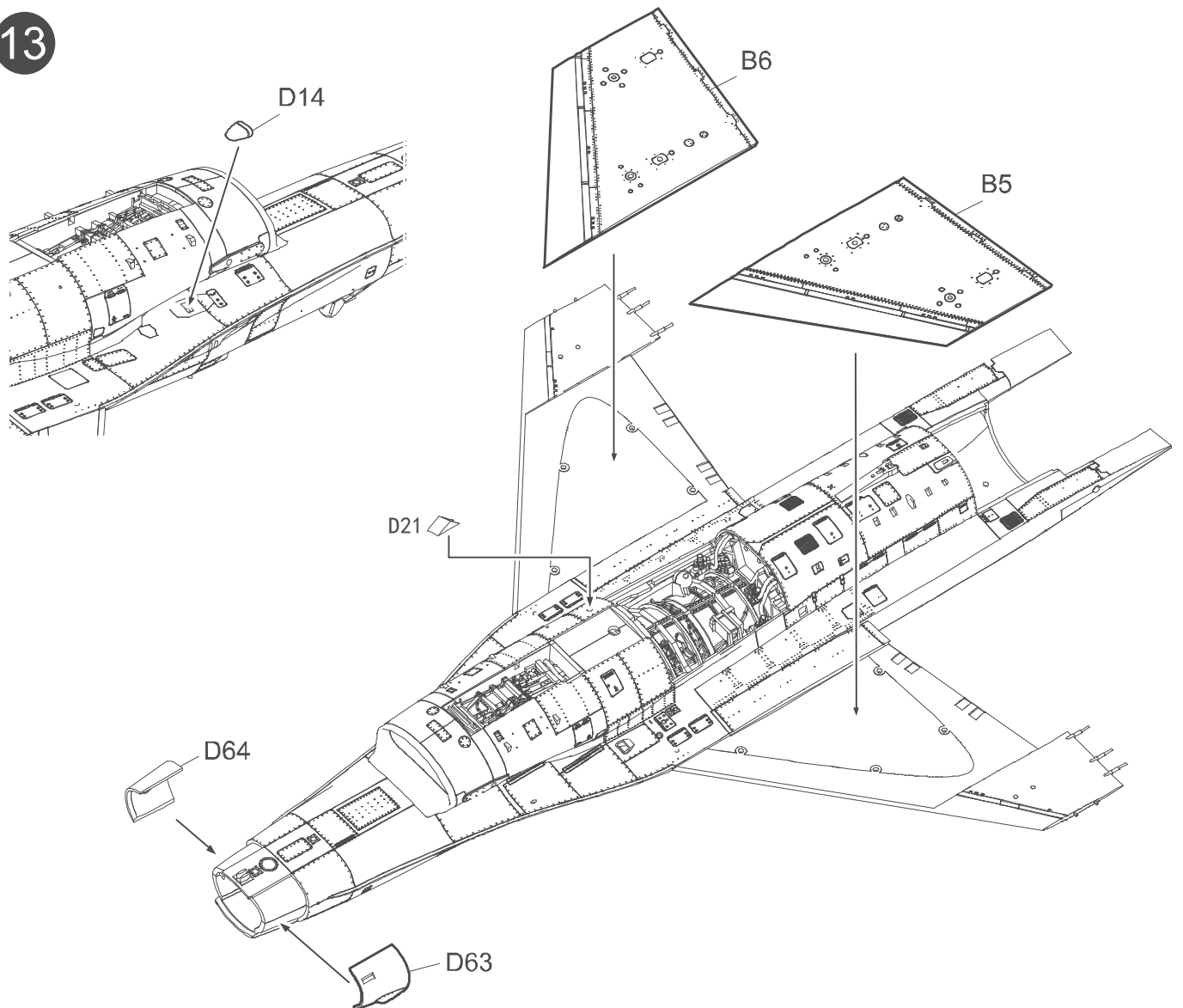
11



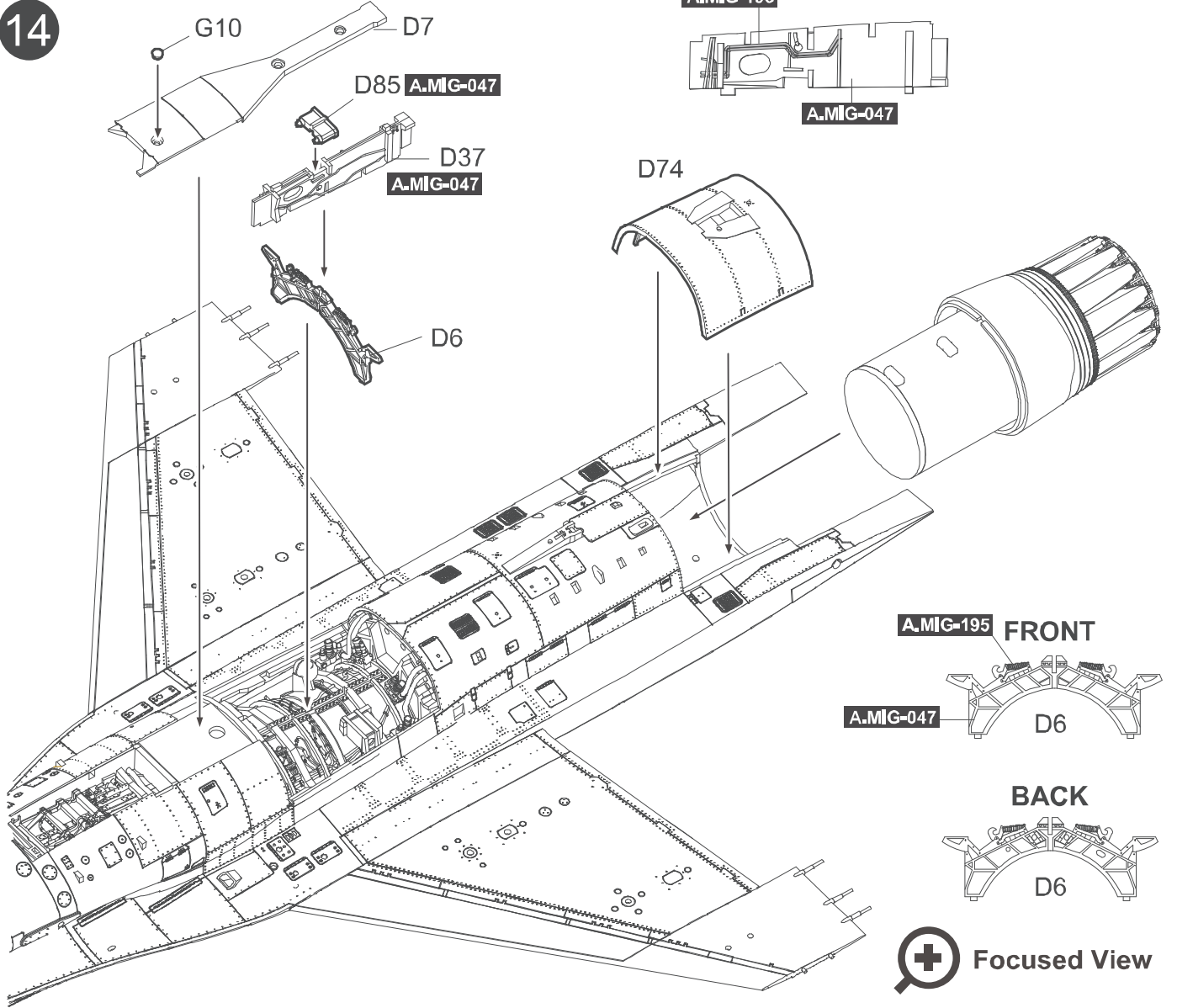
12



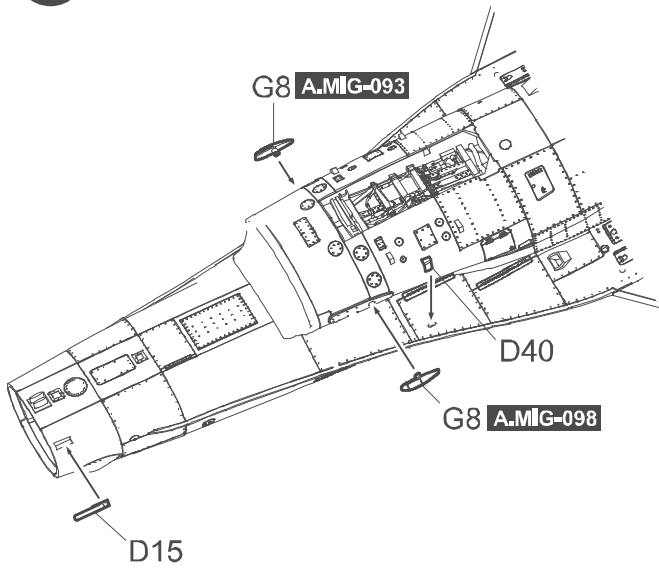
13



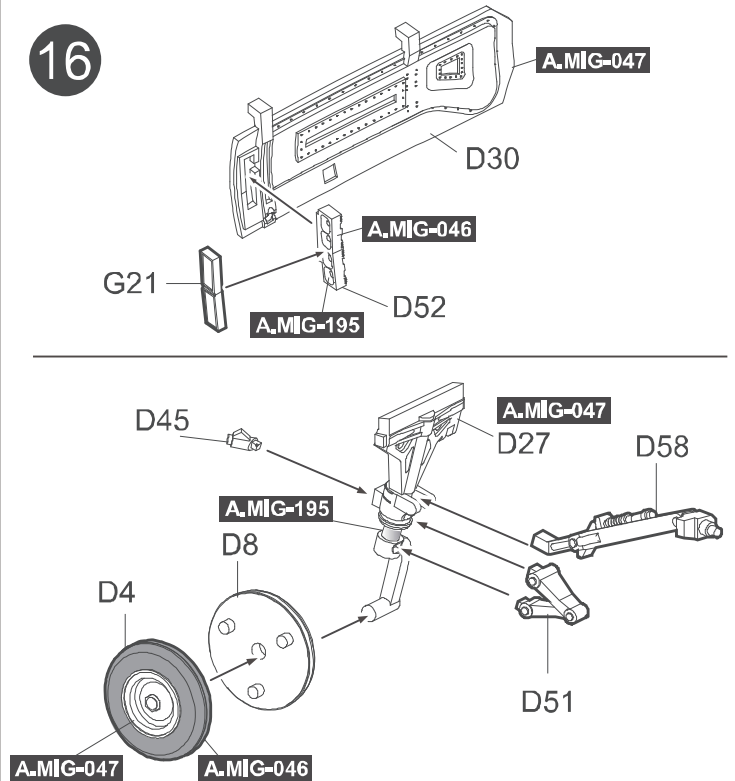
14



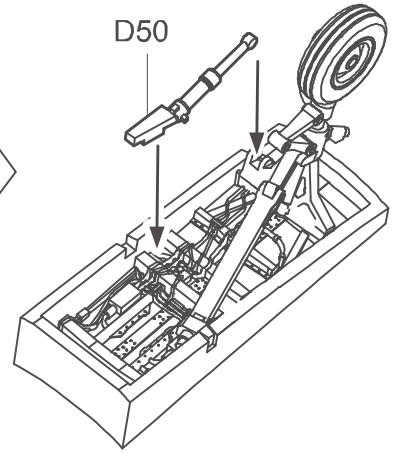
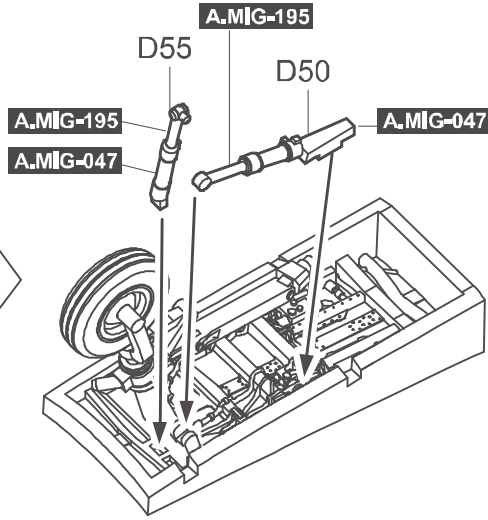
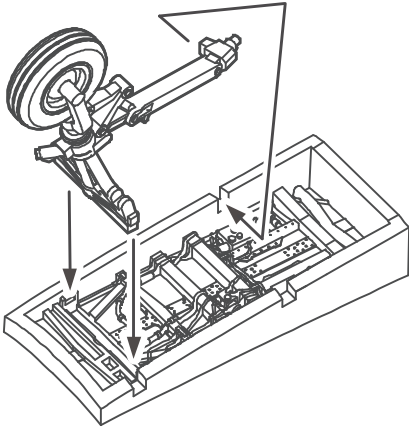
15



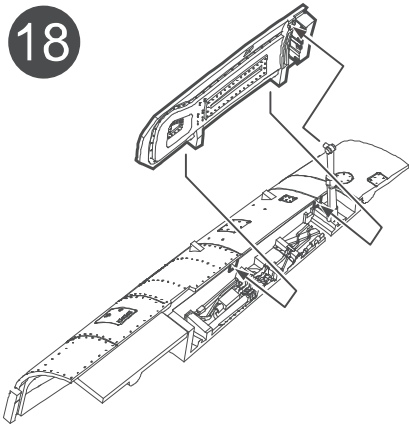
16



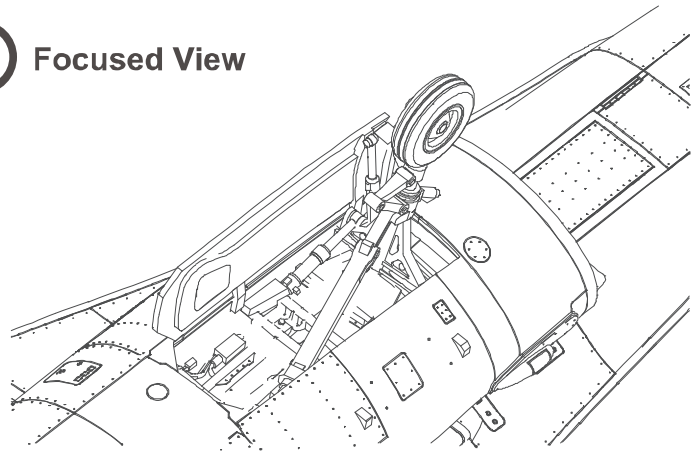
17



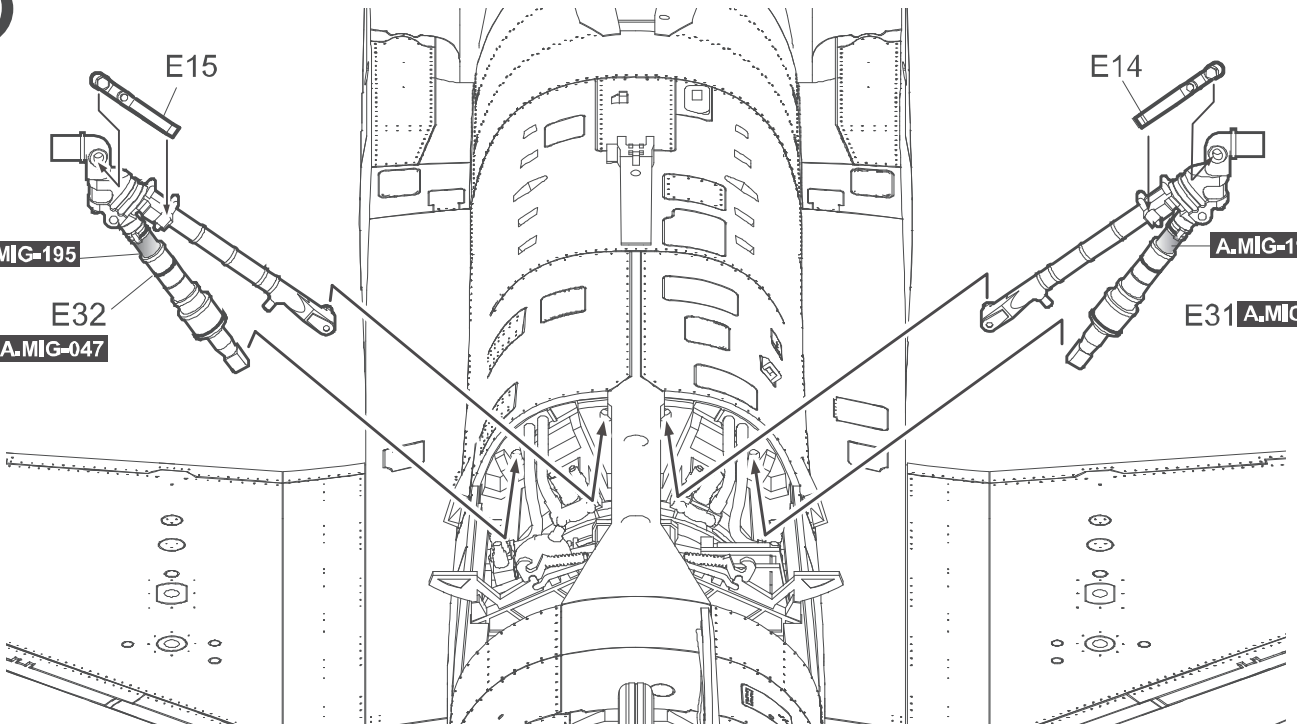
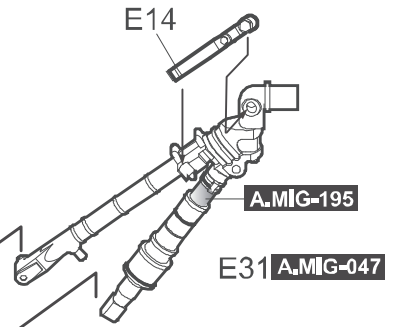
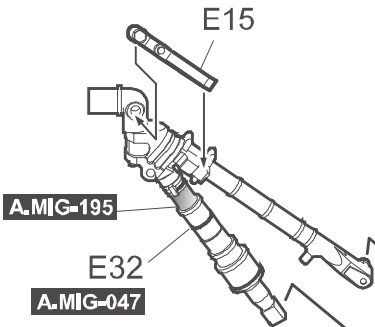
18



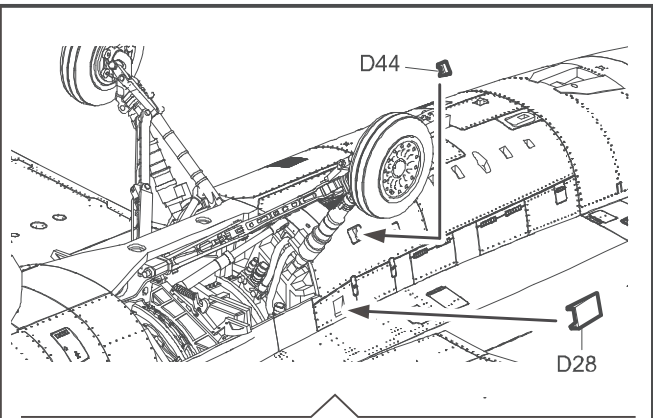
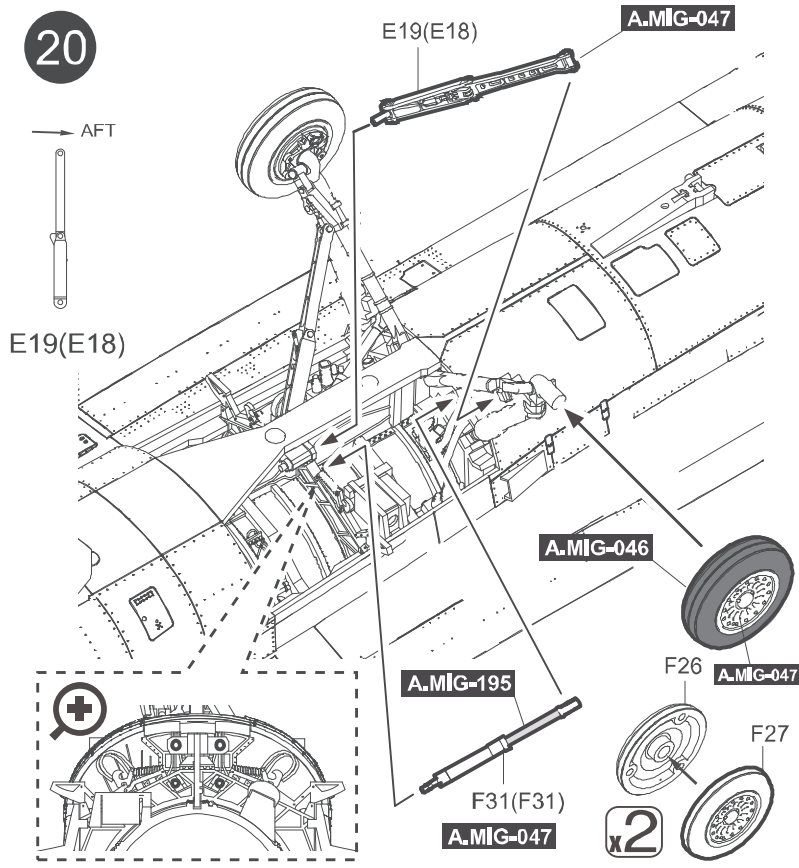
+ Focused View



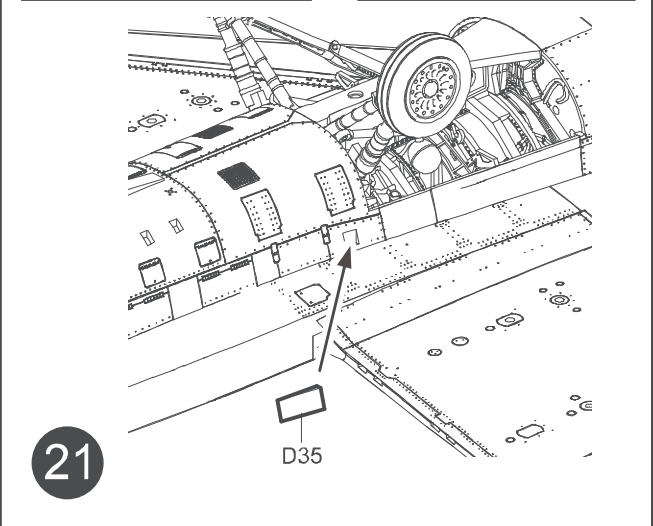
19



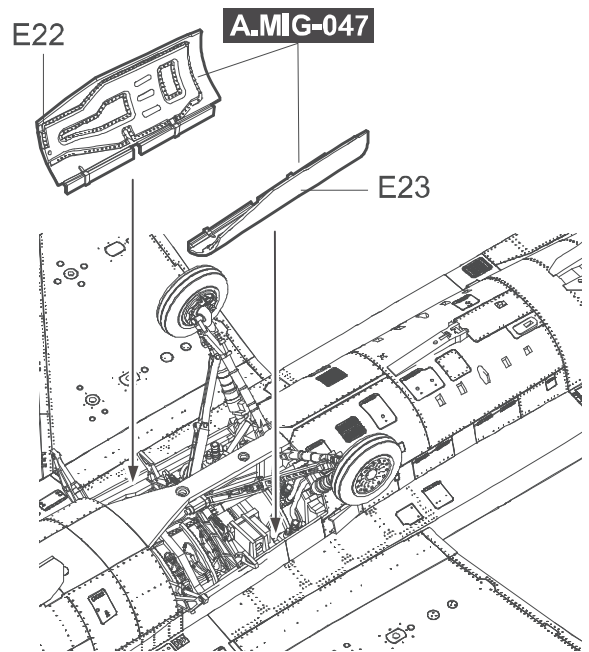
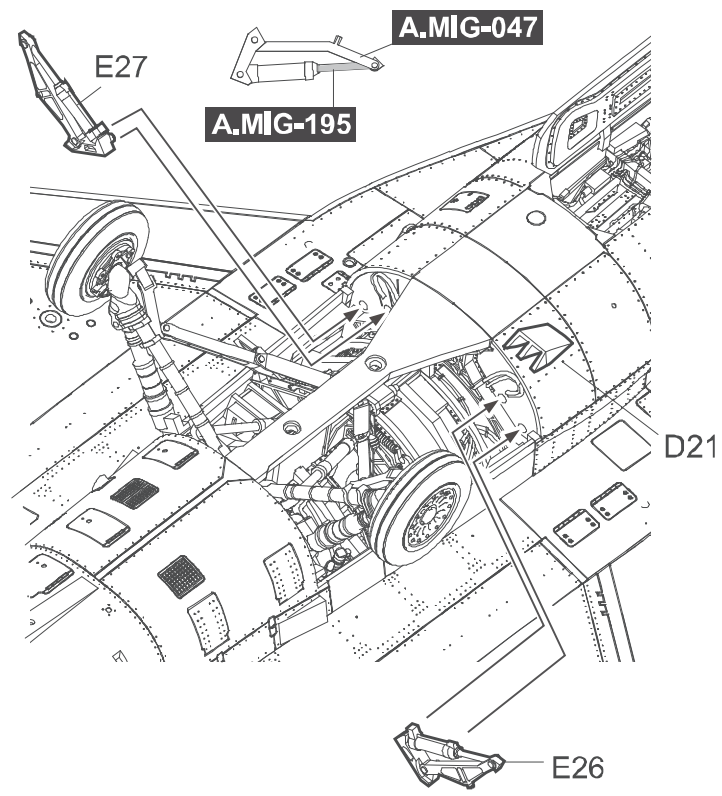
20



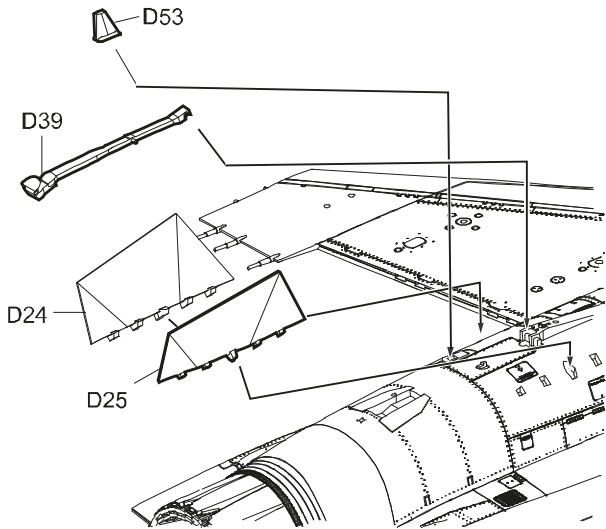
21



22

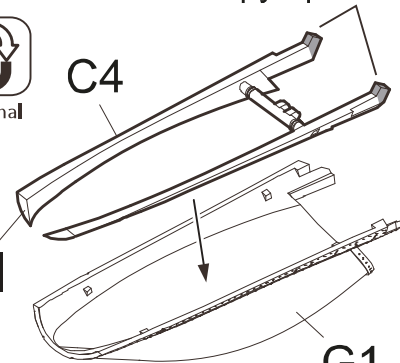


23

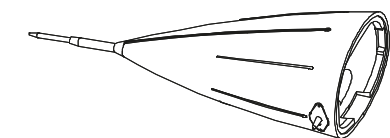
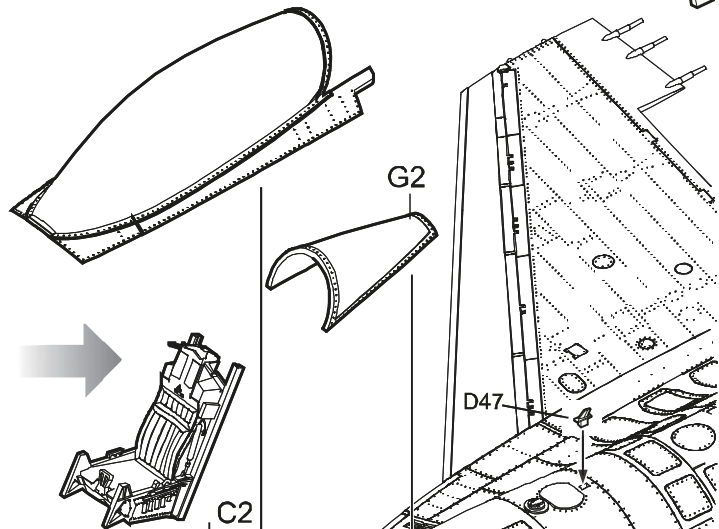
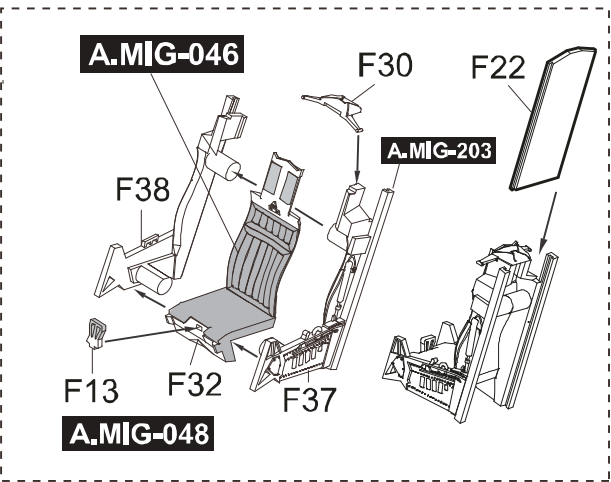
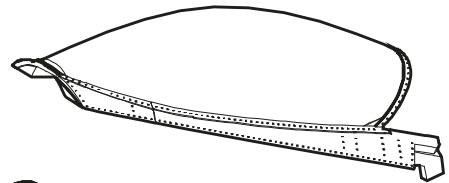


24

Cut for closed canopy option.



A.MIG-046



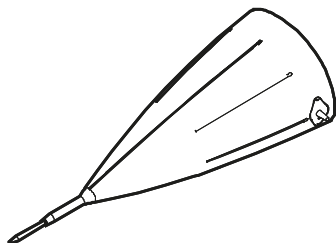
A.MIG-203



A.MIG-011

D79

D38

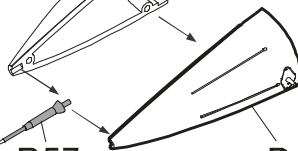


A.MIG-195

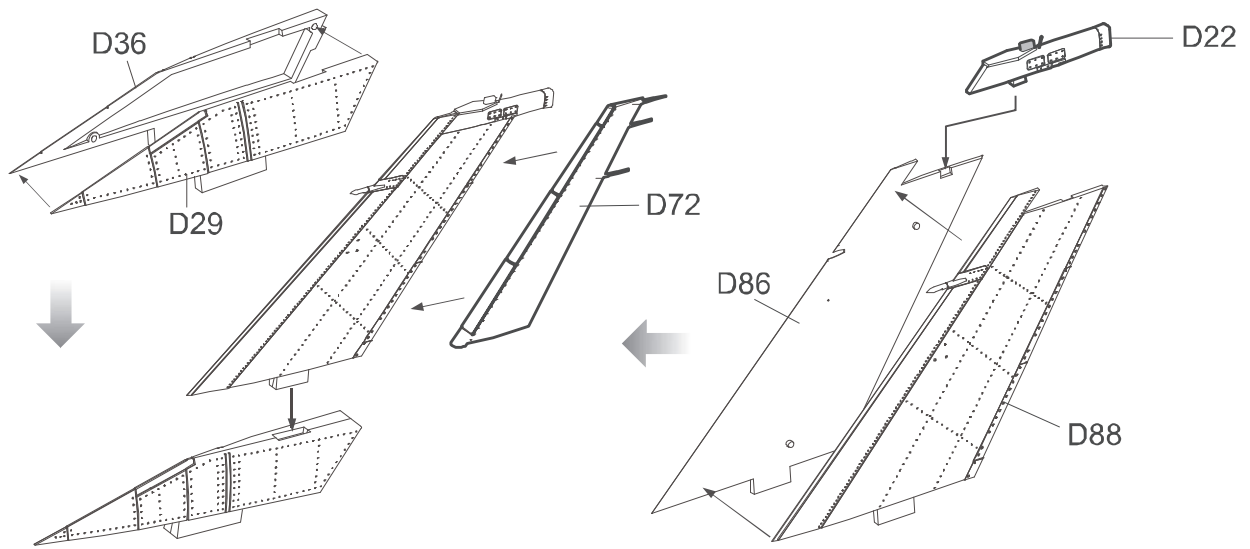
D2

D57

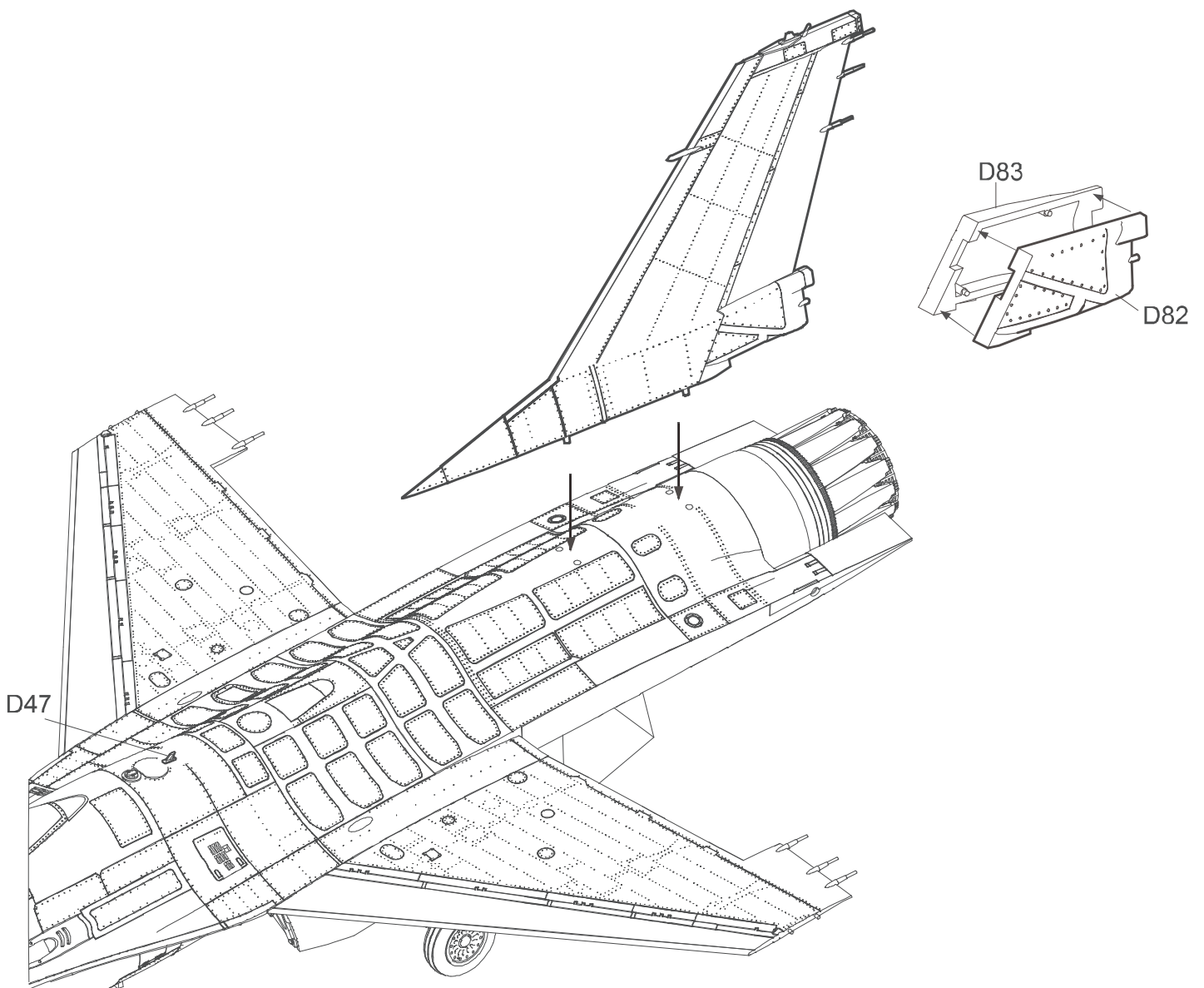
D1

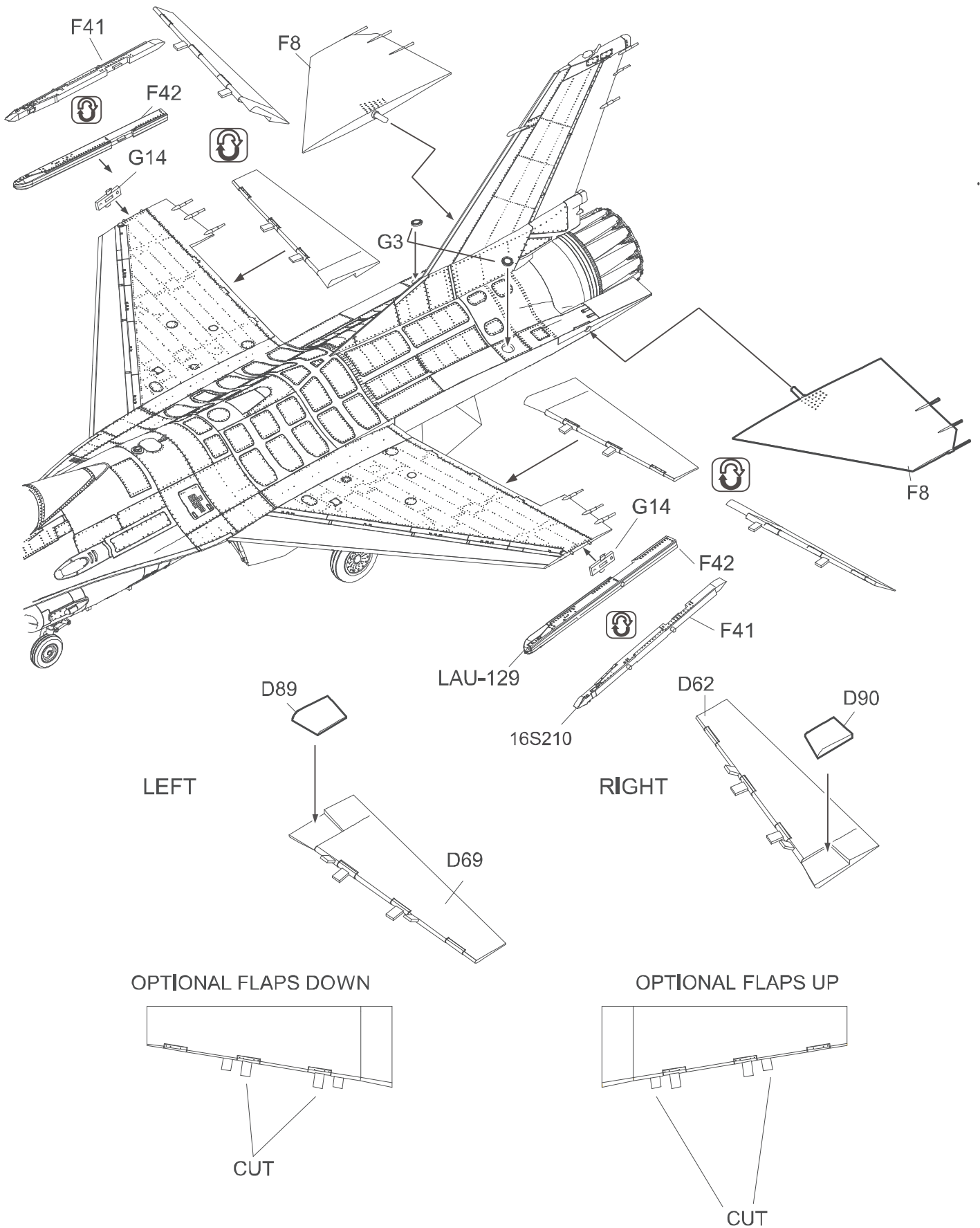


25

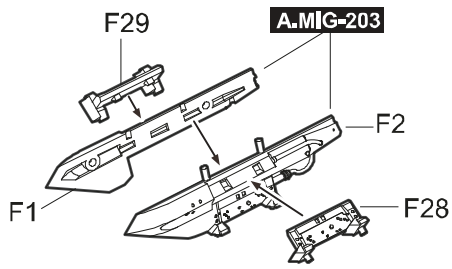


26

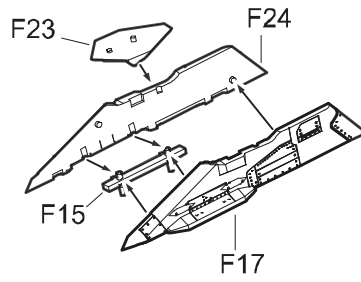




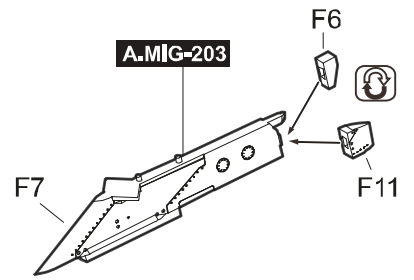
TER



MIDDLEPYLON

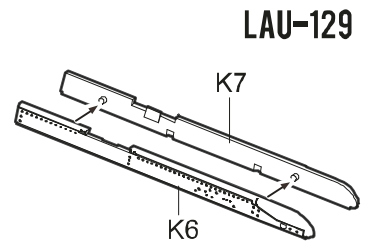
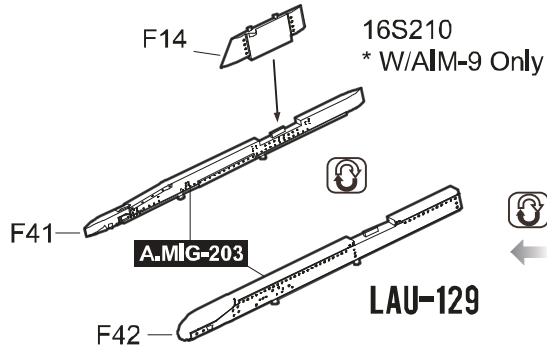
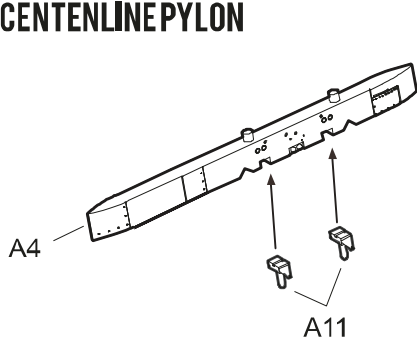


WINGTANKPYLON

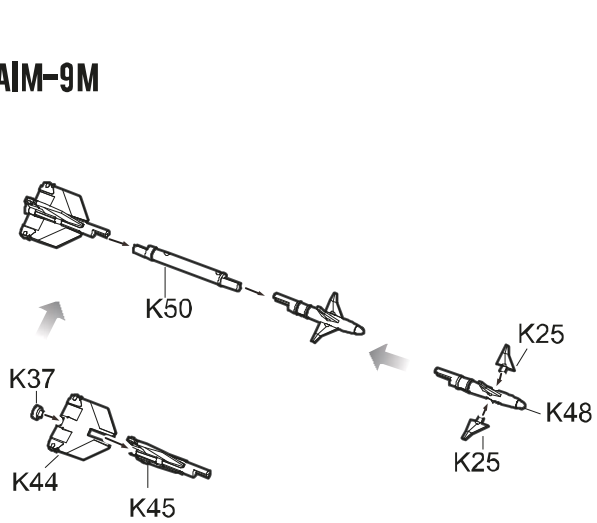


*DO NOT INSTALL #F15 FOR TER

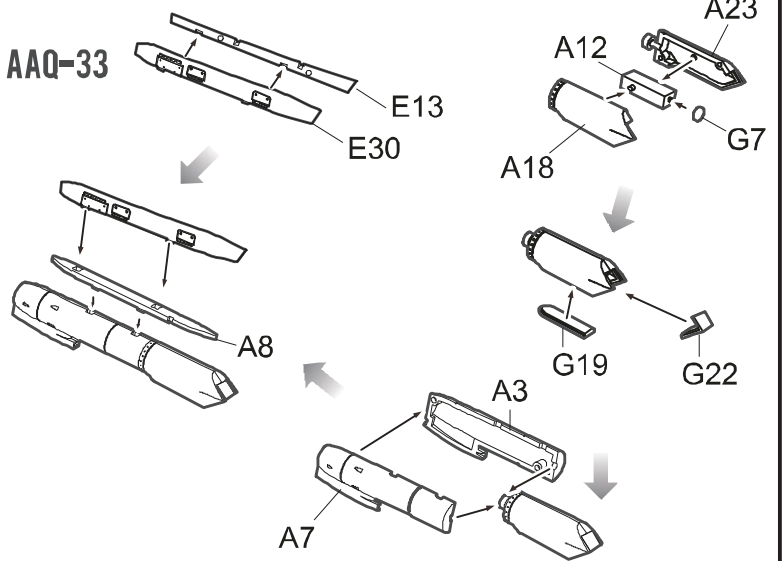
CENTENLINEPYLON



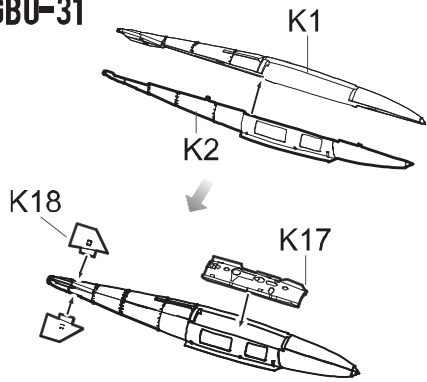
AIM-9M



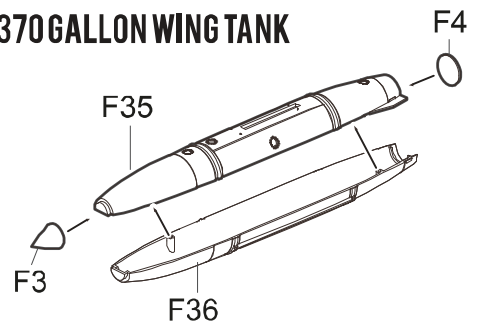
AAQ-33



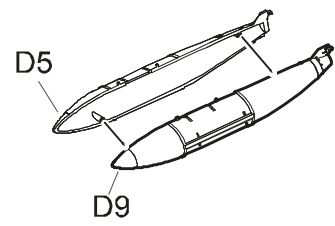
GBU-31



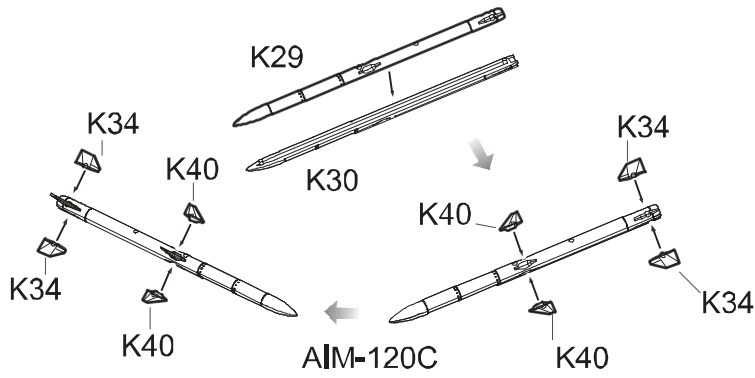
370GALLON WING TANK



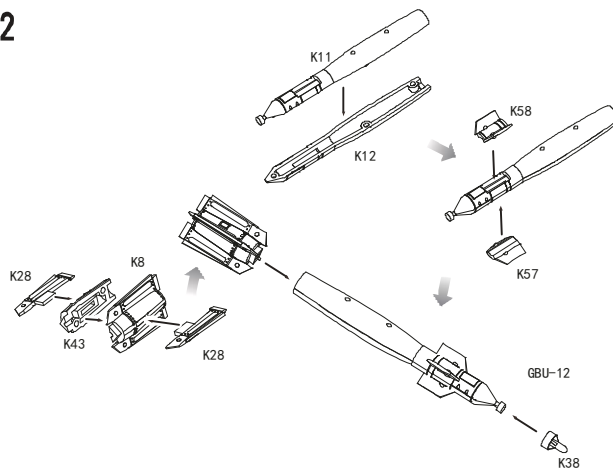
300GALLON CENTENLINE TANK



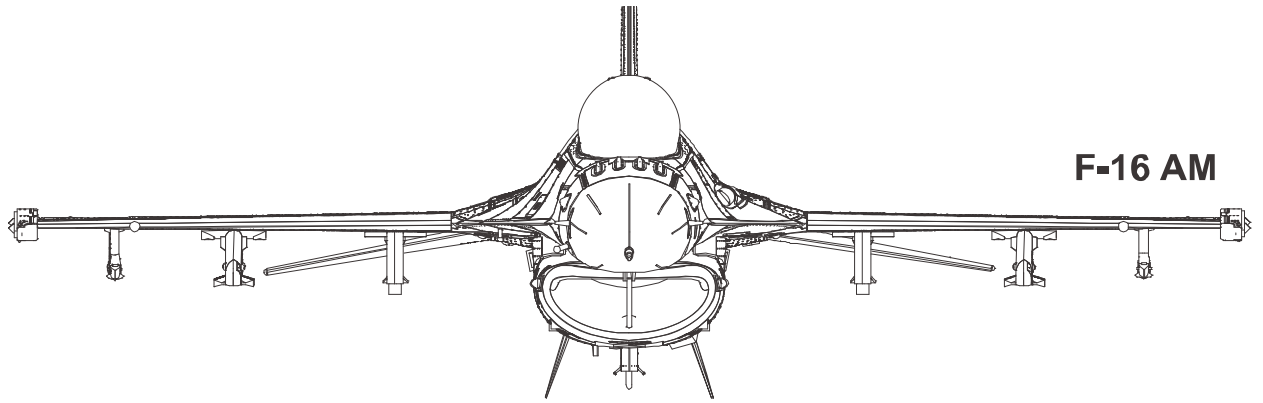
AIM-120



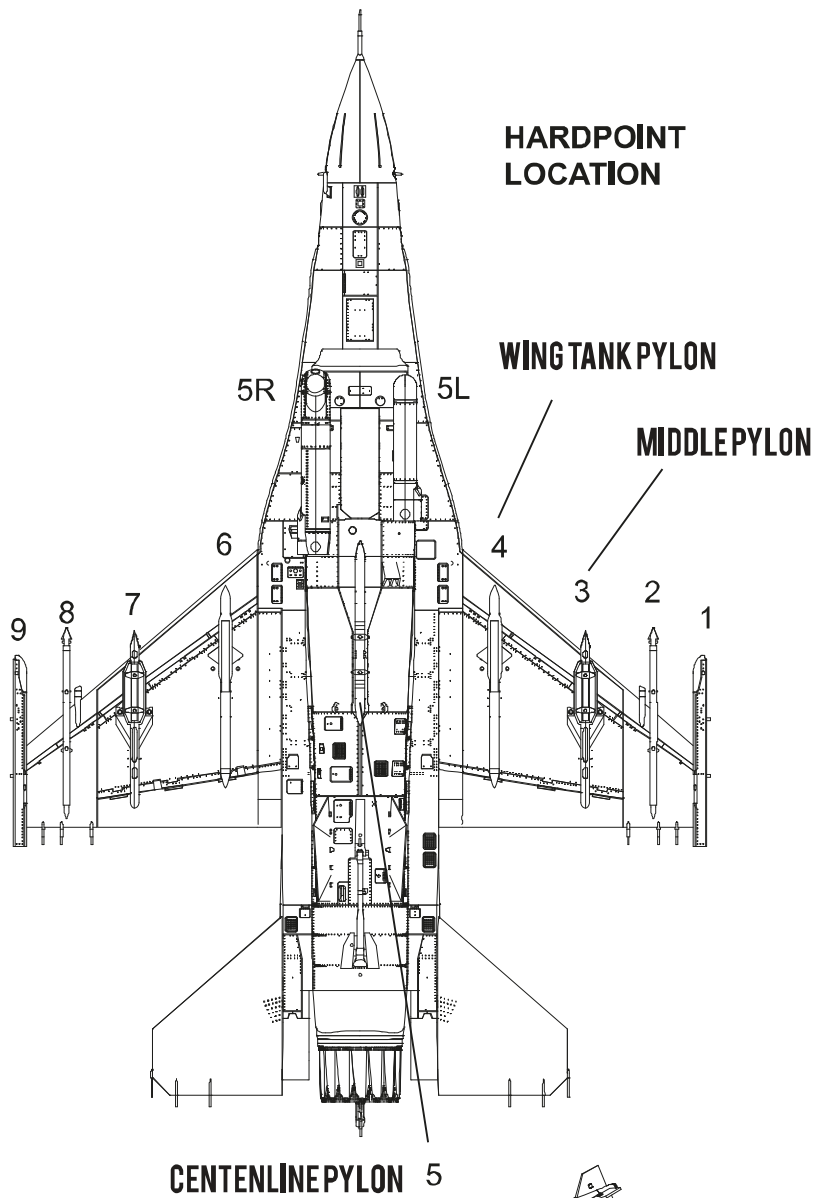
GBU-12



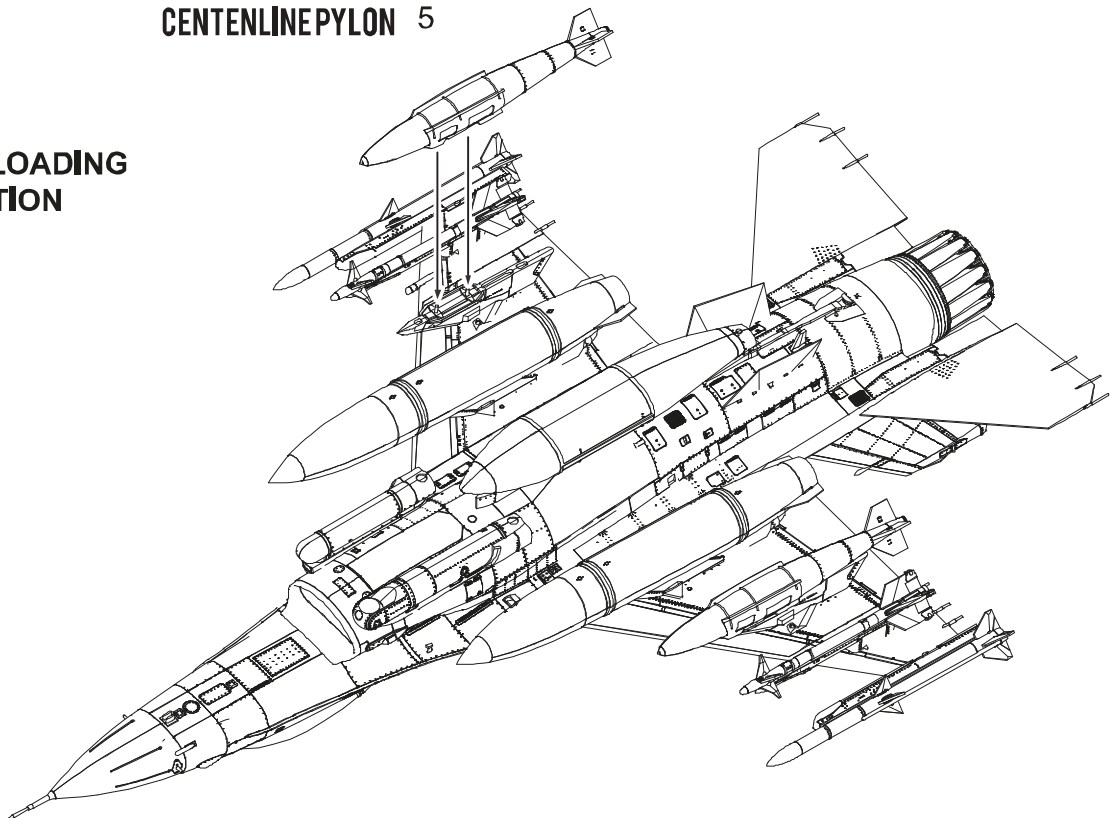
EXTERNAL STORES



Station No. Weapons	9	8	7	6	5R	5	5L	4	3	2	1
16S210 (W/AIM-9M only)	●	●								●	●
LAU-129	●	●								●	●
AIM-9M	●	●								●	●
AIM-120	●	●								●	●
IRIS-T	●	●								●	●
GBU-12			●						●		
GBU-12 (W/TER)			● ●						● ●		
GBU-31			●						●		
370gal. Fuel tank				●				●			
300gal. Fuel tank						●					
SNIPER XR					●						

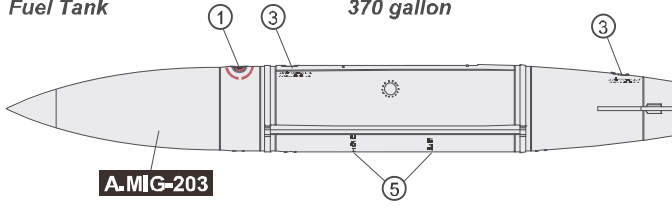


WEAPON LOADING ILLUSTRATION

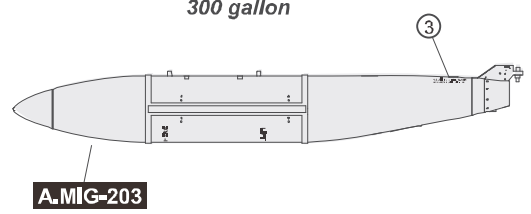


Fuel Tank

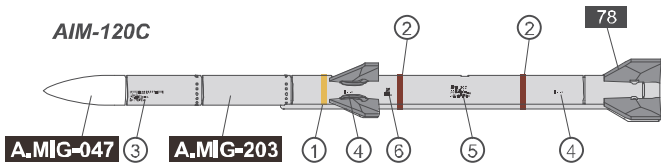
370 gallon



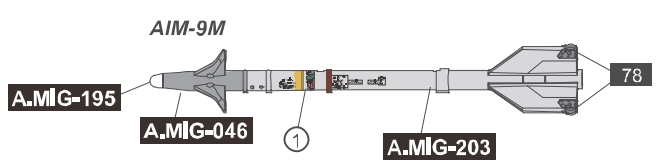
300 gallon



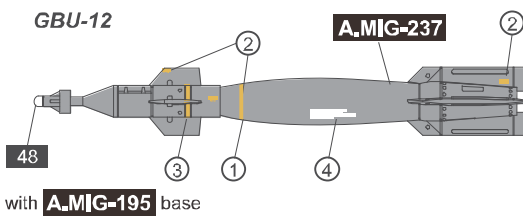
AIM-120C



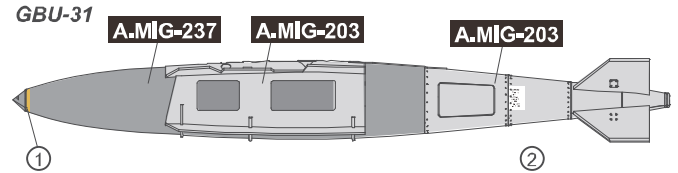
AIM-9M



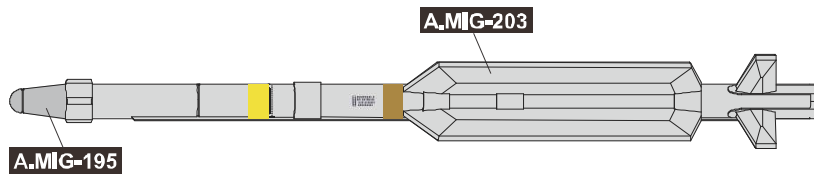
GBU-12



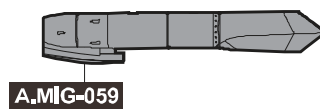
GBU-31



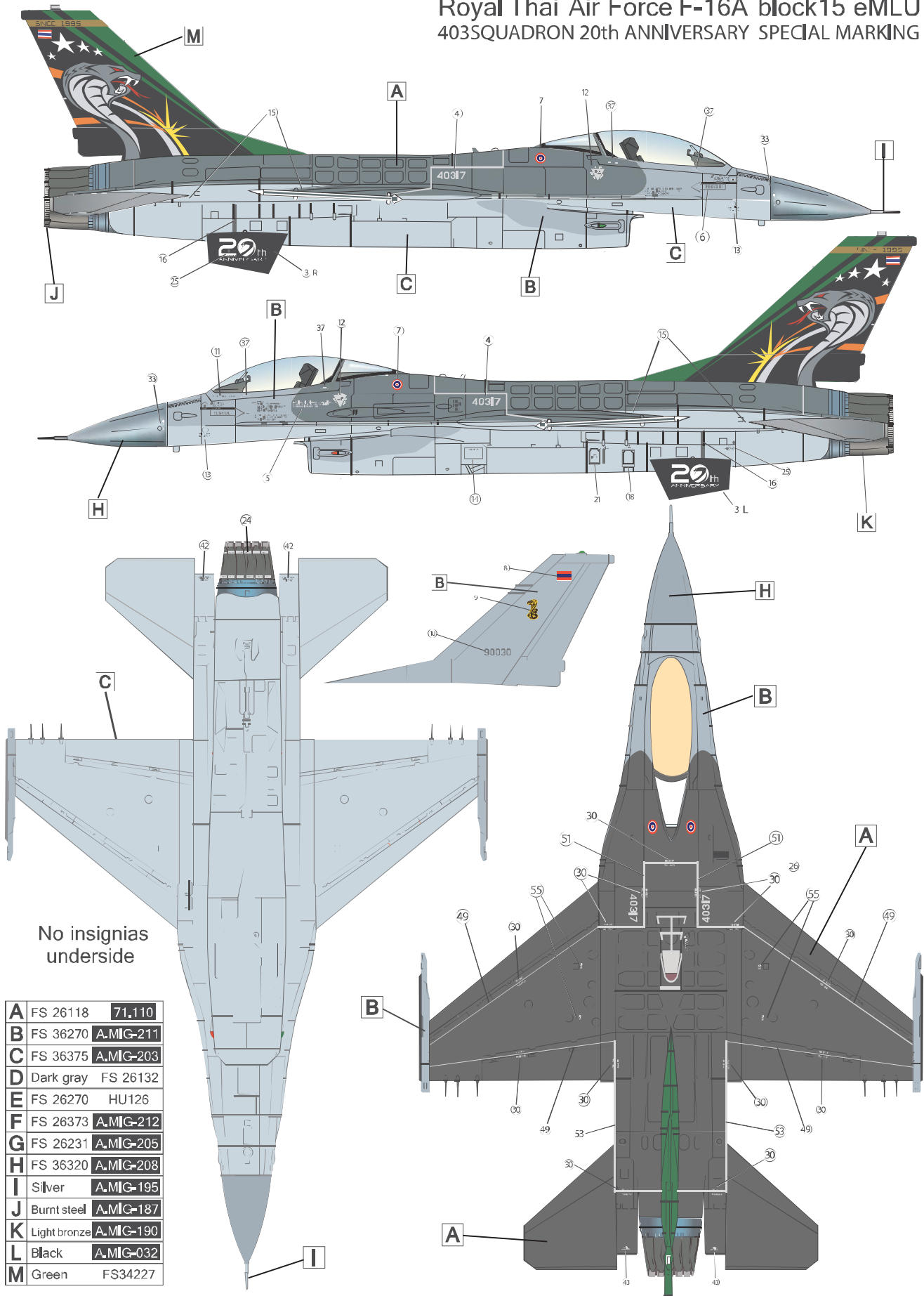
IRIS - T MISSILE



AAQ-33



Royal Thai Air Force F-16A block15 eMLU
403SQUADRON 20th ANNIVERSARY SPECIAL MARKING



No insignias
underside

A	FS 26118	71,110
B	FS 36270	A.MIG-211
C	FS 36375	A.MIG-203
D	Dark gray	FS 26132
E	FS 26270	HU126
F	FS 26373	A.MIG-212
G	FS 26231	A.MIG-205
H	FS 36320	A.MIG-208
I	Silver	A.MIG-195
J	Burnt steel	A.MIG-187
K	Light bronze	A.MIG-190
L	Black	A.MIG-032
M	Green	FS34227