

JU-87 B-2 "STUKA"

Detail complementary set for HASEGAWA kit

RESIN PARTS

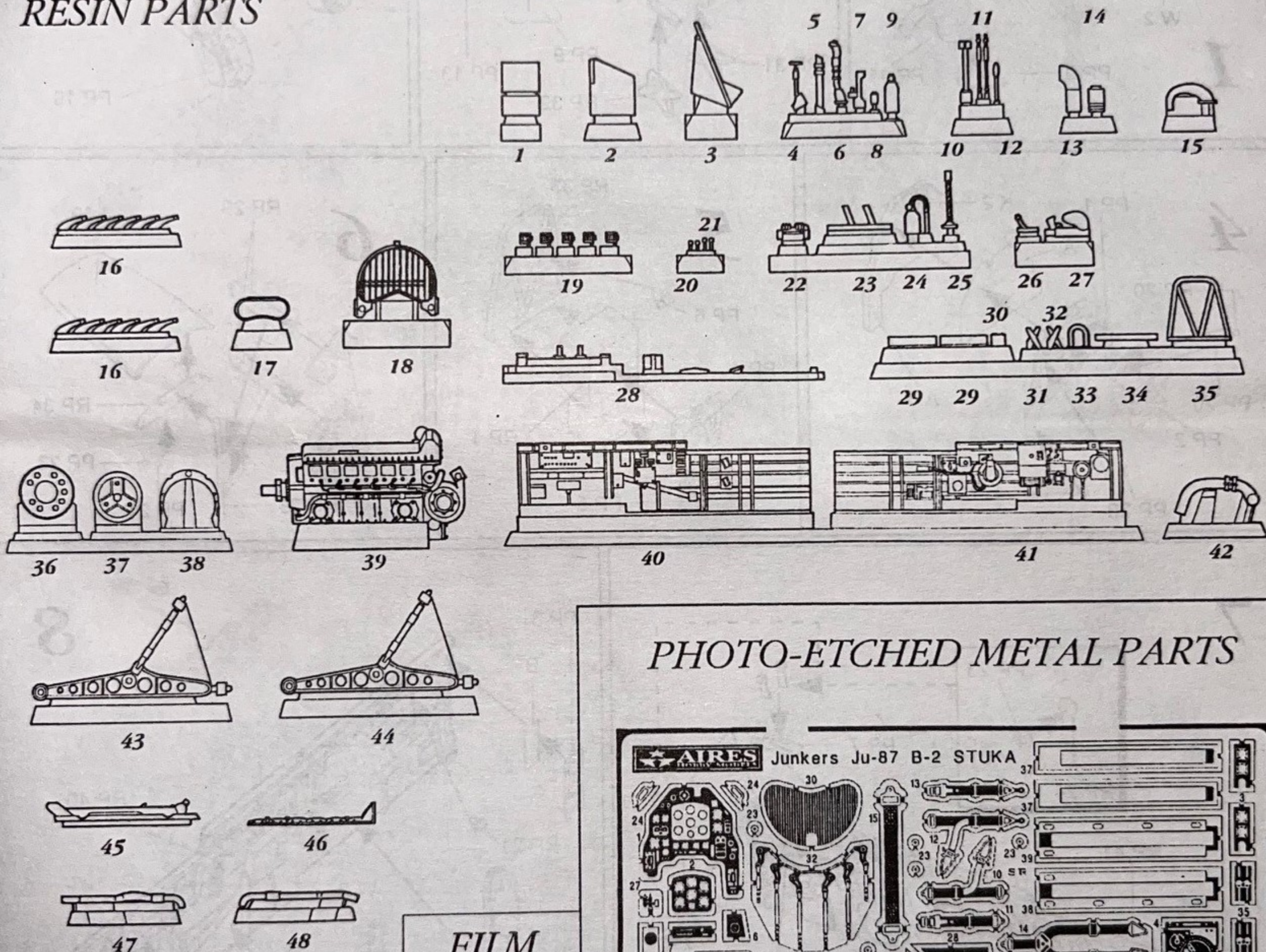
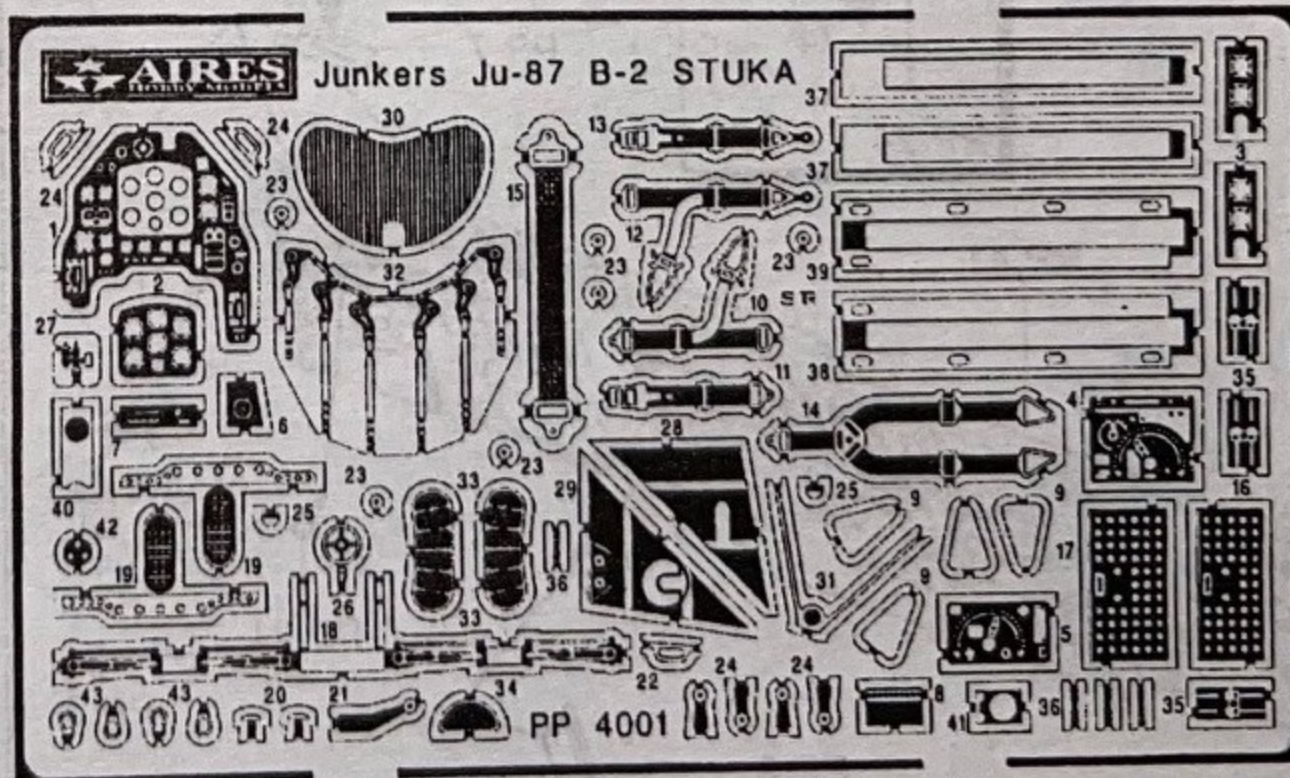
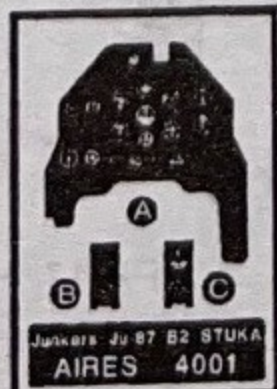


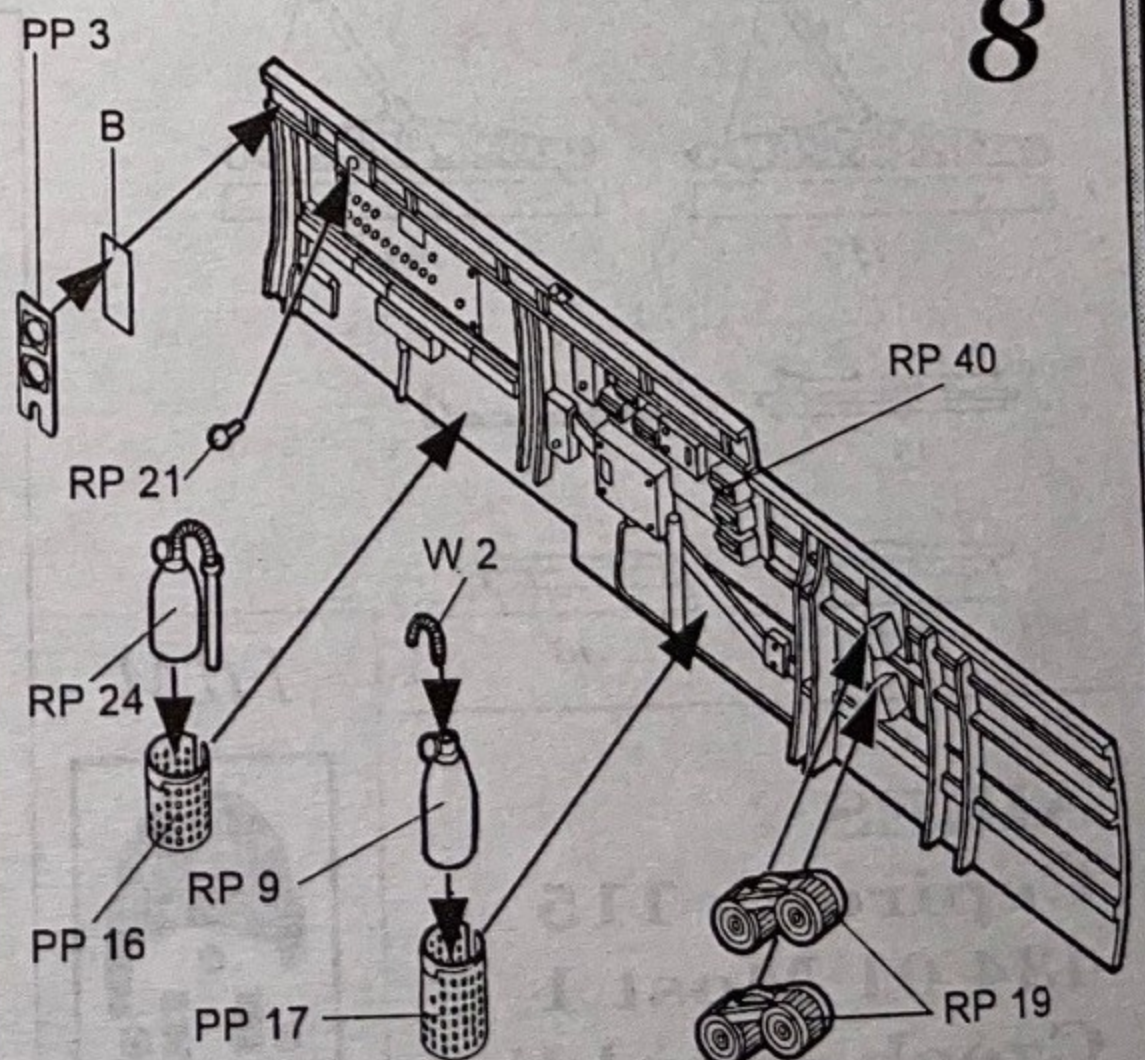
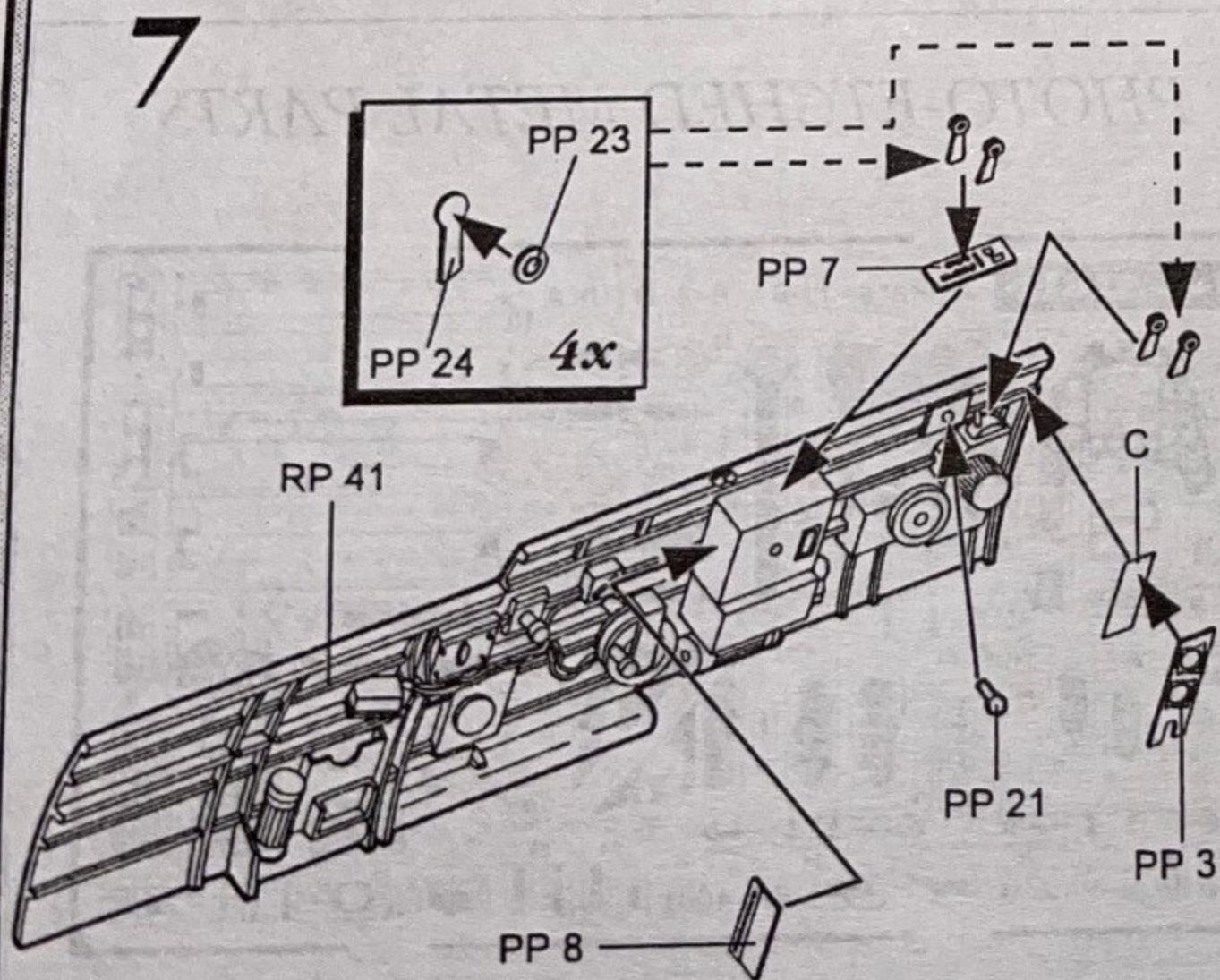
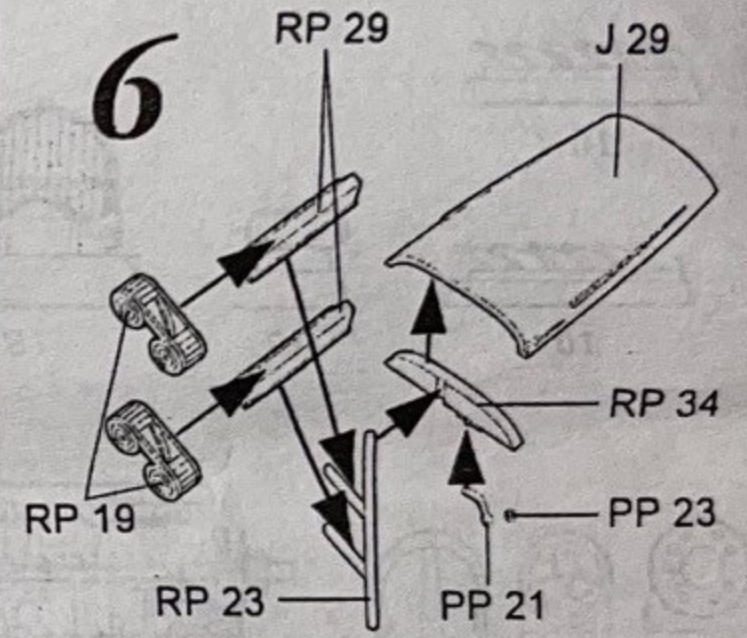
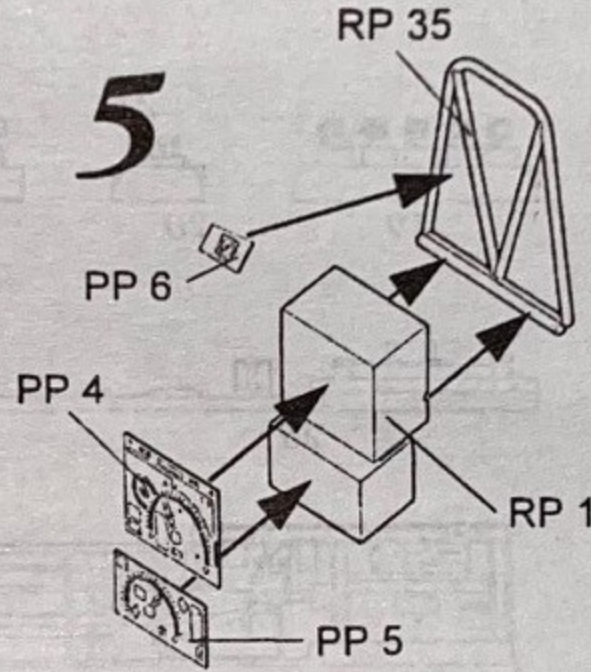
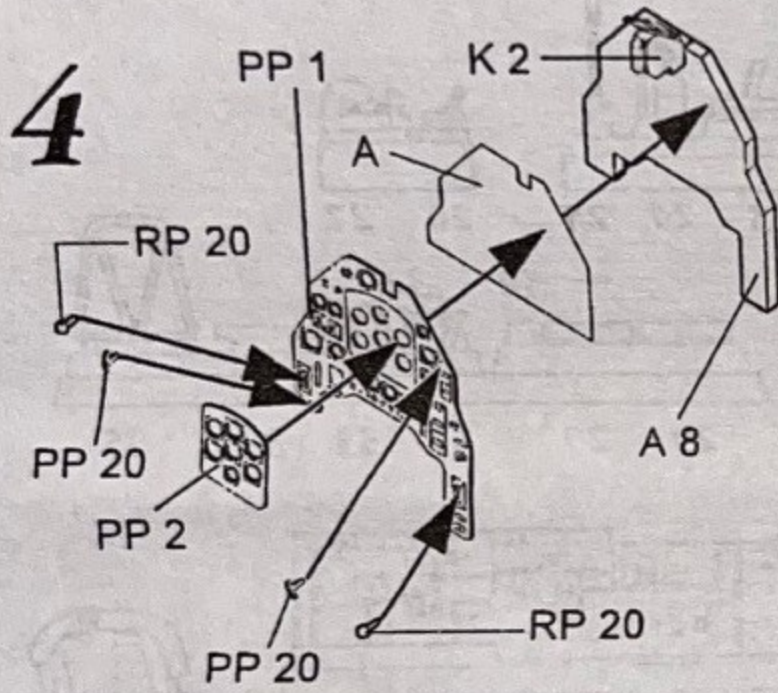
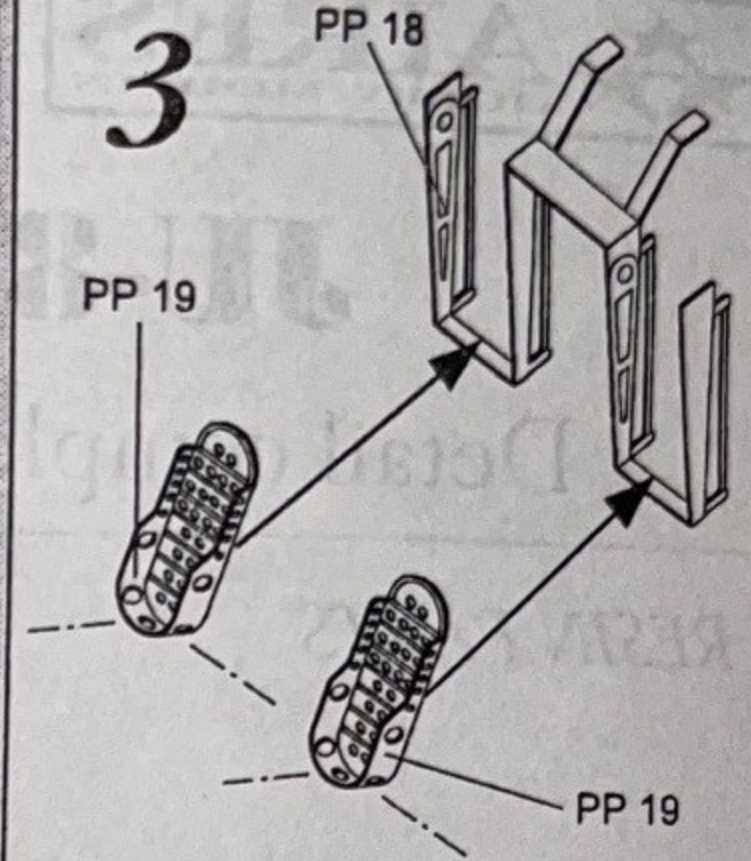
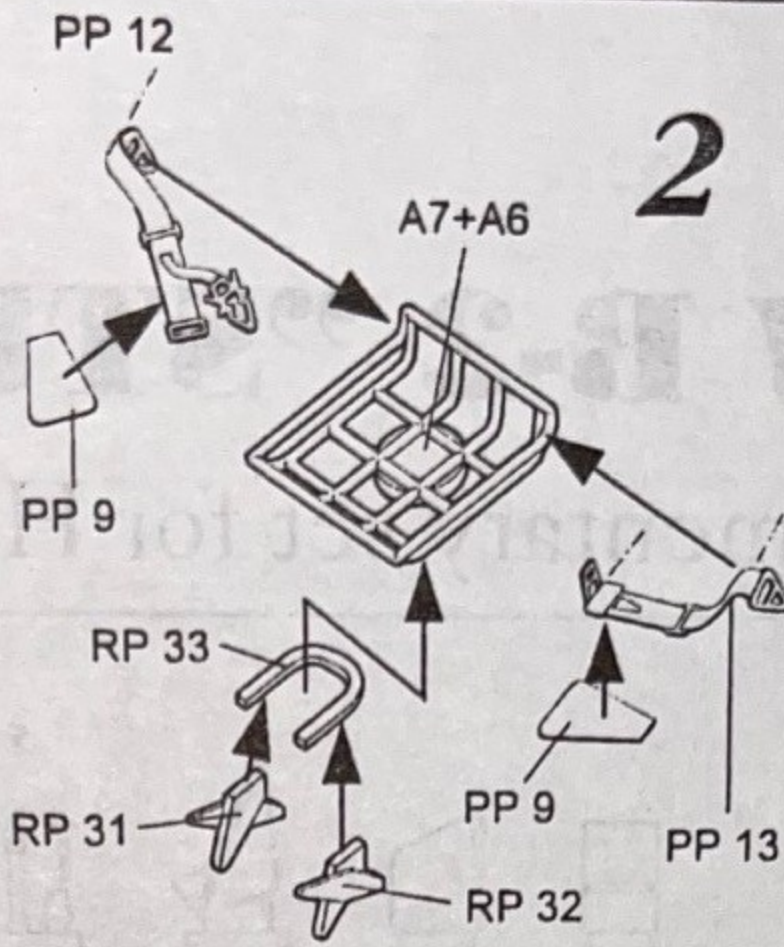
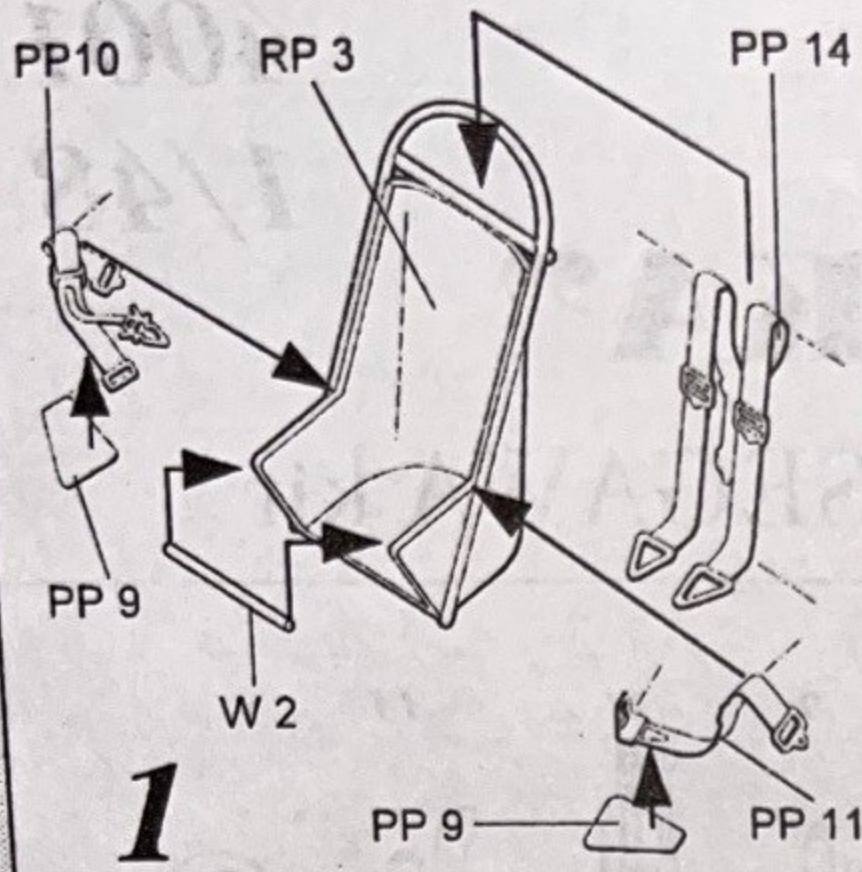
PHOTO-ETCHED METAL PARTS



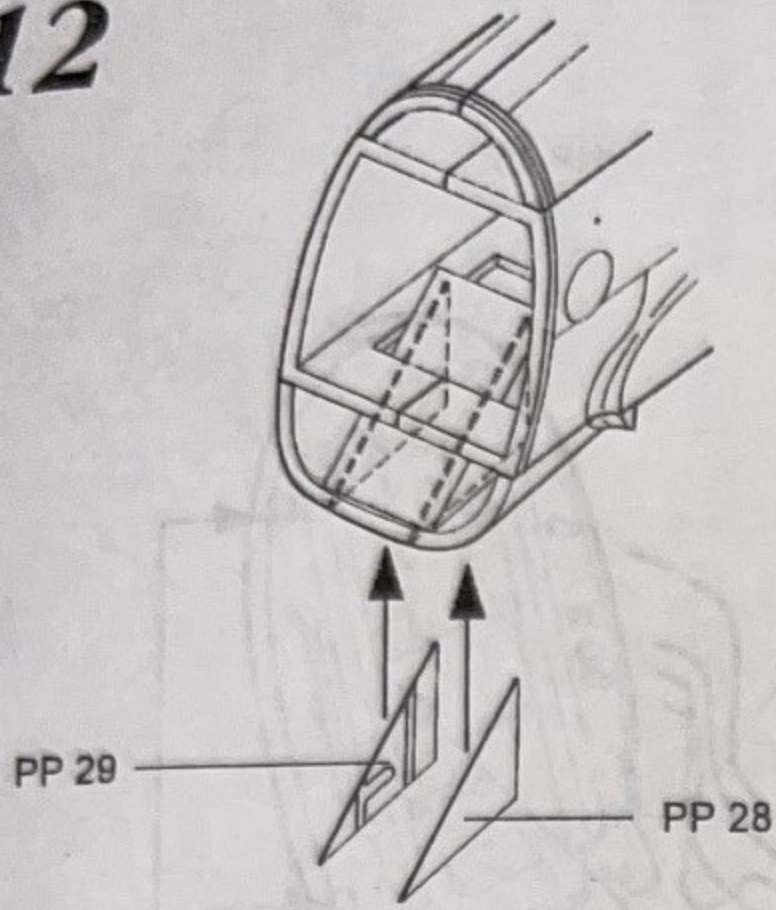
FILM



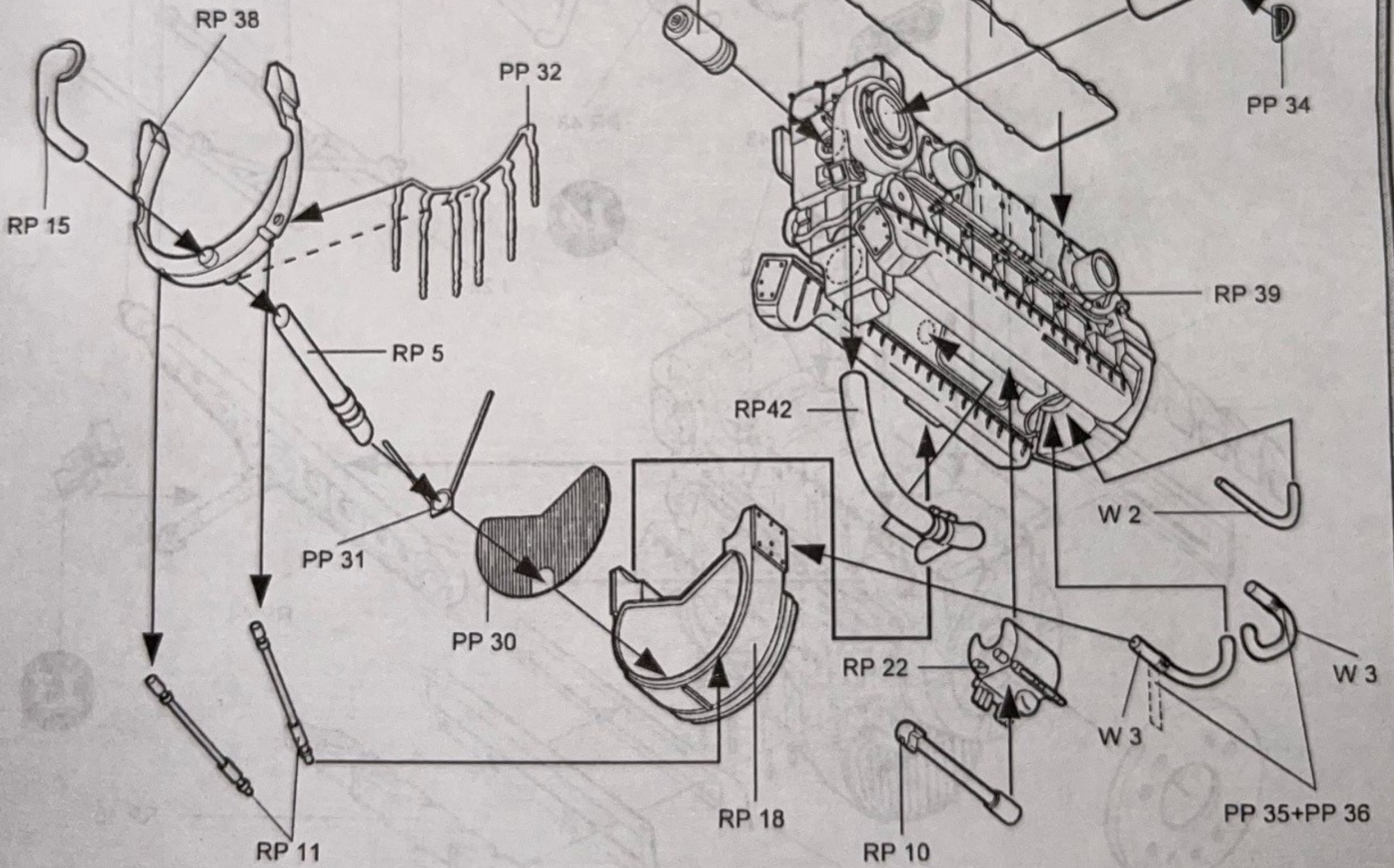
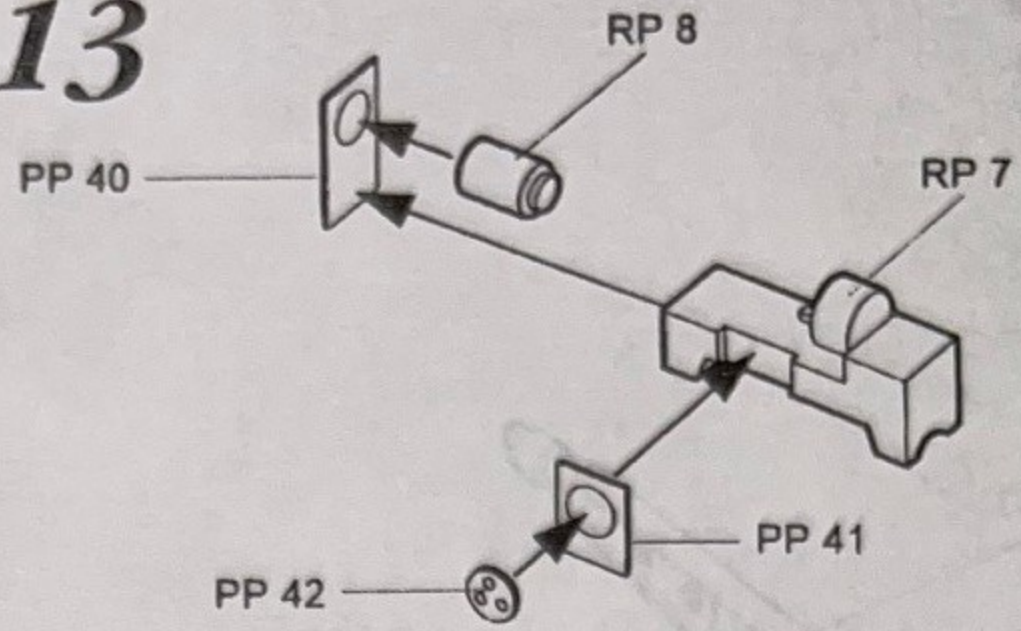
AIRES
Čepirohy 115
434 01 Most 1
Czech republic



12

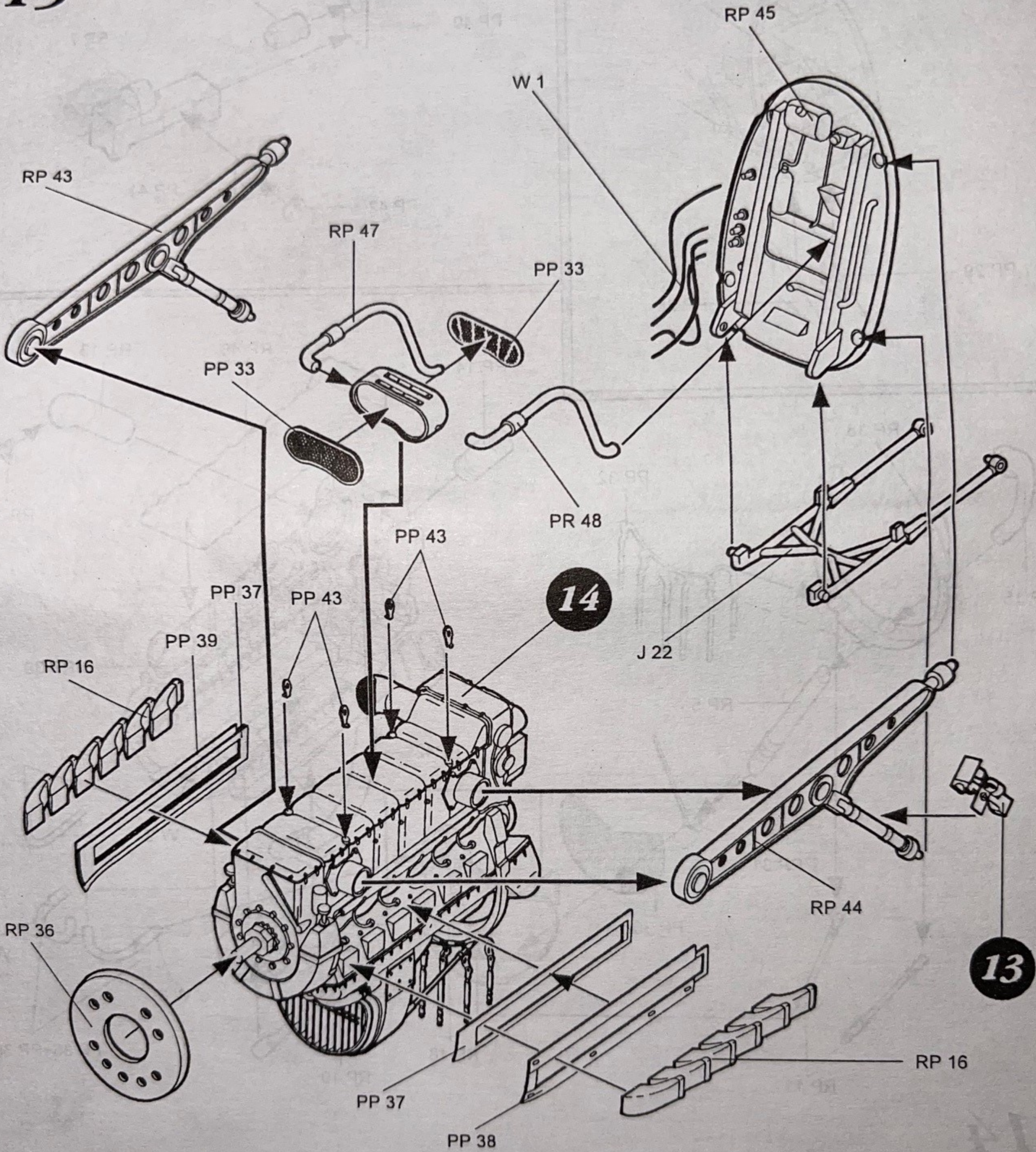


13



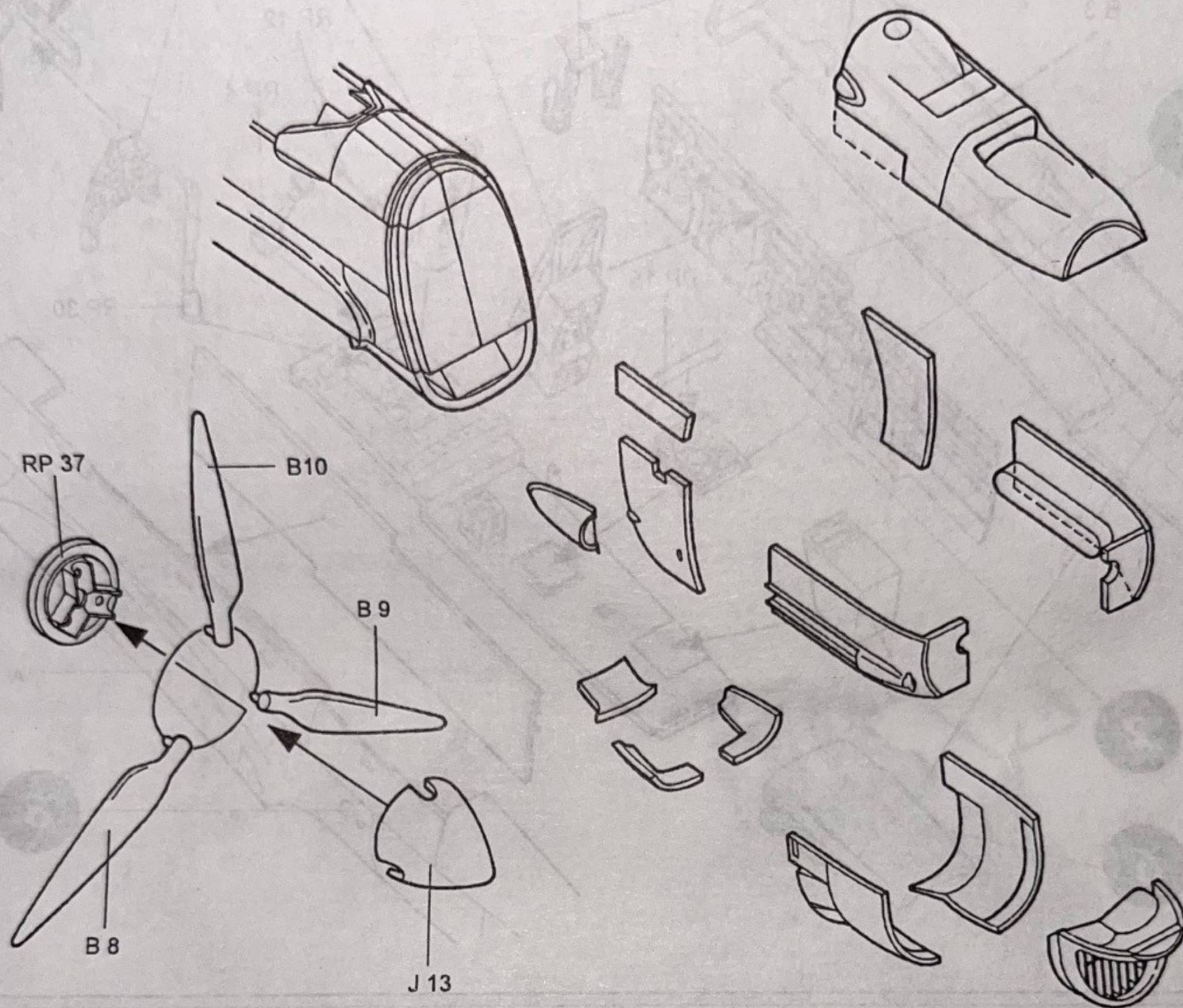
14

15



16

THE SCHEME FOR PLACING OF THE PANELS



This kit is suitable only for experienced modellers.

Remove the carrier [sprue] thoroughly. Be very careful not to damage small parts.

The proper tools to handle resin carriers are: sharp knife with a new blade, x-acto handsaw, files, sandpaper and some scotch brite to clean the surfaces.

The resin material is temperature sensitive. Heat can warp some parts. We recommend placing the affected parts in hot water for 1 to 5 minutes or until part has reached the proper shape. Then place the part to cold water to stabilize the shape.

For gluing please use only adhesive or a cyanocrylate glue.