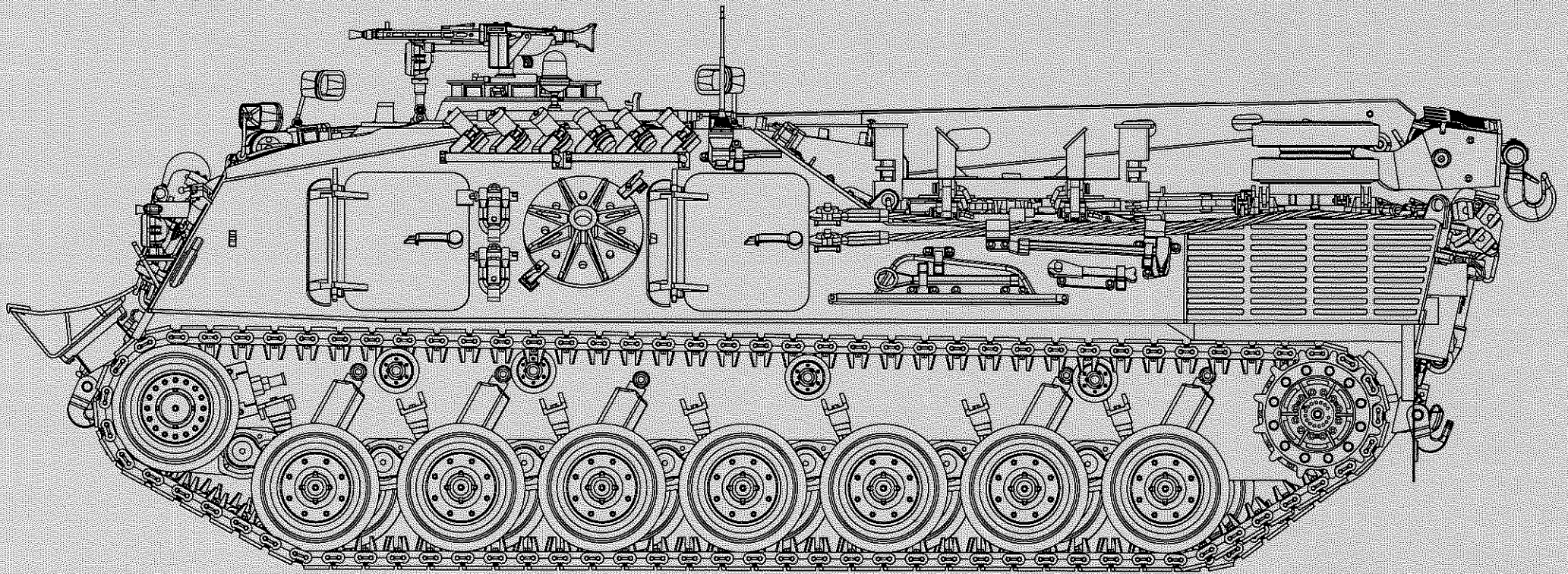


BERGEPANZER 2A2



Based on the German Leopard 1 tank, the Bergepanzer 2 armored recovery vehicle was designed to ensure the mobility of armored forces by recovering & repairing damaged and broken-down Leopard tanks. These vehicles are operated by the logistical forces and tank grenadier companies of the Bundeswehr, as well as foreign operators of the Leopard 1 tank. Weighing in at 40.8 tons, some 480 units were produced between 1965-1969.

The vehicle is operated by a crew of 4: the commander, driver, machine gunner and radio operator. The welded construction offers the same protection as the Leopard 1, with 25-35mm thick armor at the sides and 10mm armor on the roof and offers NBC protection and a fire warning & suppression system. Combat protection is provided by a bow-mounted MG-3 and a roof-mounted MG-3AA gun, and six 76mm smoke grenade launchers. The Bergepanzer 2 is powered by an 830hp 10-cylinder MTU MB 838 CaM-500 multi-fuel engine pack reaching a top speed of 62 km/h with a range of 850km.

The vehicle is equipped with a boom for lifting turrets & engines in & out of tanks, as well as a spade & winch system for recovering bogged down vehicles. Produced in 1977-78, the Bergepanzer 2 A2 was developed to service the heavier turrets of the Flakpanzer Gepard and the Leopard 2 and features a hydraulic stabilizer on the rear right corner.

READ BEFORE ASSEMBLY

CAUTION

PAINTS REQUIRED

- Read carefully and fully understand the instructions before commencing assembly. A supervising adult should also read the instructions if a child assembles the model.
- When assembling this kit, tools including knives used. Extra care should be taken to avoid personal injury.
- Keep out of reach of small children. Children must not be allowed to suck any part, or pull vinyl bag over their heads.

Color info and profiles by Mig Jimenez

A.MIG-0001 Rubber & Tires	A.MIG-0002 Dark Tracks	A.MIG-0003 New Wood	A.MIG-0004 Gun Metal
A.MIG-0005 Satin Black	A.MIG-0006 Silver	A.MIG-0007 Crystal Glass	A.MIG-0008 Crystal Red
A.MIG-0009 Crystal Orange	A.MIG-0010 Crystal Blue	A.MIG-0011 Nato Green	A.MIG-0012 Nato Brown
A.MIG-0013 Matt Black	A.MIG-0014 Old Wood	A.MIG-0015 Light Wood	A.MIG-0016 Gelboive RAL 6014
A.MIG-0017 Ral 1039 F9 German Sand Beige	A.MIG-0018 White Camo		



Optional



Do Not Cement



Fill Holes



Be Careful



Instant Glue
for Metal

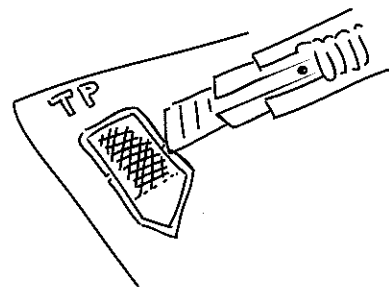


Drill

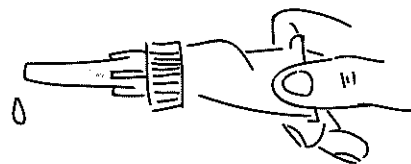
APPLYING DECALS

REMOVING PE

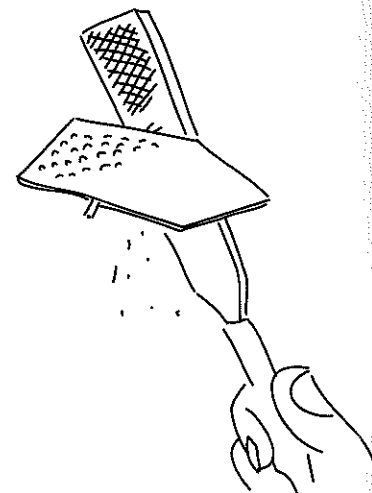
1. Clean the model surface with a wet cloth.
2. Cut out each decal design from sheet, and dip it in tepid water for 15~20 sec.
3. Hold the backing sheet edge and slide decal onto the model.
4. Move decal into position by wetting decal with finger.
5. Press decal gently down with a soft cloth until excess water and air bubbles are gone.



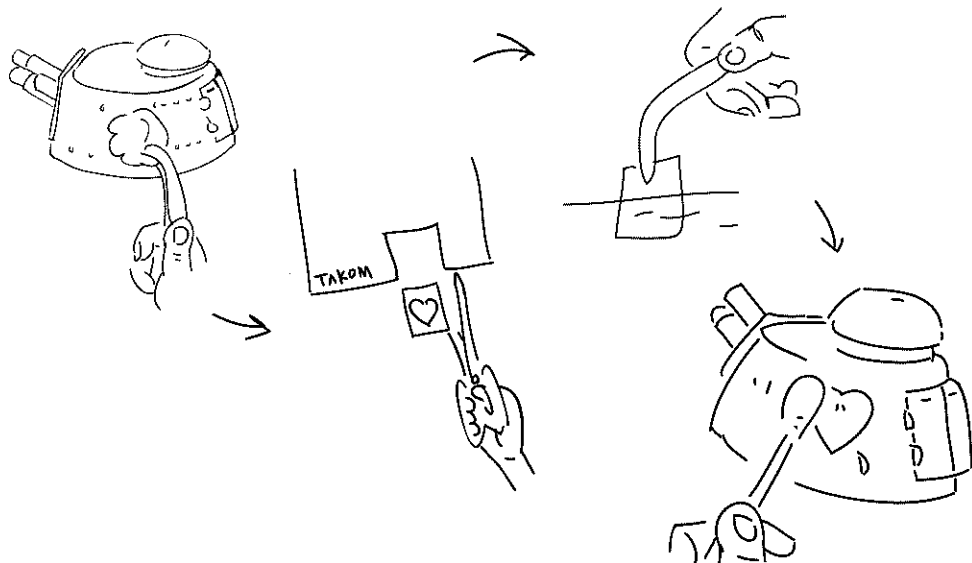
Be careful not to hurt when removing PE parts.



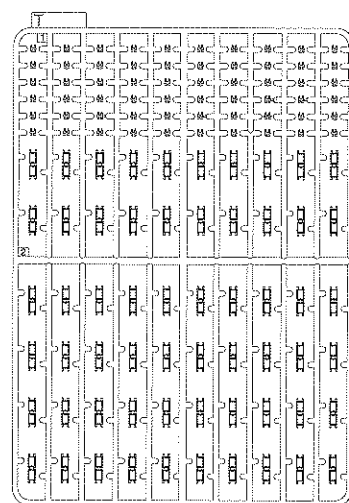
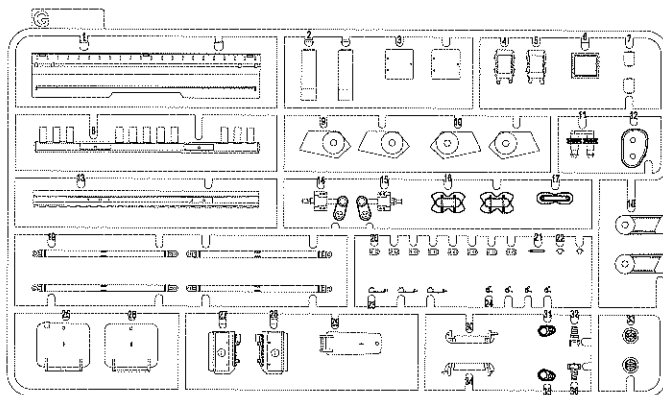
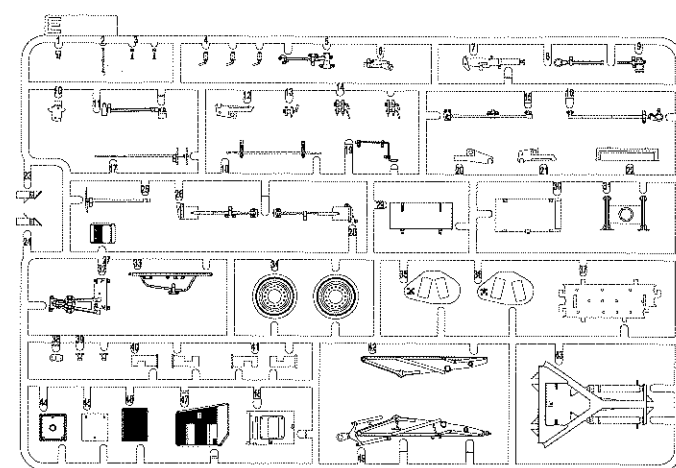
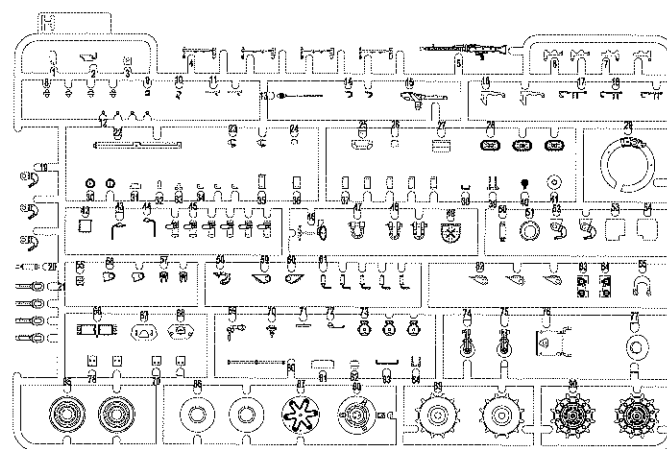
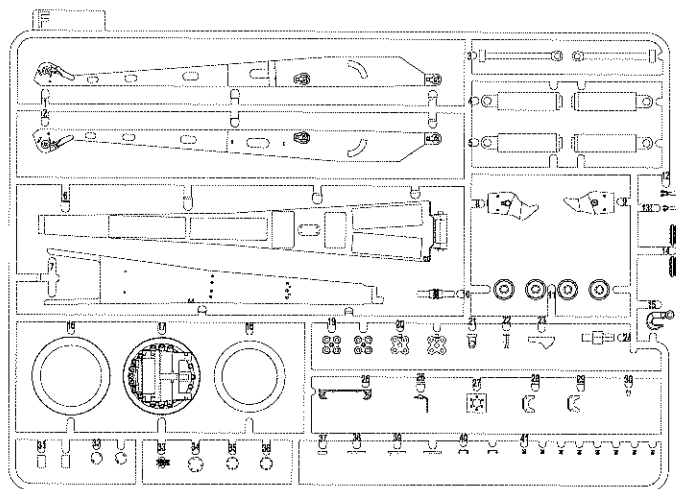
Secure using instant glue (not included).



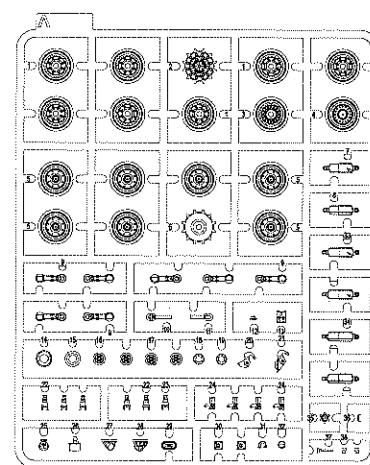
Finish using file.



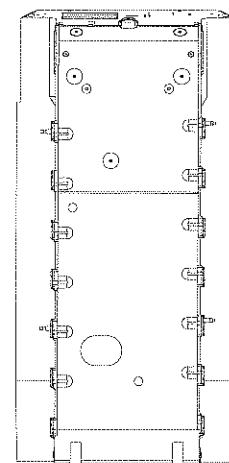
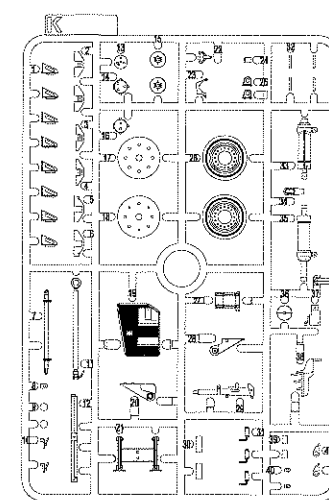
PARTS



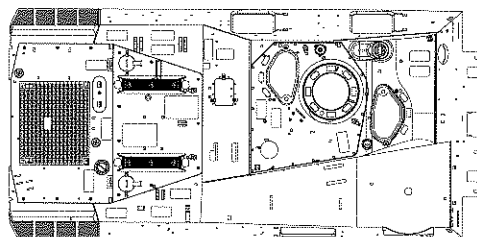
X3



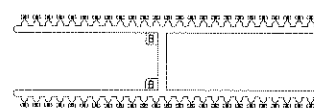
X2



Lower Hull

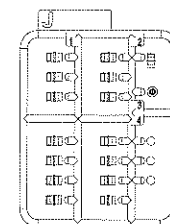


Upper Hull

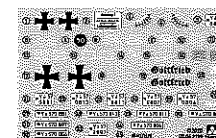
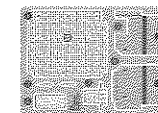


Poly Cap B X6

Nylon Rope
Cable

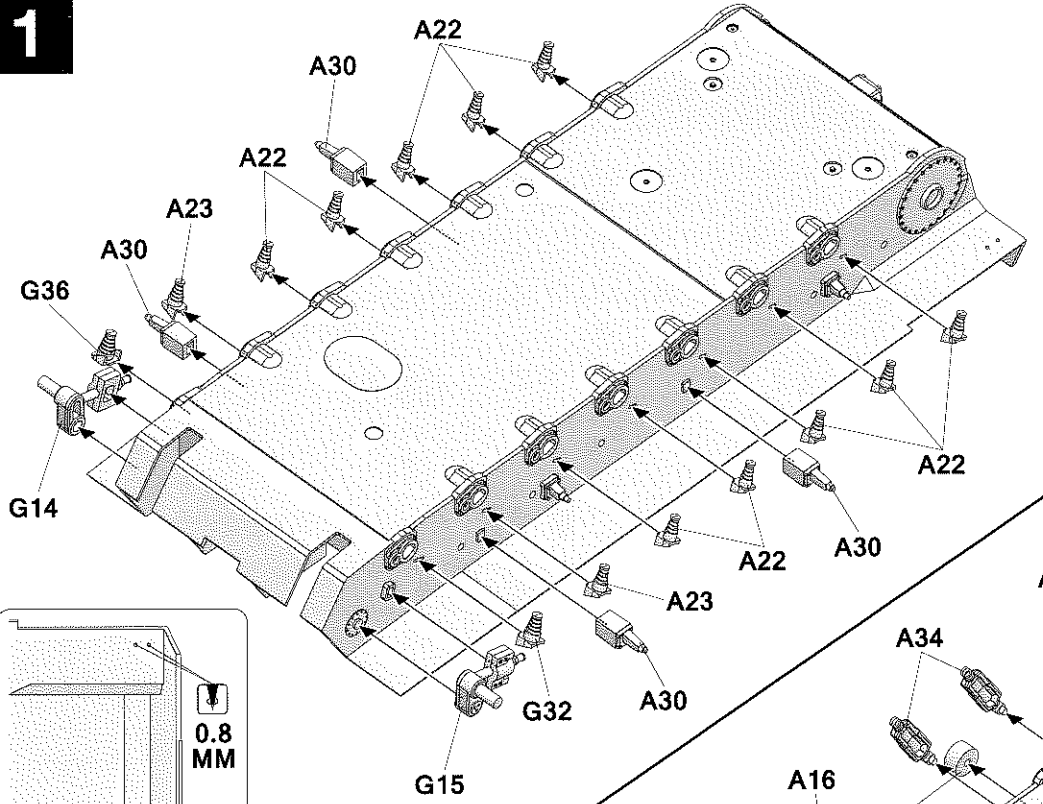


TP

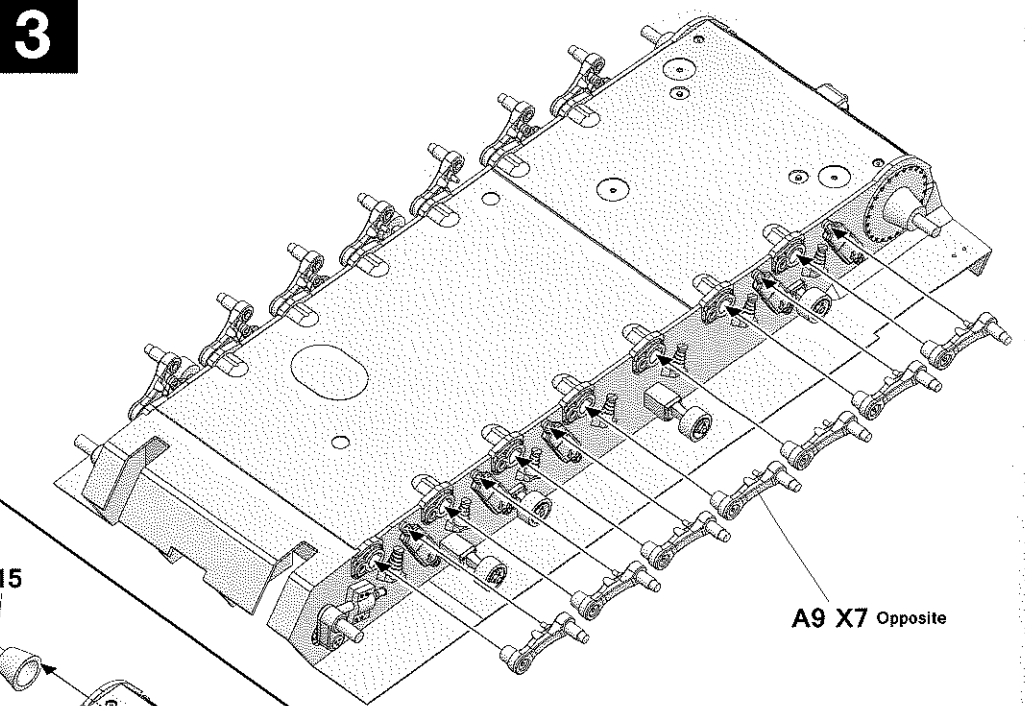


Decal

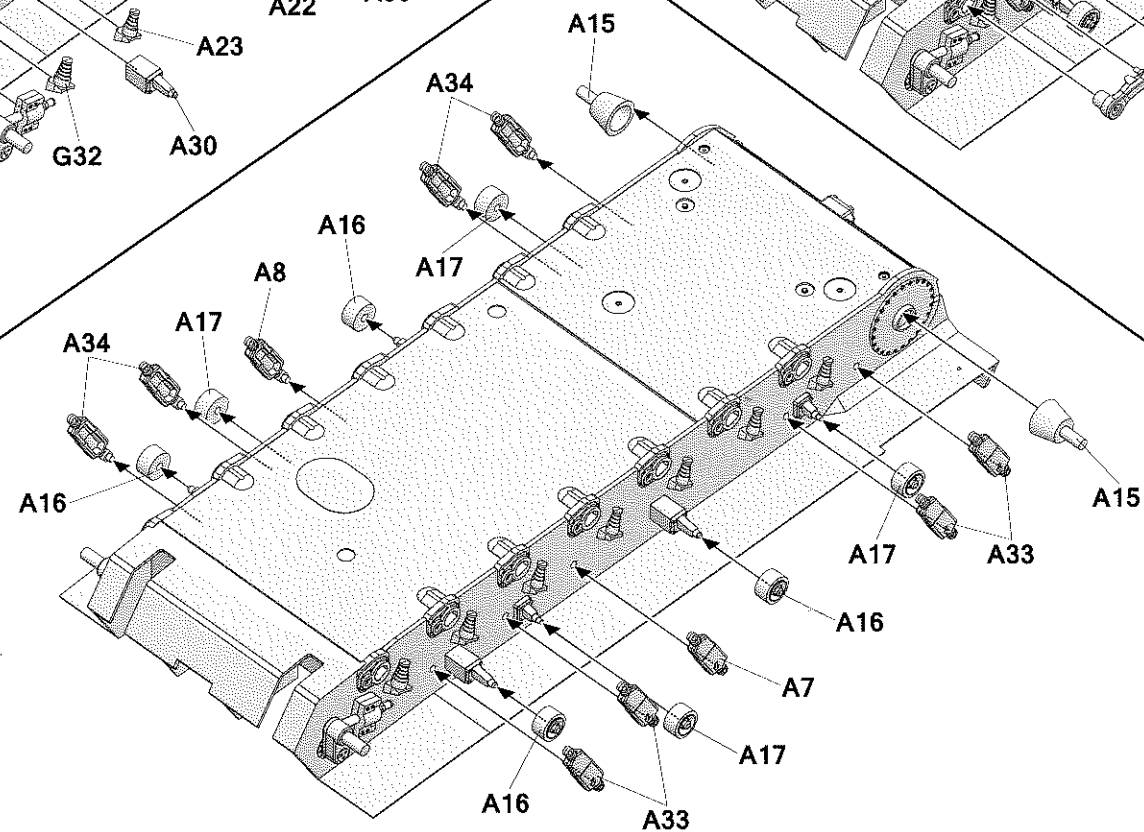
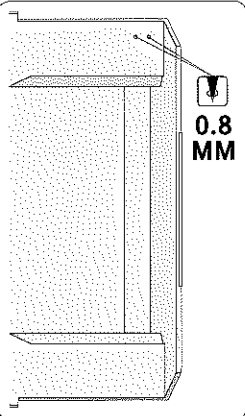
1



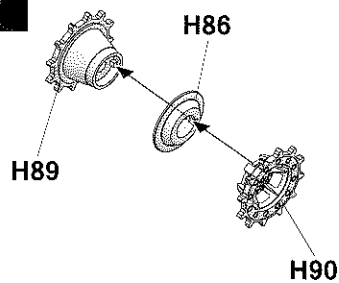
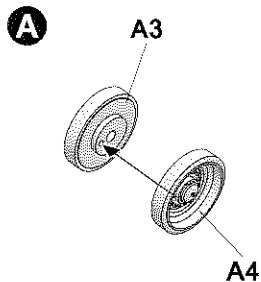
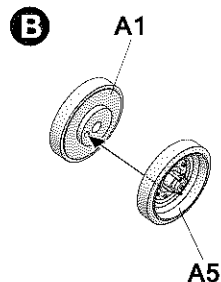
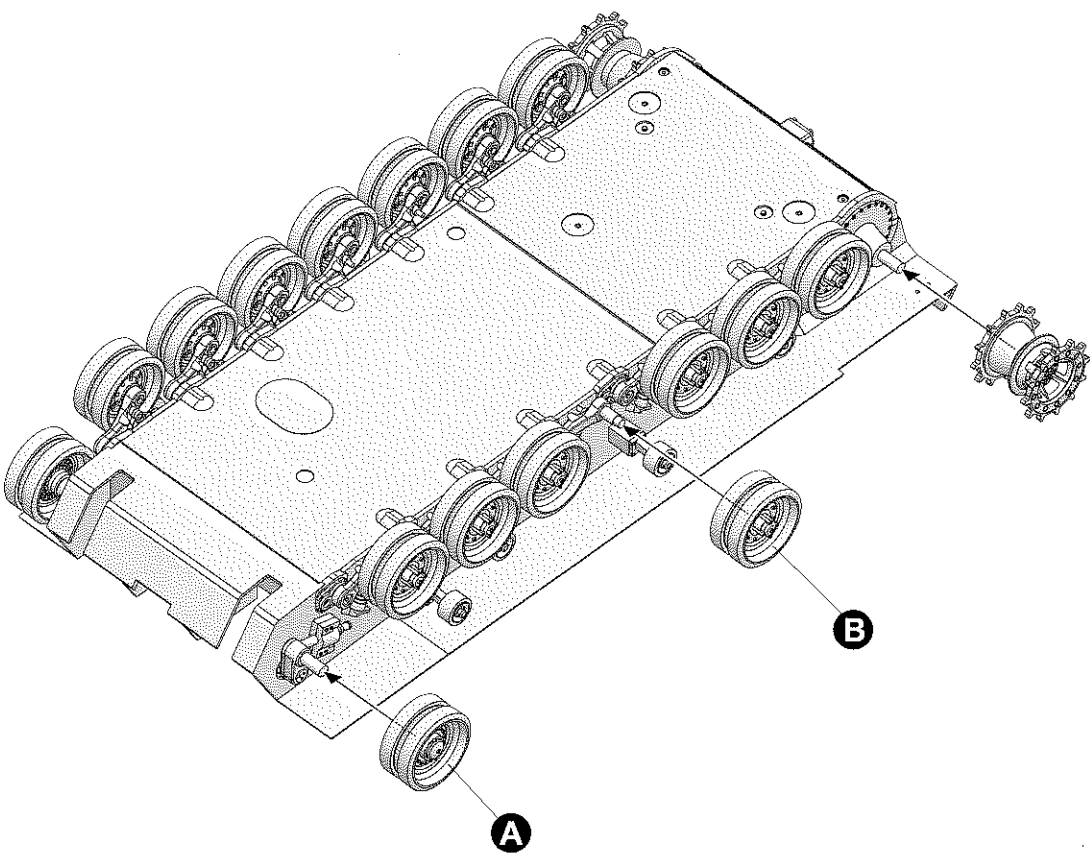
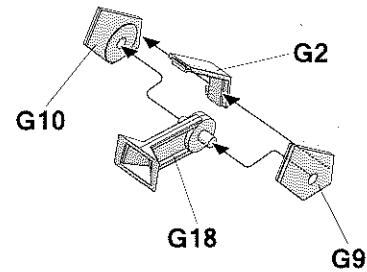
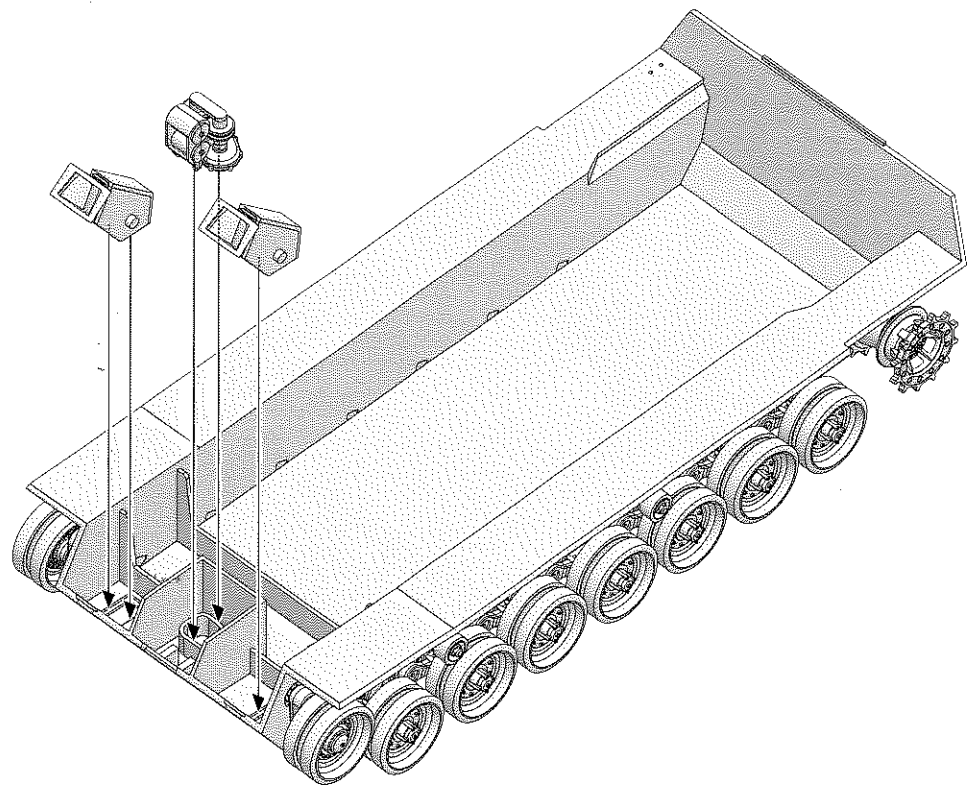
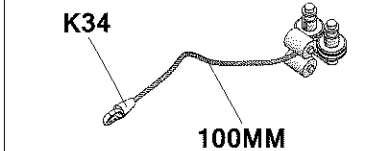
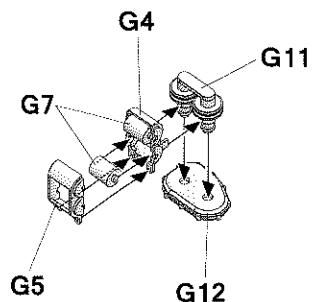
3

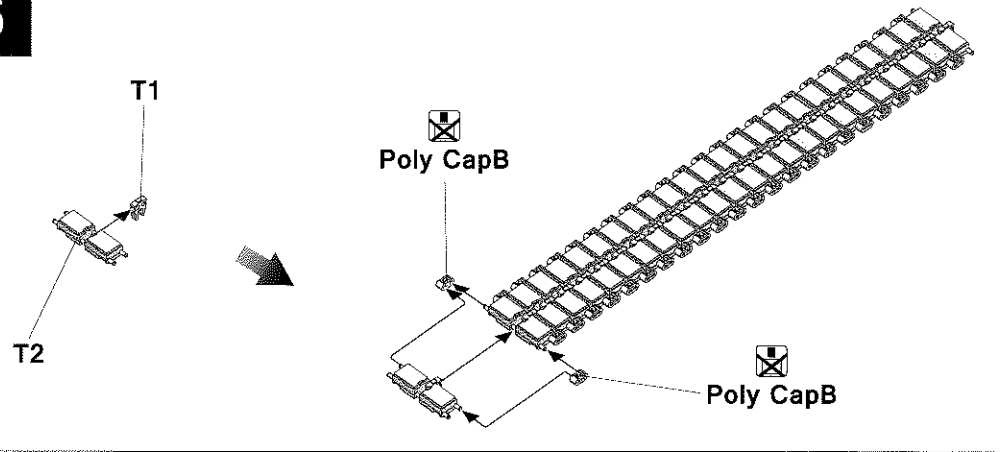
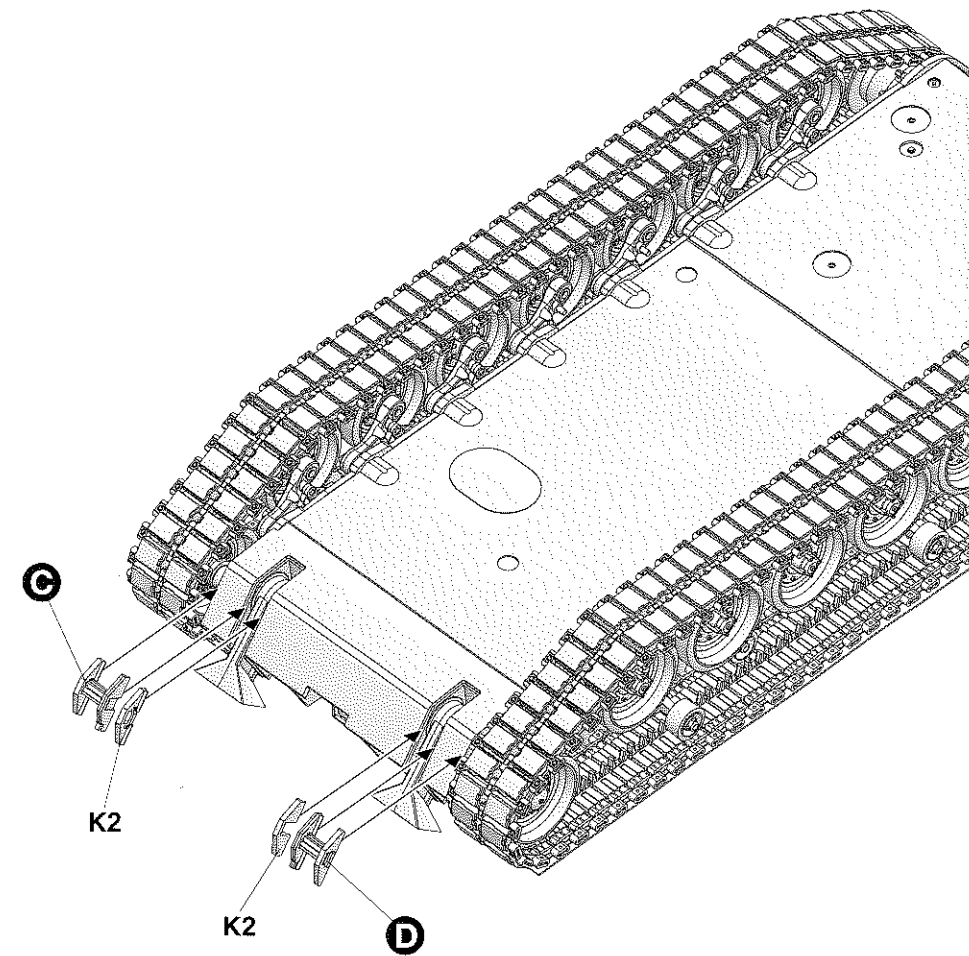
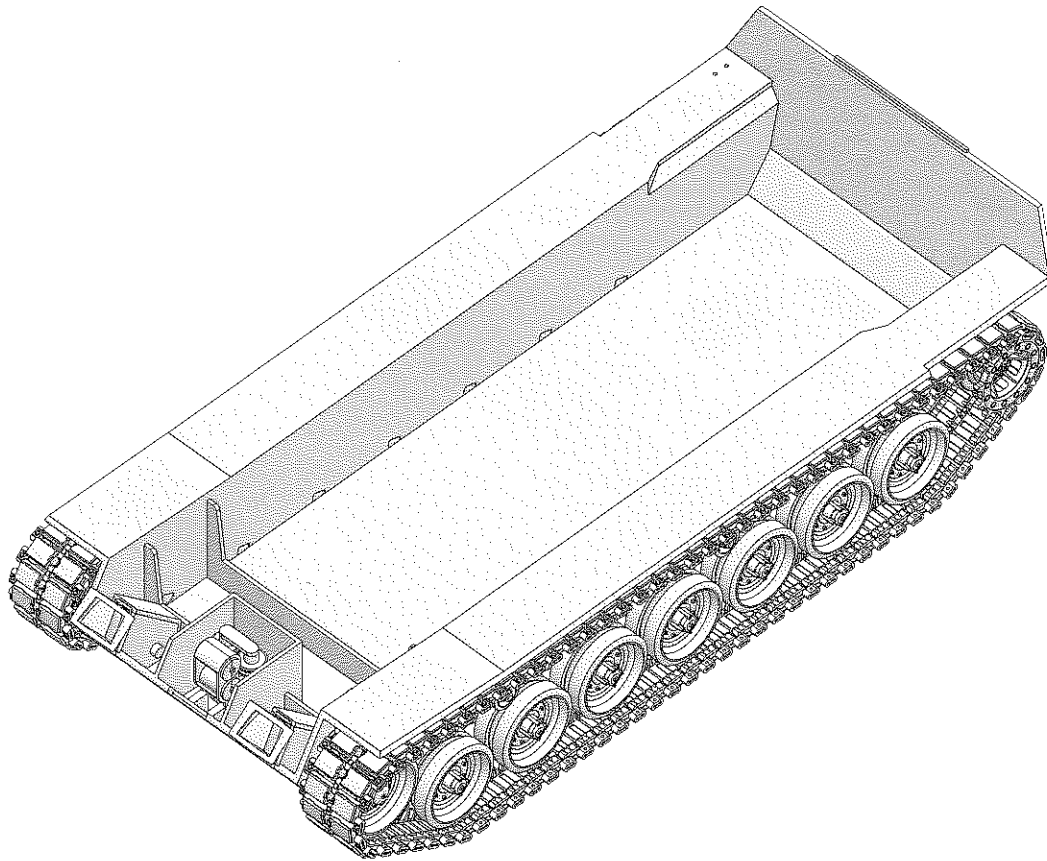
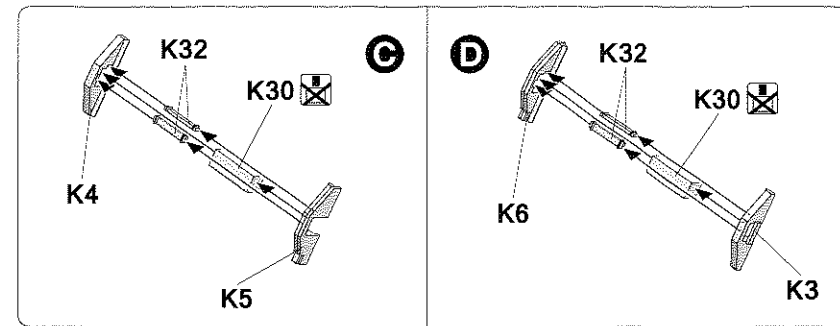


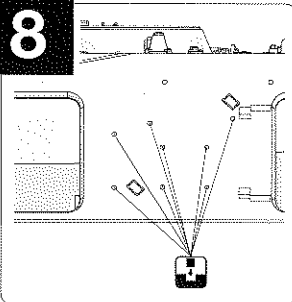
2



3

4**Make 2****Make 2****Make 14****5****Make 2**

6**7**



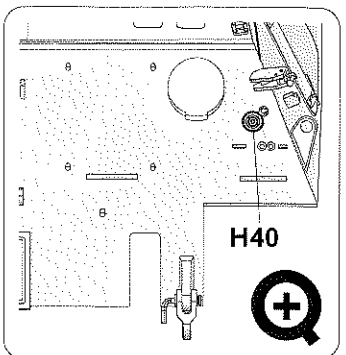
E

H62
H61
H19

Make 2

I

H45 X6
K12



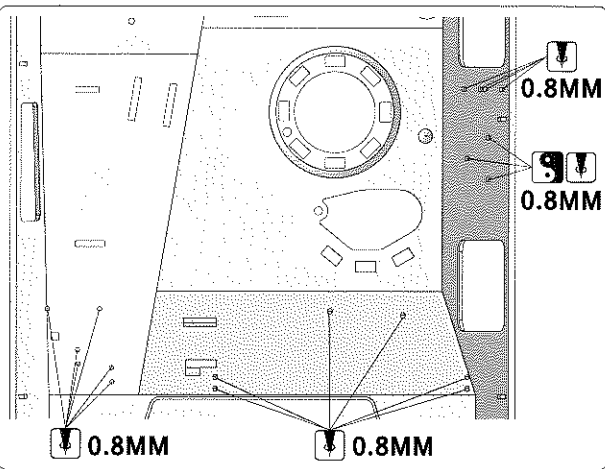
F

H62
H61
H19

G

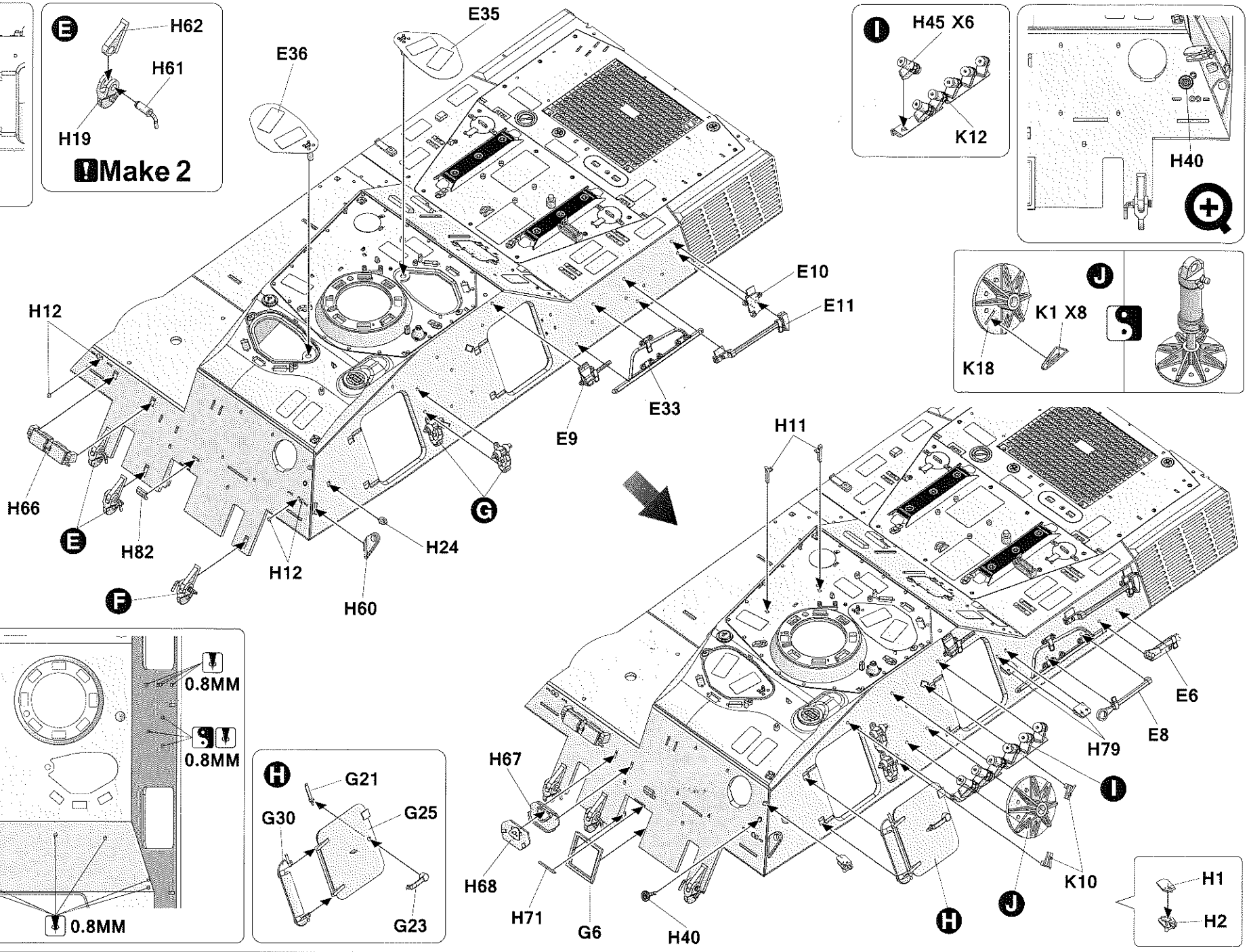
H18
H48

Make 2



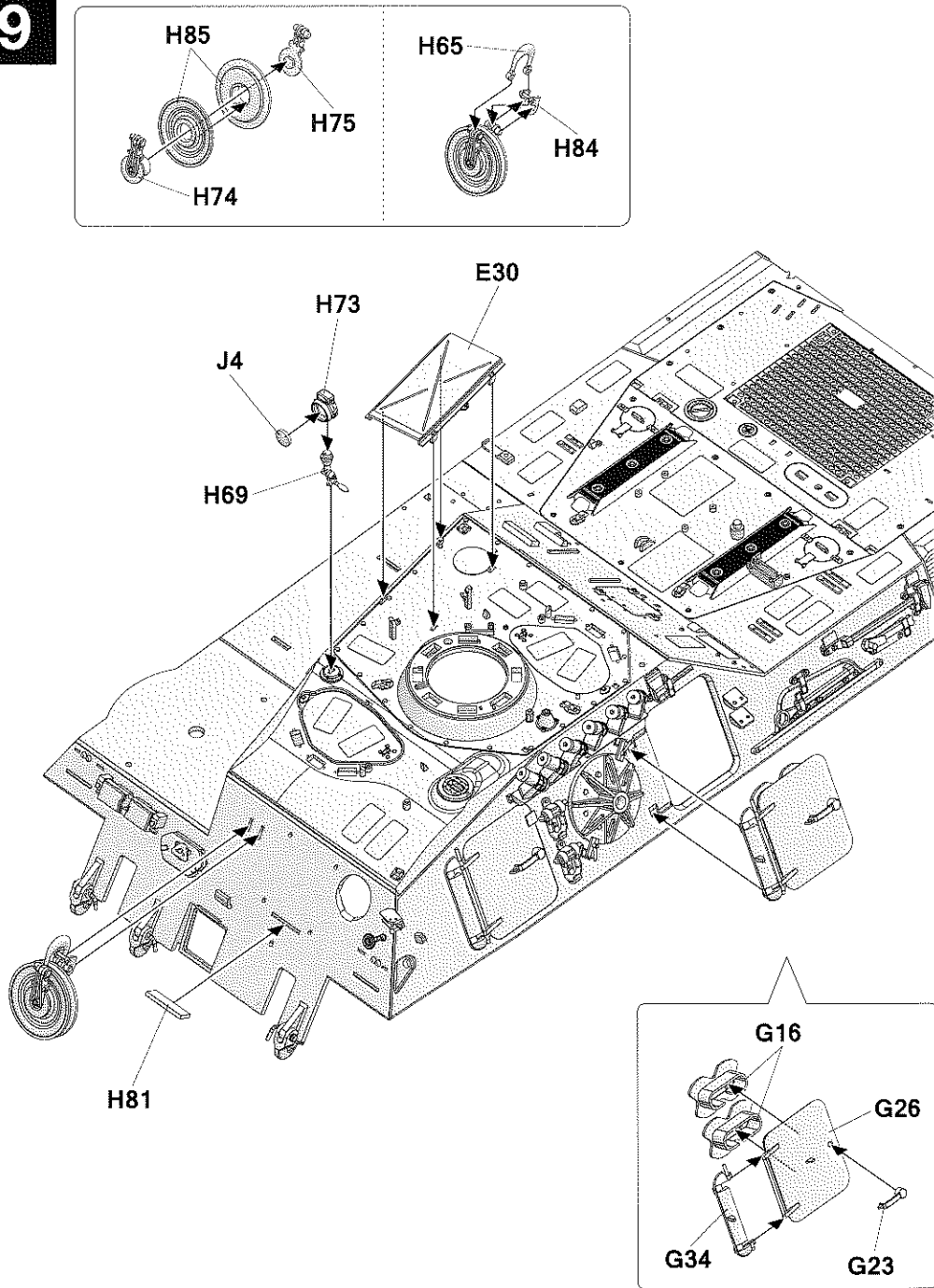
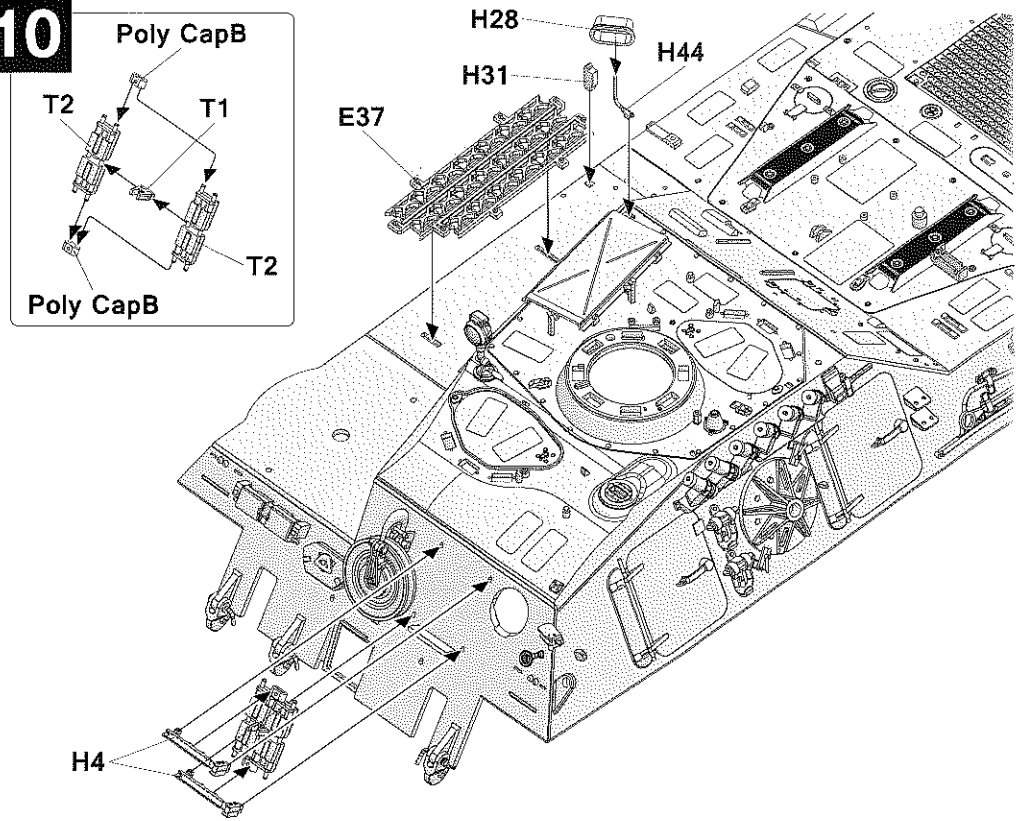
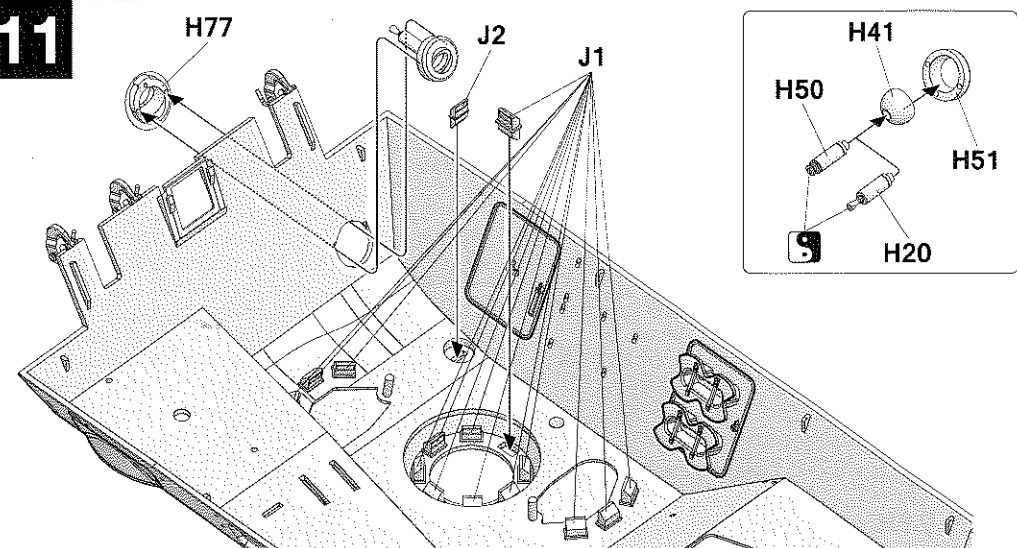
H

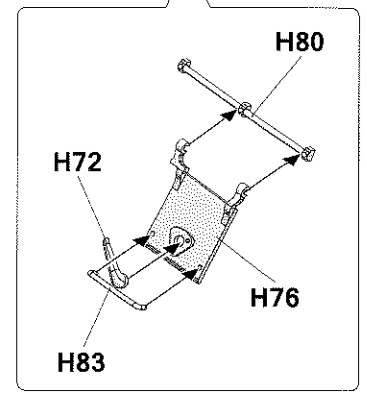
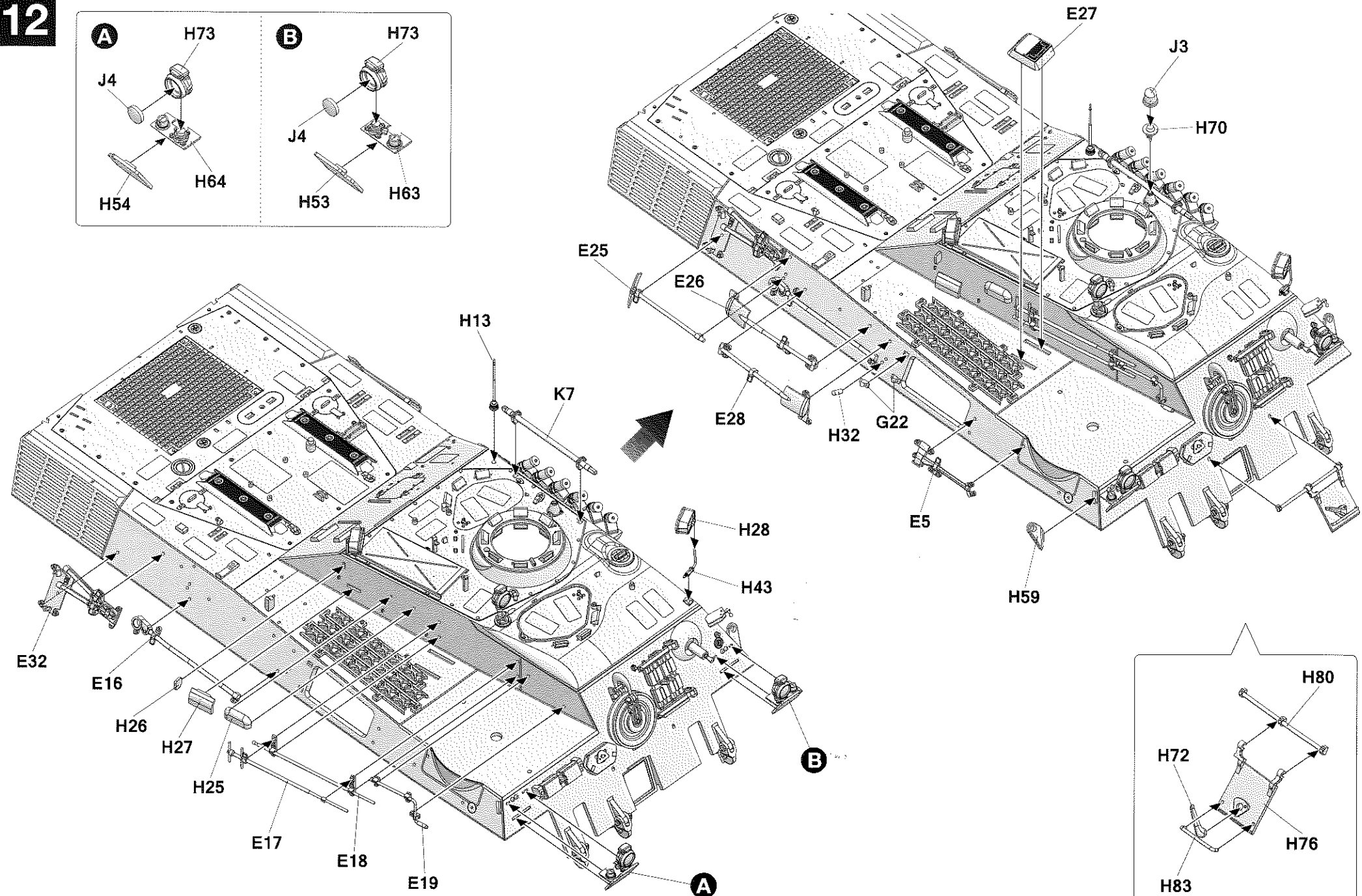
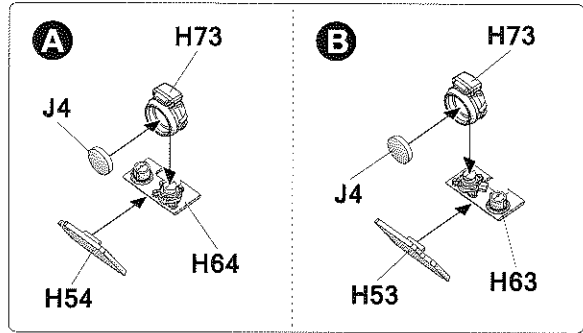
G21
G30
G25
G23



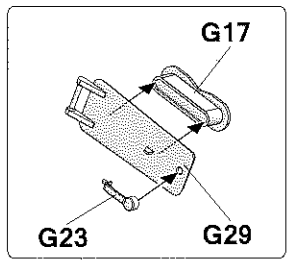
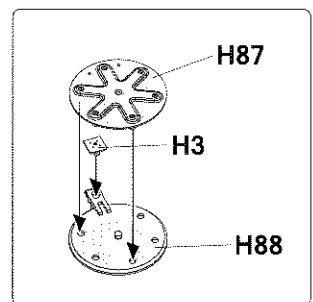
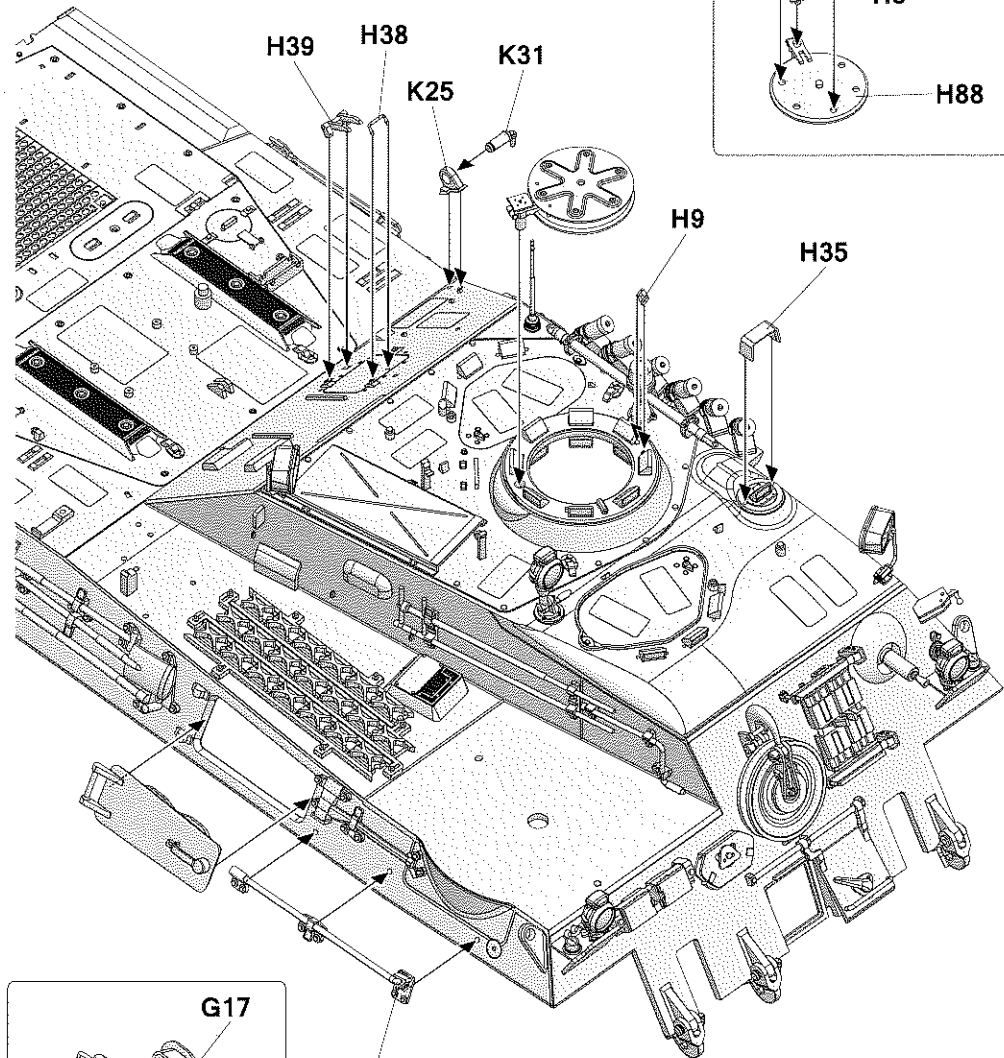
J

K1 X8
K18

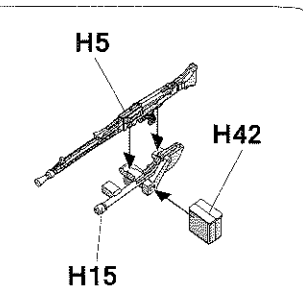
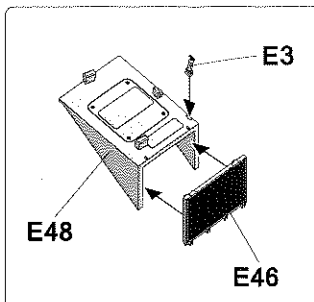
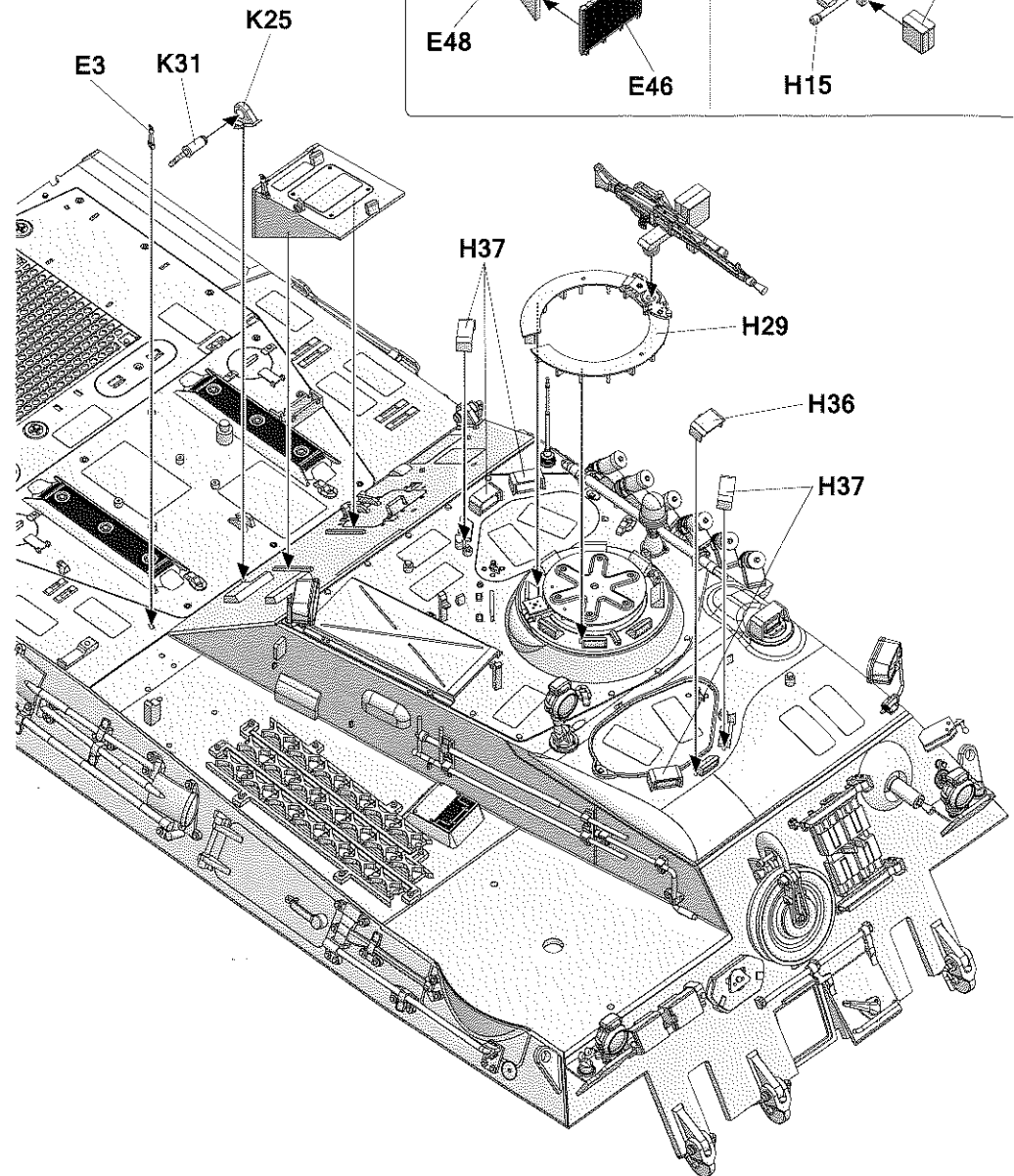
9**10****11**

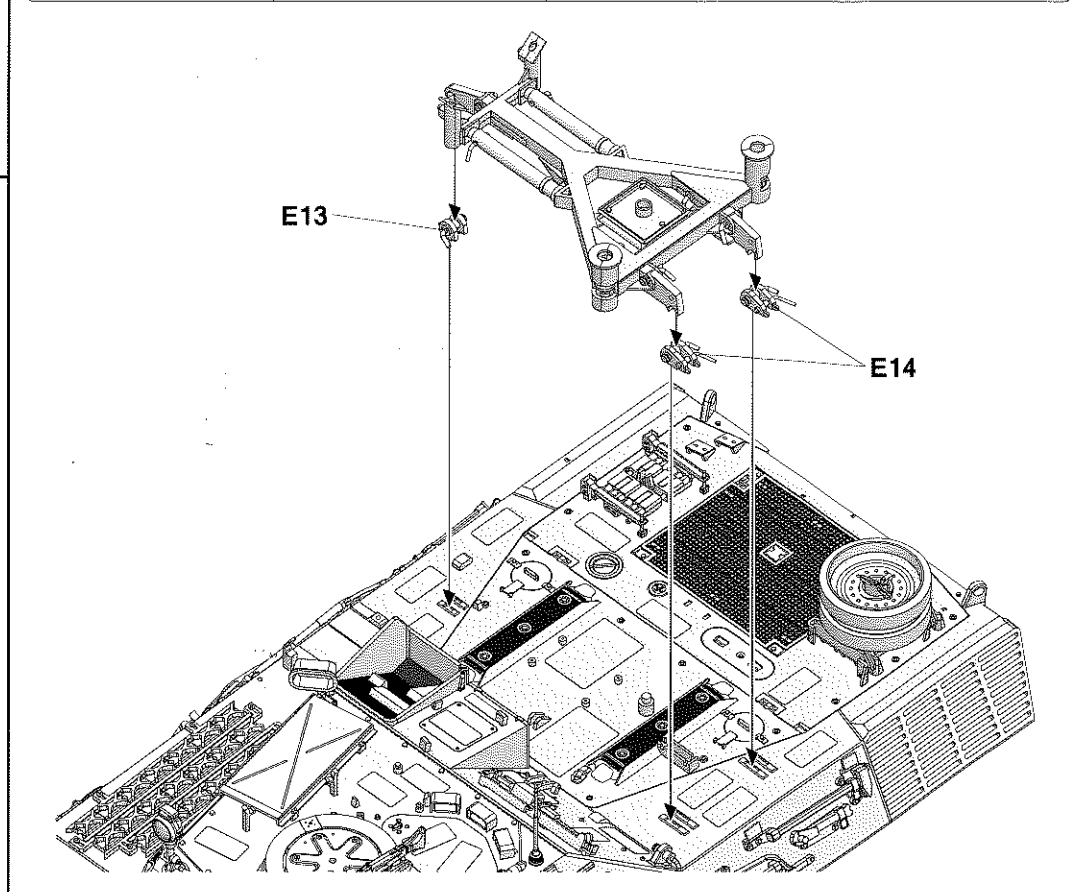
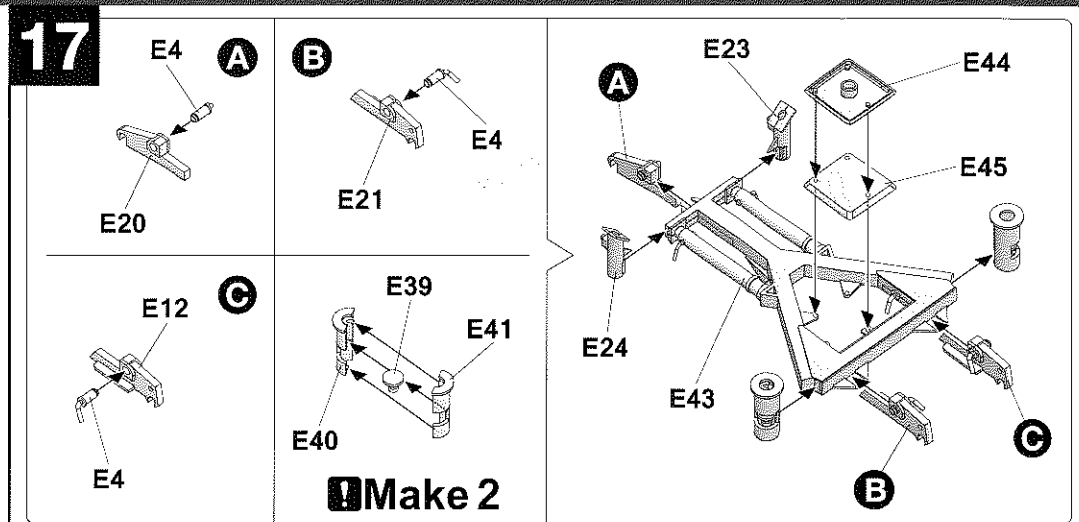
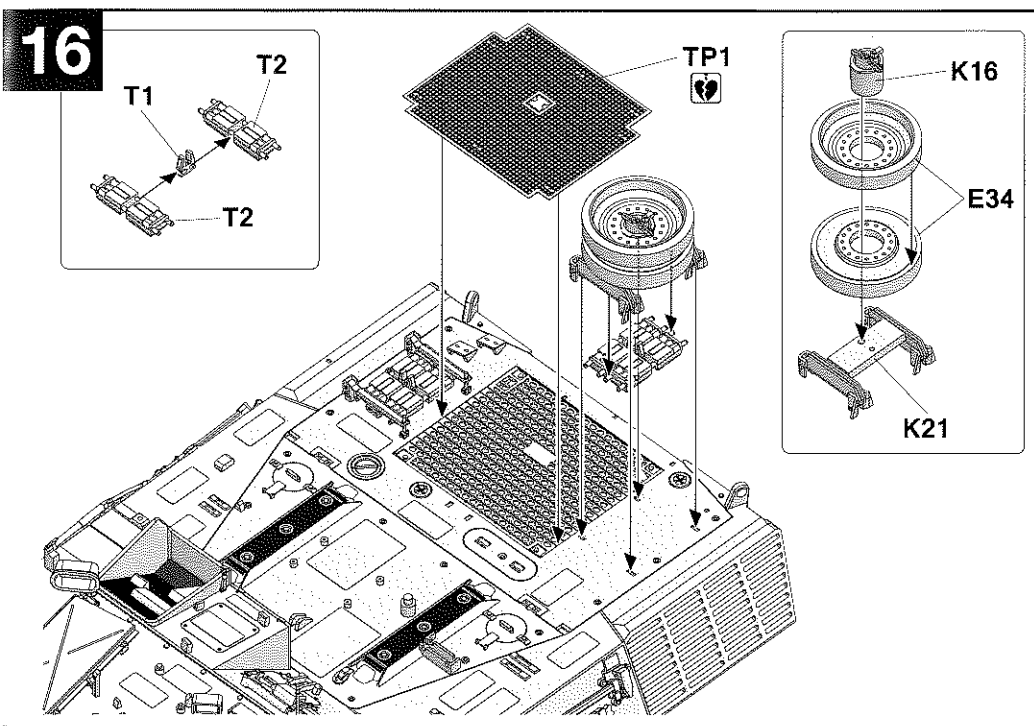
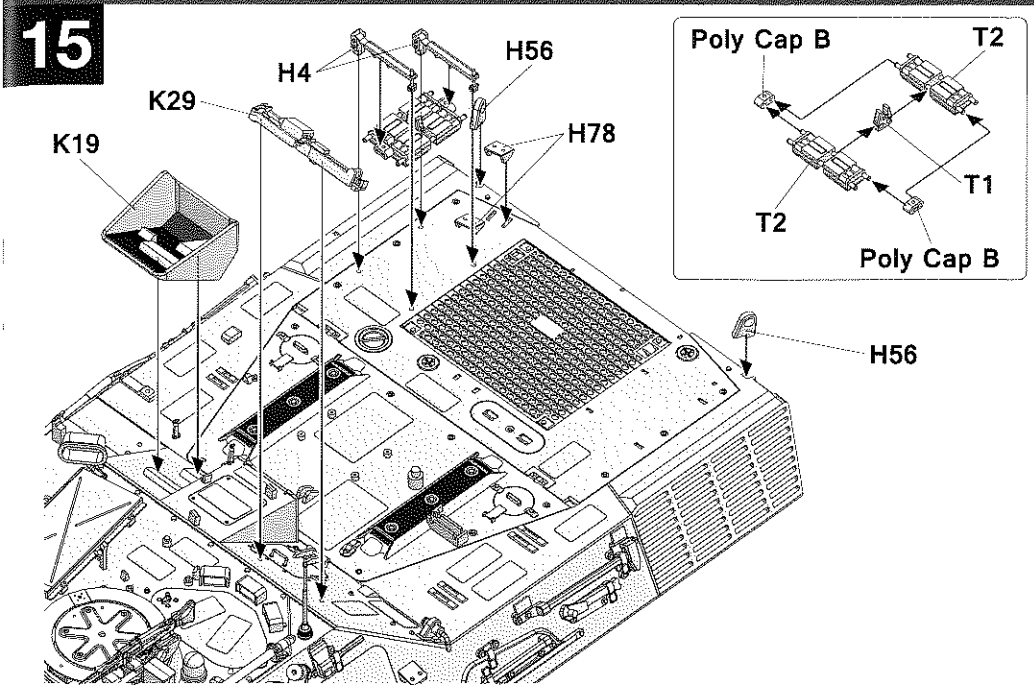


13

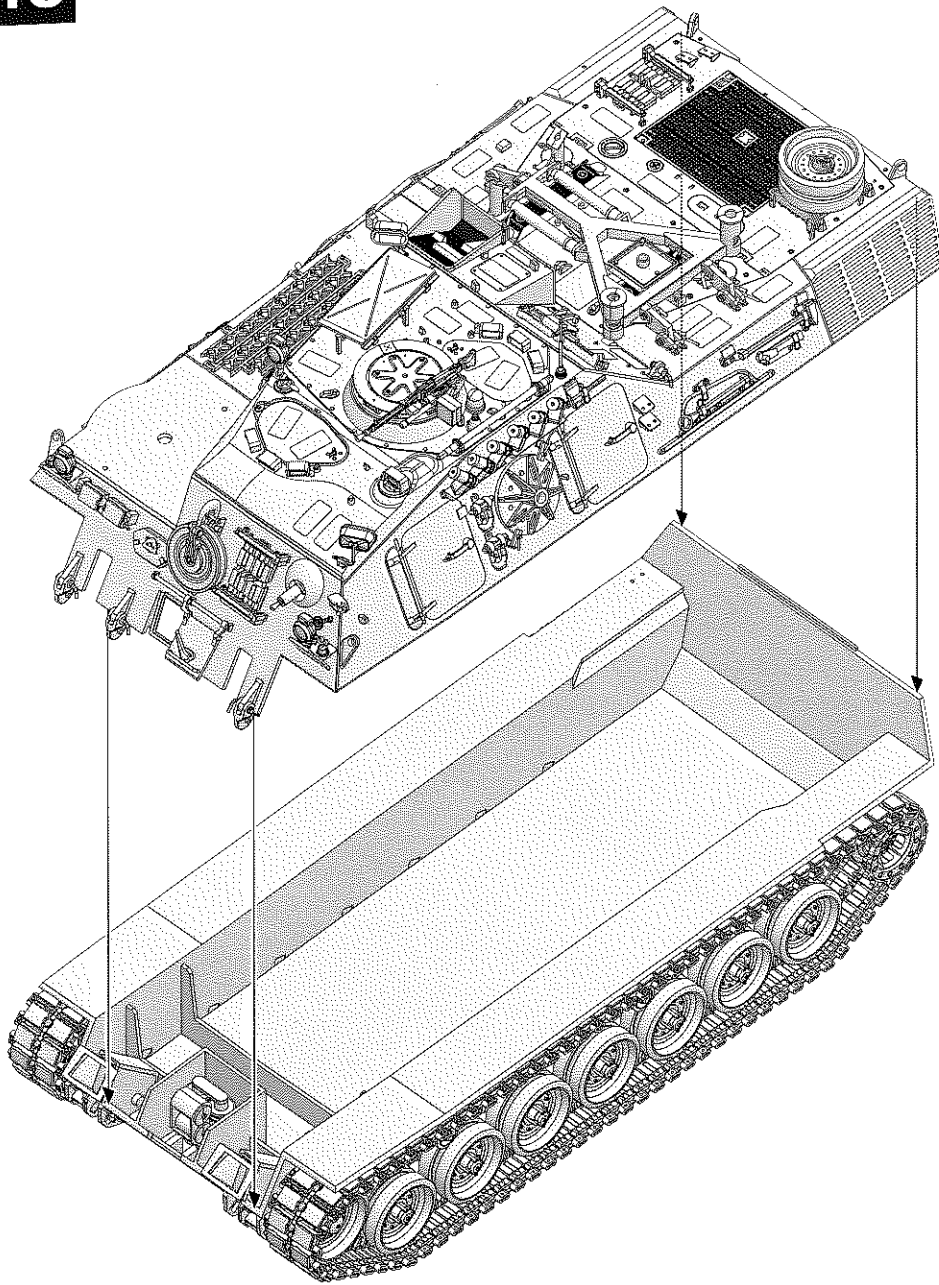


14

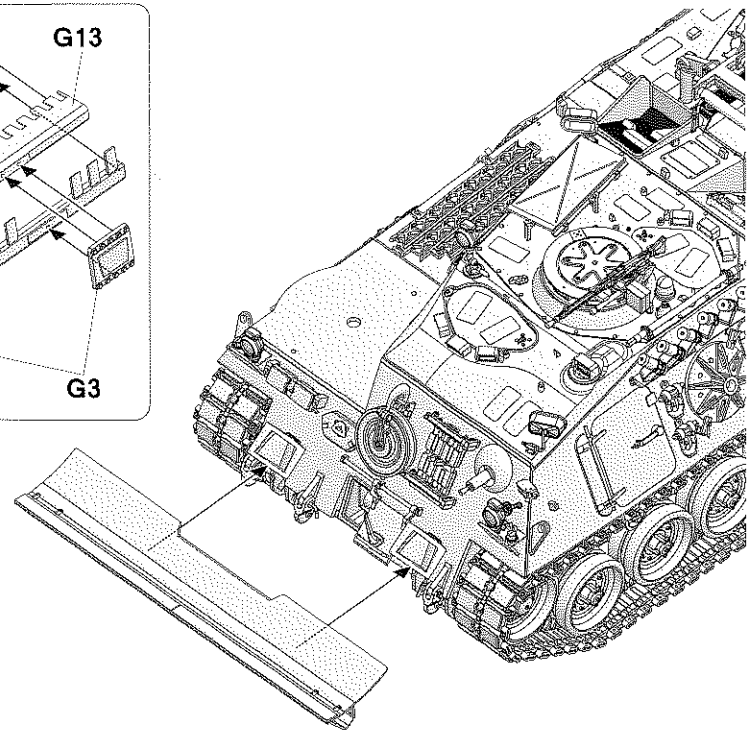
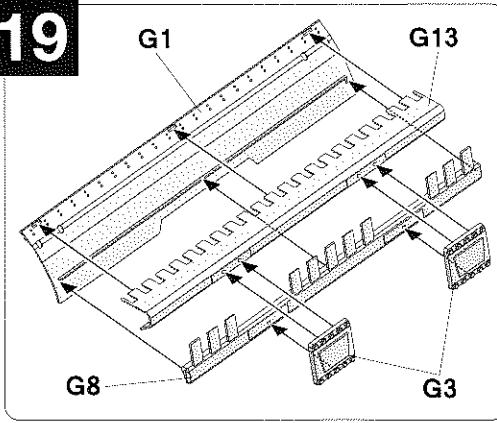




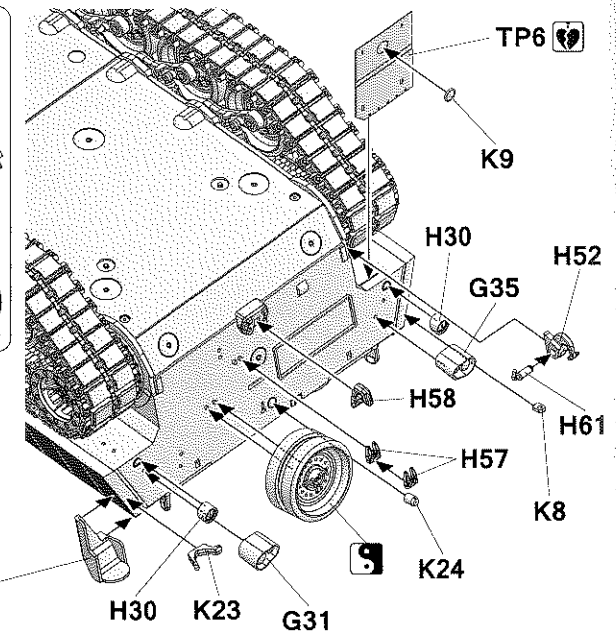
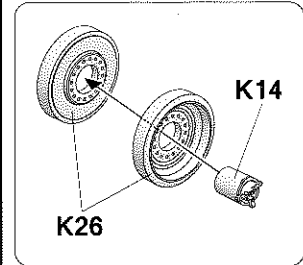
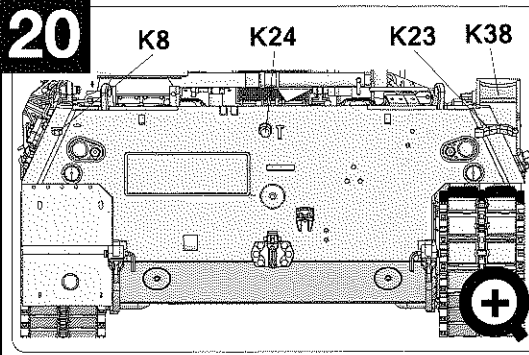
18



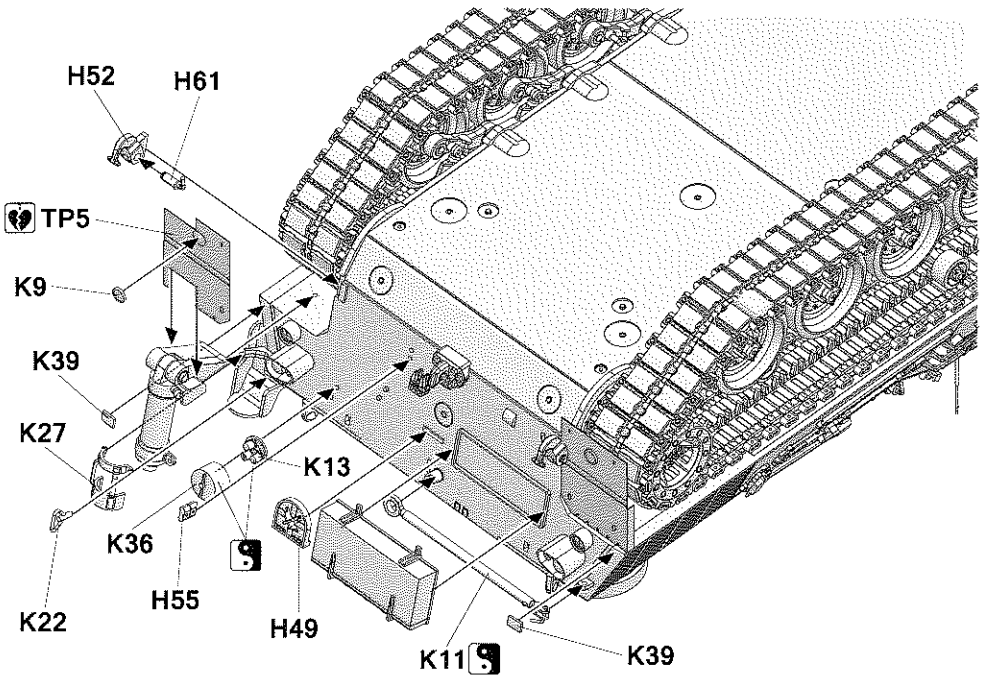
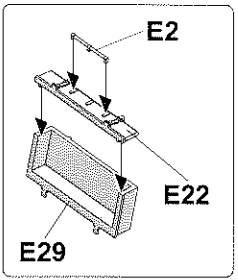
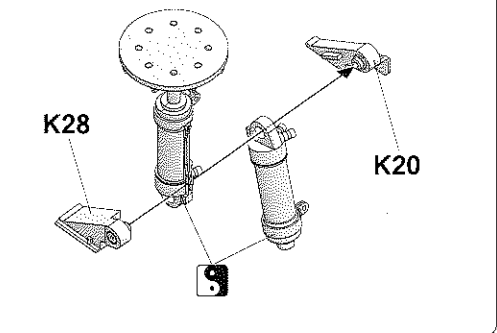
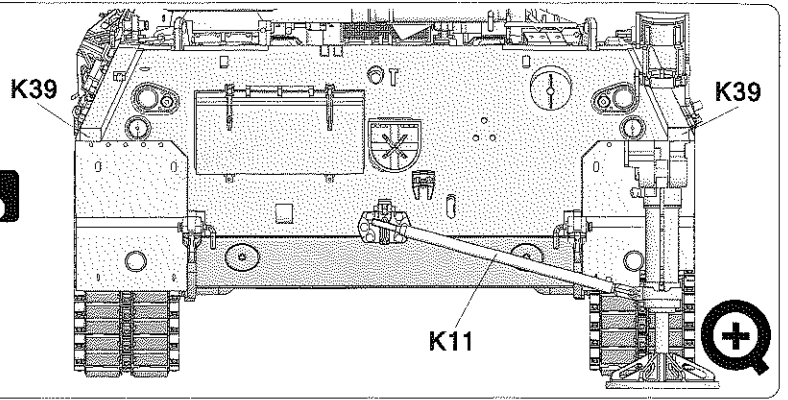
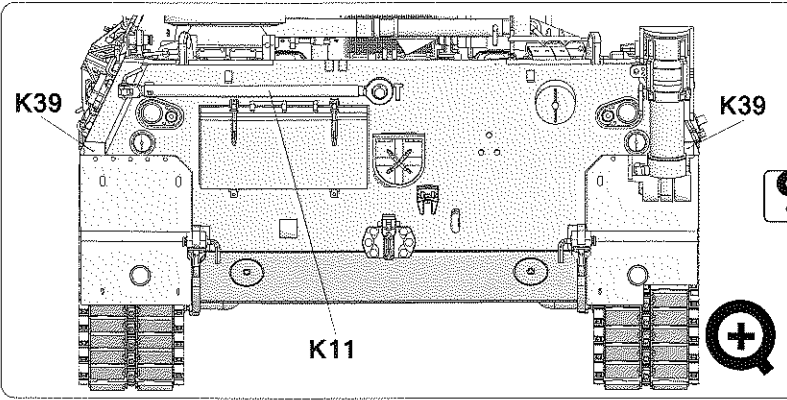
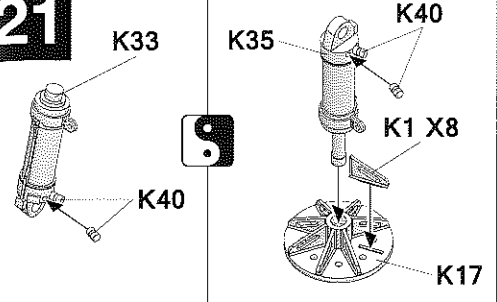
19



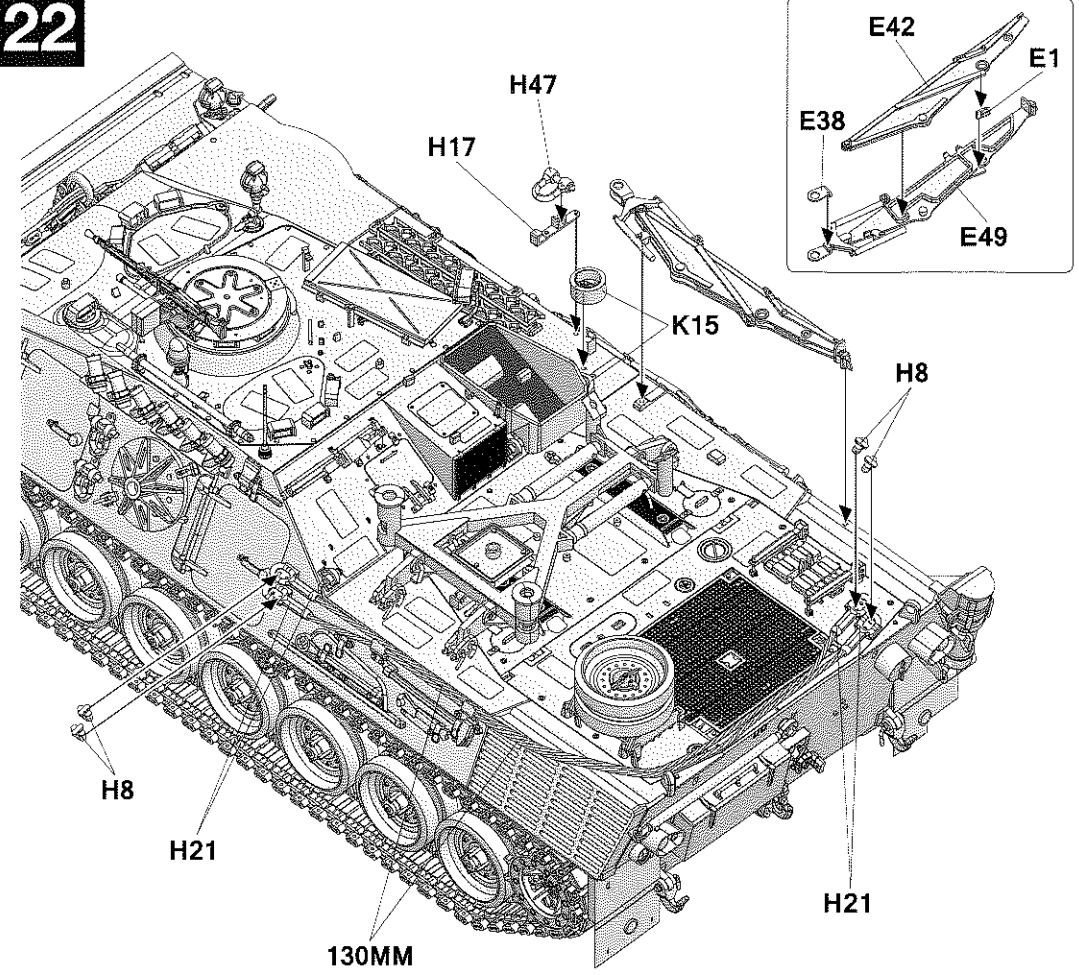
20



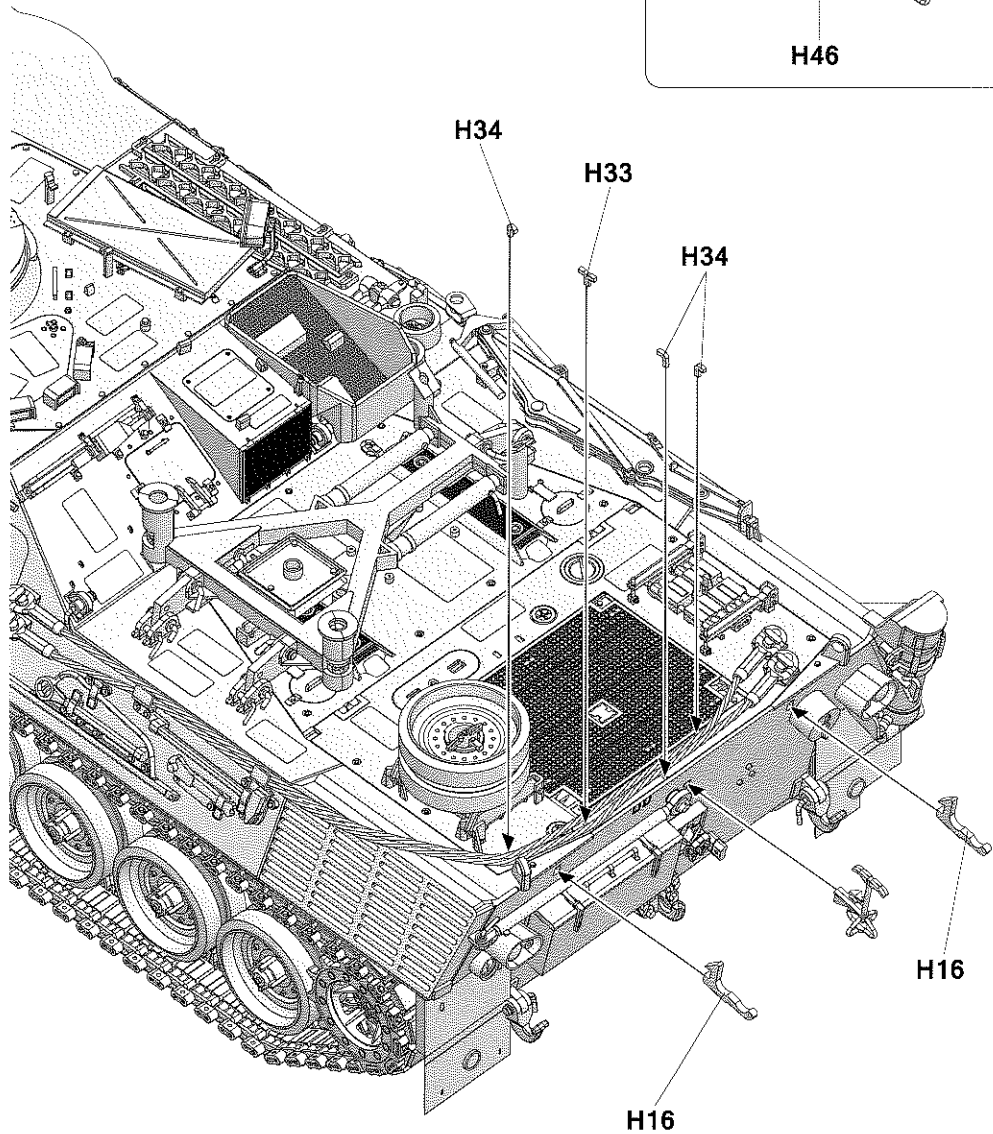
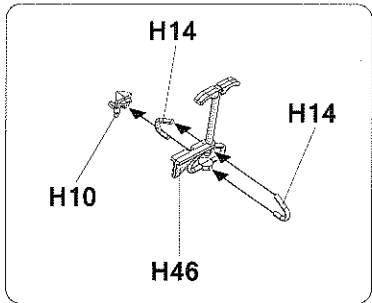
21



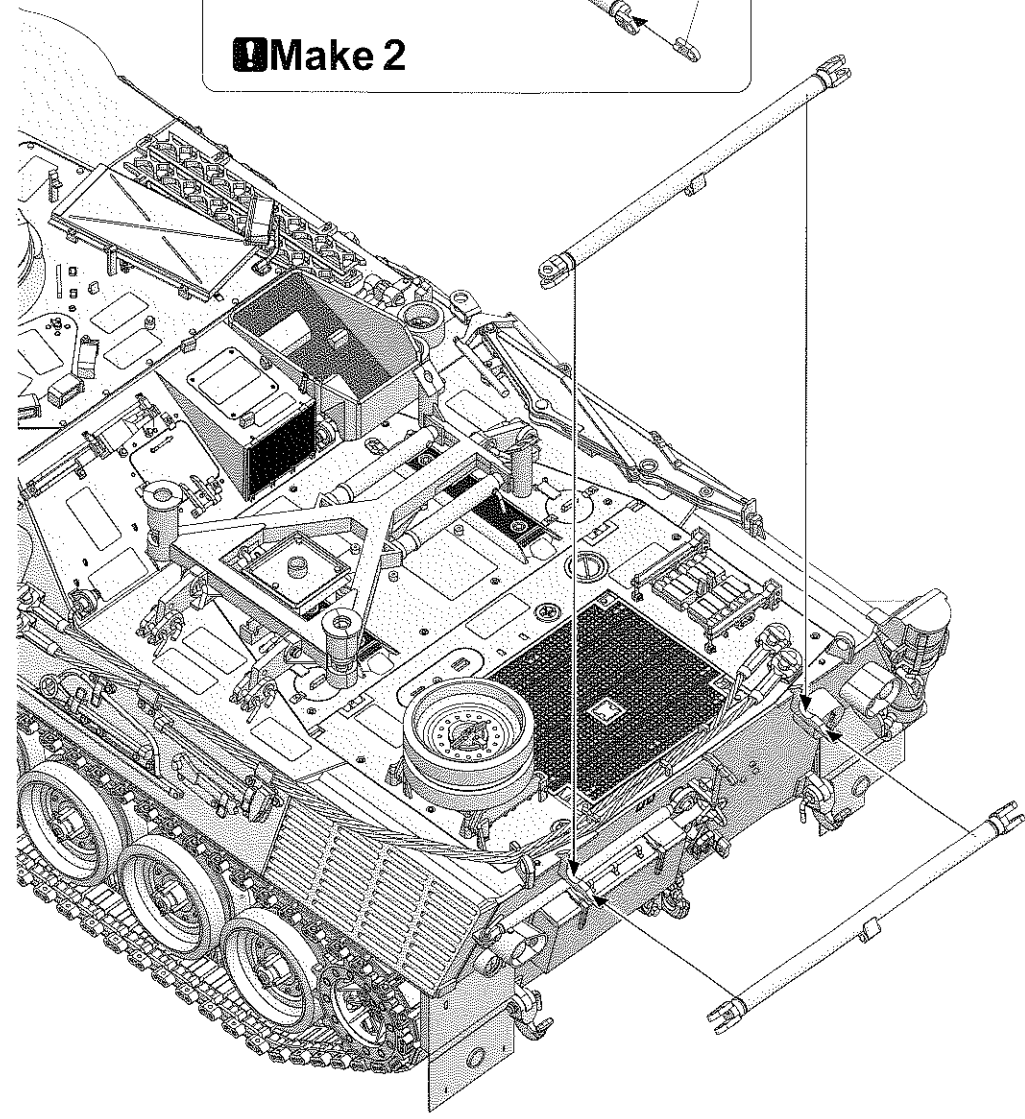
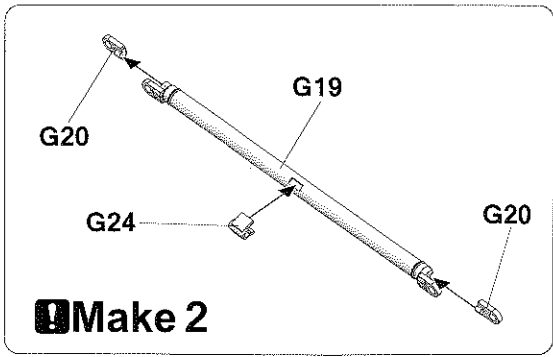
22

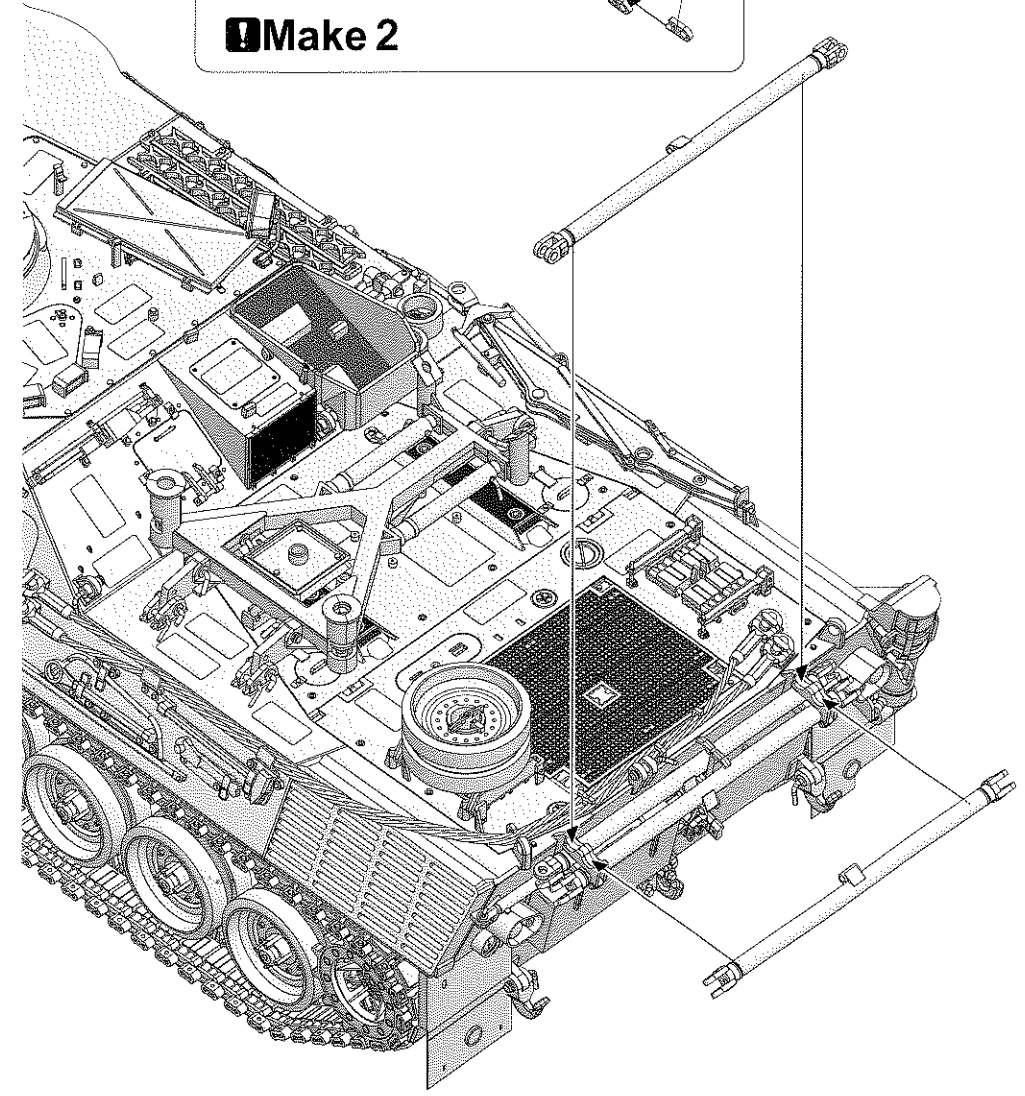
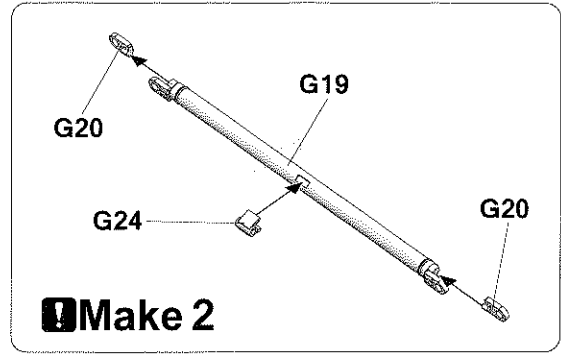
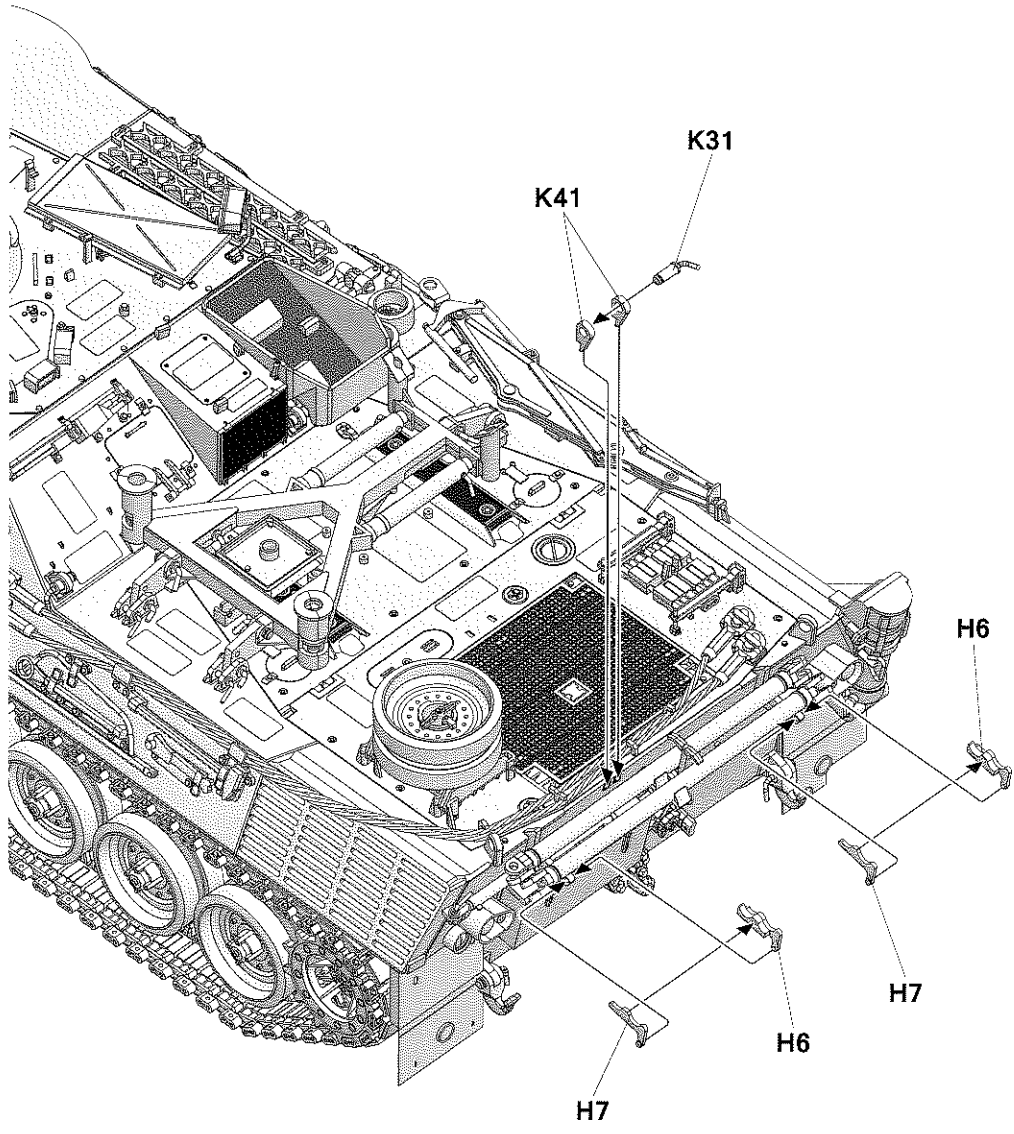


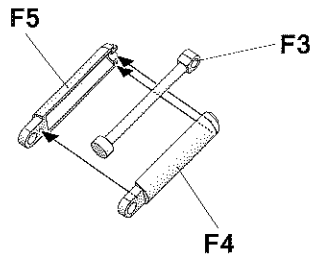
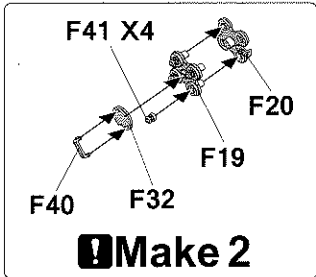
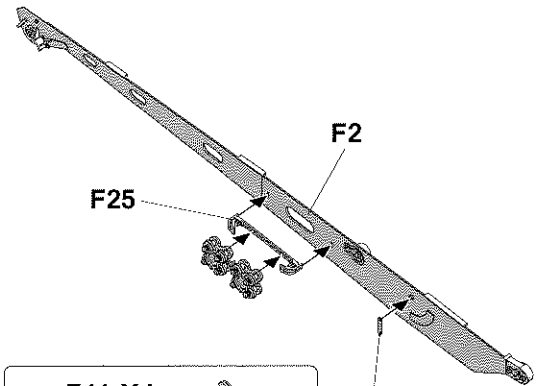
23



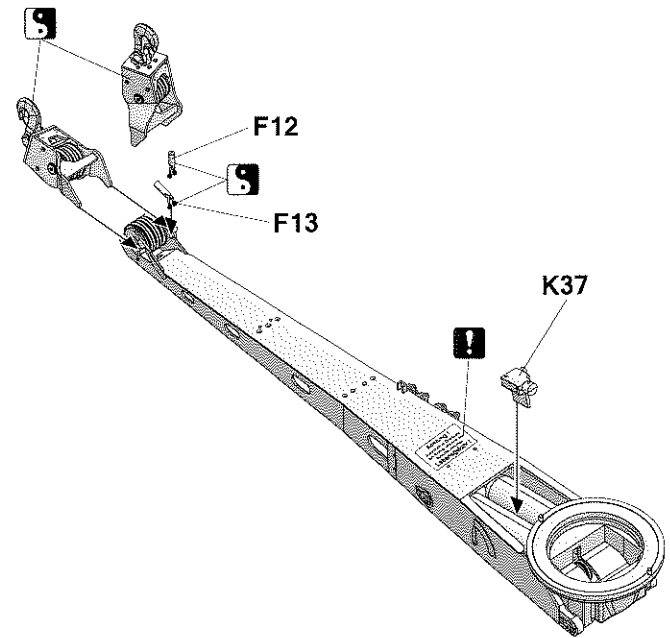
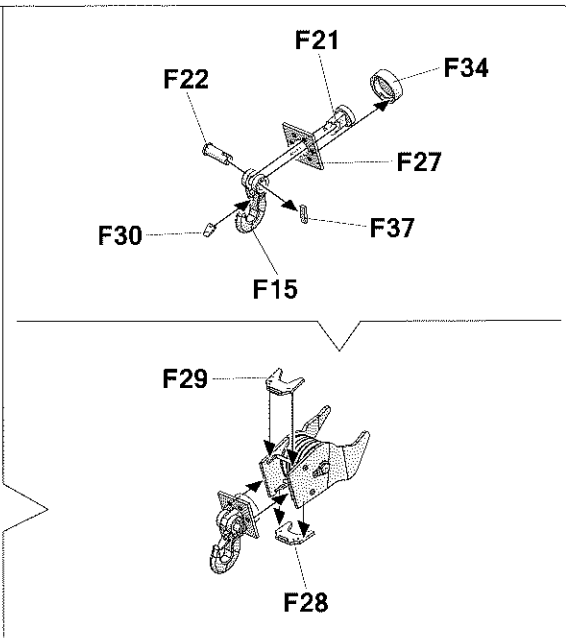
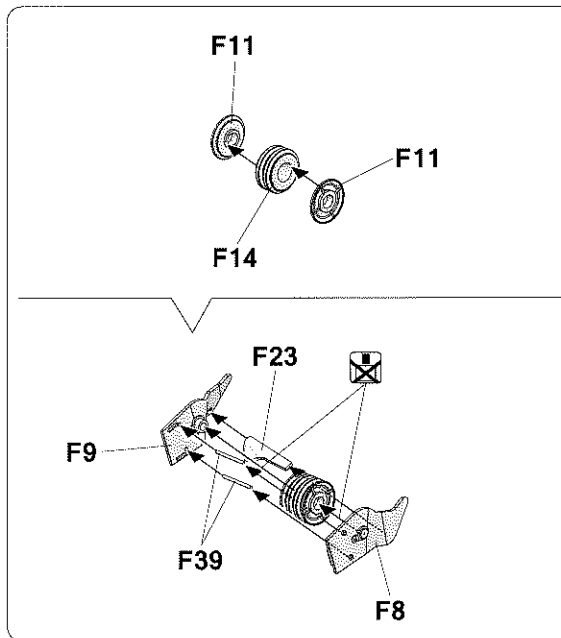
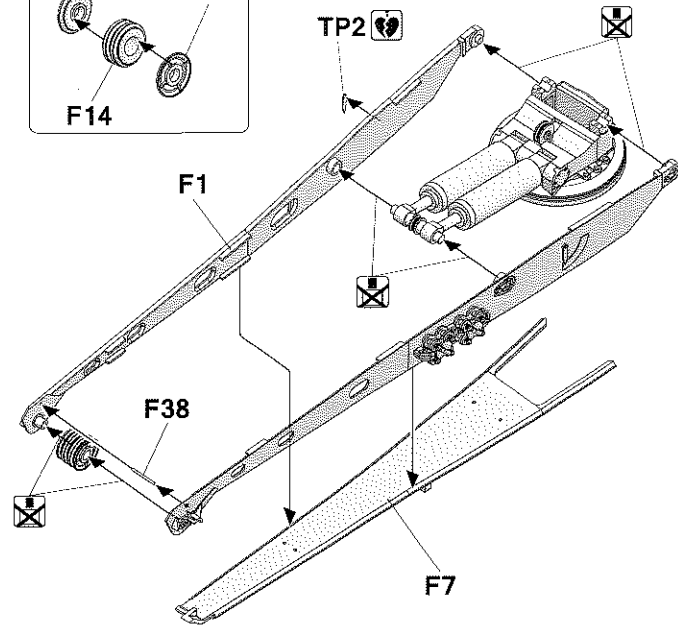
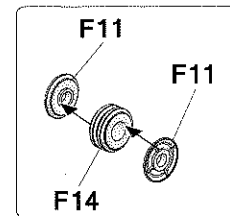
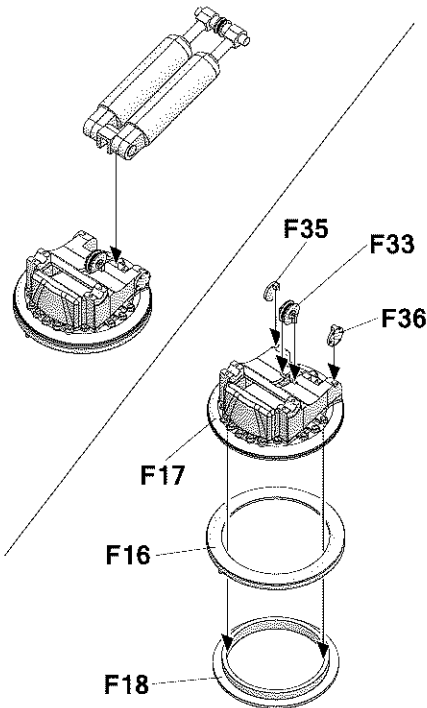
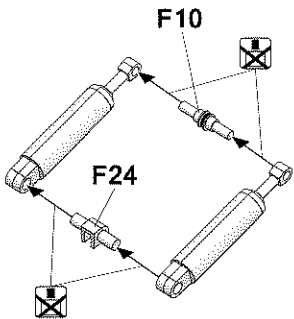
24

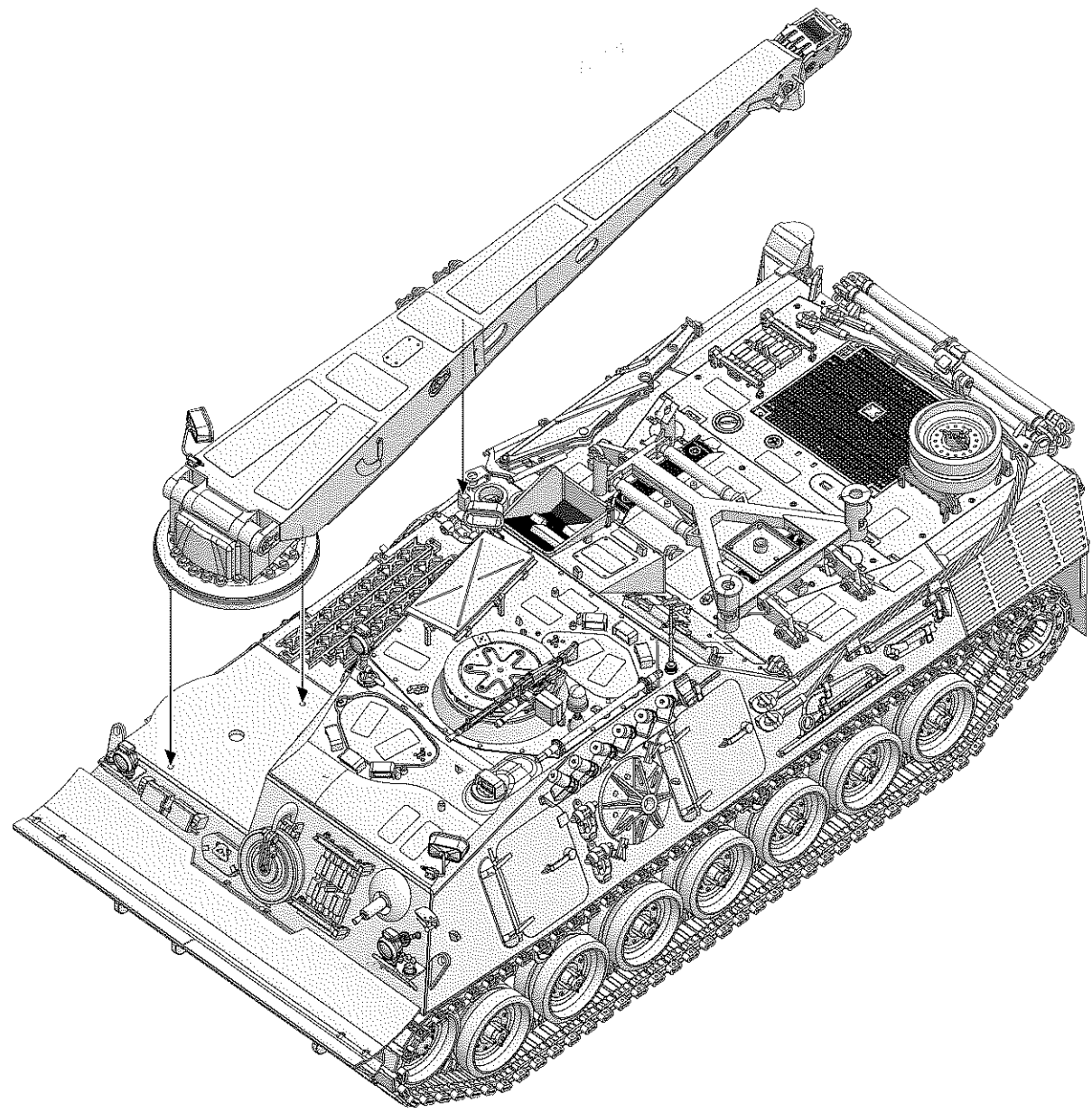
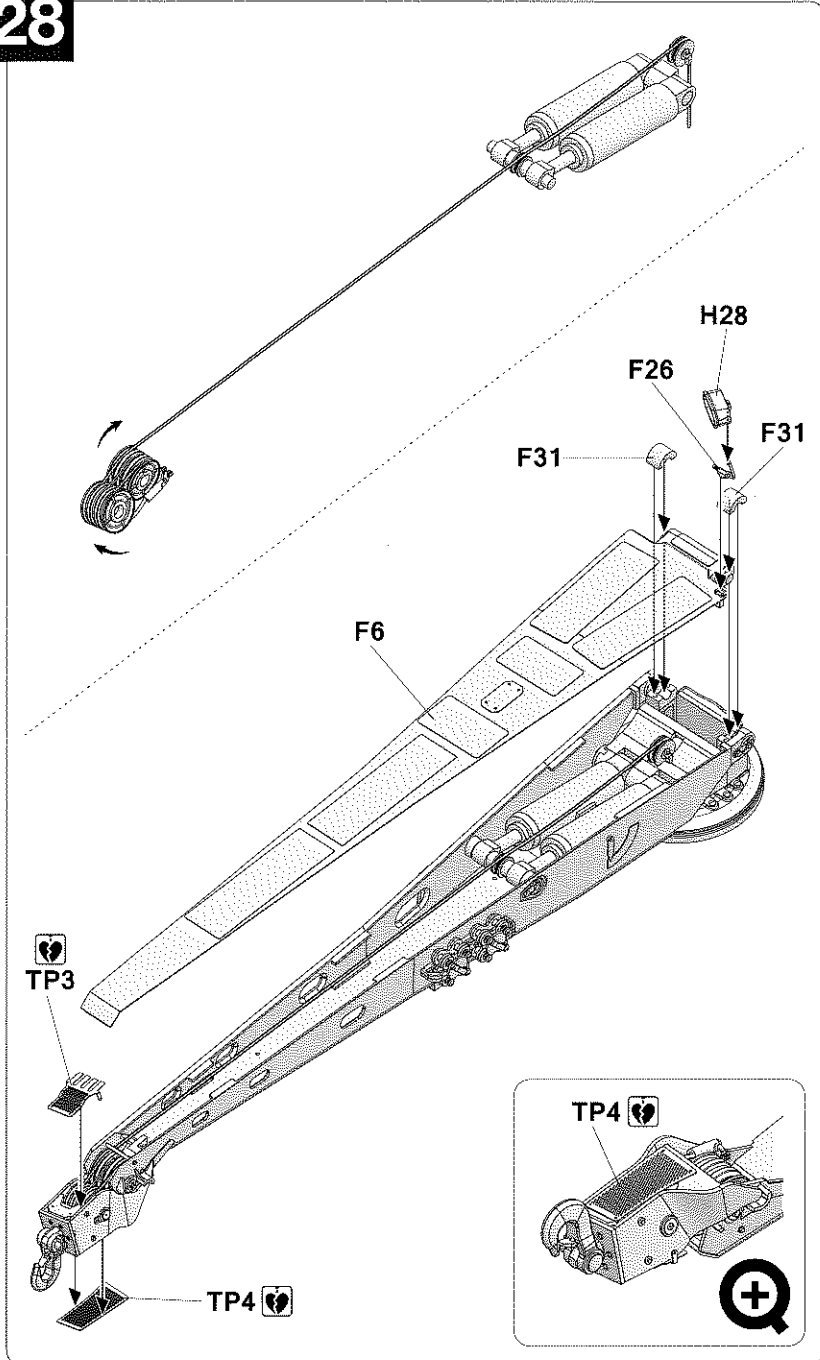






Make 2





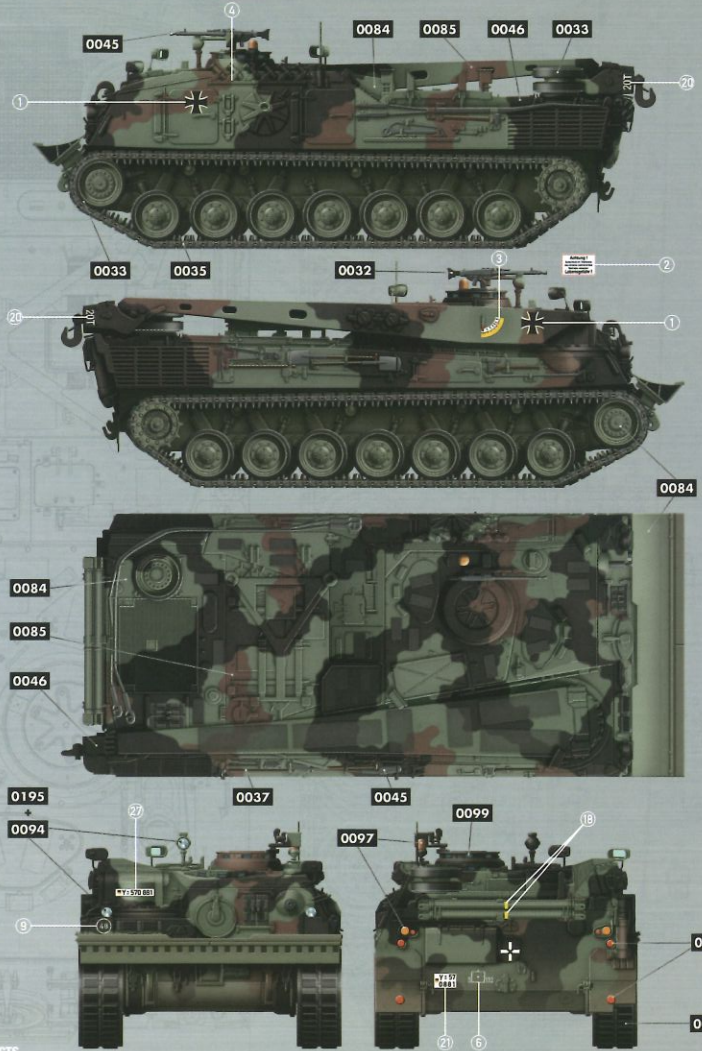
Painting and Marking Guide

TAKOM Ref: 2135

Bergepanzer 2 A2

Raketenartilleriebataillon 132,
Sondershausen, Germany,
June 2010

- A.MIG-0035 Dark Tracks
- A.MIG-0033 Rubber & Tires
- A.MIG-0045 Gun Metal
- A.MIG-0037 New Wood
- A.MIG-0032 Satin Black
- A.MIG-0195 Silver
- A.MIG-0094 Crystal Glass
- A.MIG-0093 Crystal Red
- A.MIG-0097 Crystal Orange
- A.MIG-0099 Crystal Blue
- A.MIG-0084 Nato Green
- A.MIG-0085 Nato Brown
- A.MIG-0046 Matt Black



WEATHERING STEPS WITH AMMO PRODUCTS

1 GENERAL WASH A.MIG-1008 Dark Wash	3 STREAKING A.MIG-1256 Streakingbrusher Green-Grey Grime	5 RAINMARKS A.MIG-1208 Rainmarks Effects	7 MUD A.MIG-1703 Moist Ground	9 FUEL A.MIG-1409 Fuel Stains
2 FILTER A.MIG-1507 Tan for Yellow Green	4 TRACKS WASH A.MIG-1002 Tracks Wash	6 DUST A.MIG-3013 Rubble	8 SPLASHES A.MIG-1752 Loose Ground	10 OIL A.MIG-1408 Fresh Engine Oil

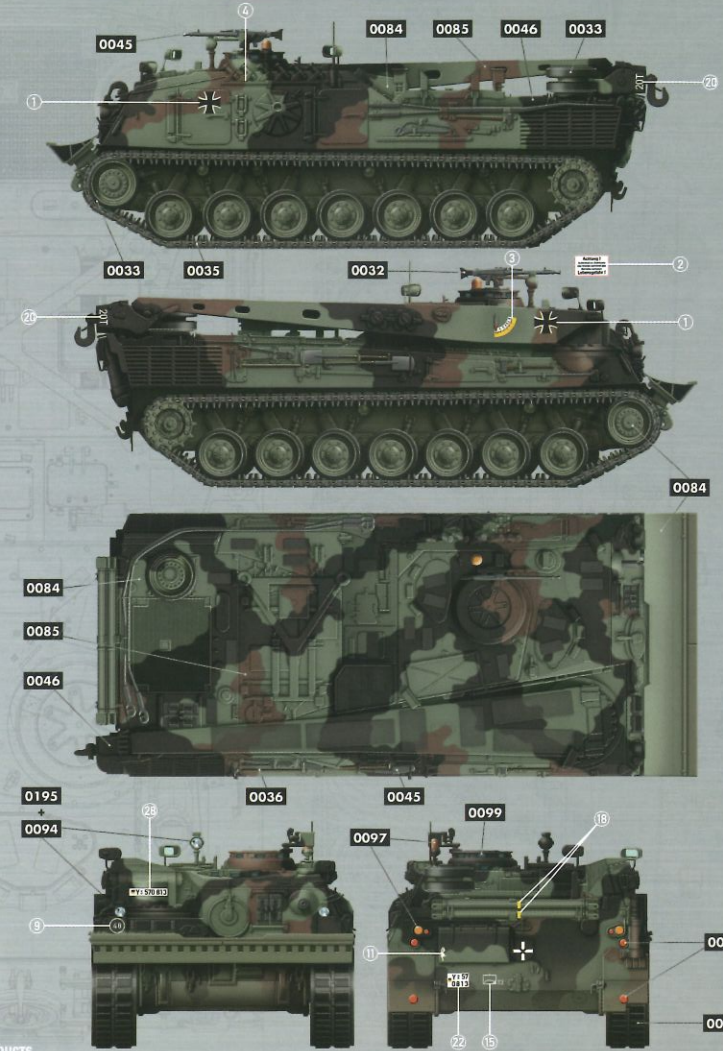
Painting and Marking Guide

TAKOM Ref: 2135

Bergepanzer 2 A2

Panzerflugabwehrkanonenbataillon 112,
Achim, Germany,
June 2003

- A.MIG-0035 Dark Tracks
- A.MIG-0033 Rubber & Tires
- A.MIG-0045 Gun Metal
- A.MIG-0036 Old Wood
- A.MIG-0032 Satin Black
- A.MIG-0195 Silver
- A.MIG-0094 Crystal Glass
- A.MIG-0093 Crystal Red
- A.MIG-0097 Crystal Orange
- A.MIG-0099 Crystal Blue
- A.MIG-0084 Nato Green
- A.MIG-0085 Nato Brown
- A.MIG-0046 Matt Black



WEATHERING STEPS WITH AMMO PRODUCTS

1 GENERAL WASH A.MIG-1008 Dark Wash	3 STREAKING A.MIG-1256 Streakingbrusher Green-Grey Grime	5 RAINMARKS A.MIG-1208 Rainmarks Effects	7 MUD A.MIG-1703 Moist Ground	9 FUEL A.MIG-1409 Fuel Stains
2 FILTER A.MIG-1507 Tan for Yellow Green	4 TRACKS WASH A.MIG-1002 Tracks Wash	6 DUST A.MIG-3013 Rubble	8 SPLASHES A.MIG-1752 Loose Ground	10 OIL A.MIG-1408 Fresh Engine Oil

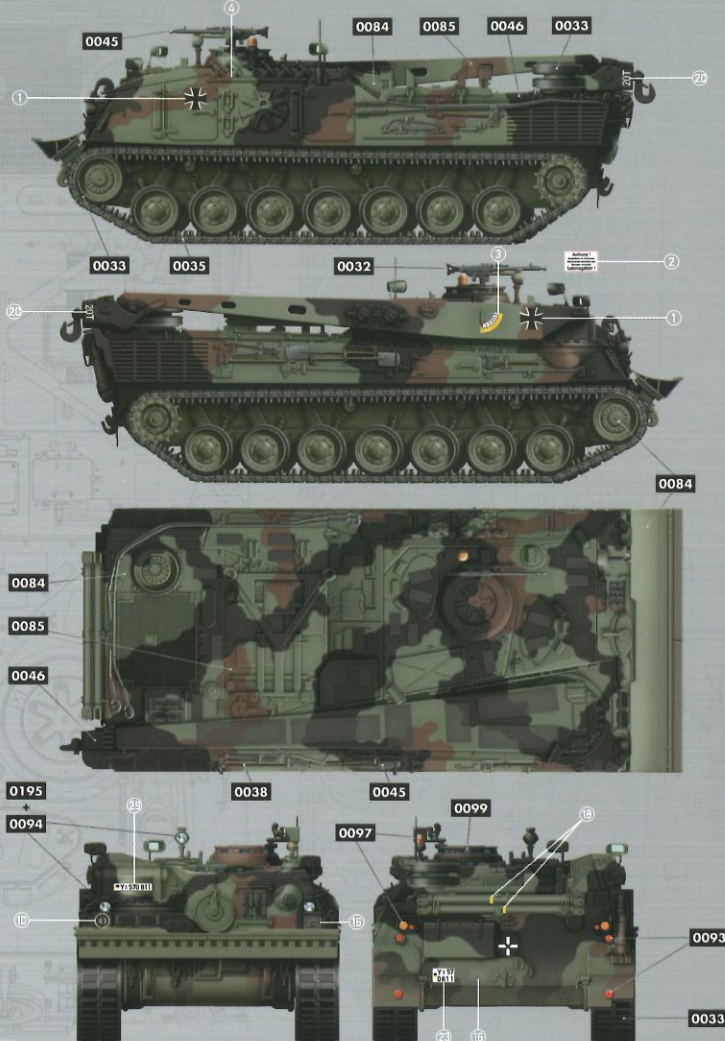
Painting and Marking Guide

TAKOM Ref: 2135

Bergepanzer 2 A2

Gefechtsübungszenrum (GÜZ),
Letzlingen, Germany,
September 2009

A.MIG-0035 Dark Tracks	A.MIG-0033 Rubber & Tires	A.MIG-0045 Gun Metal	A.MIG-0038 Light Wood	A.MIG-0032 Satin Black
A.MIG-0195 Sylex	A.MIG-0094 Crystal Glass	A.MIG-0093 Crystal Red	A.MIG-0097 Crystal Orange	A.MIG-0099 Crystal Blue
A.MIG-0084 Nato Green	A.MIG-0085 Nato Brown	A.MIG-0046 Matt Black		



WEATHERING STEPS WITH AMMO PRODUCTS

1 GENERAL WASH A.MIG-1008 Dark Wash	3 STREAKING A.MIG-1256 Streakingbrusher Green-Grey Grime	5 RAINMARKS A.MIG-1208 Rainmarks Effects	7 MUD A.MIG-1703 Moist Ground	9 FUEL A.MIG-1409 Fuel Stains
2 FILTER A.MIG-1507 Tan for Yellow Green	4 TRACKS WASH A.MIG-1002 Tracks Wash	6 DUST A.MIG-3013 Rubble	8 SPLASHES A.MIG-1752 Loose Ground	10 OIL A.MIG-1408 Fresh Engine Oil

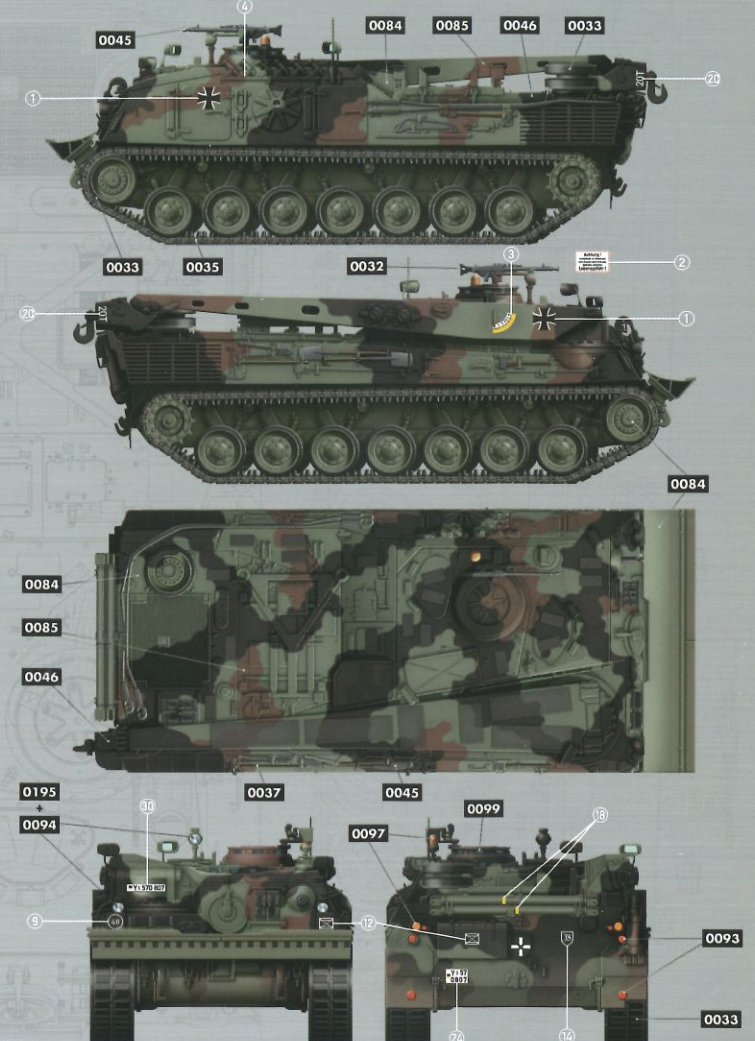
Painting and Marking Guide

TAKOM Ref: 2135

Bergepanzer 2 A2

Infanterieschule,
Hammelburg, Germany,
July 2014

A.MIG-0035 Dark Tracks	A.MIG-0033 Rubber & Tires	A.MIG-0045 Gun Metal	A.MIG-0017 New Wood	A.MIG-0032 Satin Black
A.MIG-0195 Sylex	A.MIG-0094 Crystal Glass	A.MIG-0093 Crystal Red	A.MIG-0097 Crystal Orange	A.MIG-0099 Crystal Blue
A.MIG-0084 Nato Green	A.MIG-0085 Nato Brown	A.MIG-0046 Matt Black		



WEATHERING STEPS WITH AMMO PRODUCTS

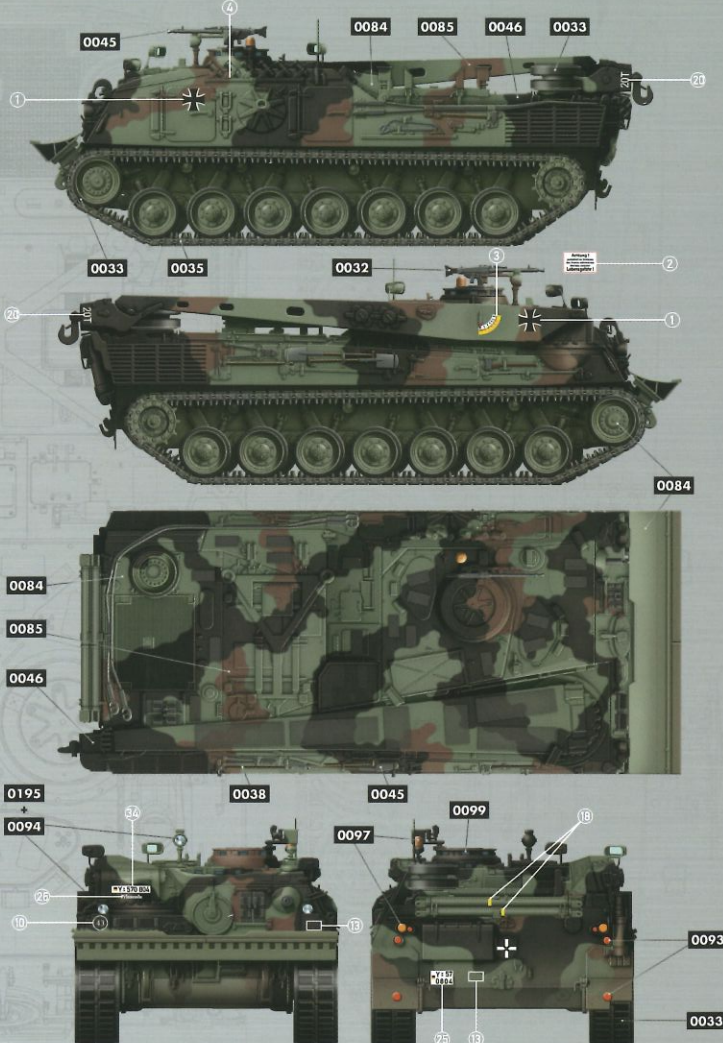
1 GENERAL WASH A.MIG-1008 Dark Wash	3 STREAKING A.MIG-1256 Streakingbrusher Green-Grey Grime	5 RAINMARKS A.MIG-1208 Rainmarks Effects	7 MUD A.MIG-1703 Moist Ground	9 FUEL A.MIG-1409 Fuel Stains
2 FILTER A.MIG-1507 Tan for Yellow Green	4 TRACKS WASH A.MIG-1002 Tracks Wash	6 DUST A.MIG-3013 Rubble	8 SPLASHES A.MIG-1752 Loose Ground	10 OIL A.MIG-1408 Fresh Engine Oil

Painting and Marking Guide

TAKOM Ref: 2135

Bergepanzer 2 A2

Unknown Unit,
Emden, Germany,
February 2015



WEATHERING STEPS WITH AMMO PRODUCTS

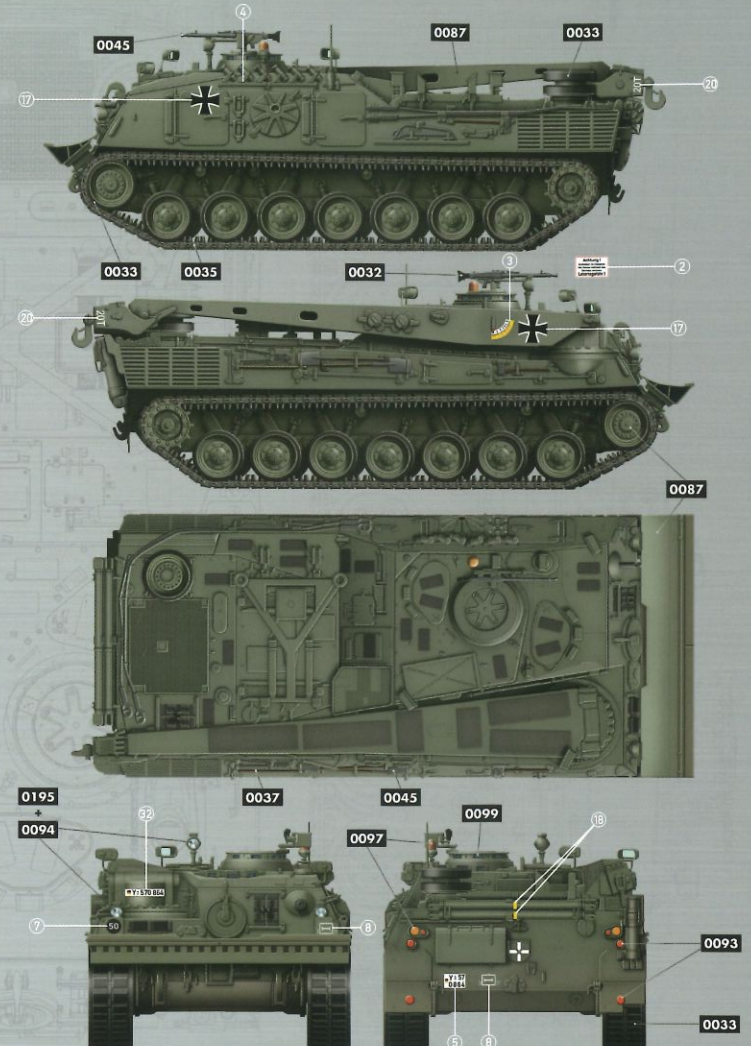
1 GENERAL WASH A.MIG-1008 Dark Wash	3 STREAKING A.MIG-1256 Streakingbrusher Green-Gray Grime	5 RAINMARKS A.MIG-1208 Rainmarks Effects	7 MUD A.MIG-1703 Moist Ground	9 FUEL A.MIG-1409 Fuel Stains
2 FILTER A.MIG-1507 Tan for Yellow Green	4 TRACKS WASH A.MIG-1002 Tracks Wash	6 DUST A.MIG-3013 Rubble	8 SPLASHES A.MIG-1752 Loose Ground	10 OIL A.MIG-1408 Fresh Engine Oil

Painting and Marking Guide

TAKOM Ref: 2135

Bergepanzer 2 A2

Instandsetzungsbataillon 51,
Stadtallendorf, Germany,
September 2002



WEATHERING STEPS WITH AMMO PRODUCTS

1 GENERAL WASH A.MIG-1000 Brown Wash for Dark Yellow	3 STREAKING A.MIG-1203 Streaking Grime	5 RAINMARKS A.MIG-1258 Streakingbrusher Dust	7 MUD A.MIG-1751 Dry Steppe	9 FUEL A.MIG-1702 Turned Earth
2 FILTER A.MIG-1511 Brown for Dark Yellow	4 TRACKS WASH A.MIG-1002 Tracks Wash	6 DUST A.MIG-3010 Concrete	8 SPLASHES A.MIG-1409 Fuel Stains	10 OIL A.MIG-1408 Fresh Engine Oil

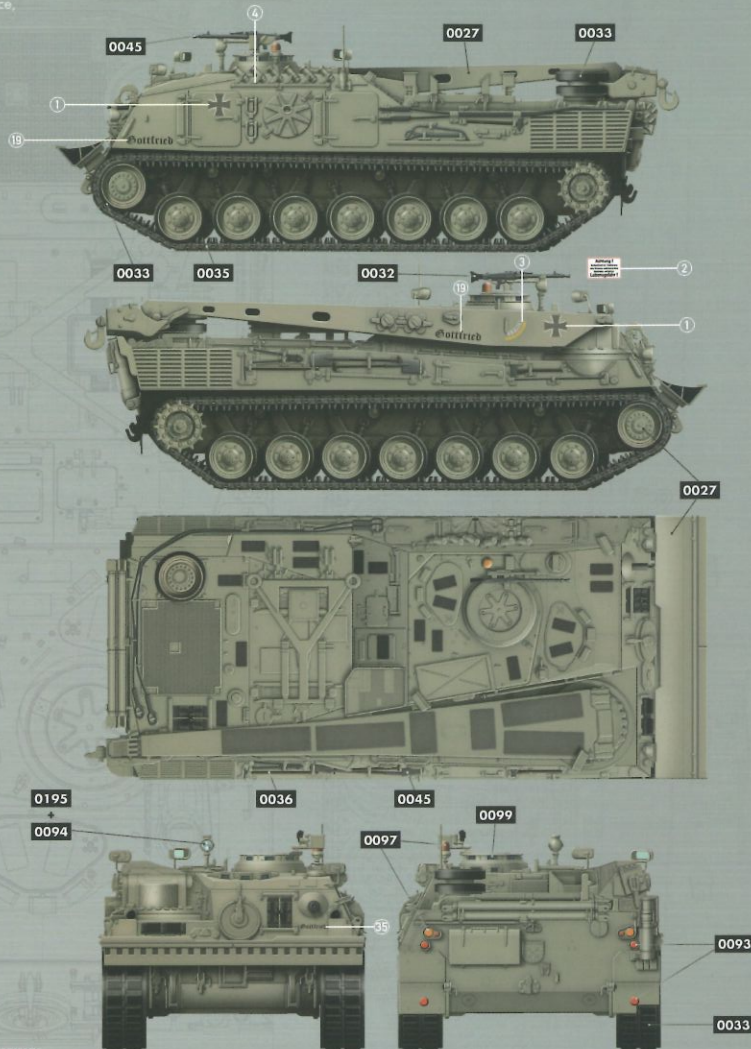
Painting and Marking Guide

TAKOM Ref: 2135

Bergepanzer 2 A2

Provincial Reconstruction Team Kunduz,
Feldlager Kunduz, Kunduz Province,
Afghanistan, 2011

- A.MIG-0035 Dark Tracks
- A.MIG-0033 Rubber & Tires
- A.MIG-0045 Gun Metal
- A.MIG-0036 Old Wood
- A.MIG-0032 Satin Black
- A.MIG-0195 Sylew
- A.MIG-0094 Crystal Glass
- A.MIG-0093 Crystal Red
- A.MIG-0097 Crystal Orange
- A.MIG-0099 Crystal Blue
- A.MIG-0046 Matt Black
- A.MIG-0027 Full 100% F9 German Sand Beige



WEATHERING STEPS WITH AMMO PRODUCTS

- | | | | | |
|--|--|--|---|--|
| 1 GENERAL WASH
A.MIG-1008 Dark Wash | 3 STREAKING
A.MIG-1203 Streaking Grime | 5 RAINMARKS
A.MIG-1258 Streakingbrusher Dust | 7 MUD
A.MIG-1702 Turned Earth | 9 FUEL
A.MIG-1409 Fuel Stains |
| 2 FILTER
A.MIG-1506 Brown for Dark Green | 4 FURDLES WASH
A.MIG-1401 Light Dust | 6 DUST
A.MIG-3011 Airfield Dust | 8 SPLASHES
A.MIG-1751 Dry Steps | 10 OIL
A.MIG-1408 Fresh Engine Oil |

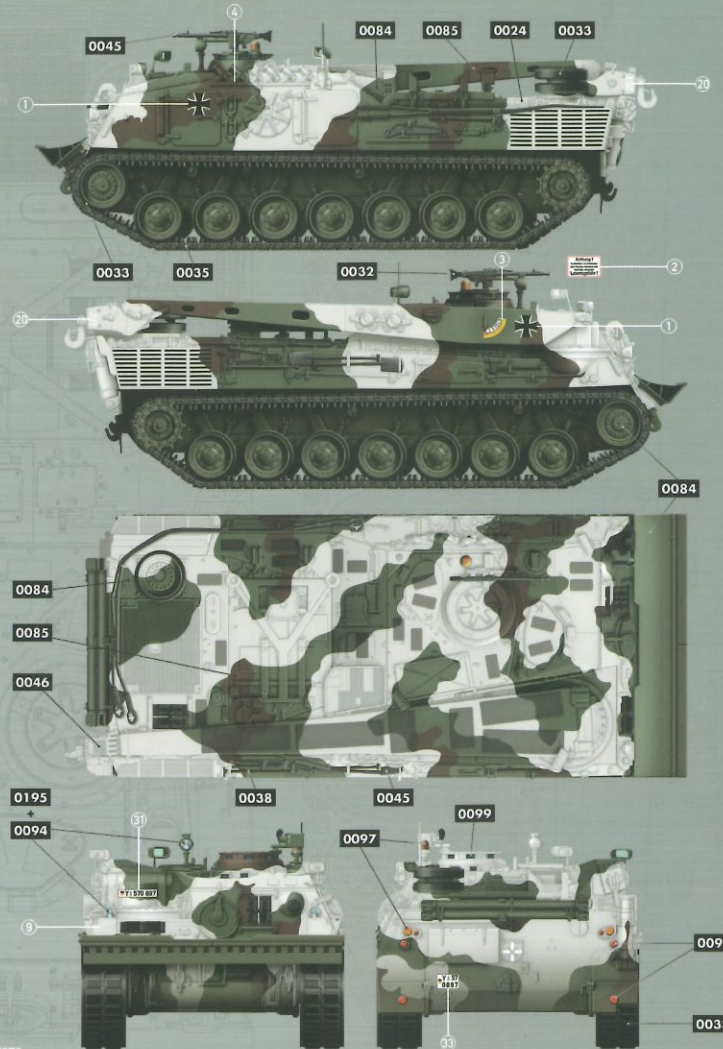
Painting and Marking Guide

TAKOM Ref: 2135

Bergepanzer 2 A2

Wintercamouflage

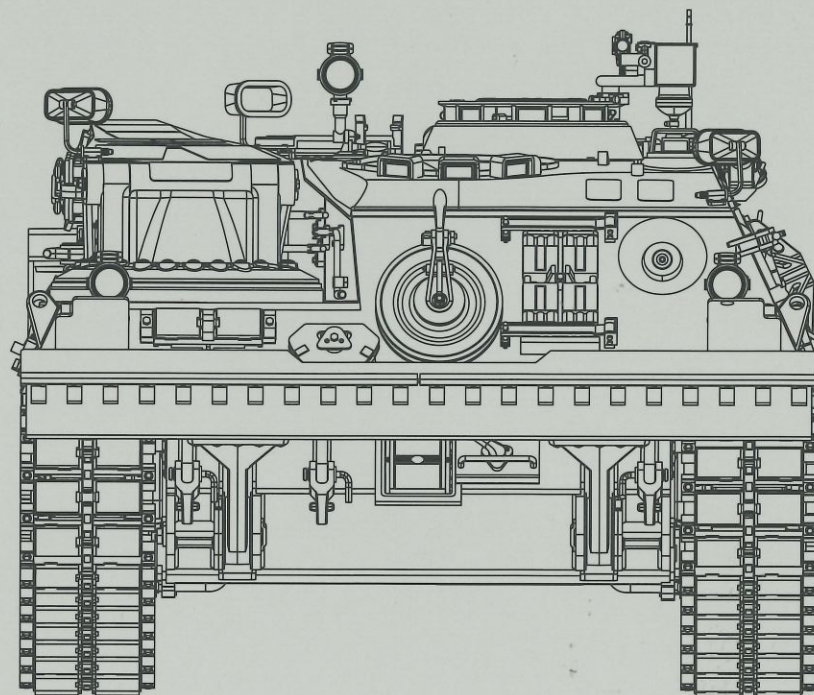
- A.MIG-0035 Dark Tracks
- A.MIG-0033 Rubber & Tires
- A.MIG-0045 Gun Metal
- A.MIG-0036 Light Wood
- A.MIG-0032 Satin Black
- A.MIG-0195 Sylew
- A.MIG-0094 Crystal Glass
- A.MIG-0093 Crystal Red
- A.MIG-0097 Crystal Orange
- A.MIG-0099 Crystal Blue
- A.MIG-0084 Halo Green
- A.MIG-0085 Halo Brown
- A.MIG-0024 White Camo



WEATHERING STEPS WITH AMMO PRODUCTS

- | | | | | |
|--|---|--|---|--|
| 1 GENERAL WASH
A.MIG-1008 Dark Wash | 3 STREAKING
A.MIG-1206 Dark Streaking Grime | 5 RAINMARKS
A.MIG-1258 Streakingbrusher Dust | 7 MUD
A.MIG-1704 Heavy Earth | 9 FUEL
A.MIG-1409 Fuel Stains |
| 2 FILTER
A.MIG-1506 Brown for Dark Green | 4 TRACKS WASH
A.MIG-1002 Tracks Wash | 6 DUST
A.MIG-3004 Europe Earth | 8 SPLASHES
A.MIG-1753 Turned Dirt | 10 OIL
A.MIG-1408 Fresh Engine Oil |

2020/2135



You can find TAKOM on Facebook.com