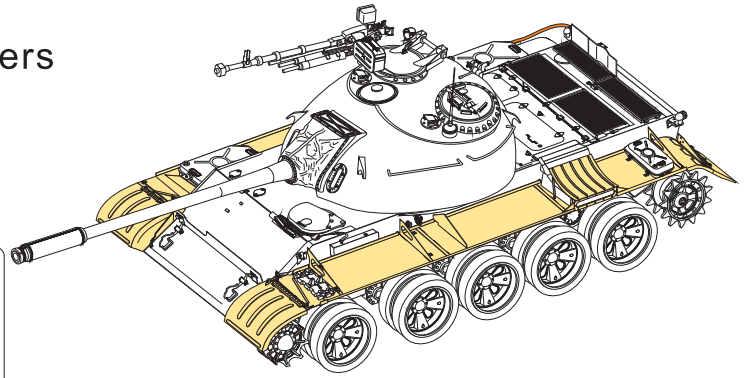


1/35 MILITARY MINIATURE VEHICLE UPGRADE SERIES PE351033

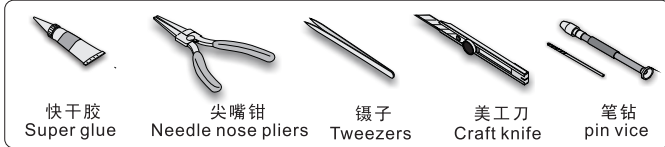
# PLA Type59 Main Battle Tank Fenders








## 中国59式主战坦克翼子板改造件

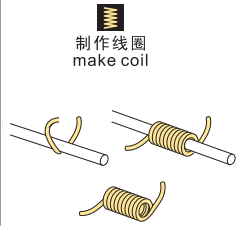
[For TAKOM 2081]




### 推荐使用工具 RECOMMENDED TOOLS



-   
 安装  
install
-   
 折叠  
bend
- A1**  
 改造件零件编号  
PE/resin part number
- B12**  
 原零件编号  
kit part number
- C22**  
 被替换的原零件编号  
replaced kit part number
-   
 切除  
remove
-   
 弧度卷曲  
radial bending
- x2**  
 制作若干组  
multiple assembly
-   
 选择安装  
alternative
-   
 另一侧相同制作  
repeat on  
opposite side
-   
 填补  
fill



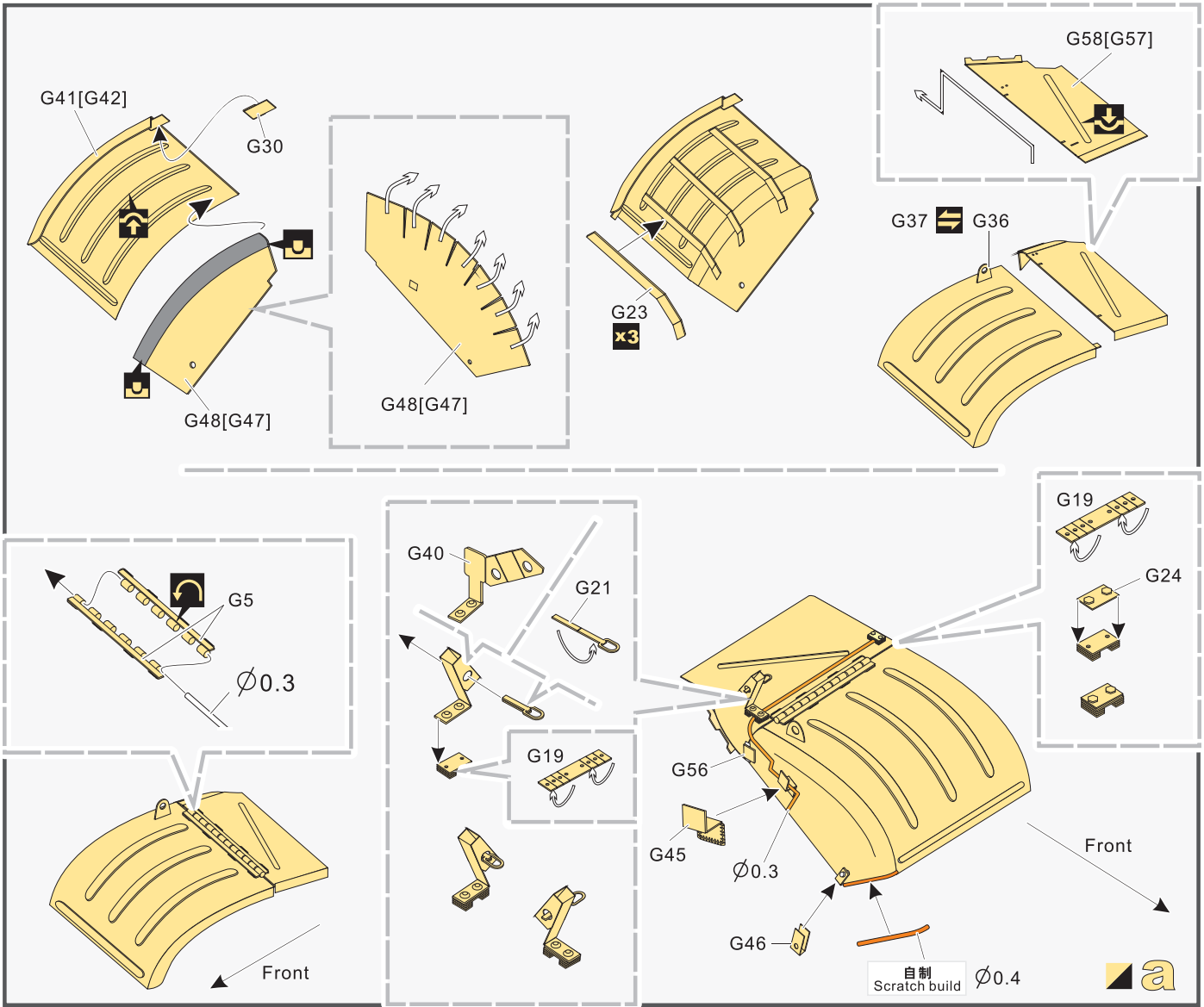
制作线圈  
make coil



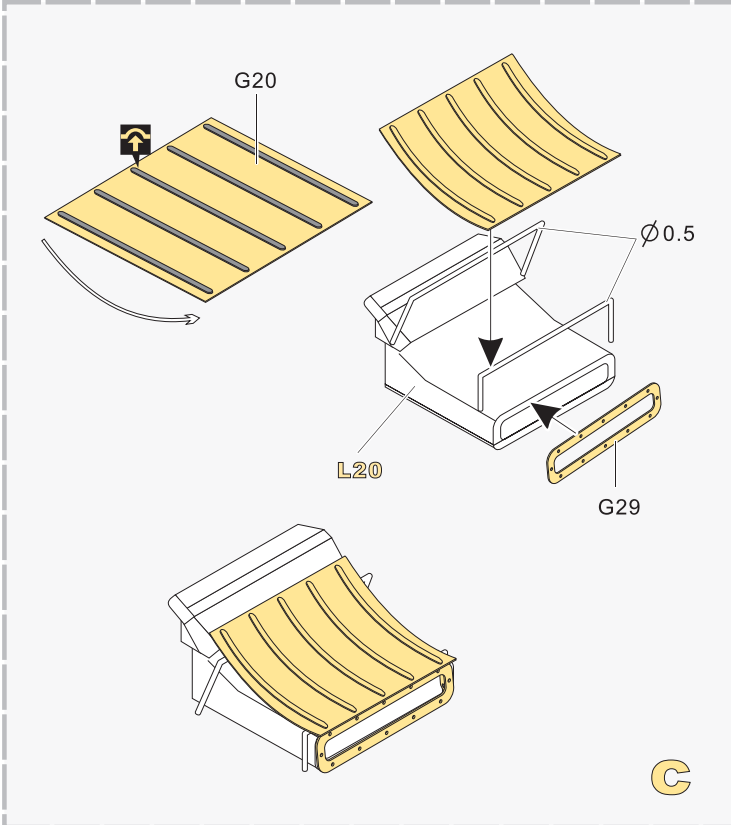
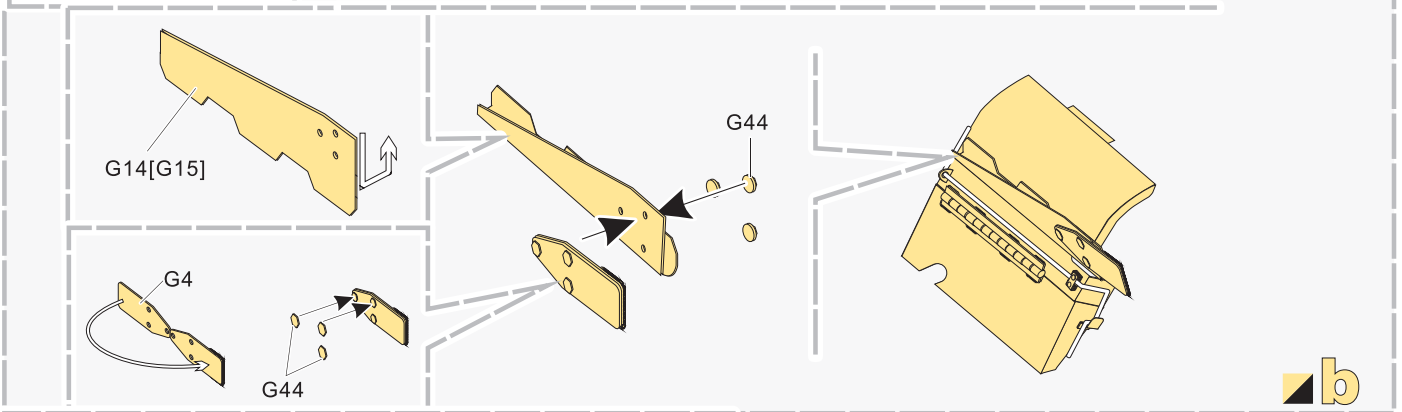
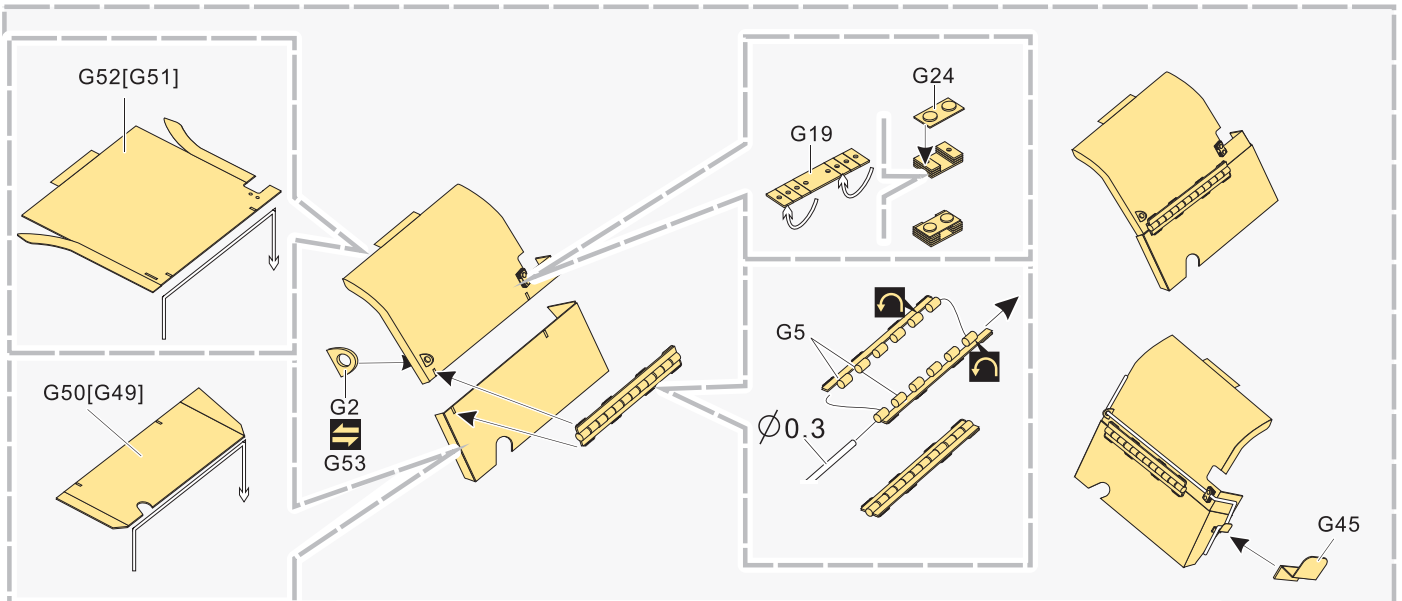
用尖端在凹槽处冲压  
use penpoint to press on the dent

蚀刻片零件内面朝上  
Put the part upside down

用笔尖在凹槽处刺  
Use penpoint to press on the dent



1/35 MILITARY MINIATURE VEHICLE UPGRADE SERIES PE351033



[Http://www.voyagermodel.com/productdetails.asp?itemid=PE351033](http://www.voyagermodel.com/productdetails.asp?itemid=PE351033)



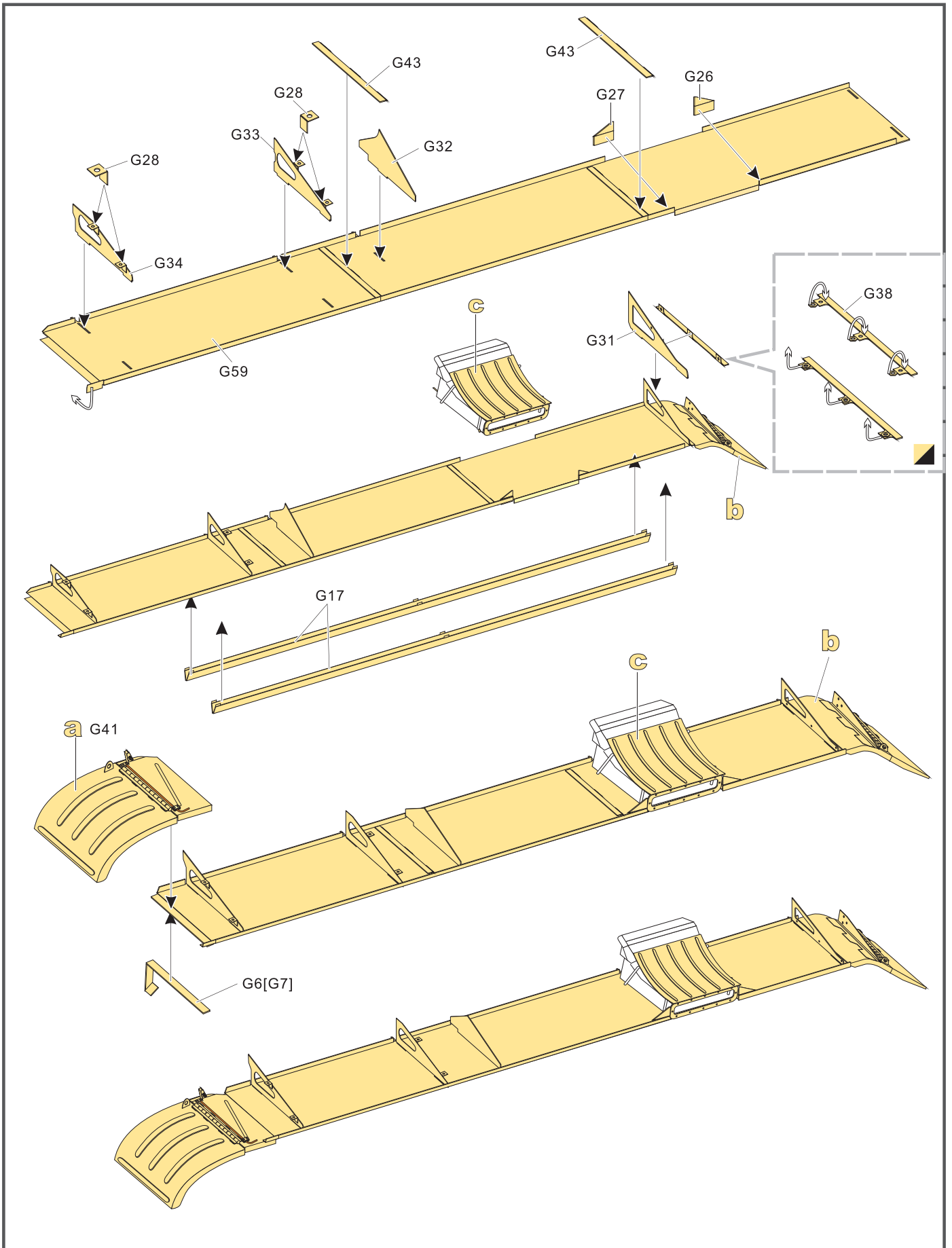
**VOYAGER  
MODEL**



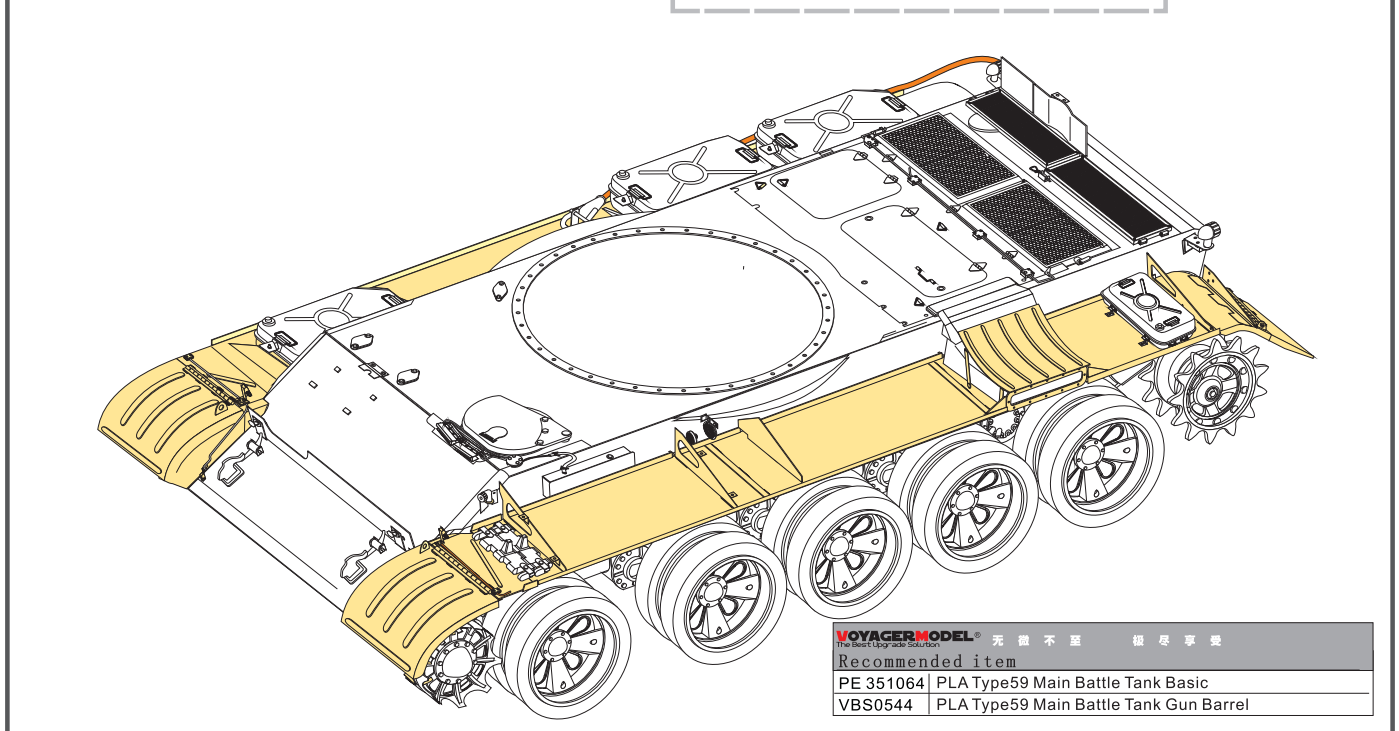
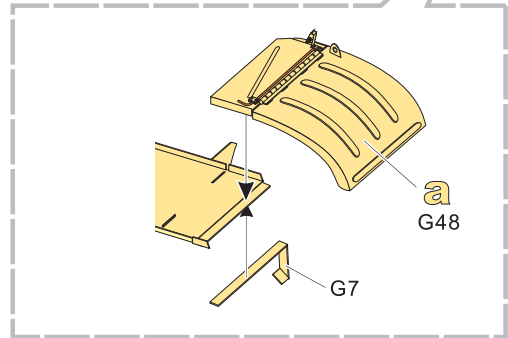
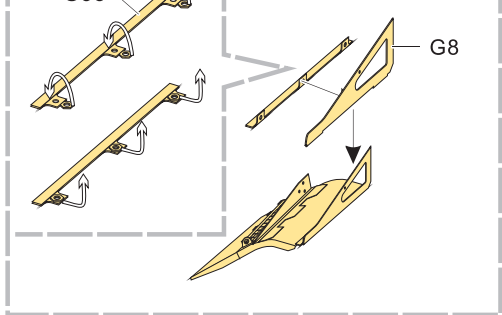
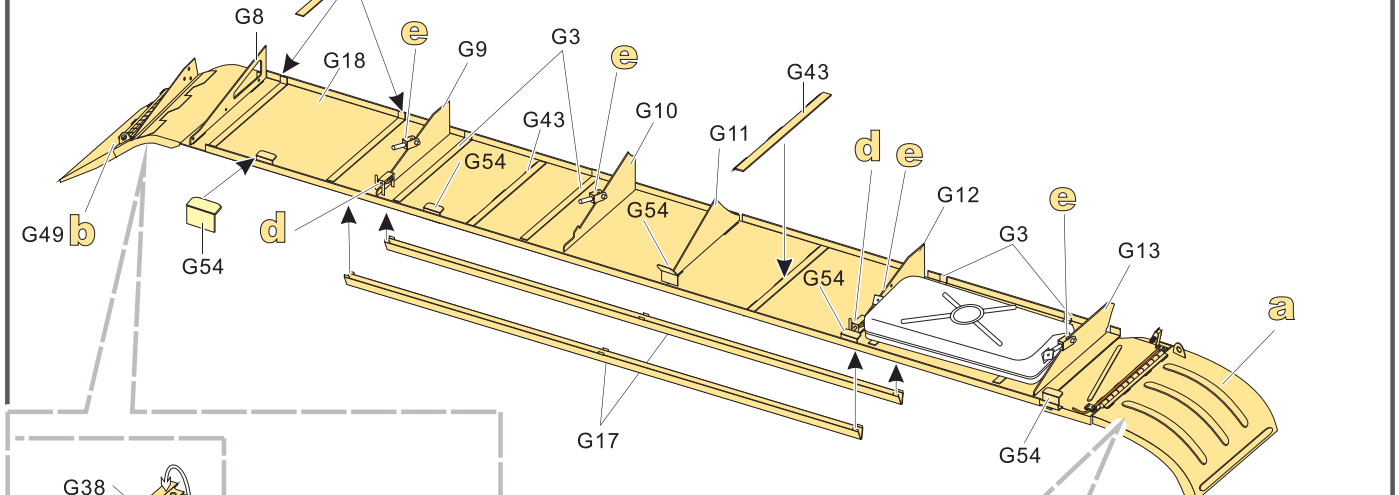
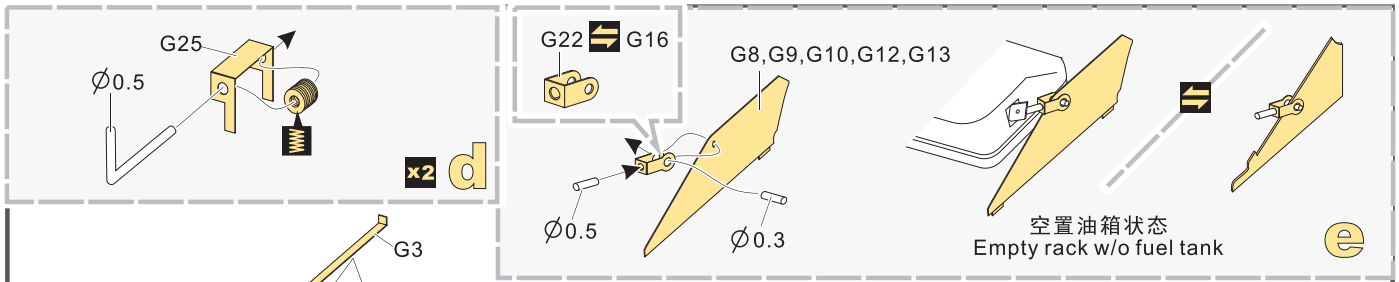
更多PE351033样品照片参考请扫一扫  
MORE PICTUER OF PE 351033  
REFERENCE SCAN HERE

C

1/35 MILITARY MINIATURE VEHICLE UPGRADE SERIES PE351033



1/35 MILITARY MINIATURE VEHICLE UPGRADE SERIES PE351033



**VOYAGERMODEL®** 无微不至 极尽享受  
The Best Upgrade Solution

Recommended item	
PE 351064	PLA Type59 Main Battle Tank Basic
VBS0544	PLA Type59 Main Battle Tank Gun Barrel