

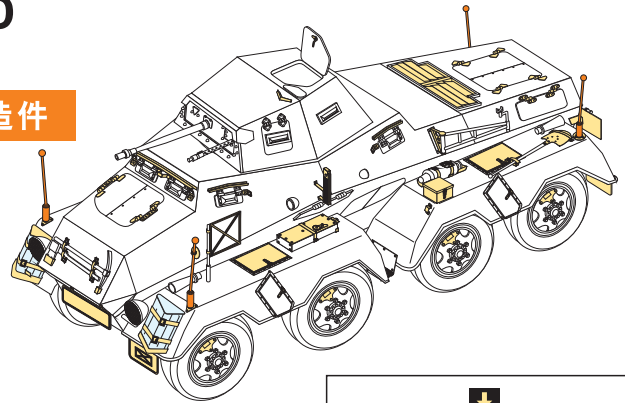
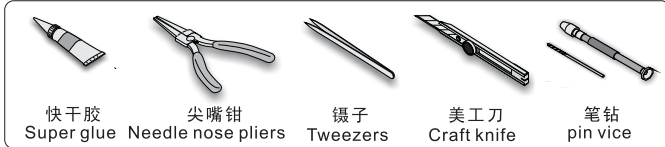
1/35 MILITARY MINIATURE VEHICLE UPGRADE SERIES PE35489

# WWII German Sd.Kfz.231 8ROD early version

## 二战德军Sd.Kfz.231 8轮重型装甲车早期型改造件

[For AFV 35231]

### 推荐使用工具 RECOMMENDED TOOLS



- 安装  
install
- 折叠  
bend
- A1**  
改造件零件编号  
PE/resin part number
- B12**  
原零件编号  
kit part number
- C22**  
被替换的原零件编号  
replaced kit part number
- 另一侧相同制作  
repeat on opposite side
- 切除  
remove
- 打磨  
grind off
- 弧度卷曲  
radial bending
- x2**  
制作若干组  
multiple assembly
- 选择安装  
alternative
- 钻孔  
drill
- 用胶棒制作  
make from plastic rod

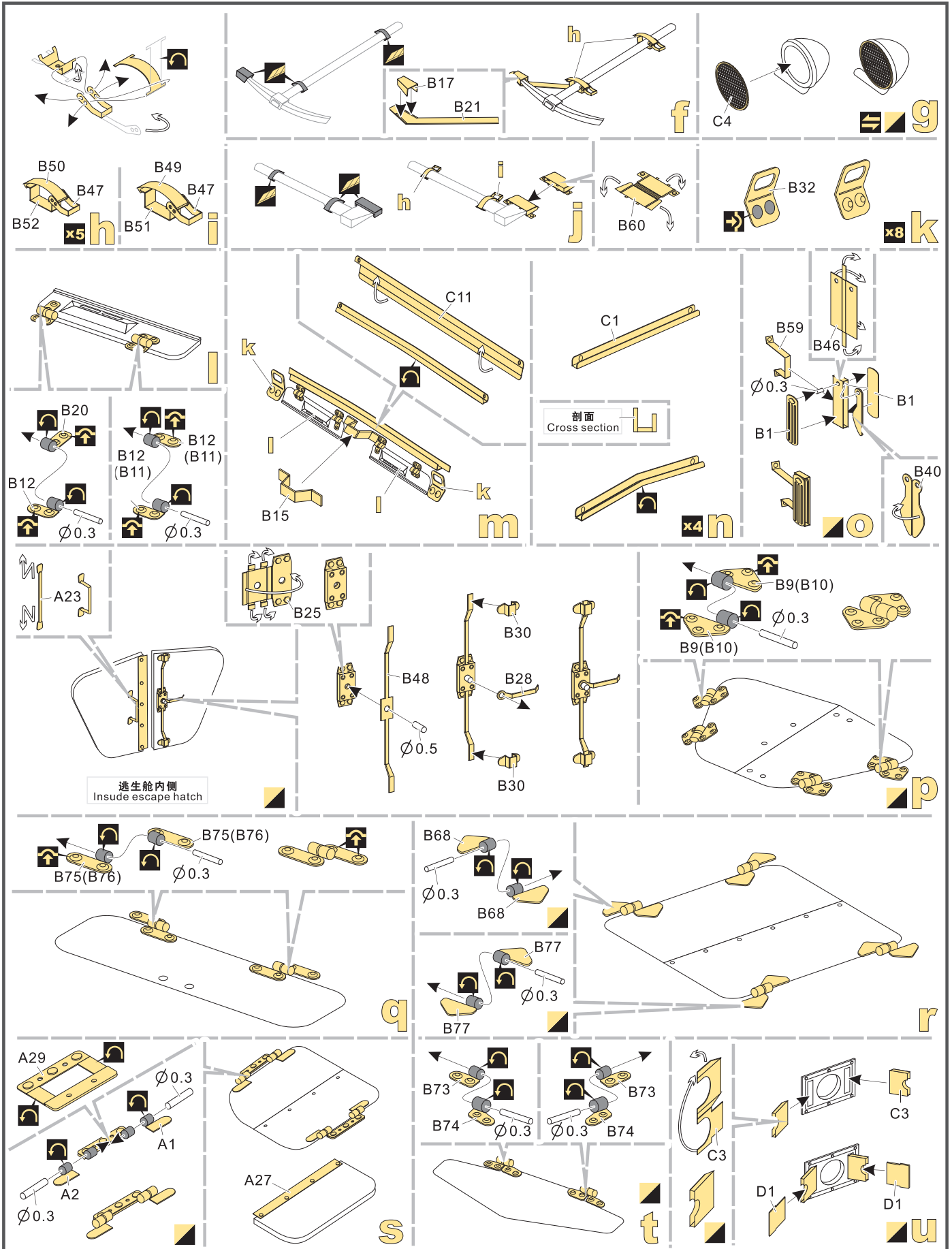
用尖端在凹槽处冲压  
use penpoint to press on the dent

蚀刻片零件内槽面向上  
Put the part upside down  
用笔尖在凹槽处刺  
Use penpoint to press on the dent

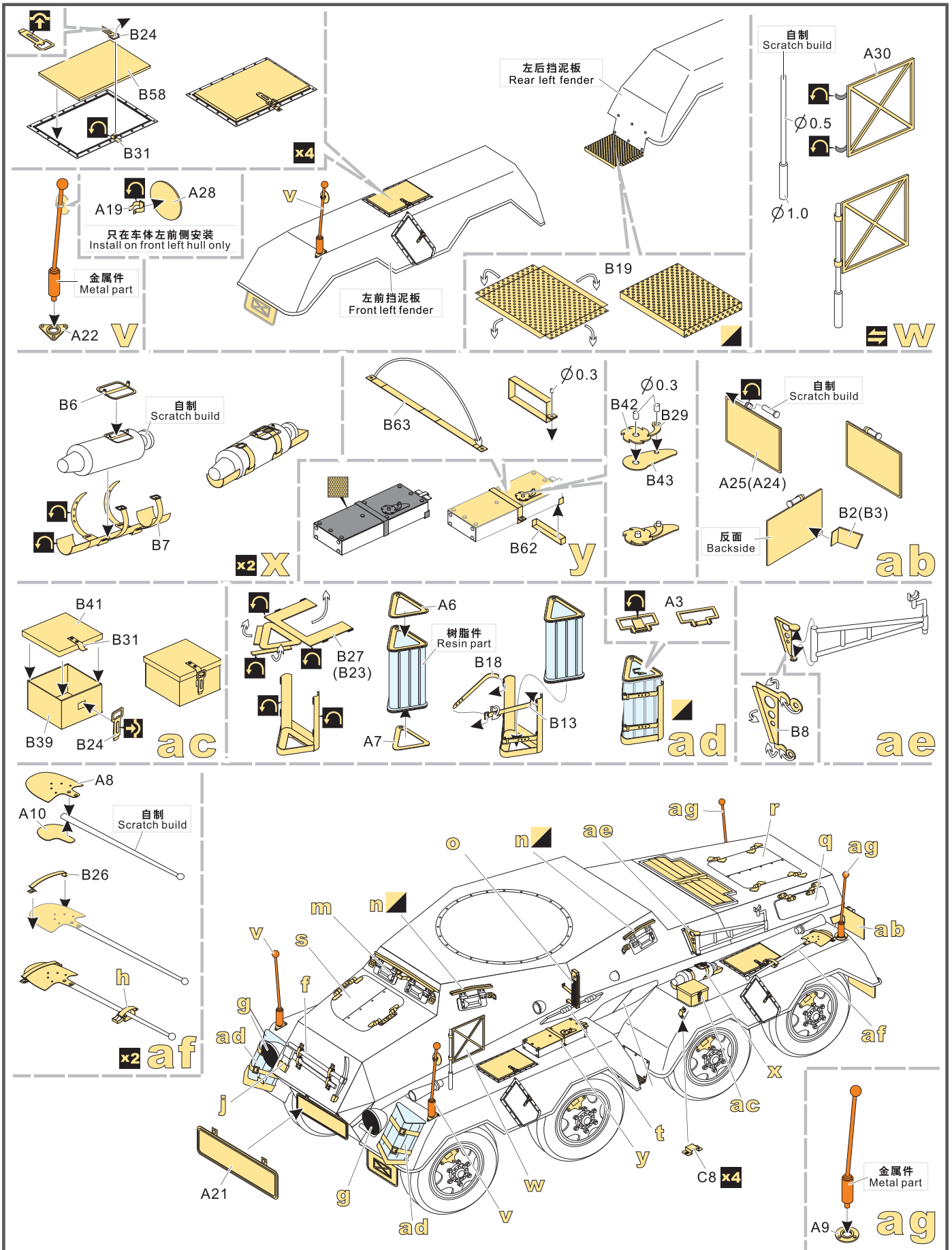
**俯视图 Top view**

Front    Rear

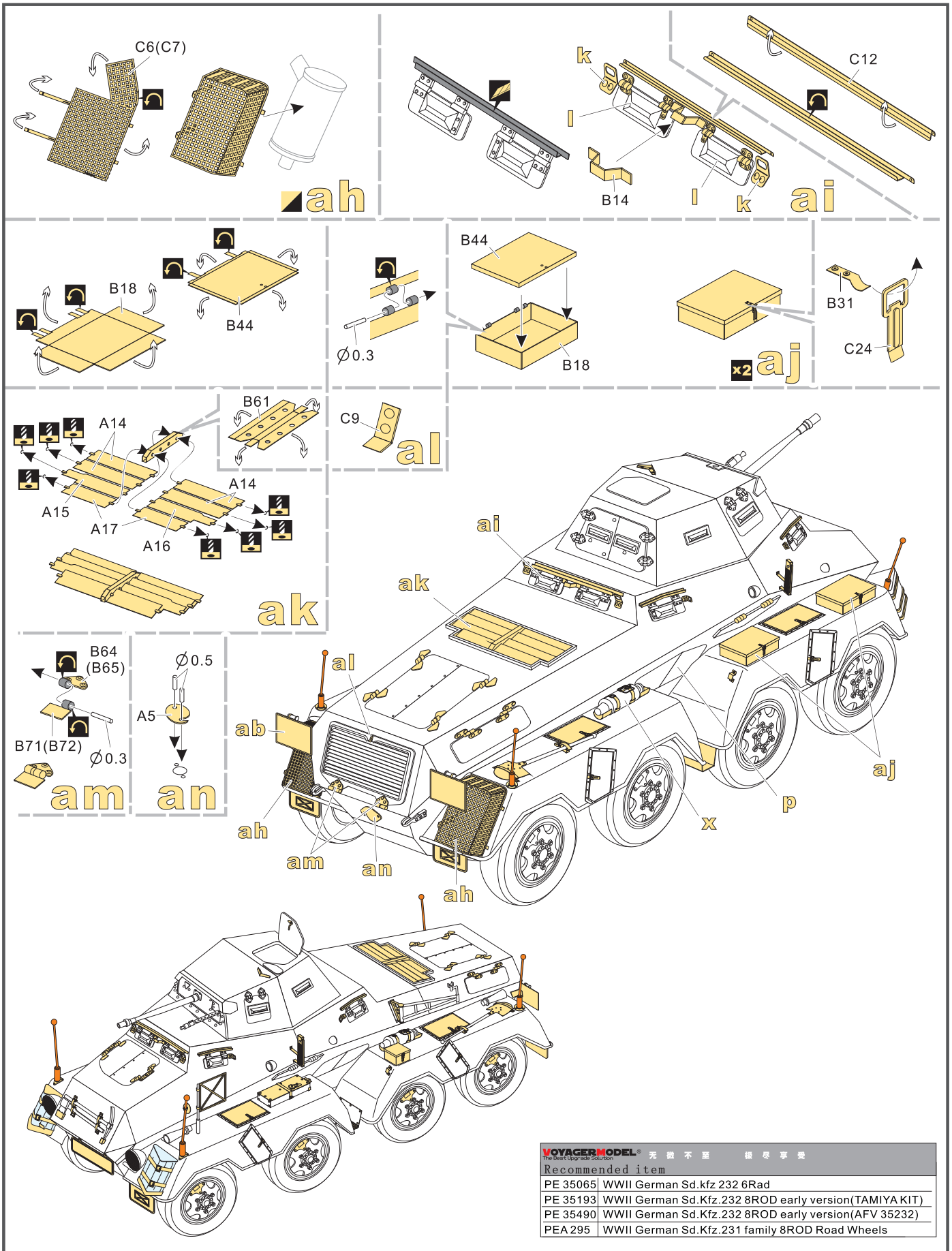
1/35 MILITARY MINIATURE VEHICLE UPGRADE SERIES PE35489



1/35 MILITARY MINIATURE VEHICLE UPGRADE SERIES PE35489



1/35 MILITARY MINIATURE VEHICLE UPGRADE SERIES PE35489



**VOYAGERMODEL®** 无微不至 极尽享受  
The Best Upgrade Solution

Recommended item	
PE 35065	WWII German Sd.kfz.232 6Rad
PE 35193	WWII German Sd.Kfz.232 8ROD early version(TAMIYA KIT)
PE 35490	WWII German Sd.Kfz.232 8ROD early version(AFV 35232)
PEA 295	WWII German Sd.Kfz.231 family 8ROD Road Wheels