

7491  
1/72

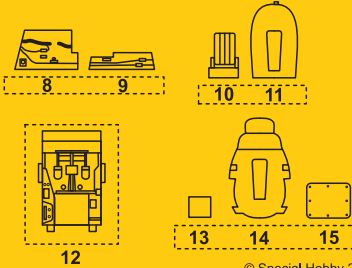
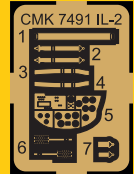
**Ilyushin Il-2  
Cockpit**  
for Tamiya kit



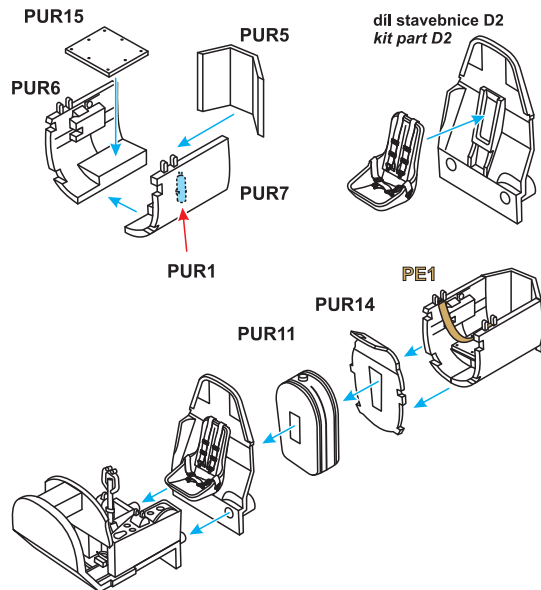
**PUR - Polyurethane parts**



**PE - Photo-etched parts**



© Special Hobby 2022



Díly ohnuté popř. pokroucené vlivem teplotních změn a stárnutí materiálu, mohou být narovnané do požadovaného tvaru pomocí proudu teplé vody nebo vzduchu (fén na vlasy). K lepení použít kyanoakrylátové lepidlo! Kontaktní plochy doporučujeme před lepením odmastit. Různé drátky a tyčinky nejsou přiloženy.

Parts slightly distorted and bent owing to temperature changes or due to material aging can be straightened to requested shape by hot water or hot air jet (hair dryer). This process can be repeated till result is entirely satisfactory. For best result use cyanoacrylate glue! Ungreasing contact areas is recommended before gluing. Wires and rods not included.

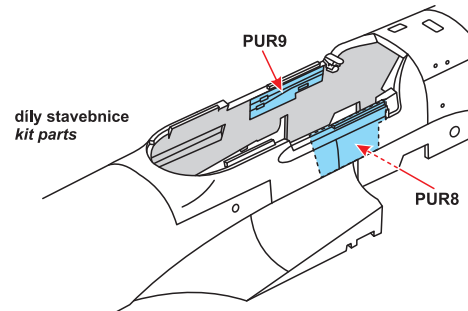
[www.cmkkits.com](http://www.cmkkits.com)  
[www.specialhobby.eu](http://www.specialhobby.eu)  
[www.facebook.com/specialhobby/](https://www.facebook.com/specialhobby/)



**CMK H1010**

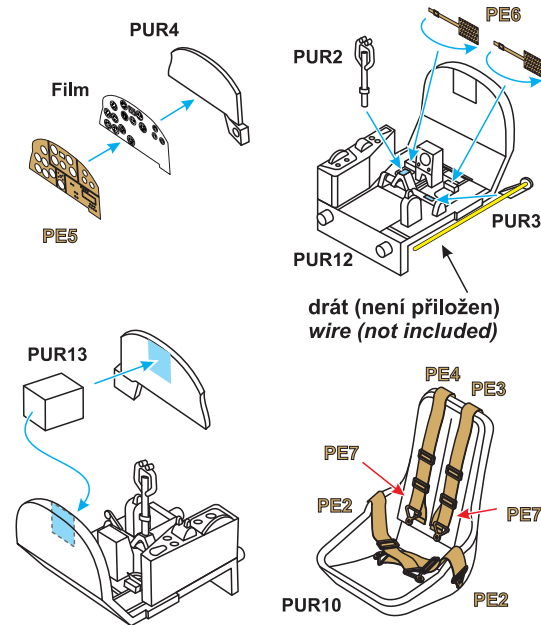
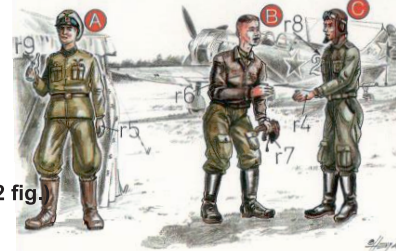
The Razor Saw with Handle (cat. n. H1010) is a great tool for cutting both plastic and resin. CMK also offers a wide variety of coarse / medium / fine saws.

Special Hobby, Mezilesí 718, Praha 9, 193 00, Czech Republic  
e-mail: [office@specialhobby.eu](mailto:office@specialhobby.eu)



Special Hobby offers for Ilyushin Il-2 kit CMK Figures F72047 Soviet Pilots (2 fig.) and Mechanic and CMK 7492 Ilyushin Il-2 Control Surface set as well

**F72047  
Soviet Pilots (2 fig.)  
and Mechanic**

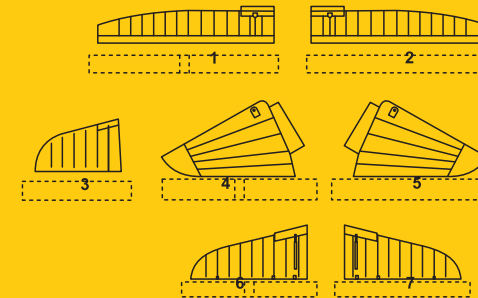


7492  
1/72

**Ilyushin Il-2  
Control Surfaces**  
for Tamiya kit



**PUR - Polyurethane parts**



© Special Hobby 2022