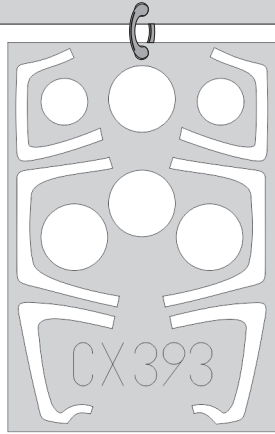


**eduard**  
**MASK**

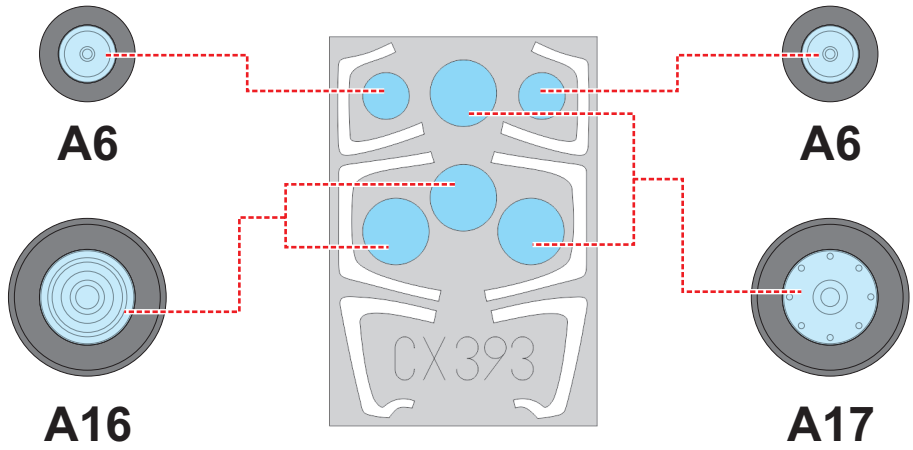
**CX 393**

# Su-27 Flanker B 1/72

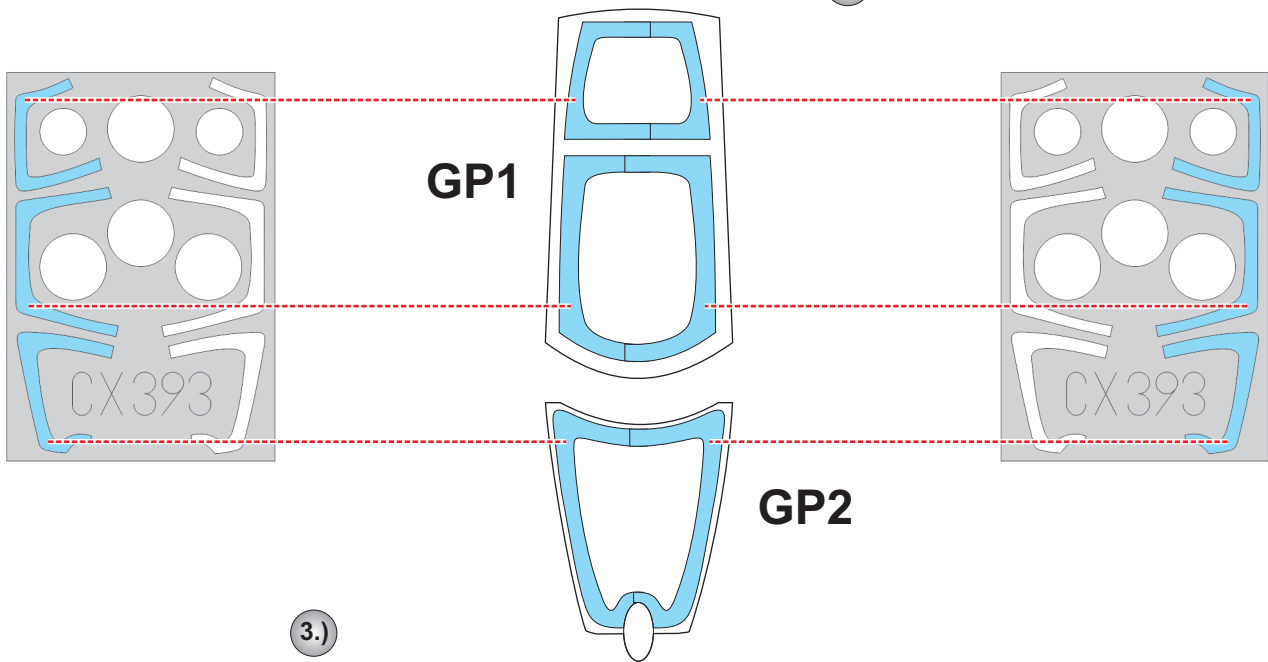
The die-cut mask for accurate canopy frame painting of the  
*Trumpeter* scale 1/72 KIT



1.)

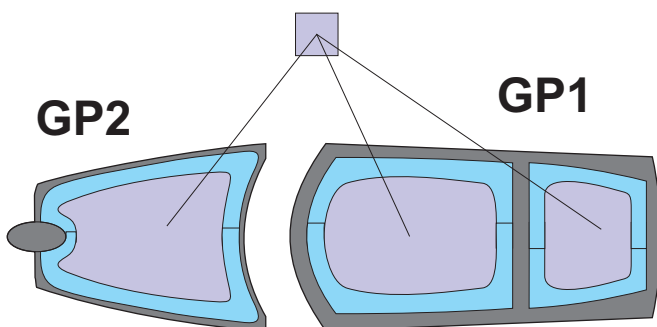


2.)



3.)

**LIQUID MASK**



4.)

