

Set  
AFV35-01

**AIRWAVES ARMOUR**

M3/M5 STUART

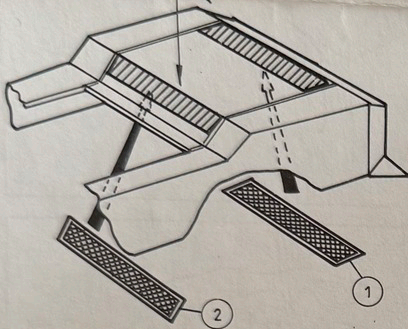
This detail set is manufactured from photo etched brass sheet and is meant for use on the Tamiya model kits.

To separate components from frame use a sharp modelling knife on a firm surface, cutting as near to the part as possible. Tag scars can be cleaned by holding part in pliers and using a fine file. To fold part, support up to line of fold and, fold in one go, using a screwdriver blade for leverage. For assembly use superglue or five minute epoxy. Prior to painting ensure that parts are thoroughly cleaned by washing in detergent and that they are primed with either self etching primer or matt enamel. Position of parts in diagrams are for guidance only, for final positioning and colouring consult reference material.

Airwaves are distributed by E.D. Models, 64 Stratford Road, Shirley, Solihull, West Midlands B90 3LP, England. Telephone: 021-744-7486. Fax: 021-733-2591.

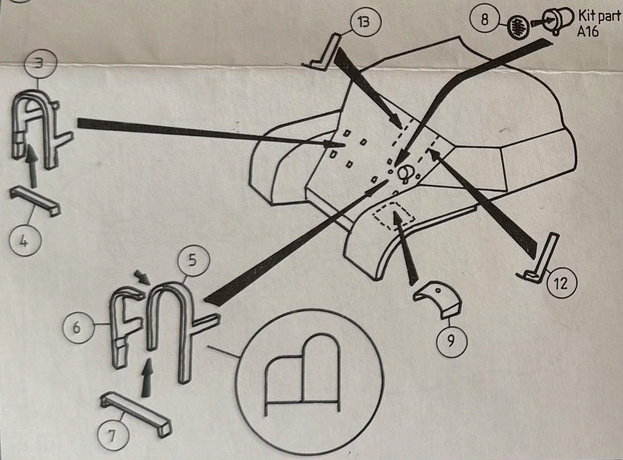
1 M5 Engine Grilles

Carefully remove shaded areas from rear of kit hull.



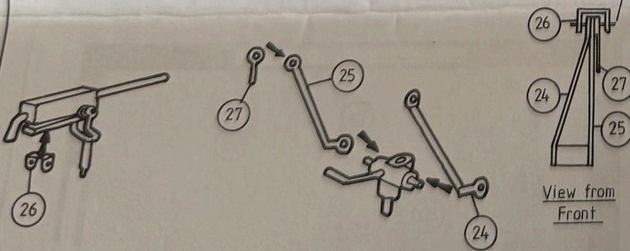
Locate brass grilles from inside of hull

2 M5 Hull Front



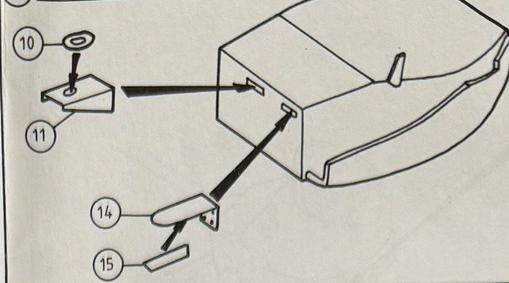
3 M5 Machine Gun Transit Locking Mount

Stretched Sprue

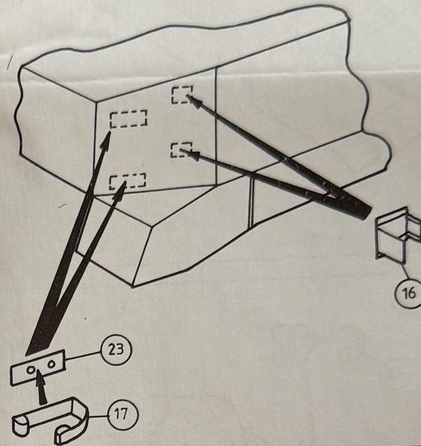


See enlarged detail 11 overleaf

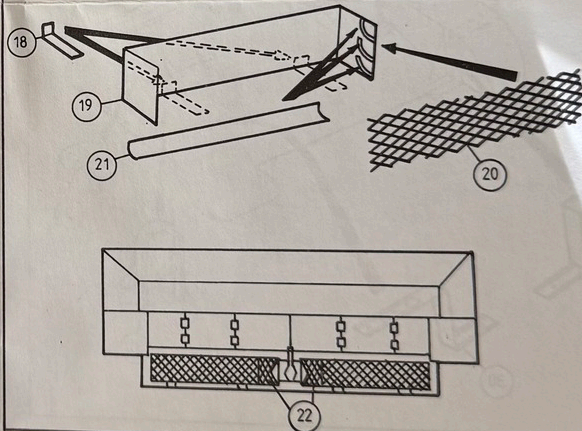
4 M5 ANTENNA MOUNTS



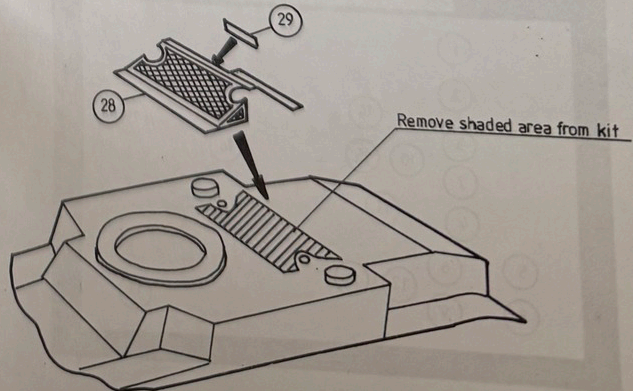
5 M5 Rear Brackets



6 M5 Rear Carriers

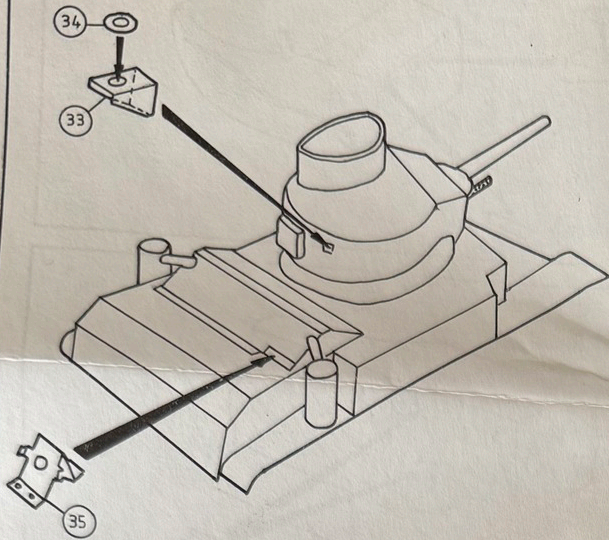


7 M3 Rear Grille

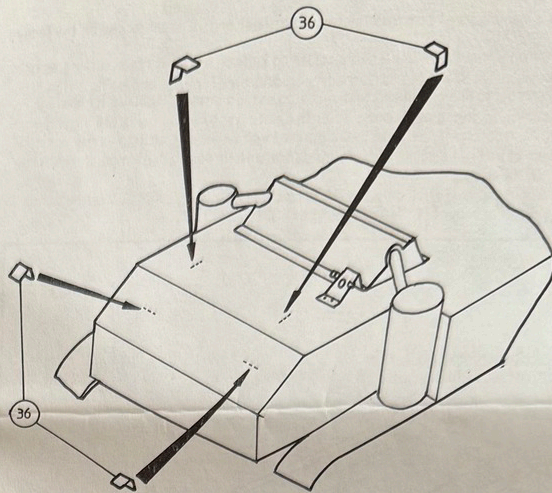




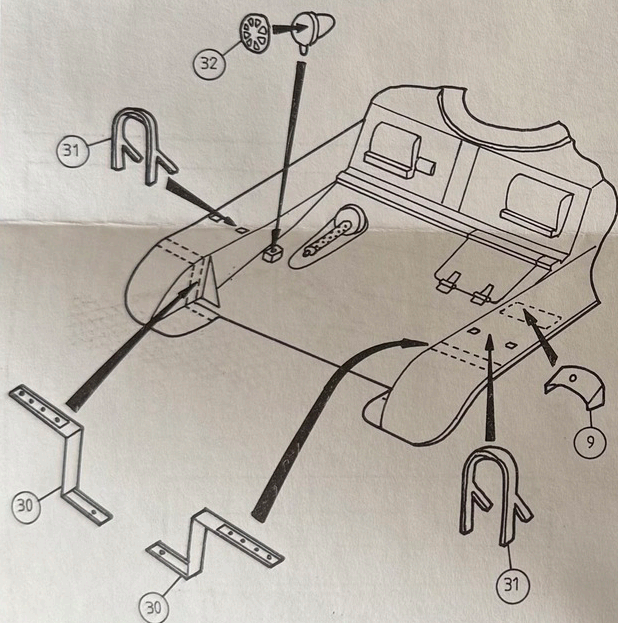
8 M3 AERIALS



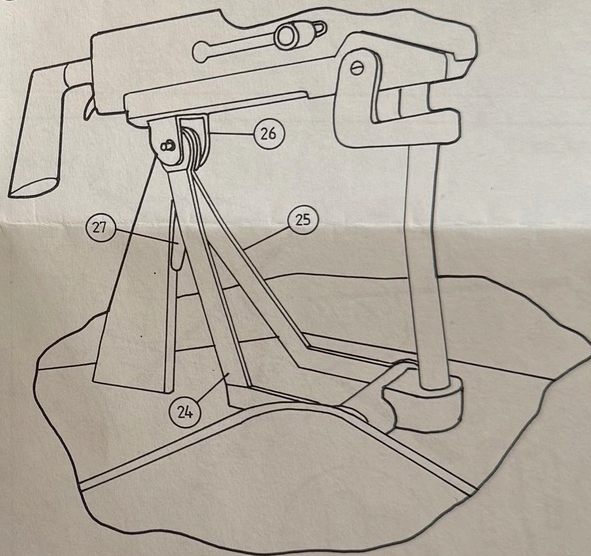
10 Tie Down Cleats



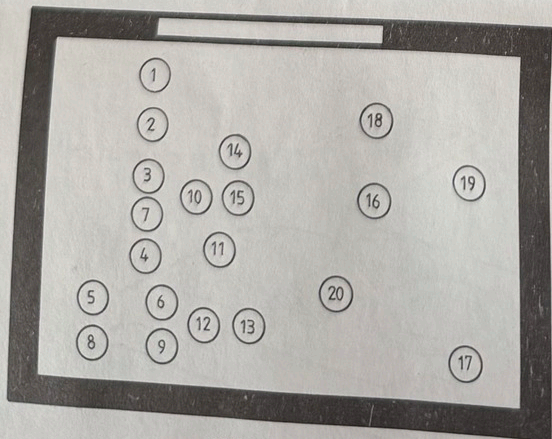
9 M3 Hull Front



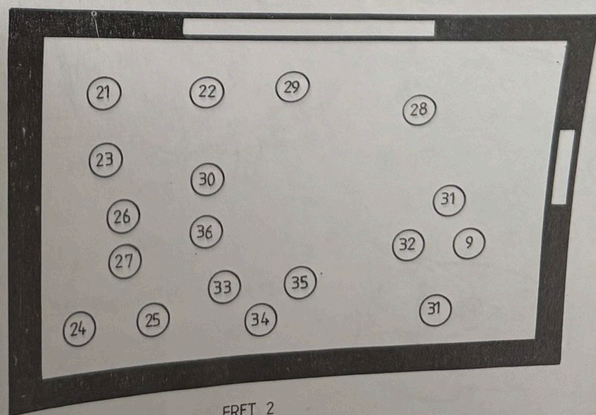
11 Enlarged Detail of M5 Gun Mount



12 Component Frame Layout



FRET 1



FRET 2