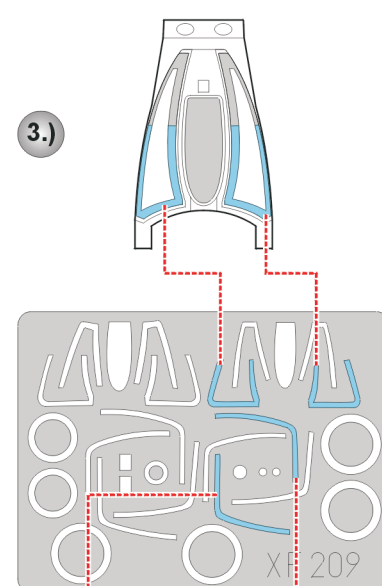
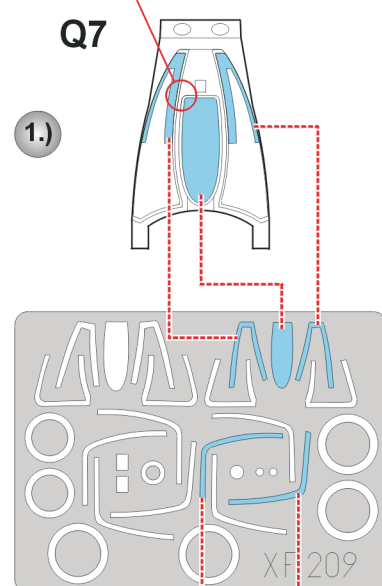
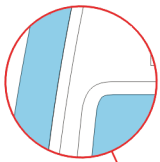
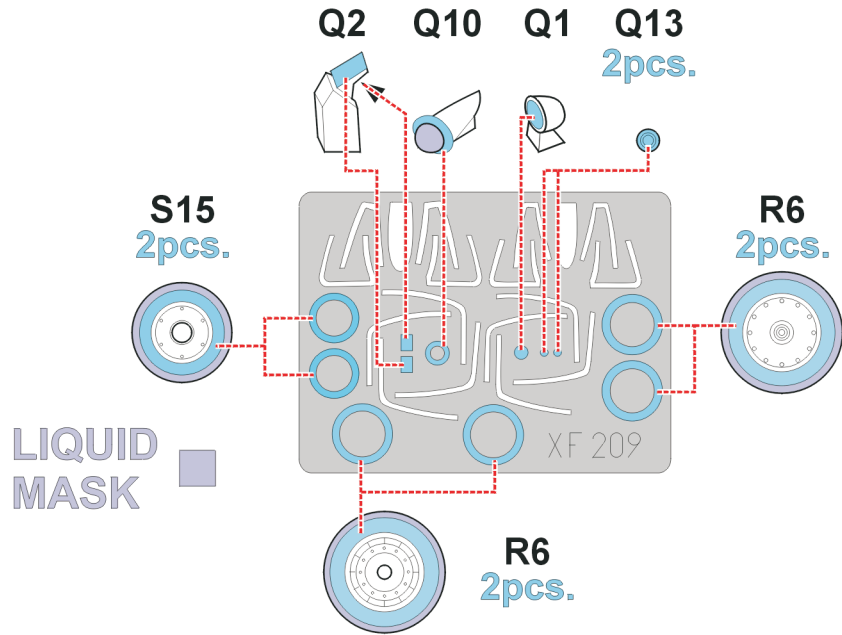
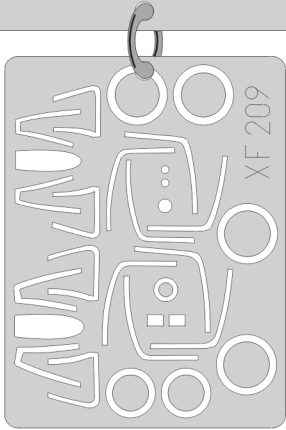


eduard
Express Mask

XF 209

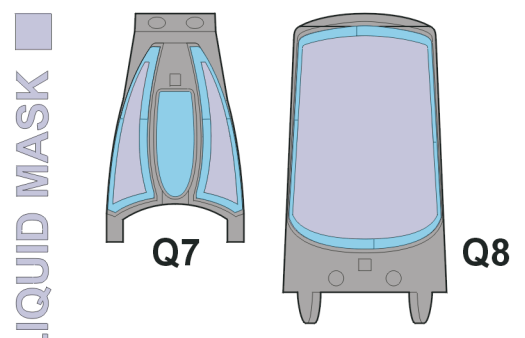
F-8E Crusaidier II

The die-cut mask for accurate canopy frame painting of the
Hasegawa 1/48 KIT

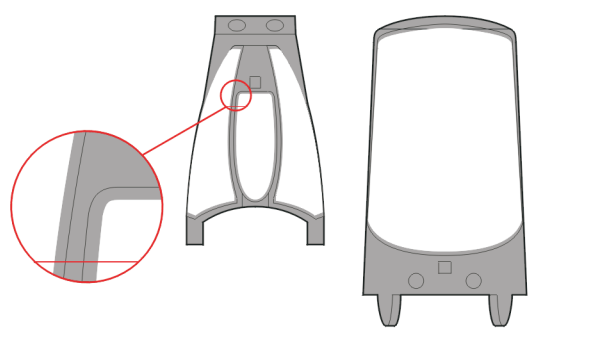


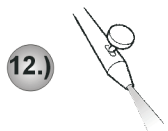
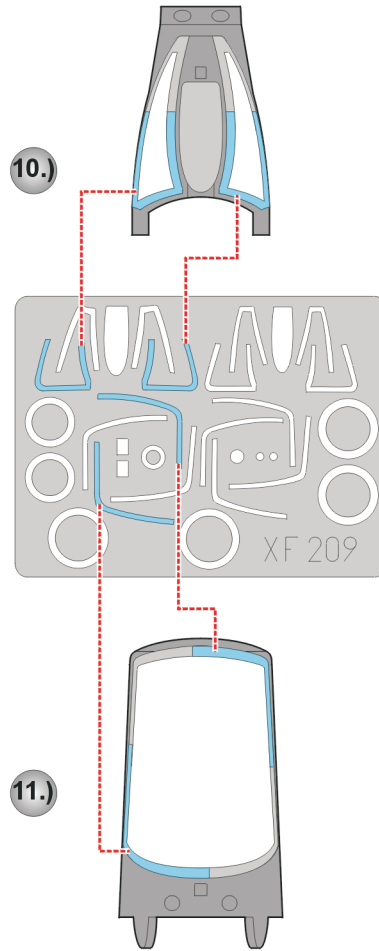
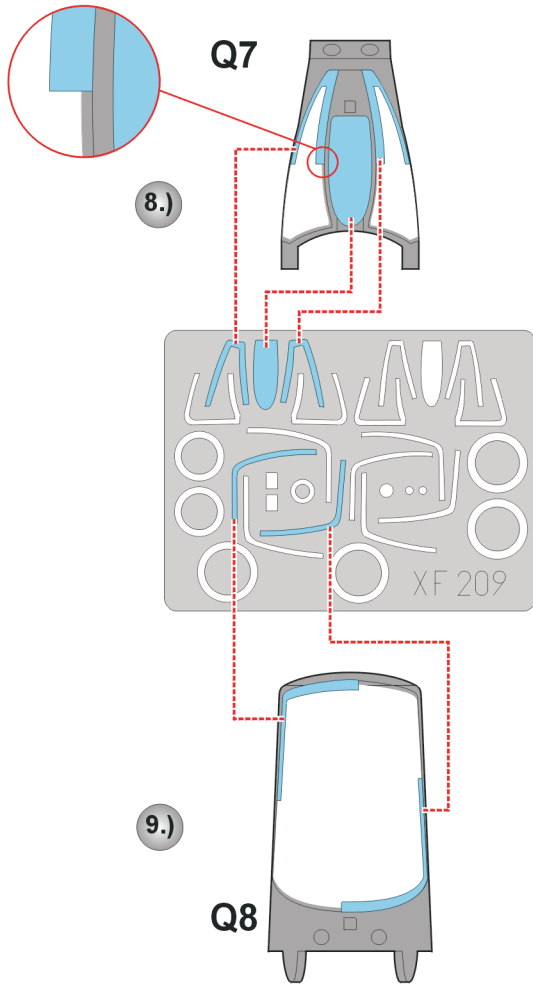
5.) **INTERIOR COLOR**

6.) **RUBBER COLOR**

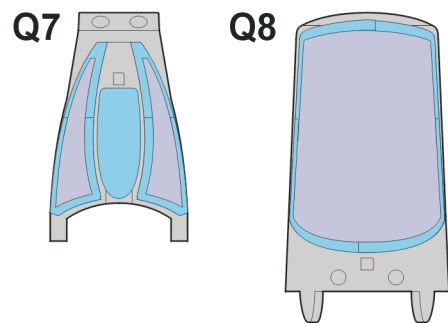


7.) **REMOVE MASK**





CAMOUFLAGE COLOR



LIQUID MASK ■



REMOVE MASK

