

1/48 SCALE

# MiG-21F-13 Fishbed

米格-21F-13“鱼窝”战斗机

## READ BEFORE ASSEMBLY:

- Study and understand these instructions thoroughly before beginning assembly
- When needed, remove photo-etch parts carefully using a modeling knife or photo etch sprue cutter, being careful not to damage or lose small parts.
- Take extra care in handling photo etch parts in order to avoid injury
- Apply instant cement sparingly to photo etch parts where instructed
- Tools recommended(not included in kit):Plastic and instant cements,sprue cutters,long nose pliers,modeling knife, small files, tweezers, pin vise & scissors. Soft cloth and sandpaper will also assist in construction
- Glue and paint are not included in the kit. Use plastic cement and hobby paints only. Color guide for purchasing paint is included in the kit.

## 装配之前仔细阅读

- 小心用模型锉刀锉平所有零件表面的注射浇口。
- 小心用刀片切下蚀刻片零件，不要遗失小零件。
- 用强力快干胶水粘合蚀刻片零件和金属轴。过量快干胶水使用可能导致可动零件会粘住，小心涂胶。
- 取蚀刻片时应特别注意安全，防止利边划伤手指。
- 某些零件表面需贴水上贴纸，请选择在装配的同时进行。
- 推荐模型工具(自备)：胶水，水口剪刀，长咀钳，刀片，锉刀，镊子，钳，钻，剪刀，瞬间快干胶。
- 软布同砂纸同时也应该是必备工具。
- 请使用塑料胶水和油漆，模型内不含。

## 水贴纸的使用:

1. 从水贴上剪下印花;
2. 将印花放入温水中浸10秒，然后放在干净布上。
3. 拿着印花纸板将印花移到模型上;
4. 手指蘸水将印花移到适当的位置;
5. 用软布轻压印花直至水干，气泡消失。

## DECAL APPLICATION:

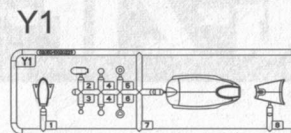
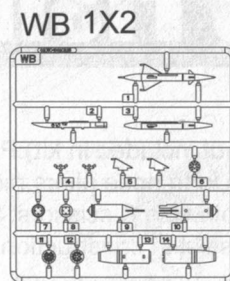
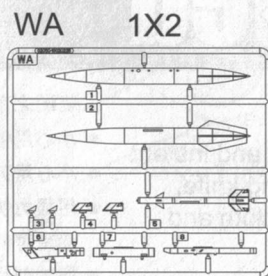
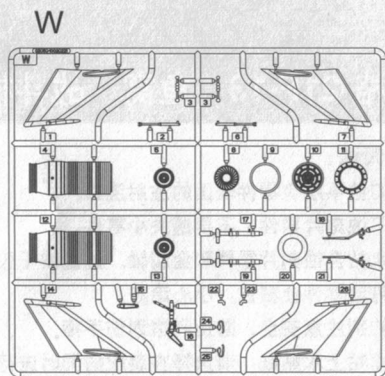
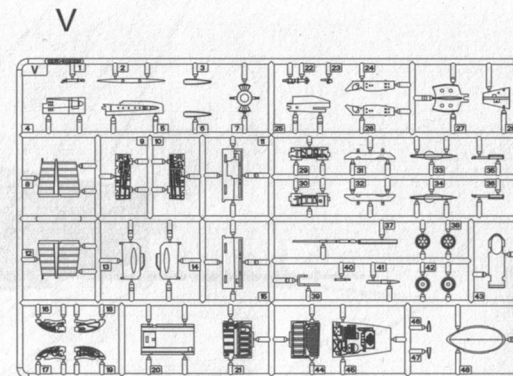
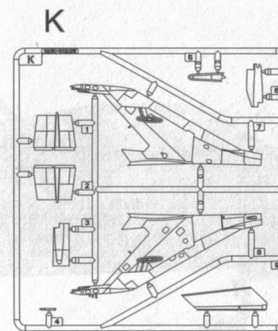
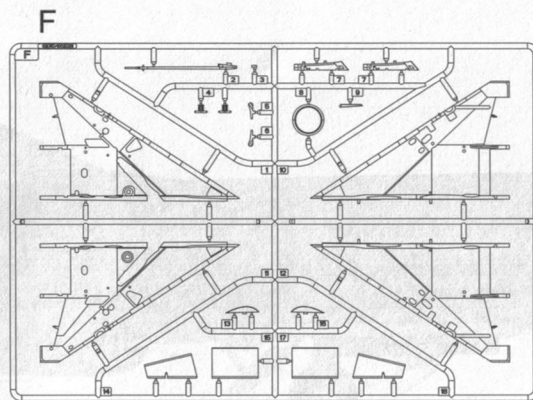
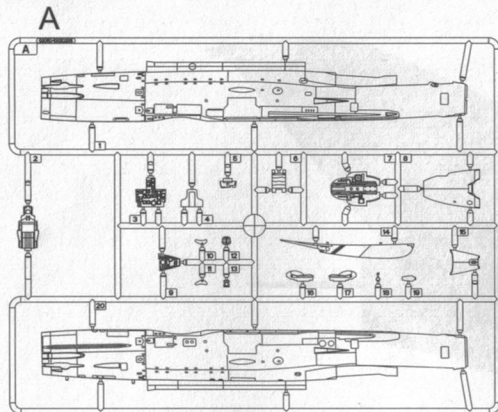
1. Cut decals from sheet as needed
2. Dip the decal in warm water for about 10 seconds and then place on soft clean cloth.
3. Hold the decal backing sheet edge and gently slide the decal onto the model in its proper position.

4. While still wet, decal can be adjusted for better fit on model by dampening it gently with your finger.
5. When placed in the proper position, gently press decal down with a soft cloth until excess water and air bubbles are gone.
6. Allow decal to dry completely before handling model

cyanoacrylate glue  
使用强力胶weight  
配重make hole  
钻孔cut / remove  
切除option  
选择no cement  
不涂胶水decal  
贴纸bend  
弯曲file / sand  
锉平

部品图

Parts



水贴  
Decal



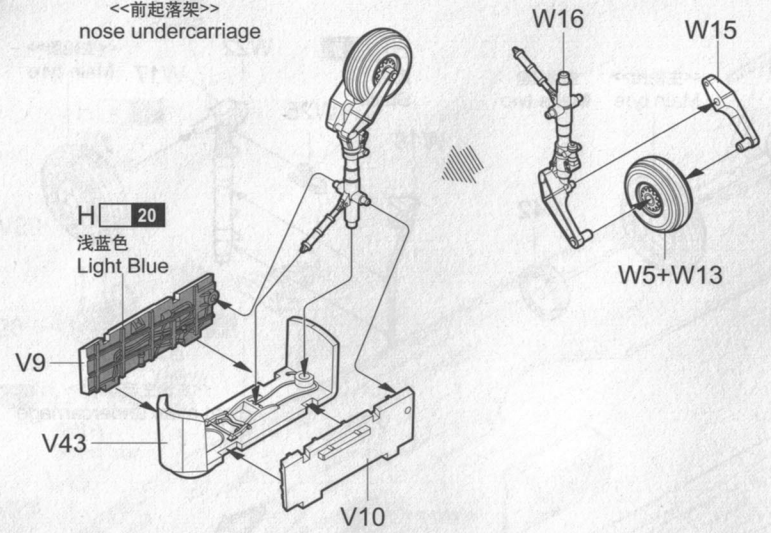
(A)

(B)

不用部品: A15 V8 V12 PE5  
Unused Parts

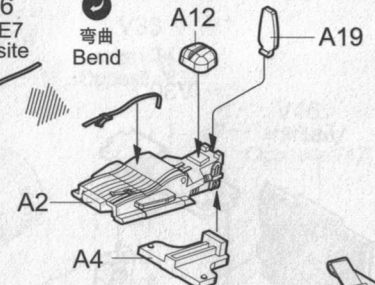
1

<<前起落架>>  
nose undercarriage



PE6  
对侧PE7  
Opposite

弯曲  
Bend

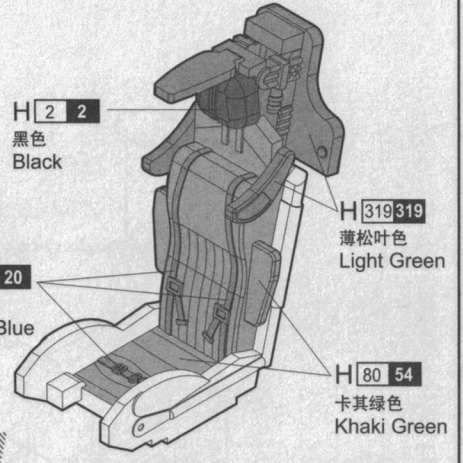


H 2 2  
黑色  
Black

H 319 319  
薄松叶色  
Light Green

H 20  
浅蓝色  
Light Blue

H 80 54  
卡其绿色  
Khaki Green



PE2  
弯曲  
Bend

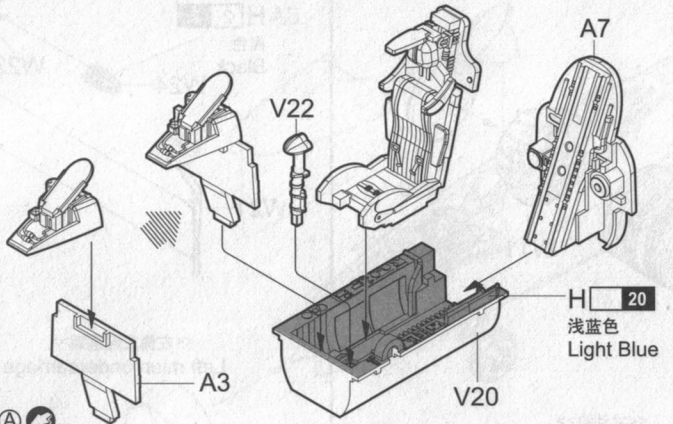
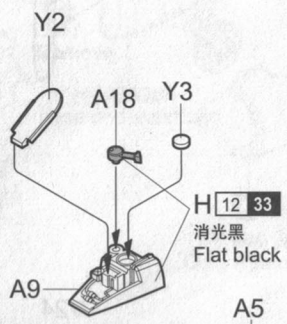
A17

PE1

A10  
对侧A11  
Opposite

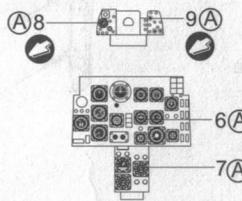
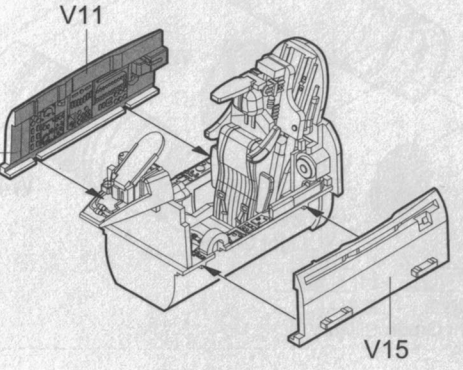
A6

A16



H 20  
浅蓝色  
Light Blue

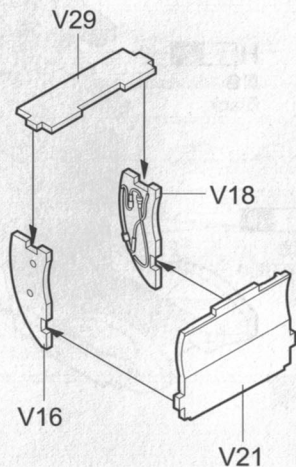
<<座舱>>  
Cockpit



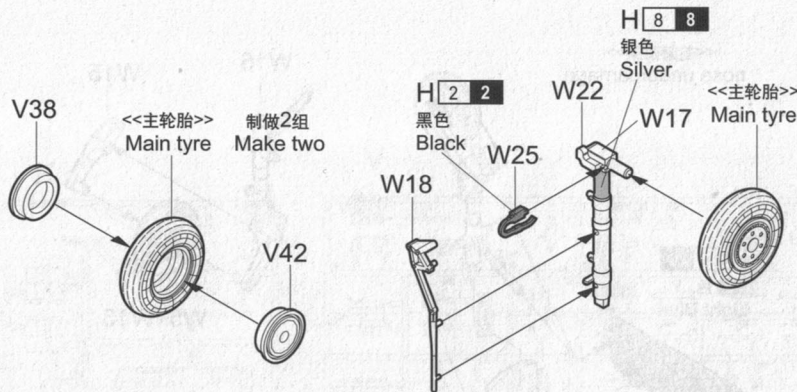
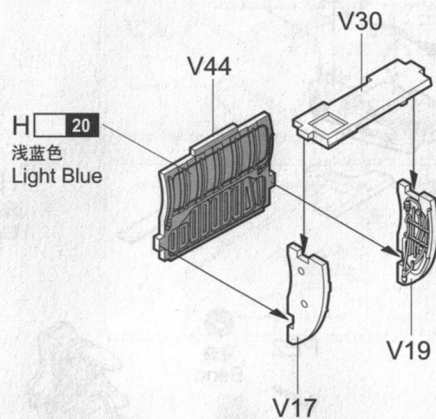
贴纸  
Decal

2

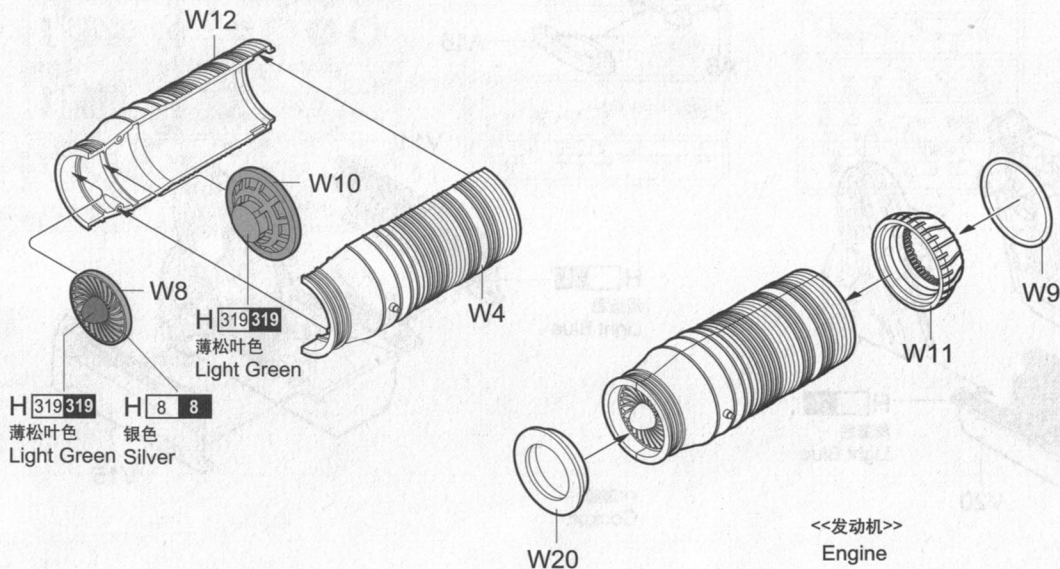
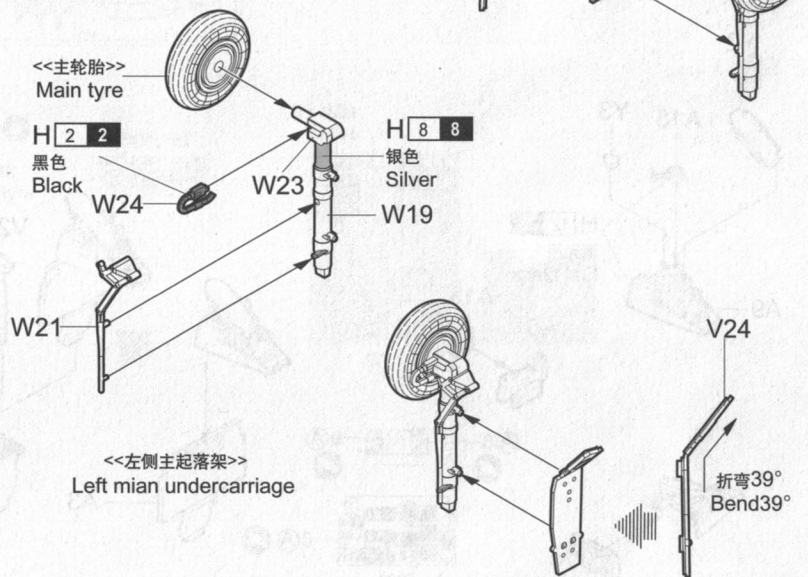
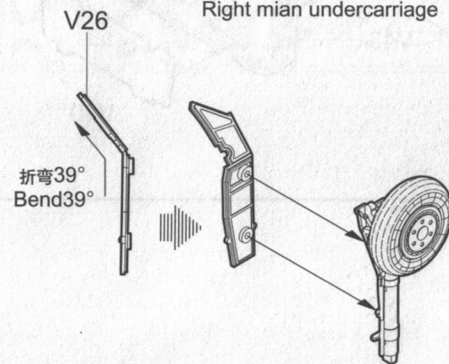
<<A>>

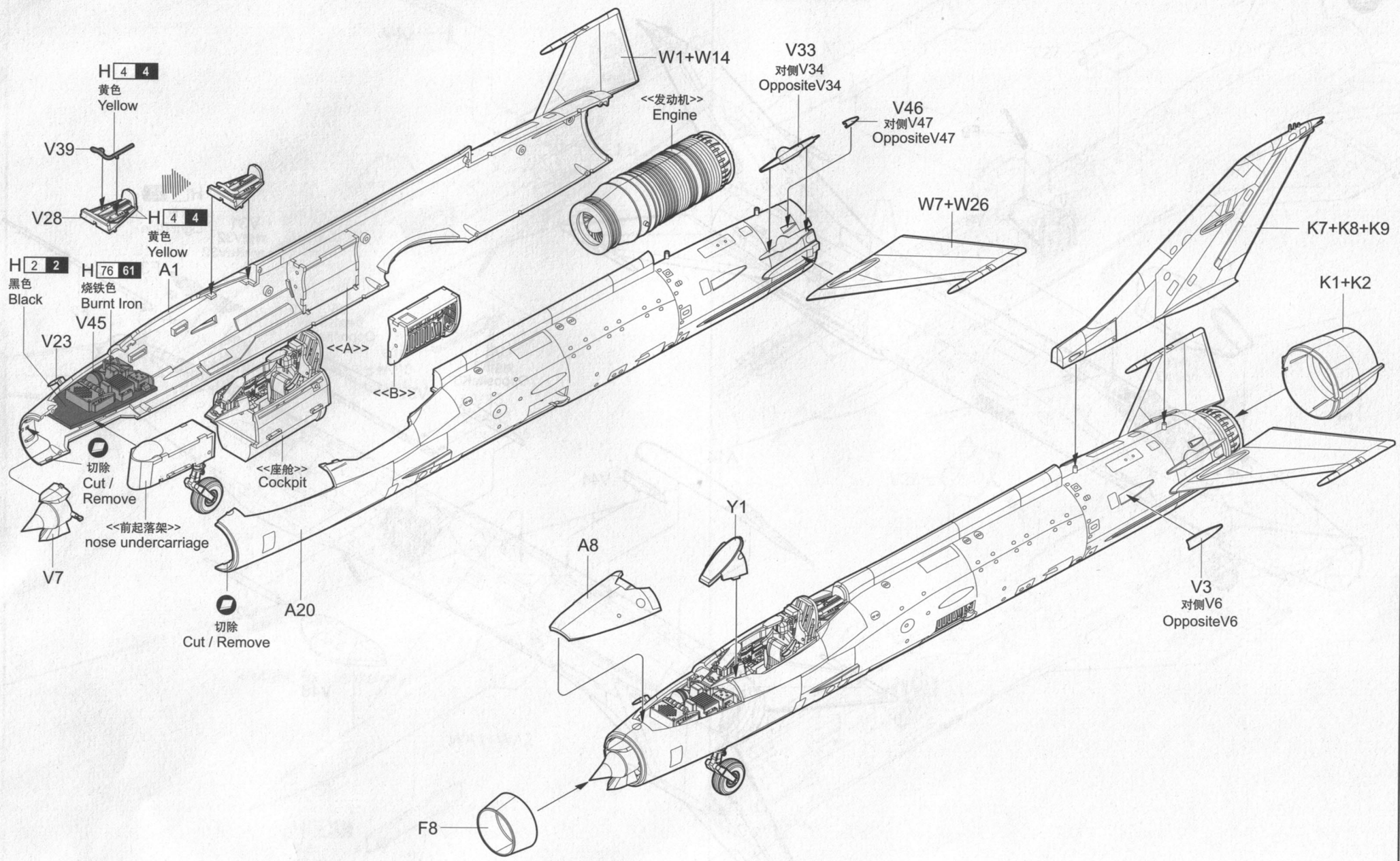


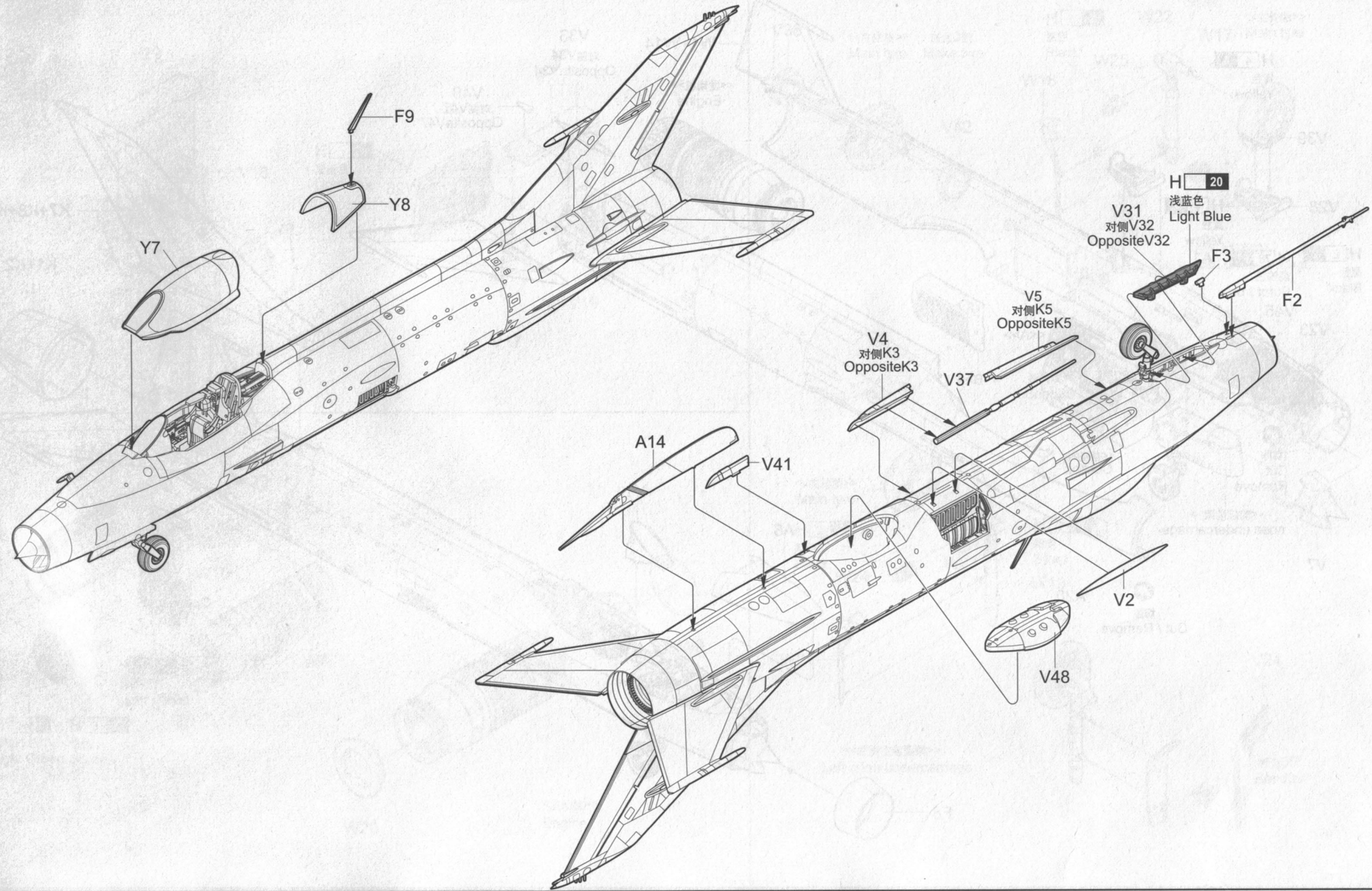
<<B>>



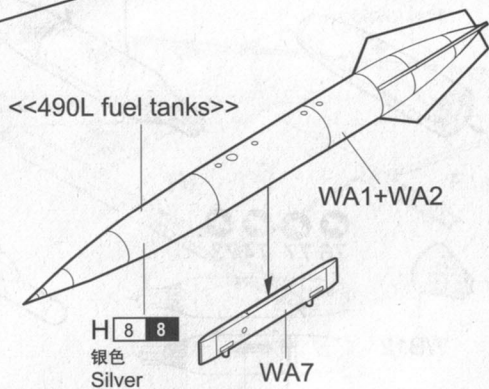
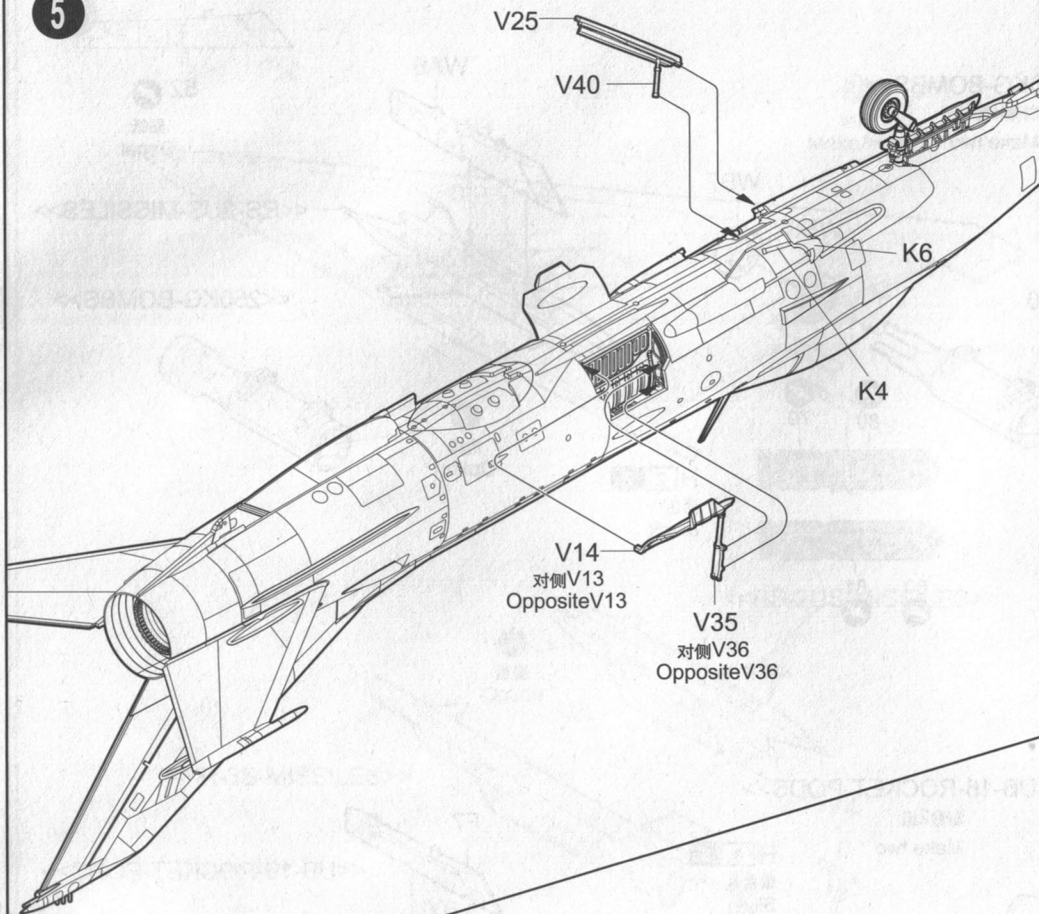
<<右侧主起落架>>  
Right main undercarriage



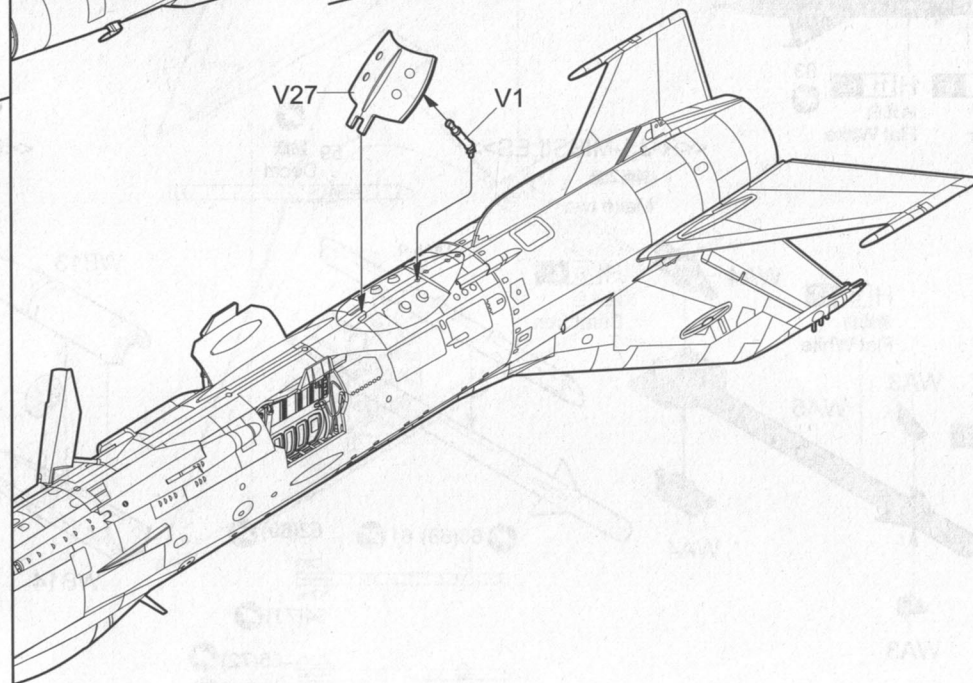
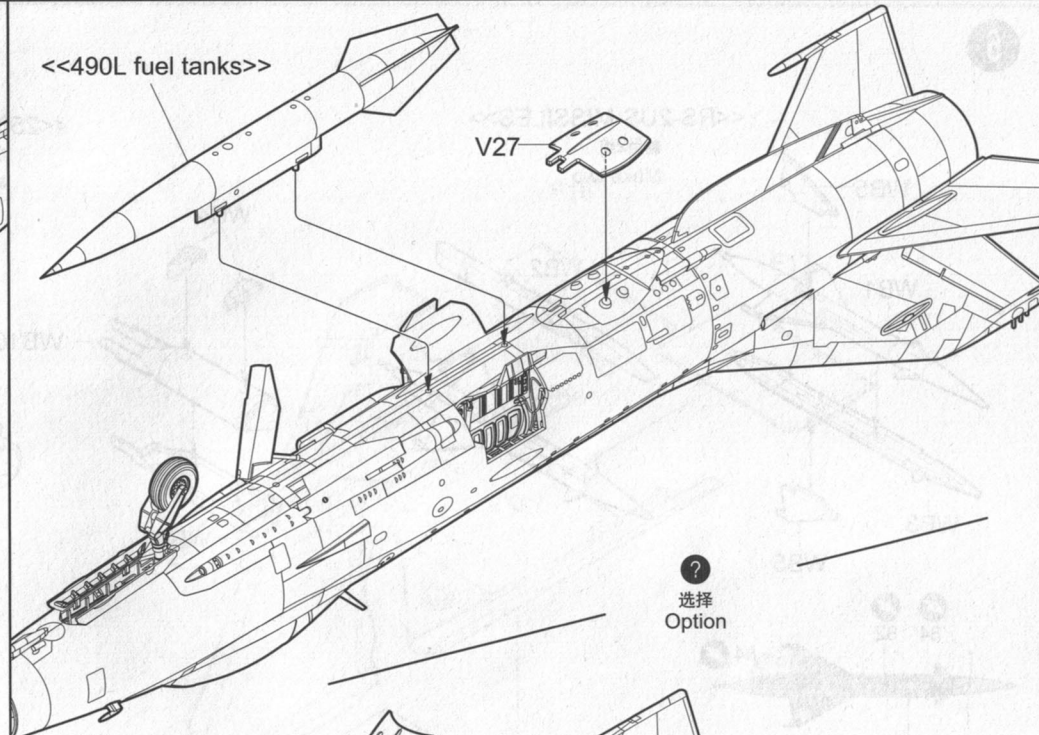




5

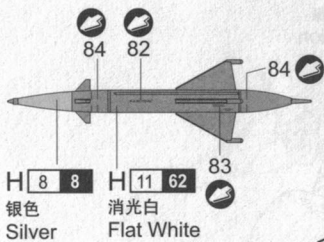
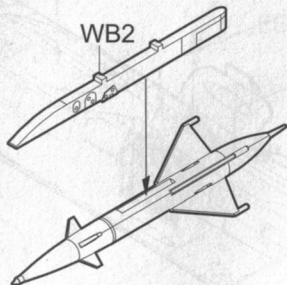
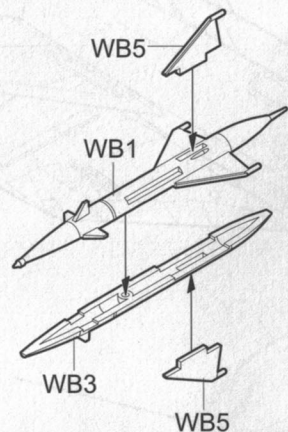


<<490L fuel tanks>>



<<RS-2US-MISSILES>>

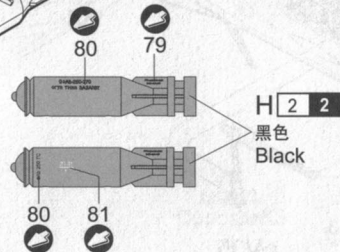
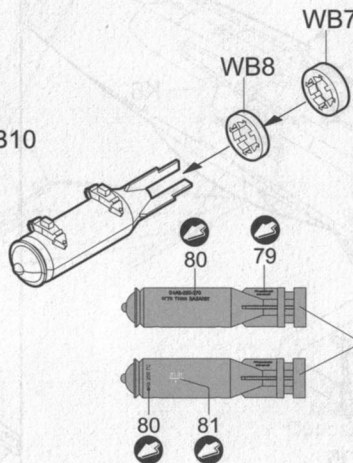
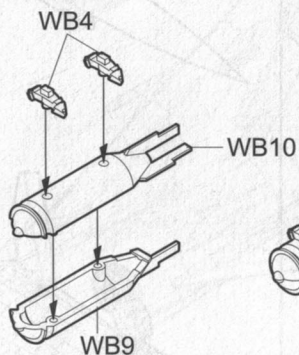
制做2组  
Make two



H 8 8 银色 Silver  
H 11 62 消光白 Flat White  
83 消光白 Flat White

<<250KG-BOMBS>>

制做2组  
Make two



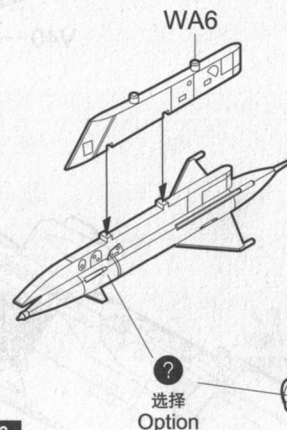
H 2 2 黑色 Black



52 贴纸 Decal

<<RS-2US-MISSILES>>

<<250KG-BOMBS>>



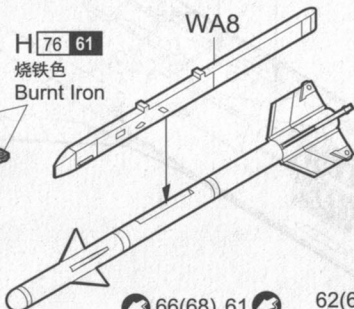
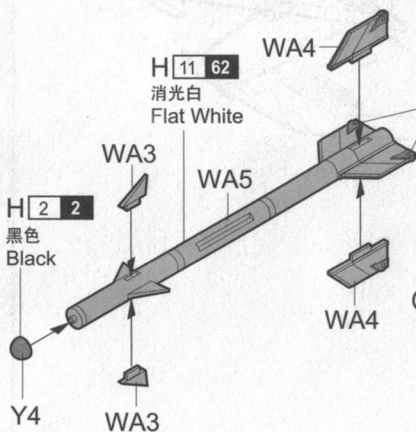
? 选择 Option

<<R-3S-MISSILES>>

制做2组  
Make two



59 贴纸 Decal

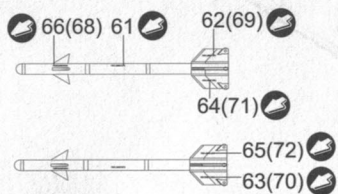


H 2 2 黑色 Black

H 11 62 消光白 Flat White

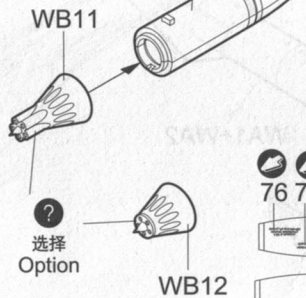
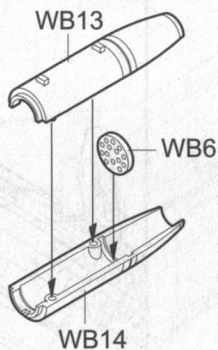
H 76 61 烧铁色 Burnt Iron

Y4



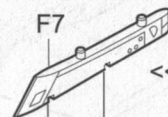
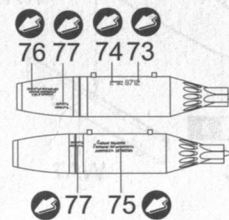
<<UB-16-ROCKET-PODS>>

制做2组  
Make two



H 8 8 银色 Silver

? 选择 Option



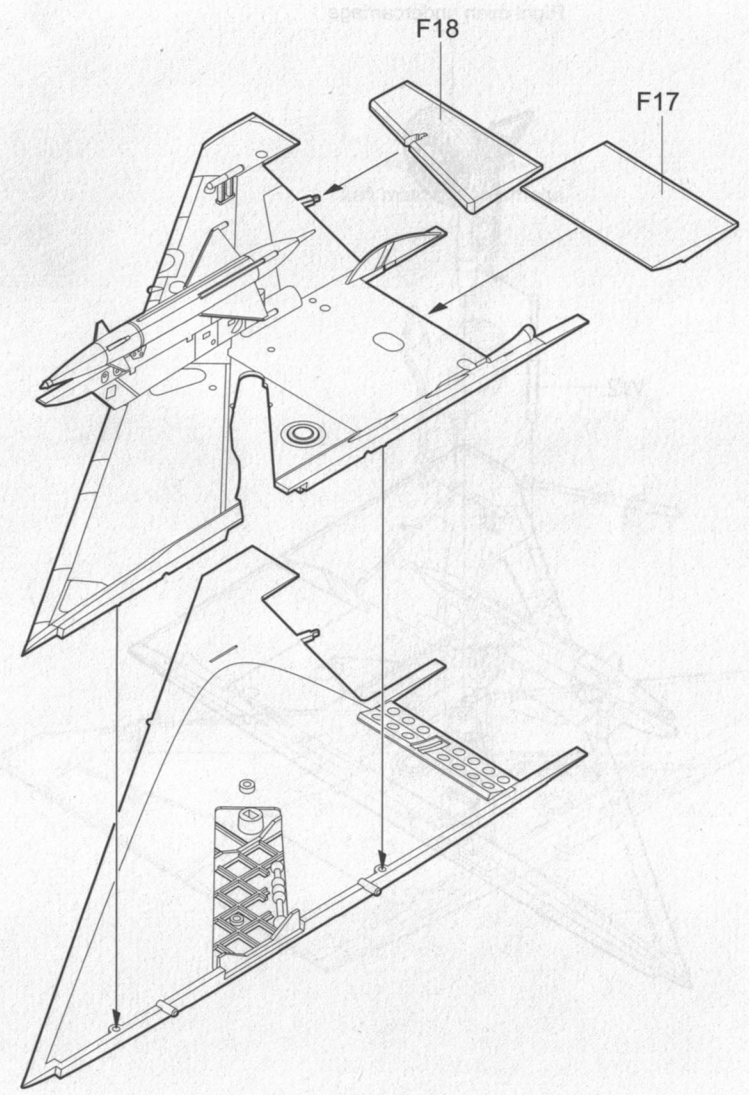
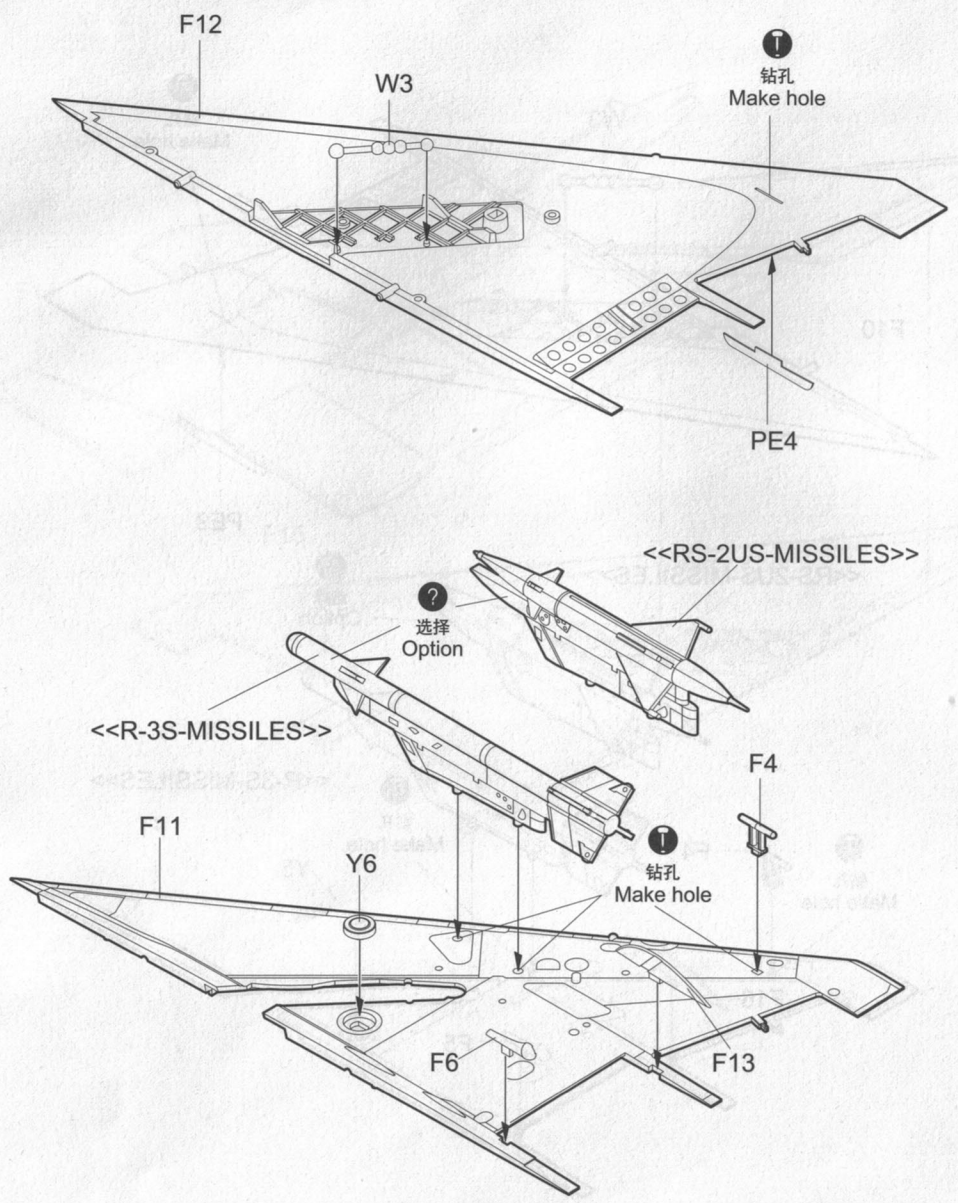
<<UB-16-ROCKET-PODS>>

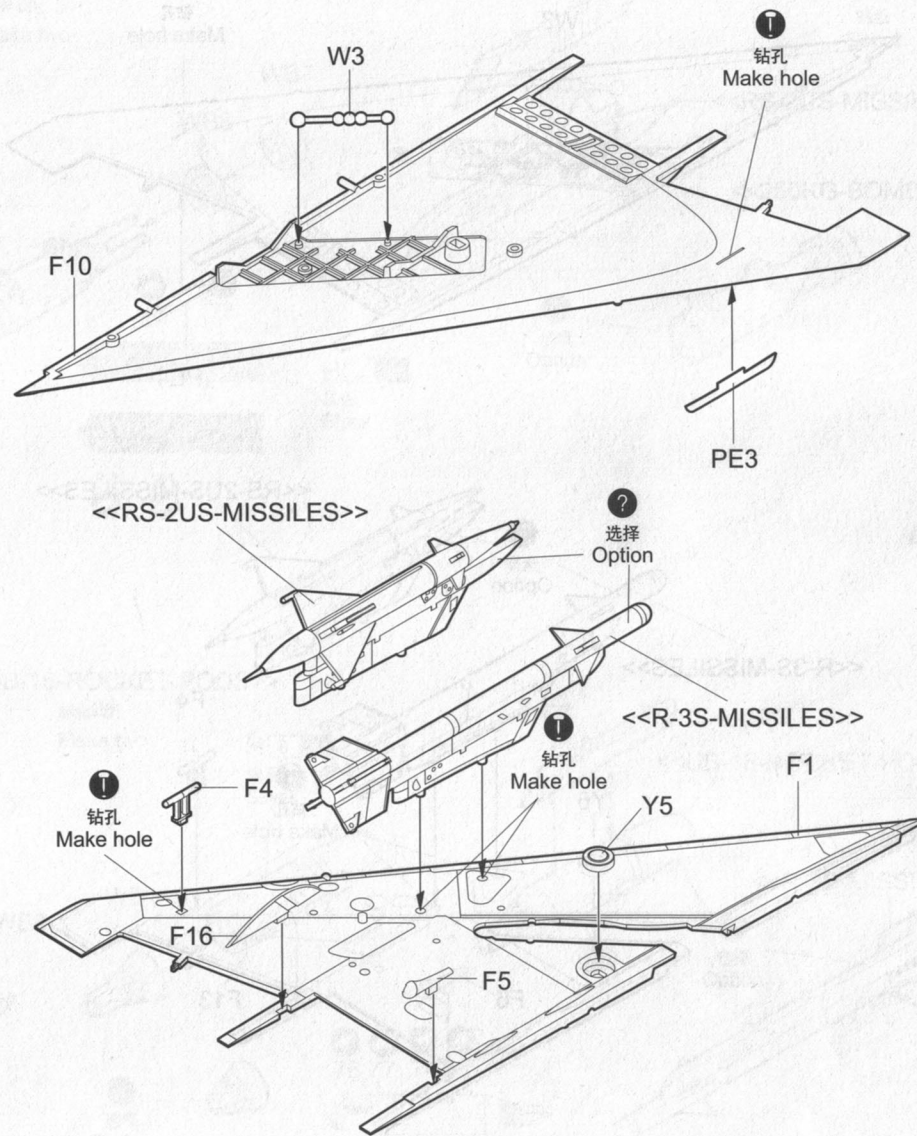
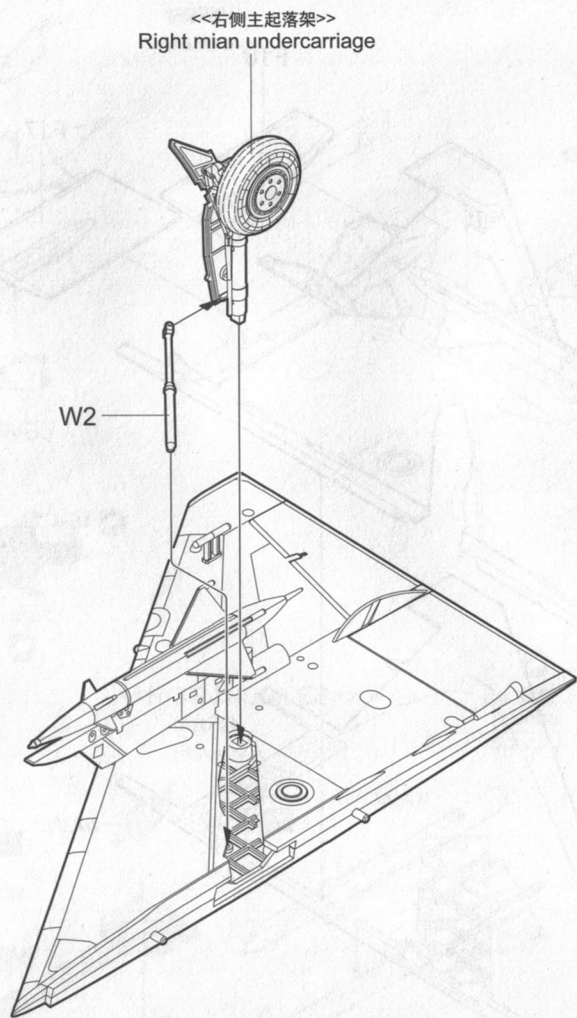
<<R-3S-MISSILES>>

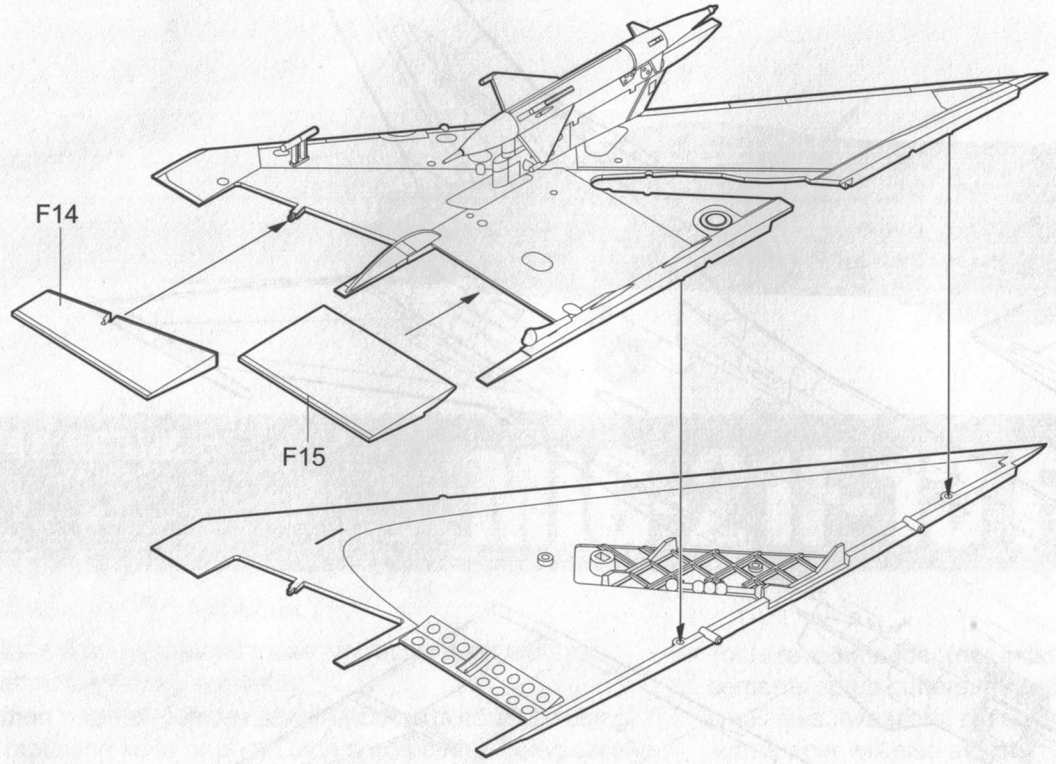
? 选择 Option



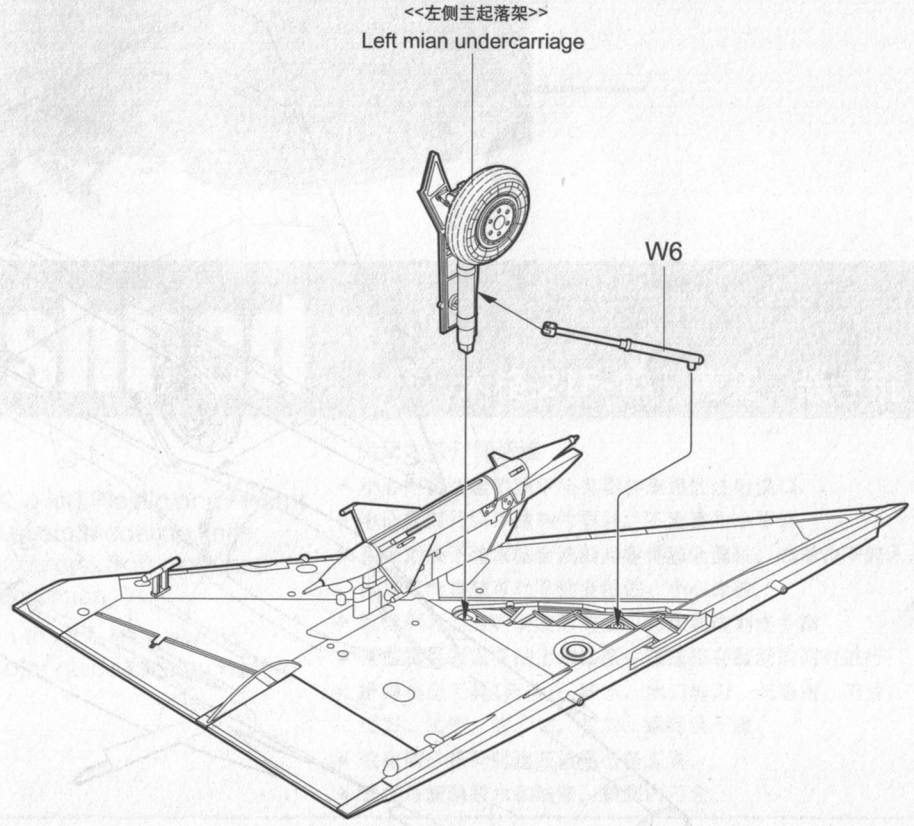
7

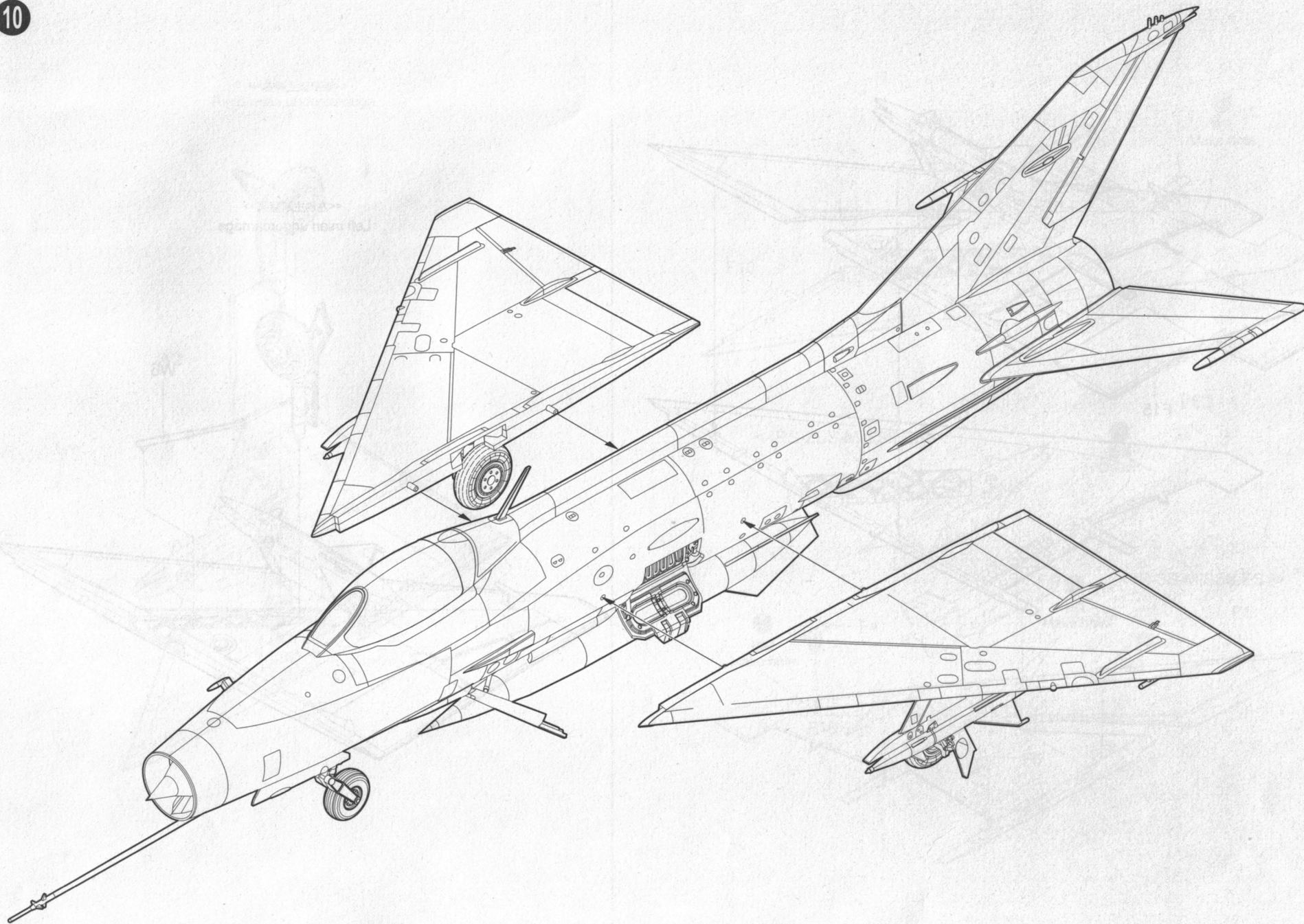






<<左侧主起落架>>  
Left main undercarriage





# 涂装同标贴指示

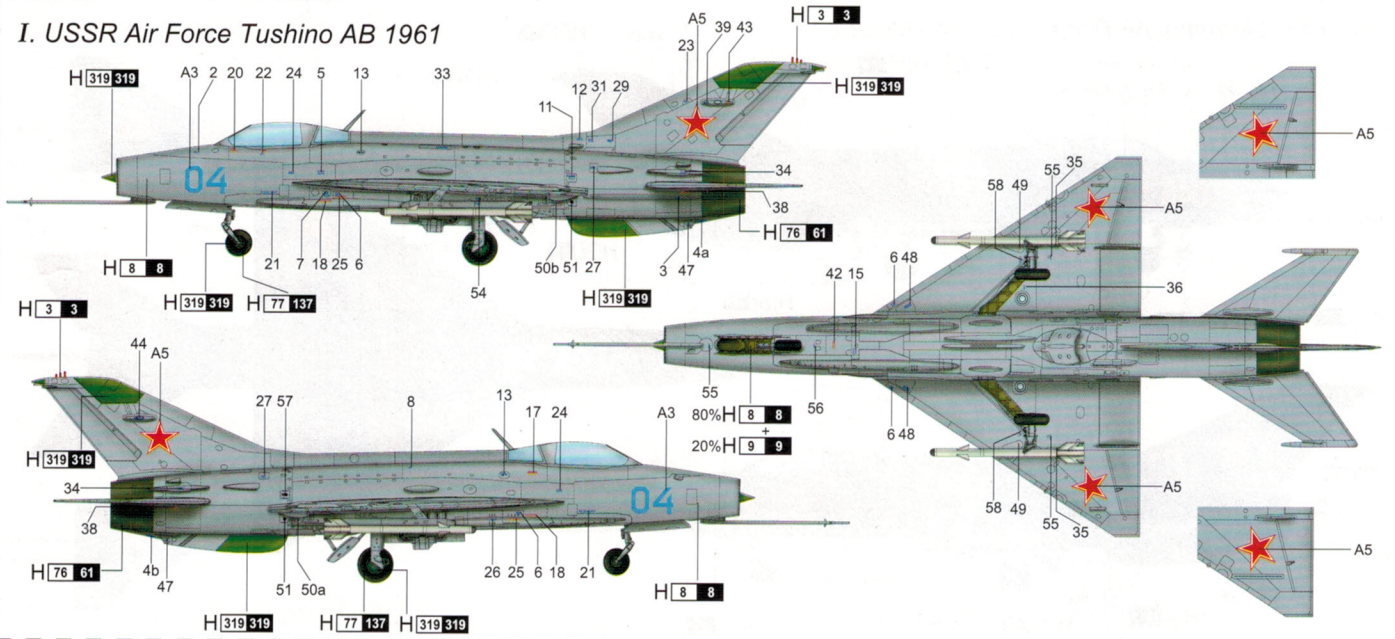
## Painting & Marking guide

**A**

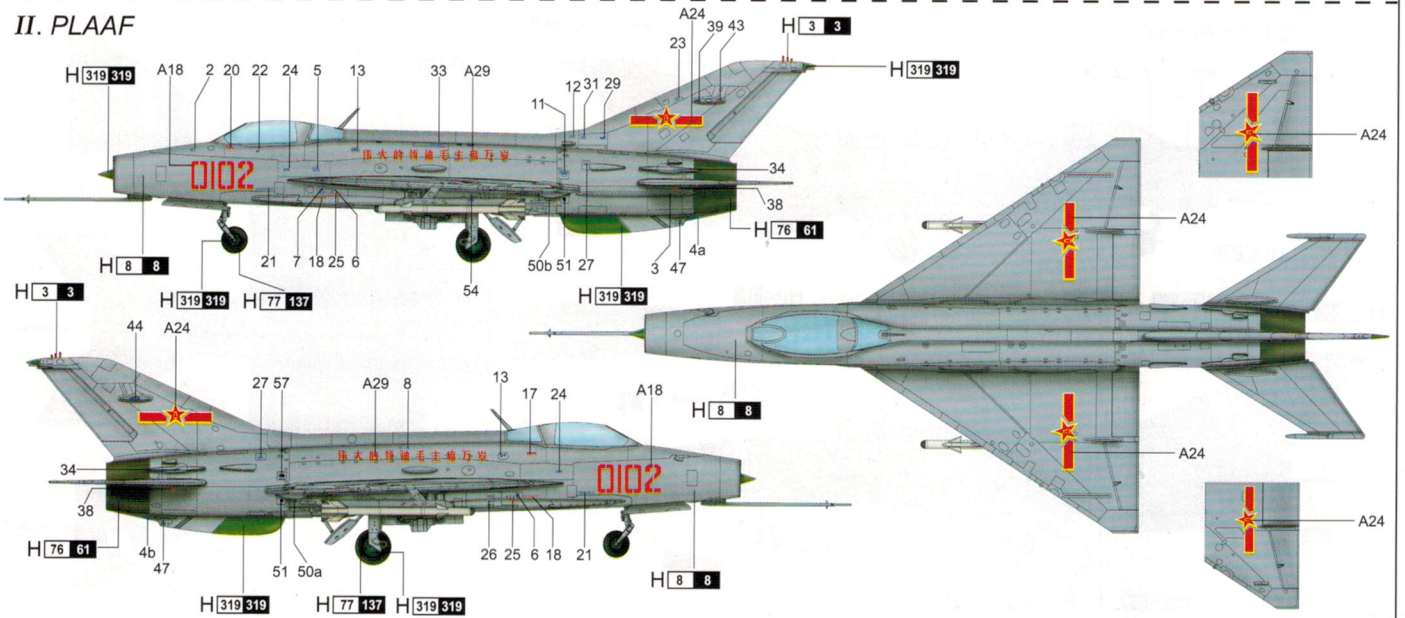
PAINT REFERENCE COLOUR

Color	Mr.Hobby	Vallejo	Model Master	Tamiya	Humbrol	Color	Mr.Hobby	Vallejo	Model Master	Tamiya	Humbrol
Light Blue 浅蓝色	H[20]	965	-	XF8	-	True Black 黑色	H[77 137]	-	-	-	-
Red 红色	H[3 3]	908	1503	X7	19	Light Green 浅绿色	H[319 319]	-	1731	-	117
Burnt Iron 褐色	H[76 61]	863	1795	X10	53	Dark Green 深绿色	H[72 22]	873	1702	XF52	29
Silver 银色	H[8 8]	997	1546	X11	11	Gold 金色	H[9 9]	878	1744	X12	16

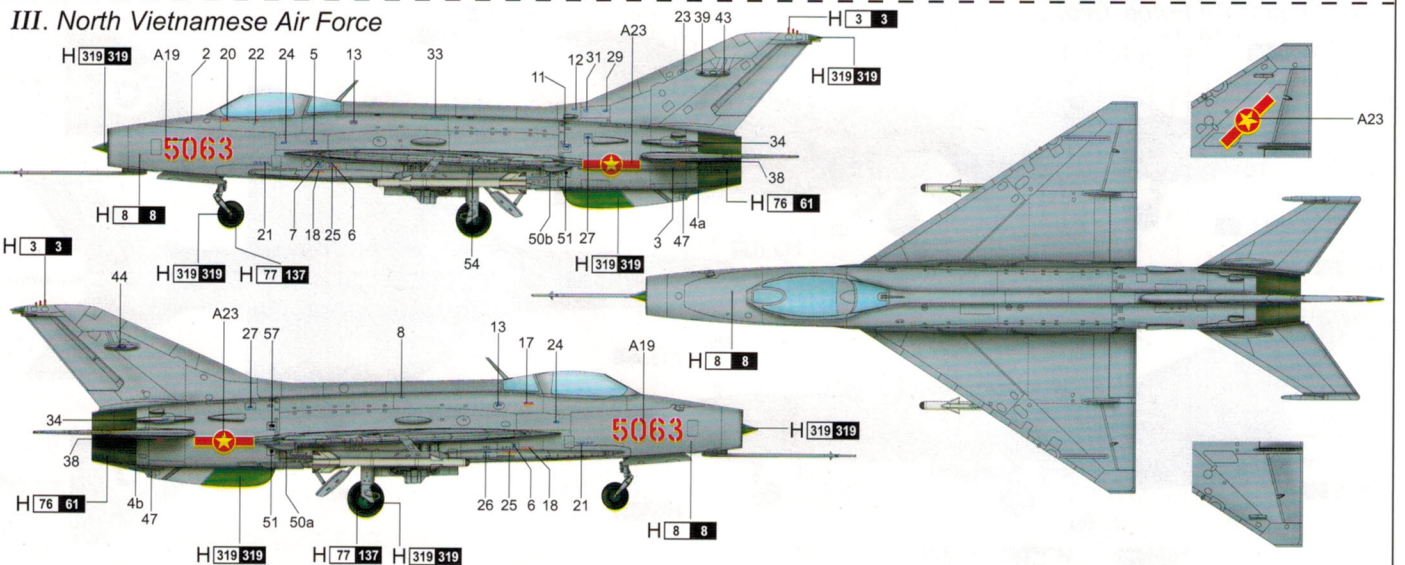
### I. USSR Air Force Tushino AB 1961



### II. PLAAF



### III. North Vietnamese Air Force



H[ ] AQUEOUS HOBBY COLOR    ■ Mr. COLOR

# 涂装同标贴指示

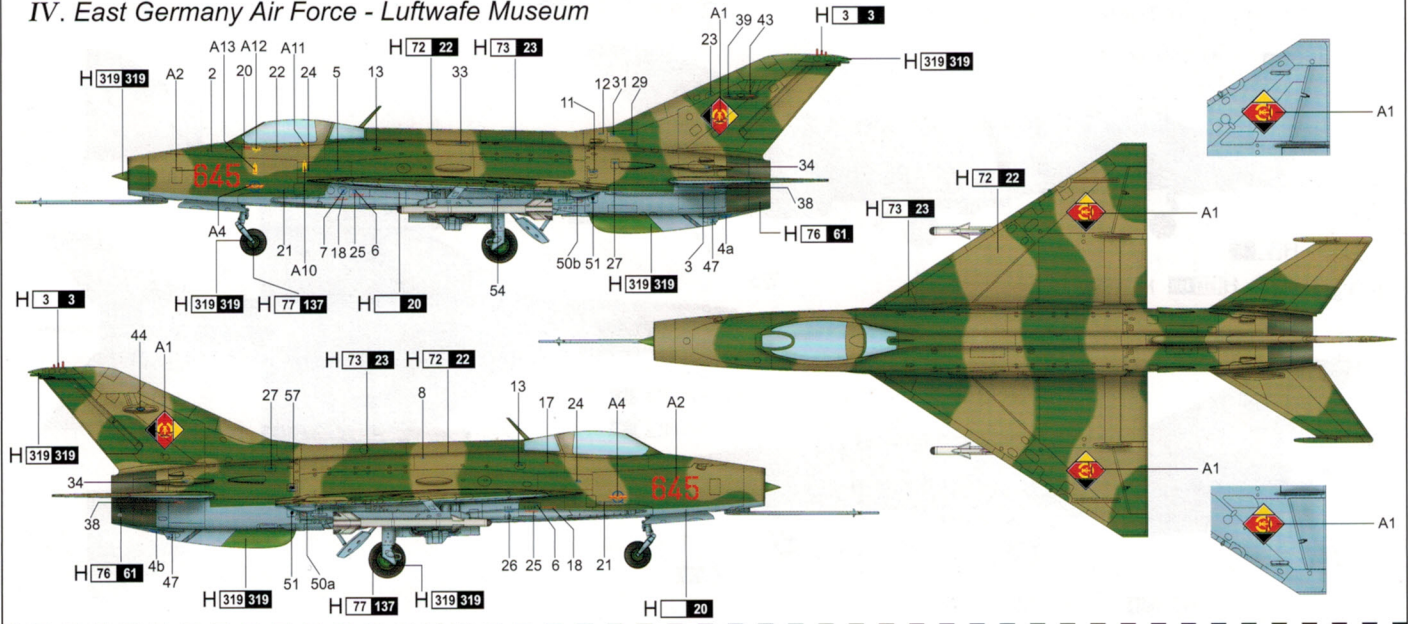
## Painting & Marking guide

**B**

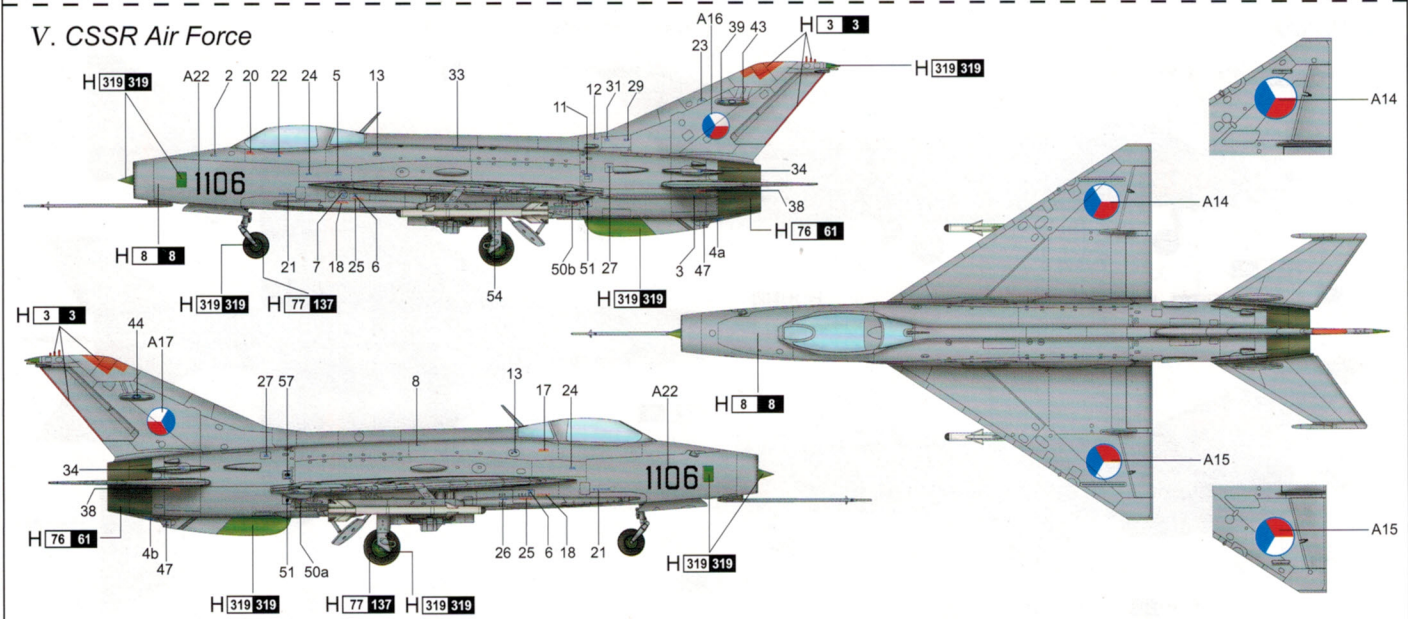
PAINT REFERENCE COLOUR

Color	Mr.Hobby	Vallejo	Model Master	Tamiya	Humbrol	Color	Mr.Hobby	Vallejo	Model Master	Tamiya	Humbrol
Light Blue 浅蓝色	H 20	965	-	XF8	-	Tire Black 轮胎色	H 77 137	-	-	-	-
Red 红色	H 3 3	908	1503	X7	19	Light Green 浅绿色	H 319 319	-	1731	-	117
Burnt Iron 锈色	H 76 61	863	1795	X10	53	Dark Earth 深土色	H 72 22	873	1702	XF52	29
Silver 银色	H 8 8	997	1546	X11	11	Gold 金色	H 9 9	878	1744	X12	18
						Dark Green 深绿色	H 73 23	895	-	XF26	30

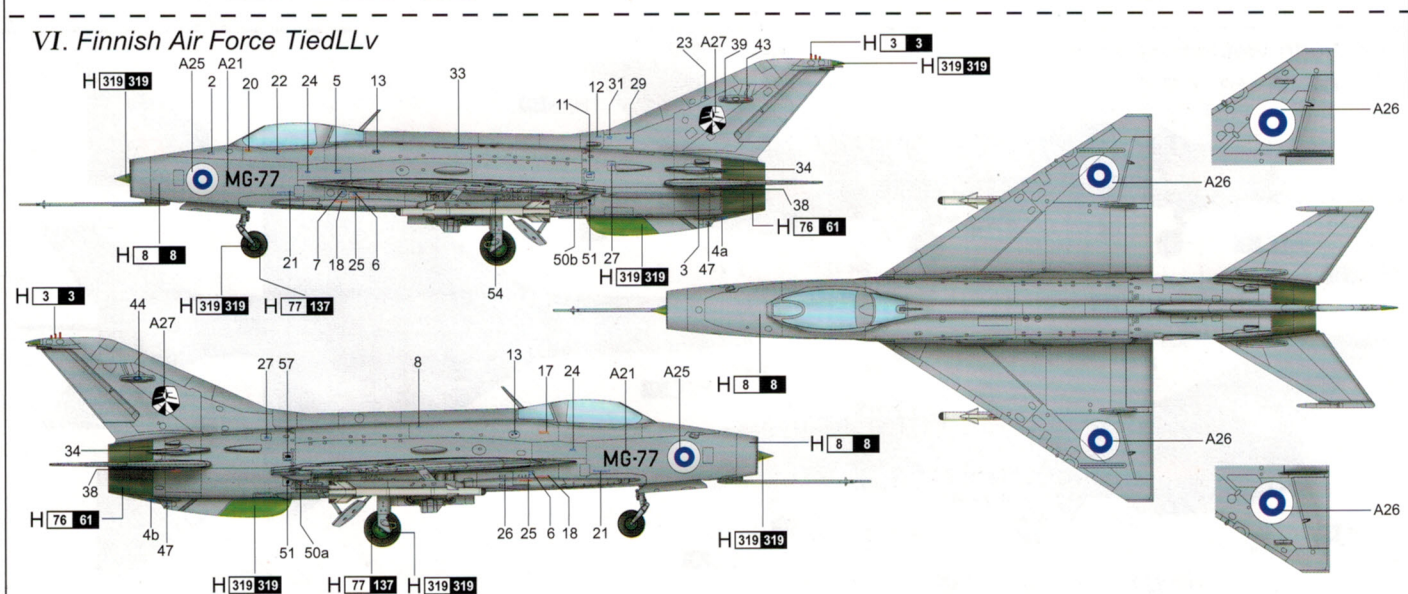
### IV. East Germany Air Force - Luftwaffe Museum



### V. CSSR Air Force



### VI. Finnish Air Force TiedLLV



H  AQUEOUS HOBBY COLOR    ■ Mr. COLOR