



List All Images

Share

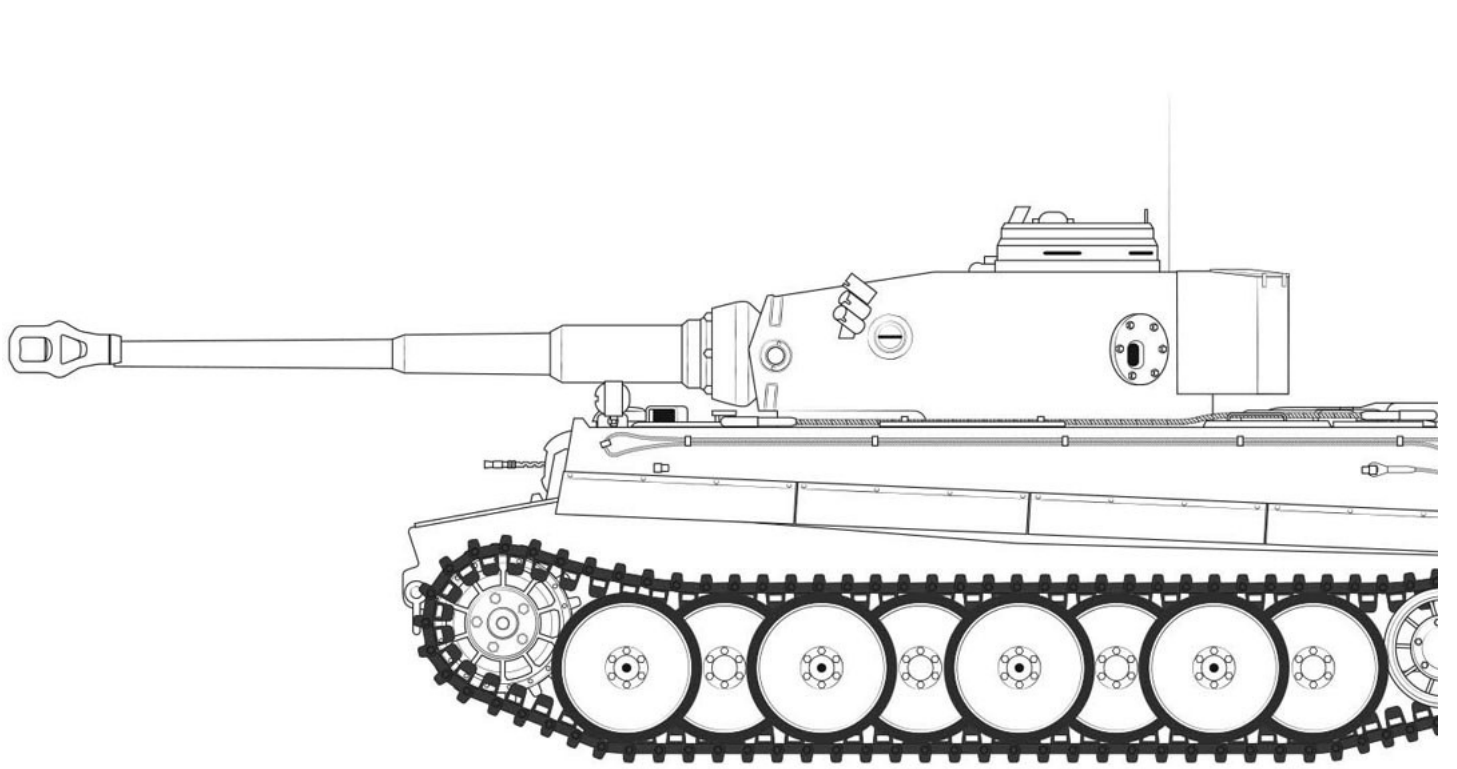
Tweet

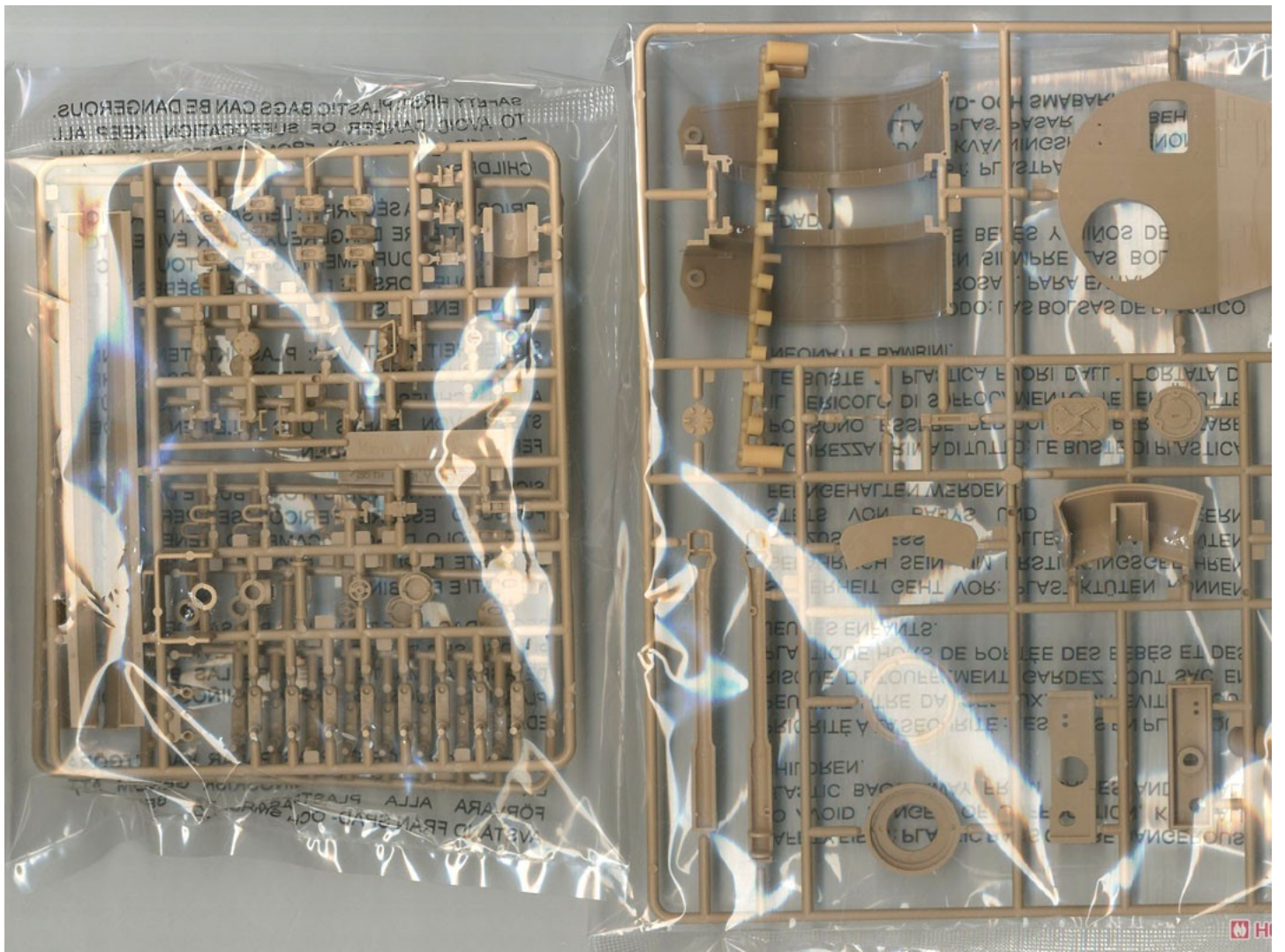
The Airfix logo is prominently displayed in a red circle with a white border. Below it, two smaller images show the Tiger I tank model kit in different views: one with a yellow and black camouflage pattern and another in a plain yellow color.

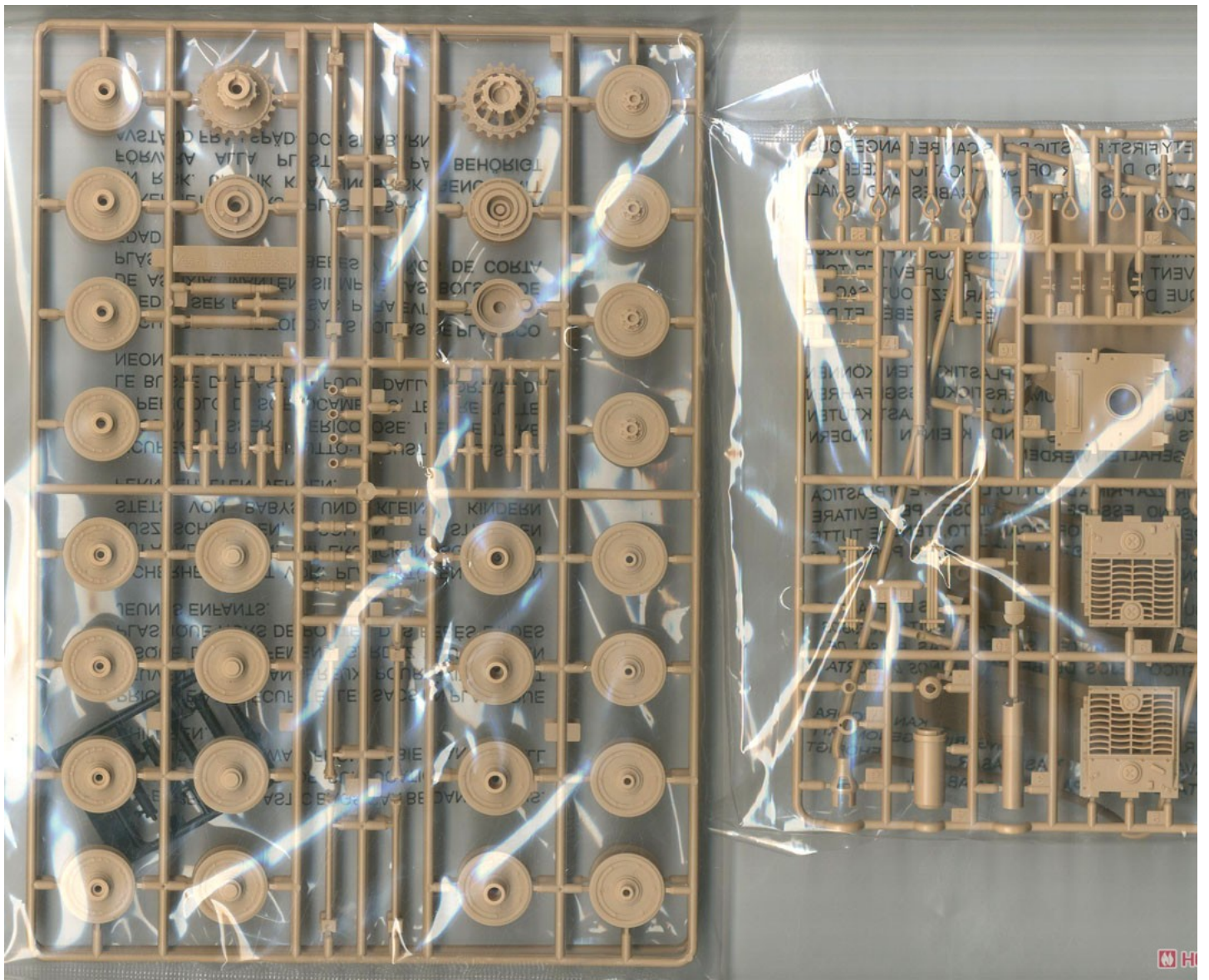


1:35 TIGER I 'EARLY VERSION' OPERATION CITADEL

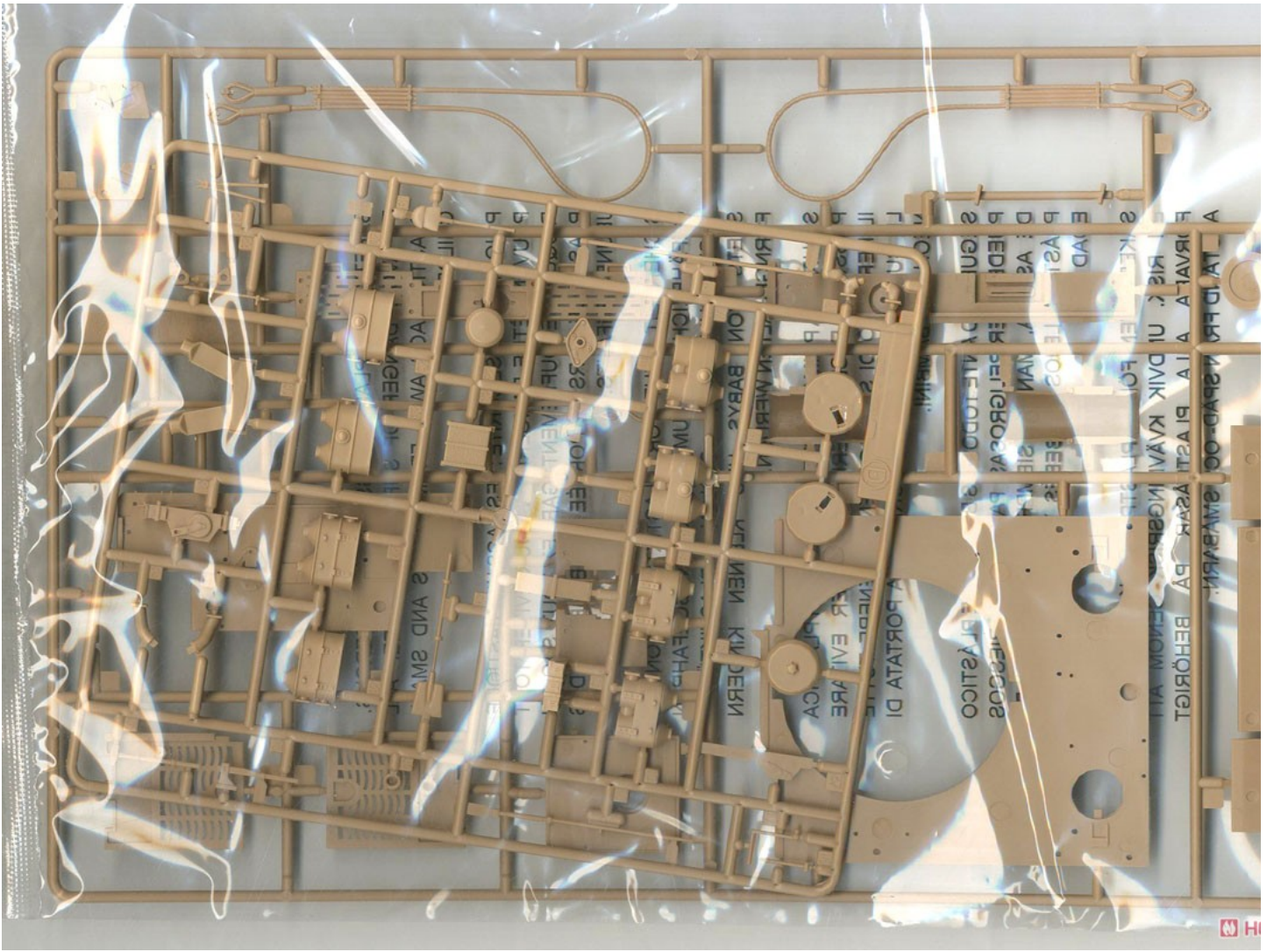
A1354 MODEL KIT • MAQUETTE A MONTER • MODELLBAUSATZ • MODELLO A SCALA • BOUWMODEL • MAQUETA PARA MONTAR • PLASTBYGGSATS • RAKENUSSARJA • MODELO PARA CONSTRUIR • MODELBYGGESÆT • ЛАПАШКА



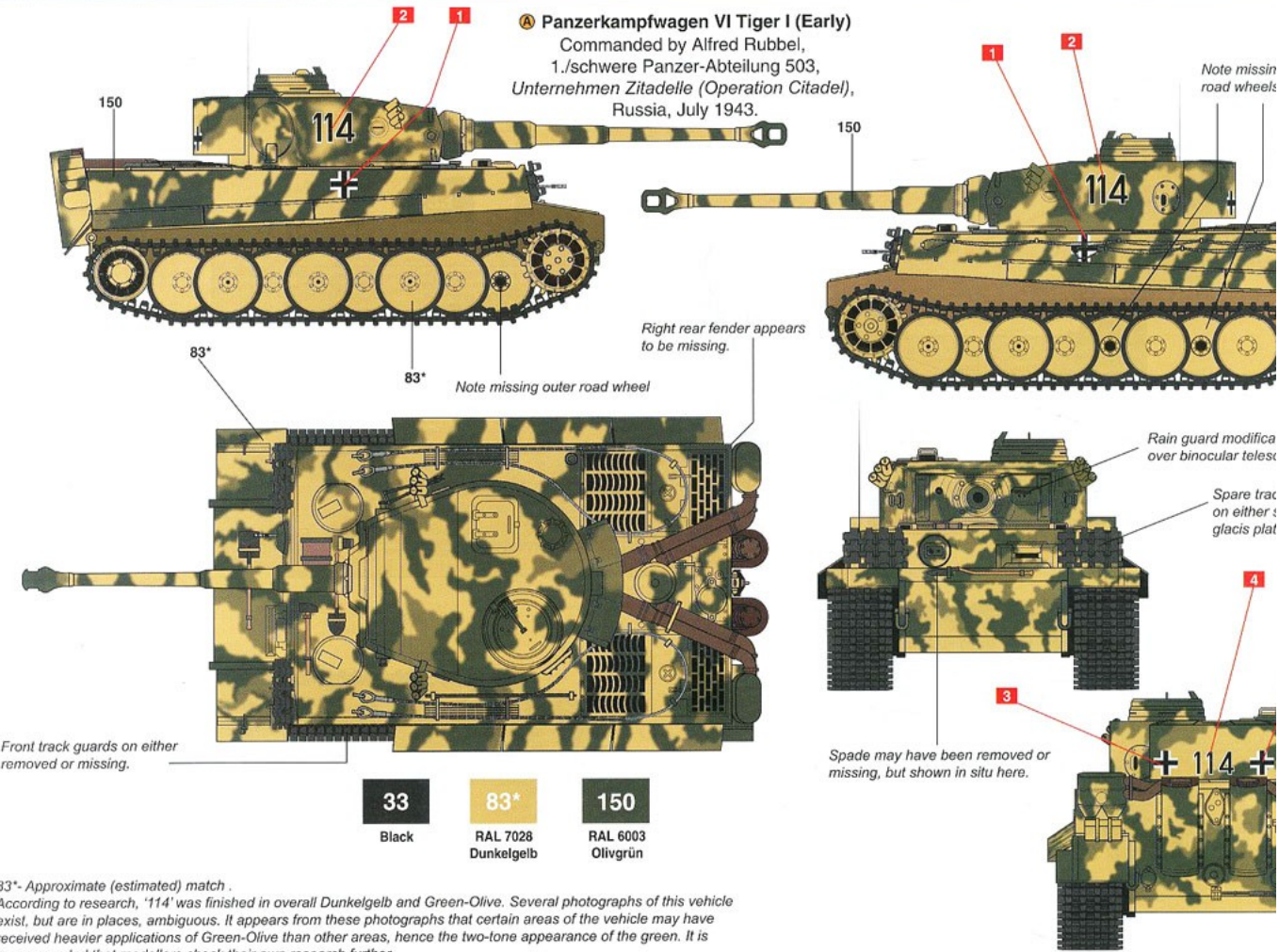






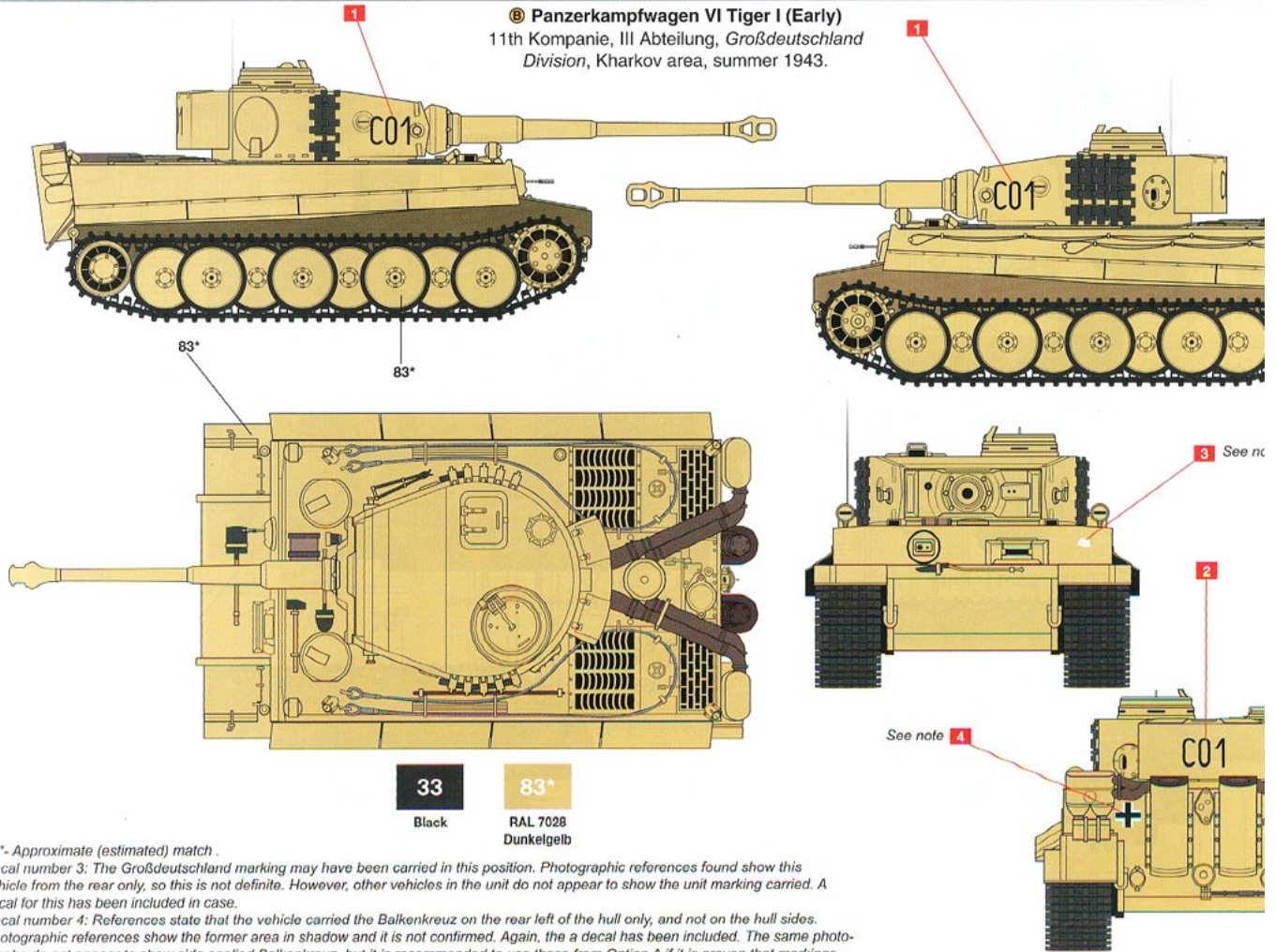


Ⓐ Panzerkampfwagen VI Tiger I (Early)
 Commanded by Alfred Rubbel,
 1./schwere Panzer-Abteilung 503,
 Unternehmen Zitadelle (Operation Citadel),
 Russia, July 1943.



83* - Approximate (estimated) match.
 According to research, '114' was finished in overall Dunkelgelb and Green-Olive. Several photographs of this vehicle exist, but are in places, ambiguous. It appears from these photographs that certain areas of the vehicle may have received heavier applications of Green-Olive than other areas, hence the two-tone appearance of the green. It is recommended that modellers check their own research further.
 The modifications/omissions outlined above are based on this photographic information.

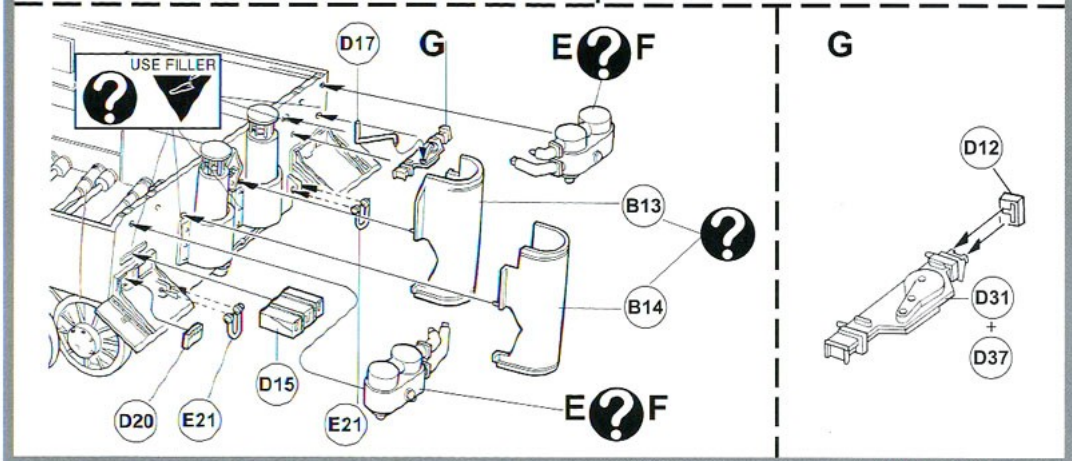
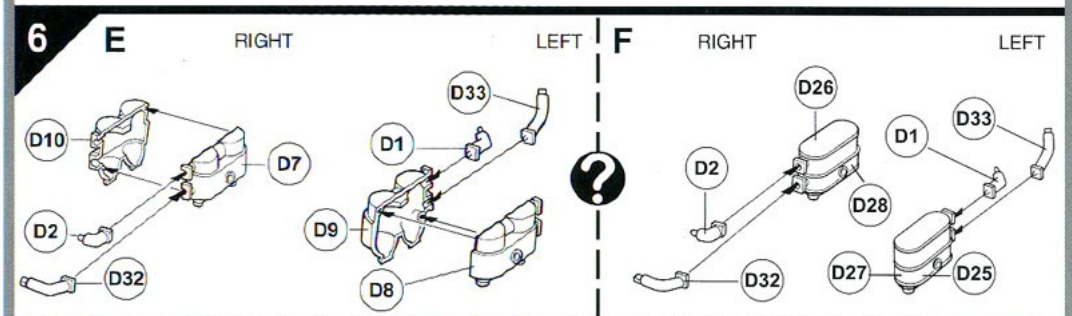
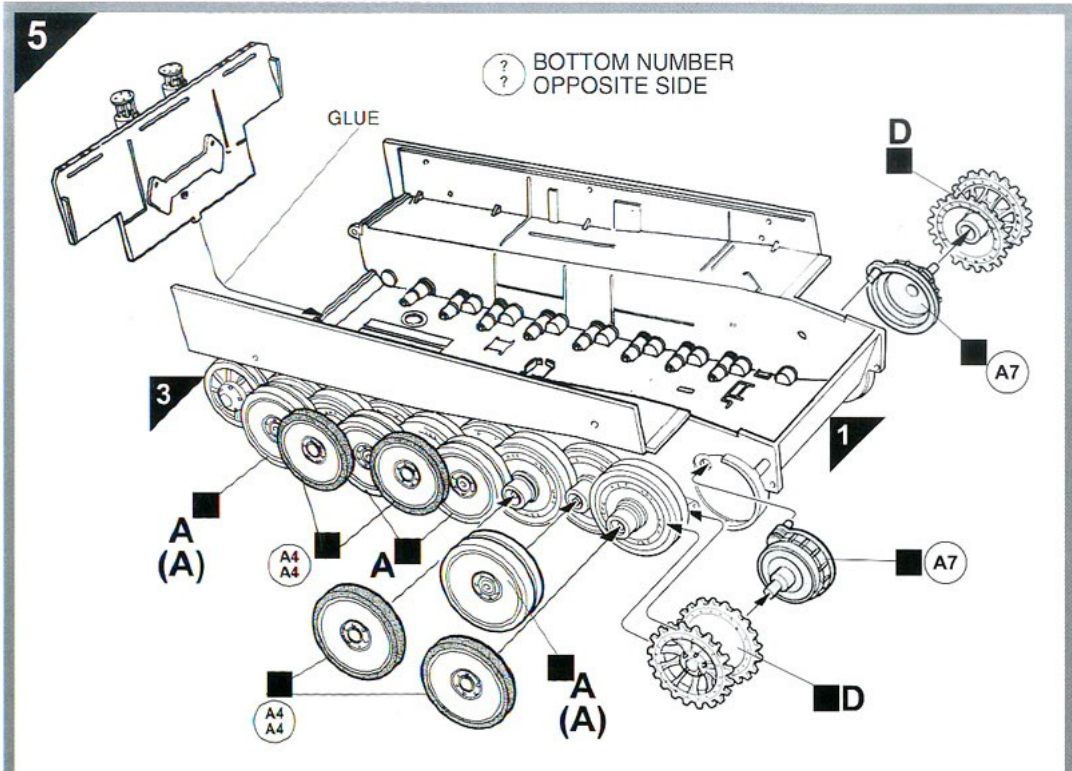
ⓑ Panzerkampfwagen VI Tiger I (Early)
 11th Kompanie, III Abteilung, Großdeutschland
 Division, Kharkov area, summer 1943.



83*- Approximate (estimated) match

Decal number 3: The Großdeutschland marking may have been carried in this position. Photographic references found show this vehicle from the rear only, so this is not definite. However, other vehicles in the unit do not appear to show the unit marking carried. A decal for this has been included in case.

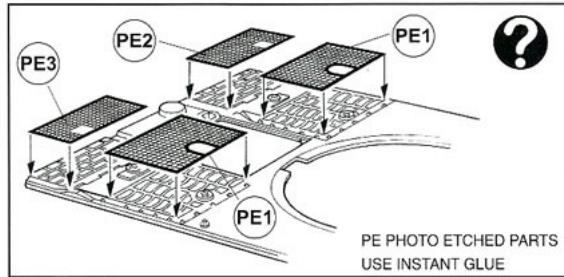
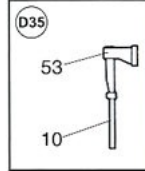
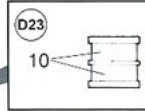
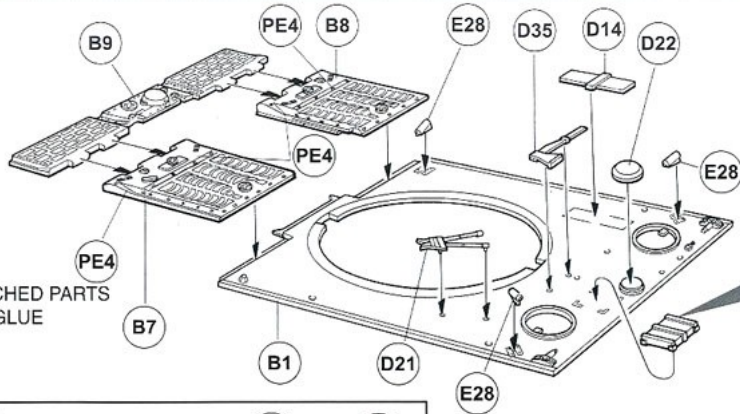
Decal number 4: References state that the vehicle carried the Balkenkreuz on the rear left of the hull only, and not on the hull sides. Photographic references show the former area in shadow and it is not confirmed. Again, the a decal has been included. The same photographs do not appear to show side applied Balkenkreuz, but it is recommended to use those from Option A if it is proven that markings were carried in these areas.



7

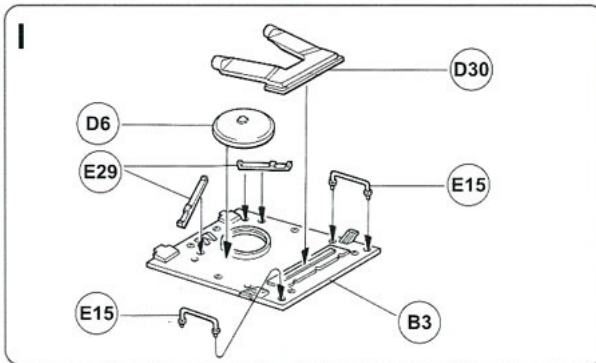
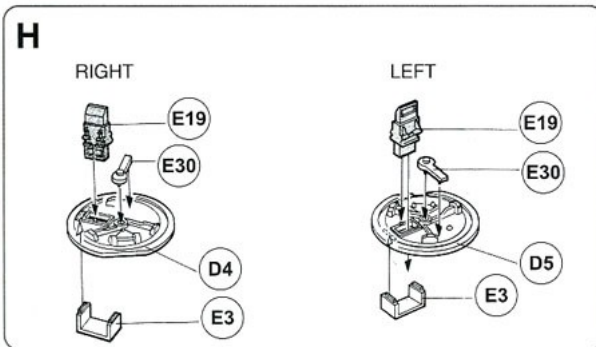


PE PHOTO ETCHED PARTS
USE INSTANT GLUE

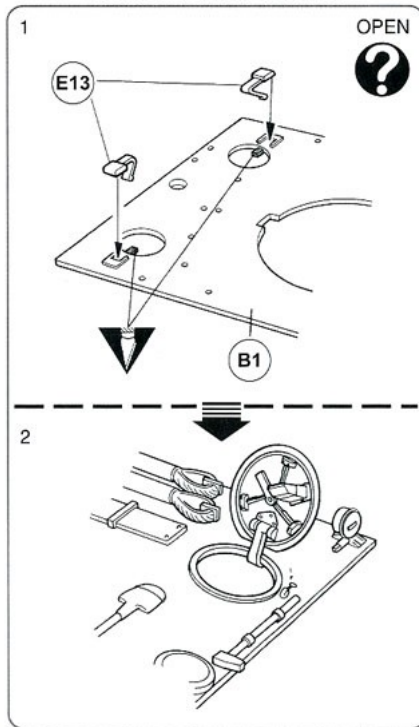


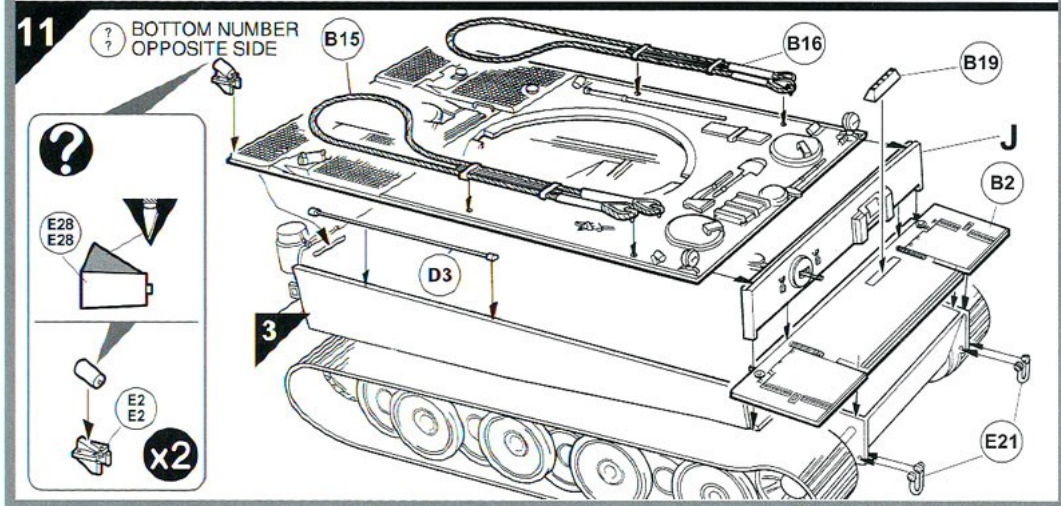
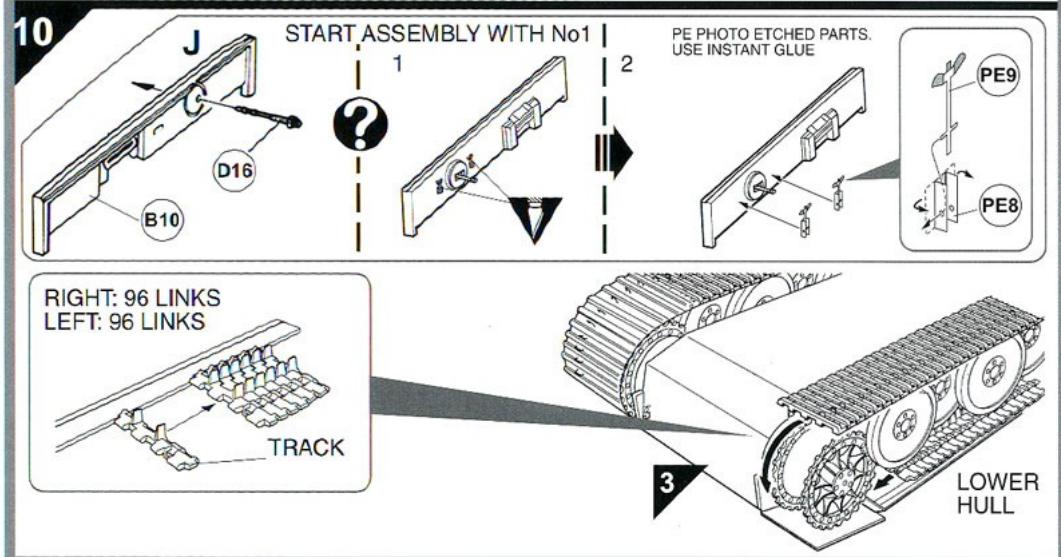
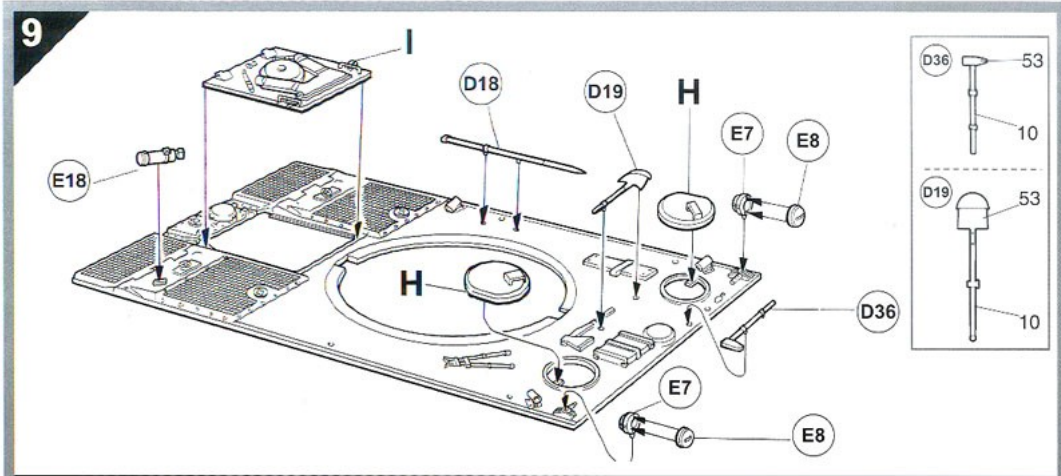
PE PHOTO ETCHED PARTS
USE INSTANT GLUE

8



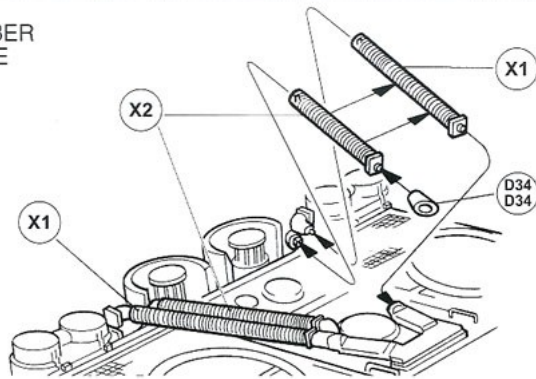
START ASSEMBLY WITH No1



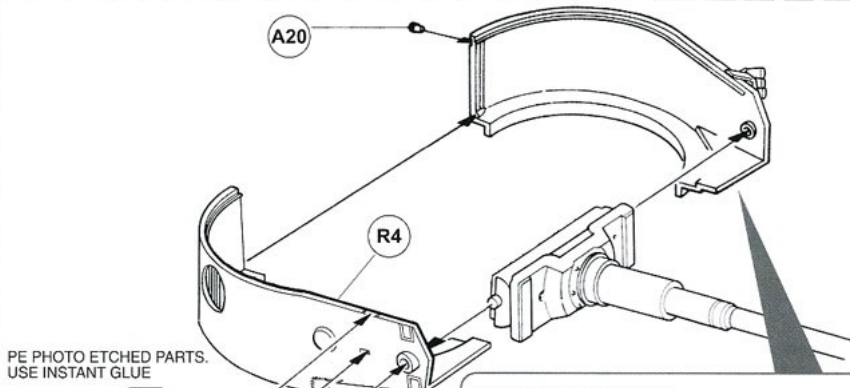
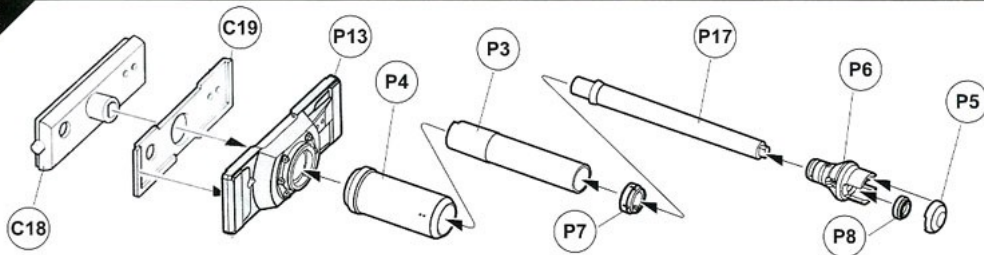


12

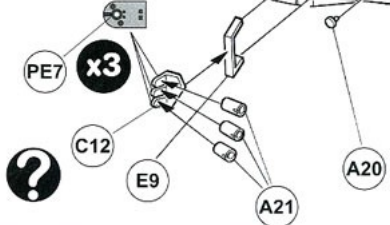
?? BOTTOM NUMBER OPPOSITE SIDE



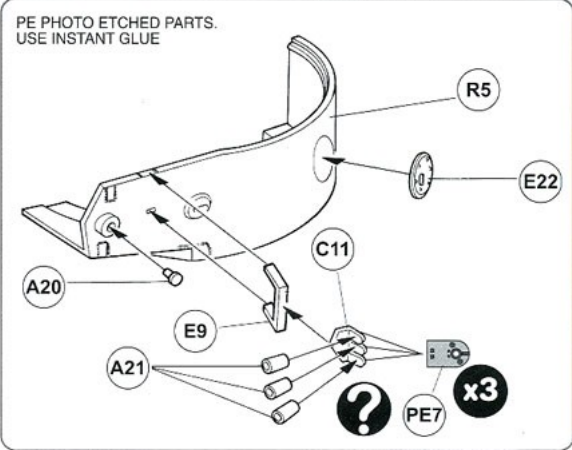
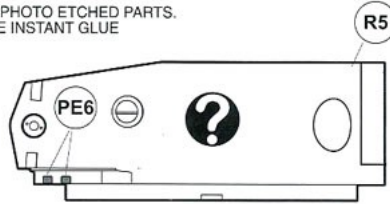
13



PE PHOTO ETCHED PARTS. USE INSTANT GLUE



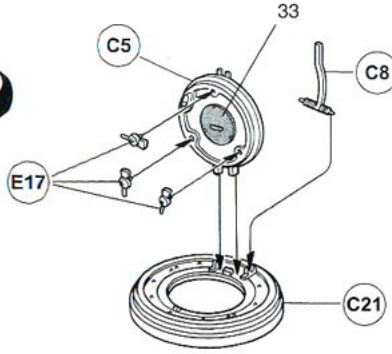
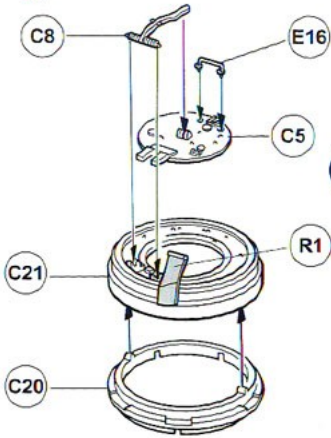
PE PHOTO ETCHED PARTS. USE INSTANT GLUE



START ASSEMBLY WITH No1

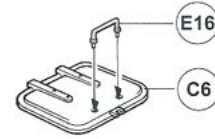
K

CLOSED OPEN

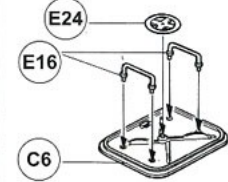


L

1



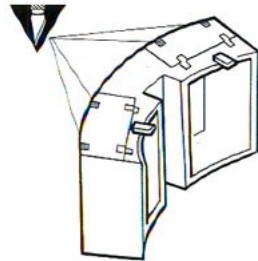
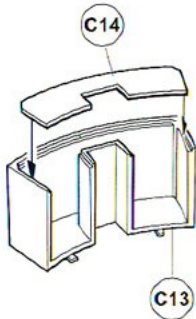
2



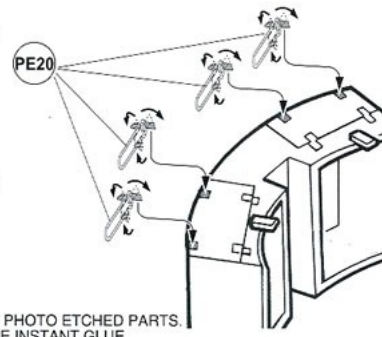
M

START ASSEMBLY WITH No1

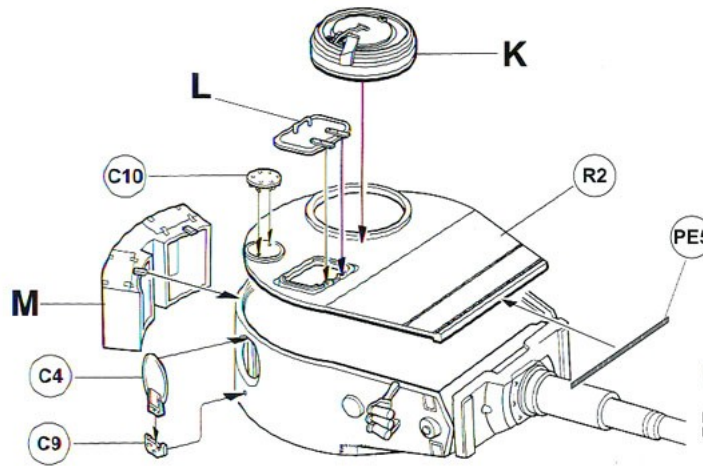
1



2

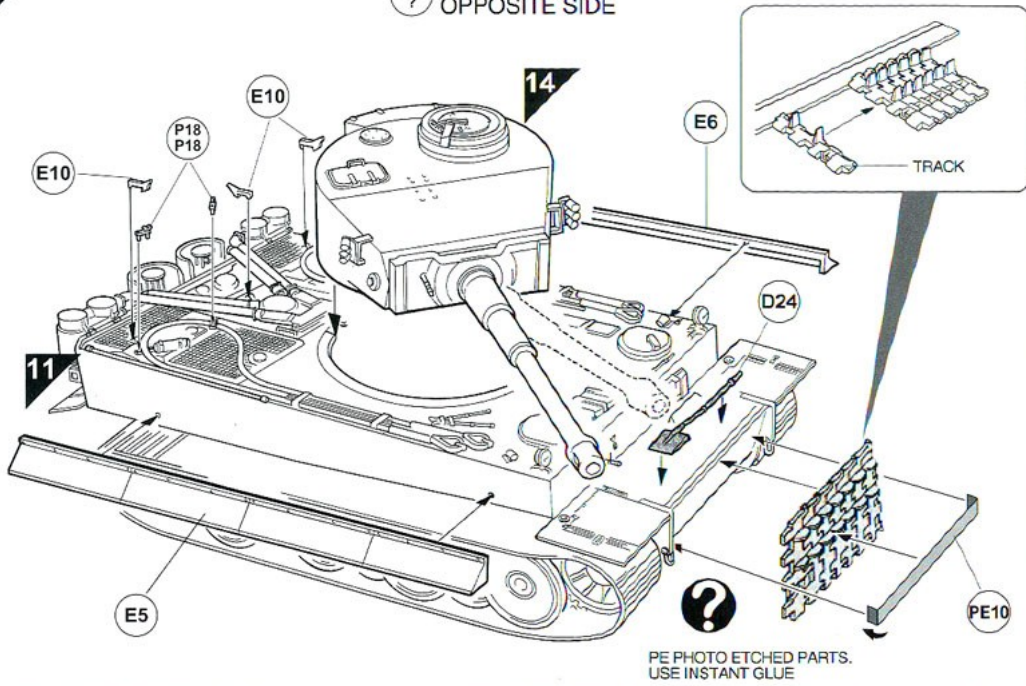


PE PHOTO ETCHED PARTS. USE INSTANT GLUE



PE PHOTO ETCHED PARTS. USE INSTANT GLUE

?? BOTTOM NUMBER OPPOSITE SIDE



PE PHOTO ETCHED PARTS. USE INSTANT GLUE

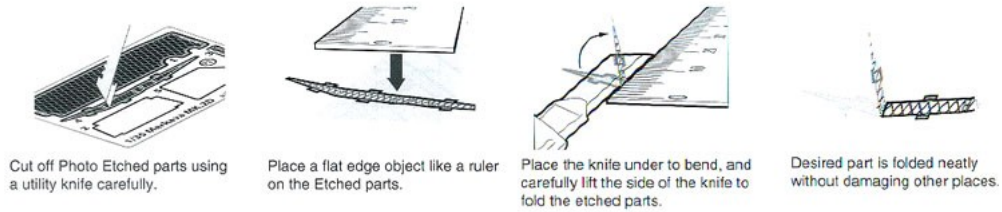
HOW TO APPLY ZIMMERIT COATING

Late in WWII, 'Zimmerit' cement was applied to the vertical surfaces of the hull to help prevent magnetic mines from sticking to the metal hull.

1. Material required cement putty for plastic, zimmerit tool as shown.
2. Not applied portions, temporarily masked with cellophane tape.
3. Apply a 1mm thick coating of putty, use of flat styrene sheet to the surface refer to diagrams.
4. Make the putty coating use of the 0.5mm or 0.7mm zimmerit tool to simulate the corrugated patterns.
5. When the parts locations holes fill with putty, reopen from the inside with the use of needle or drill.
6. It is recommended you practice using unused plastic parts before work on the actual kit.



APPLYING PHOTO ETCH PARTS



Cut off Photo Etched parts using a utility knife carefully.

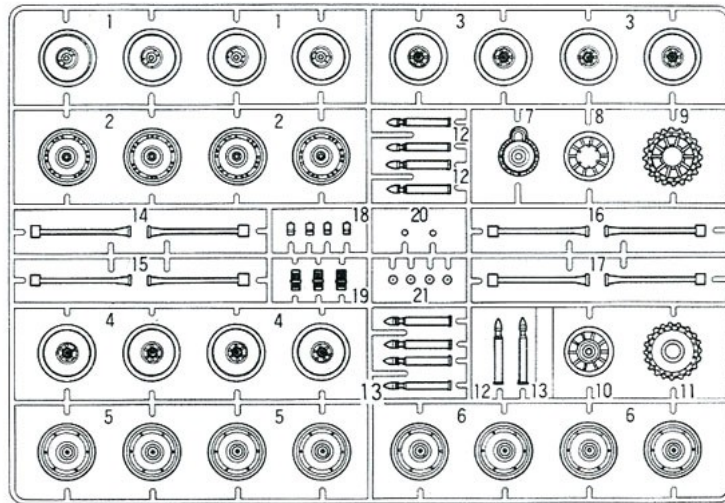
Place a flat edge object like a ruler on the Etched parts.

Place the knife under to bend, and carefully lift the side of the knife to fold the etched parts.

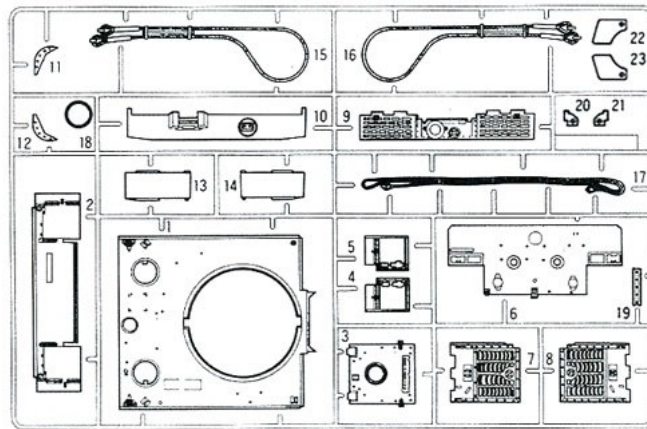
Desired part is folded neatly without damaging other places.

PARTS LOCATION DIAGRAM

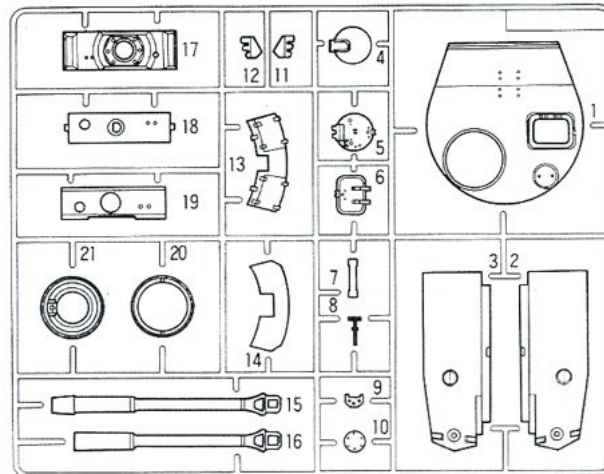
Ax2



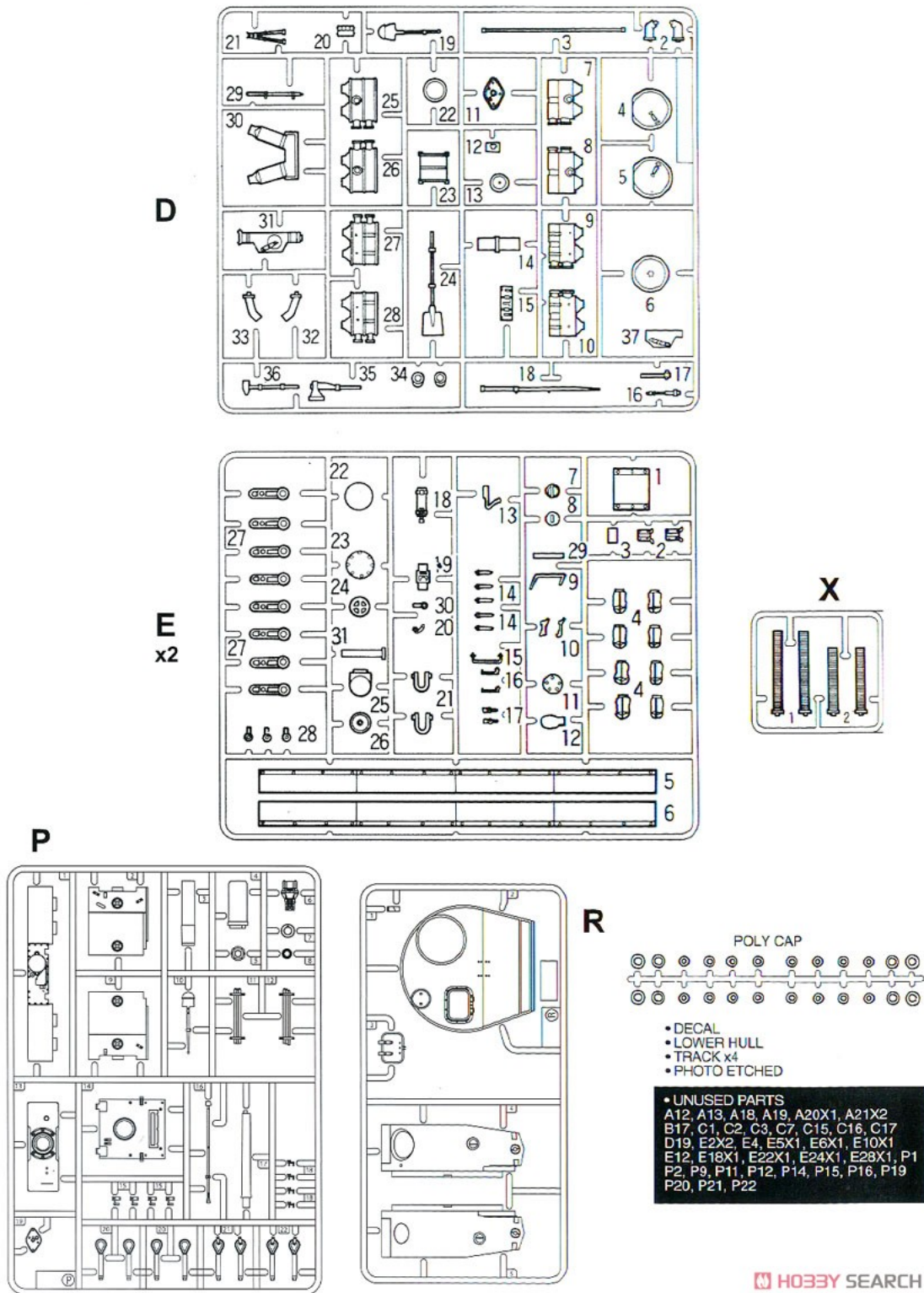
B



C













PARTS LOCATION DIAGRAM



HOBBY SEARCH

Customers who checked Tiger-1 Early Version Operation Citadel (Plastic model) also checked

- | | | | | |
|--|--|--|---|---|
|  <p>Sd.Kfz.164 Bergepanzerwagen
Dragon
1/35
7,920 yen</p> |  <p>Tiger-1, Late Version (Plastic model)
Airfix
1/35
6,120 yen</p> |  <p>German Light Tank Pz.Kpfw. 3(t)
Airfix
1/35
3,780 yen</p> |  <p>EE Canberra B(I)6
Airfix
1/48
5,940 yen</p> |  <p>T-55 Mod. 1970
Mini Art
1/35
5,400 yen</p> |
|  <p>EE Canberra B(I)6
Airfix
1/48
5,940 yen</p> |  <p>Sd.Kfz.234 Armoured Car (Plastic model)
Airfix
1/76
Airfix V...
900 yen</p> |  <p>75mm Field Gun w.z. 1897
IBG
1/35
3,870 yen</p> |  <p>British Sherman VC Firefly
Rye Field...
1/35
6,570 yen</p> |  <p>German Flakpanzer w/8.8cm
Trumpeter
1/35
7,920 yen</p> |

Close