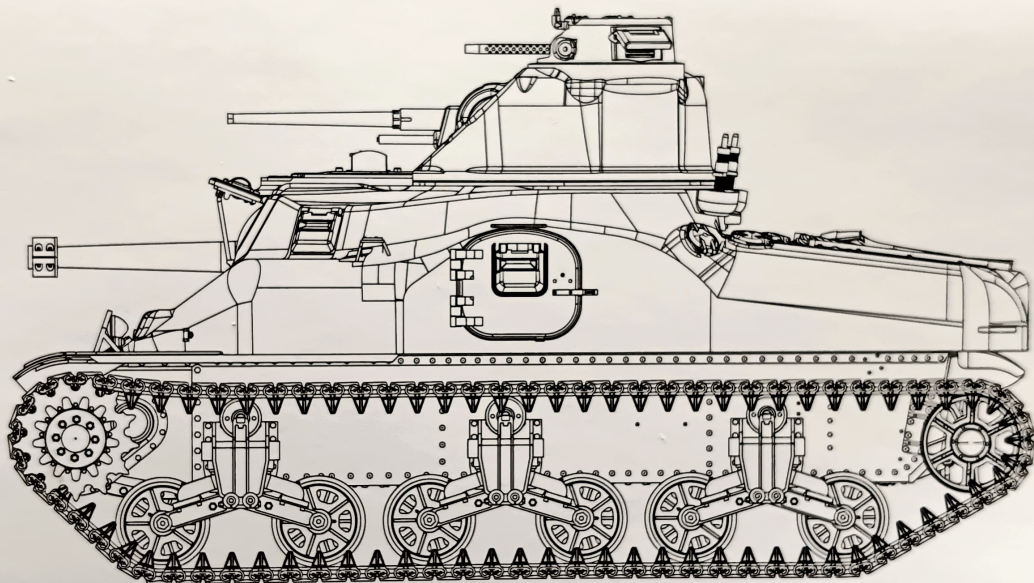


M3A1 LEE US MEDIUM TANK



The outbreak of WWII in Europe caused the U.S. Army to recognize it was lacking an effective tank force. Design of the Medium tank M3 commenced in July 1940, with production beginning in December, and the first units becoming operational in late 1941. The U.S. Army required a tank armed with a 75mm main gun and the United Kingdom had made an immediate demand for more medium tanks. The main design archaically mounted the 75mm main gun in the right sponson, with another 37mm gun mounted in a small turret on top, which was a compromise meant to produce a tank as soon as possible until the M4 became available. In Great Britain the tank was called by two names based on the turret configuration and crew size. Tanks fitted with the U.S. style turret were called the "Lee", named after Confederate General Robert E. Lee. Variants using British style turrets were known as the "Grant", named after Union General Ulysses S. Grant. The M3 offered potent firepower and sturdy armor, but had serious shortcomings in it's design and shape, including a high silhouette, and the sponson mounting the 75mm main gun, which limited the traverse and prevented the tank from taking a hull-down position. 300 tanks were produced with a large cast hull, and mainly used in the U.S.A. for training purposes. Multiple variants and derivatives were spawned from M3 production, including the M31 armored recovery vehicle, the M7 Priest self-propelled gun, the CDL (Canal Defense Light), and the Canadian RAM cruiser tank.

READ BEFORE ASSEMBLY

CAUTION

- Read carefully and fully understand the instructions before commencing assembly. A supervising adult should also read the instructions if a child assembles the model.
- When assembling this kit, tools including knives used. Extra care should be taken to avoid personal injury.
- Keep out of reach of small children. Children must not be allowed to suck any part, or pull vinyl bag over their heads.



Remove



Drill



Be Careful



Do Not Cement



Optional



Heating



Instant Glue
for Metal

PAINTS REQUIRED

Color info and profiles by Mig Jimenez



Rubber &
Tires



Dark Tracks



Old Wood



Gun Metal



Crystal Red



Crystal Glass



Silver



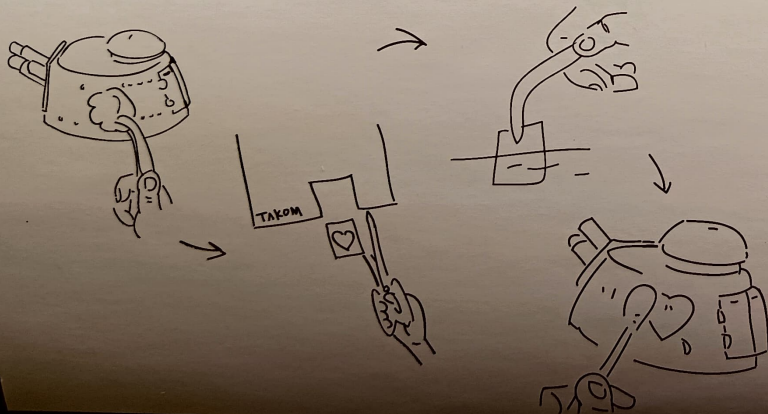
Crystal
Periscope Green



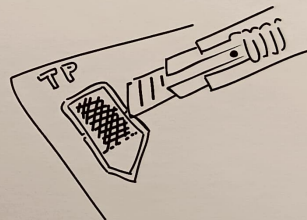
Olive
Drab Base

APPLYING DECALS

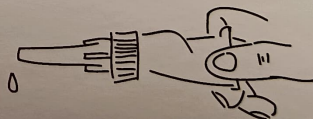
1. Clean the model surface with a wet cloth.
2. Cut out each decal design from sheet, and dip it in tepid water for 15~20 sec.
3. Hold the backing sheet edge and slide decal onto the model.
4. Move decal into position by wetting decal with finger.
5. Press decal gently down with a soft cloth until excess water and air bubbles are gone.



REMOVING PE



Be careful not to hurt when removing PE parts.

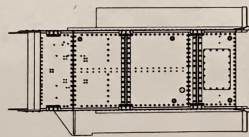
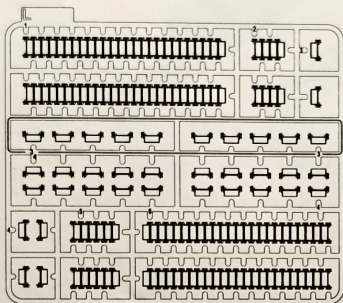
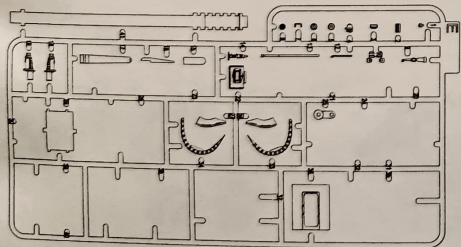
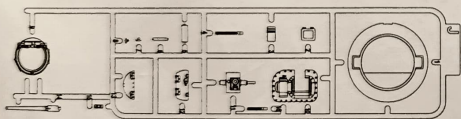
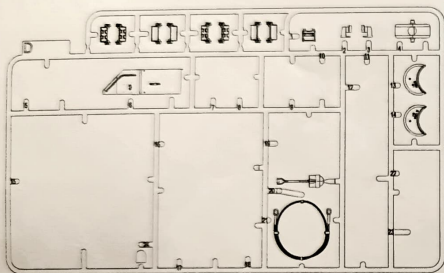


Secure using instant glue (not included).

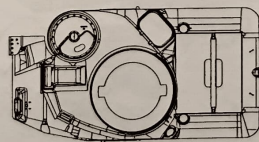


Finish using file.

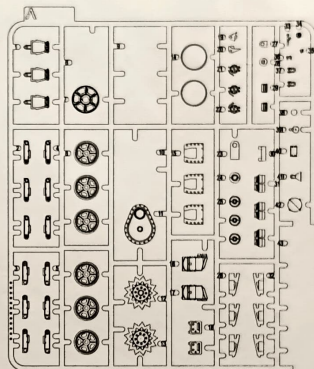
PARTS



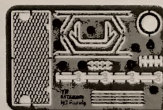
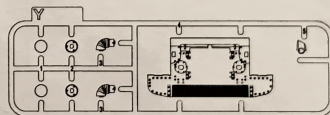
Lower Hull



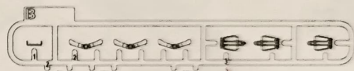
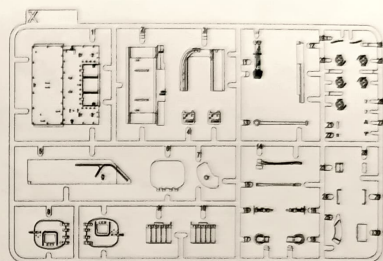
Upper Hull



X2



TP



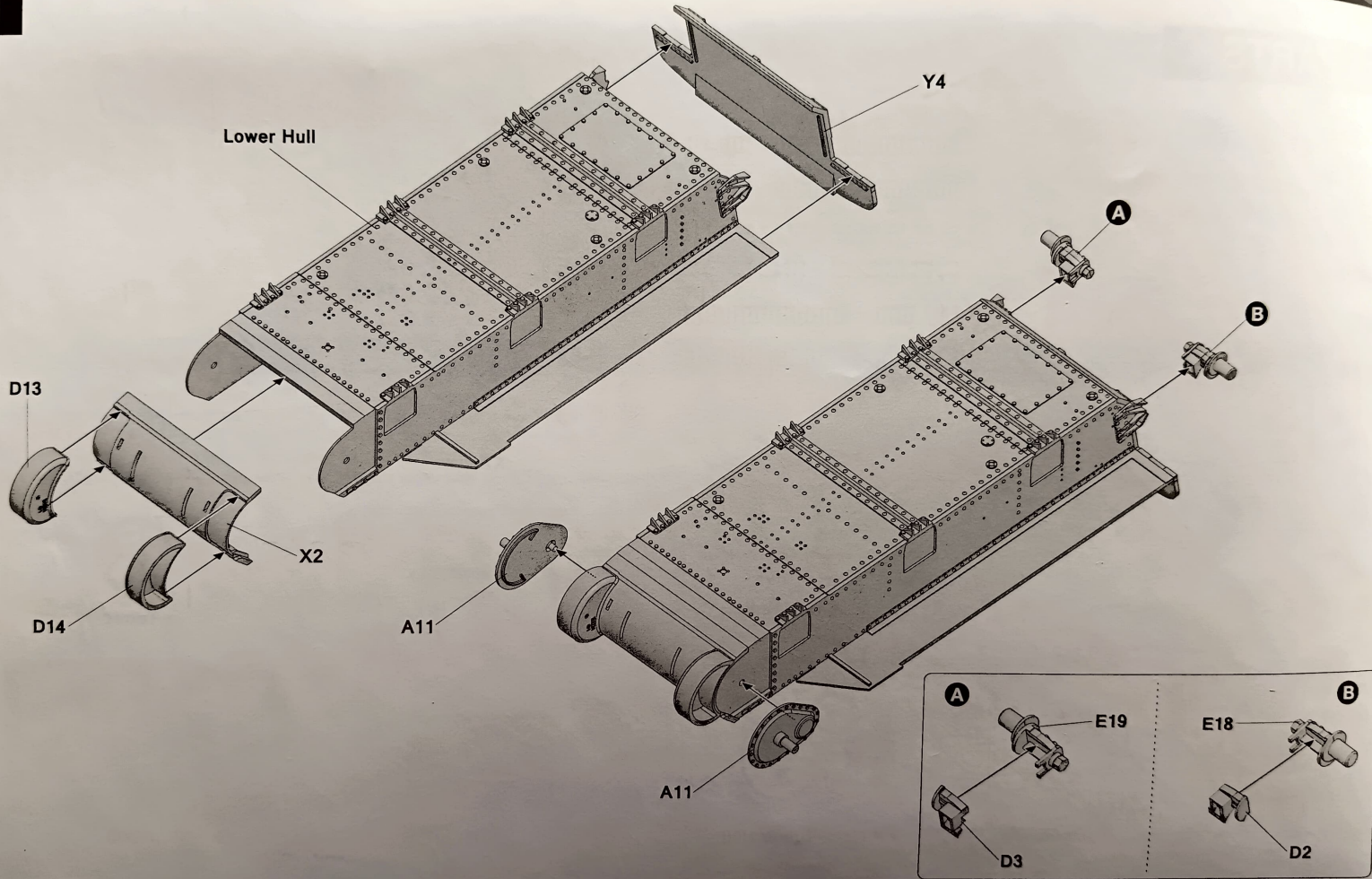
X2

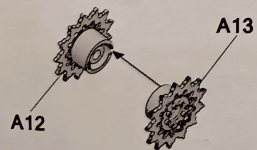
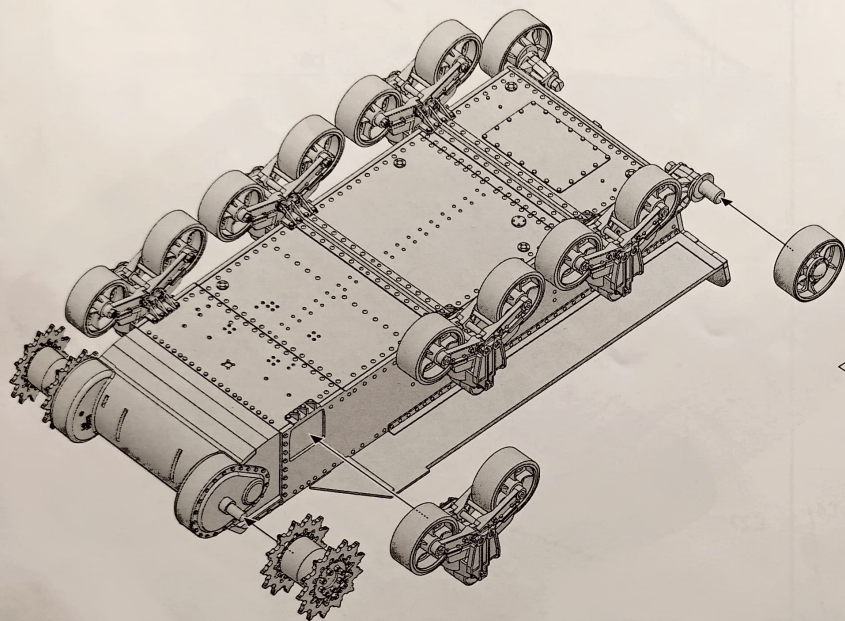


Turret

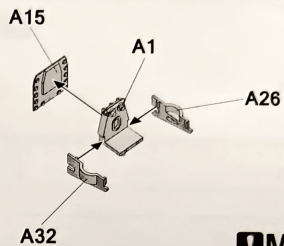
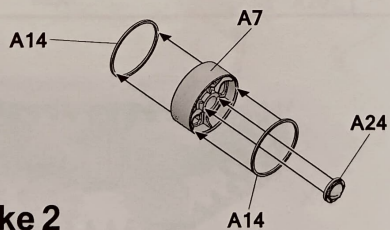


Decal

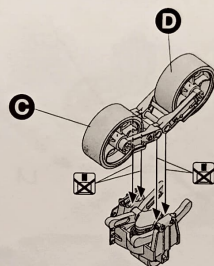
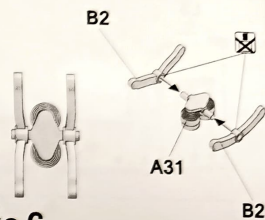




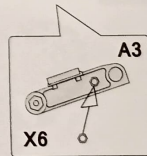
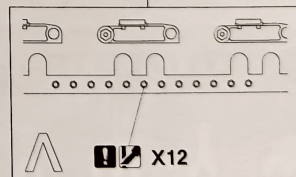
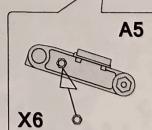
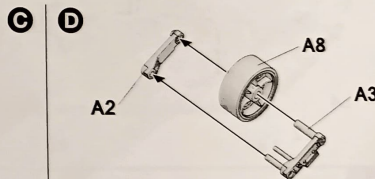
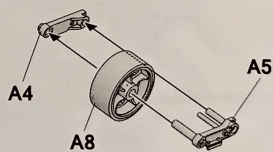
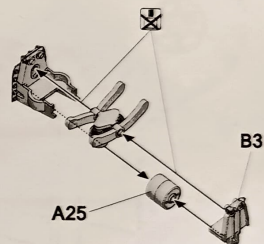
Make 2

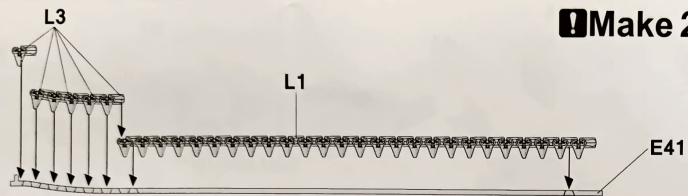
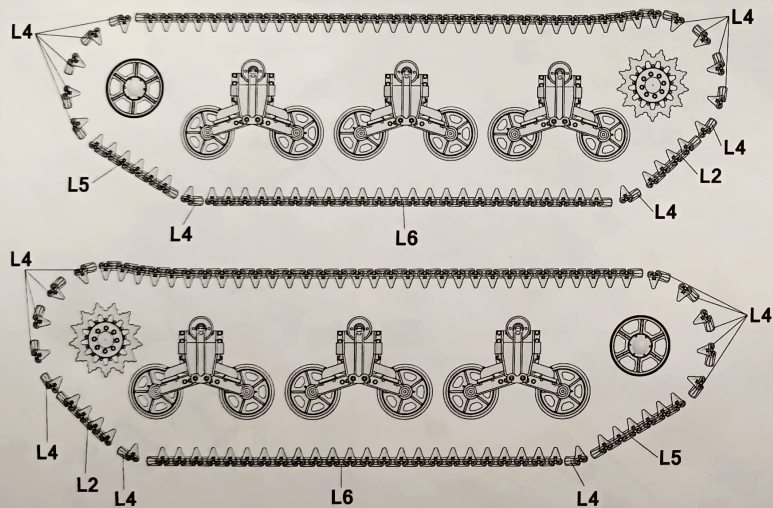
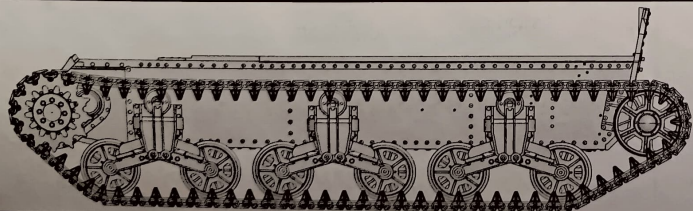
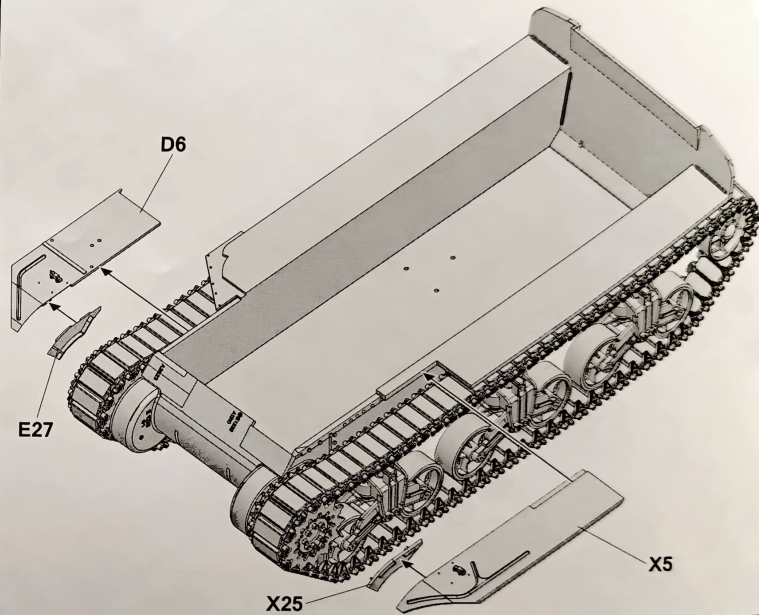
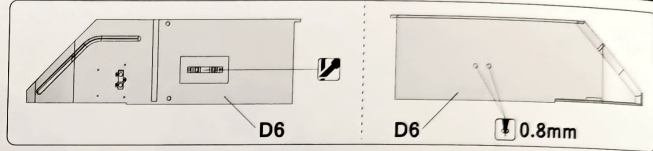


Make 6



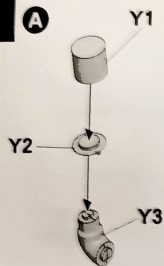
Make 6



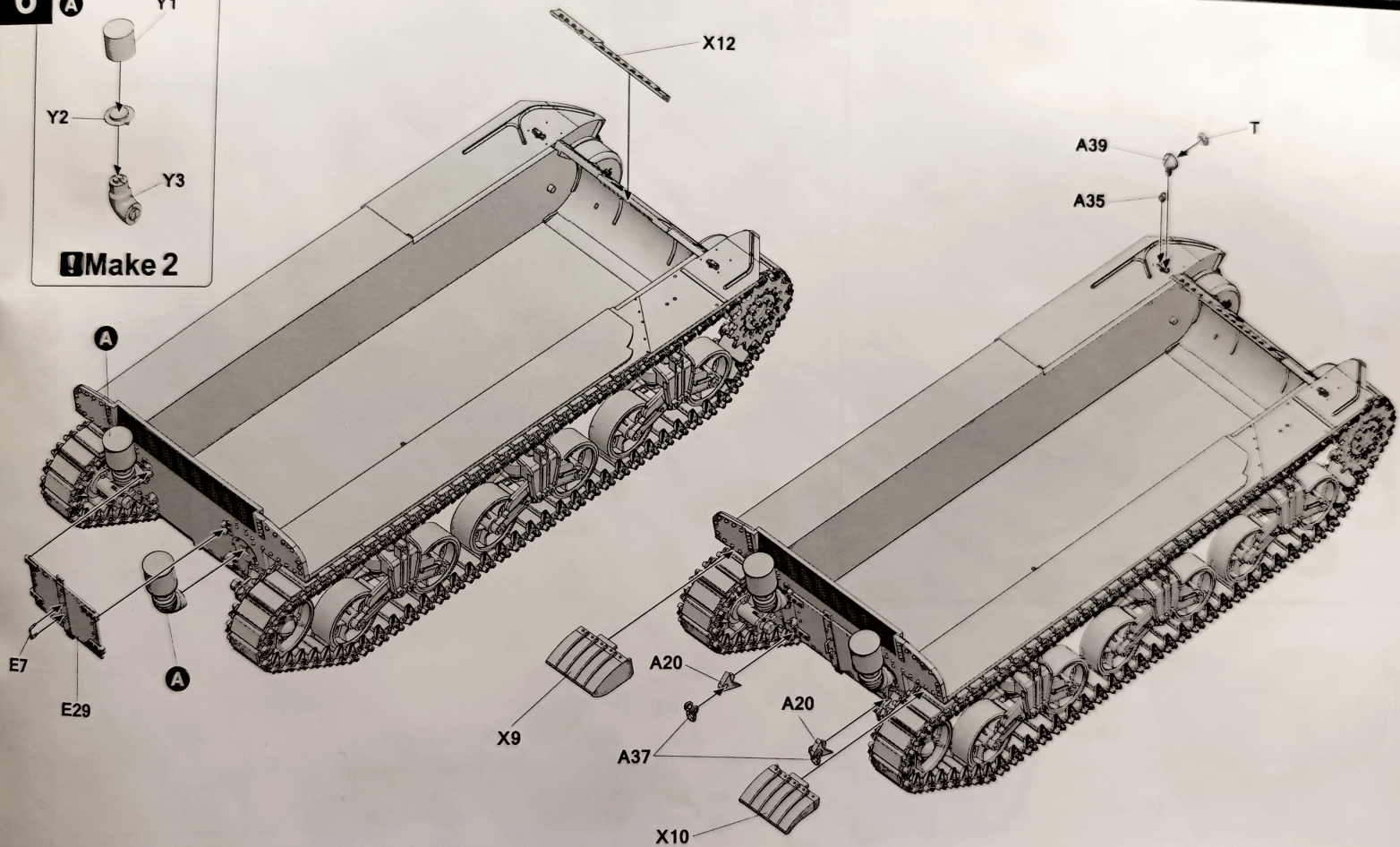
3**Make 2****4****5****5**

6

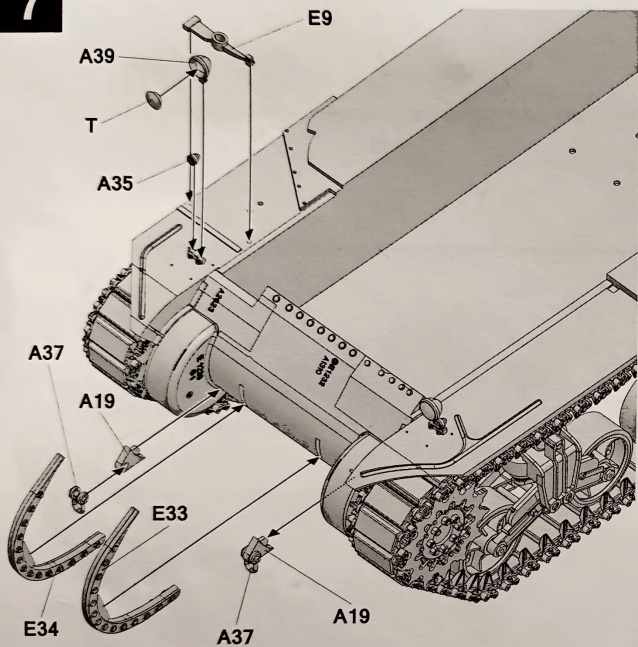
A



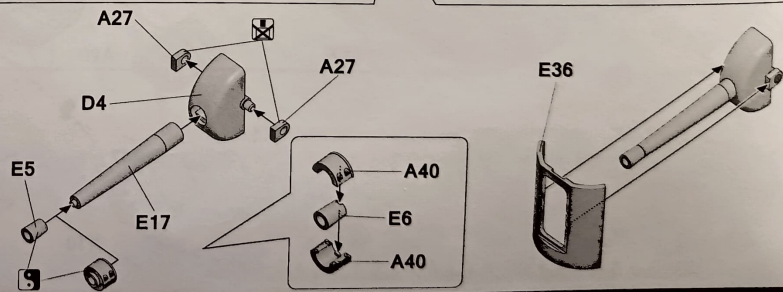
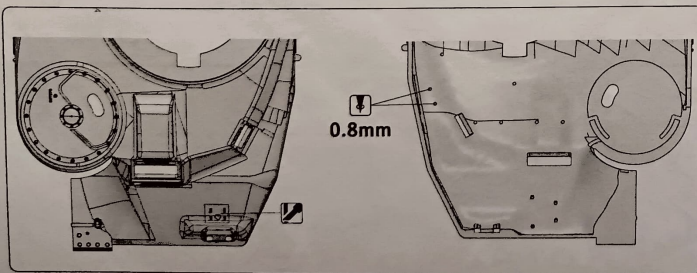
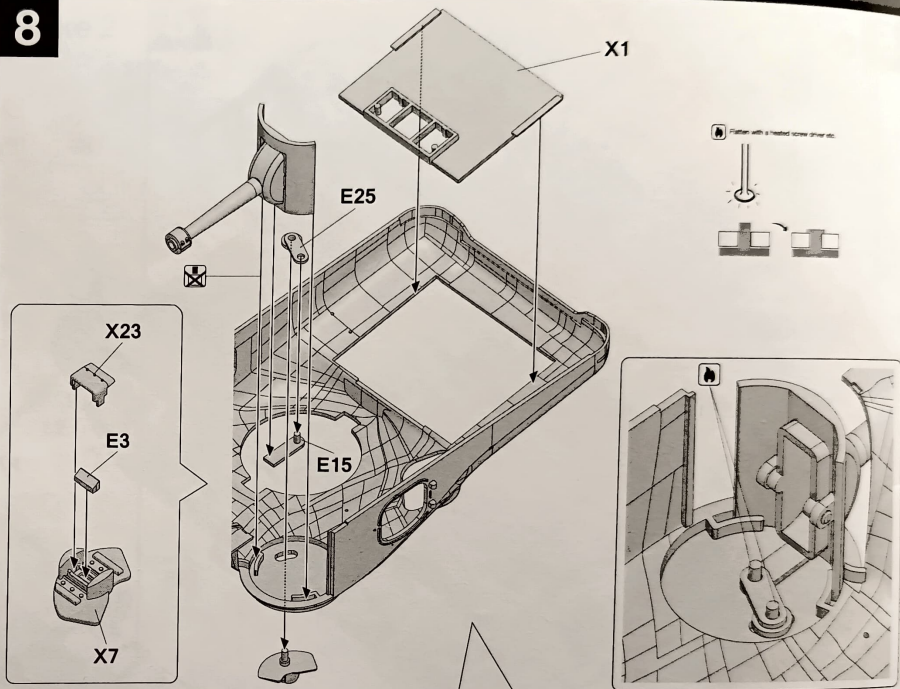
Make 2

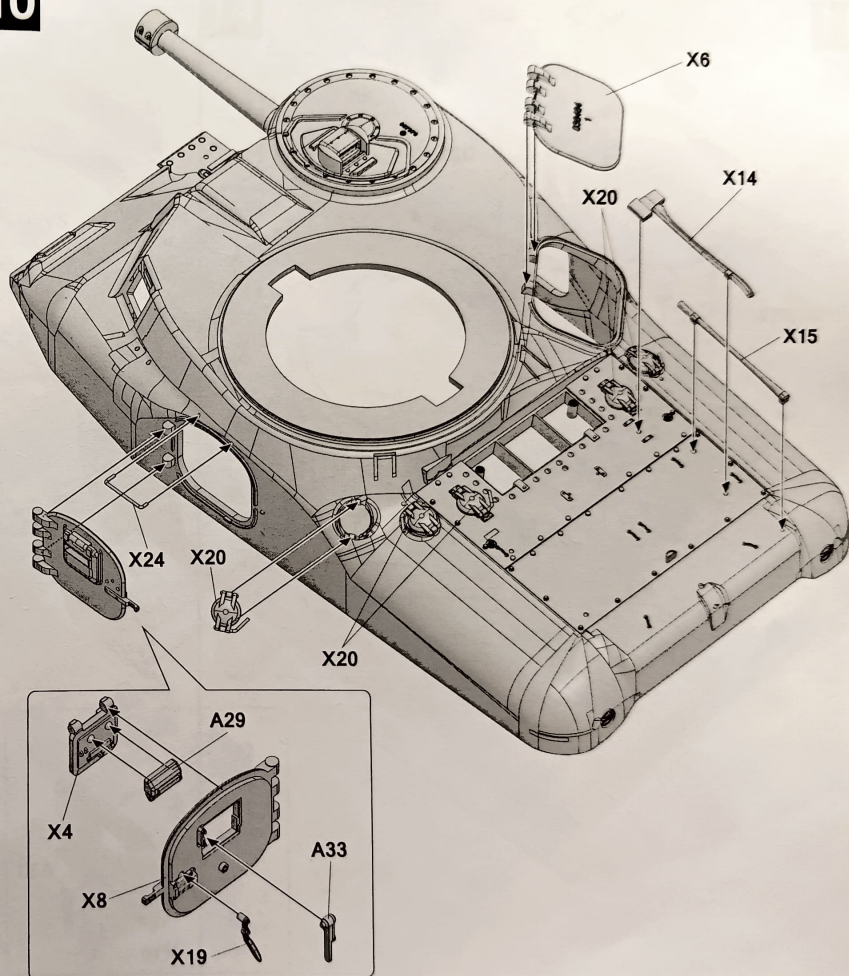
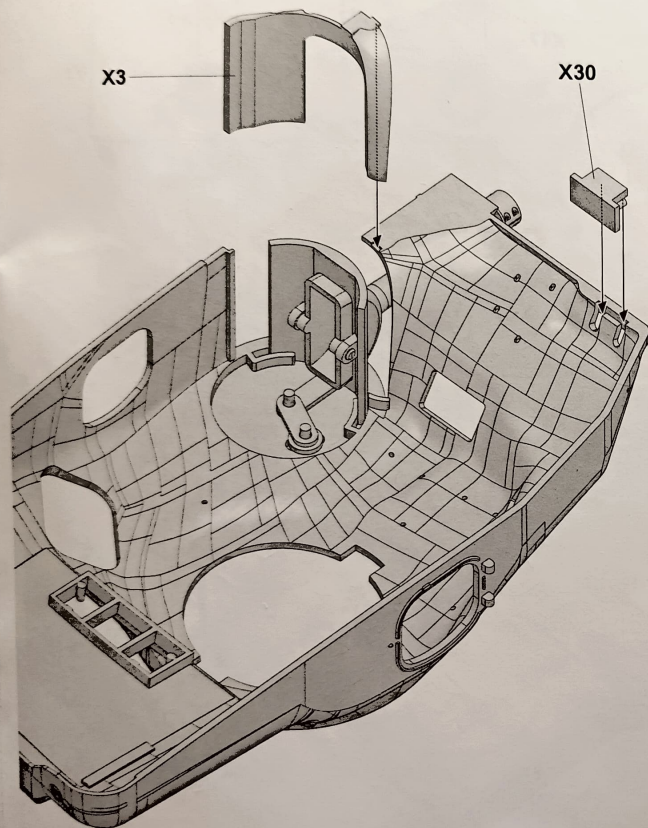


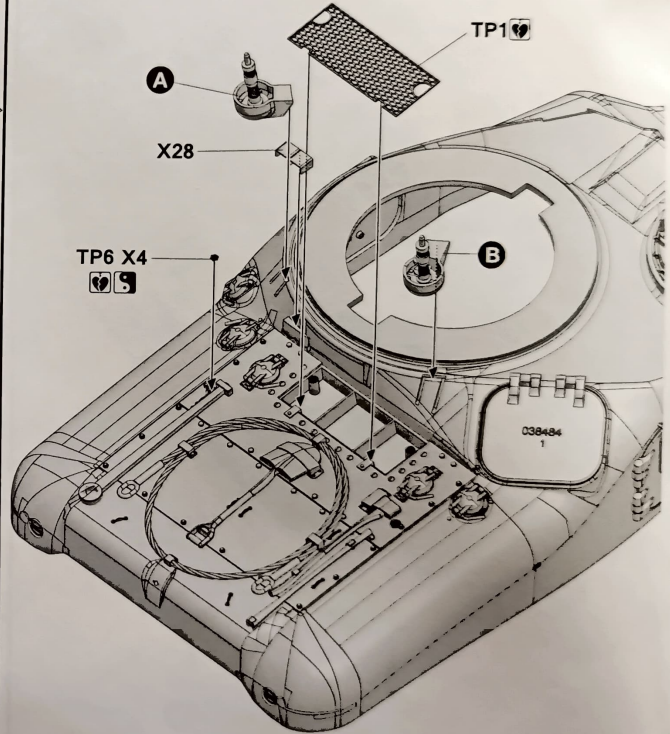
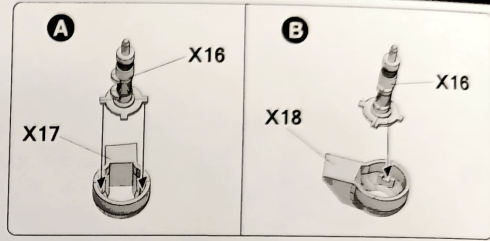
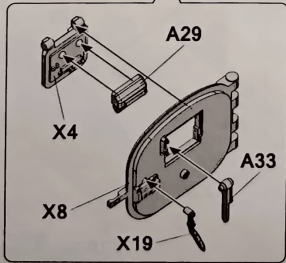
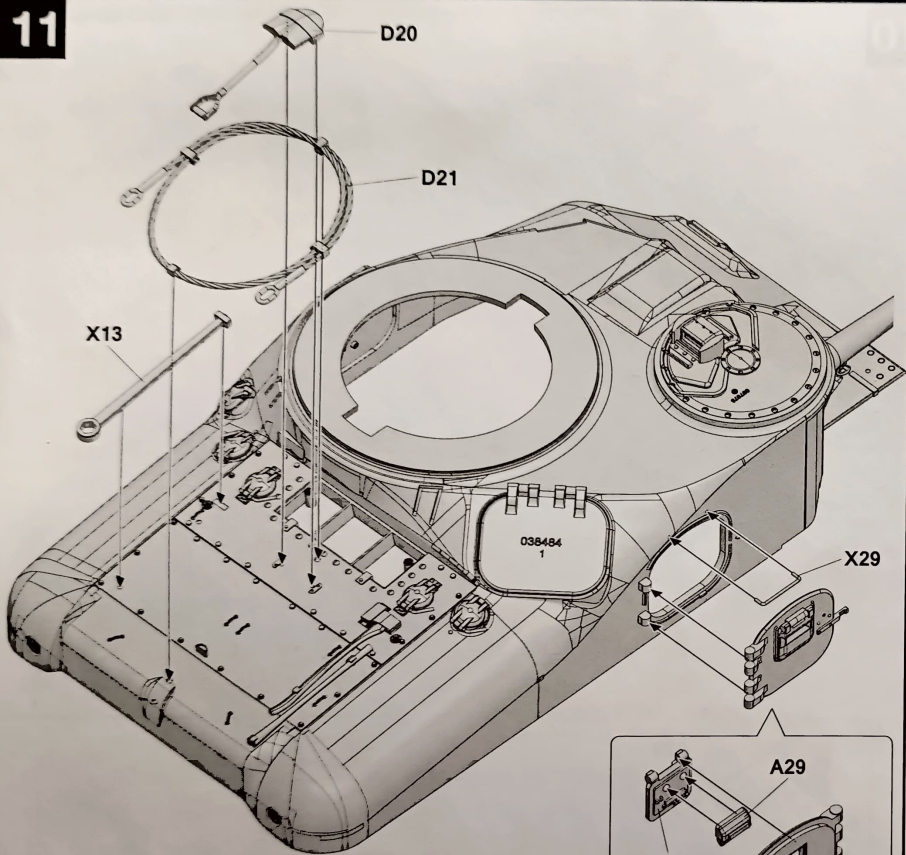
7



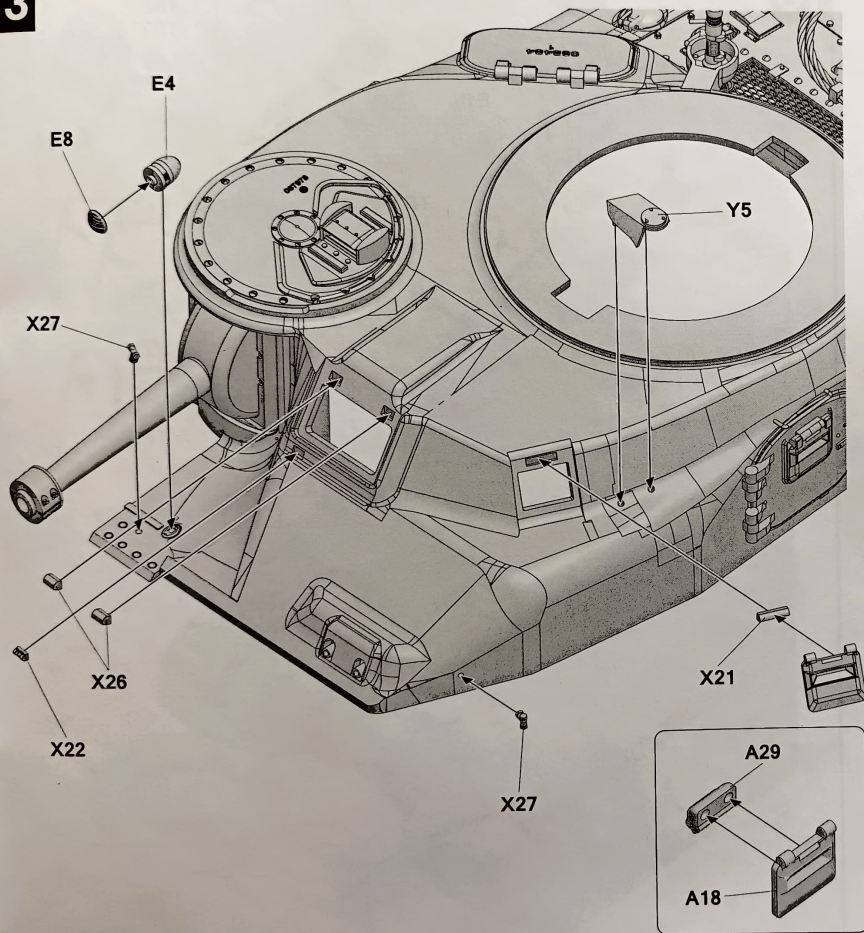
8



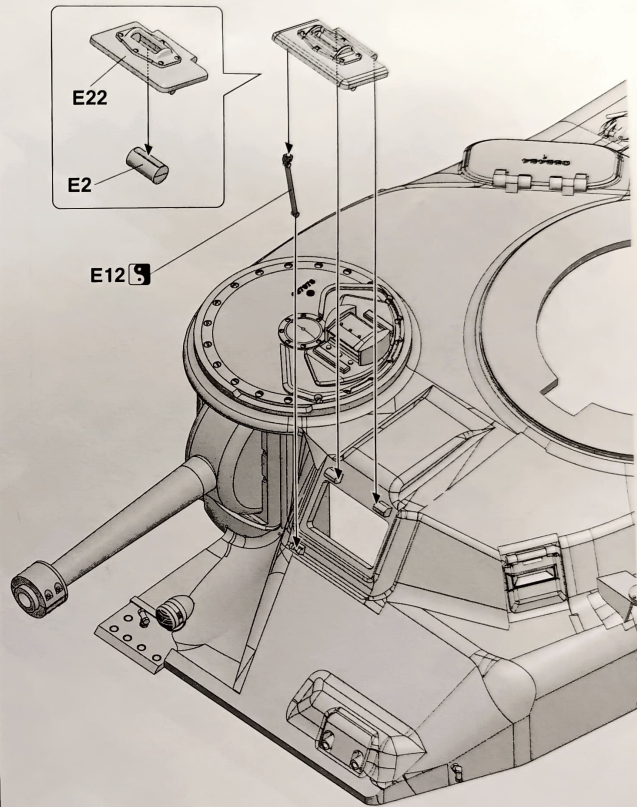




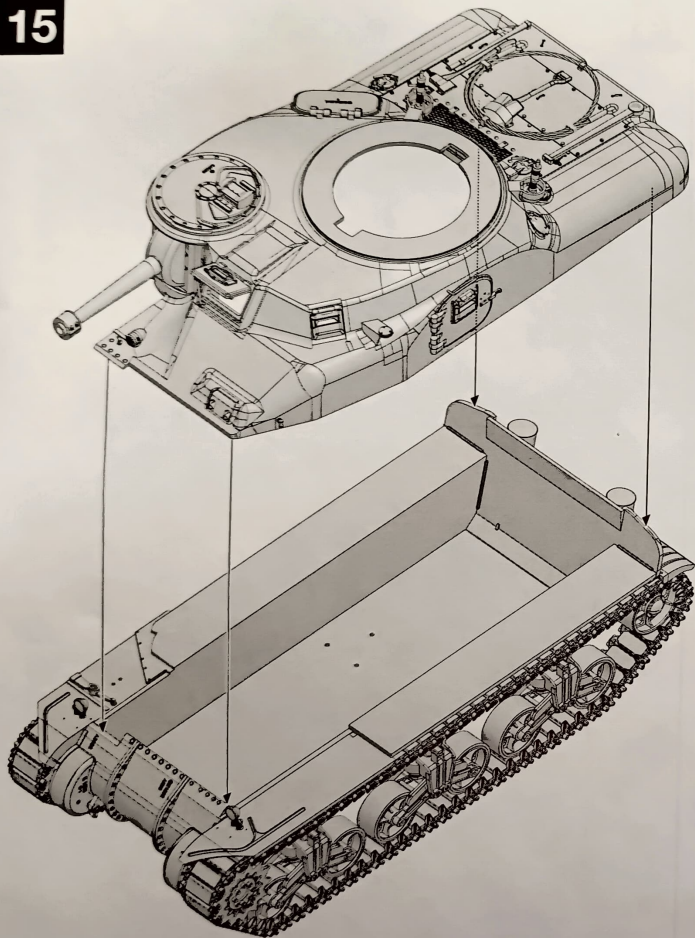
13



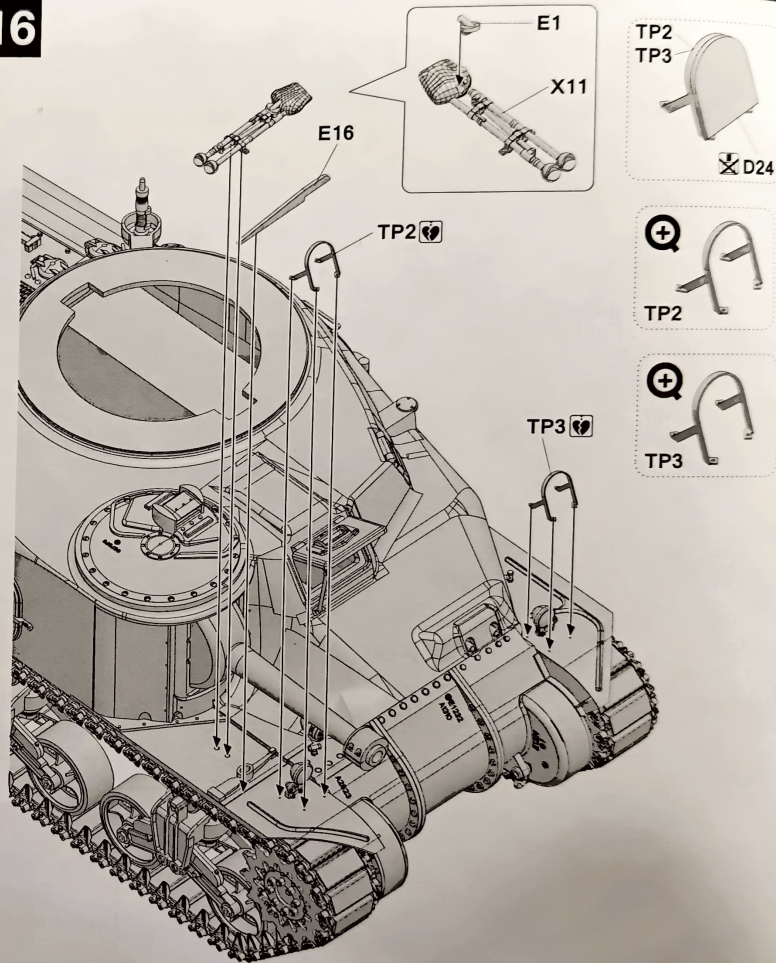
14

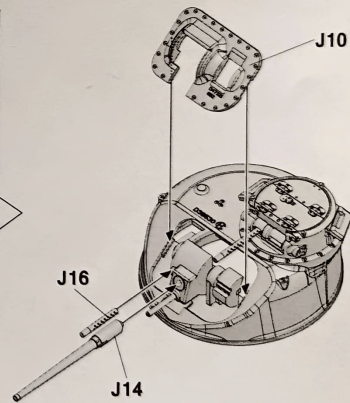
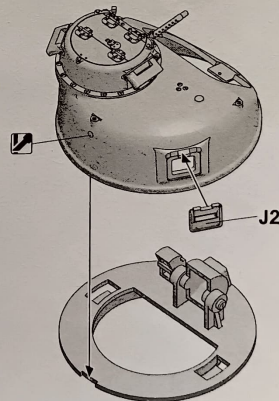
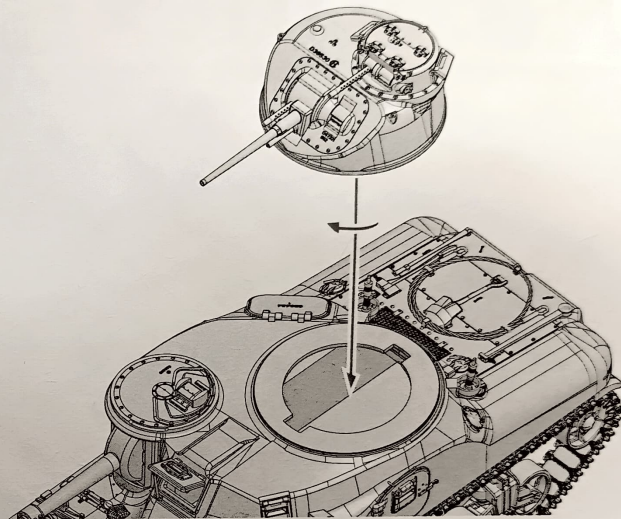
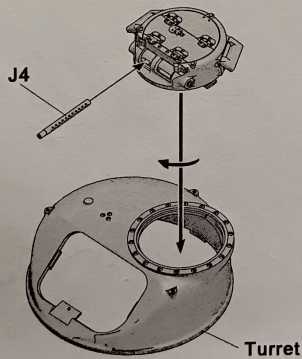
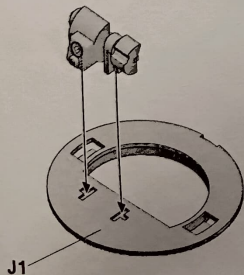
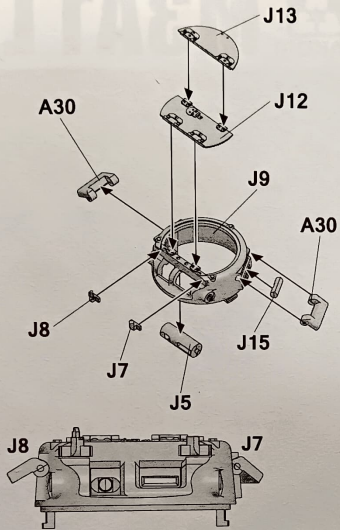
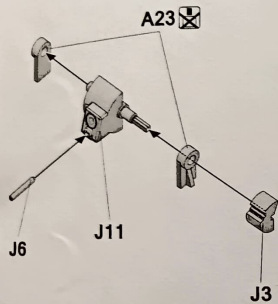


15



16





Painting and Marking Guide

AMMO 033 Rubber & Tires
 AMMO 035 Dark Tracks
 AMMO 036 Old Wood
 AMMO 045 Gun Metal

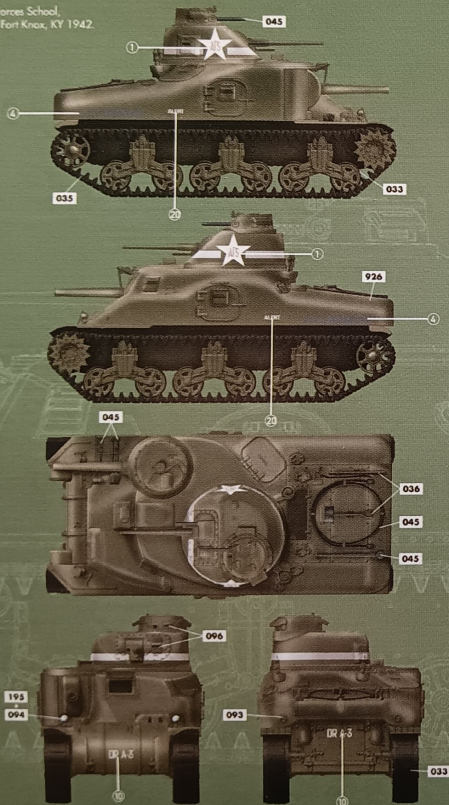
AMMO 093 Crystal Red
 AMMO 094 Crystal Glass
 AMMO 096 Crystal Penicope Green
 AMMO 193 Silver

AMMO 926 Olive Drab Base

TAKOM Ref: 2114

US Medium Tank M3A1 Lee

A-35 'ALERT', Armored Forces School, Demonstration Regiment, Fort Knox, KY 1942.



WEATHERING STEPS WITH AMMO PRODUCTS

- | | | | |
|---|---|---|---|
| 1 GENERAL WASH
A MIG-150 Dark Brown Wash for Green Vehicles | 3 STREAKING
A MIG-1396 Dark Streaking Glaze | 5 TRACK WASH
A MIG-1922 Tracks Wash | 7 SPLASHES
A MIG-1763 Turned Dirt |
| 2 FILTER
A MIG-1507 TAN for Yellow Green | 4 RUST
A MIG-3610 Rust | 6 RUST
A MIG-3094 Europa Earth | 8 RUST
A MIG-1704 Heavy Earth |

Painting and Marking Guide

AMMO 033 Rubber & Tires
 AMMO 035 Dark Tracks
 AMMO 036 Old Wood
 AMMO 045 Gun Metal

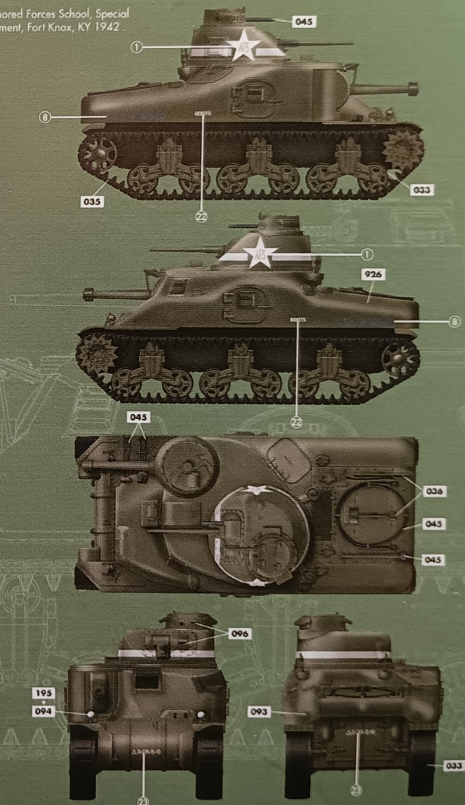
AMMO 093 Crystal Red
 AMMO 094 Crystal Glass
 AMMO 096 Crystal Penicope Green
 AMMO 193 Silver

AMMO 926 Olive Drab Base

TAKOM Ref: 2114

US Medium Tank M3A1 Lee

B-10, 'BOOTS', Armored Forces School, Special Demonstration Regiment, Fort Knox, KY 1942.



WEATHERING STEPS WITH AMMO PRODUCTS

- | | | | |
|---|---|---|---|
| 1 GENERAL WASH
A MIG-150 Dark Brown Wash for Green Vehicles | 3 STREAKING
A MIG-1396 Dark Streaking Glaze | 5 TRACK WASH
A MIG-1922 Tracks Wash | 7 SPLASHES
A MIG-1763 Turned Dirt |
| 2 FILTER
A MIG-1507 TAN for Yellow Green | 4 RUST
A MIG-3610 Rust | 6 RUST
A MIG-3094 Europa Earth | 8 RUST
A MIG-1704 Heavy Earth |

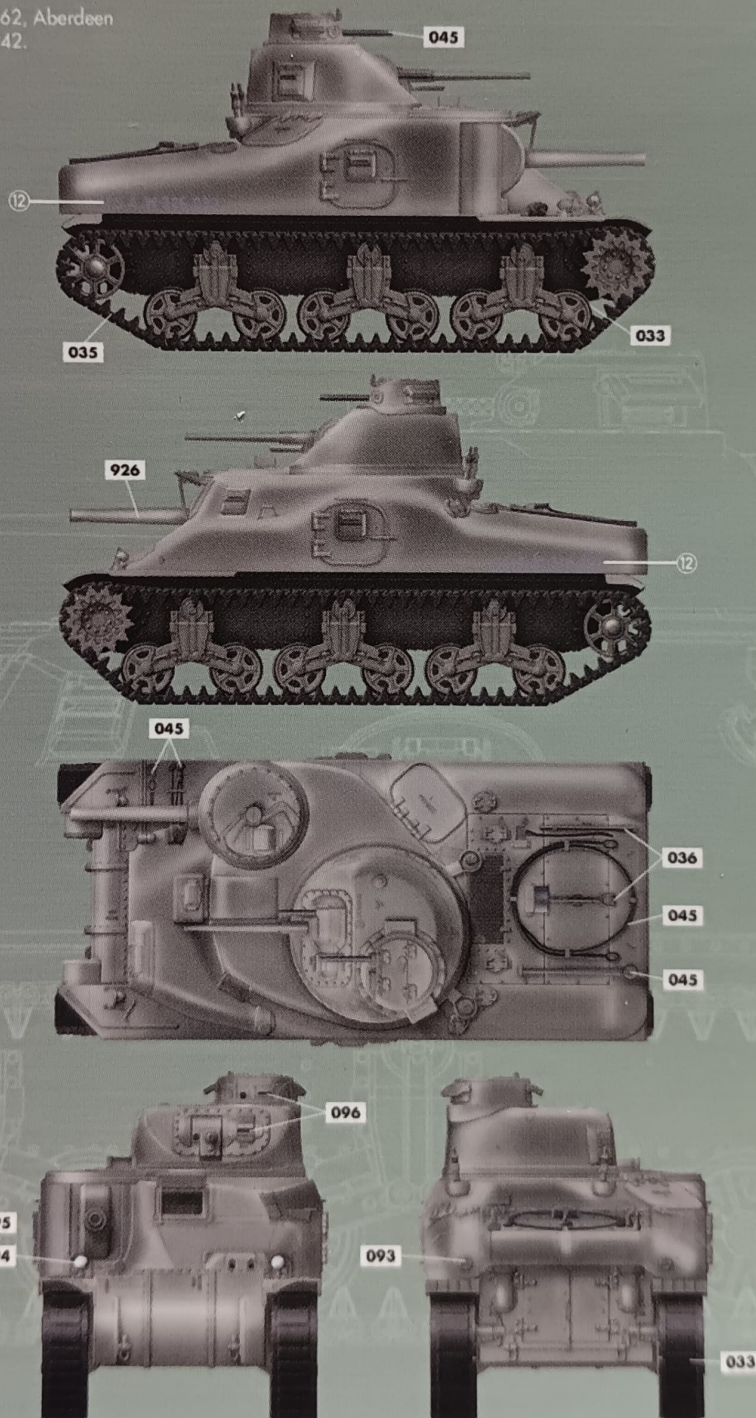
Painting and Marking Guide

TAKOM Ref: 2114

US Medium Tank M3A1 Lee

Pilot M3A1, Serial Number 1962, Aberdeen Proving Grounds, February 1942.

A.MIG 033 Rubber & Tires	A.MIG 035 Dark Tracks	A.MIG 036 Old Wood	A.MIG 045 Gun Metal
A.MIG 093 Crystal Red	A.MIG 094 Crystal Glass	A.MIG 096 Crystal Periscope Green	A.MIG 195 Silver
A.MIG 926 Olive Drab Base			



WEATHERING STEPS WITH AMMO PRODUCTS

1 GENERAL WASH

A.MIG-1005 Dark Brown Wash for Green Vehicles

2 FILTER

A.MIG-1507 TAN for Yellow Green

3 STREAKING

A.MIG-1206 Dark Streaking Grime

4 RUST

A.MIG-3510 Rust

5 TRACK WASH

A.MIG-1002 Tracks Wash

6 DUST

A.MIG-3004 Europe Earth

7 SPLASHES

A.MIG-1754 Damp Earth

8 MUD

A.MIG-1705 Wet Mud

03.03.2114



M3A1 LEE

www.migjimenex.com

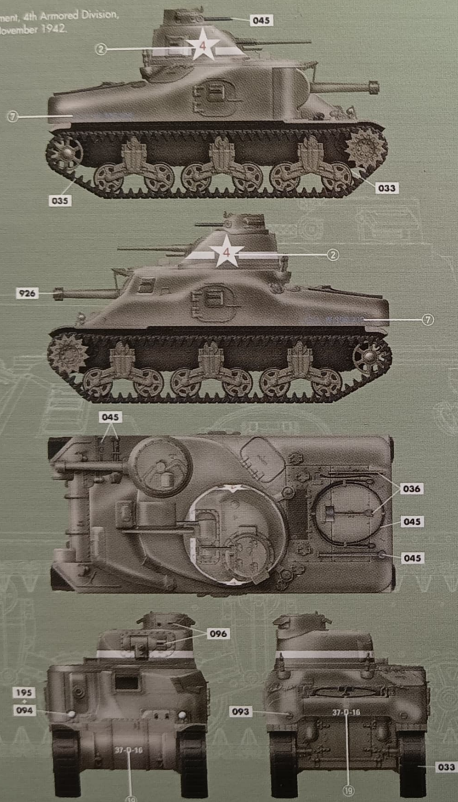


Painting and Marking Guide

TAKOM Ref: 2114

US Medium Tank M3A1 Lee

D-16, 37th Armored Regiment, 4th Armored Division,
Tennessee Maneuvers, 3 November 1942.



WEATHERING STEPS WITH AMMO PRODUCTS

- | | | | |
|--|--|---|--|
| 1 GENERAL WASH
A.MIG-1208 Dark Brown Wash for Green Vehicles | 3 STREAKING
A.MIG-1206 Rainmarks | 5 TRACK WASH
A.MIG-1092 Tracks Wash | 7 SPLASHES
A.MIG-1762 Loose Ground |
| 2 FILTER
A.MIG-1507 TAN for Yellow Green | 4 RUST
A.MIG-3515 Rust | 6 DUST
A.MIG-5013 Rubble | 8 MUD
A.MIG-1703 Moist Ground |

03.03.2114



M3A1 LEE

www.migjimenex.com

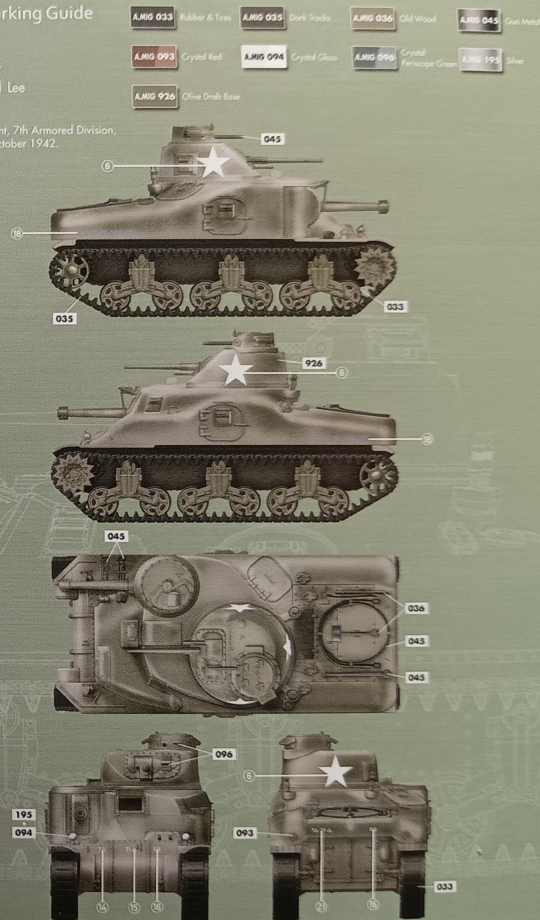


Painting and Marking Guide

TAKOM Ref: 2114

US Medium Tank M3A1 Lee

E-5, 31st Armored Regiment, 7th Armored Division,
Louisiana Maneuvers, 3 October 1942.



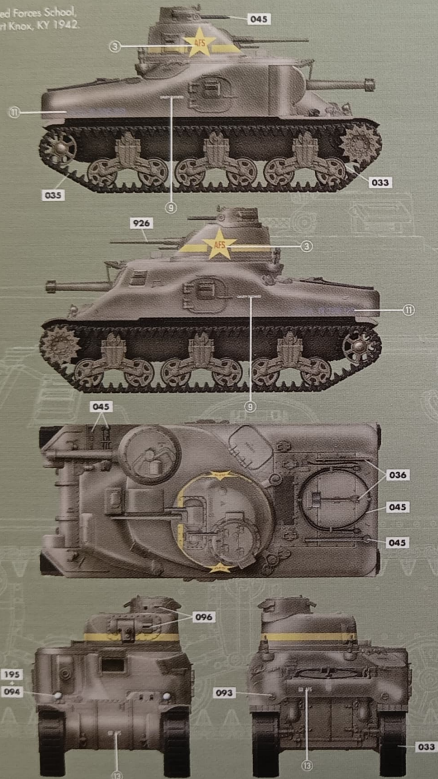
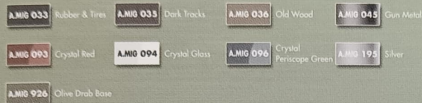
WEATHERING STEPS WITH AMMO PRODUCTS

- | | | | |
|--|---|---|--|
| 1 GENERAL WASH
A.MIG-1092 Dark Brown Wash for Green Vehicles | 3 STREAKING
A.MIG-1208 Dark Streaking Grime | 5 TRACK WASH
A.MIG-1092 Tracks Wash | 7 SPLASHES
A.MIG-1762 Loose Ground |
| 2 FILTER
A.MIG-1507 TAN for Yellow Green | 4 RUST
A.MIG-3510 Rust | 6 DUST
A.MIG-3004 Europe Earth | 8 MUD
A.MIG-1703 Moist Ground |

Painting and Marking Guide

TAKOM Ref: 2114
US Medium Tank M3A1 Lee

'GALDIY DUCHESSE', Armored Forces School,
Demonstration Regiment, Fort Knox, KY 1942.



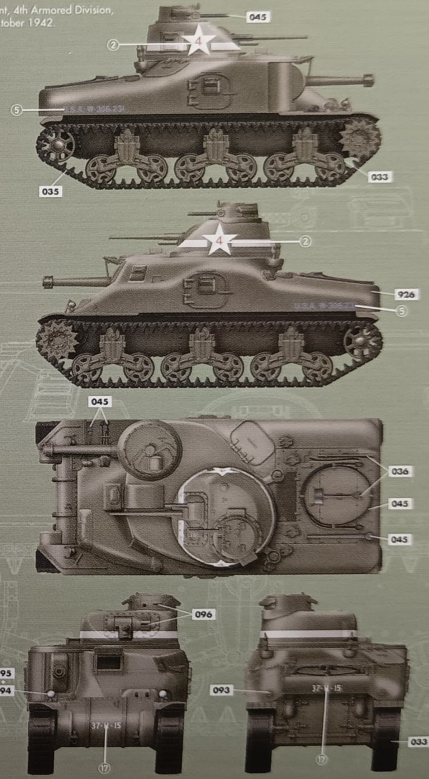
WEATHERING STEPS WITH AMMO PRODUCTS

- | | | |
|---|---|---|
| 1 GENERAL WASH
A.MIG-100 Dark Brown Wash for Green Vehicles | 3 STREAKING
A.MIG-1206 Dark Brown Wash for Green Vehicles | 7 SPLASHES
A.MIG-1753 Turned Dirt |
| 2 FILTER
A.MIG-1507 TAN for Yellow Green | 4 RUST
A.MIG-3510 Rust | 8 RUST
A.MIG-3004 Europe Earth |
| | 5 TRACK WASH
A.MIG-1002 Tracks Wash | 9 MID
A.MIG-1704 Heavy Earth |

Painting and Marking Guide

TAKOM Ref: 2114
US Medium Tank M3A1 Lee

H: 15, 37th Armored Regiment, 4th Armored Division,
Tennessee Maneuvers, 15 October 1942.



WEATHERING STEPS WITH AMMO PRODUCTS

- | | | |
|---|---|--|
| 1 GENERAL WASH
A.MIG-100 Dark Brown Wash for Green Vehicles | 3 STREAKING
A.MIG-1208 Palmmarks | 7 SPLASHES
A.MIG-1752 Loose Ground |
| 2 FILTER
A.MIG-1507 TAN for Yellow Green | 4 RUST
A.MIG-3013 Rubble | 8 MID
A.MIG-1703 Metal Ground |
| | 5 TRACK WASH
A.MIG-1002 Tracks Wash | |