



**F-104J Starfighter J.A.S.D.F F-104J スターファイター航空自衛隊 “栄光”**

The F-104 Starfighter is a single-engine, supersonic interceptor aircraft which later became widely used as an attack aircraft. Initially a day fighter, it was developed into an all-weather fighter in the late 1960s. It was originally developed by Lockheed for the United States Air Force (USAF), but was later produced by several other nations, seeing widespread service outside the United States. One of the Century Series of fighter aircraft, it was operated by the air forces of more than a dozen nations from 1958 to 2004. Its design team was led by Kelly Johnson, who contributed to the development of the P-38 Lightning, U-2, SR-71 Blackbird, and other Lockheed aircraft.

The F-104J was the Japan Air Self Defense Forces' specialized interceptor version of the F-104G, which was built under license in Japan by Mitsubishi. A total of 210 aircraft were built and were used in the air-superiority role. Nicknamed "Eiko" (glory) but more commonly referred to as the "Maru-Yon" (One-Four), the Starfighter fueled many a youngster's dreams of becoming a jet fighter pilot in Japan during the Showa era.

ロッキードF-104スターファイターは、後に攻撃機としても広く使用されるようになったシングルエンジンの超音速迎撃機です。この戦闘機は、1960年代後半に全天候戦闘機として開発されました。もともと米空軍(USAF)向けにロッキードによって開発されましたが、後に諸外国でも生産されました。センチュリーシリーズの1つであるF-104は、1958年から2004年までの間に12か国以上の国によって運用されていました。その設計チームはロッキードP-38ライトニング、U-2、ロッキードSR-71ブラックバードの開発に貢献したケリー・ジョンソンが率っていました。

日本において三菱重工業がライセンス生産し、航空自衛隊で使用されたタイプがF-104Jです。日本では要撃機という要求にあわせて対地攻撃能力及び空中給油装置も装備していませんでした。1962年から178機が生産されました。細長い胴体に短い主翼をつけた姿は高速機を思わせ、「栄光」の愛称で長らく親しまれました。しかし後継機であるF-4EJ及びF-15Jの配備が進み1986年には全機が実戦部隊から退役しました。なお当機は当時「最後の有人戦闘機」と呼ばれましたが、これは将来的に日本では戦闘機はすべて地对空ミサイルに置き換えられるというミサイル万能論の影響であったとされます。

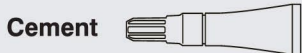
**CAUTION**

- \*Read carefully and fully understand the instructions before commencing assembly.
- \*Keep out of reach of children. Children must not be allowed to put any parts in their mouths, or pull plastic bag over their heads.
- \*When using adhesives and paints, please make sure not to use them in closed room or near the fire.
- \*When assembling this kit, tools including knives are used. Extra care should be taken to avoid injury.

**WARNING: CONTAIN SMALL PARTS NOT FOR CHILDREN UNDER 14 YEARS OF AGE.**



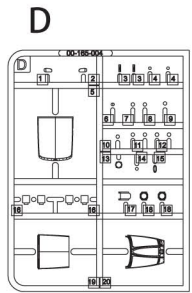
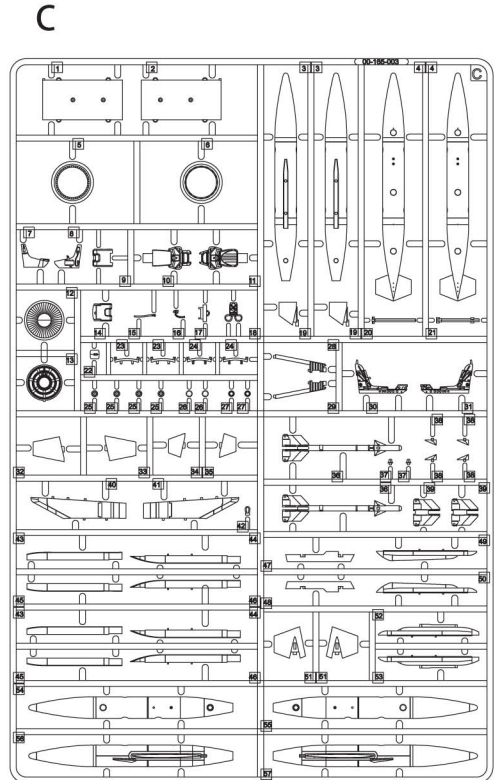
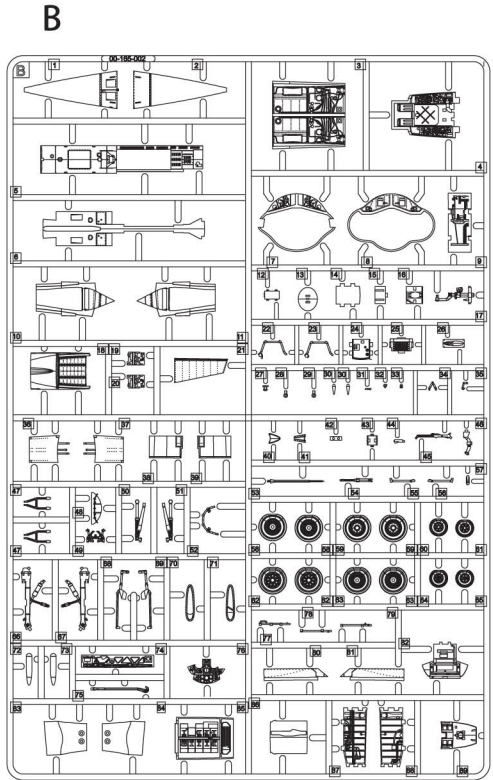
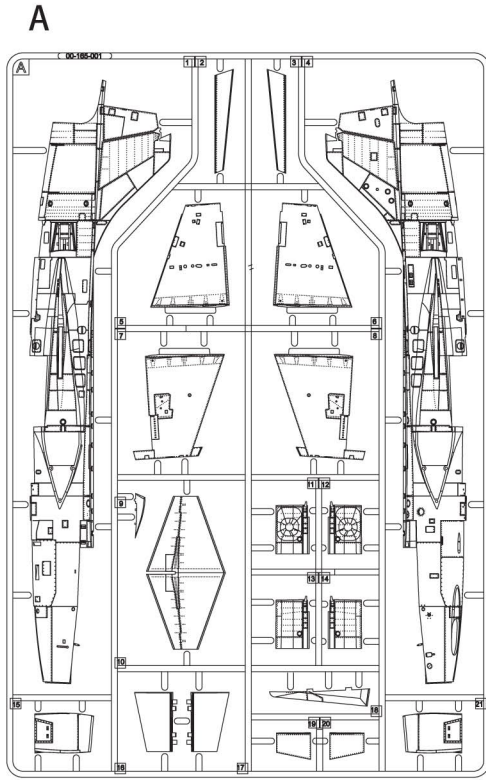
**TOOLS RECOMMENDED**



**AFTERMARKET SERVICES CARD**

When requesting replacement parts, please take or send this form to your local dealer so that the parts required can be correctly identified. Please note that specifications and availability are subject to change without notice. Or visit <http://www.kineticmodel.com> for latest information. For more information, please contact [services@kineticmodel.com](mailto:services@kineticmodel.com)

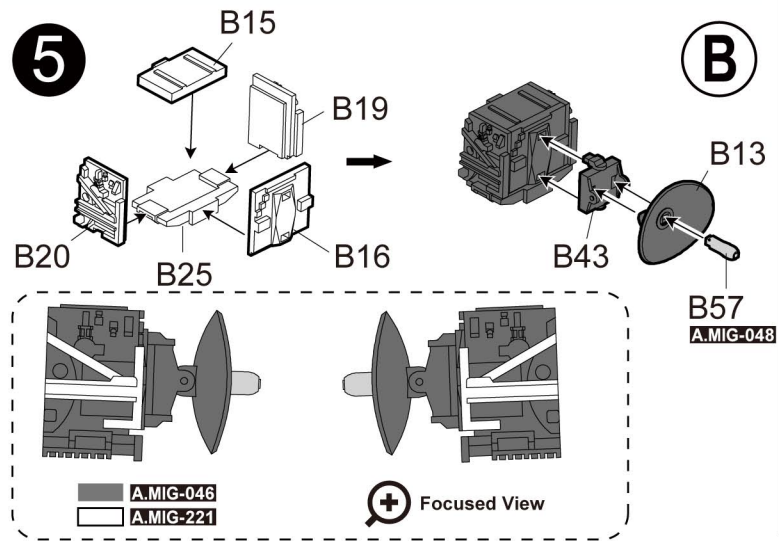
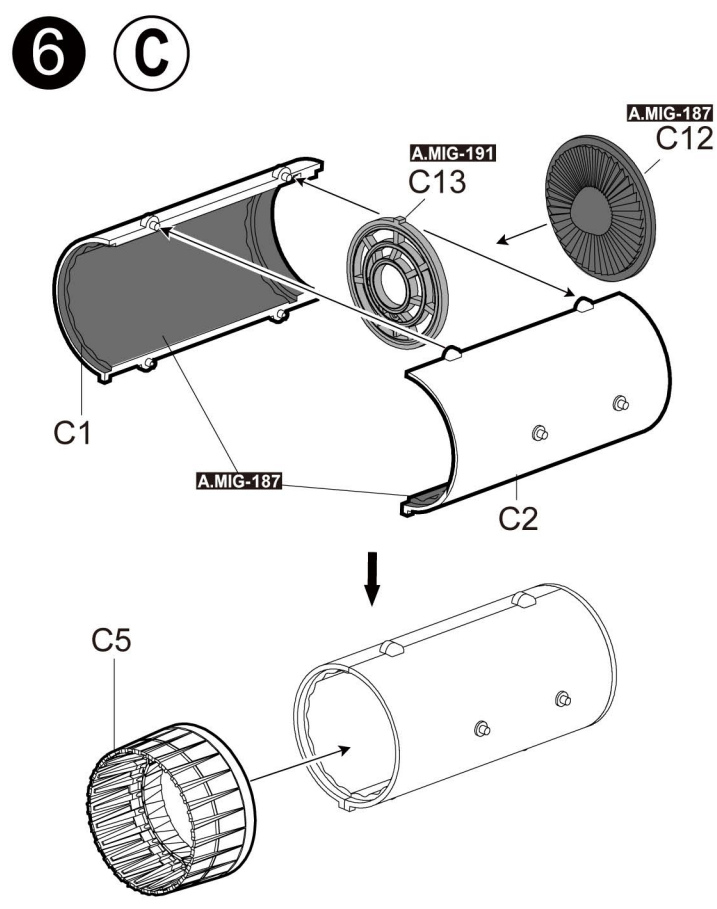
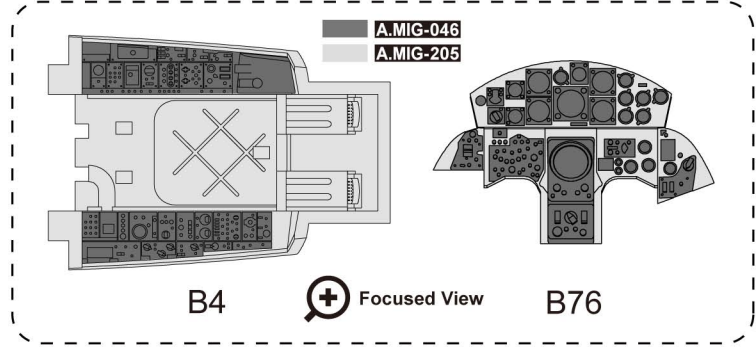
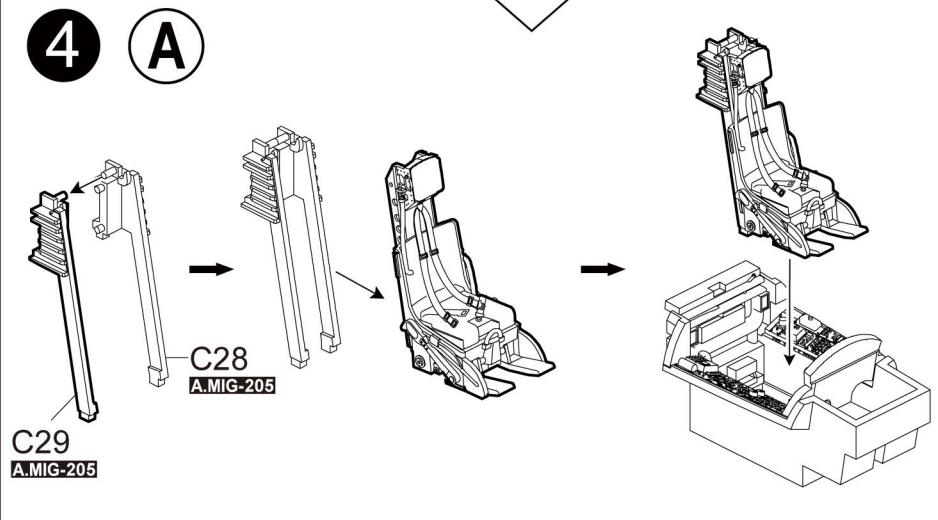
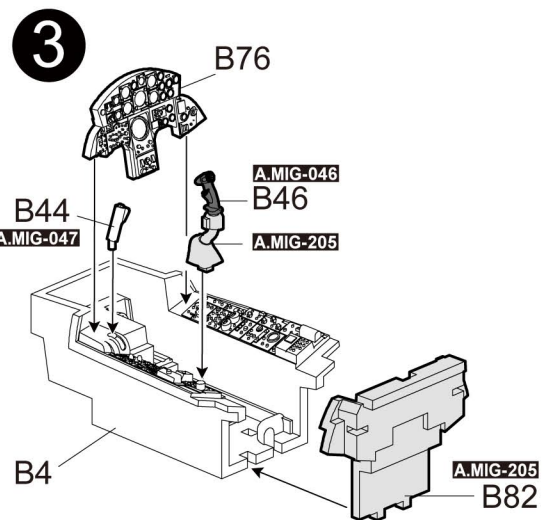
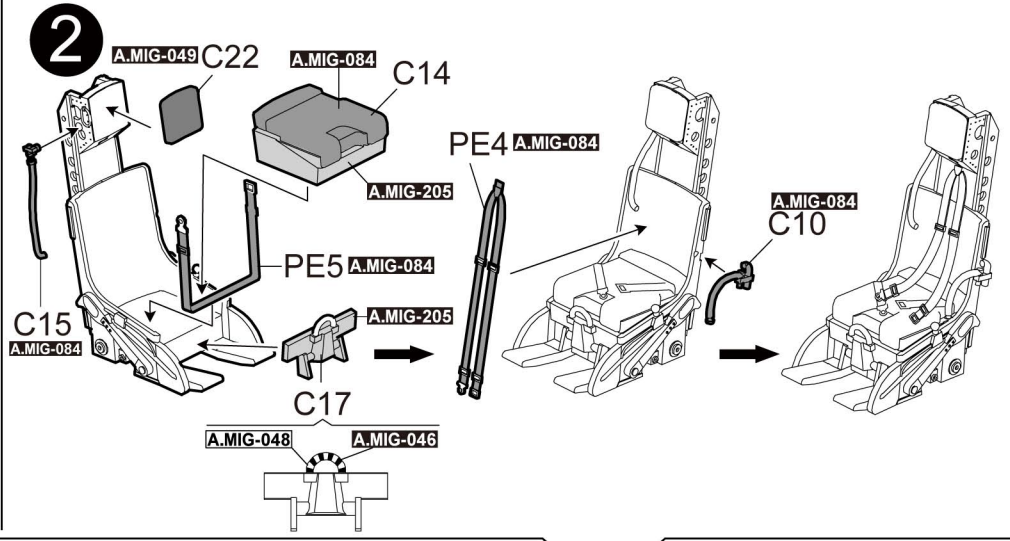
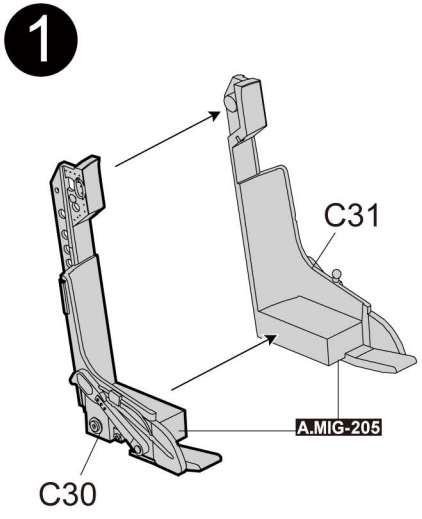
Part Code	K48080	Qty	Item
00-165-001	1/48 F-104G FUESLAGE, COCKPIT, ACCESSORIES	1	A
00-165-002	1/48 F-104 WINGS, TANK ACCESSORIES	1	B
00-165-003	1/48 F-104 NLG,MLG PARTS	1	C
00-165-004	1/48 F-104G/TF-104G CANOPY	1	D
01-165-48080	1/48 F-104J JASDF	1	Decal
03-165-48080	1/48 F-104J JASDF	1	MANUAL
06-165-48083	1/48 F-104/TF-104 PE	1	PE

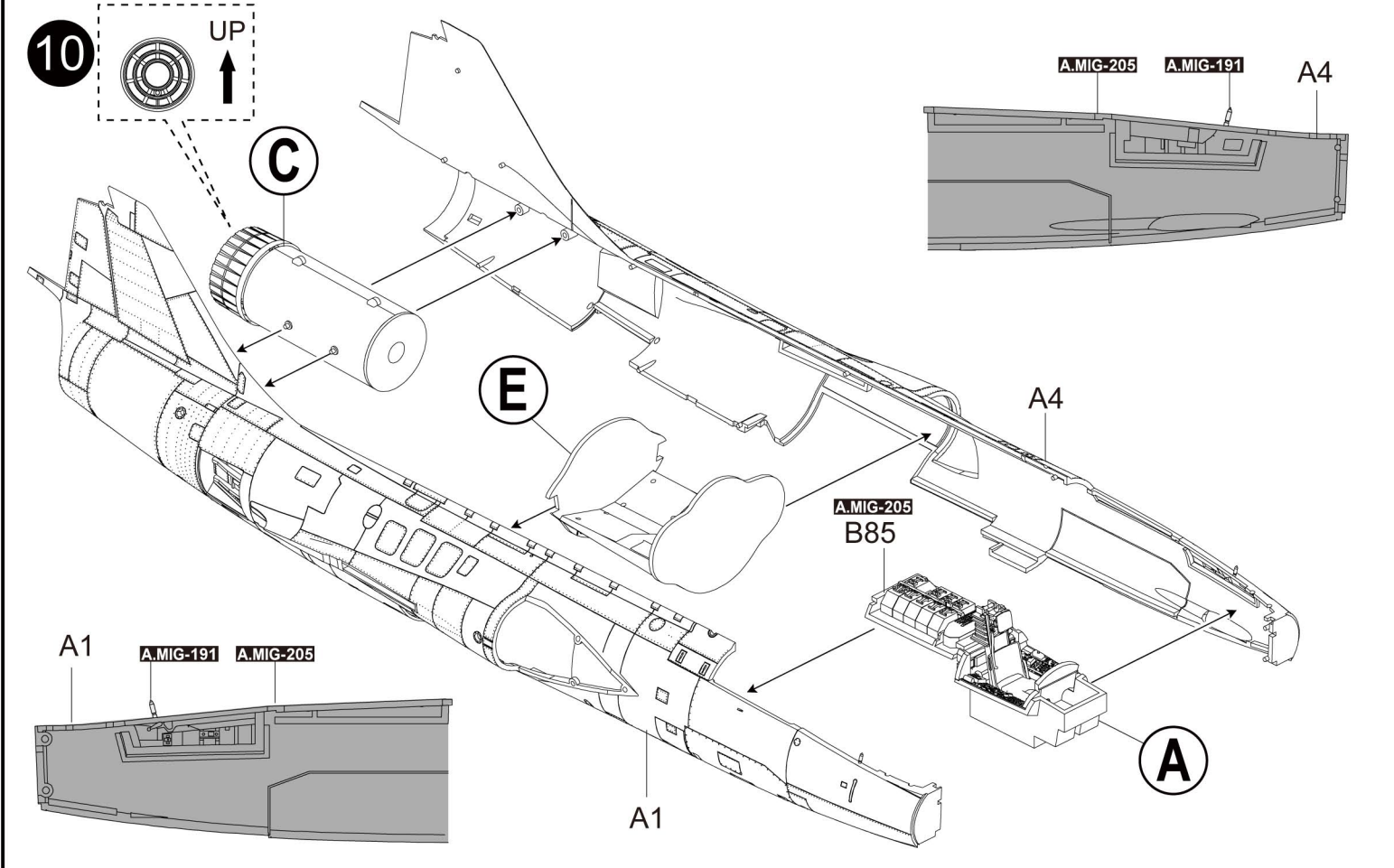
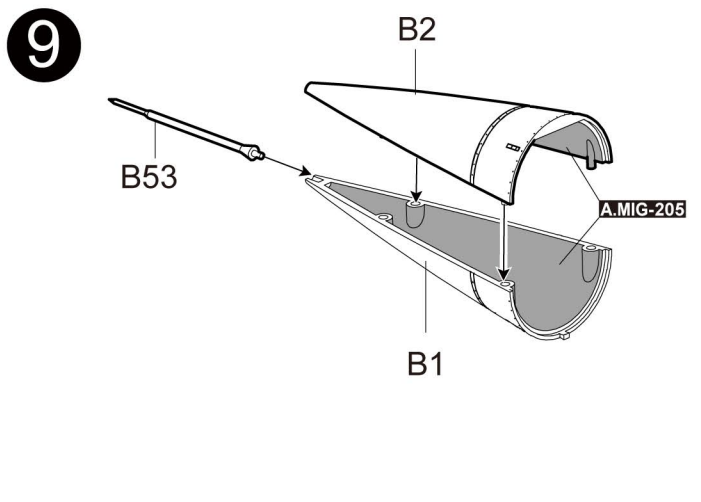
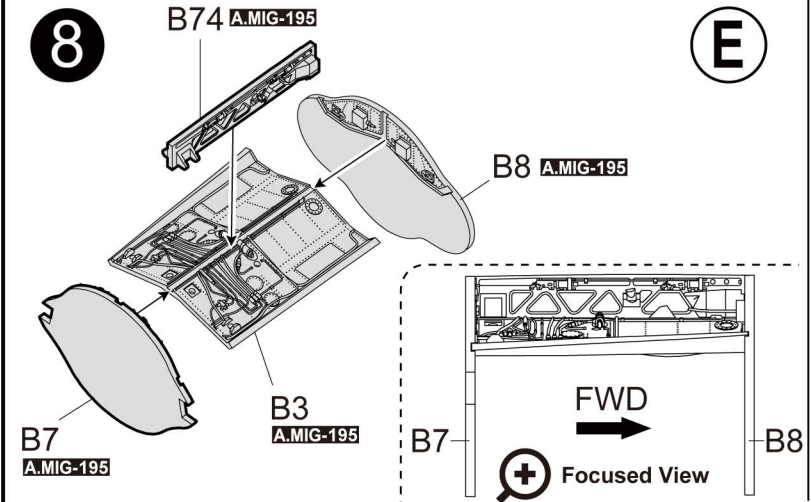
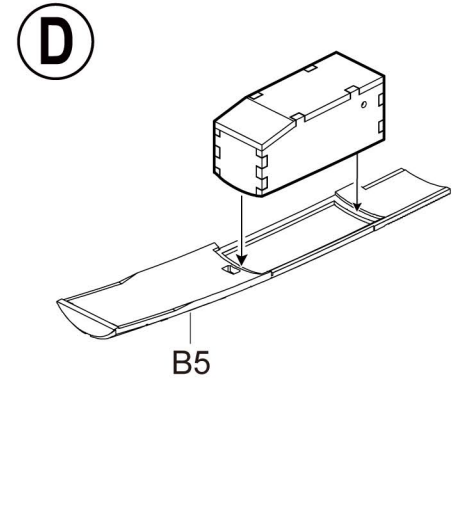
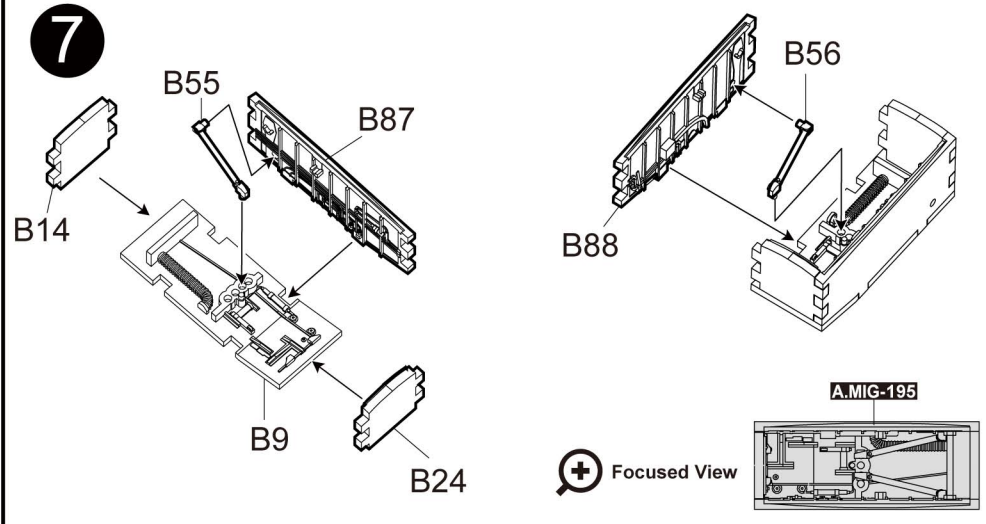




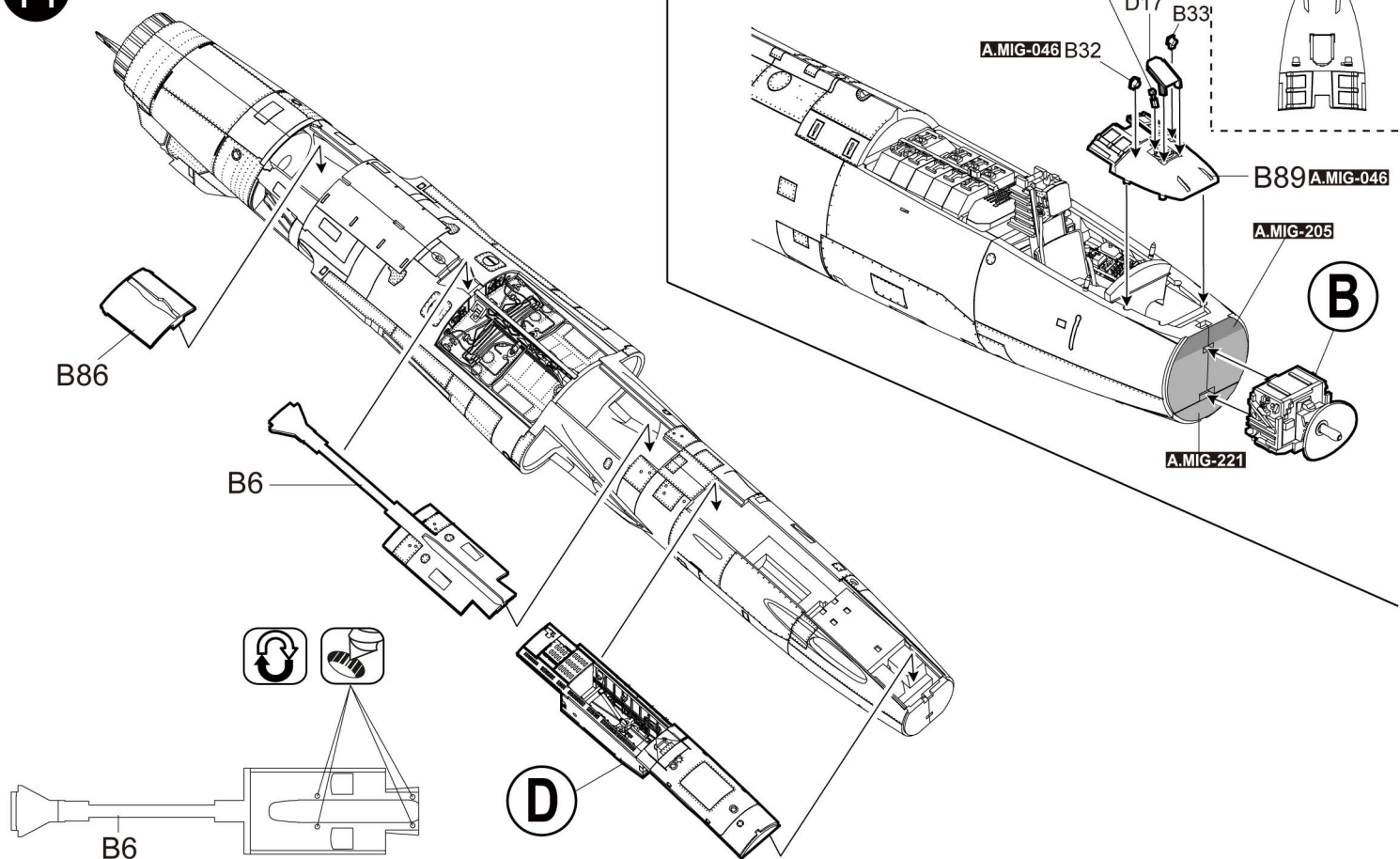
COLOR	AMMO MIG	VALLEJO MODEL COLOR	GSI CREOS MR. COLOR	TAMIYA ENAMEL/ACRYLIC	HUMBROL ENAMEL
SAND YELLOW	A.MIG-030	70.887	304	XF-72	155
RUBBER & TIRES	A.MIG-033	70.306	137	XF-85	-
MATT BALCK	A.MIG-046	71.057	33	XF-1	33
SATIN WHITE	A.MIG-047	70.842	1	X-2	22
YELLOW	A.MIG-048	71.002	4	XF-3	69
RED	A.MIG-049	71.003	3	XF-7	153
KHAKI	A.MIG-071	70.339	H404	XF-49	26
NATO GREEN	A.MIG-084	71.093	54	XF-67	117
RAL 6014 GELBOLIV	A.MIG-087	70.877	-	-	-
CRYSTAL GREEN	A.MIG-092	70.936	138	X-25	-
CRYSTAL RED	A.MIG-093	70.934	47	X-27	220
CRYSTAL LIGHT BLUE	A.MIG-187	71.073	61	XF-4	-
STEEL	A.MIG-191	70.864	28	-	27003
BLUISH TITANIUM	A.MIG-193	-	-	-	-
SILVER	A.MIG-195	71.063	8	X-11	11
GHOST GRAY FS 36375	A.MIG-203	70.990	308	-	-
GUNSHIP GRAY	A.MIG-204	71.047	305	XF-77	125
FS 26231	A.MIG-205	71.051	317	-	27
RLM 81 - FS 34079 - BS641	A.MIG-206	70.893	330	-	-
FS 26373 SILVER GREY	A.MIG-212	71.119	332	-	-
FS 33481 ZINC CHROMATE YELLOW	A.MIG-221	71.107	27	XF-4	-
FS36152 DARK GREY AMT-12	A.MIG-235	71.308	32	XF-75	-
FS34092 MEDIUM GREEN	A.MIG-238	71.124	302	XF-26	-
FS 36122 NEUTRAL GRAY	A.MIG-239	71.274	13	-	-
CHROME FOR PLASTIC ALC107	A.MIG-8205	77.707	SM08	X-11	191

For Color Profile, please go to [www.kineticmodel.com](http://www.kineticmodel.com) for download  
(type the kit# and go for manual/painting guide)

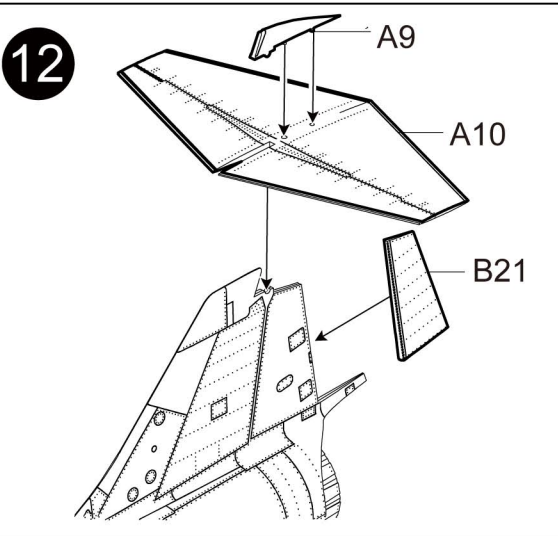




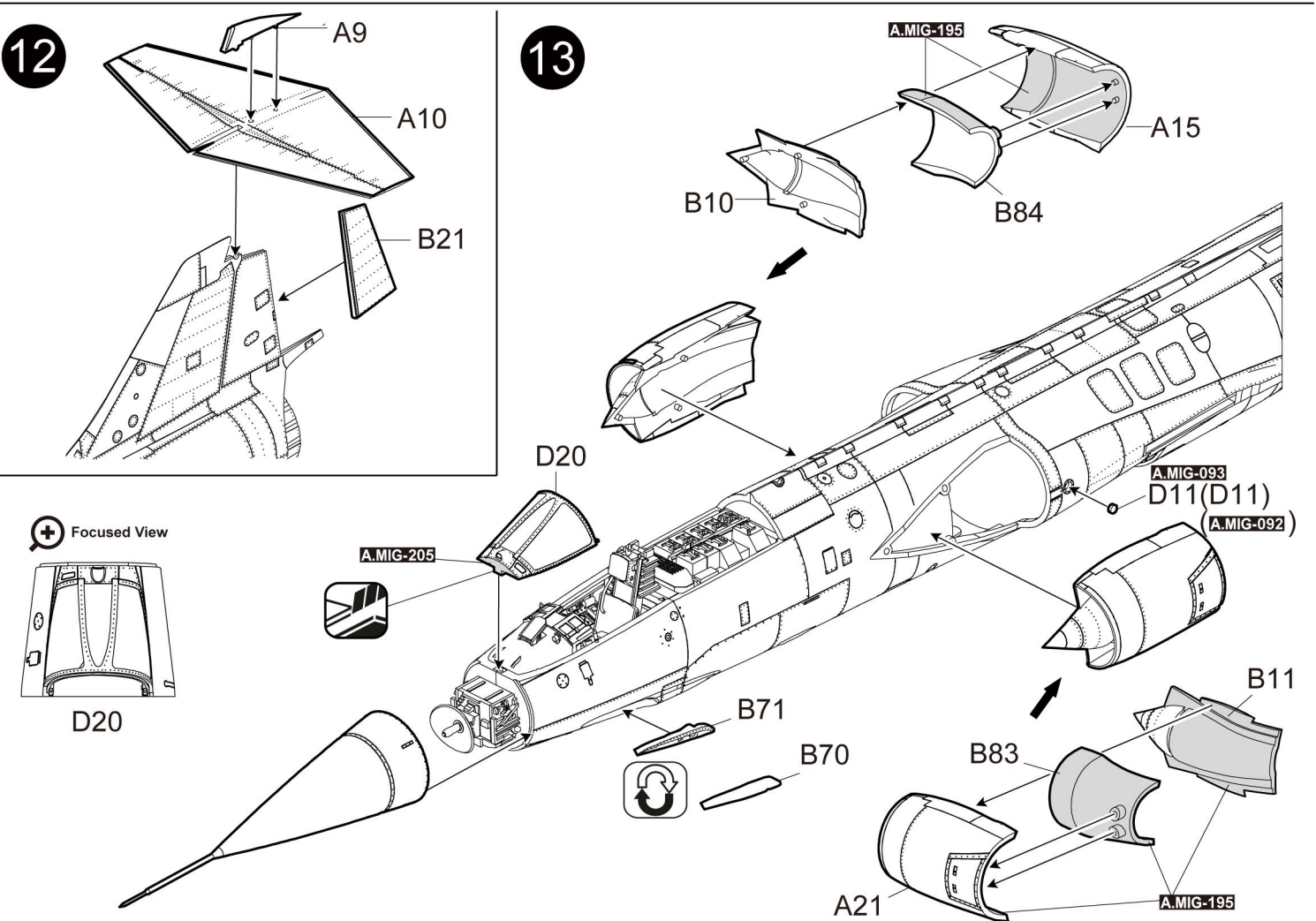
11

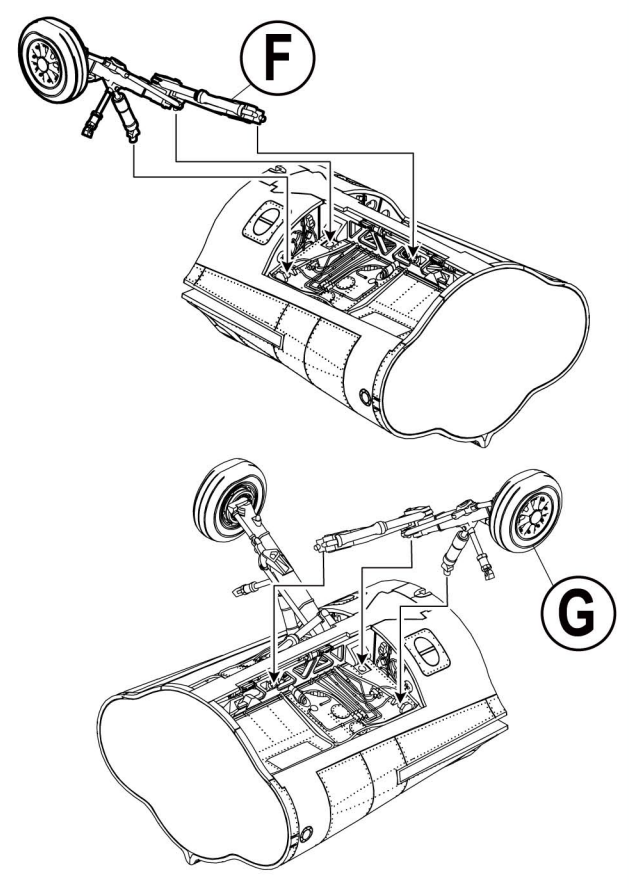
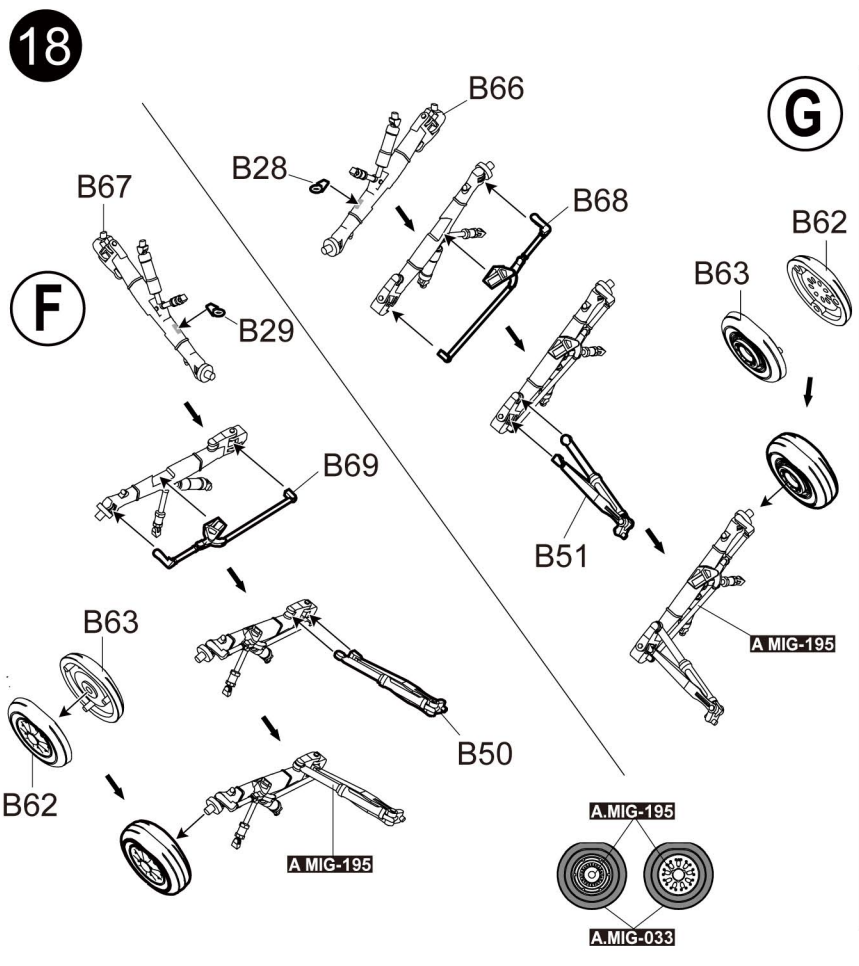
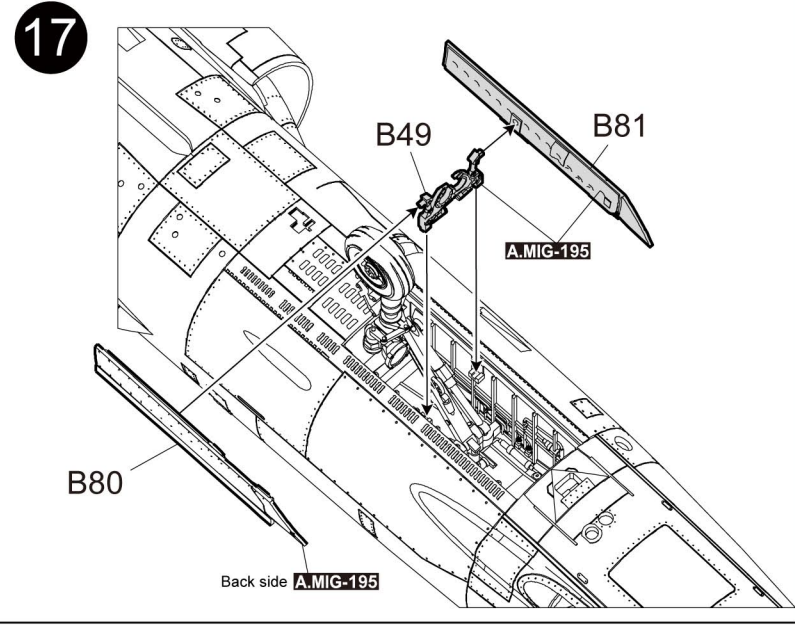
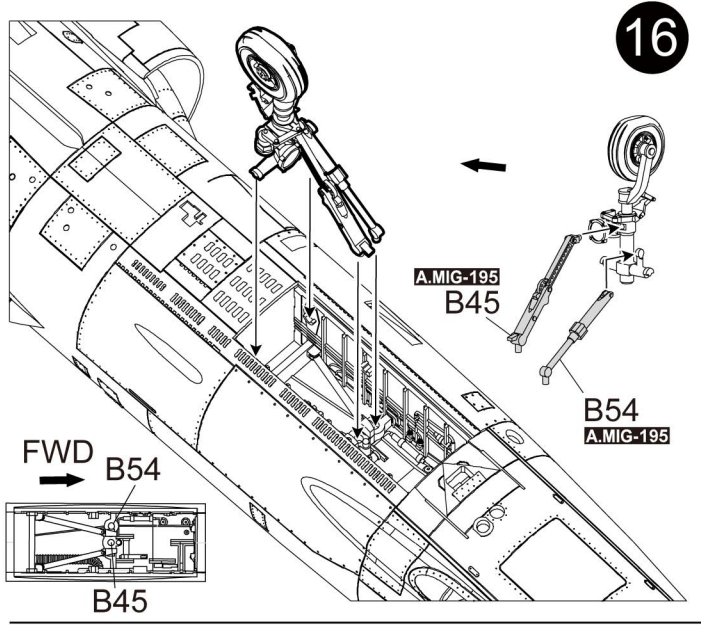
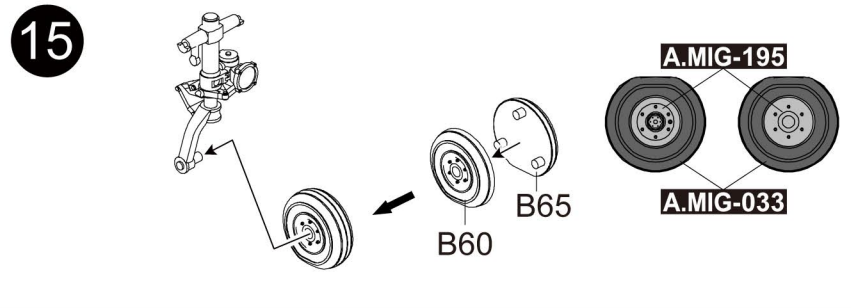
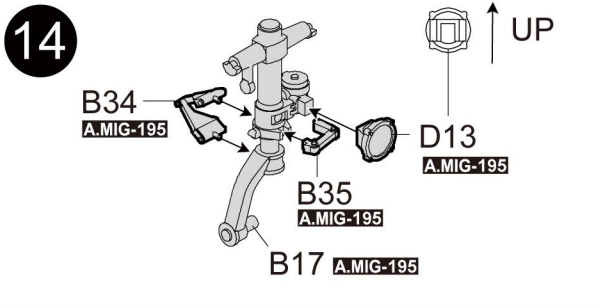


12

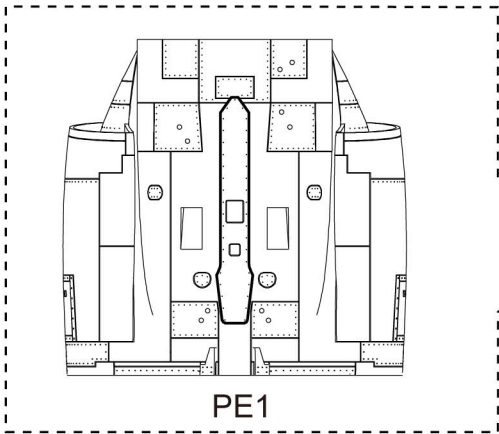
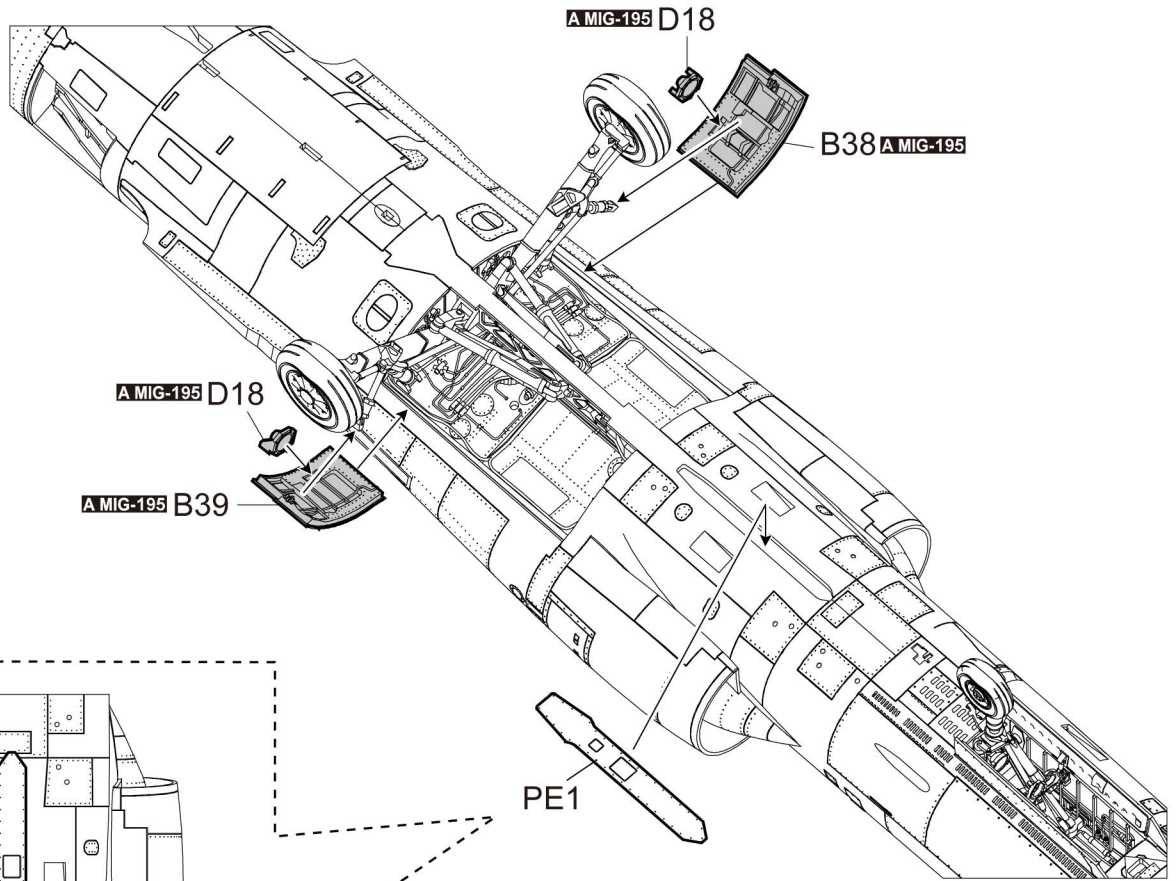


13

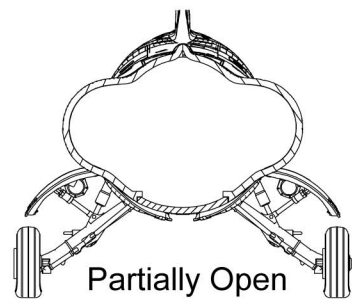
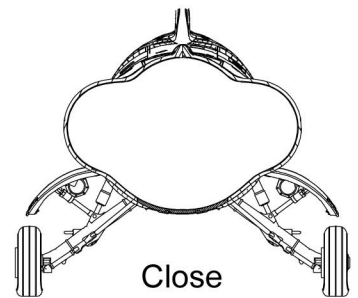
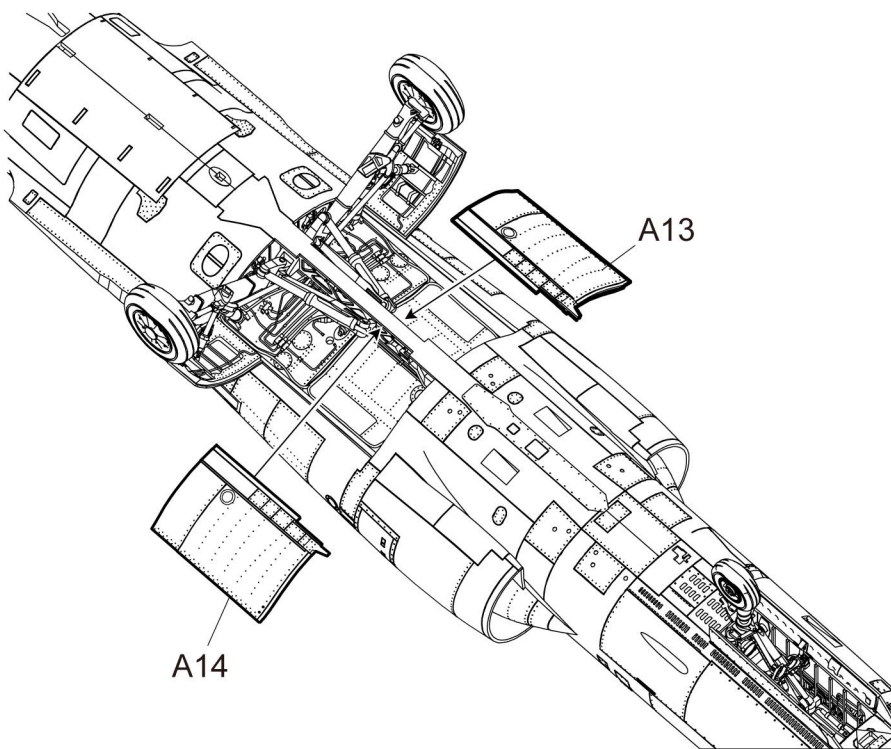




19

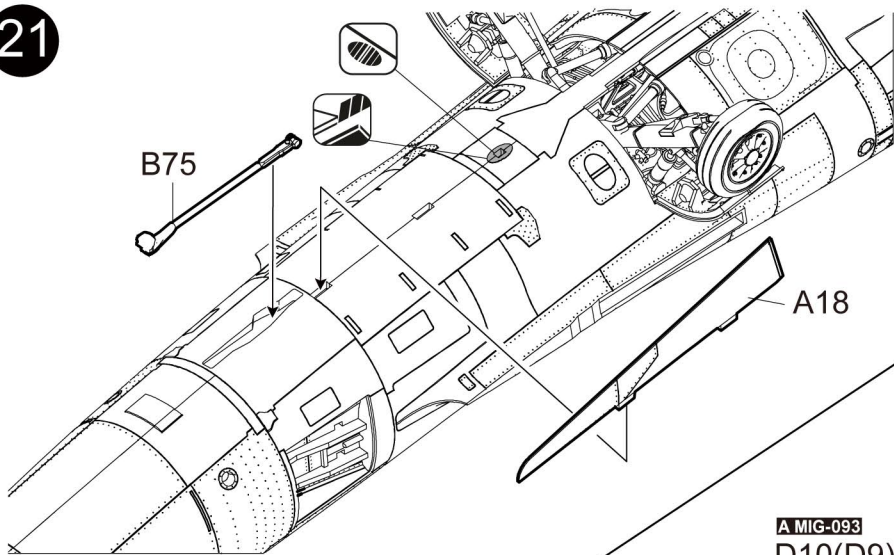


20

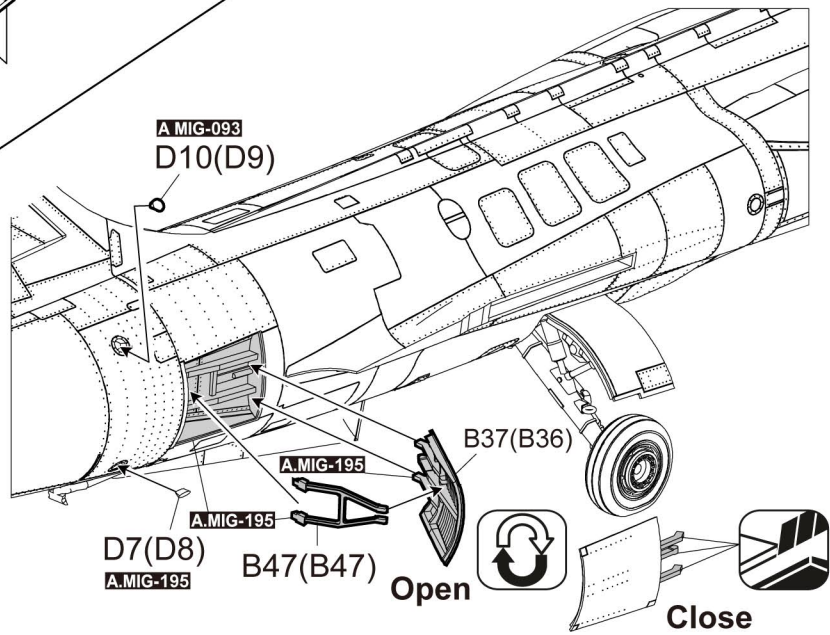




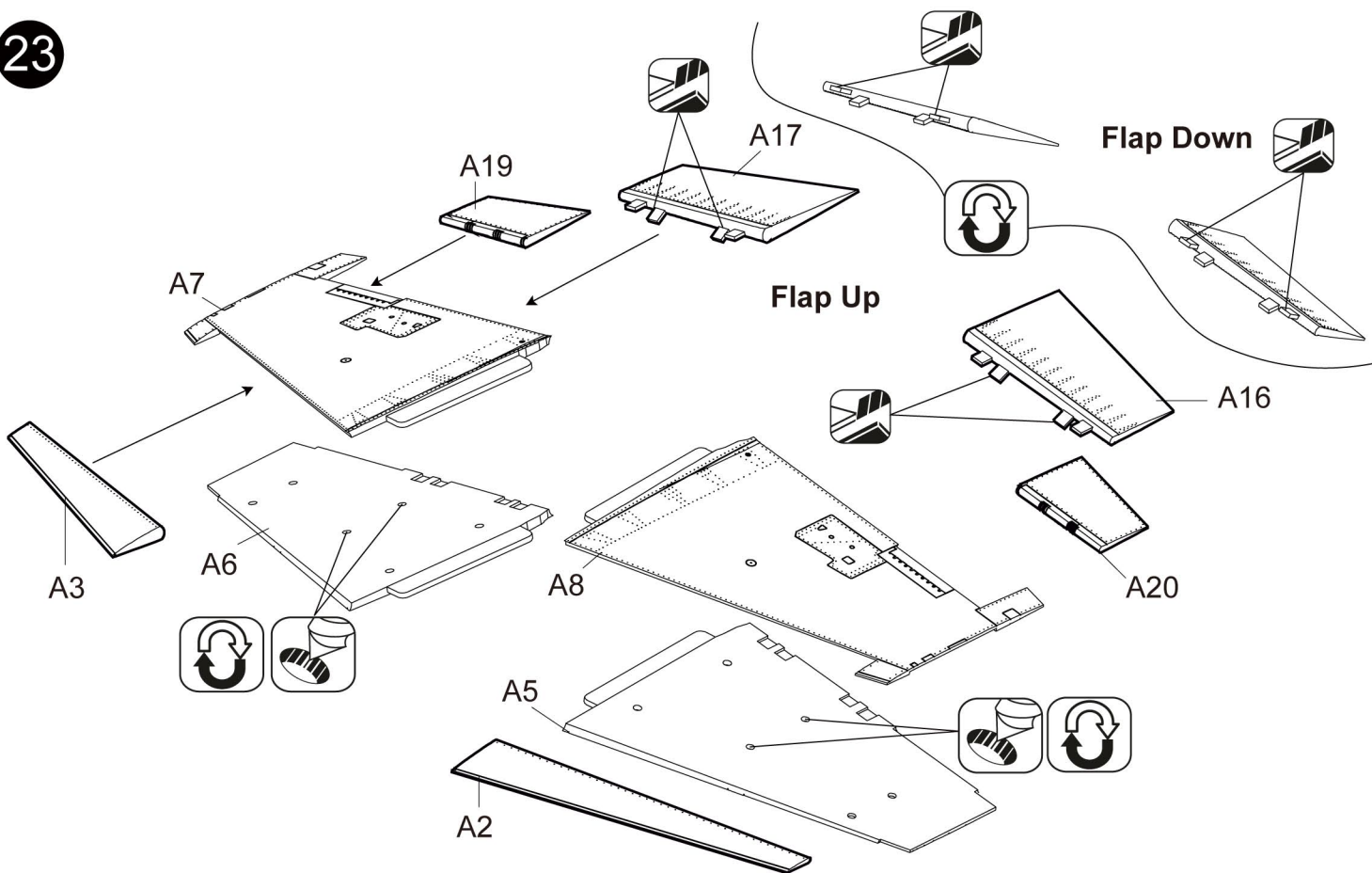
21



22



23

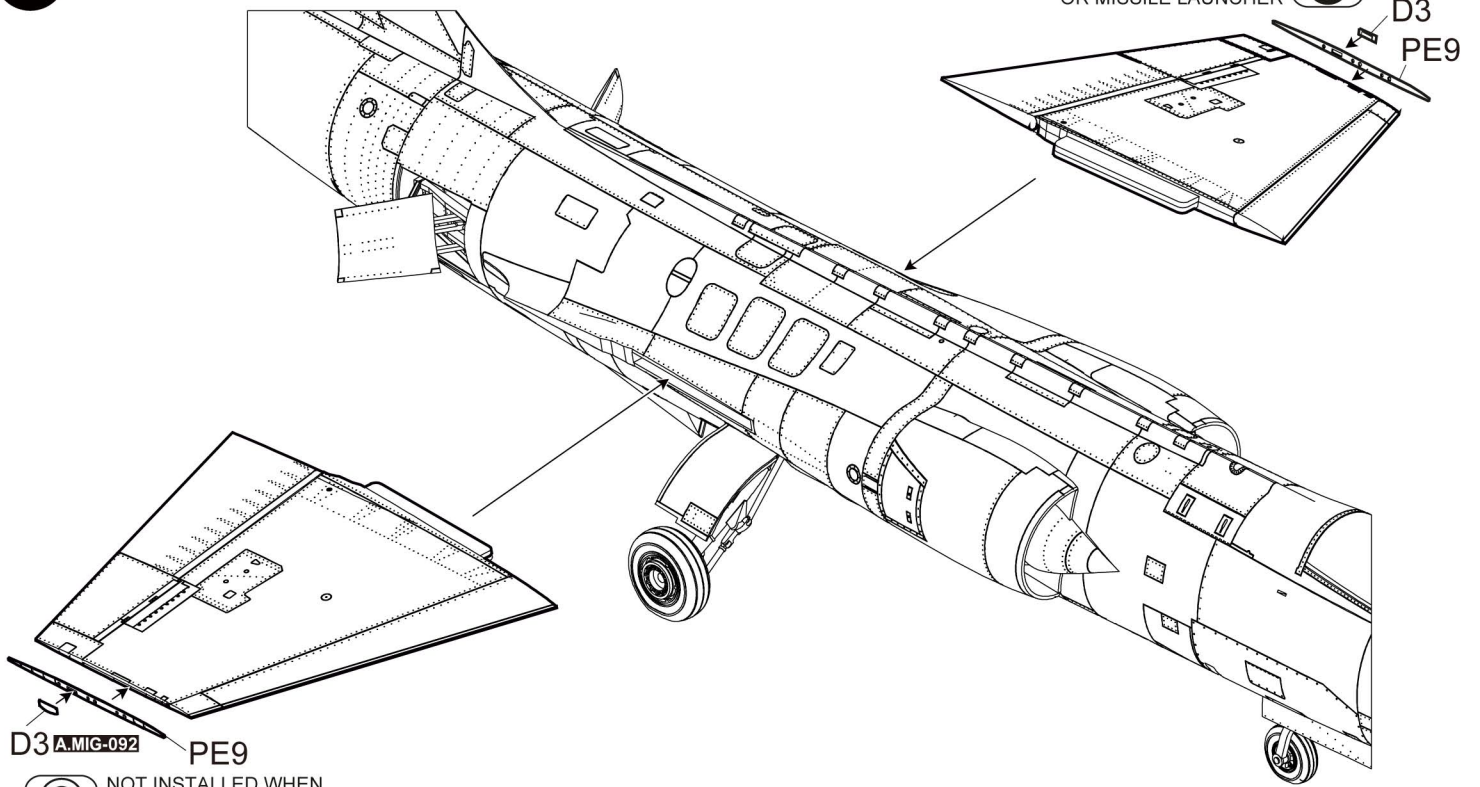


24

NOT INSTALLED WHEN  
SELECTING WINGTIP TANK  
OR MISSILE LAUNCHER



A.MIG-093

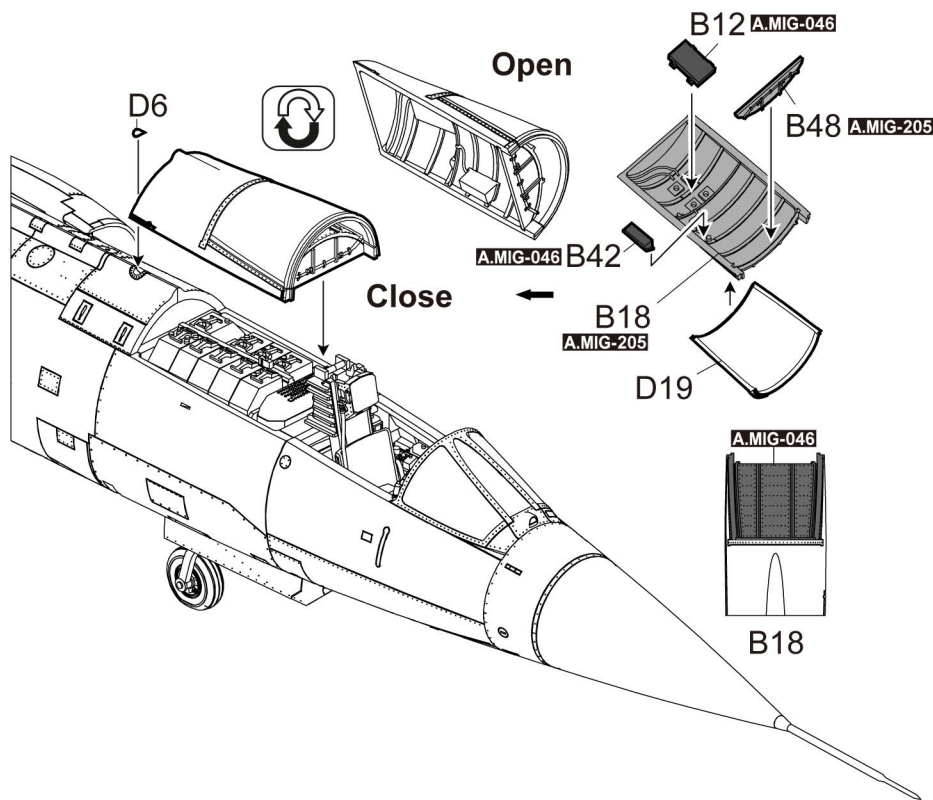


D3 A.MIG-092 PE9



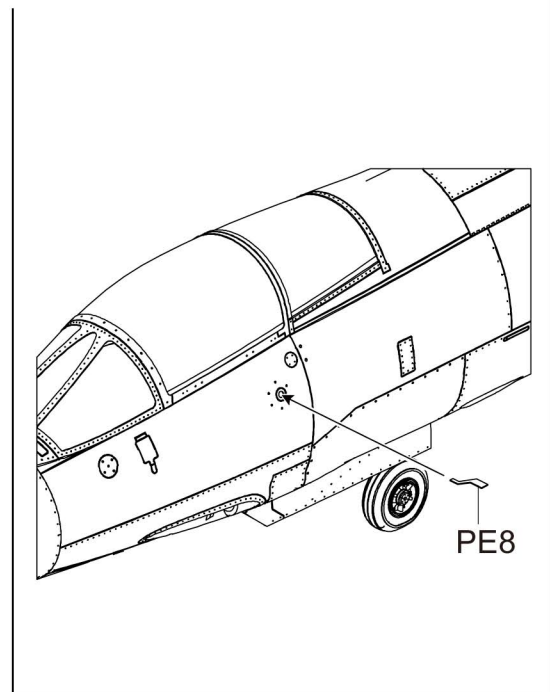
NOT INSTALLED WHEN  
SELECTING WINGTIP TANK  
OR MISSILE LAUNCHER

25



Open

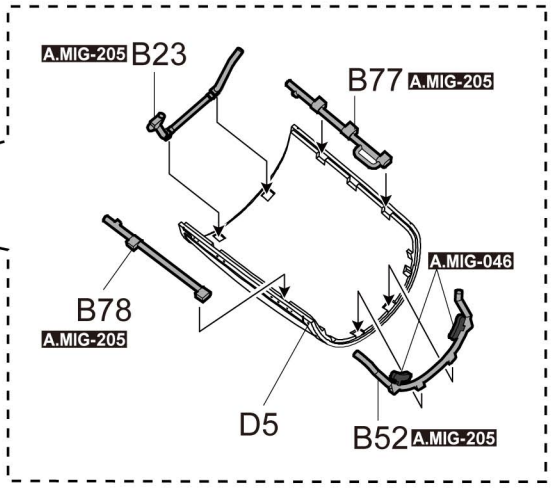
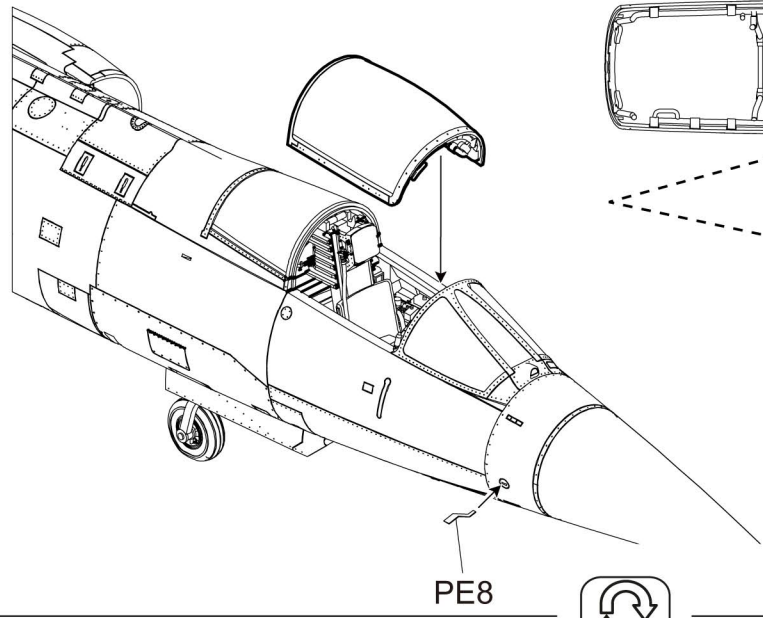
Close



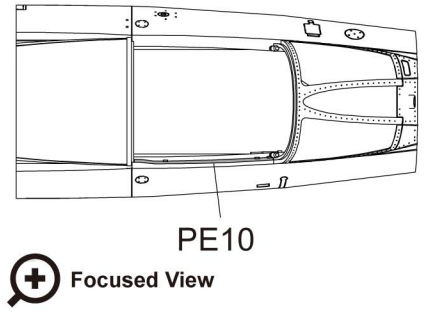
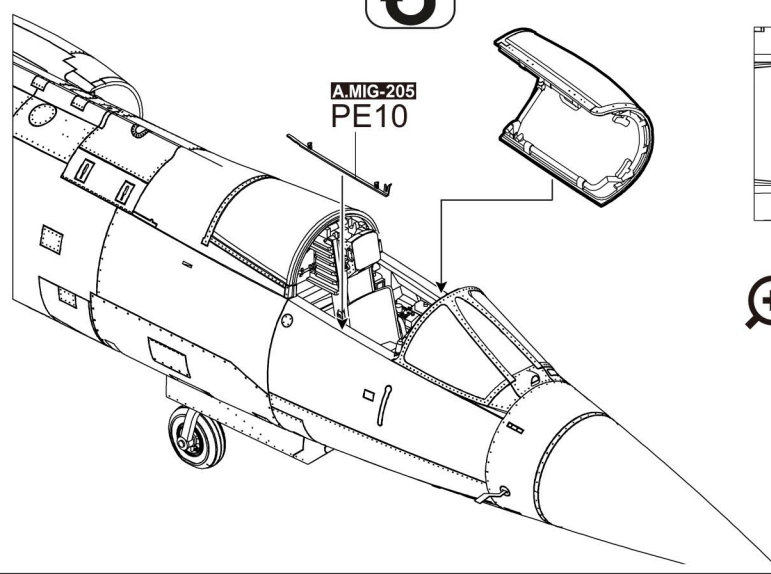
PE8

**26** Canopy Close

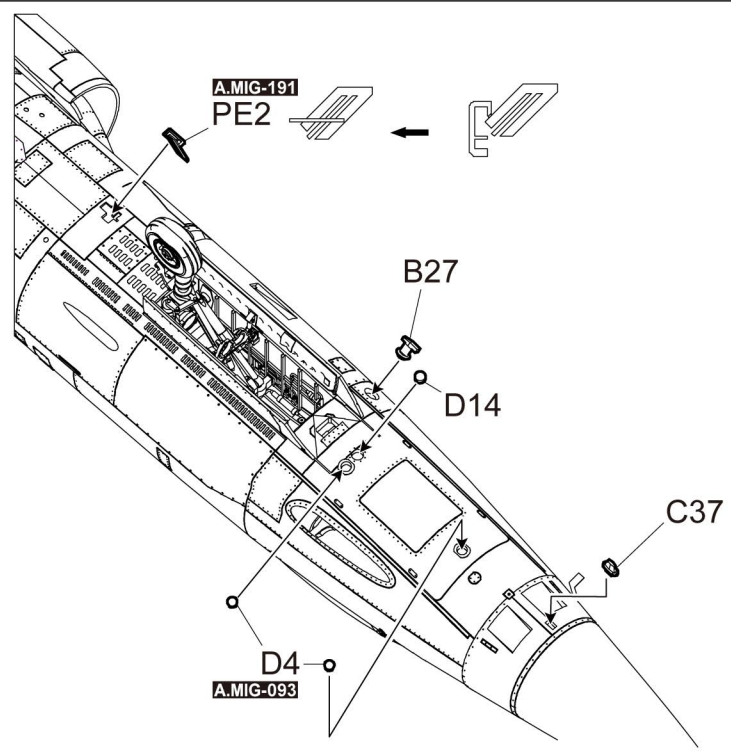
**+** Focused View



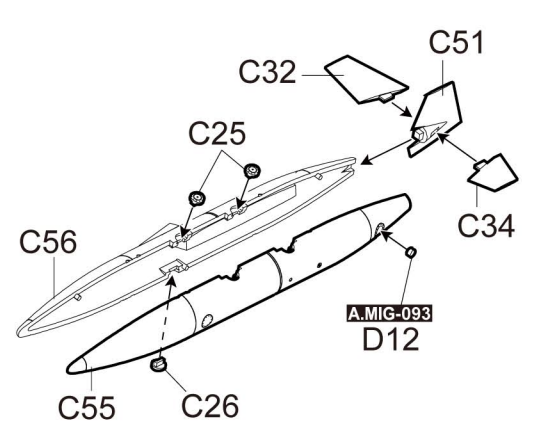
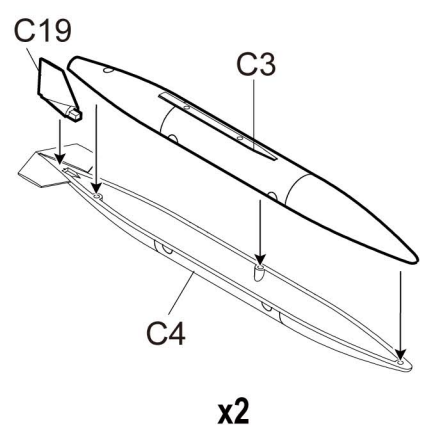
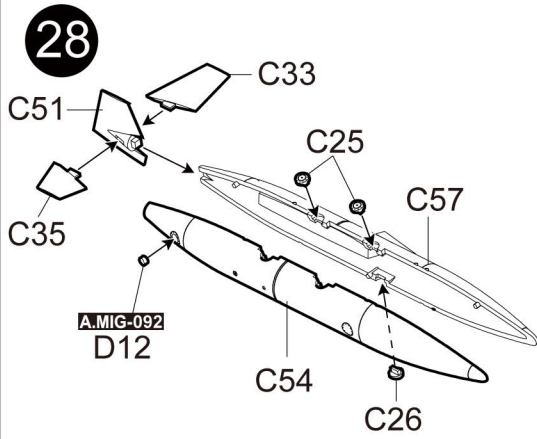
Canopy Open



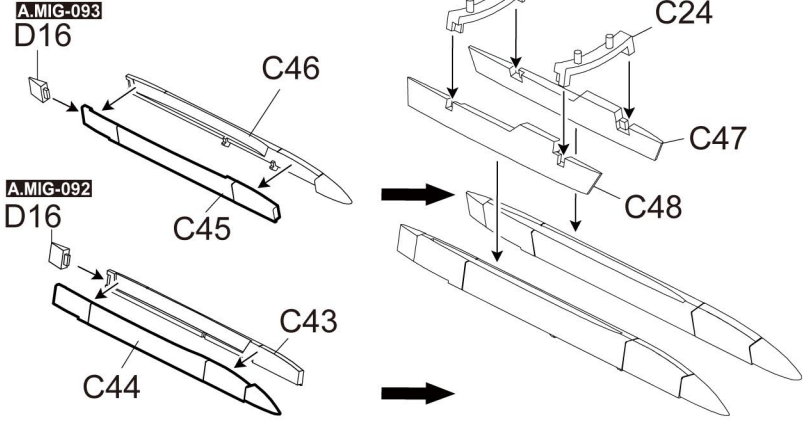
**27**



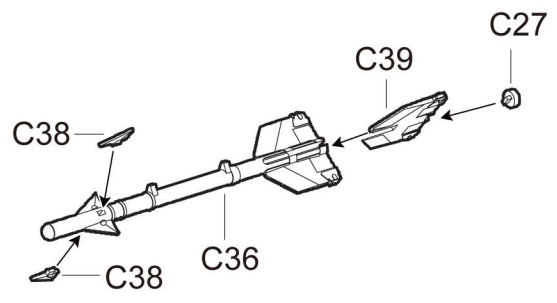
28



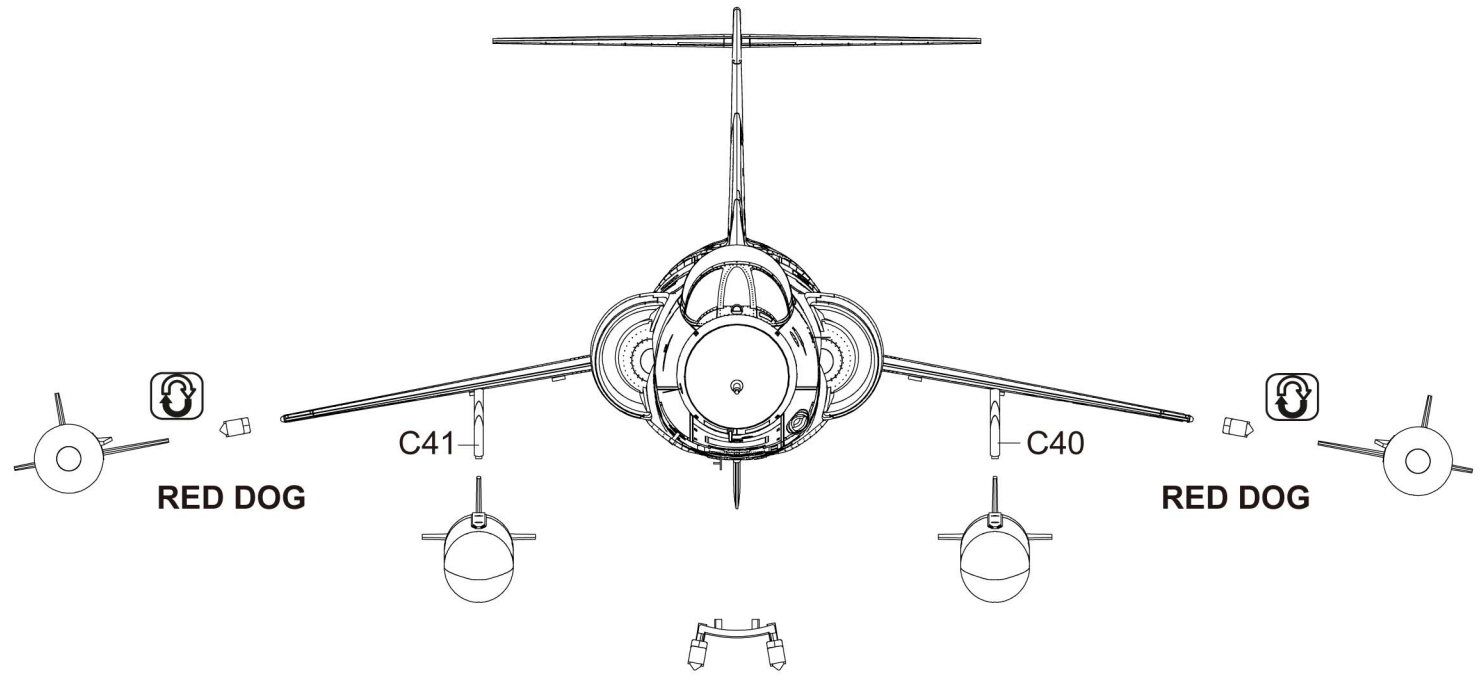
RED DOG x2



AIM-9B



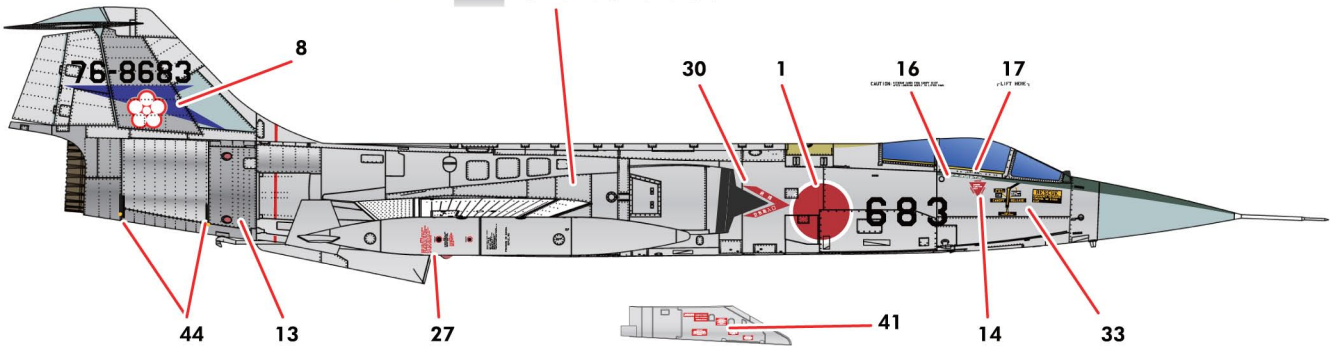
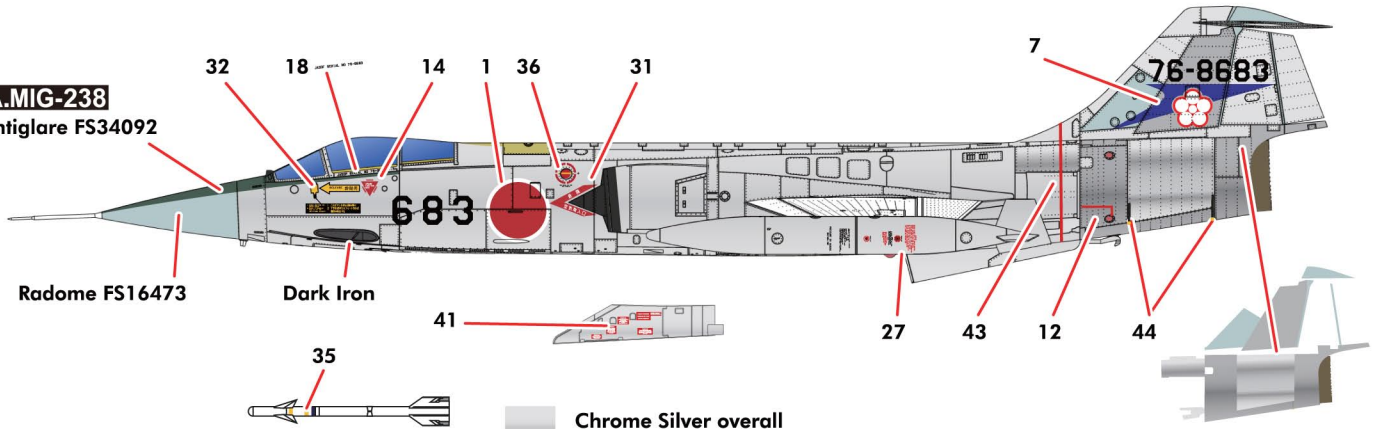
29



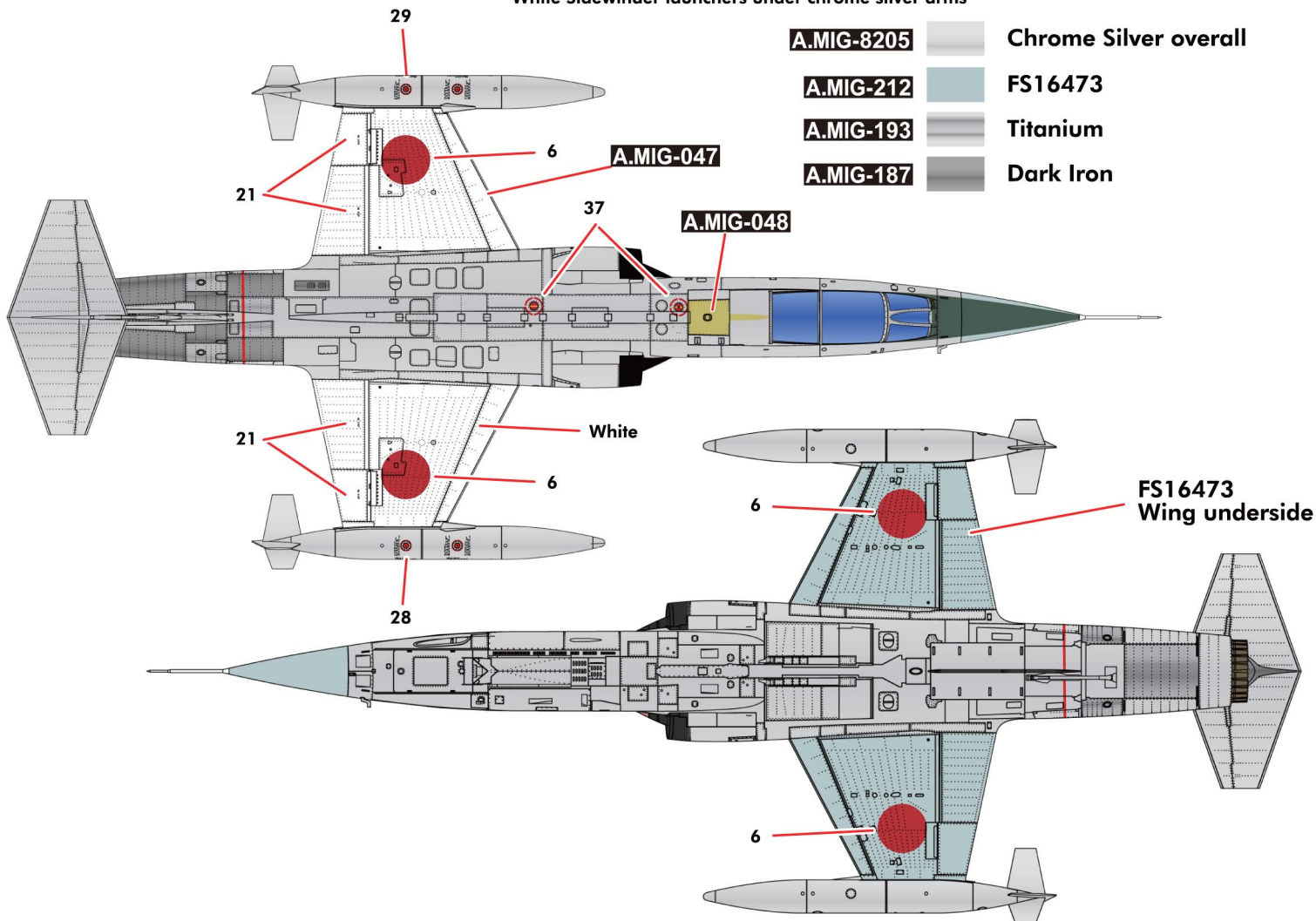
**1/48 SCALE AIRCRAFT SERIES NO.K48080**

**1. F-104J, 206th Tactical Fighter Squadron, 7th Air Wing, Japan Air Self-Defence Force, Hyakuri Air Base, Ibaraki Prefecture, Japan, Mid 1970s.**

**A.MIG-238**  
Antiglare FS34092



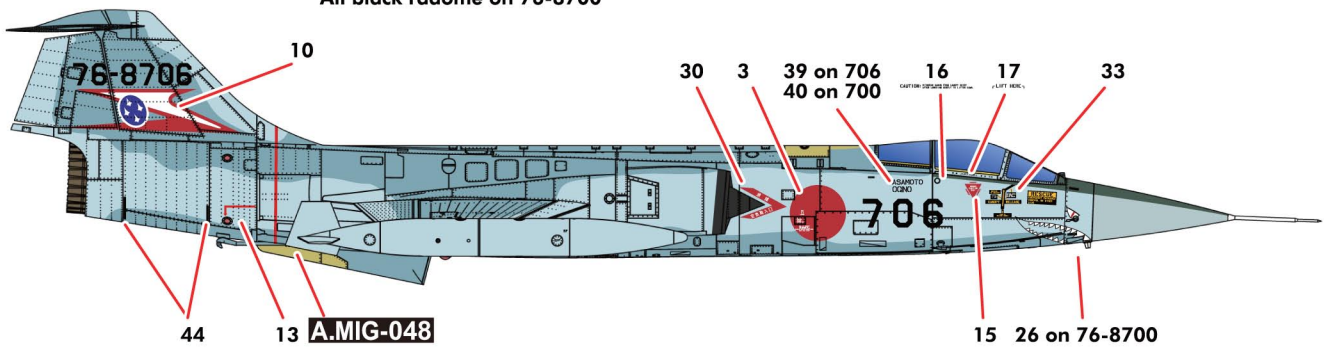
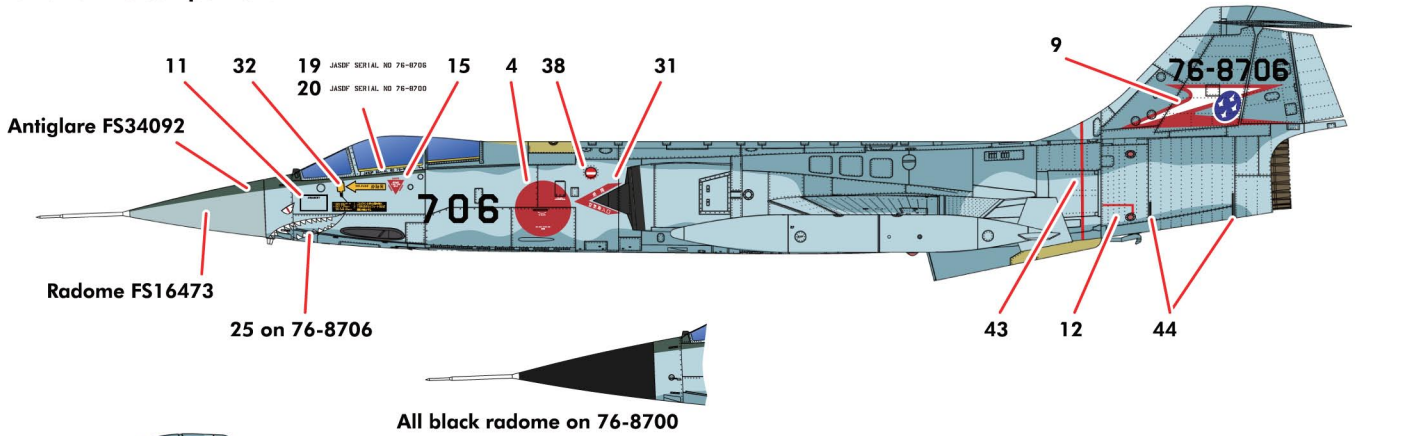
White Sidewinder launchers under chrome silver arms



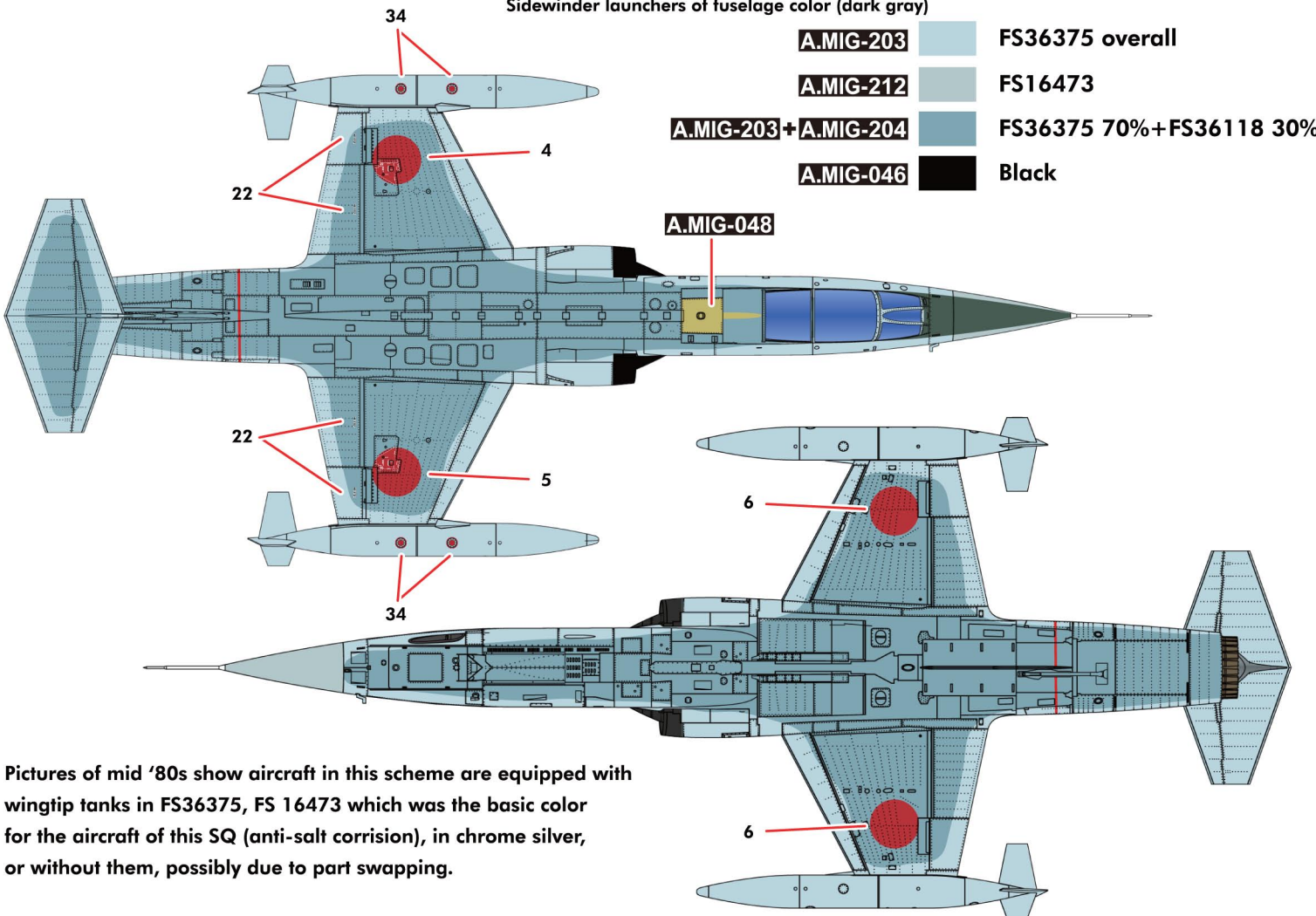
- A.MIG-8205** Chrome Silver overall
- A.MIG-212** FS16473
- A.MIG-193** Titanium
- A.MIG-187** Dark Iron

**1/48 SCALE AIRCRAFT SERIES NO.K48080**

2. F-104J, 207th Tactical Fighter Squadron, 83rd Air Group, Japan Air Self-Defence Force, special scheme for Combat Competition '84 held at Komatsu Air Base, Ishikawa Prefecture, Japan, Nov, 1984. Several aircraft kept this scheme and flew their normal mission from their homebase, Naha AB, Okinawa Prefecture even after the competition.



Sidewinder launchers of fuselage color (dark gray)



Pictures of mid '80s show aircraft in this scheme are equipped with wingtip tanks in FS36375, FS 16473 which was the basic color for the aircraft of this SQ (anti-salt corrosion), in chrome silver, or without them, possibly due to part swapping.