

F6F-3N Hellcat Night Fighter

F6F-3N 地狱猫夜间战斗机

1:32 SCALE

READ BEFORE ASSEMBLY:

- This kit is not recommended for inexperienced modelers or for children under 14 years of age
- Study and understand these instructions thoroughly before beginning assembly
- When needed, remove photo-etch parts carefully using a modeling knife or photo etch sprue cutter, being careful not to damage or lose small parts.
- Take extra care in handling photo etch parts in order to avoid injury
- Apply instant cement sparingly to photo etch parts where instructed

水贴纸的使用:

1. 从水贴纸上剪下印花;
2. 将印花放入温水中浸10秒, 然后放在干净布上;
3. 拿着印花纸板将印花移到模型上;
4. 手指蘸水将印花移到适当的位置;
5. 用软布轻压印花直至水干, 汽泡消失。

- Tools recommended(not included in kit):Plastic and instant cements,sprue cutters,long nose pliers,modeling knife, small files, tweezers, pin vise & scissors. Soft cloth and sandpaper will also assist in construction
- Glue and paint are not included in the kit. Use plastic cement and hobby paints only. Color guide for purchasing paint is included in the kit.
- Keep out of reach of children. They must not be allowed to ingest small parts or handle plastic bags in any way.

装配之前仔细阅读

- 小心用模型锉刀锉平所有零件表面的注射浇口。
- 小心用刀片切下蚀刻片零件, 不要遗失小零件。
- 用强力快干胶水粘合蚀刻片零件和金属轴。过量的快干胶水使用可能导致可动零件会粘住, 小心涂胶。
- 取蚀刻片时应特别注意安全, 防止利边划伤手指。
- 某些零件表面需贴水上贴纸, 请选择在装配的同时进行。
- 推荐模型工具(自备): 胶水, 水口剪刀, 长阻钳, 刀片, 锉刀, 镊子钳, 钻, 剪刀, 瞬间快干胶。
- 软布同砂纸同时也应该是必备工具。
- 请使用塑料胶水和油漆, 模型内不含。
- 谨防小孩吮吮塑料零件, 或者将塑料袋套在头上, 制作时应将套材远离小孩接触。
- 本产品不适合14岁以下没有经验的模型爱好者。

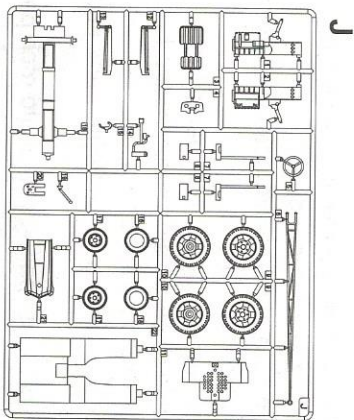
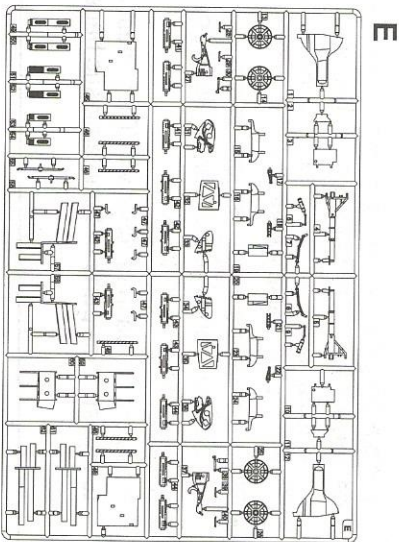
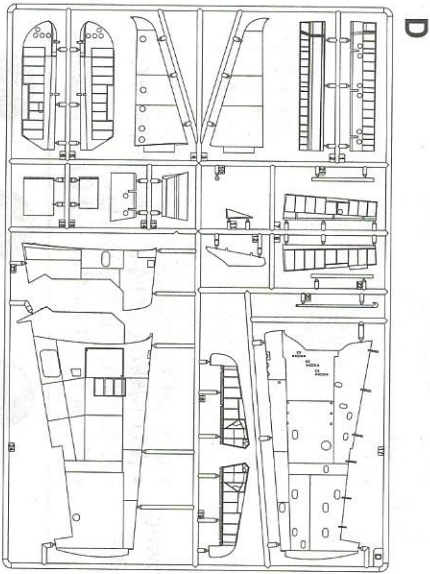
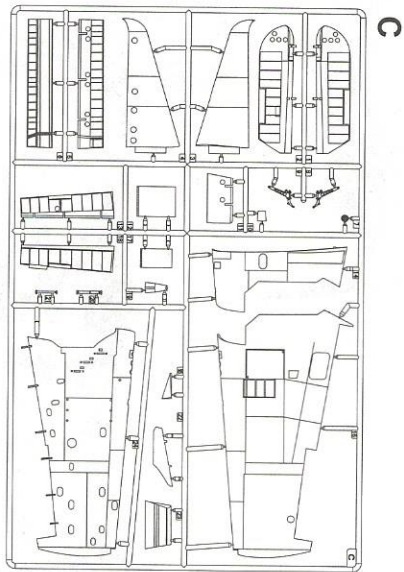
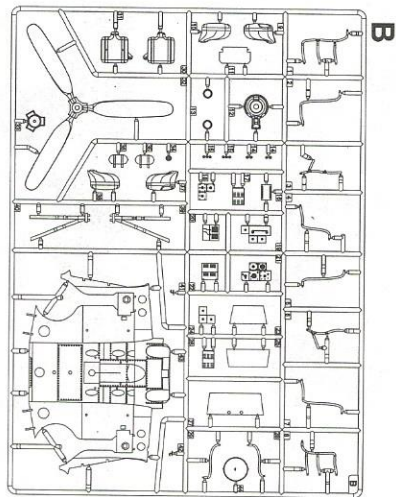
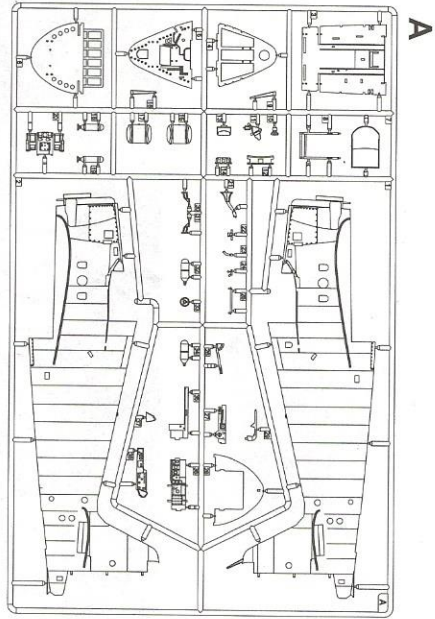
DECAL APPLICATION:

1. Cut decals from sheet as needed
2. Dip the decal in warm water for about 10 seconds and then place on soft clean cloth.
3. Hold the decal backing sheet edge and gently slide the decal onto the model in its proper position.

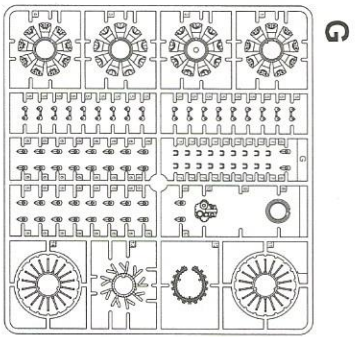
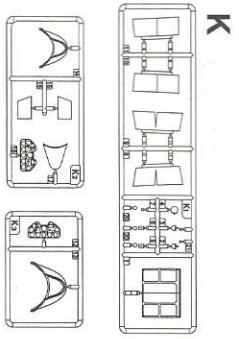
4. While still wet, decal can be adjusted for better fit on model by dampening it gently with your finger.
5. When placed in the proper position, gently press decal down with a soft cloth until excess water and air bubbles are gone.
6. Allow decal to dry completely before handling model



部品图
Parts



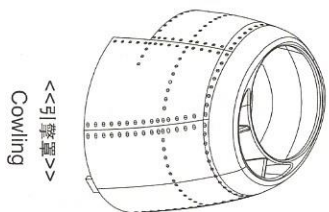
部品图 Parts



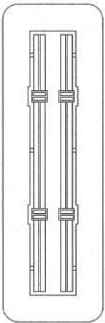
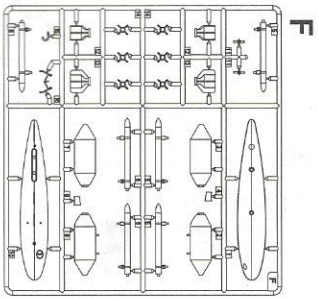
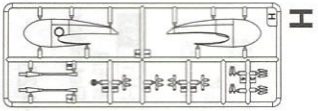
<<主轮胎>>×2
Main tyre



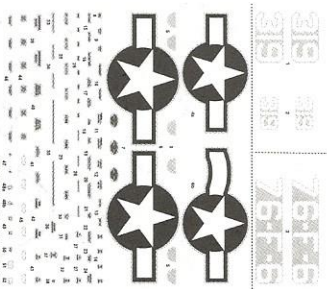
<<尾轮胎>>
Tail tyre



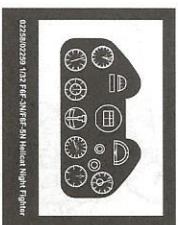
<<引擎罩>>
Cowling



蚀刻片
Photo etched parts(PE)

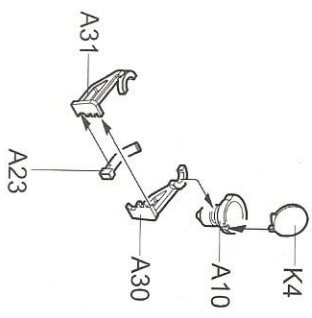


<<水贴>>
Decal

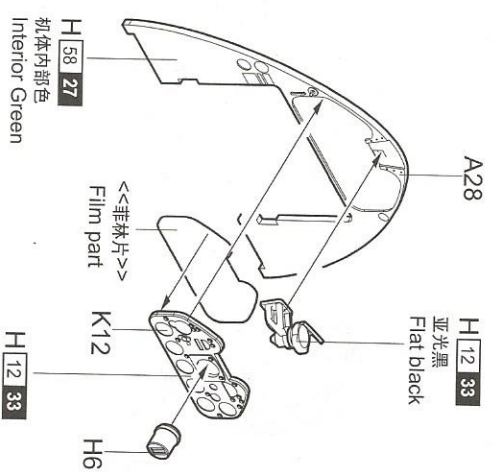


<<菲林片>>
Film part

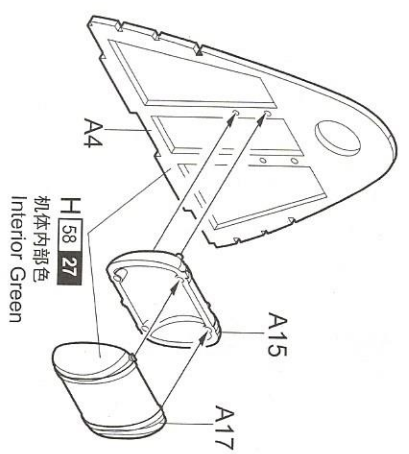
不用的部件: A9 D10 K13 K18
Unused part



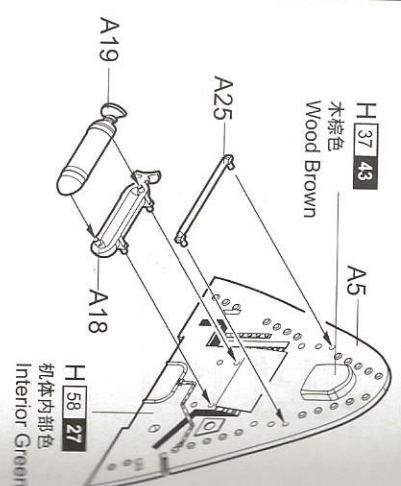
1



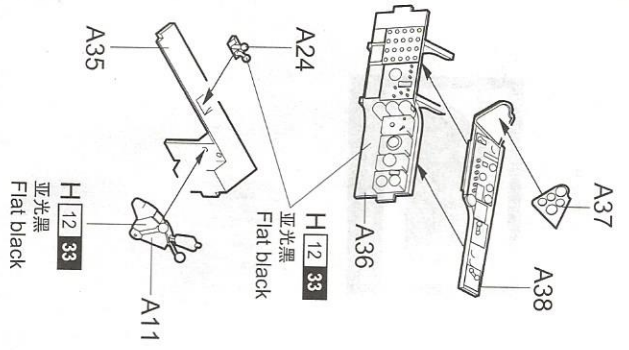
2



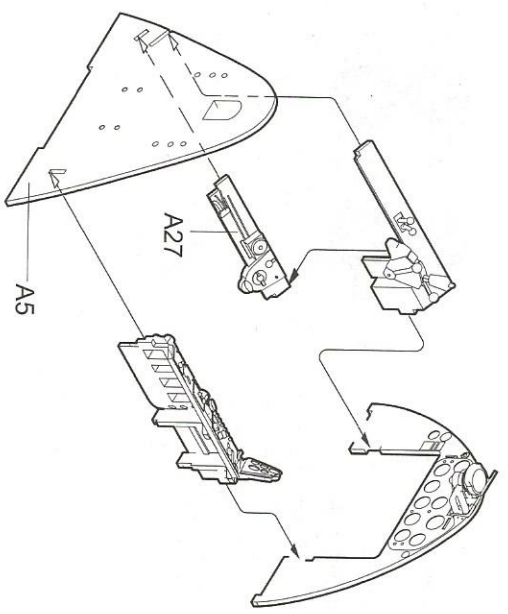
3



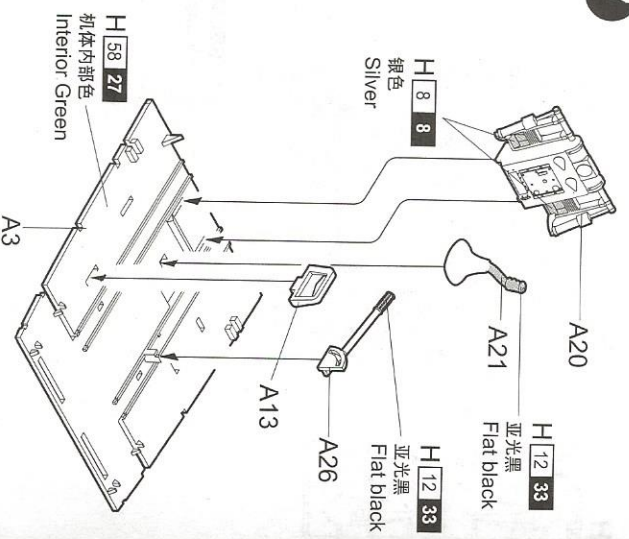
4



5

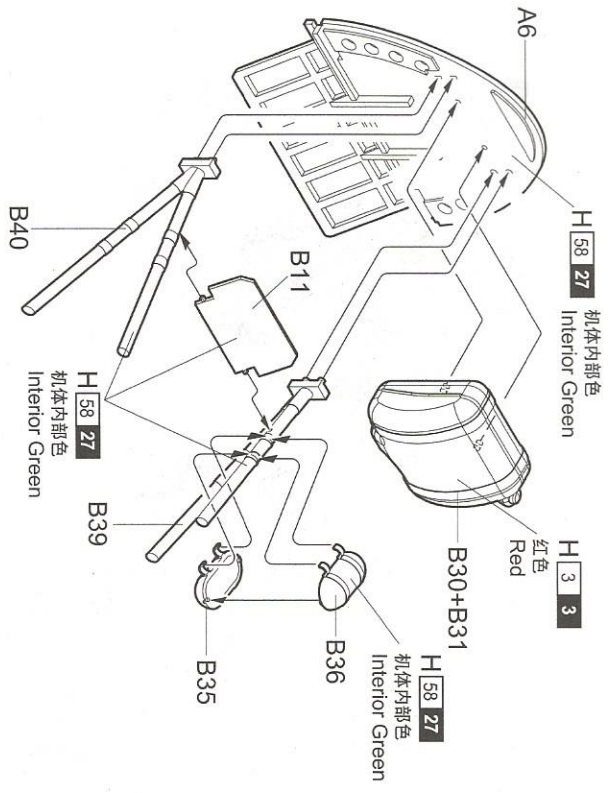


6

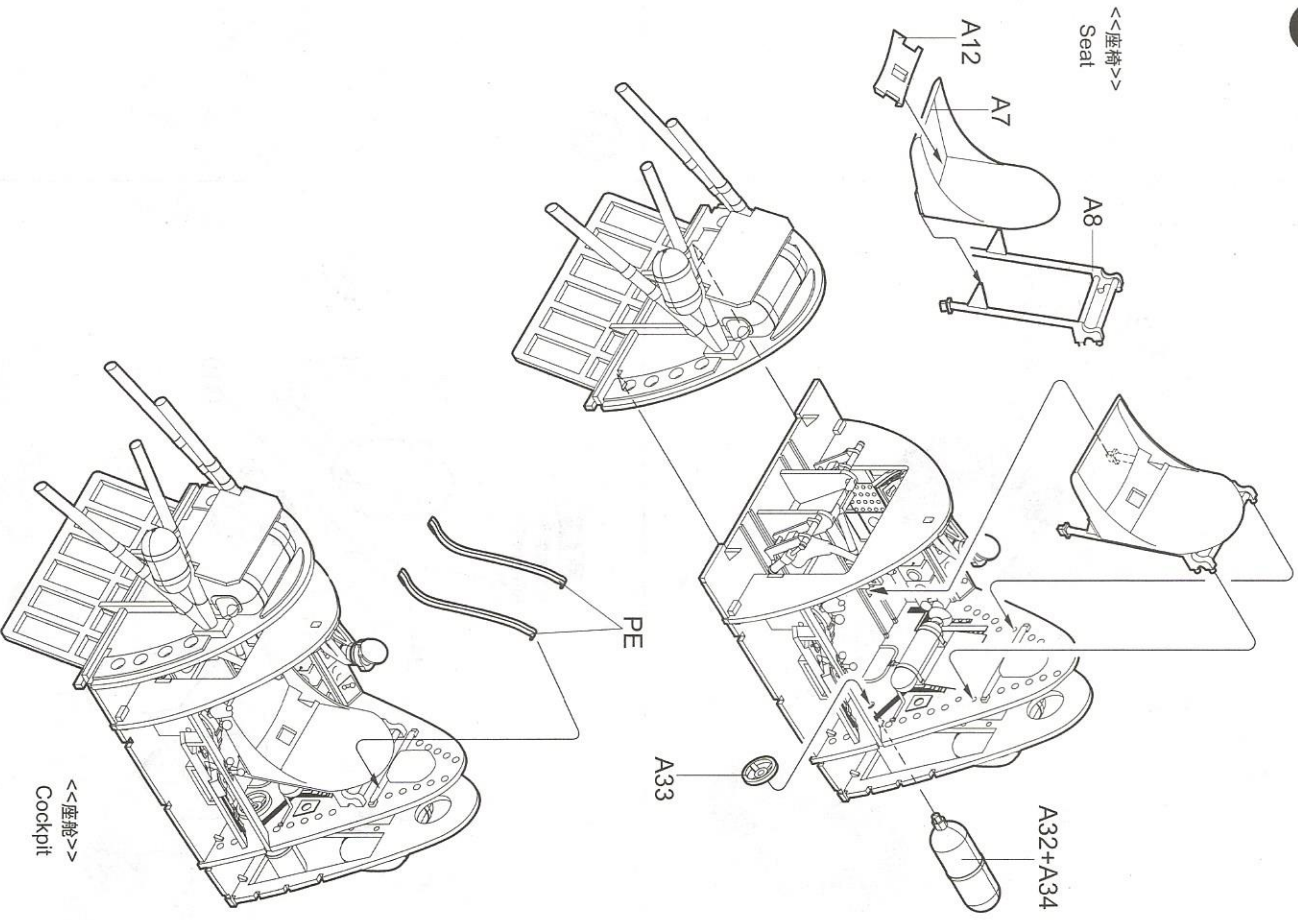


7

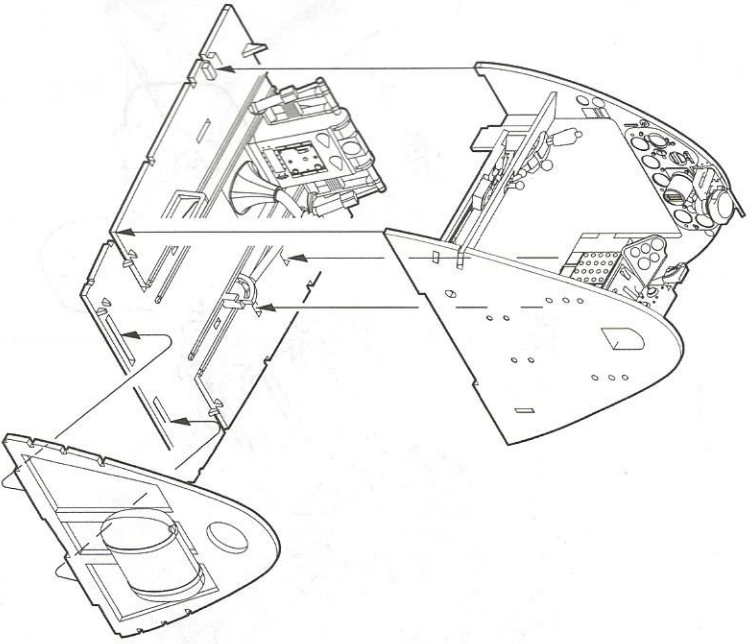
8



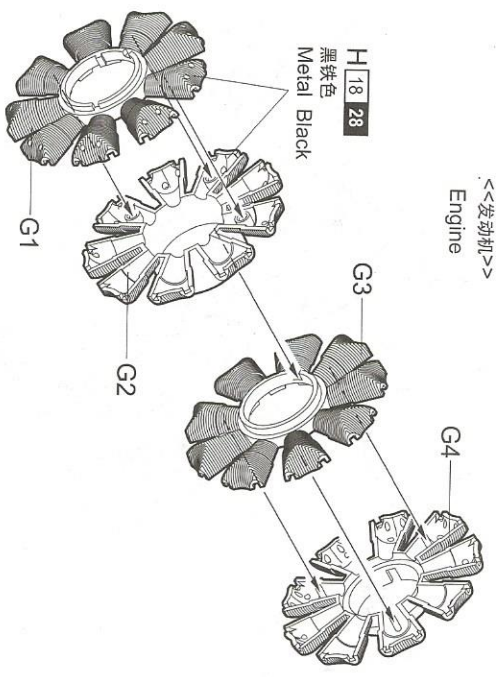
10



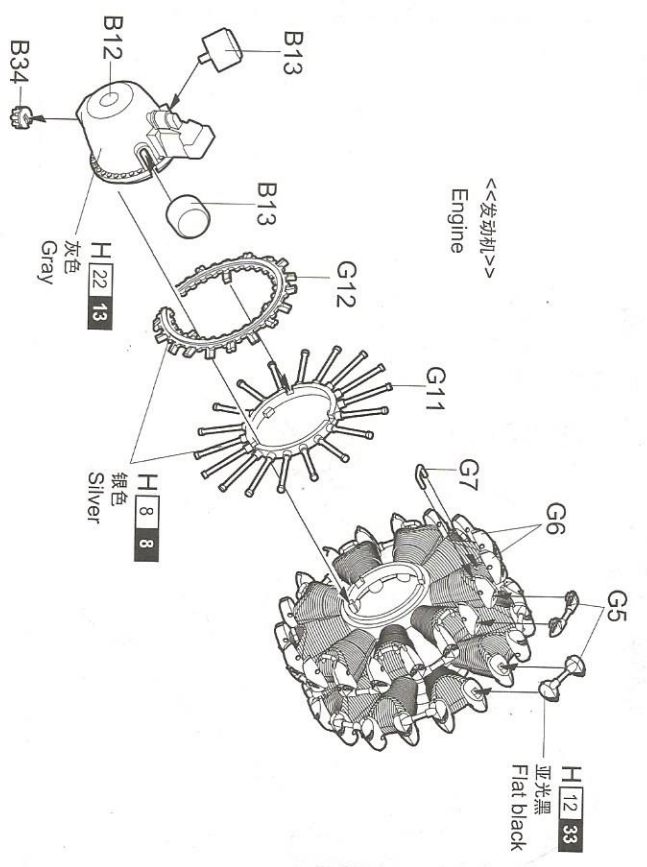
9



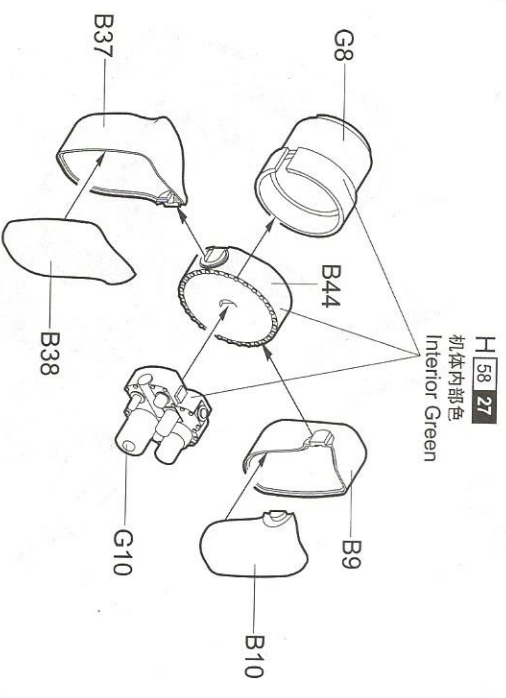
11



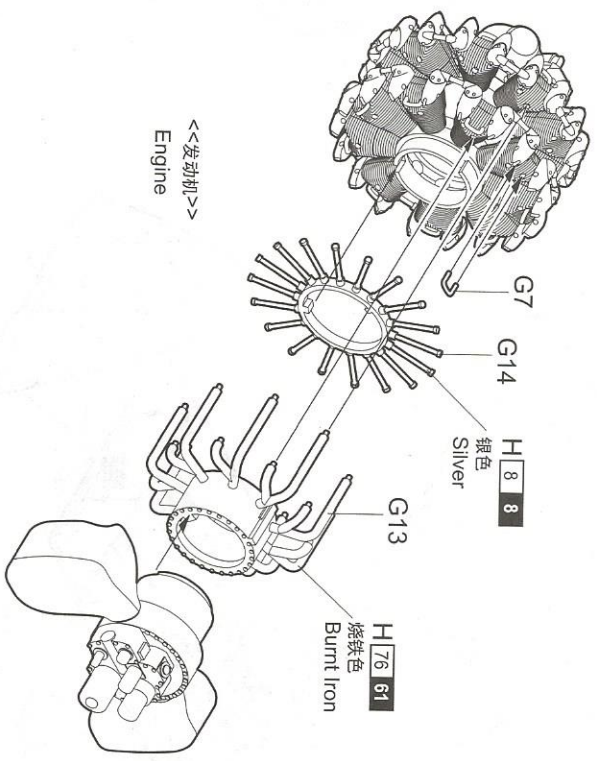
12

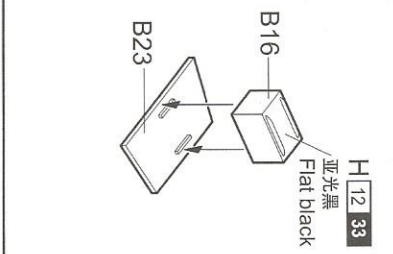
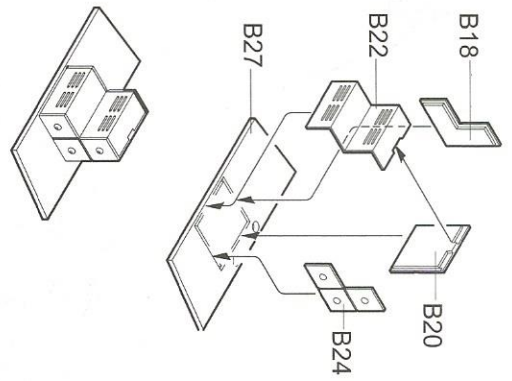
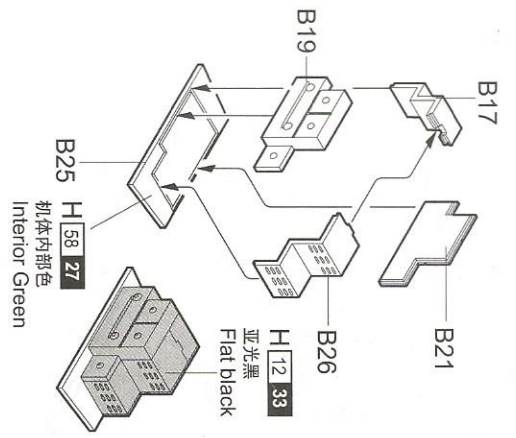


13



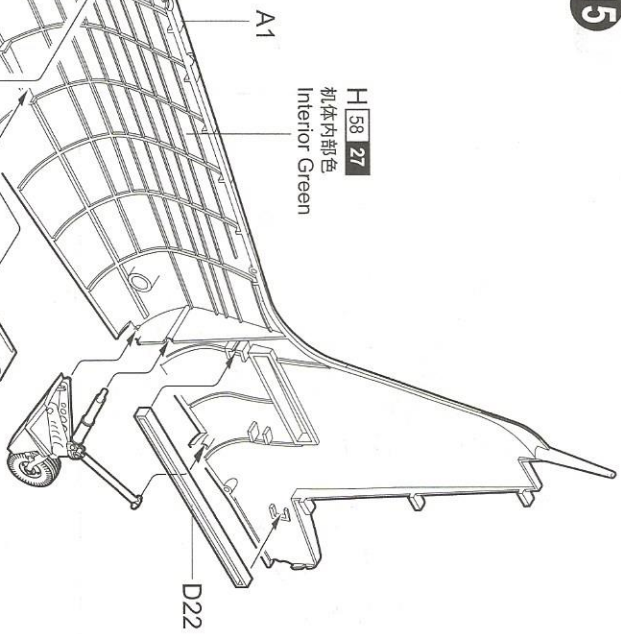
14



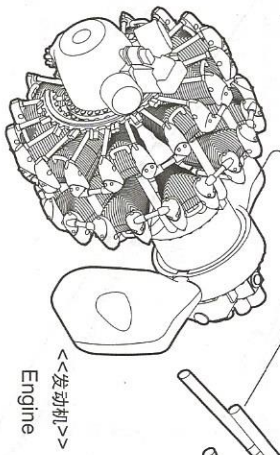


15

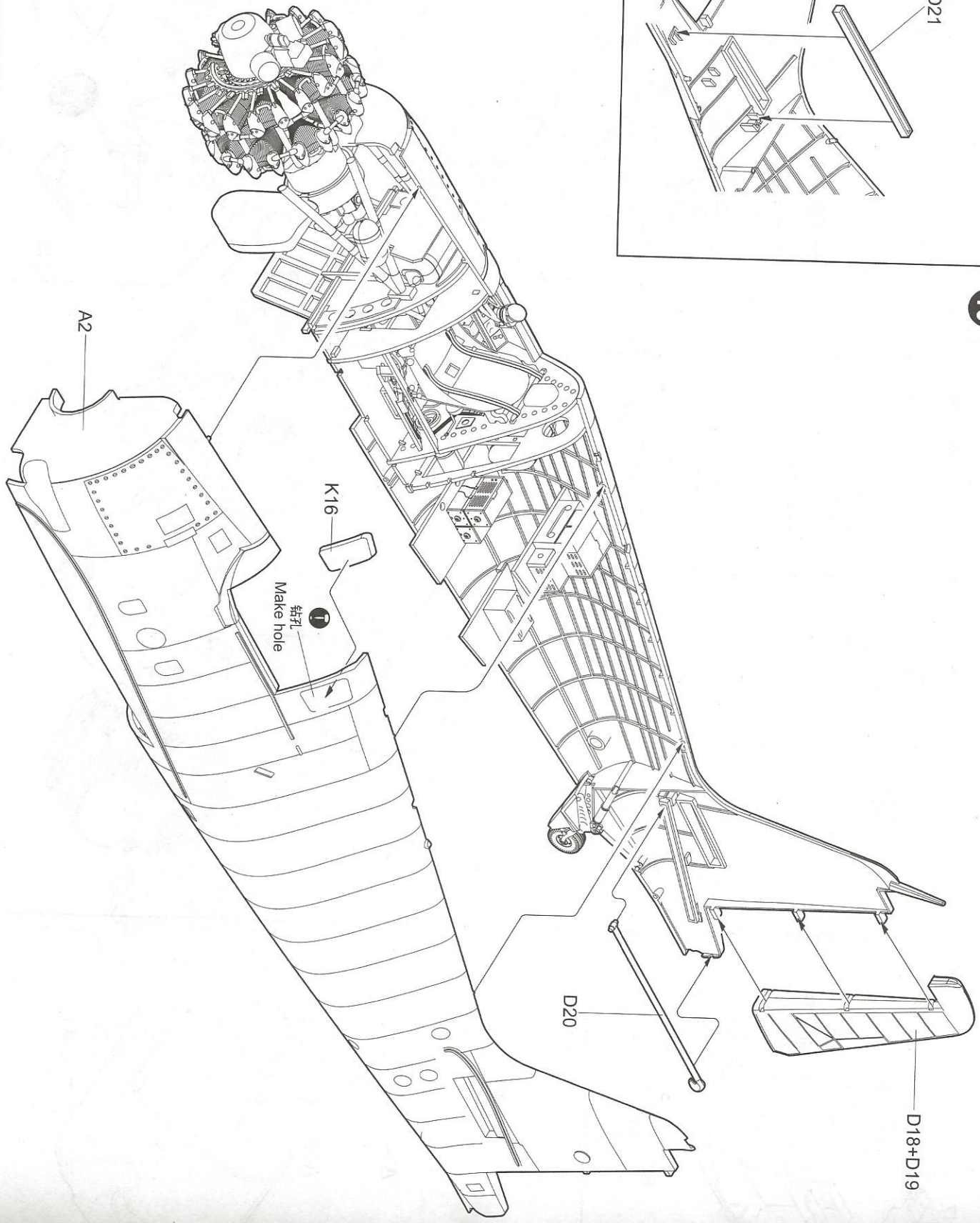
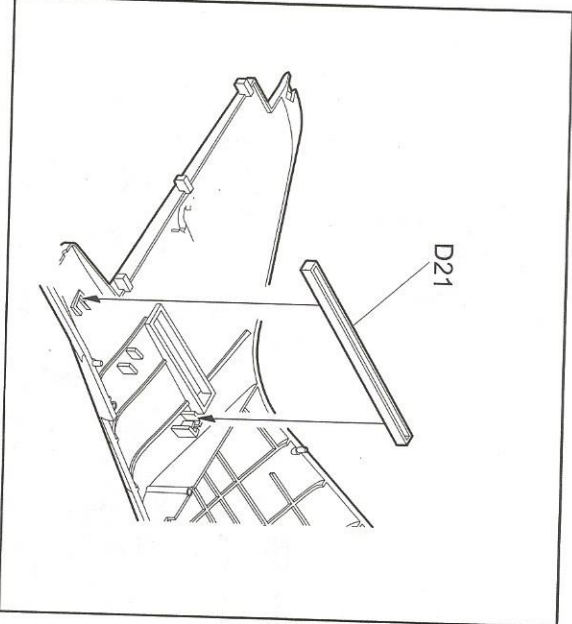
A1
H 58 27
机体内部色
Interior Green



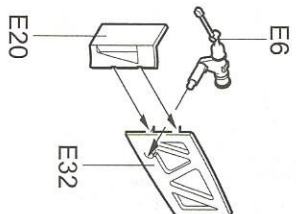
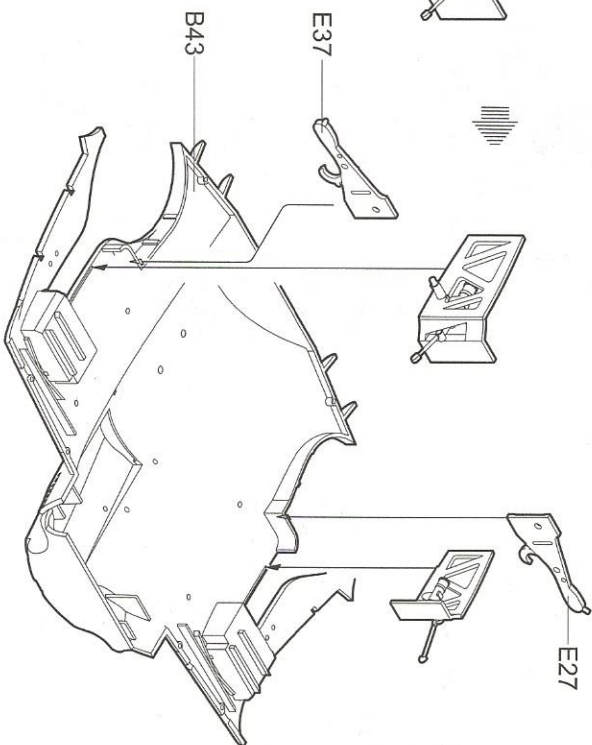
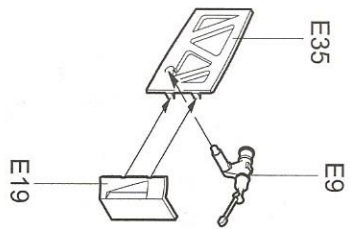
H 12 33
亚光黑
Flat black
A14
A22
K15
Make hole
钻孔



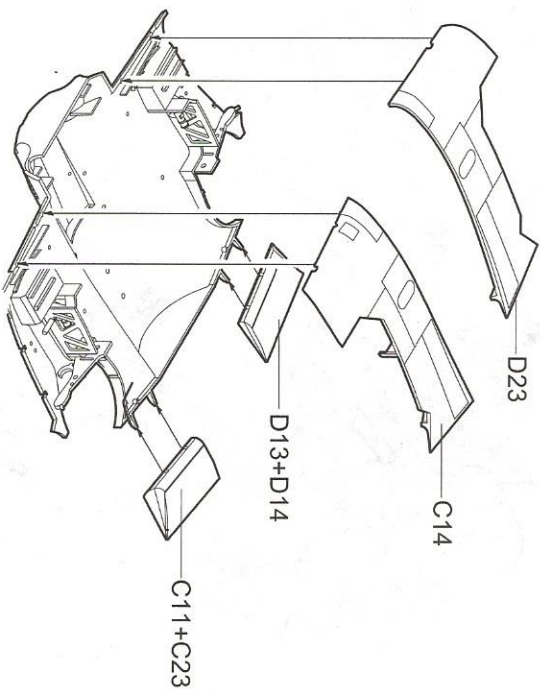
C7
尾轮胎
Tail tyre
Option
选择



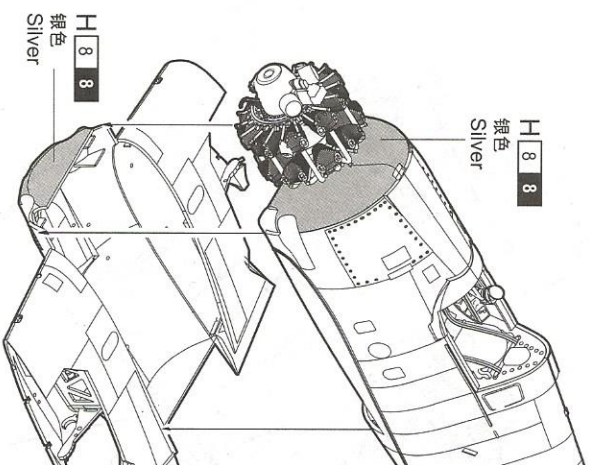
17



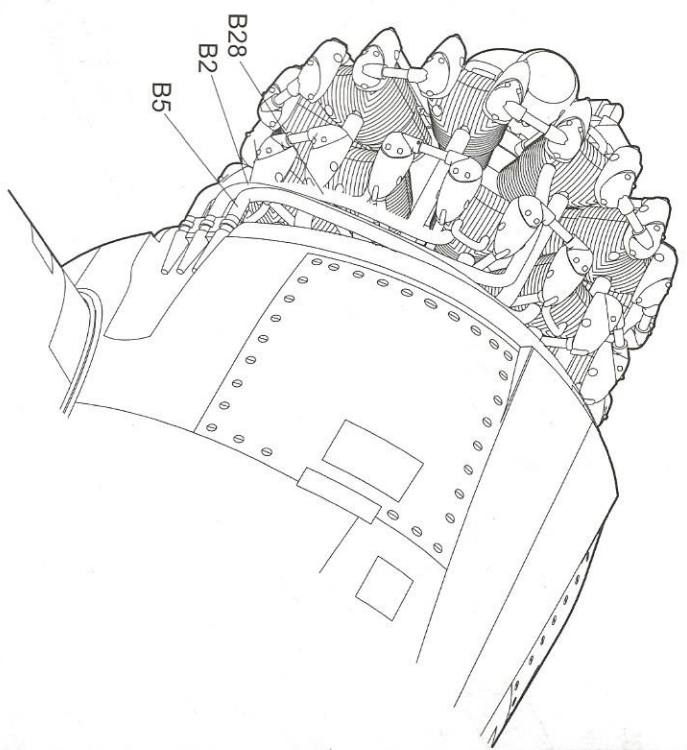
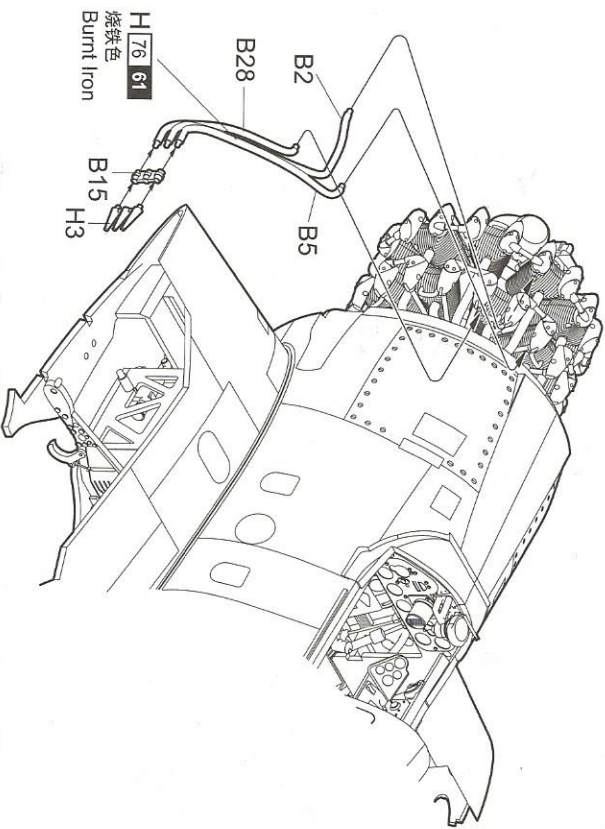
18



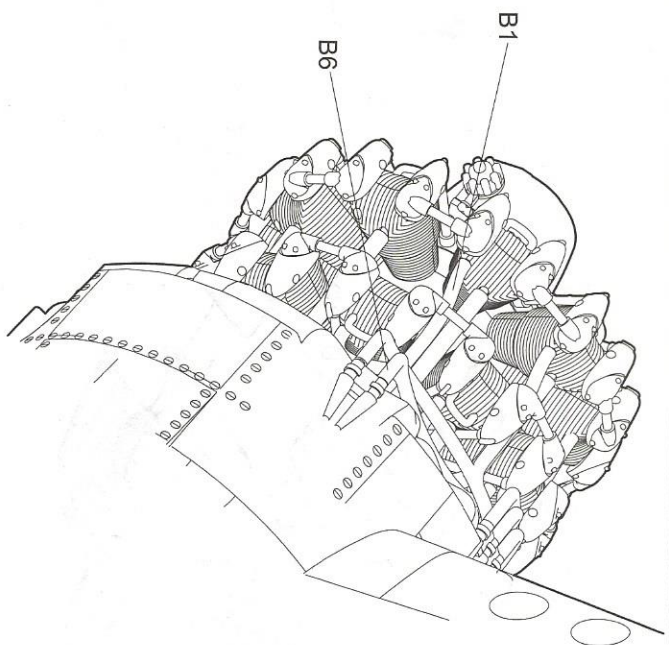
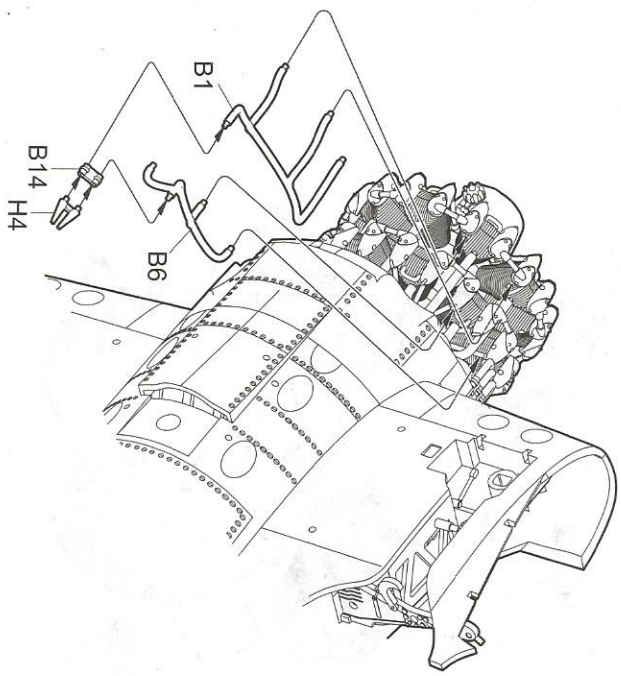
19



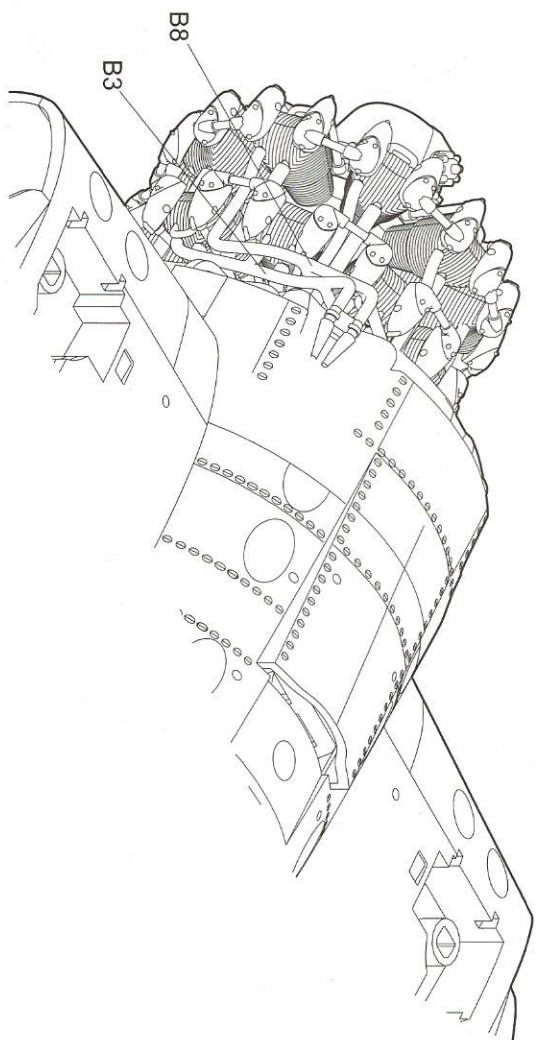
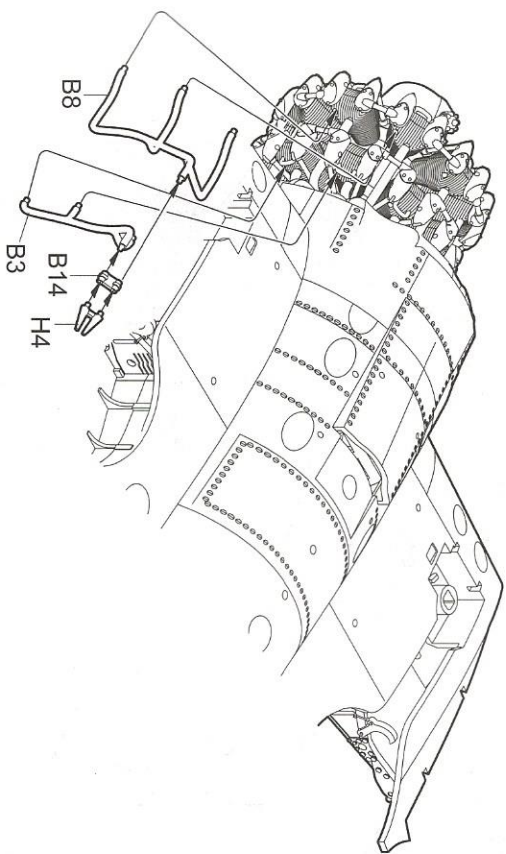
20



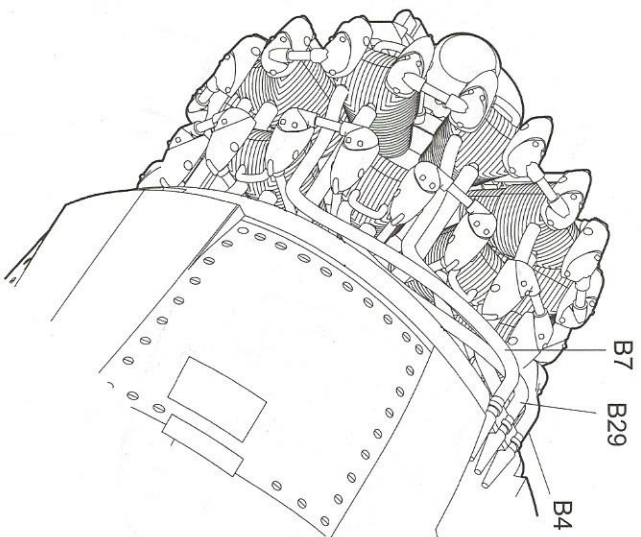
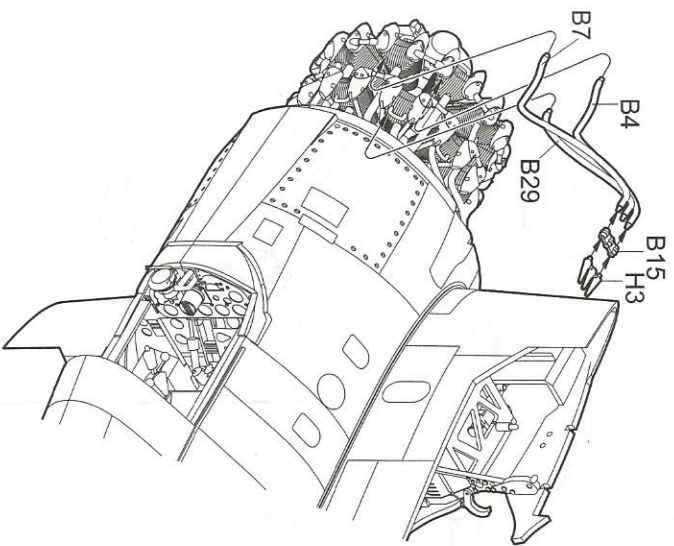
21

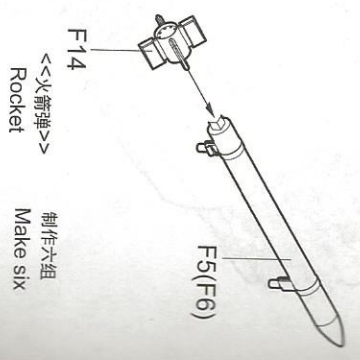
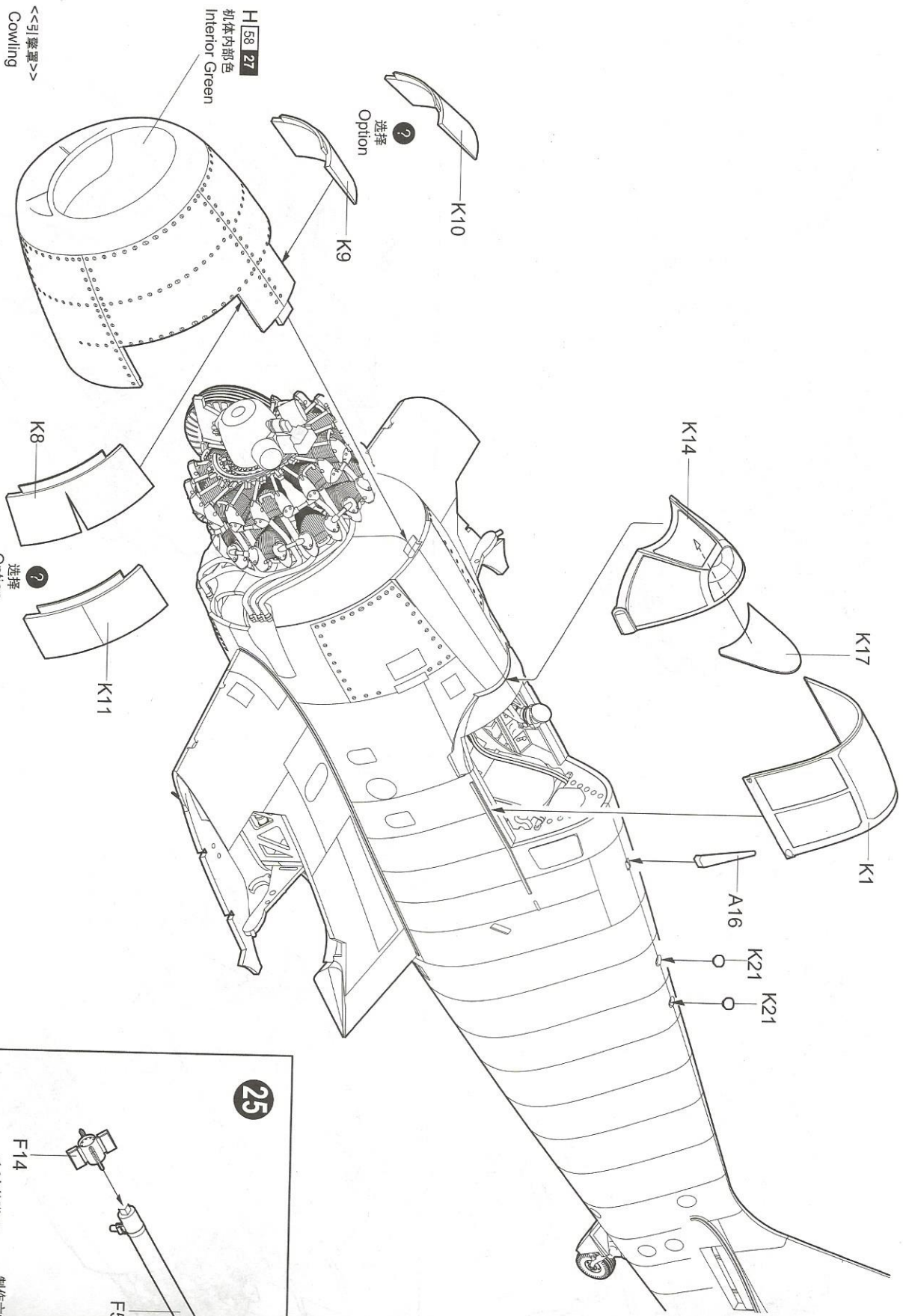


22

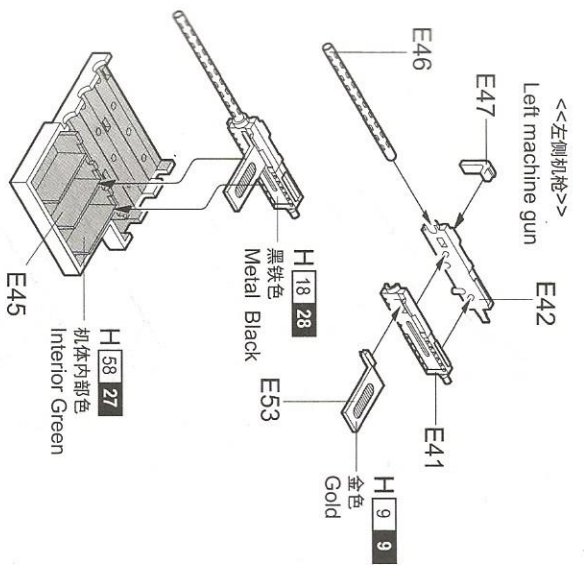


23

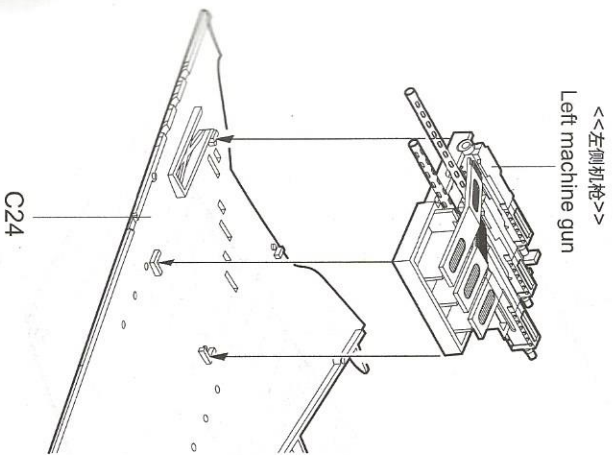




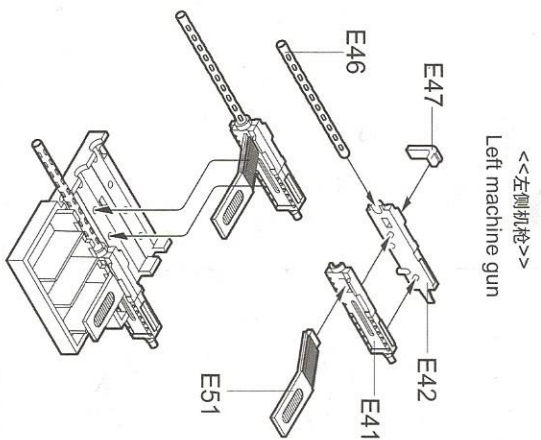
26



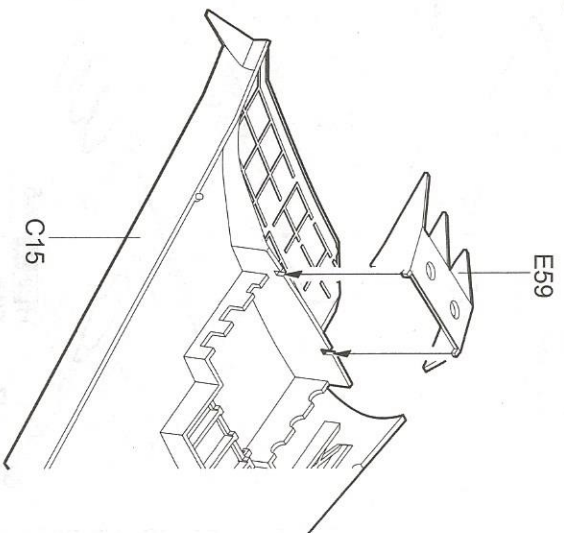
29



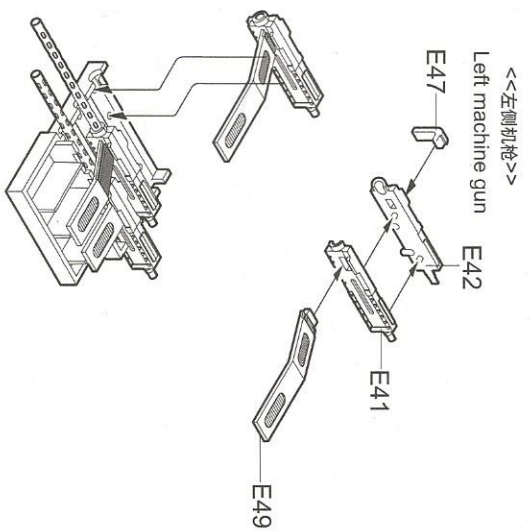
27



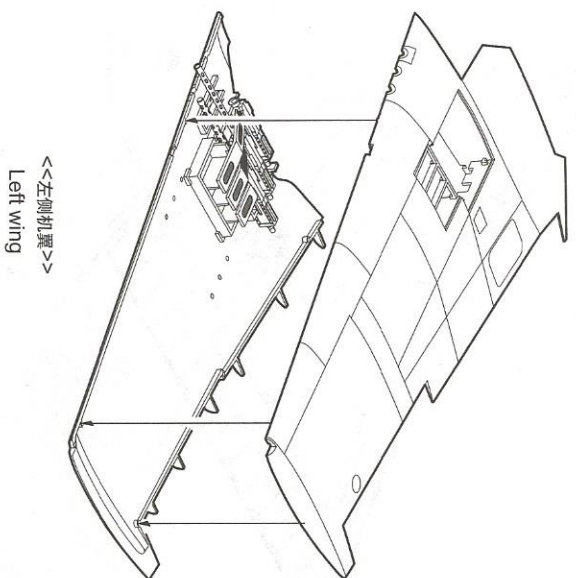
30



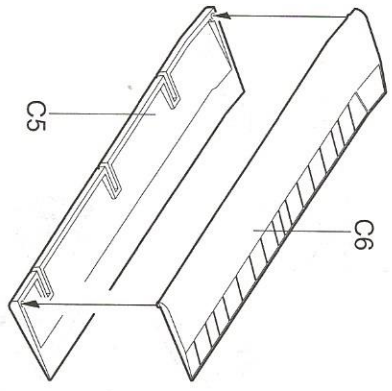
28



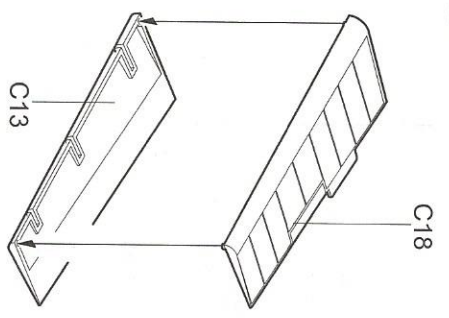
31



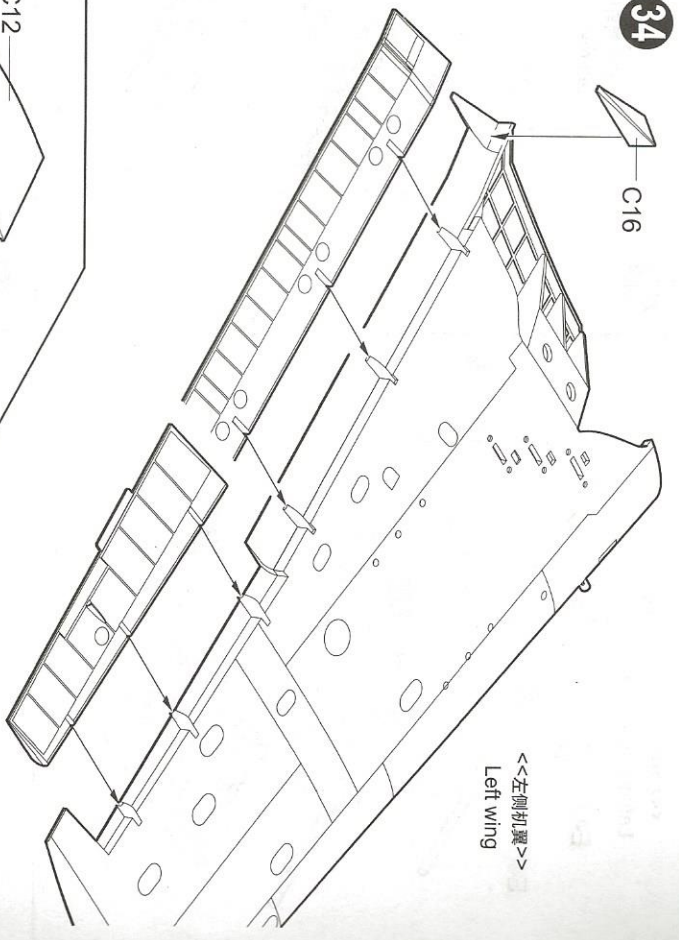
32



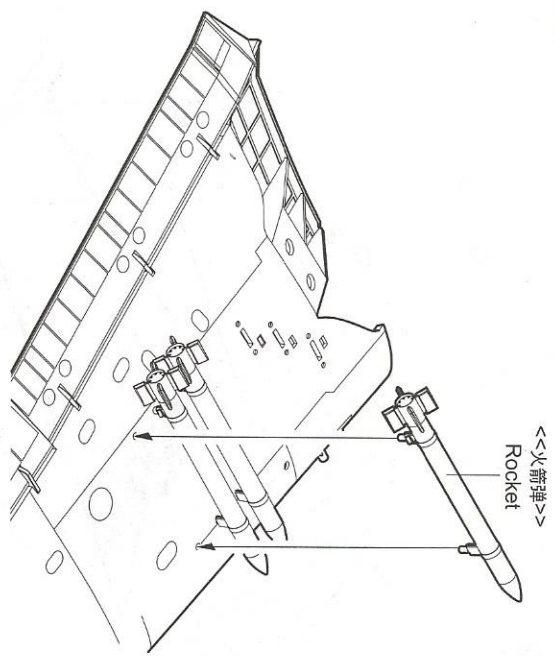
33



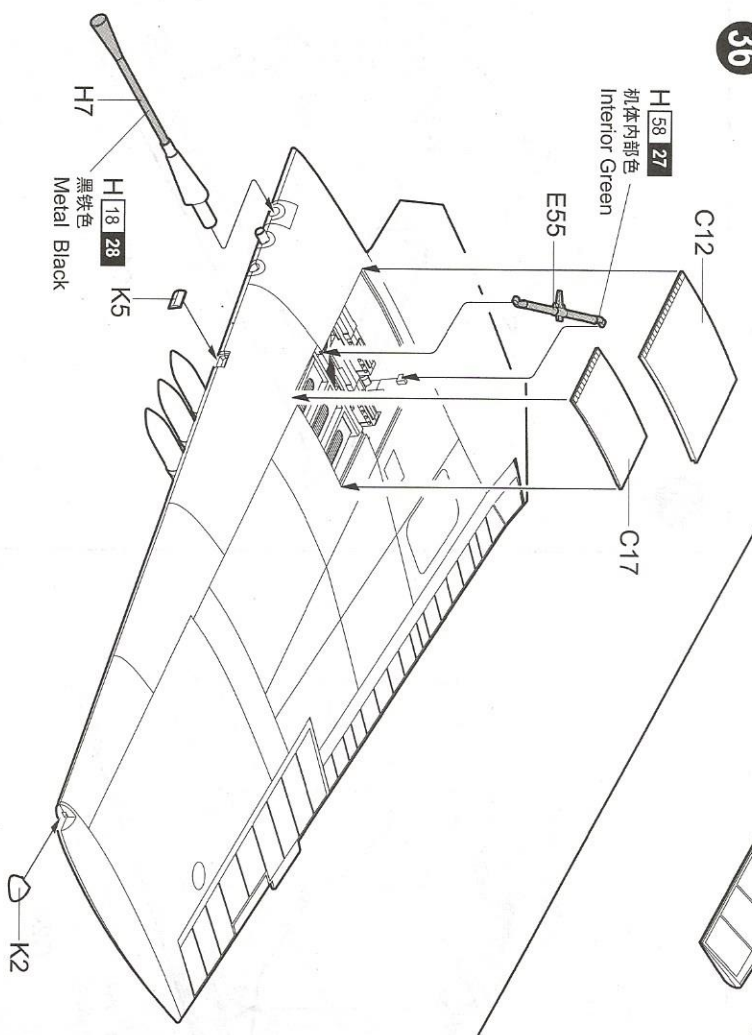
34



35

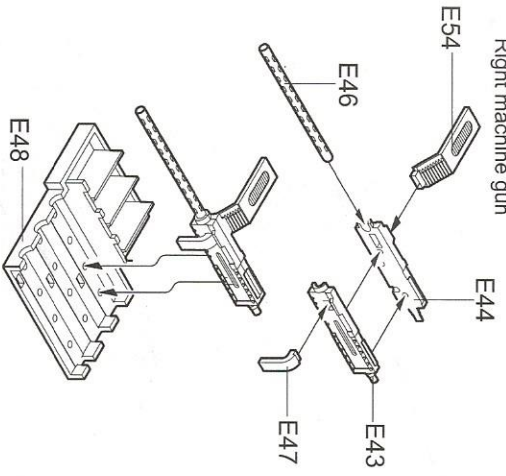


36



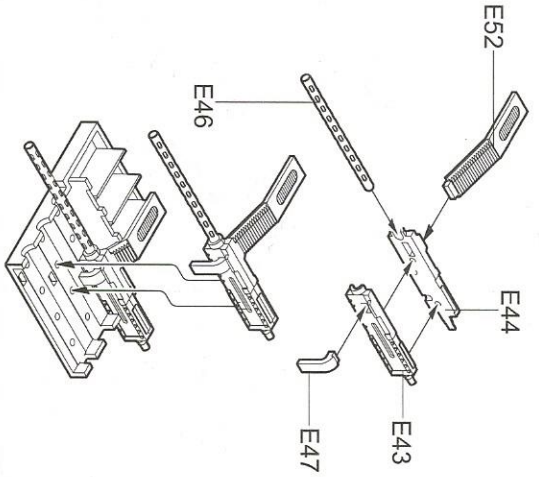
37

<<右侧机舱>>
Right machine gun



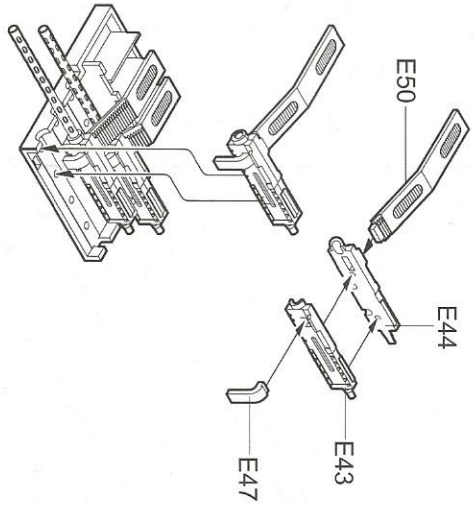
38

<<右侧机舱>>
Right machine gun



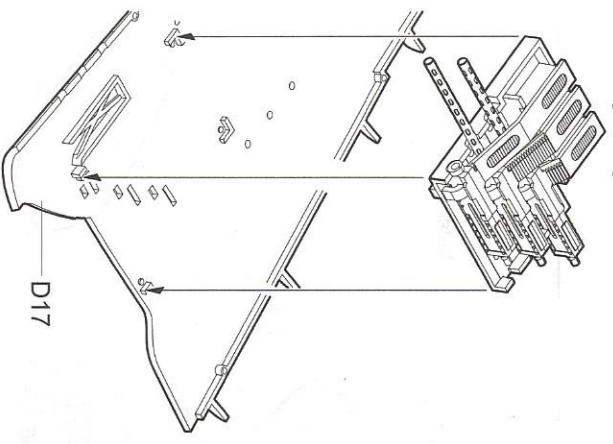
39

<<右侧机舱>>
Right machine gun



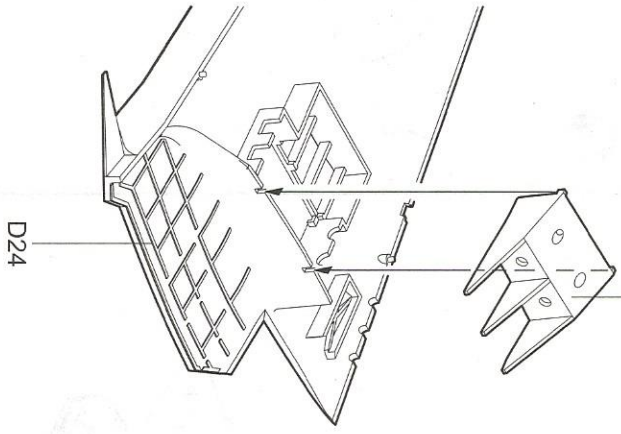
40

<<右侧机翼>>
Right wing



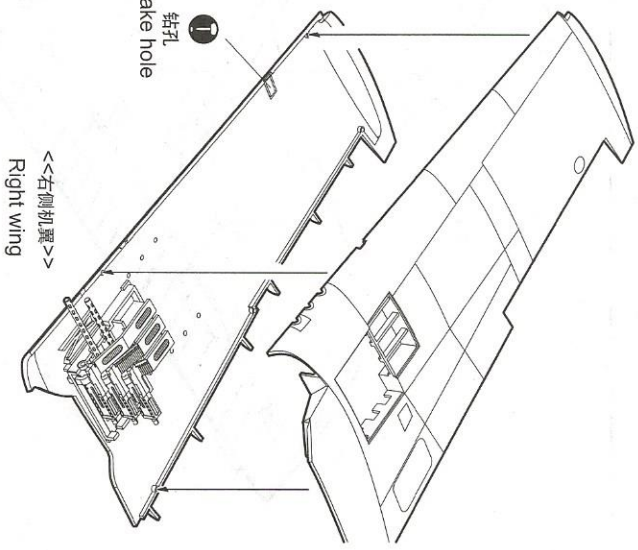
41

E60

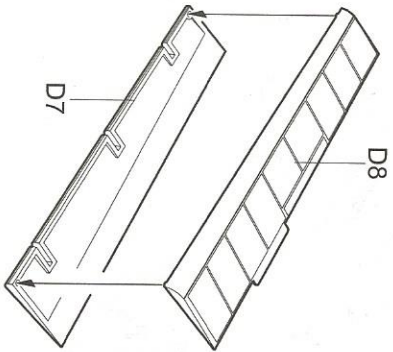


42

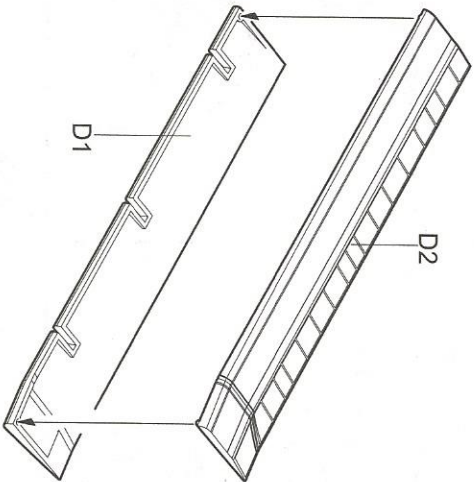
①
铨孔
Make hole



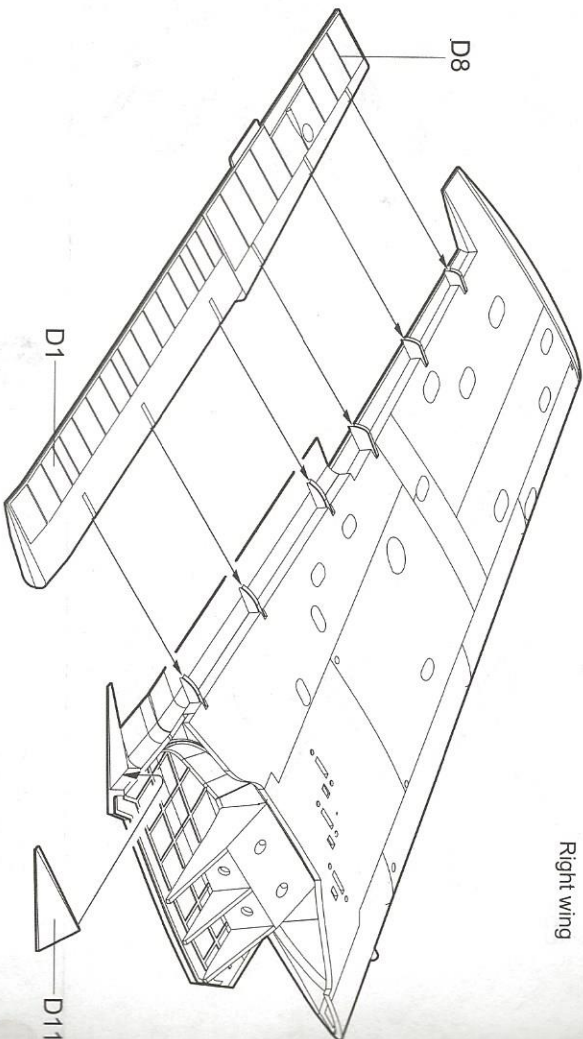
43



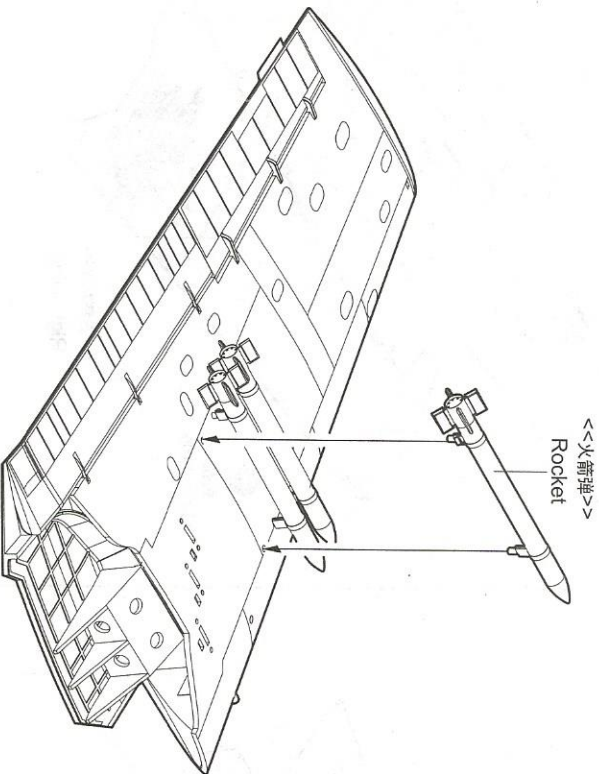
44



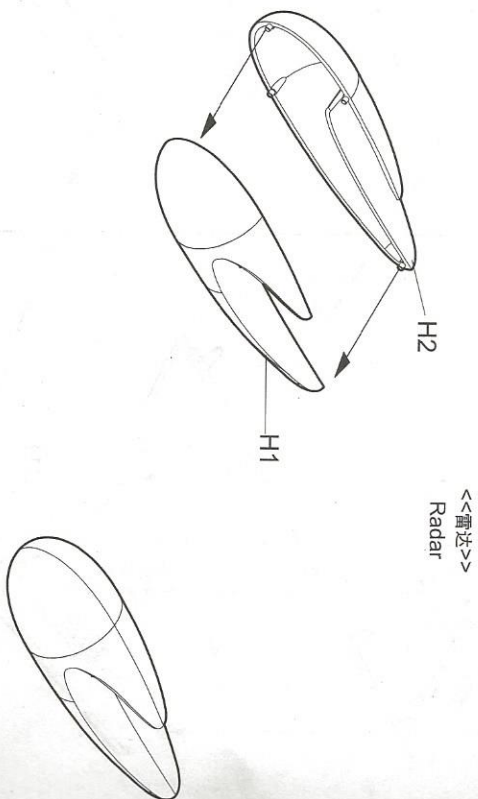
45



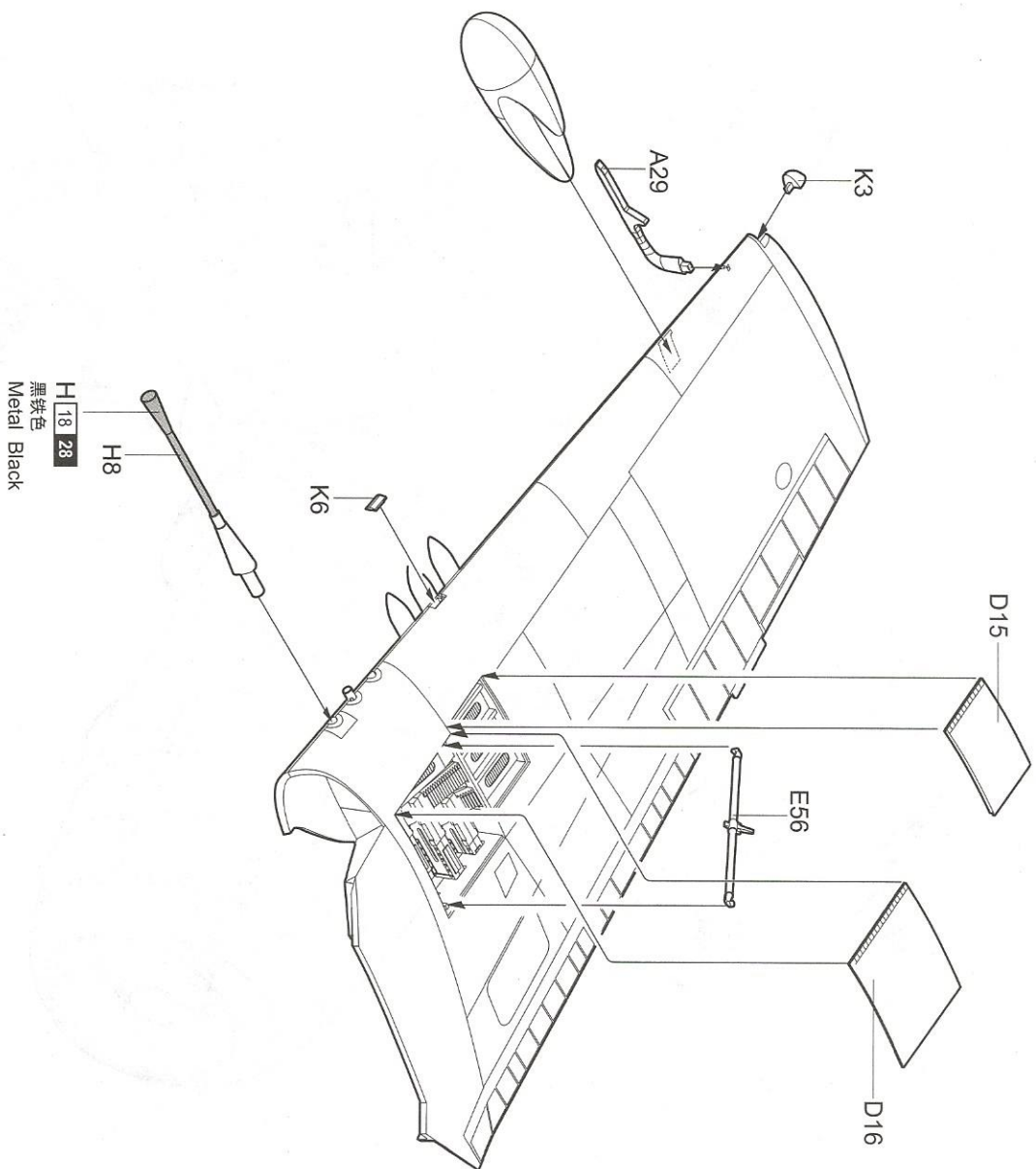
46



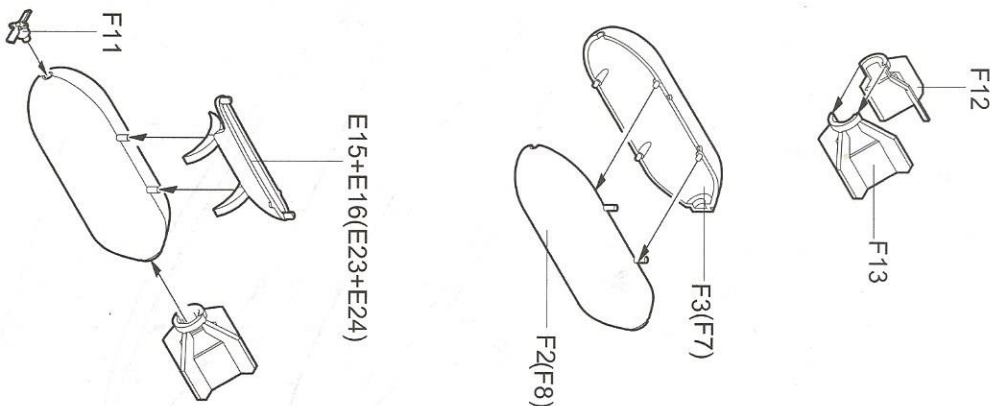
47



<<右侧机翼>>
Right wing

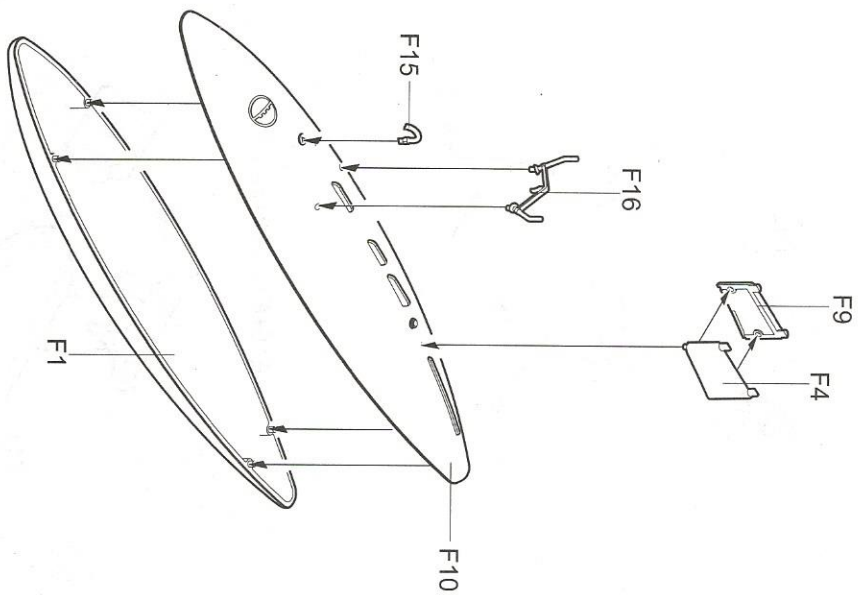


<<炸弹>>
Bomb



制作2组
Make two

<<副油箱>>
Fuel tank

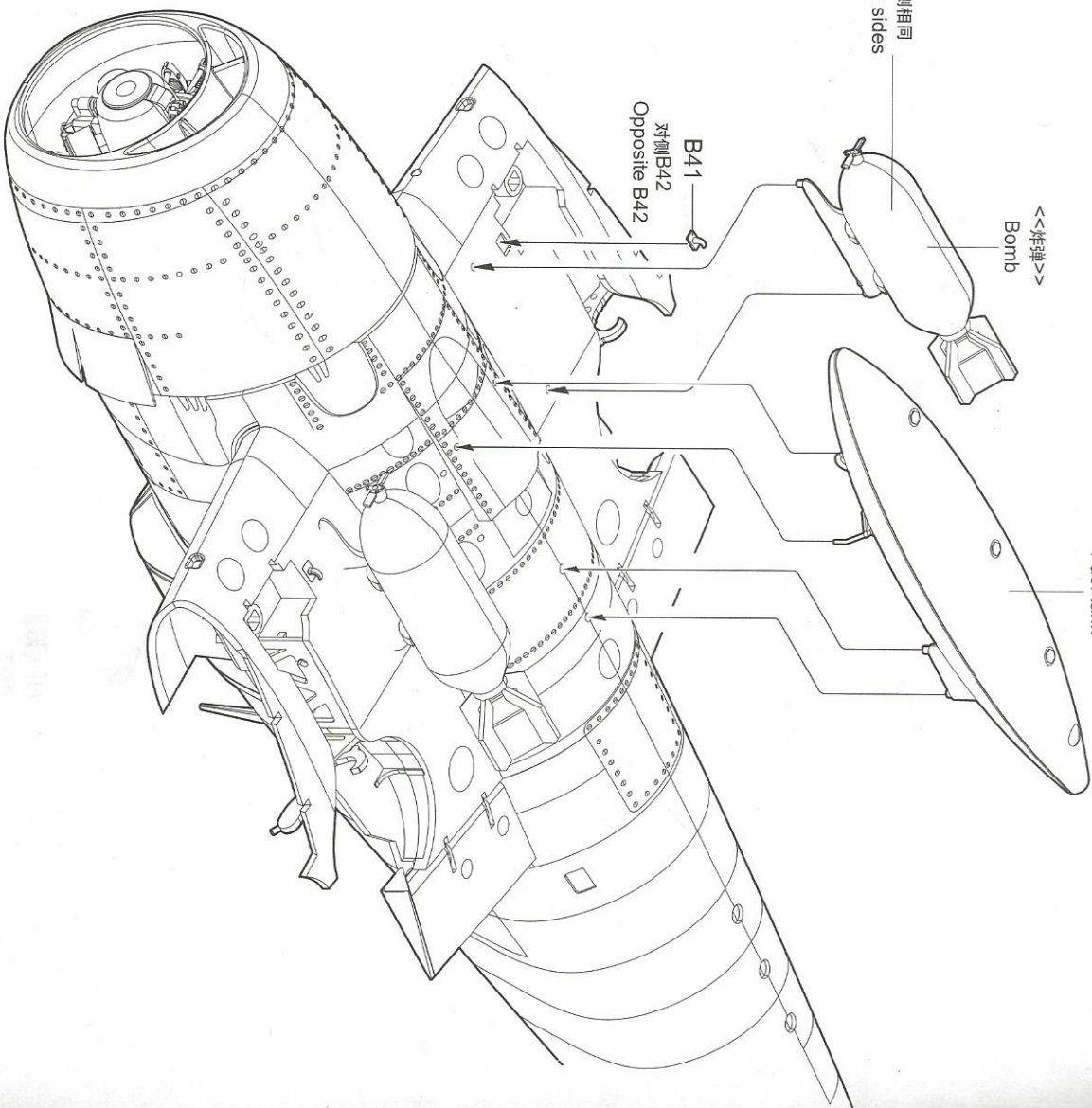


<<副油箱>>
Fuel tank

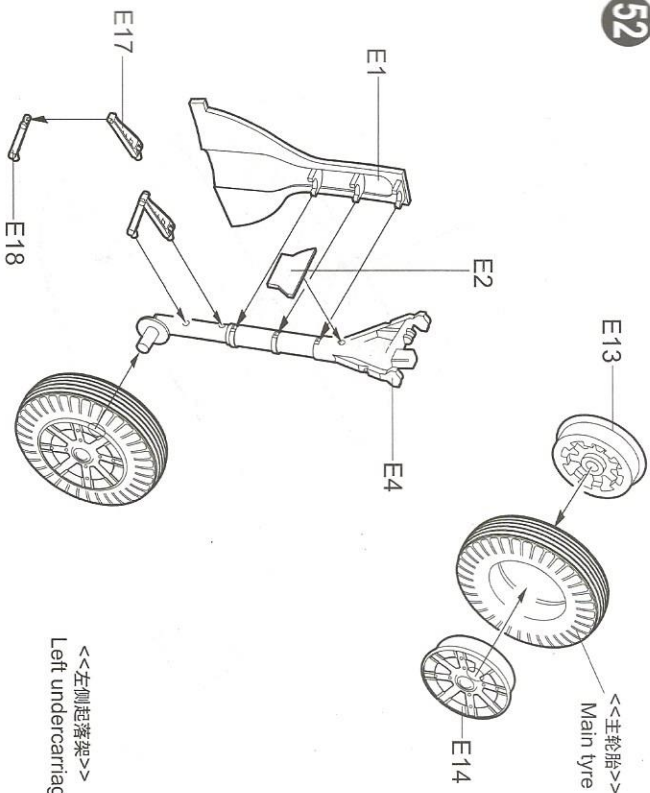
<<炸弹>>
Bomb

对侧相同
Both sides

B41
对侧B42
Opposite B42

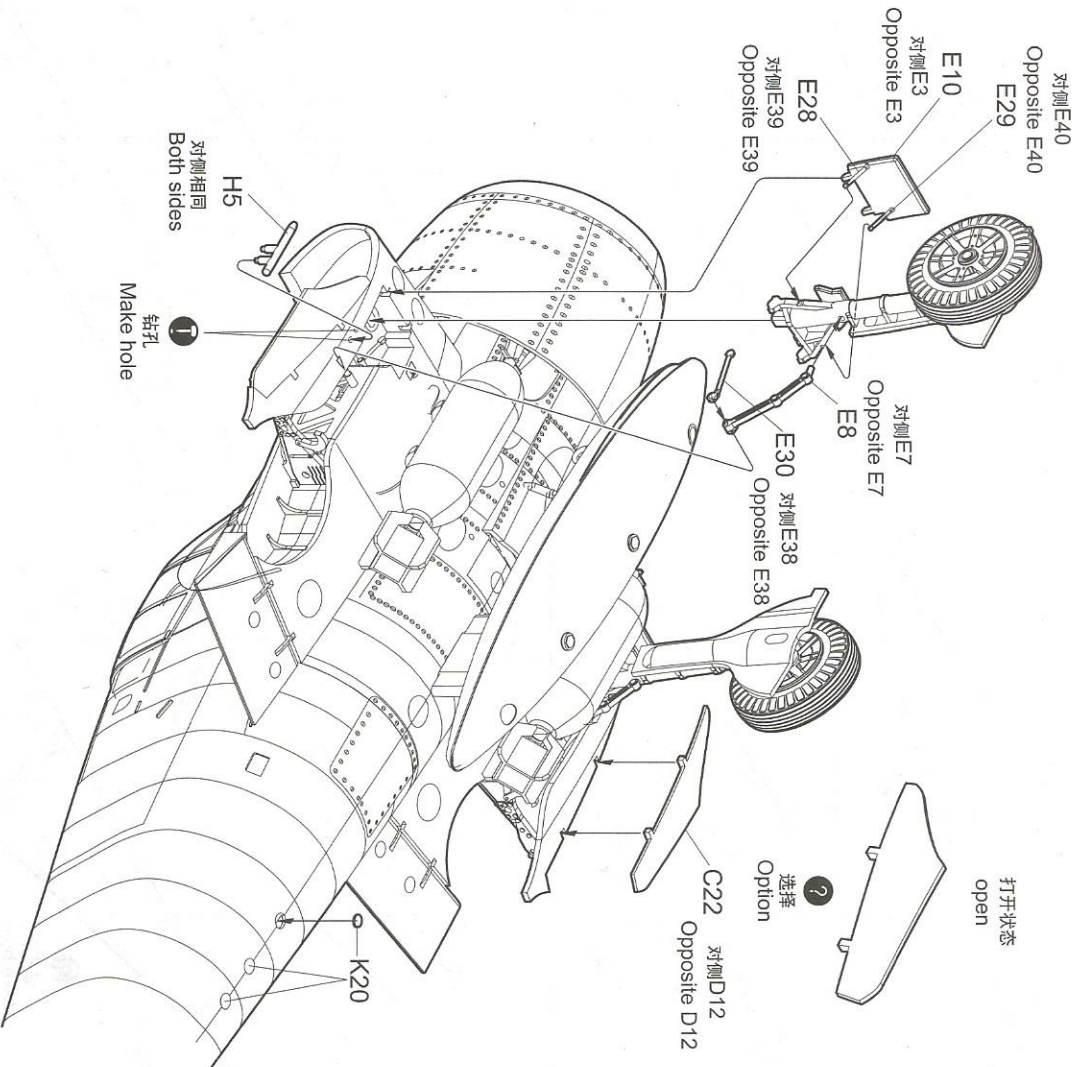


52



<<左侧起落架>>
Left undercarriage

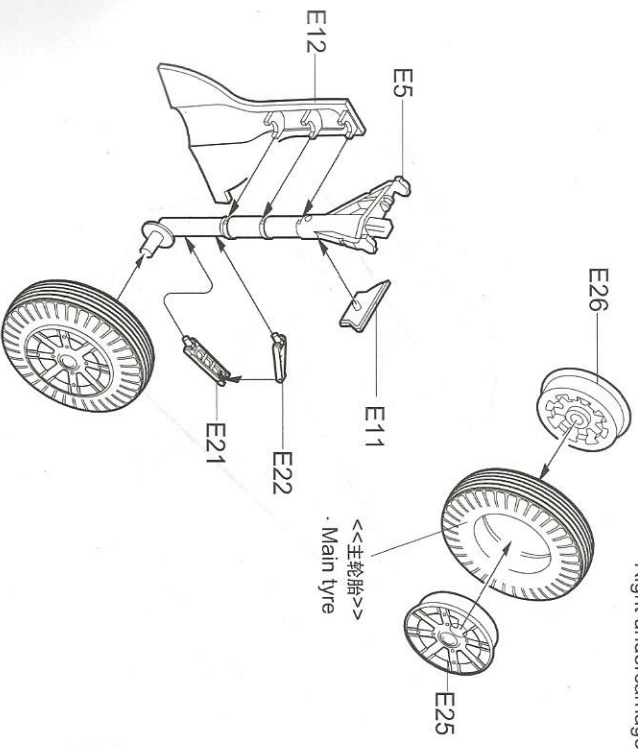
54



打开状态
open

选择
Option

53

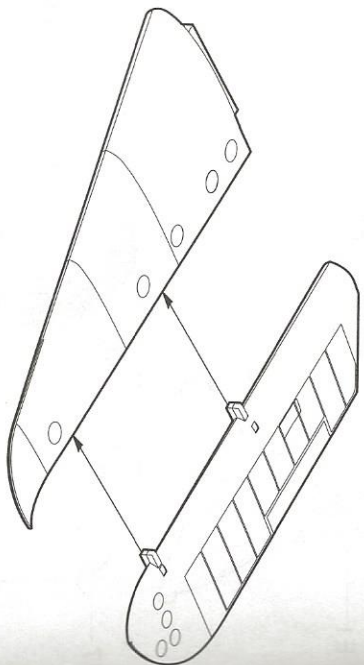
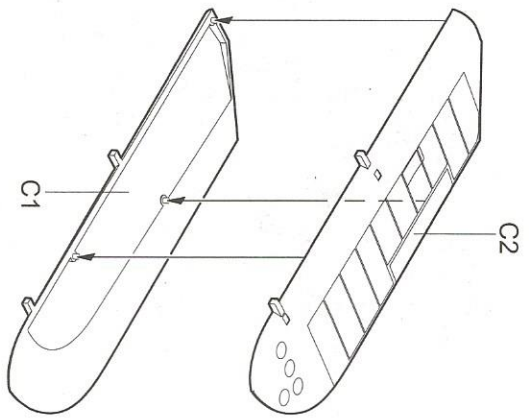
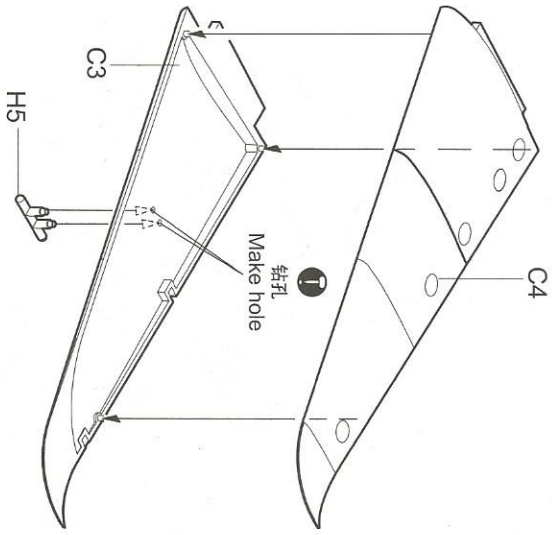


<<右侧起落架>>
Right undercarriage

<<主轮胎>>
Main tyre

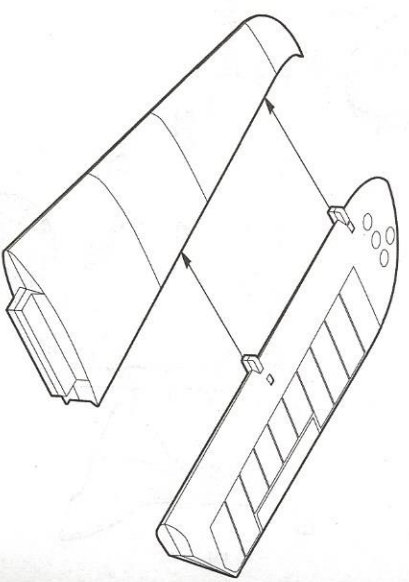
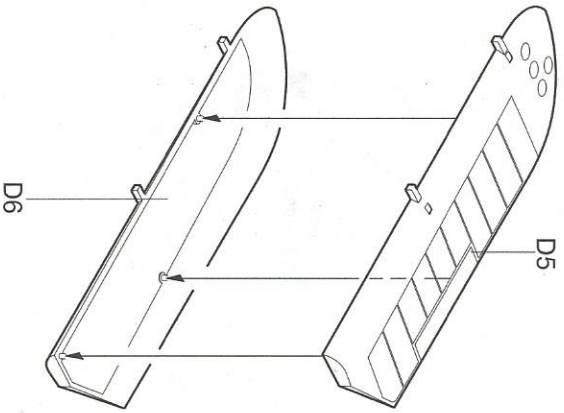
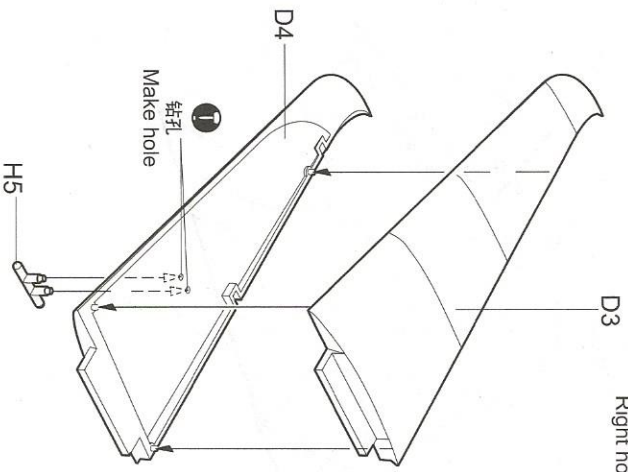
55

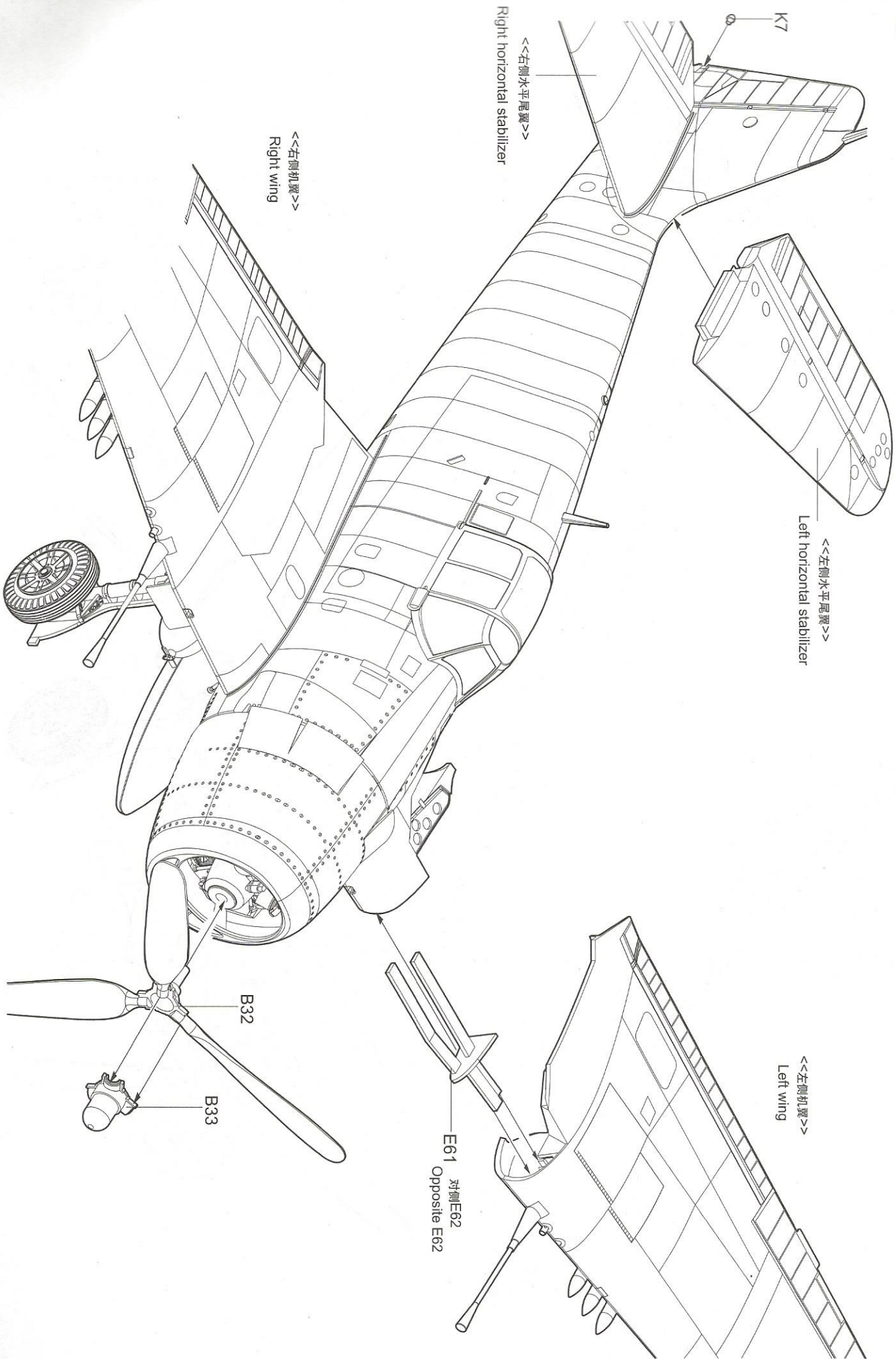
<<左侧水平尾翼>>
Left horizontal stabilizer



56

<<右侧水平尾翼>>
Right horizontal stabilizer





<<左側水平尾翼>>
Left horizontal stabilizer

<<左側机翼>>
Left wing

<<右側水平尾翼>>
Right horizontal stabilizer

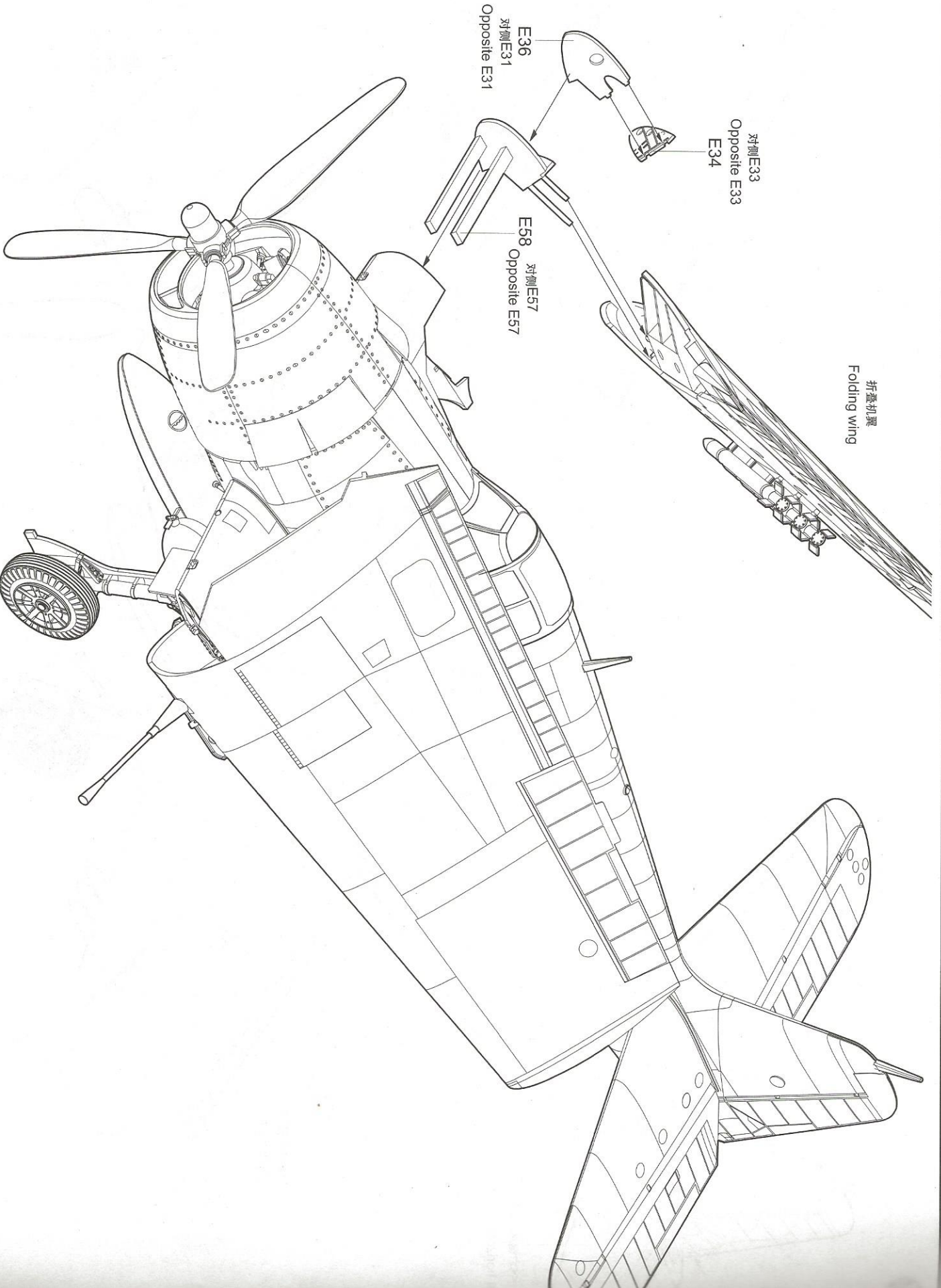
<<右側机翼>>
Right wing

E61 对侧 E62
Opposite E62

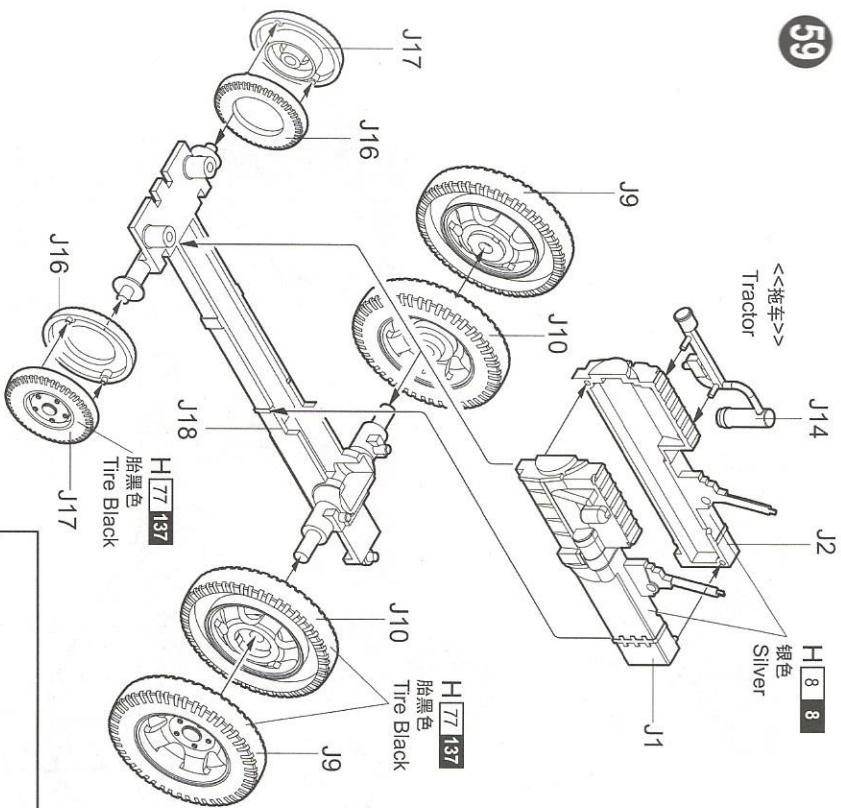
B32

B33

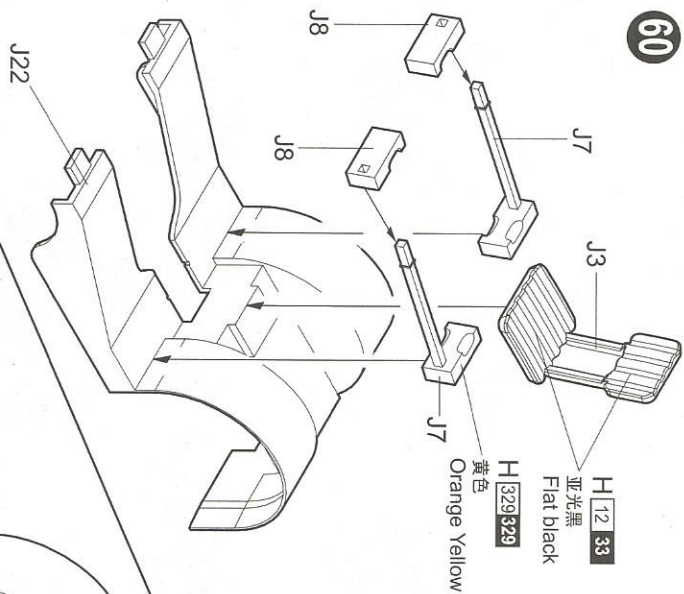
K7



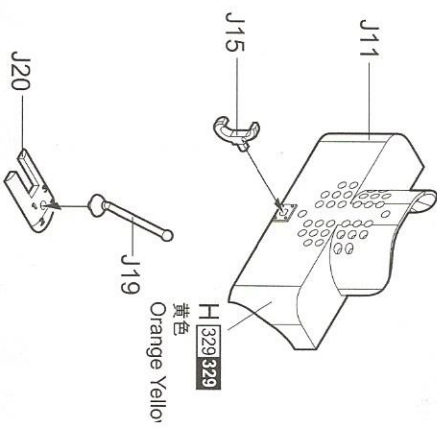
59



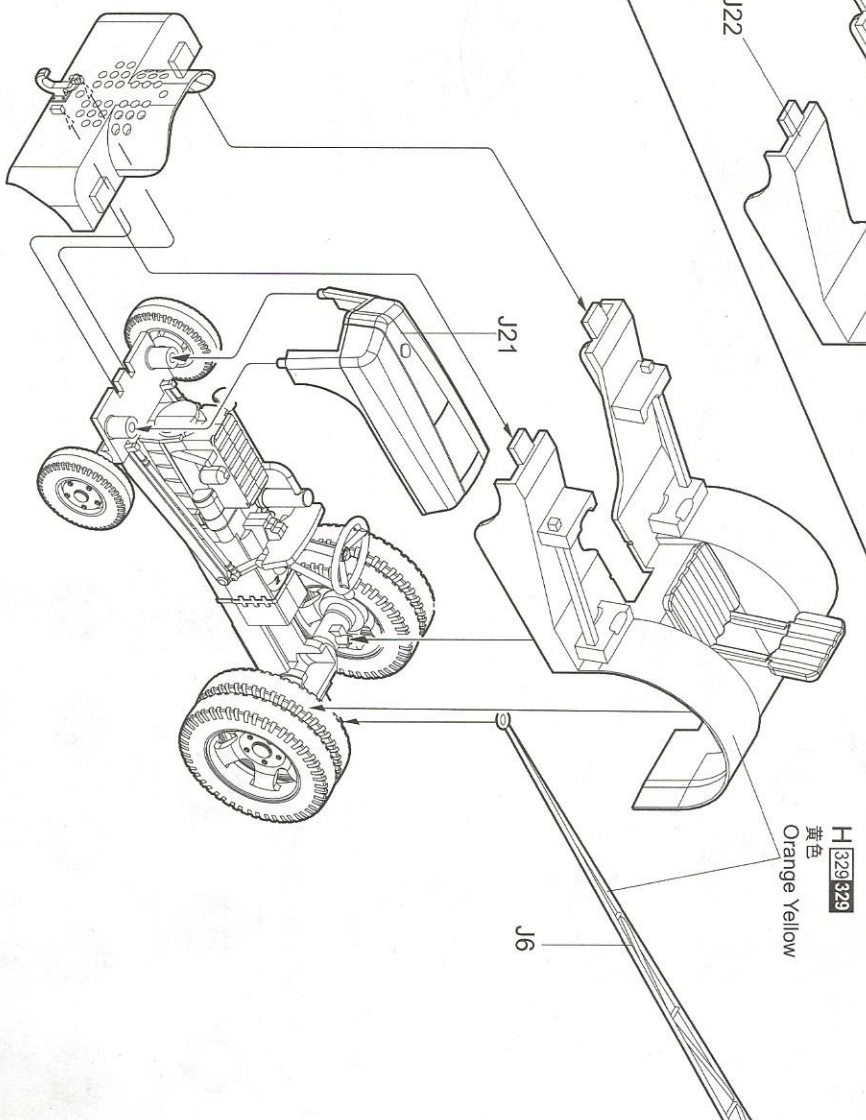
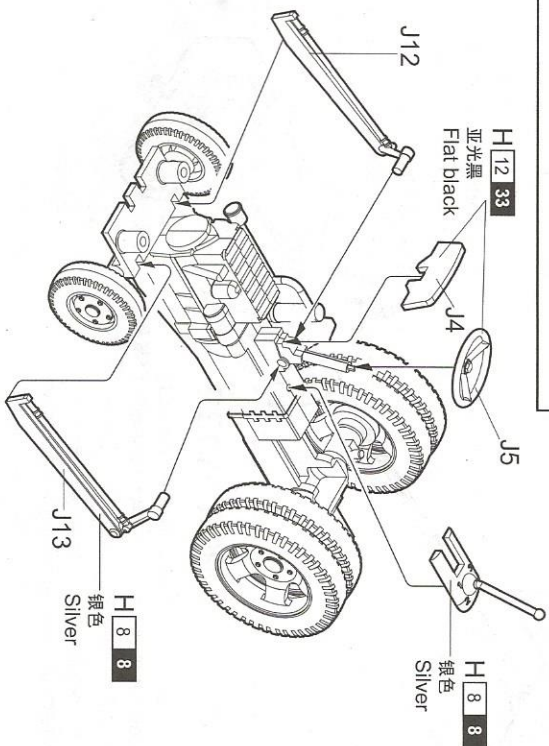
60

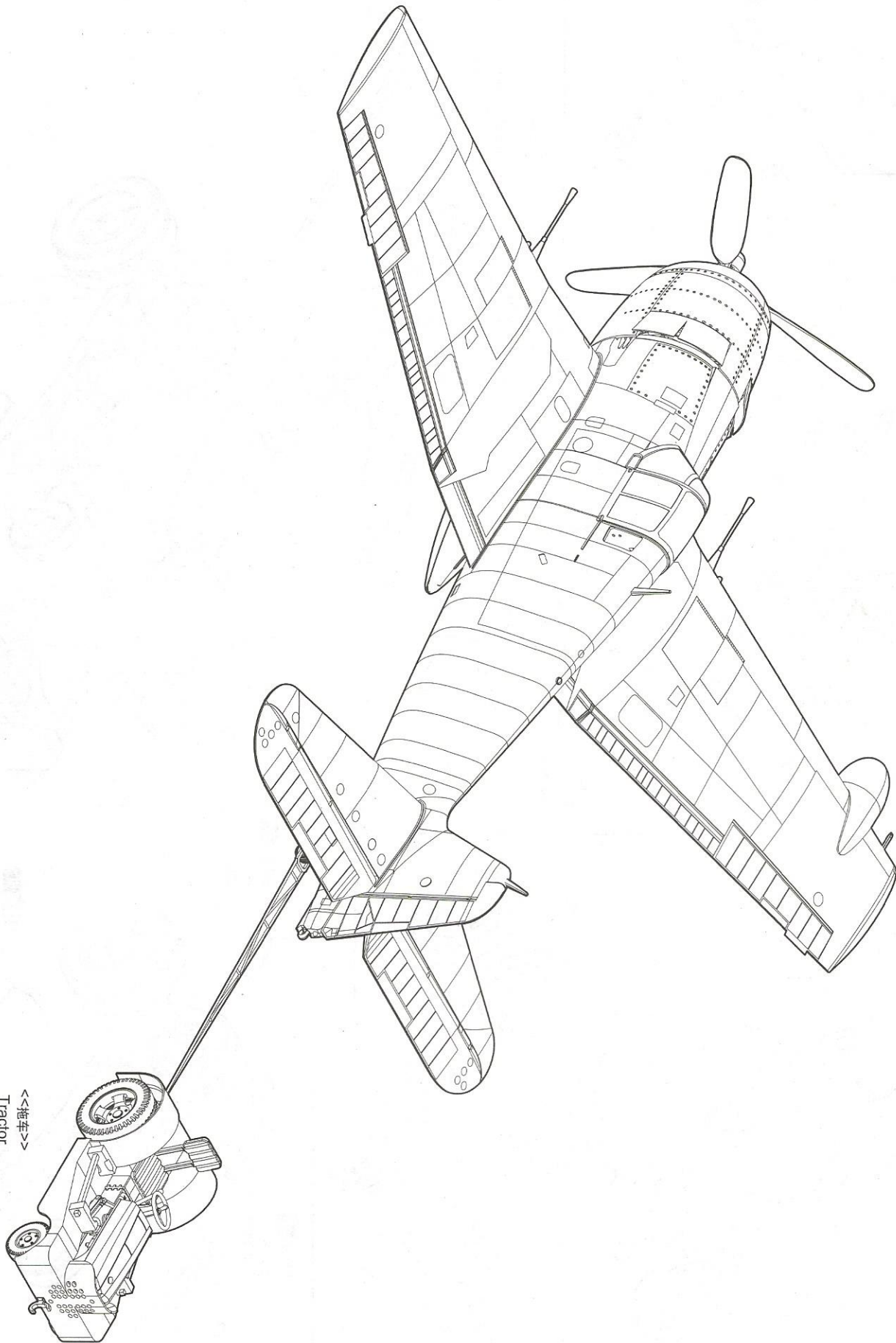


61



62





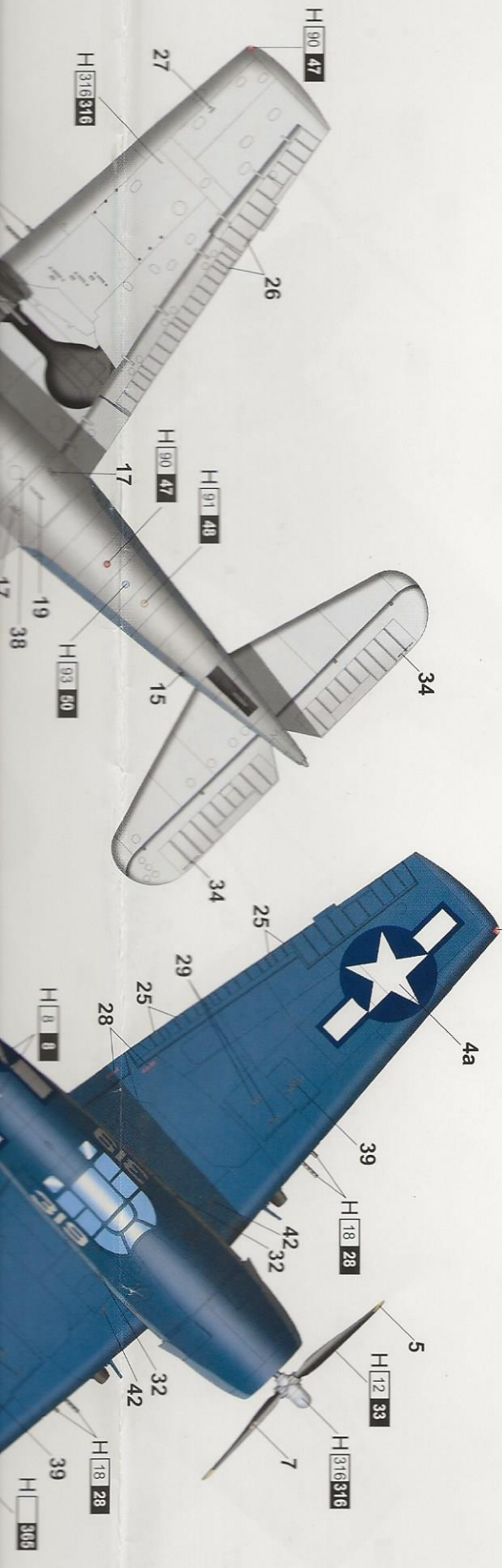
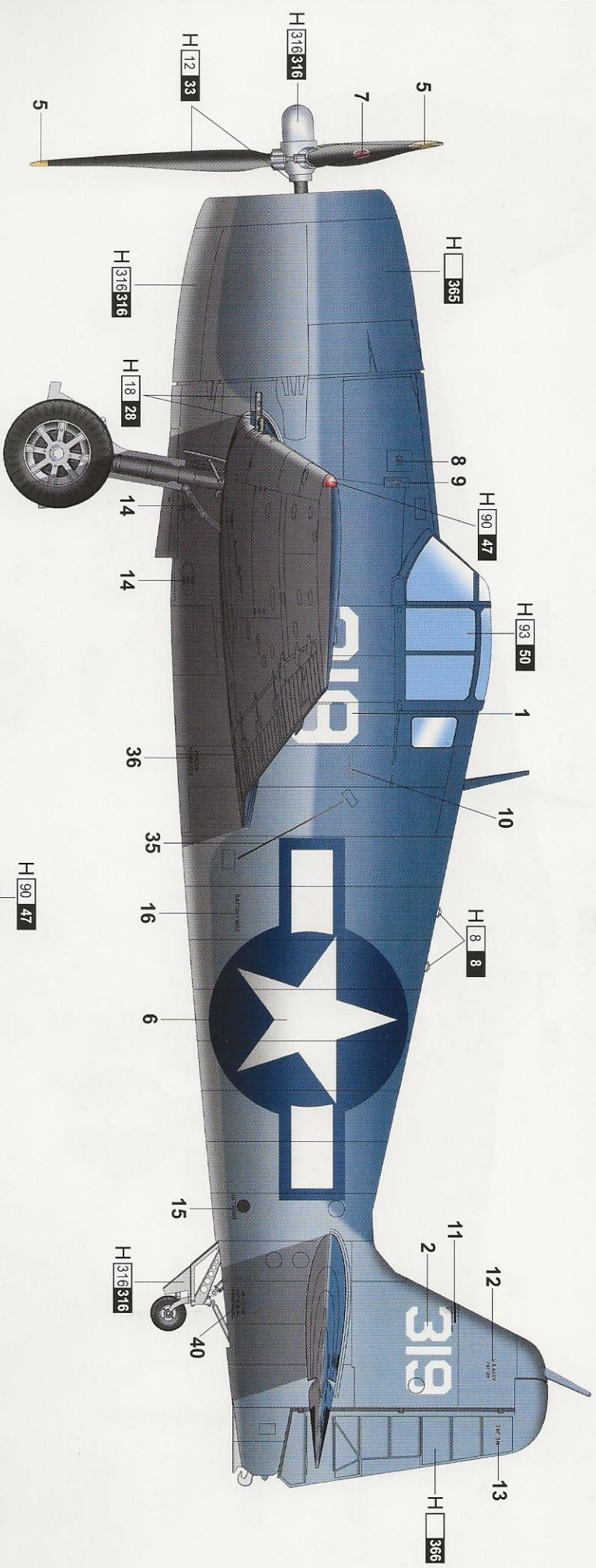
<<拖车>>
Tractor

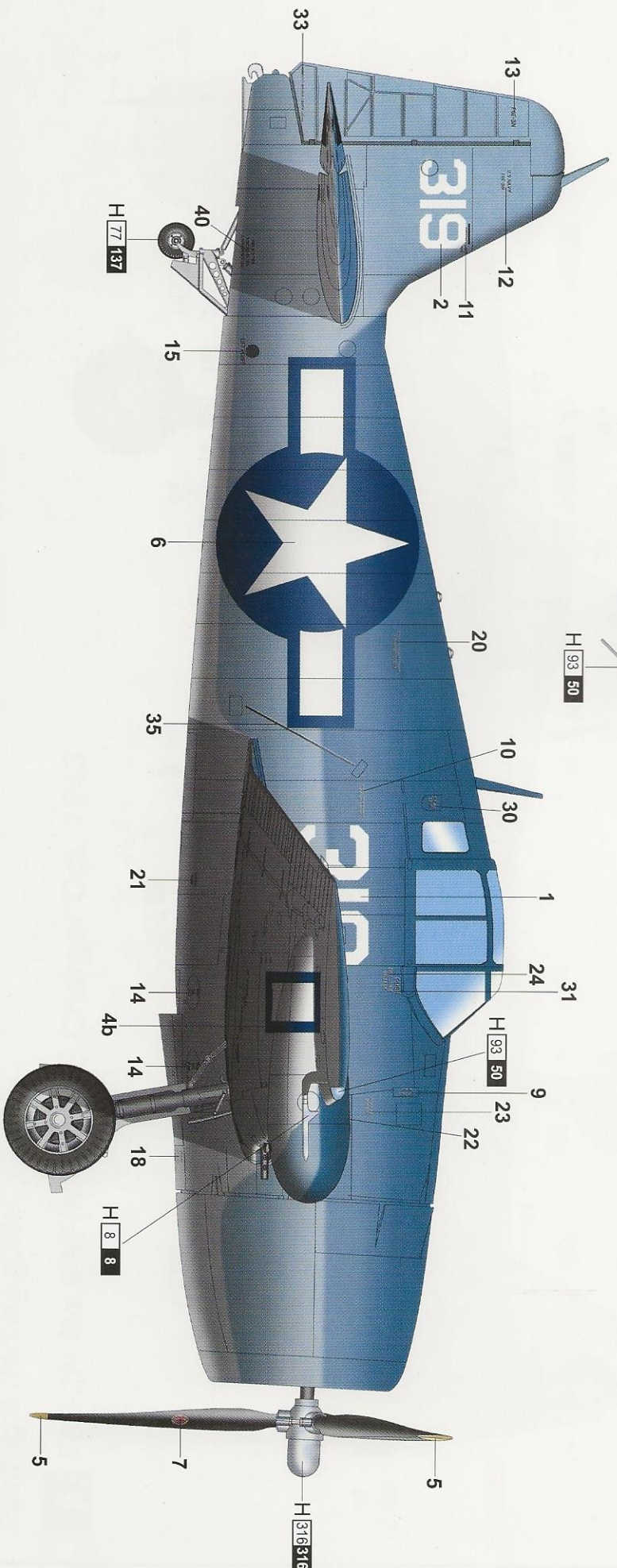
涂装同标贴指示 Painting & Marking guide

A F6F-3N No.319 USS Solomons Nov. 1944

使用 MR.HOBBY 涂料 Mr. Color Used

H 8 8	银色 Silver	H 93 50	透明蓝 Clear Blue	H 351	绿色 ZINC-CHROMATE TYPE1
H 18 28	黑铁色 Metal Black	H 77 137	胎黑色 Tire Black	H 366	中度蓝 Intermediate Blue
H 12 33	亚光黑 Flat black	H 316 316	白色 White Insignia		
H 90 47	透明红 Clear Red	H 329 329	黄色 Orange Yellow		
H 91 48	透明黄 Clear Yellow	H 365	海军蓝 Navy Blue		





H AQUEOUS HOBBYCOLOR ■ Mr. COLOR

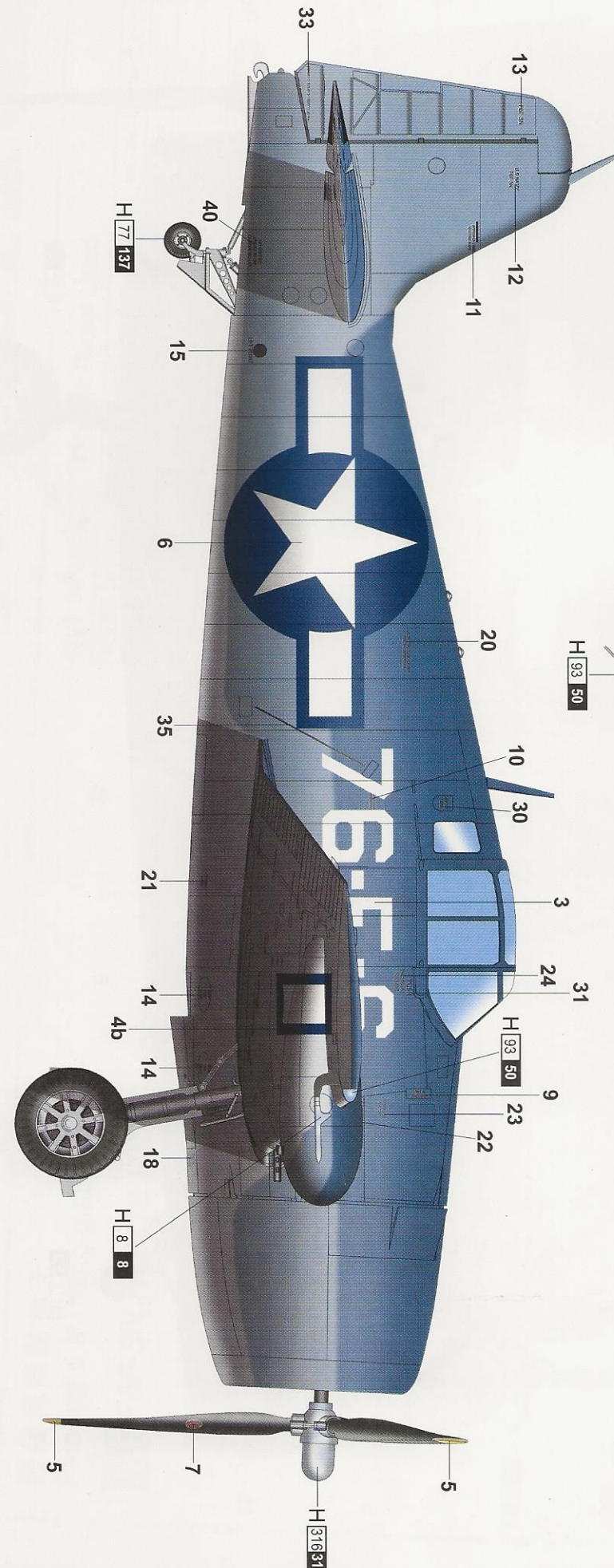
涂装同标贴指示
Painting & Marking guide

B F6F-3N No.6 VF(N)-76 USS Charger Oct. 1943



5
7
H 316 316
H 12 33
H 385
H 316 316
H 18 28
H 18 28
H 316 316
H 33 50
3
H 90 47
8 9
10
H 8 8
36
14
14
35
16
6
15
H 316 316
11
12
H 366
13

H 90 47
H 316 316
27
26
H 18 28
H 91 48
H 90 47
17
17
19
38
H 93 50
15
34
25
25
29
4a
39
H 18 28
42
32
H 12 33
H 316 316
5
7
H 18 28
H 365
39
H 18 28
H 365



H AQUEOUS HOBBYCOLOR ■ Mr. COLOR

使用 MR.HOBBY 塗料 Mr. Color Used