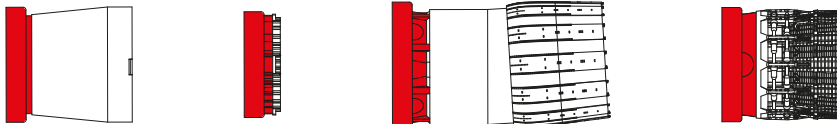


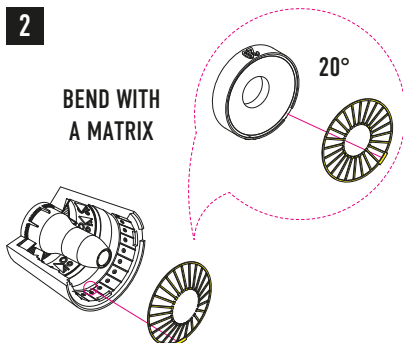
1

CUT



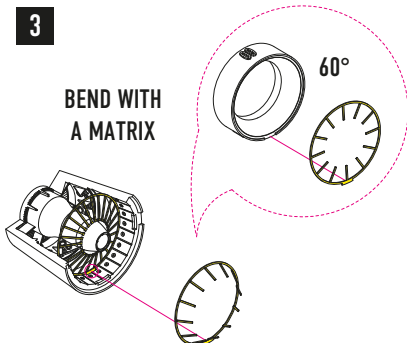
2

BEND WITH
A MATRIX

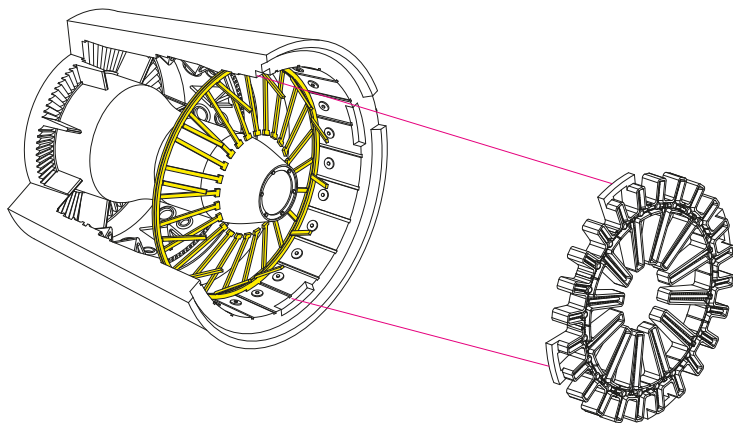


3

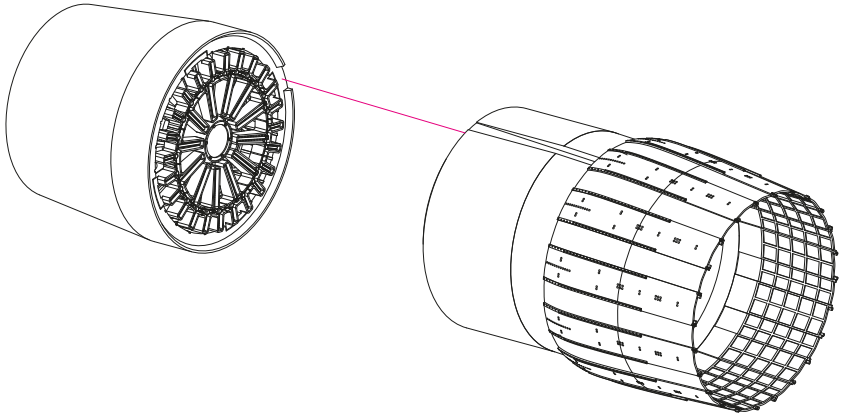
BEND WITH
A MATRIX



4



5



6

