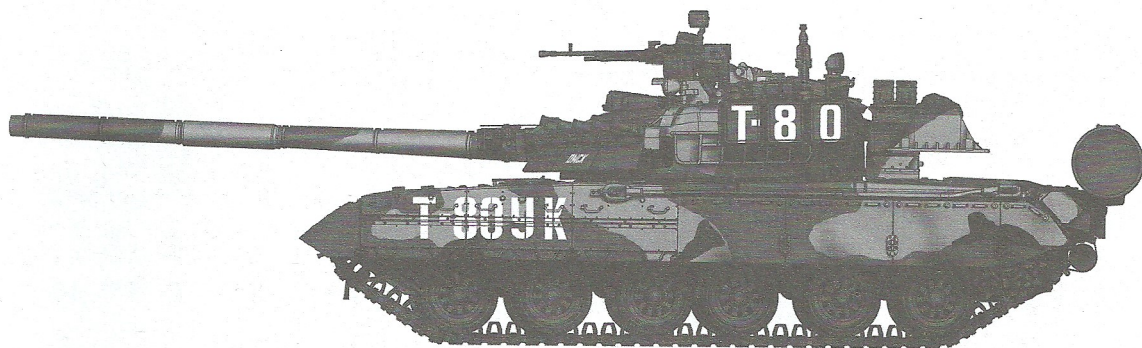


1/35 SCALE

ITEM NO.:09578



Russian T-80UK MBT

俄罗斯T-80UK主战坦克

READ BEFORE ASSEMBLY:

装配之前仔细阅读

- Study and understand these instructions thoroughly before beginning assembly
 - When needed, remove photo-etch parts carefully using a modeling knife or photo etch sprue cutter, being careful not to damage or lose small parts.
 - Take extra care in handling photo etch parts in order to avoid injury
 - Apply instant cement sparingly to photo etch parts where instructed
 - Tools recommended(not included in kit):Plastic and instant cements, sprue cutters,long nose pliers,modeling knife, small files, tweezers, pin vise & scissors. Soft cloth and sandpaper will also assist in construction
 - Glue and paint are not included in the kit. Use plastic cement and hobby paints only. Color guide for purchasing paint is included in the kit.
- 小心用模型锉刀锉平所有零件表面的注射浇口。
 - 小心用刀片切下蚀刻片零件，不要遗失小零件。
 - 用强力快干胶水粘合蚀刻片零件和金属轴。过量快干胶水使用可能导致可动零件会粘住，小心涂胶。
 - 取蚀刻片时应特别注意安全，防止利边划伤手指。
 - 某些零件表面需贴水上贴纸，请选择在装配的同时进行。
 - 推荐模型工具(自备)：胶水，水口剪刀，长咀钳，刀片，锉刀，镊子，钳，钻，剪刀，瞬间快干胶。
 - 软布同砂纸同时也应该是必备工具。
 - 请使用塑料胶水和油漆，模型内不含。



配重
Weight



使用强力胶
Cyanoacrylate glue



钻孔
Make hole



切除
Cut / Remove



贴纸
Decal



锉平
File / Sand



选择
Option



不涂胶水
No cement



弯曲
Bend



先装
Install it first

水贴纸的使用:

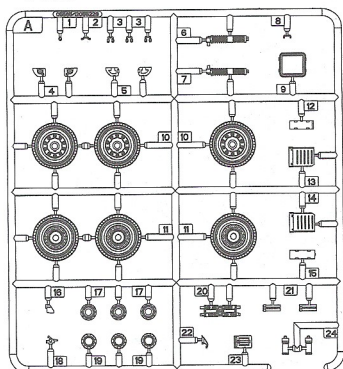
- 1.从水贴上剪下印花;
- 2.将印花放入温水中浸10秒,然后放在干净布上。
- 3.拿着印花纸板将印花移到模型上;
- 4.手指蘸水将印花移到适当的位置;
- 5.用软布轻压印花直至水干, 气泡消失

DECAL APPLICATION

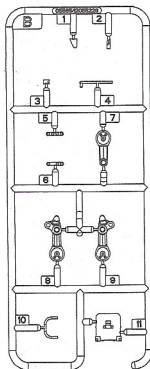
- 1.Cut decals from sheet as needed
- 2.Dip the decal in warm water for about 10 seconds and then place on soft clean cloth.
- 3.Hold the decal backing sheet edge and gently slide the decal onto the model in its proper position.
- 4.While still wet,decal can be adjusted for better fit on model by dampening it gently with your finger.
- 5.When placed in the proper position,gently press decal down with a soft cloth until excess water and air bubbles are gone.
- 6.Allow decal to dry completely before handling model

部品图
Parts

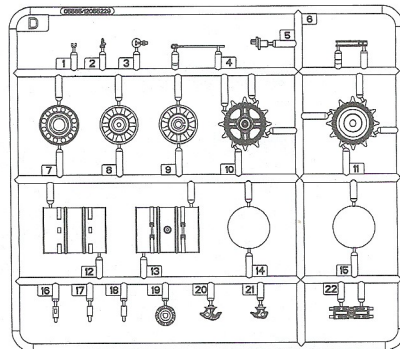
Ax4



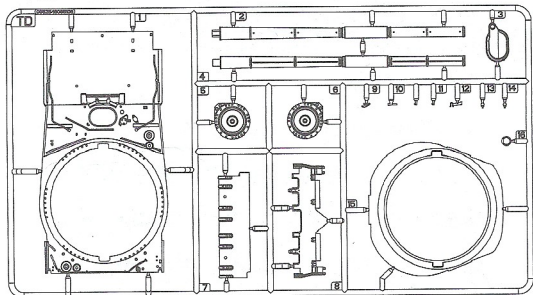
Bx4



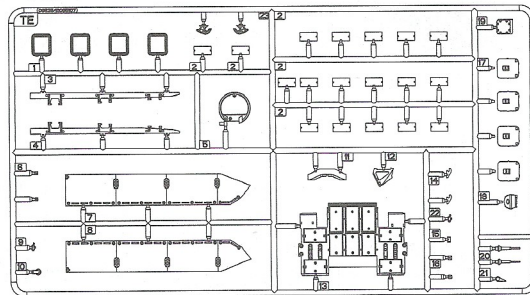
Dx2



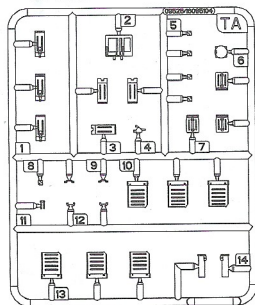
TD



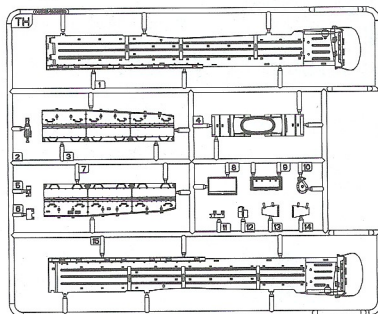
TE



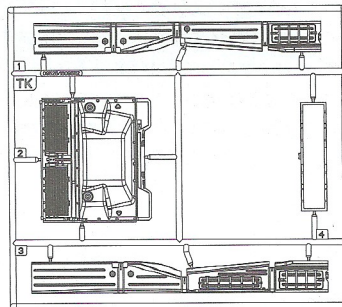
TAx2



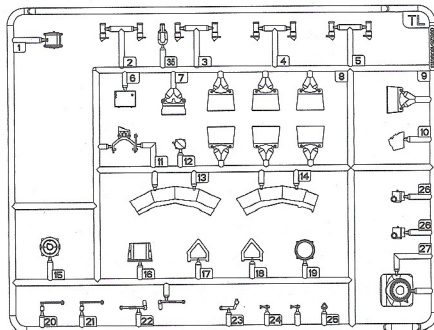
TH



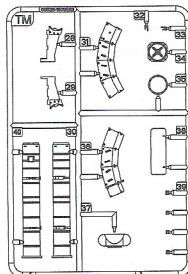
TK



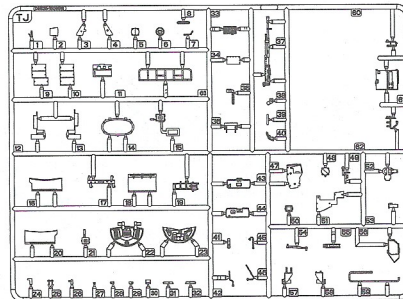
TL



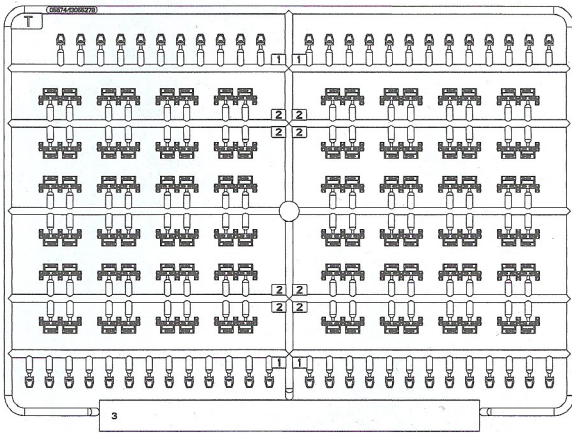
TM



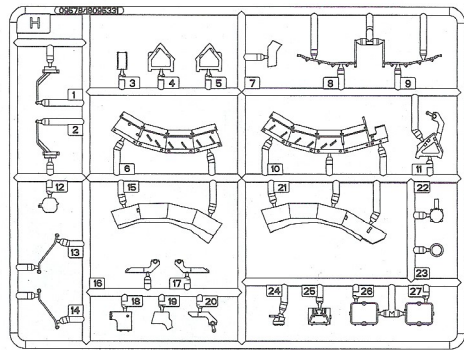
TJ



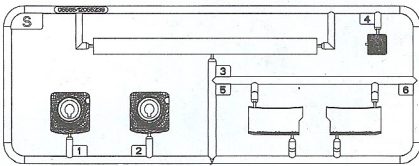
Tx4



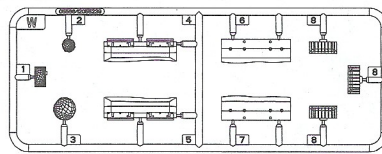
H



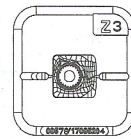
S



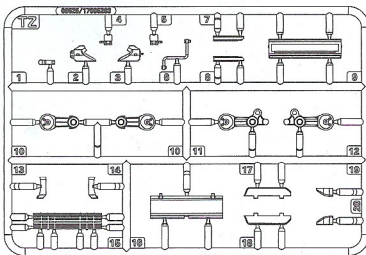
W



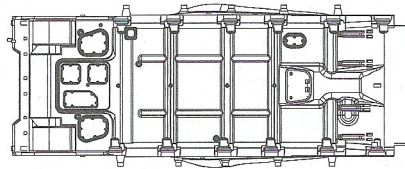
Z3



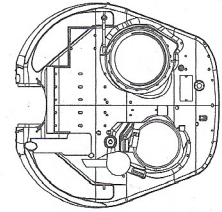
TZ



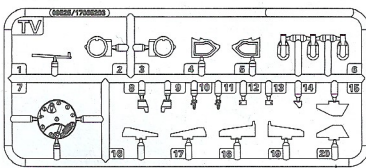
《车底》
Lower hull



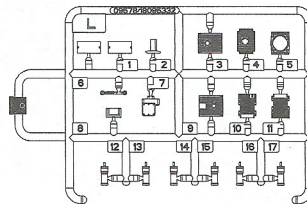
《炮塔》
Turret



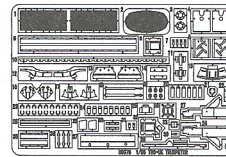
TV



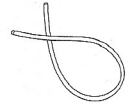
Lx2



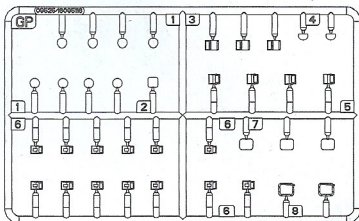
《蚀刻片》
PE-A



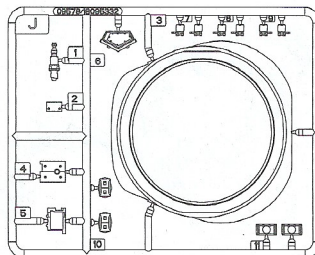
《铜线》
Brass wire



GP



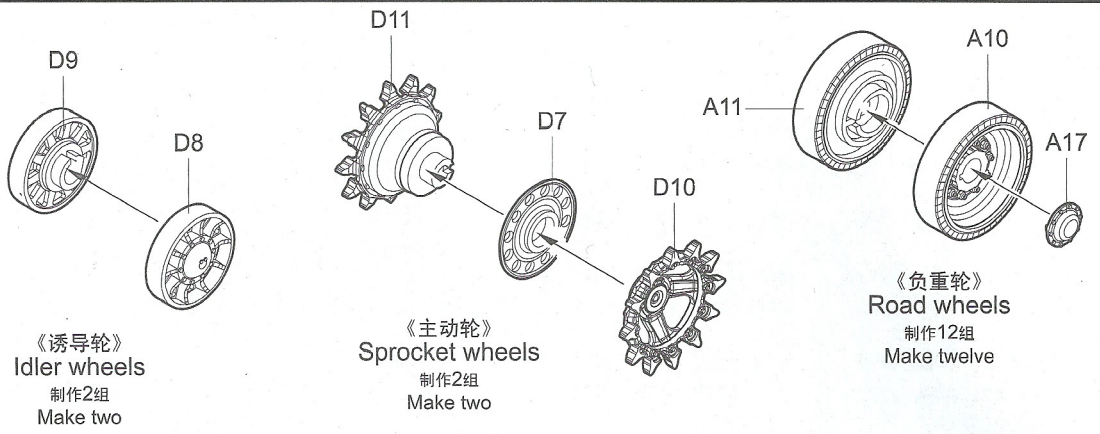
J



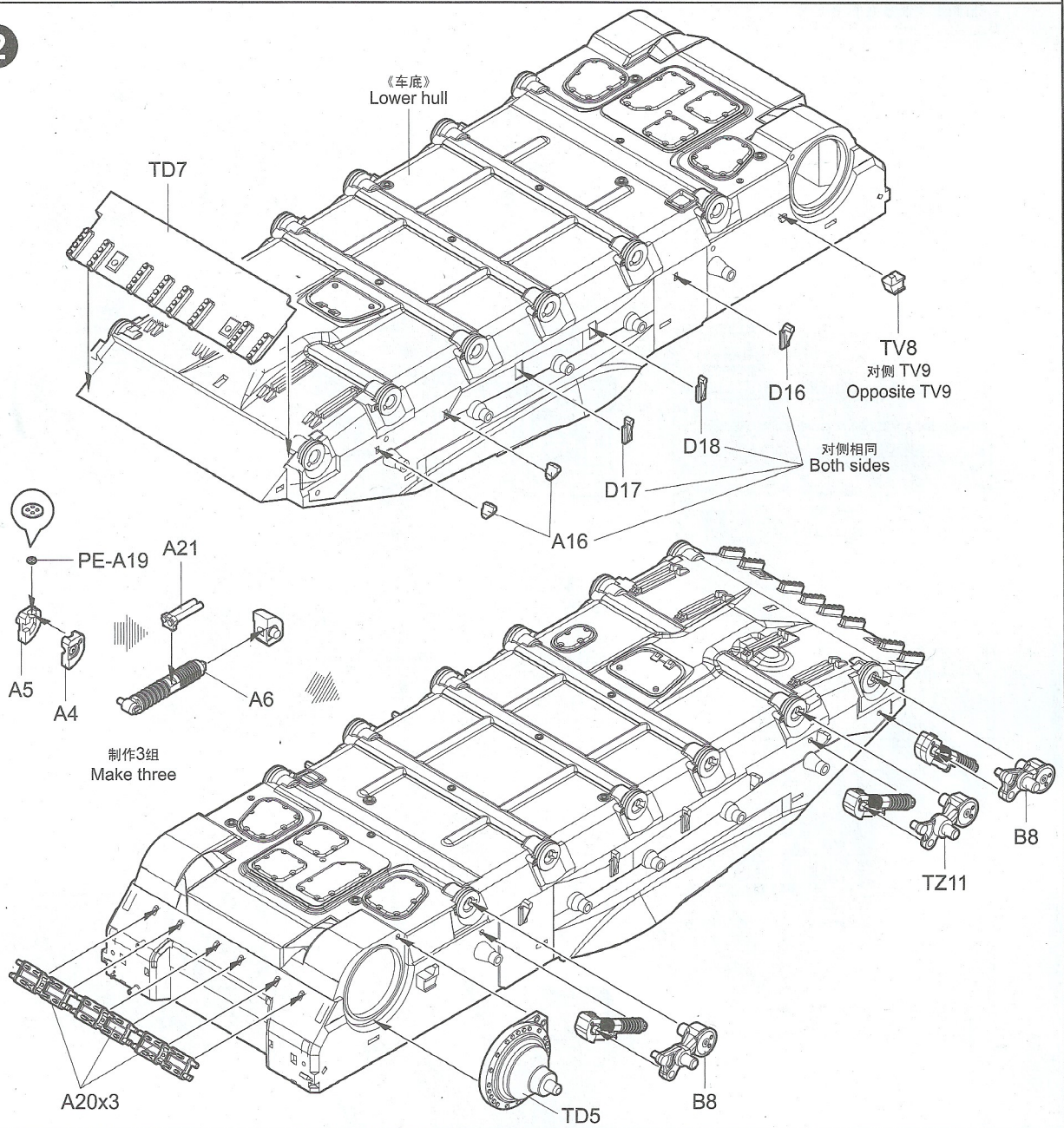
《水贴》
Decal

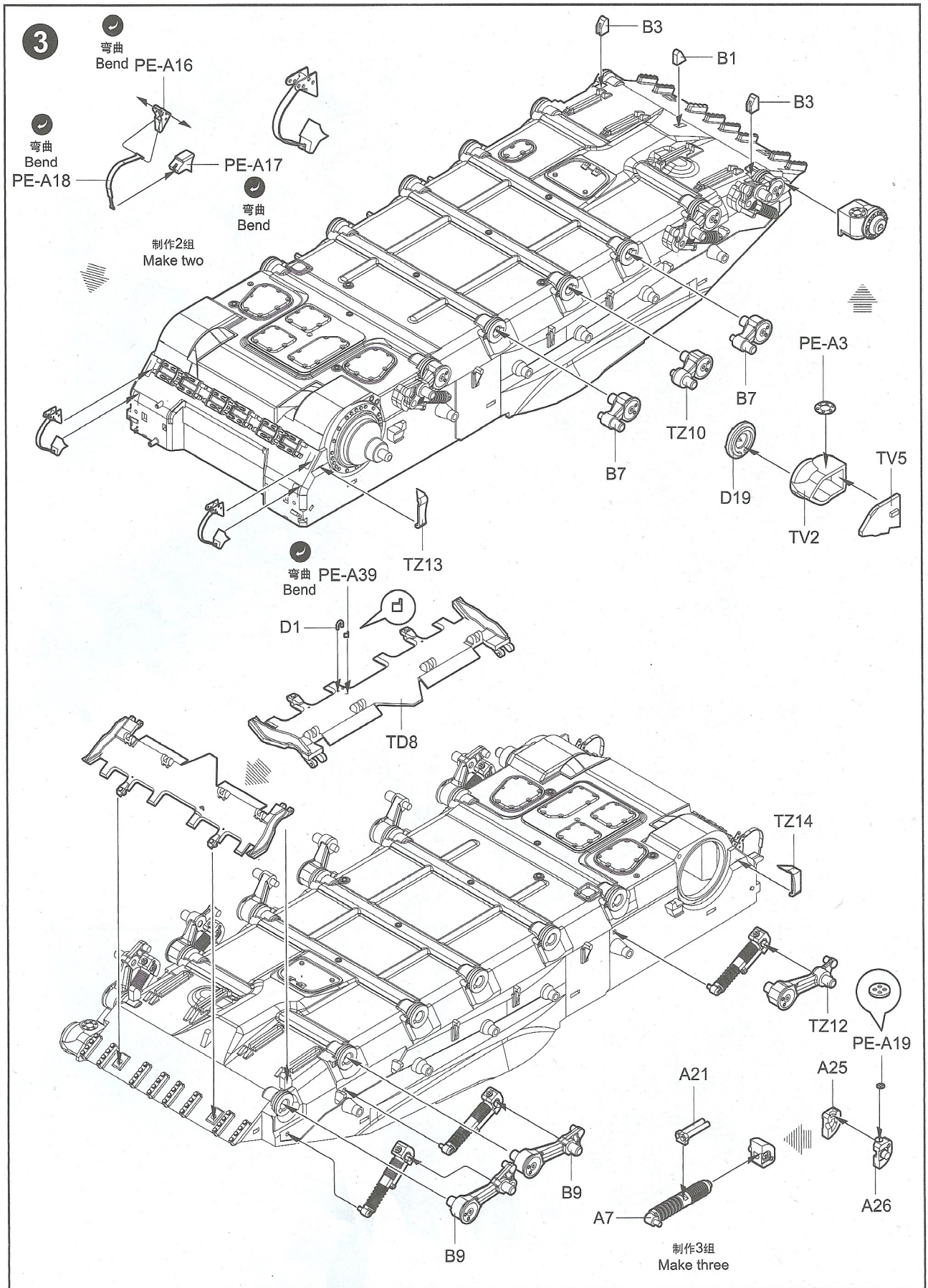


1

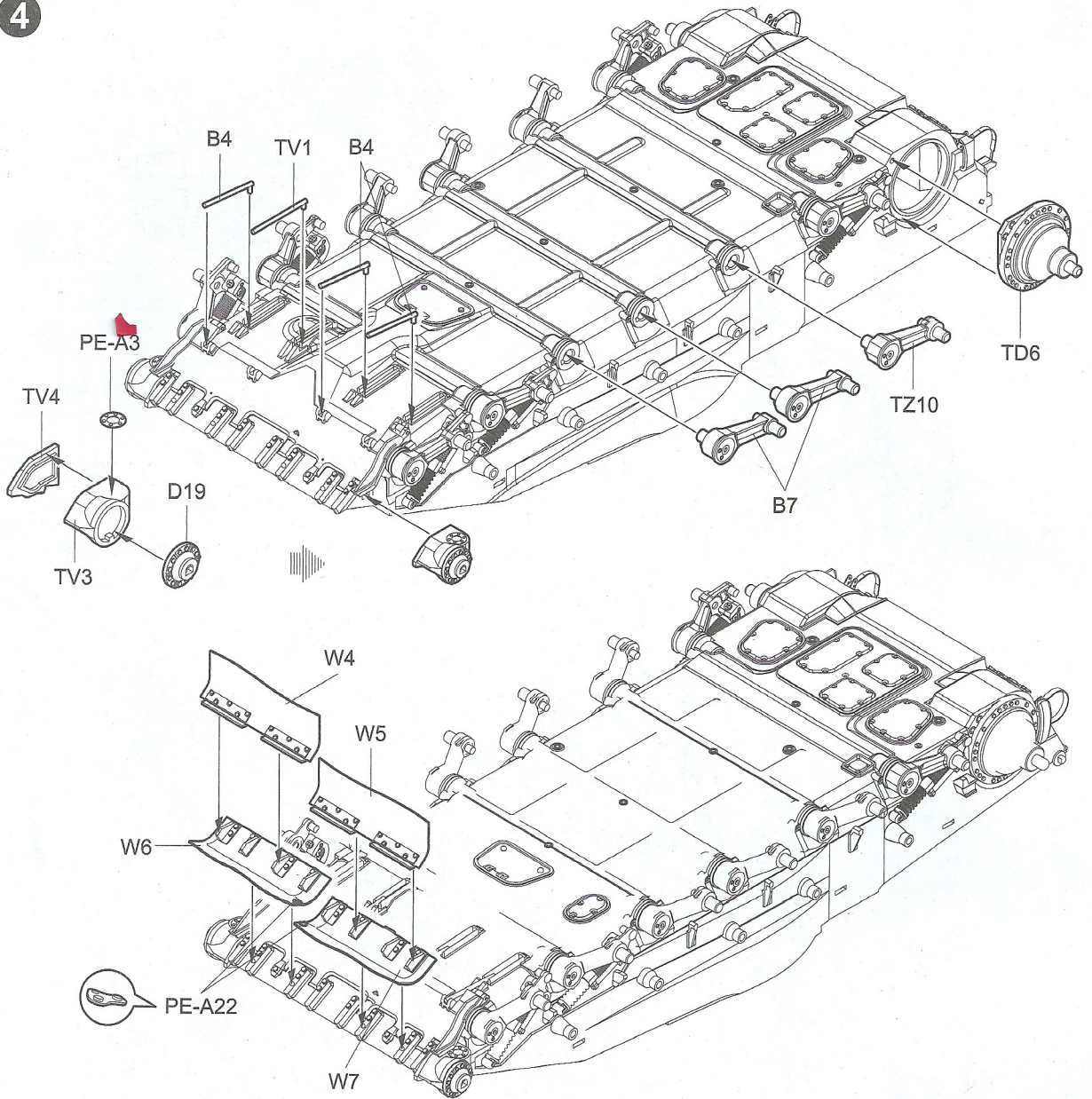


2

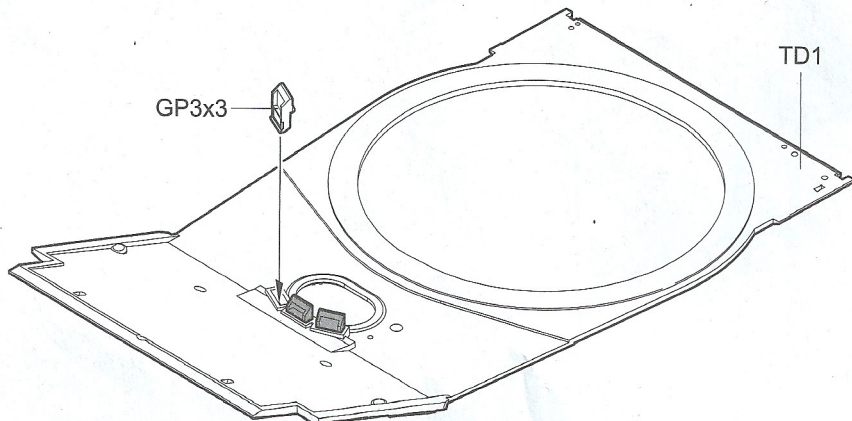




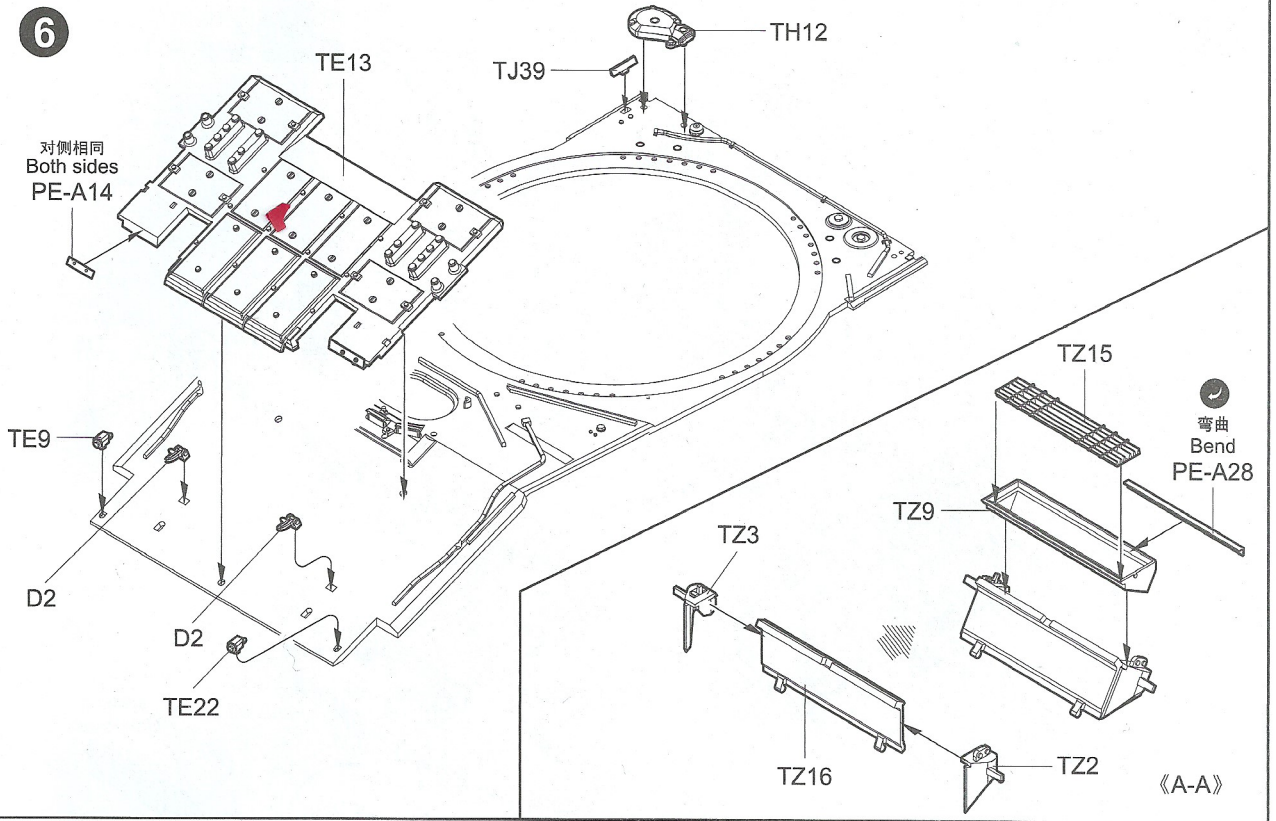
4



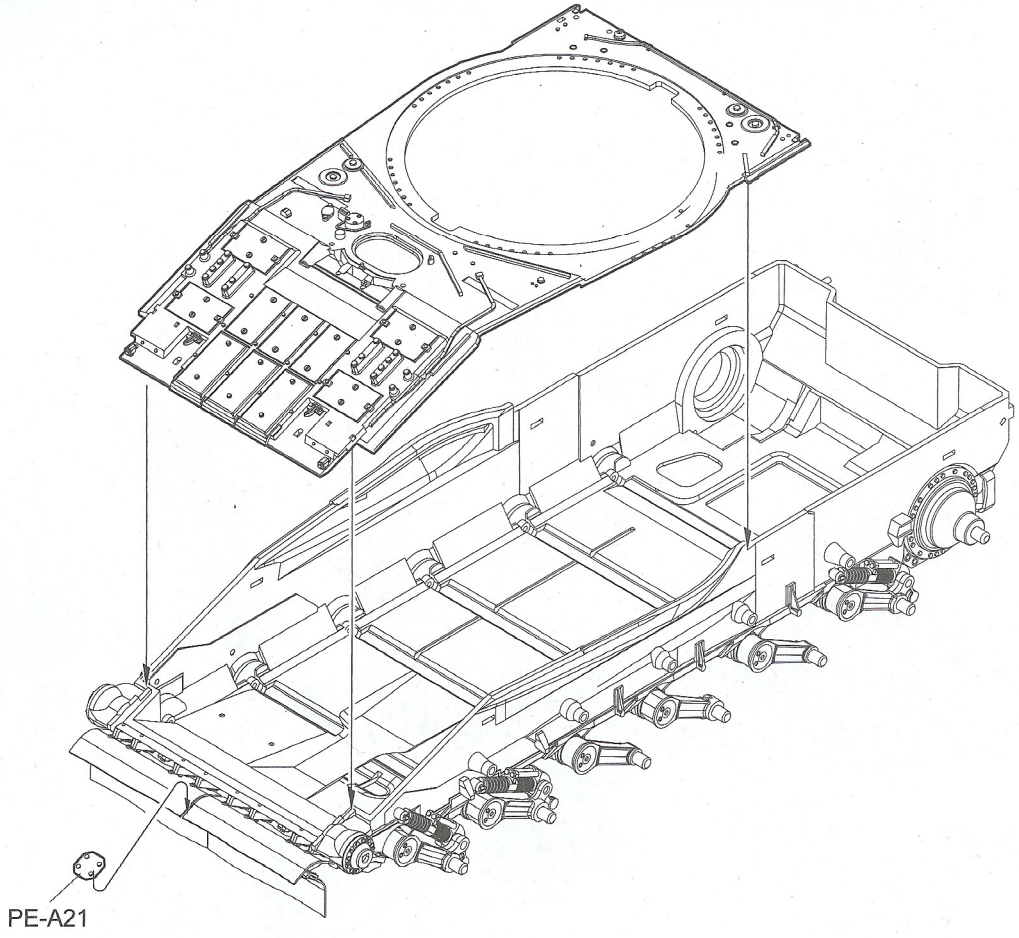
5

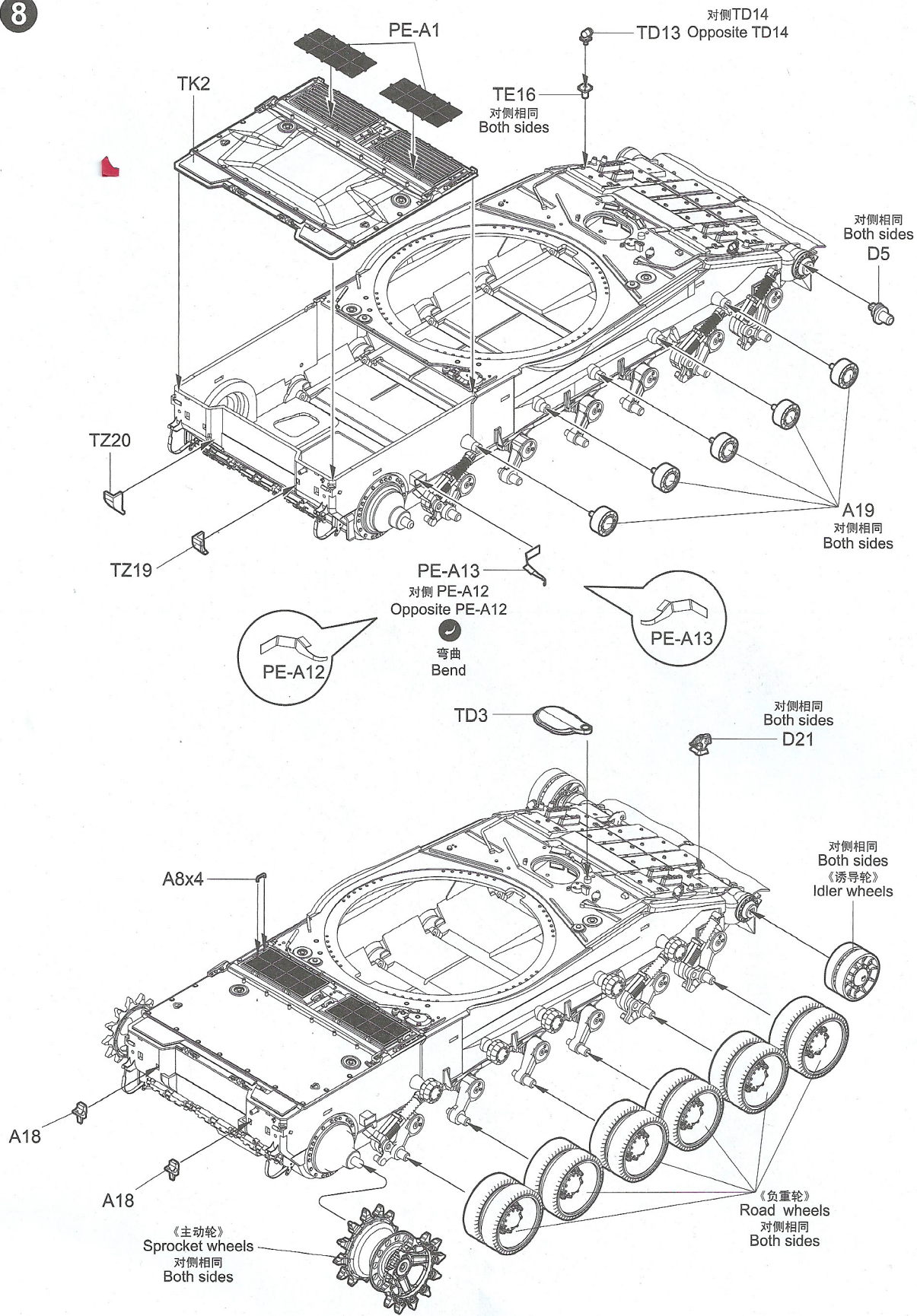


6



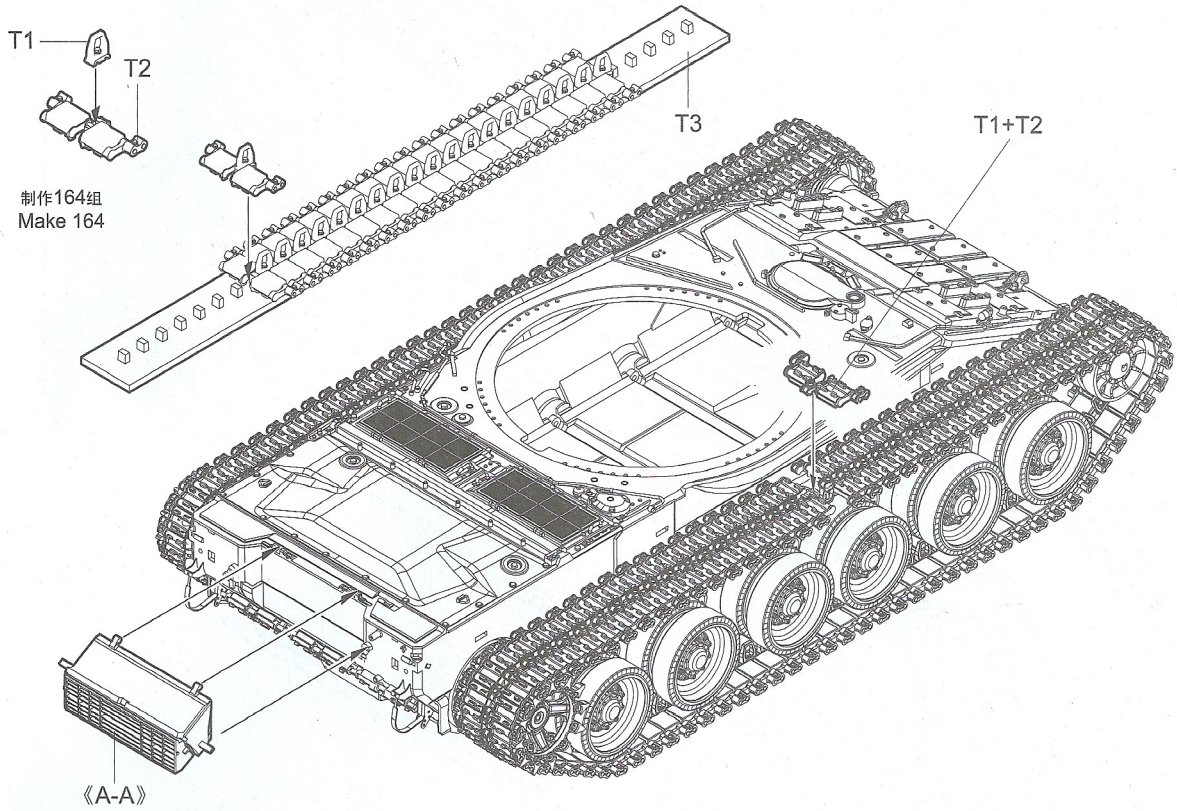
7



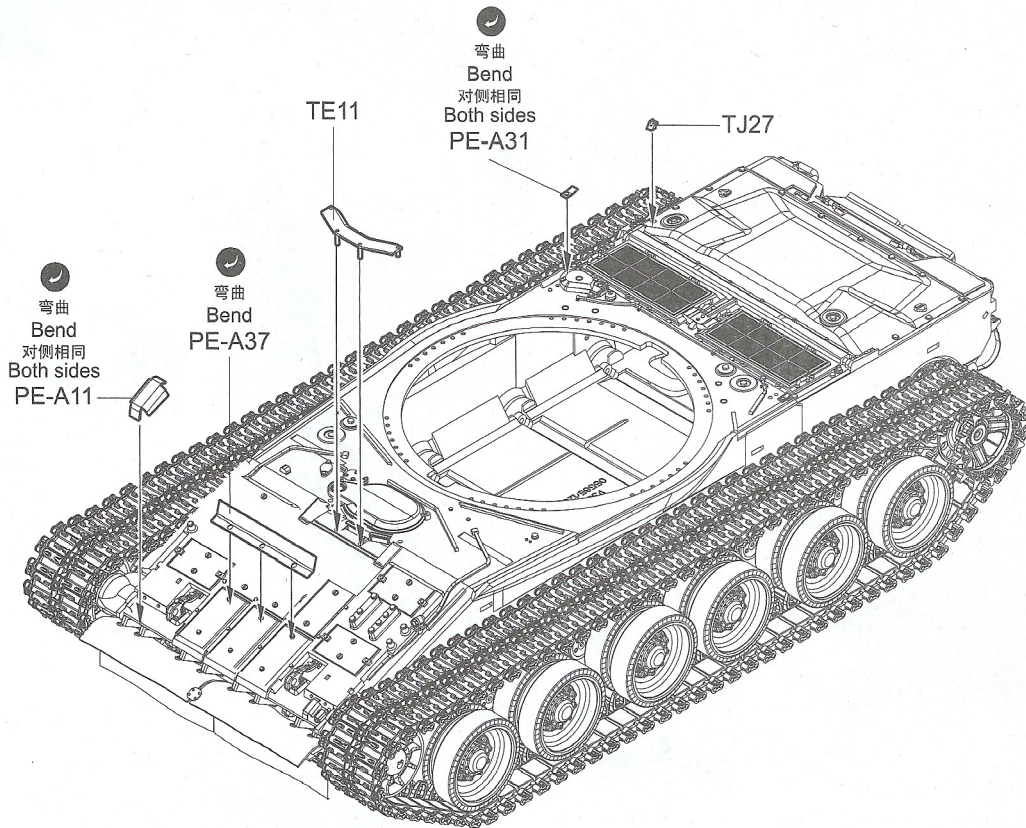


9

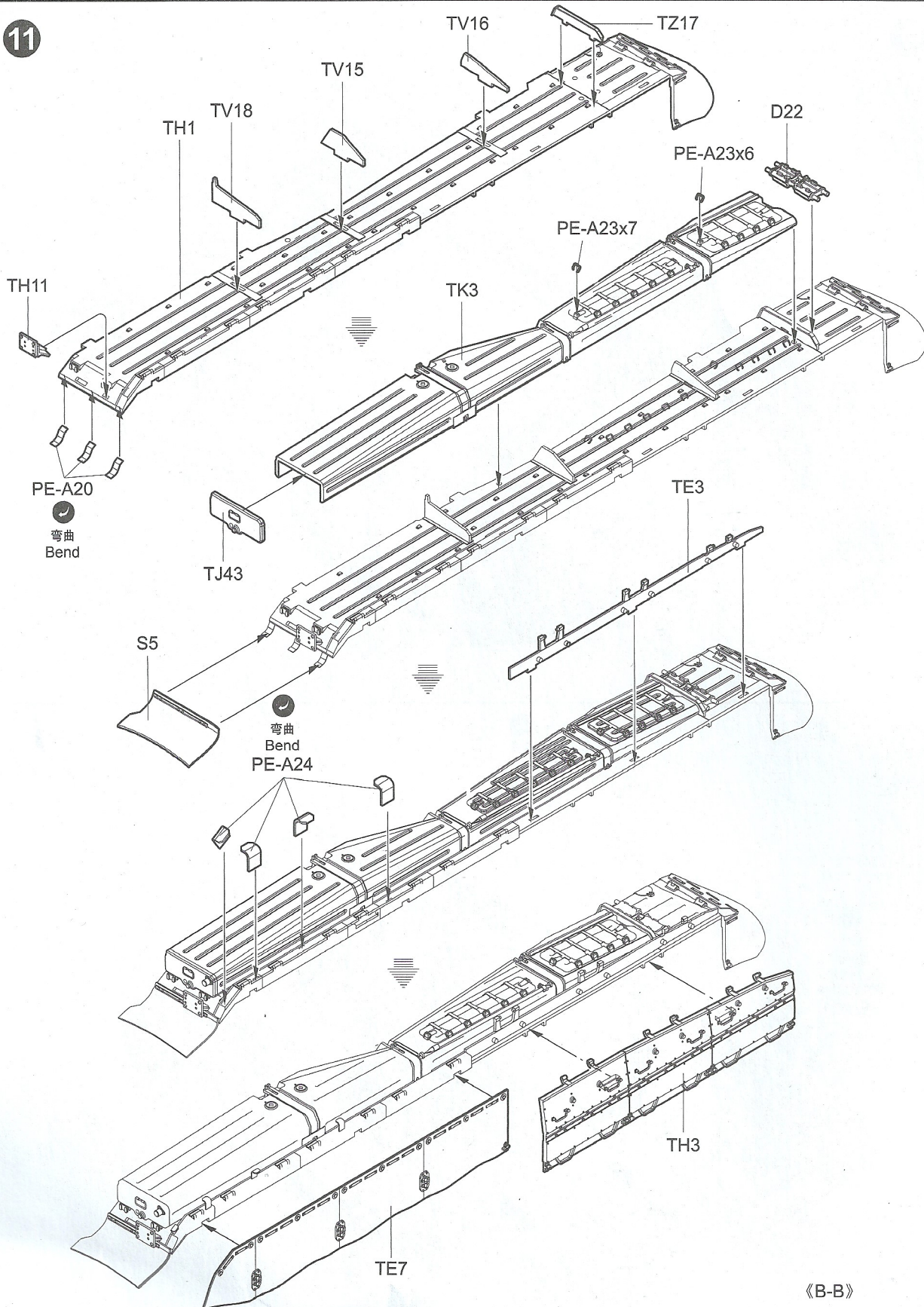
单侧履带约需要82节
Complete track for one side require 82 links.



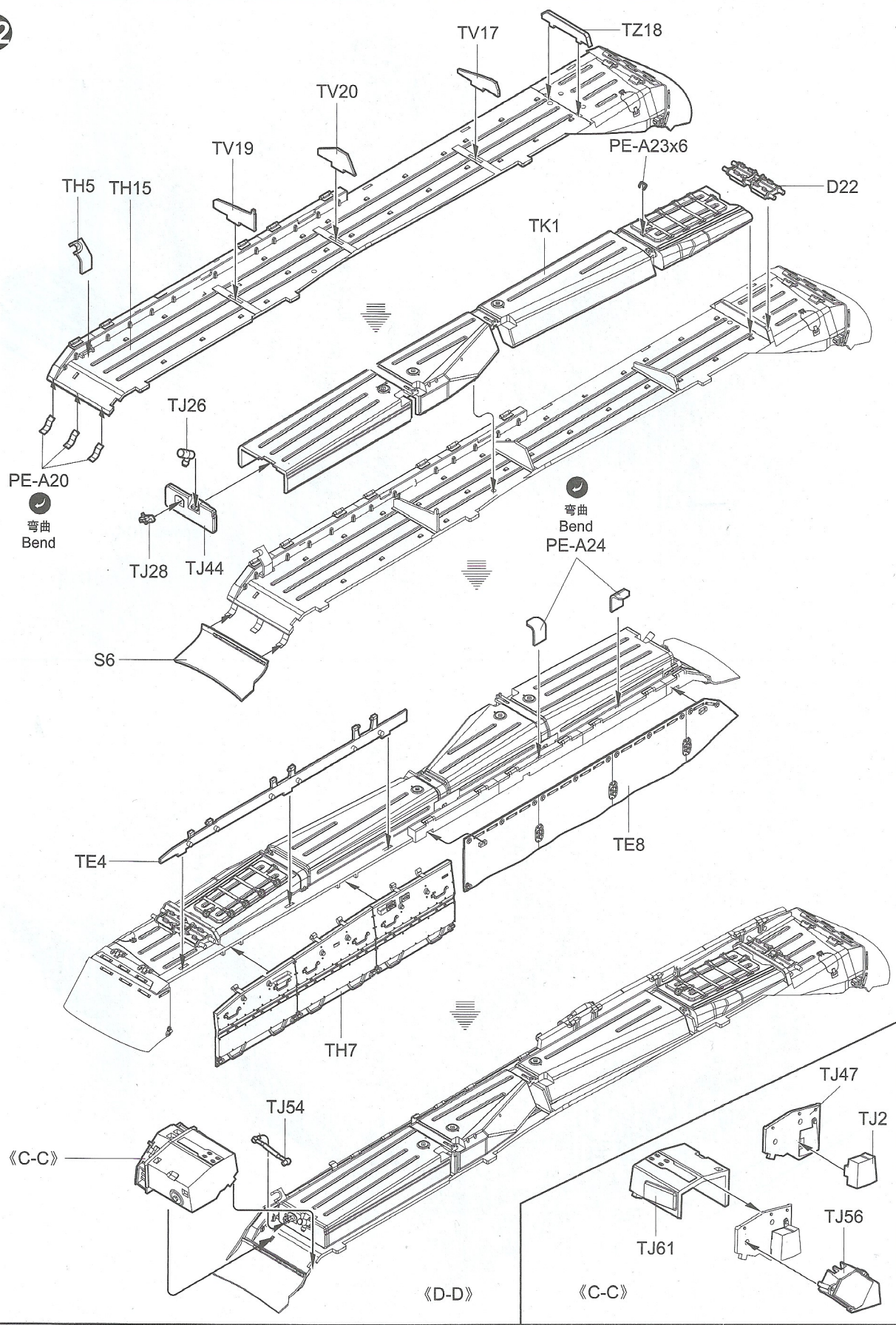
10



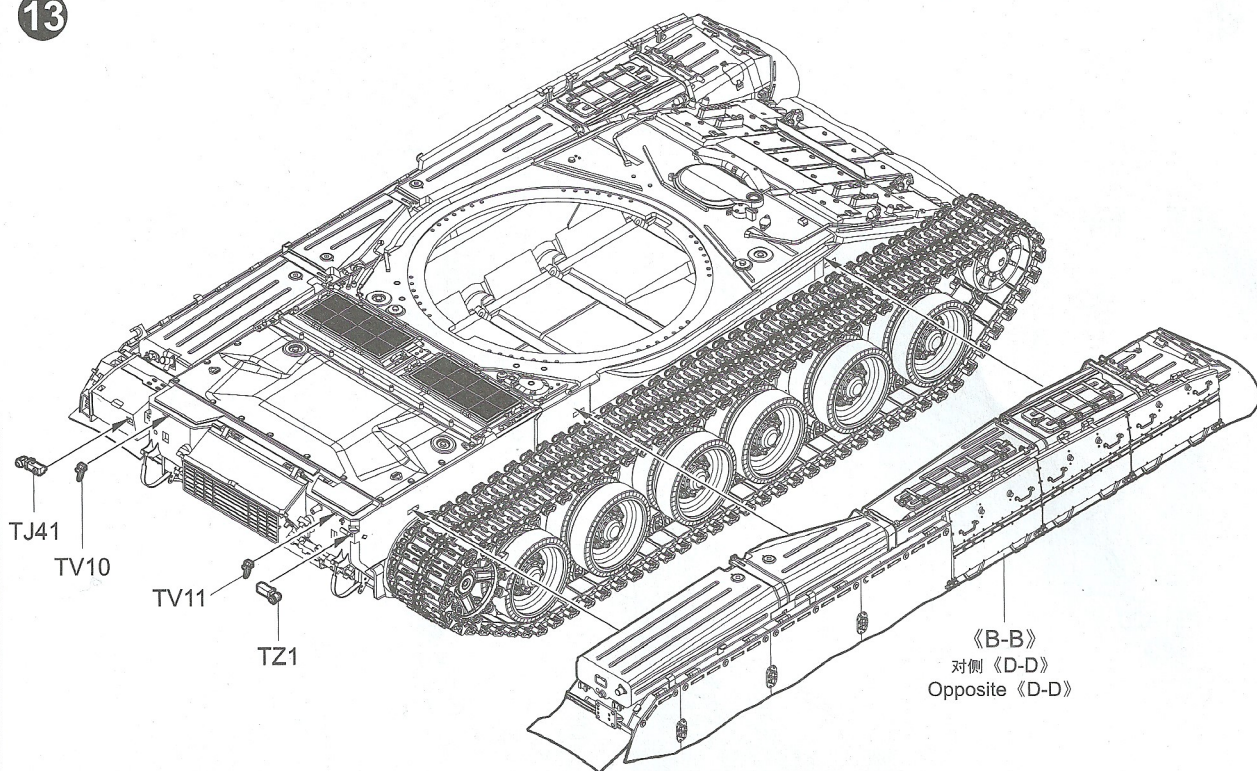
11



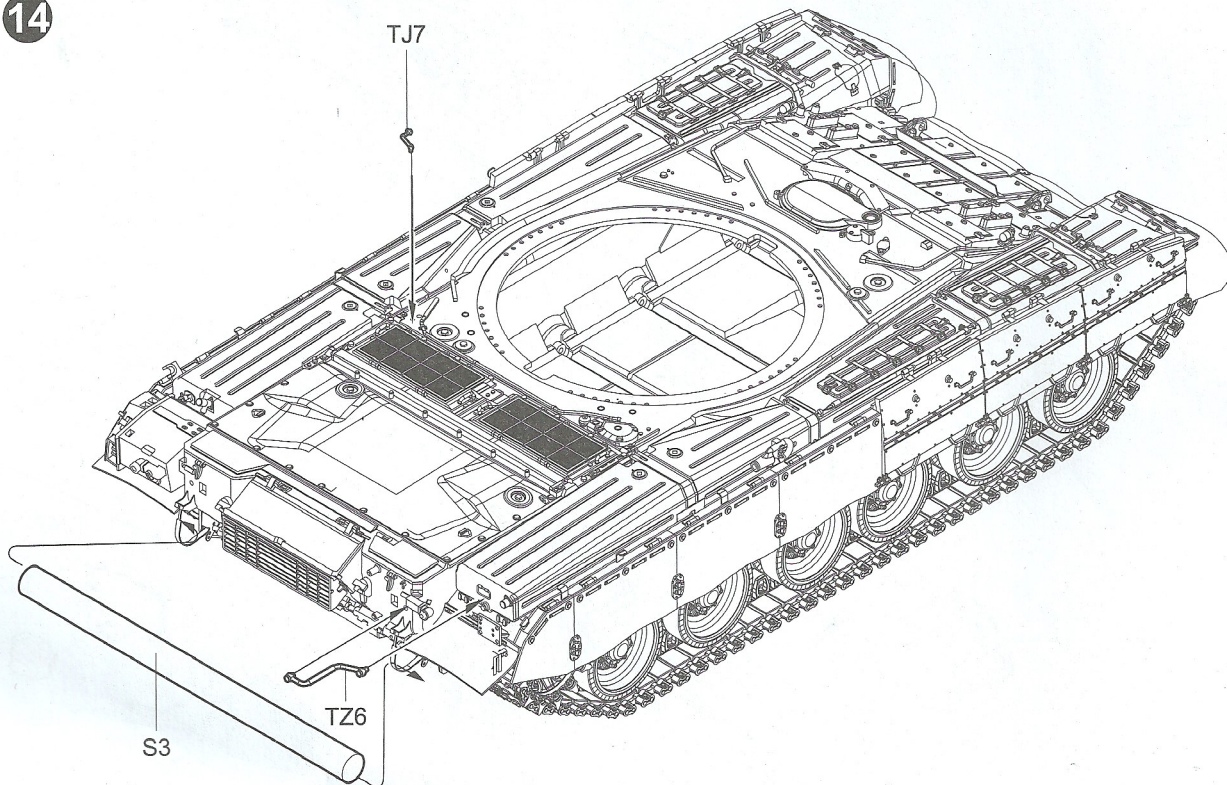
12



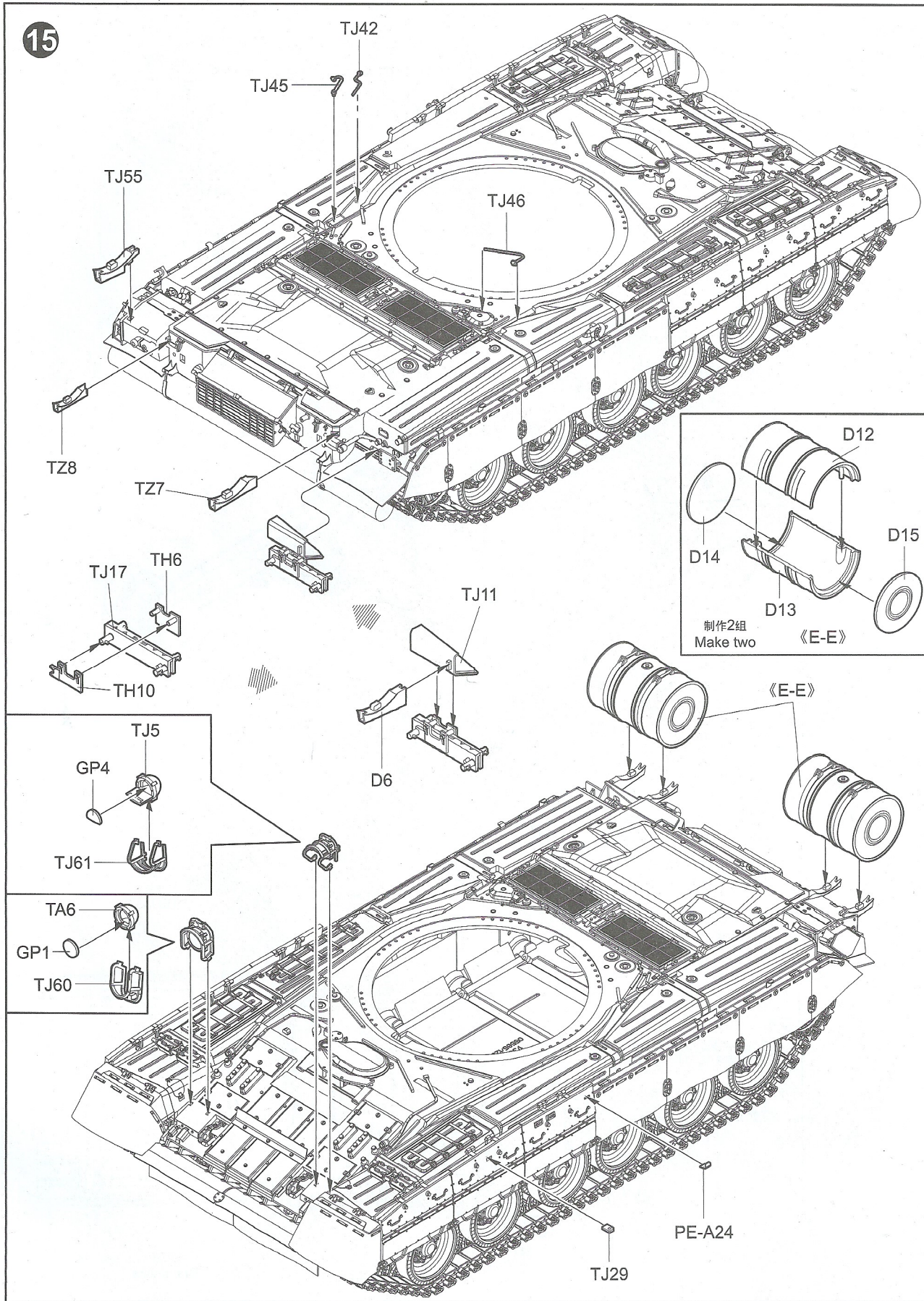
13



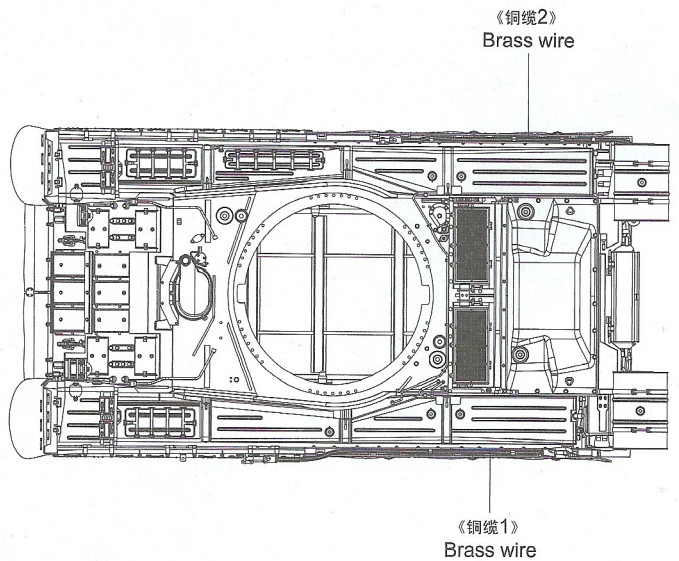
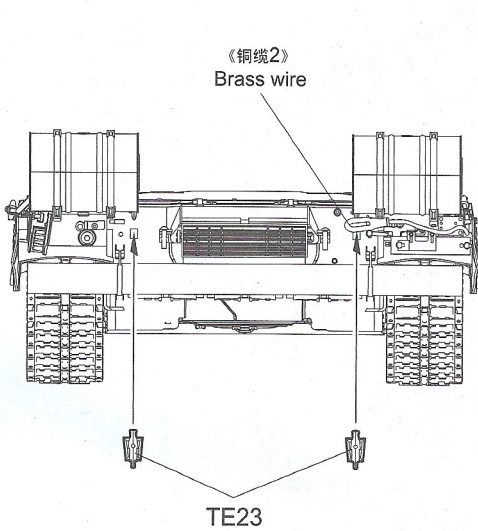
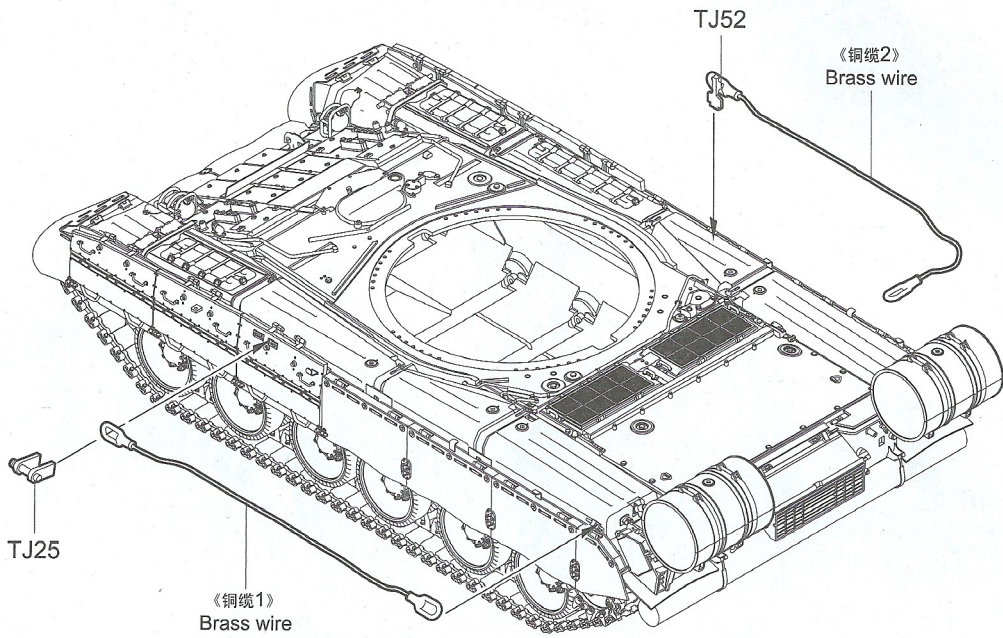
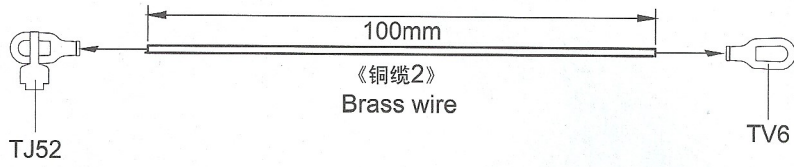
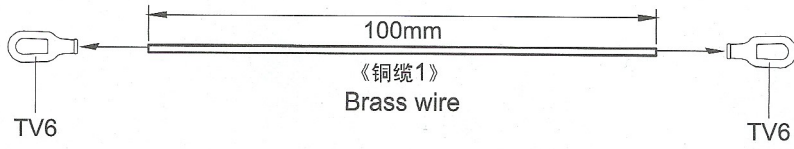
14



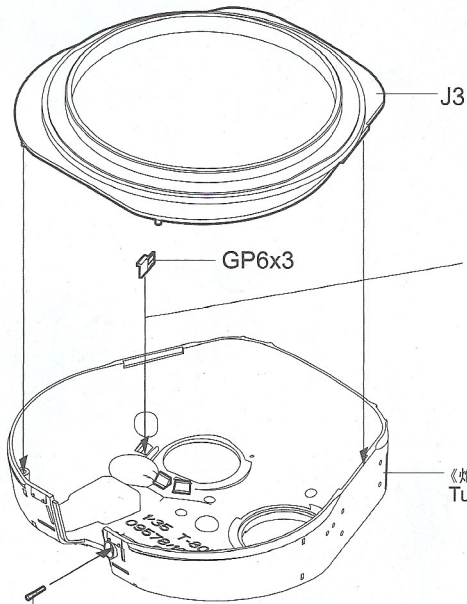
15



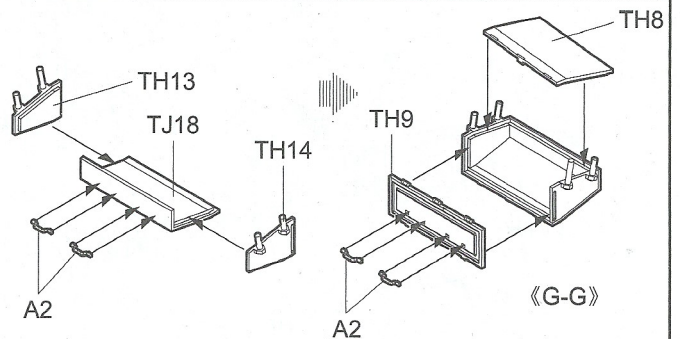
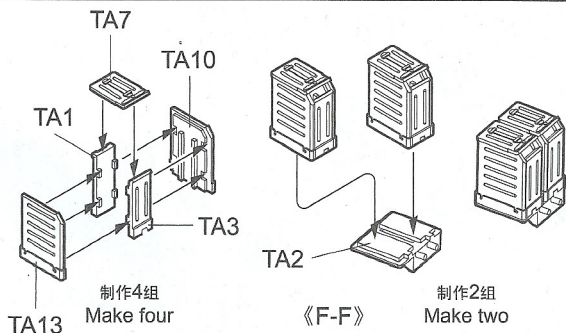
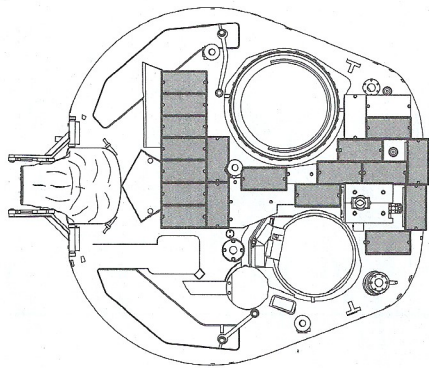
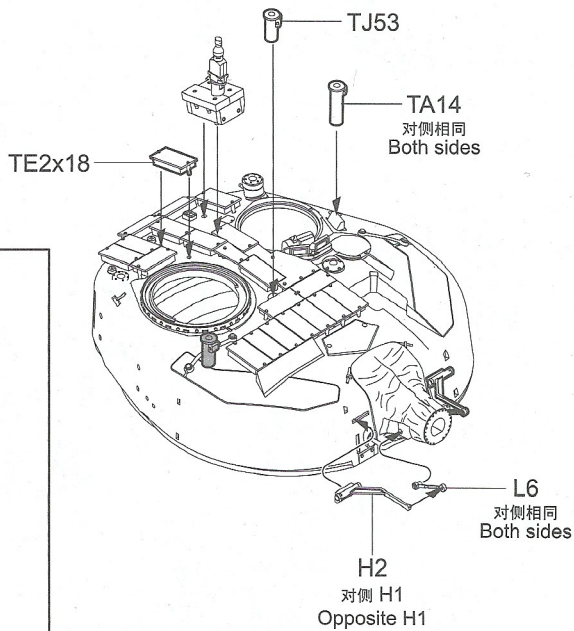
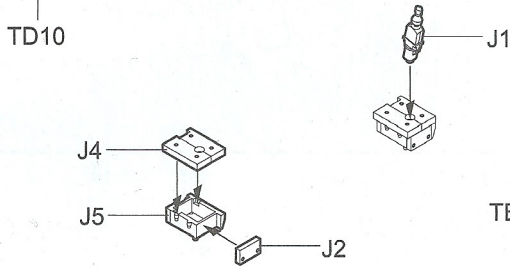
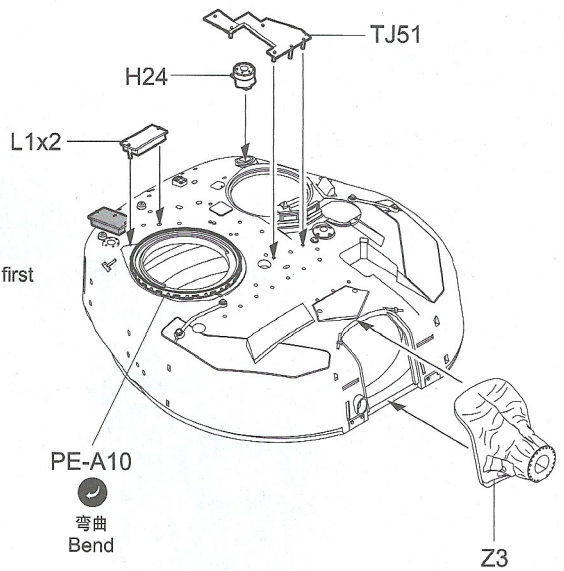
16



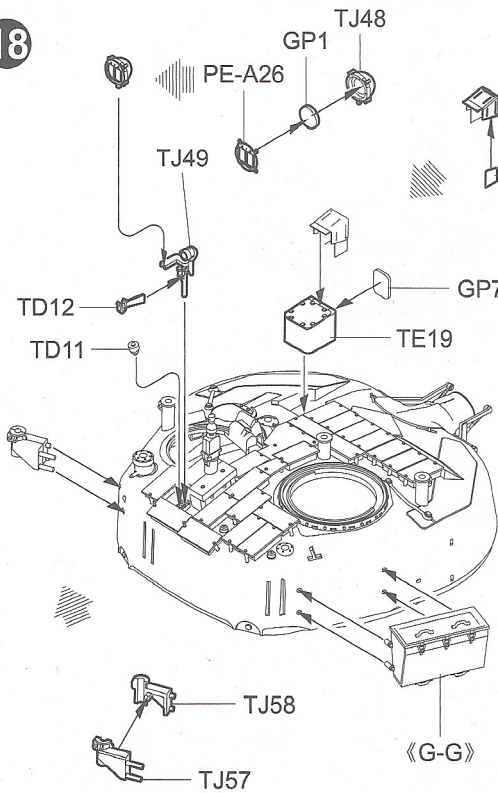
17



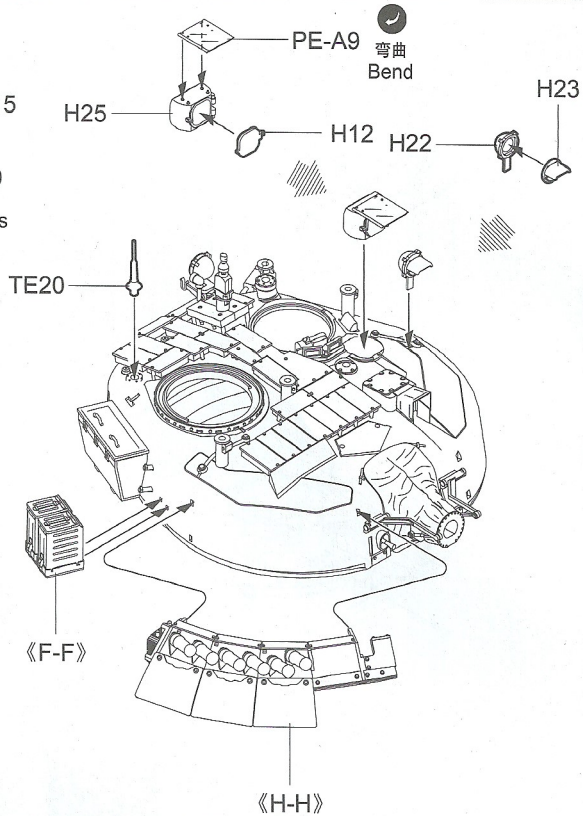
先装
Install it first



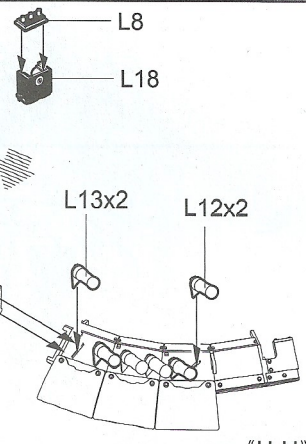
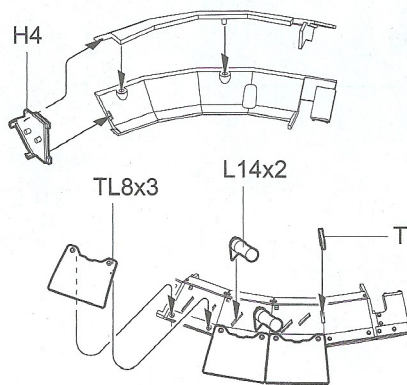
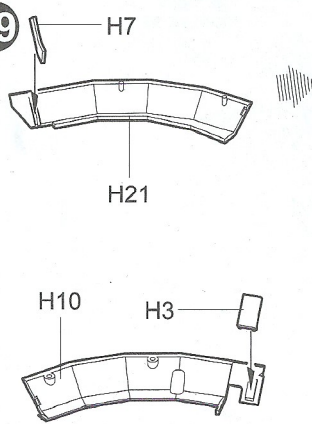
18



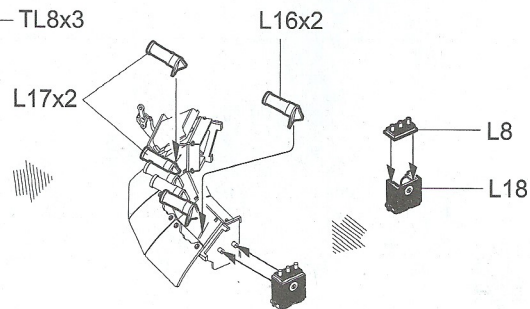
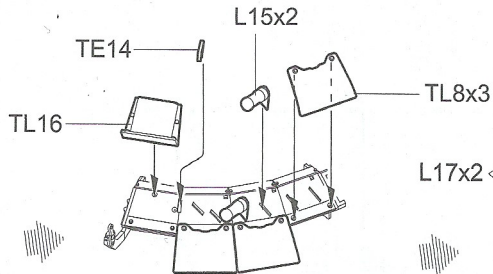
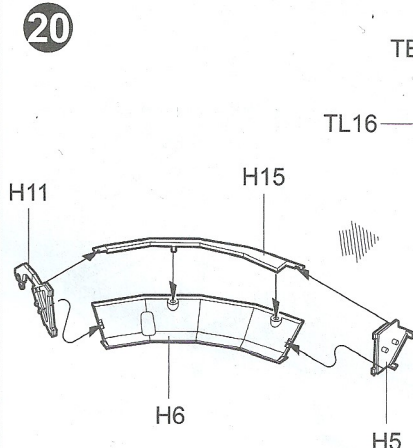
弯曲
Bend
PE-A15
PE-A29
对侧相同
Both sides

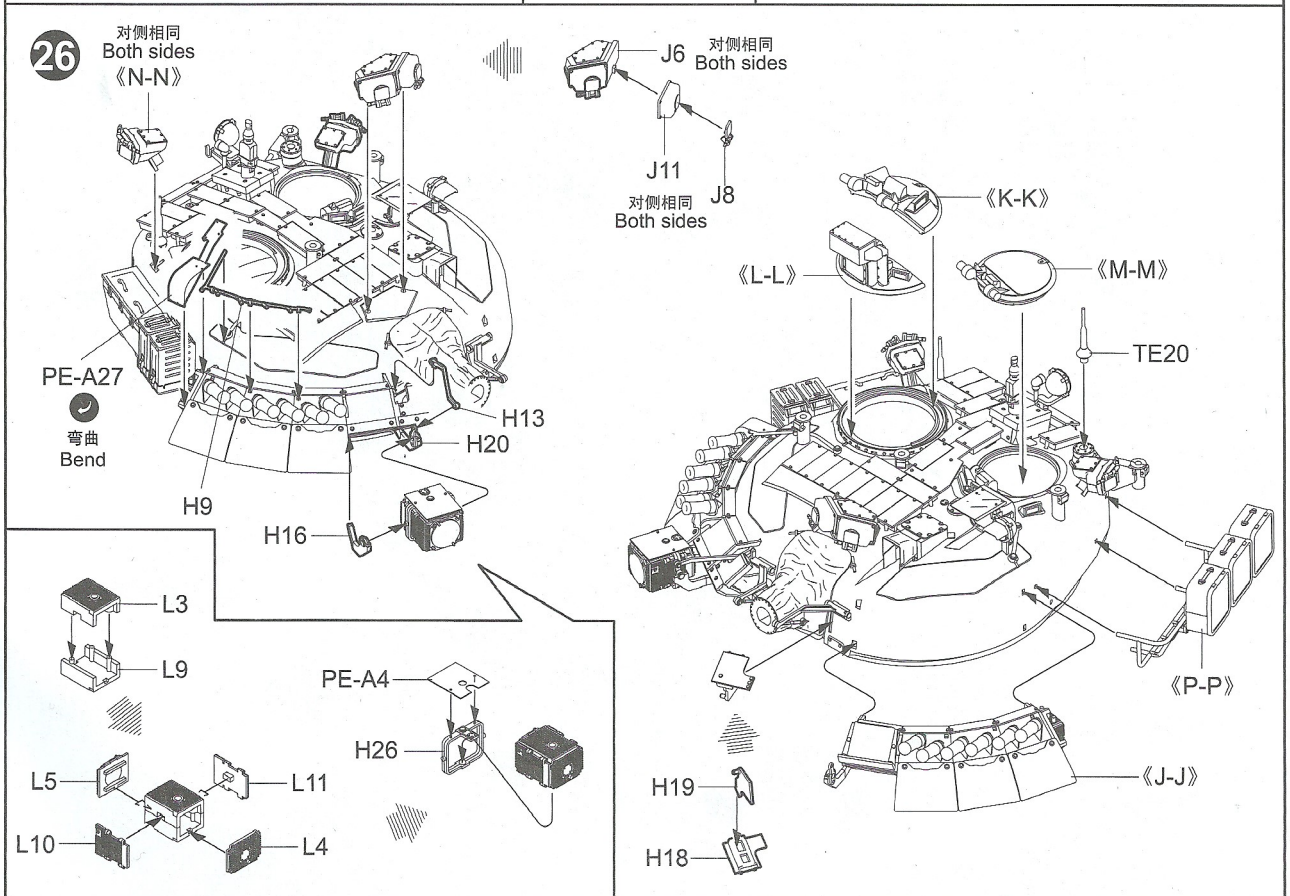
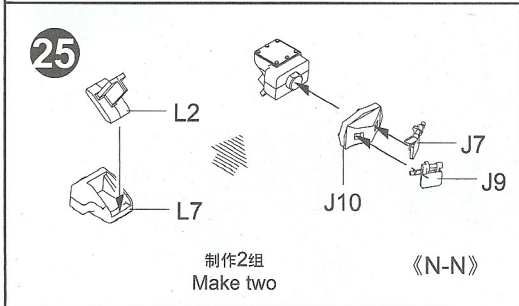
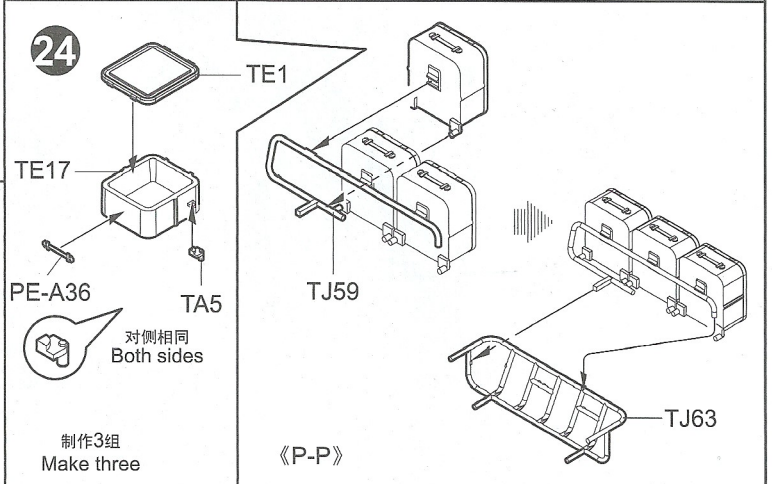
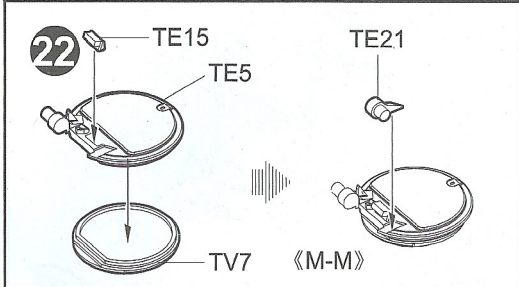
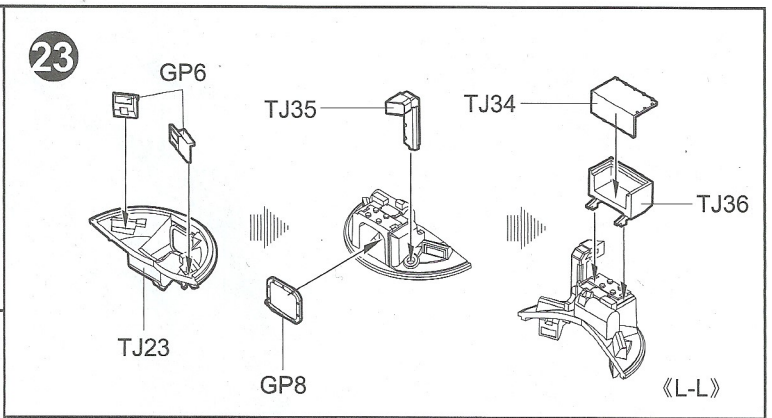
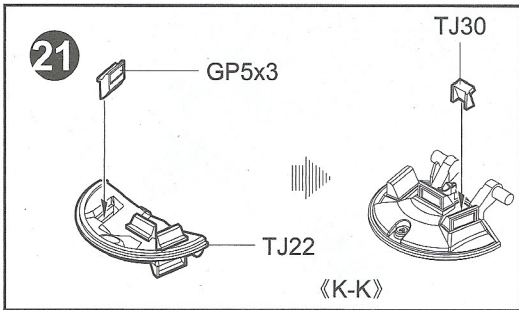


19

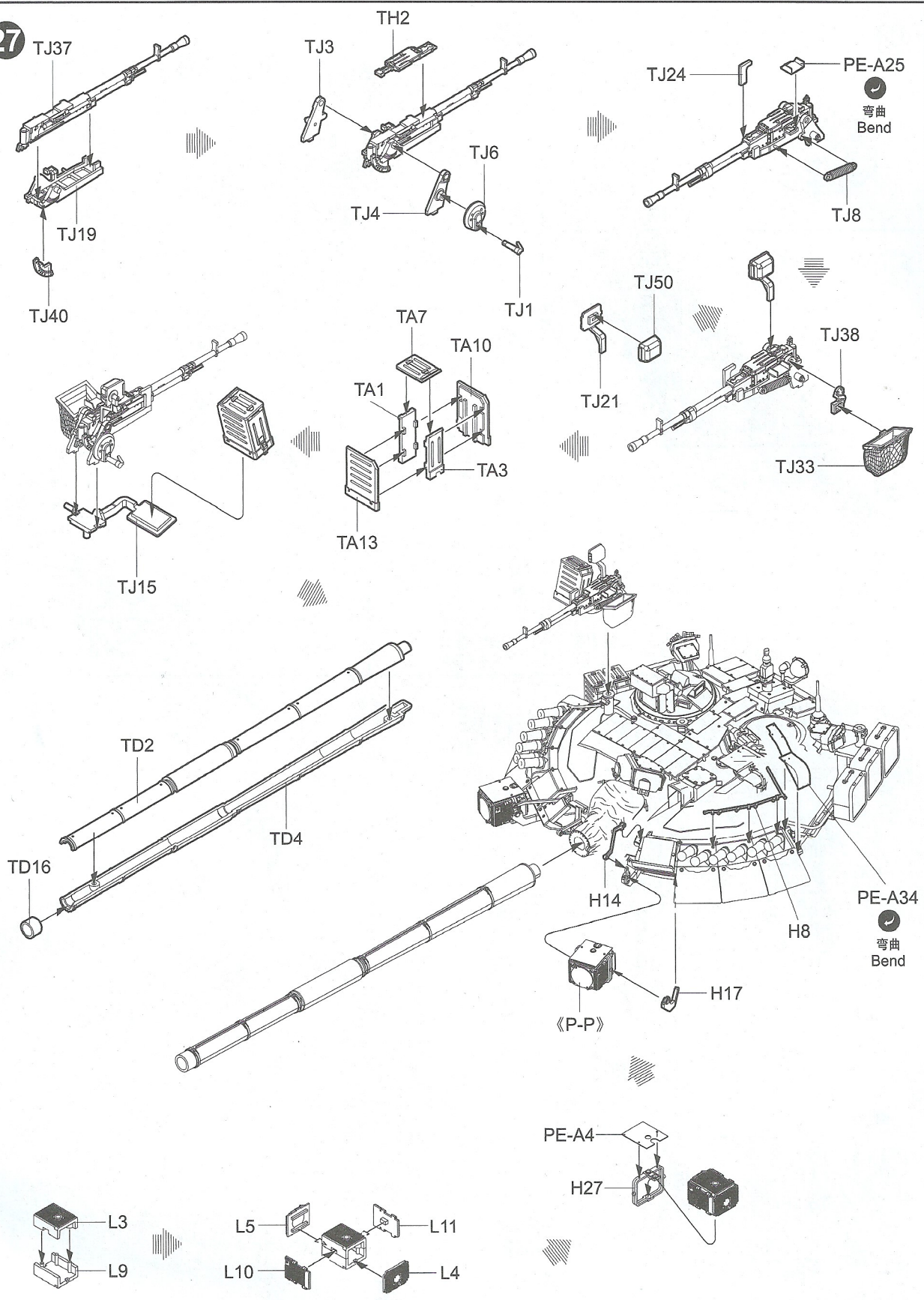


20

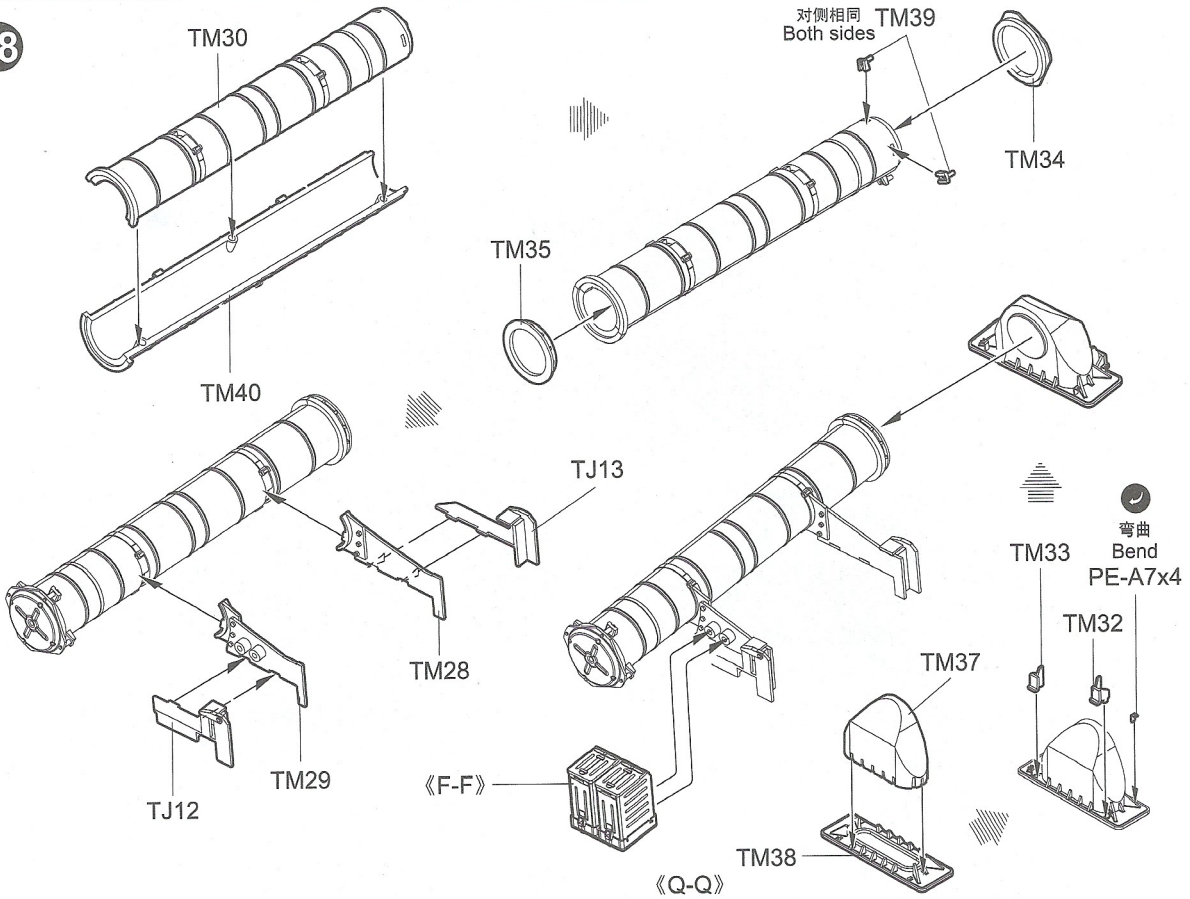




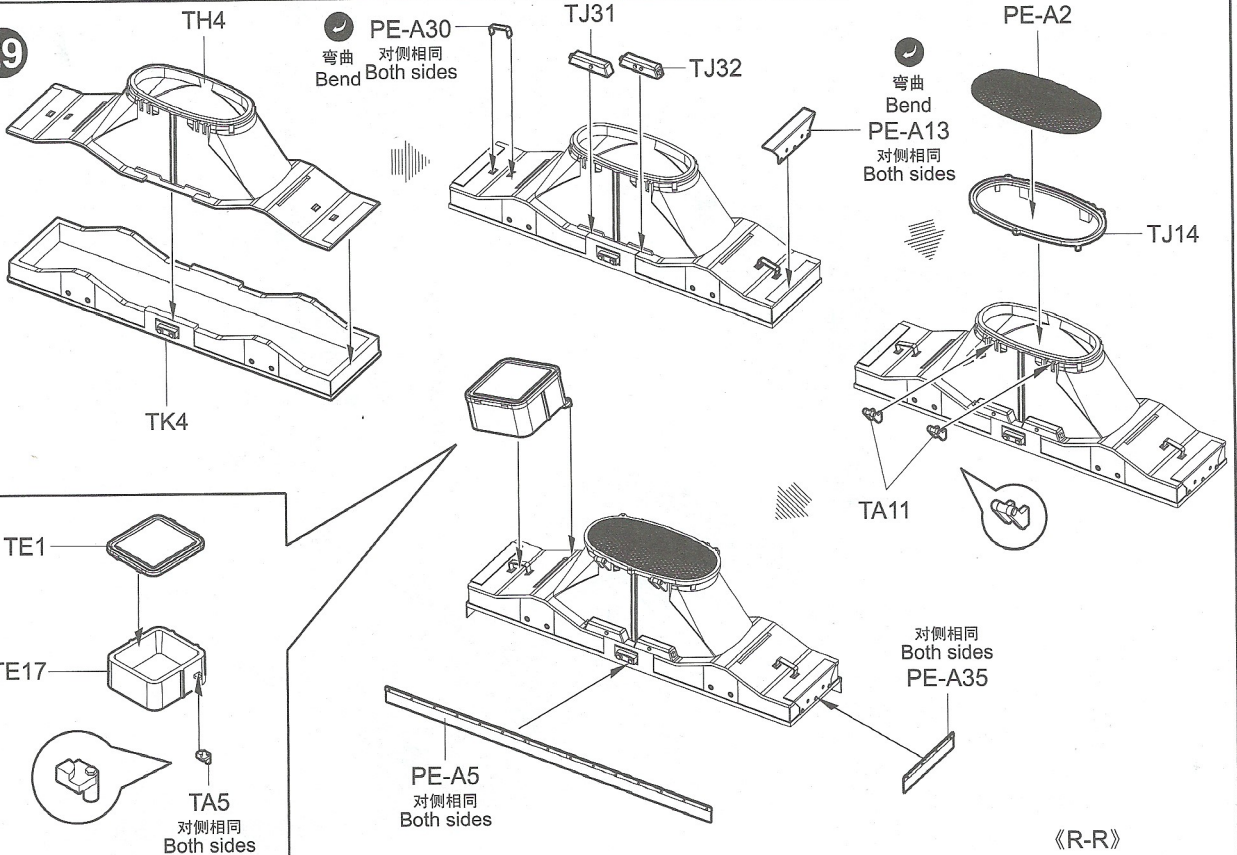
27



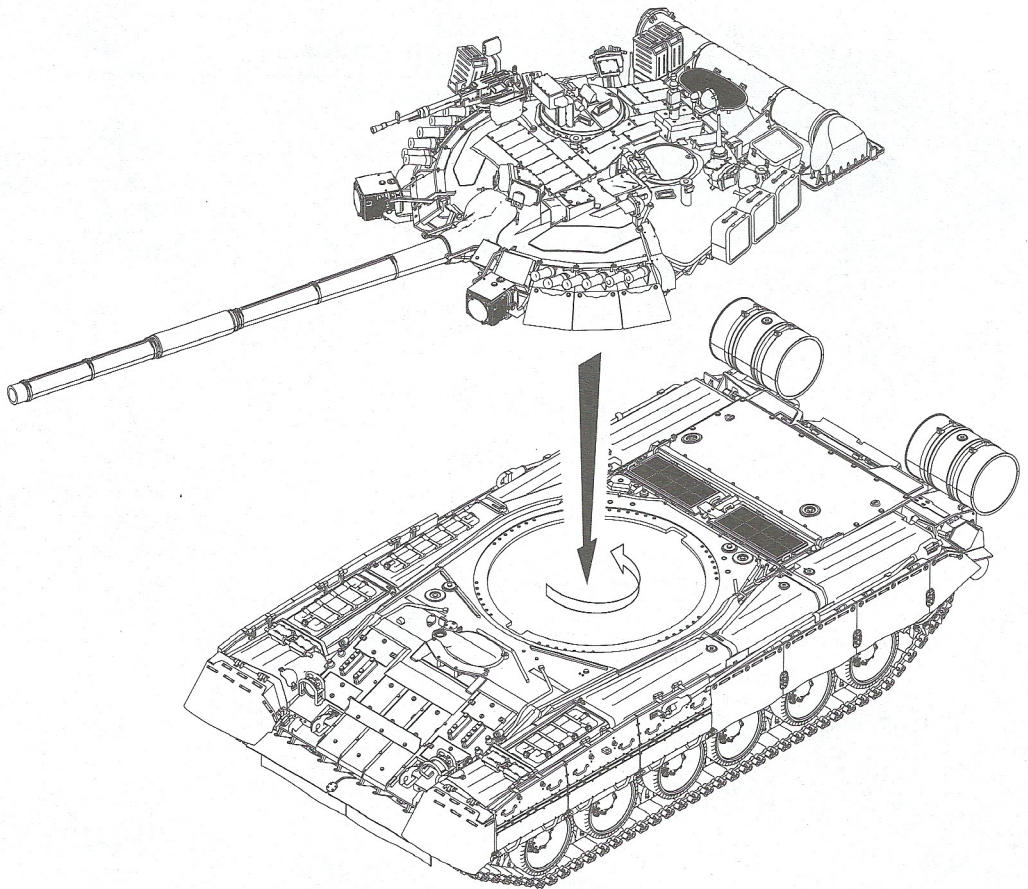
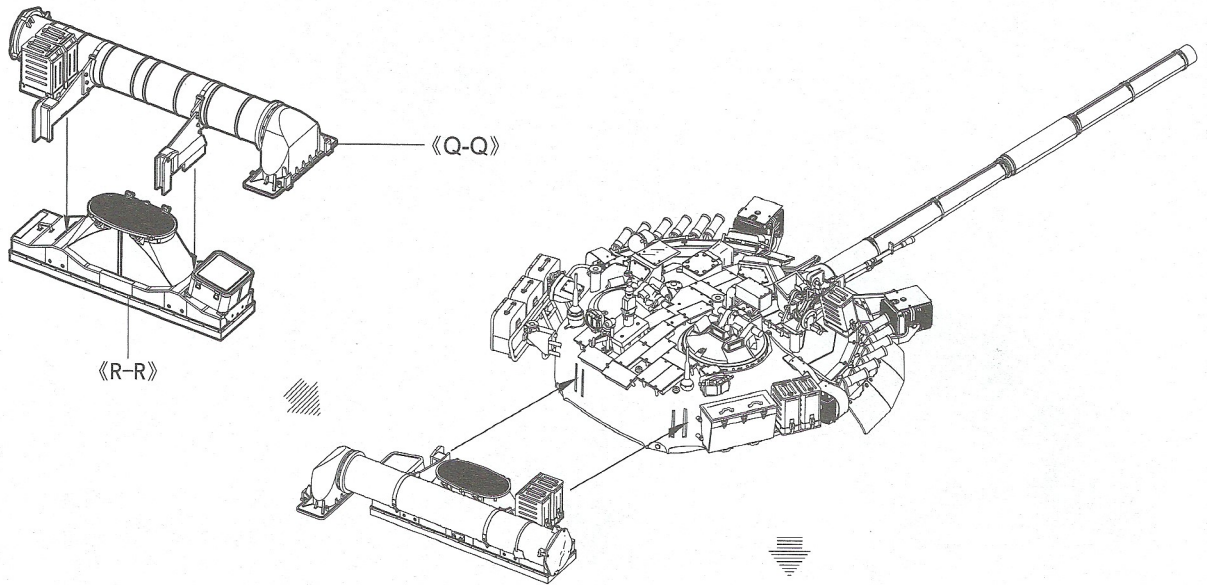
28



29



30



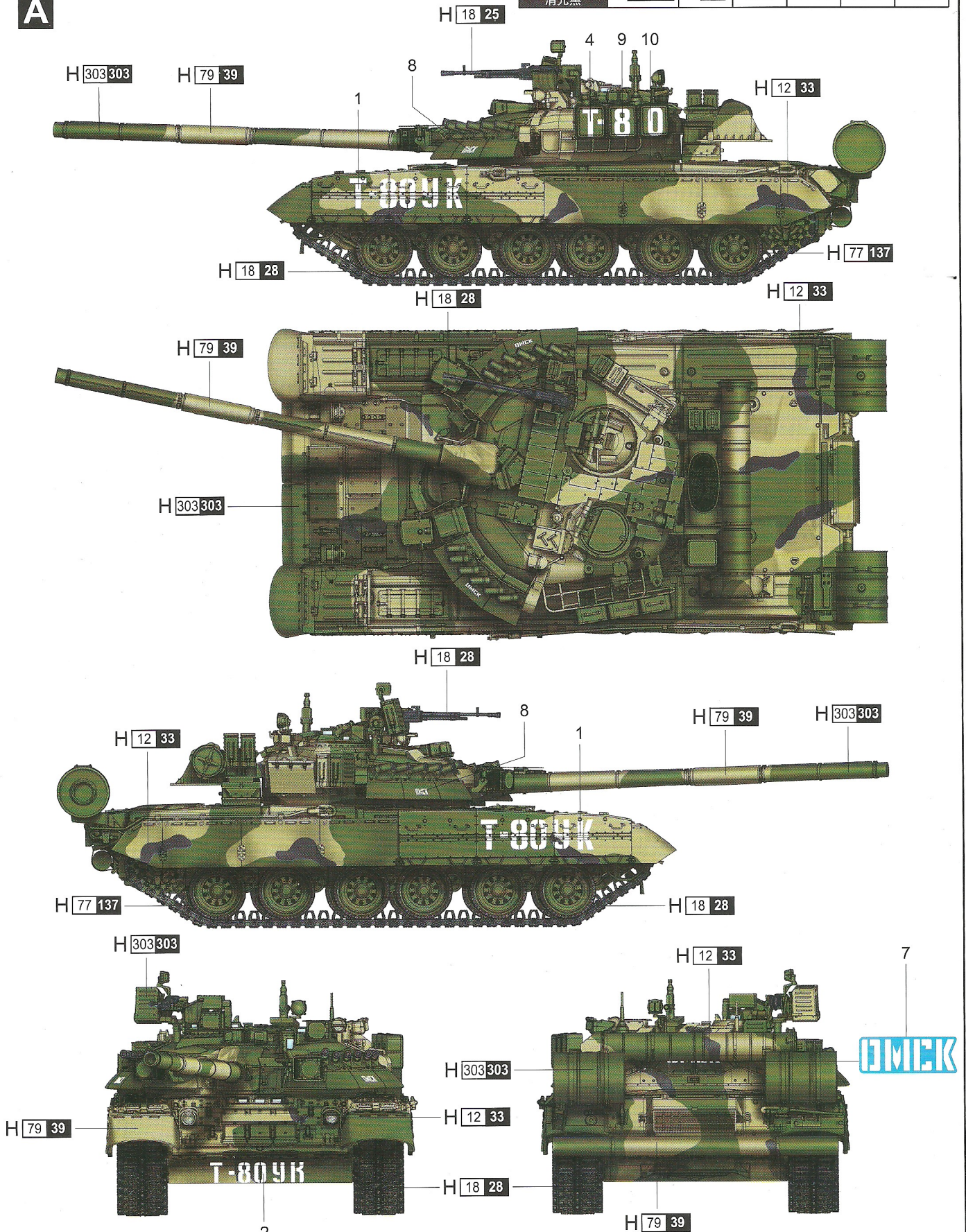
涂装同标贴指示

Painting & Marking guide

PAINT REFERENCE COLOR

Color	Mr.Hobby	Acrycion	Vallejo	Model Master	Tamiya	Humbrol
Light Green 绿色	H 303 303	N 303	—	1713	XF20	117
Sandy Yellow/Dark Yellow 砂黄色	H 79 39	N 79	824	—	XF59	93
Flat Black 消光黑	H 12 33	N 12	950	1749	XF1	33

A



H AQUEOUS HOBBY COLOR Mr. COLOR N ACRYSION COLOR

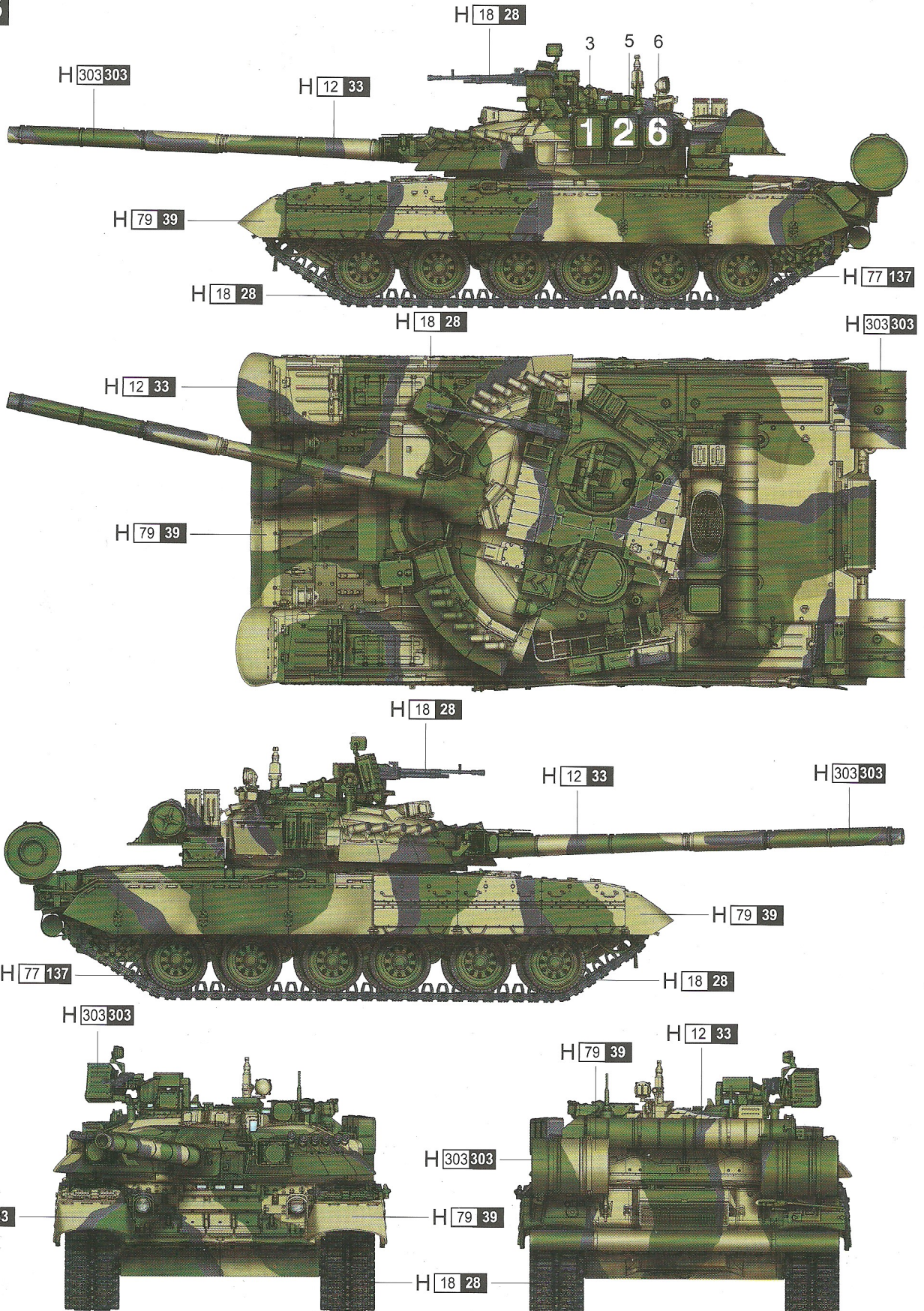
涂装同标贴指示

Painting & Marking guide

PAINT REFERENCE COLOR

Color	Mr.Hobby	Acrycion	Vallejo	Model Master	Tamiya	Humbrol
Steel 黑铁色	H 18 28	N 18	864	1402	—	—
Tire Black 胎黑色	H 77 137	N 77	—	—	—	—

B



H AQUEOUS HOBBY COLOR Mr. COLOR N ACRYCION COLOR