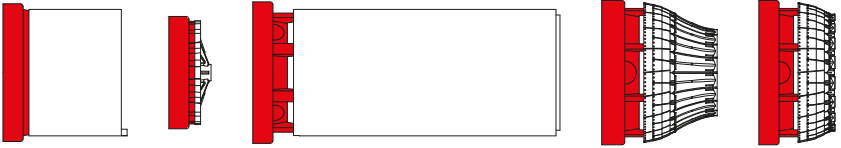
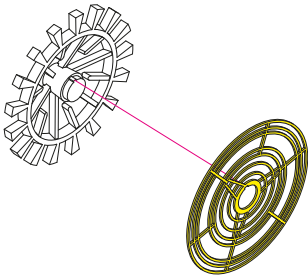


1

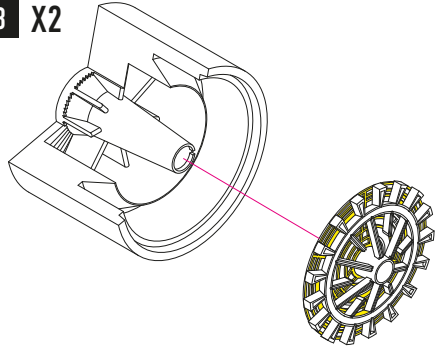
CUT



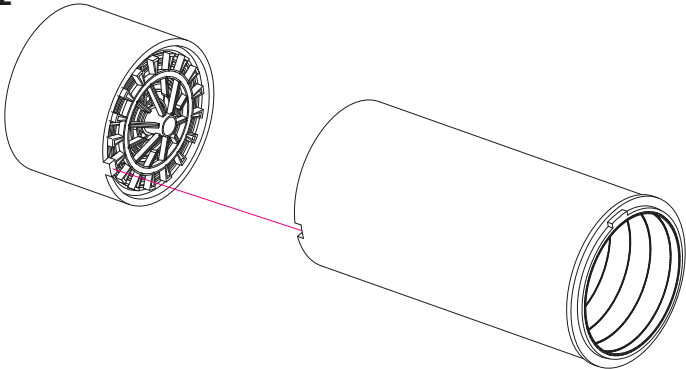
2 X2



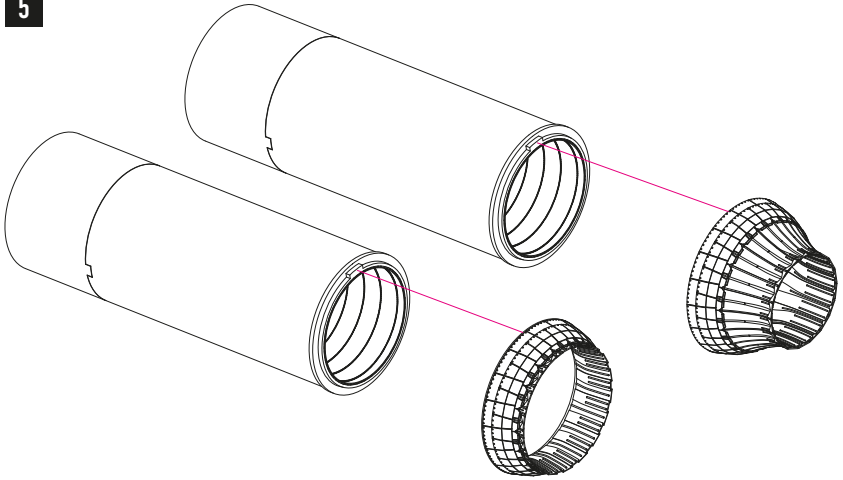
3 X2



4 X2



5



6

