

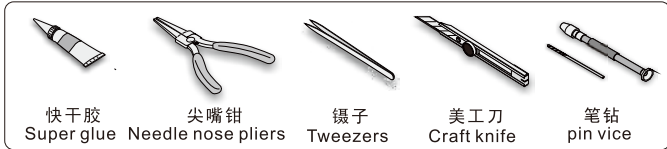
1/35 MILITARY MINIATURE VEHICLE UPGRADE SERIES PE35449

WWII US 3inch M5 ATG/w M1 or 105mm Howitzer M2A1 Carriage 2in1

二战美军M5 3吋榴弹炮 (M1 炮架) / M2A1 105mm 榴弹炮 2选1改造件

[For AFV CLUB 35S64/35160]

推荐使用工具 RECOMMENDED TOOLS



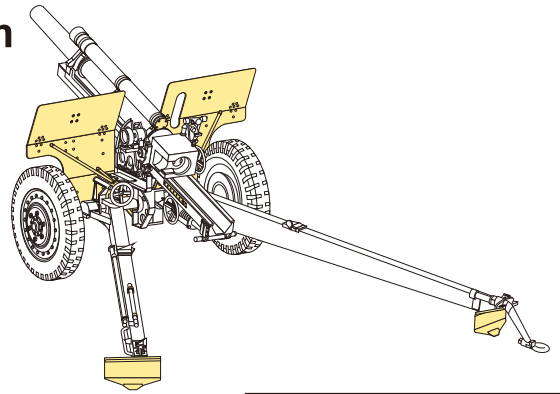
快干胶
Super glue


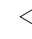







尖嘴钳
Needle nose pliers


镊子
Tweezers

美工刀
Craft knife

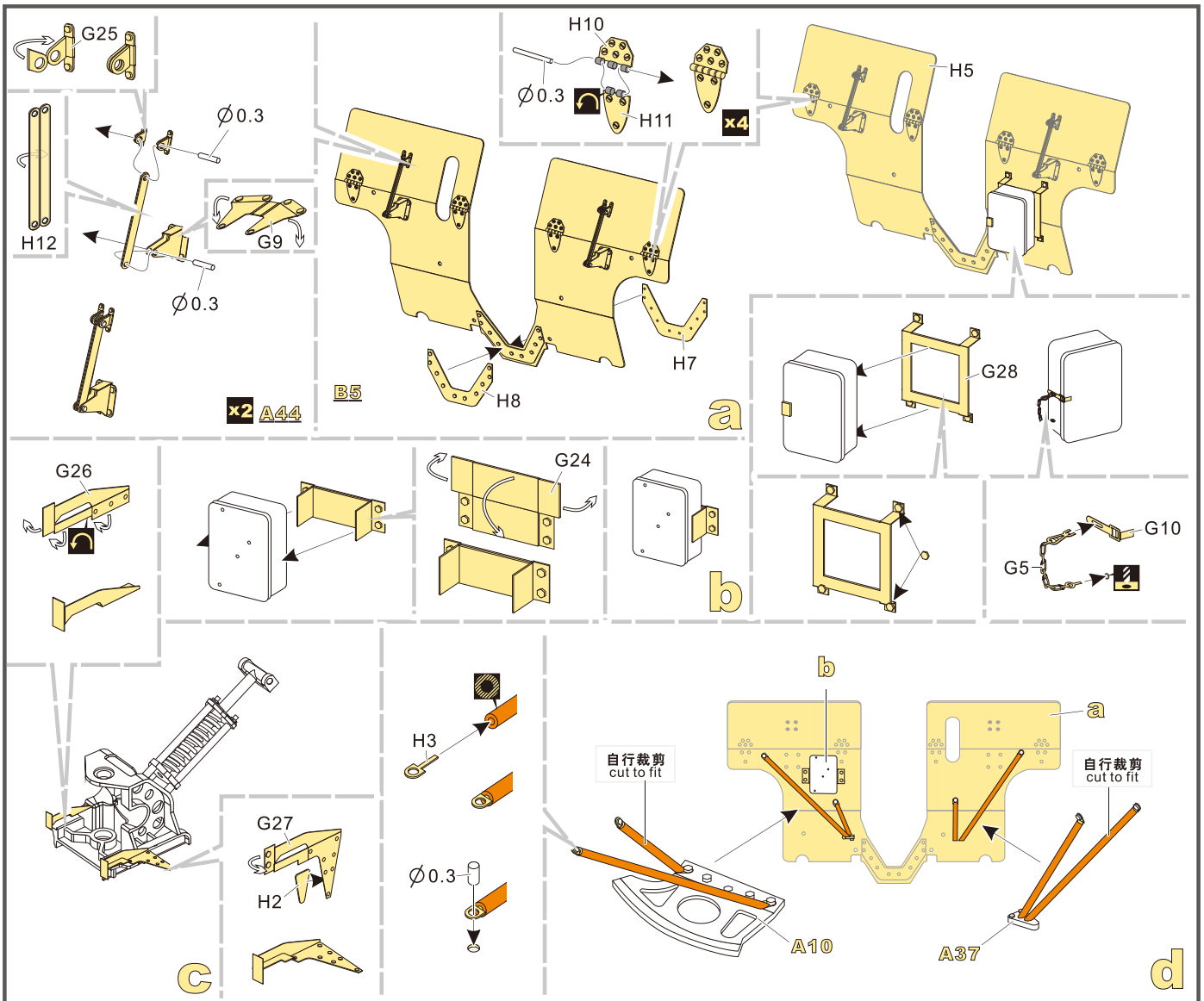
笔钻
pin vice



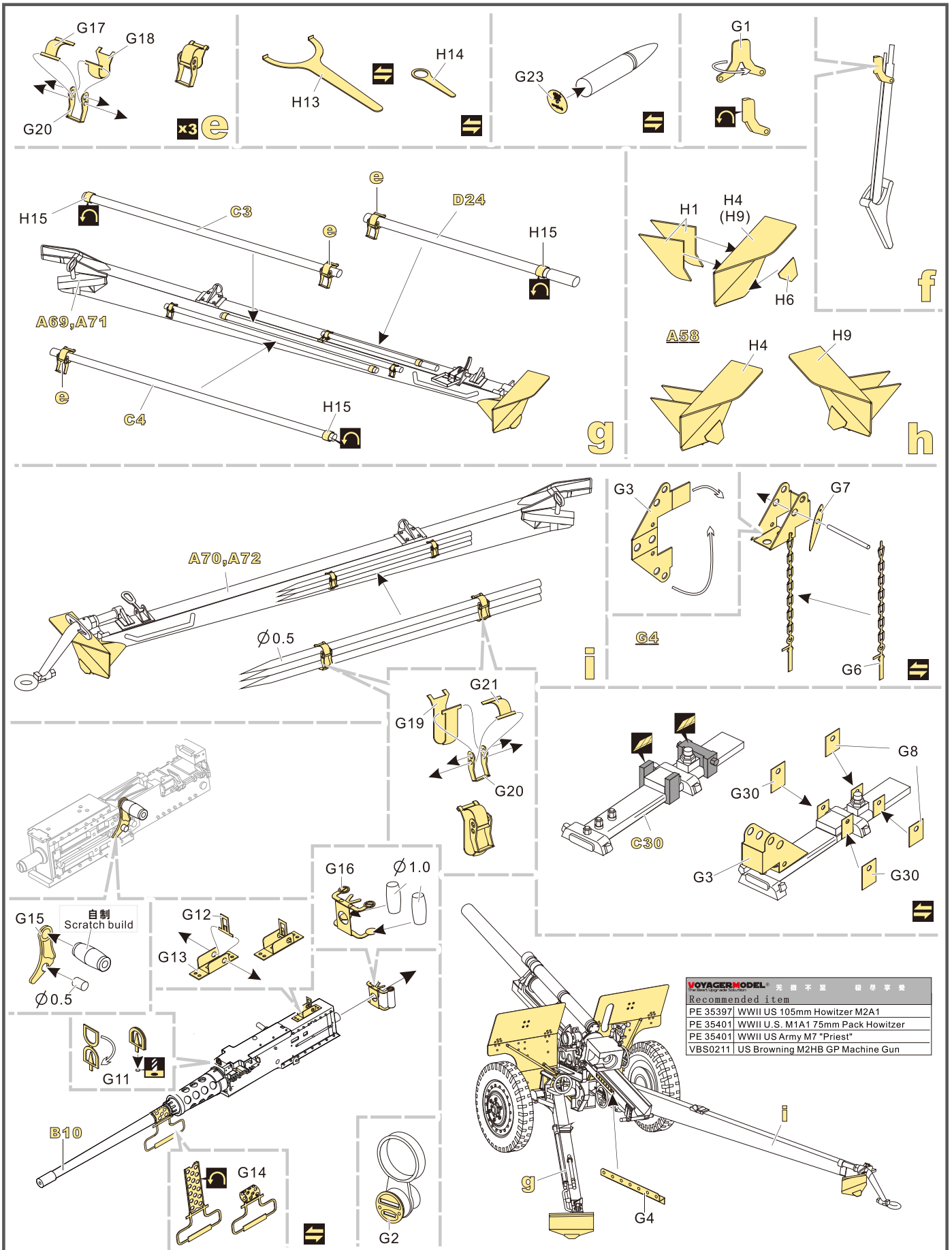
- 
 安装
install
- 
 折叠
bend
- A1**
 改造件零件编号
PE/resin part number
- B12**
 原零件编号
kit part number
- C22**
 被替换的原零件编号
replaced kit part number
- 
 另一侧相同制作
repeat on opposite side
- 
 切除
remove
- 
 打磨
grind off
- 
 弧度卷曲
radial bending
- x2**
 制作若干组
multiple assembly
- 
 选择安装
alternative
- 
 钻孔
drill
- 
 用铜管制作
make from brass tube


 用尖端在凹槽处冲压
use penpoint to press on the dent

蚀刻片零件内侧面向上
Put the part upside down
 用笔尖在凹槽处刺
Use penpoint to press on the dent

1/35 MILITARY MINIATURE VEHICLE UPGRADE SERIES PE35449



VOYAGERMODEL® 无限不惑 精益求精

Recommended item

PE 35397	WWII US 105mm Howitzer M2A1
PE 35401	WWII U.S. M1A1 75mm Pack Howitzer
PE 35401	WWII US Army M7 "Priest"
VBS0211	US Browning M2HB GP Machine Gun