

Revell

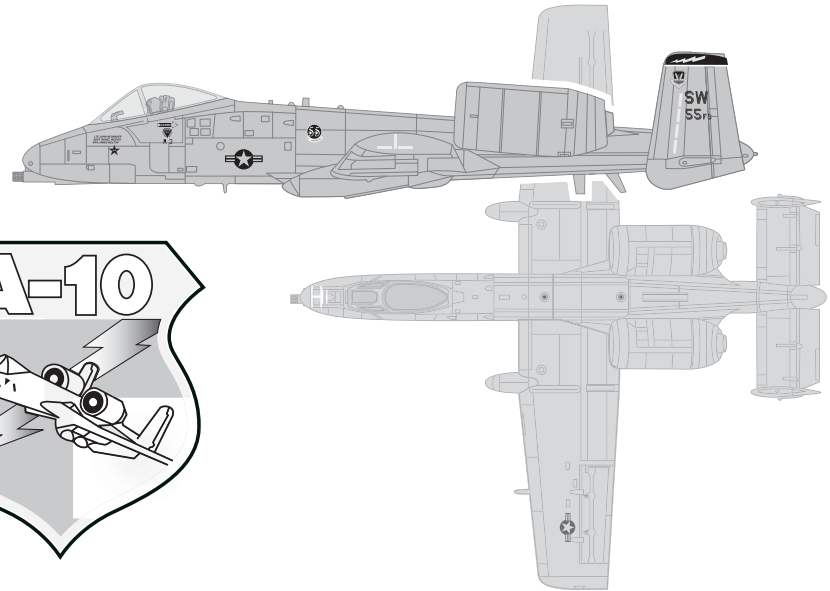
KIT 1181

85118110200

A-10 WARTHOG

The Thunderbolt II carries the official name of one of the most famous fighters in history, but its unofficial name of "Warthog" is a more apt description. The A-10's "Thunder" comes from its powerful GAU-8/A 30 mm nose cannon. Although the shape of the A-10 borders on the grotesque, it's actually the result of some careful engineering. The pilot sits in the extreme nose of the airplane for visibility. He is protected from ground fire by an armored titanium "bucket". The twin 9,055 lb. thrust General Electric TF-34 turbofan engines are separated from the fuselage to reduce the possibility of damage to both engines from one hit. Even when the landing gear is retracted, a portion of the main tires extend out of the airplane to make a "belly landing" less dangerous. The A-10 is designed to remain flyable even if large areas have been damaged or blown off.

Created specifically to support troops in a ground attack role, the A-10 is incredibly maneuverable. It is slow for a modern jet aircraft, with a top speed of only 423 mph, but it can carry up to eight tons of ordinance to deliver the knockout punch to enemy armored vehicles.



* REPEAT SEVERAL TIMES
* A REPETER PLUSIEURS FOIS



* REMOVE AND THROW AWAY
* A RETIRER ET JETER



* APPLY STICKERS
* APPLIQUEZ LES AUTO-COLLANTS



* TRIM
* D'ECOUPER



* OPTIONAL PARTS
* PIECES EN OPTION

READ BEFORE YOU BEGIN

- CLEAR A SPACE TO WORK ON.
- STUDY THE ASSEMBLY DRAWINGS BEFORE YOU BEGIN.
- EACH PLASTIC PART IS IDENTIFIED BY A PART NUMBER.
- THIS KIT MAY BE SNAPPED TOGETHER BUT PARTS MAY BE CEMENTED IF YOU PREFER.
- TRIM TO REMOVE EXTRA PLASTIC AND FILE SMOOTH BEFORE PART ASSEMBLY.

CAUTION:
POSITION ALL PARTS IN THIS KIT CAREFULLY.
PARTS WILL ONLY SNAP TOGETHER ONCE.

À LIRE AVANT DE COMMENCER

- DÉGAGGEZ UN ESPACE POUR TRAVAILLER.
- ÉTUDIEZ LES ÉTAPES DE MONTAGE AVANT DE COMMENCER.
- CHAQUE PIÈCE EN PLASTIQUE PORTE UN NUMÉRO DE PIÈCE.
- CETTE MAQUETTE L'ASSEMBLAGE PAR SIMPLE PRESSION, MAIS VOUS POUVEZ COLLER LES PIÈCES SI VOUS LE PREFEREZ.
- D'ECOUPER POUR ENLEVER LE PLASTIQUE SUPERFLU ET BIEN LIMER DES PIÈCES AVANT L'ASSEMBLAG

MISE EN GARDE:
POSITIONNEZ AVEC PRÉCAUTION TOUTES LES PIÈCES DE CE MODÈLE RÉDUIT, CAR VOUS NE POUVEZ LES EMBOÏTER QU'UNE SEULE FOIS.

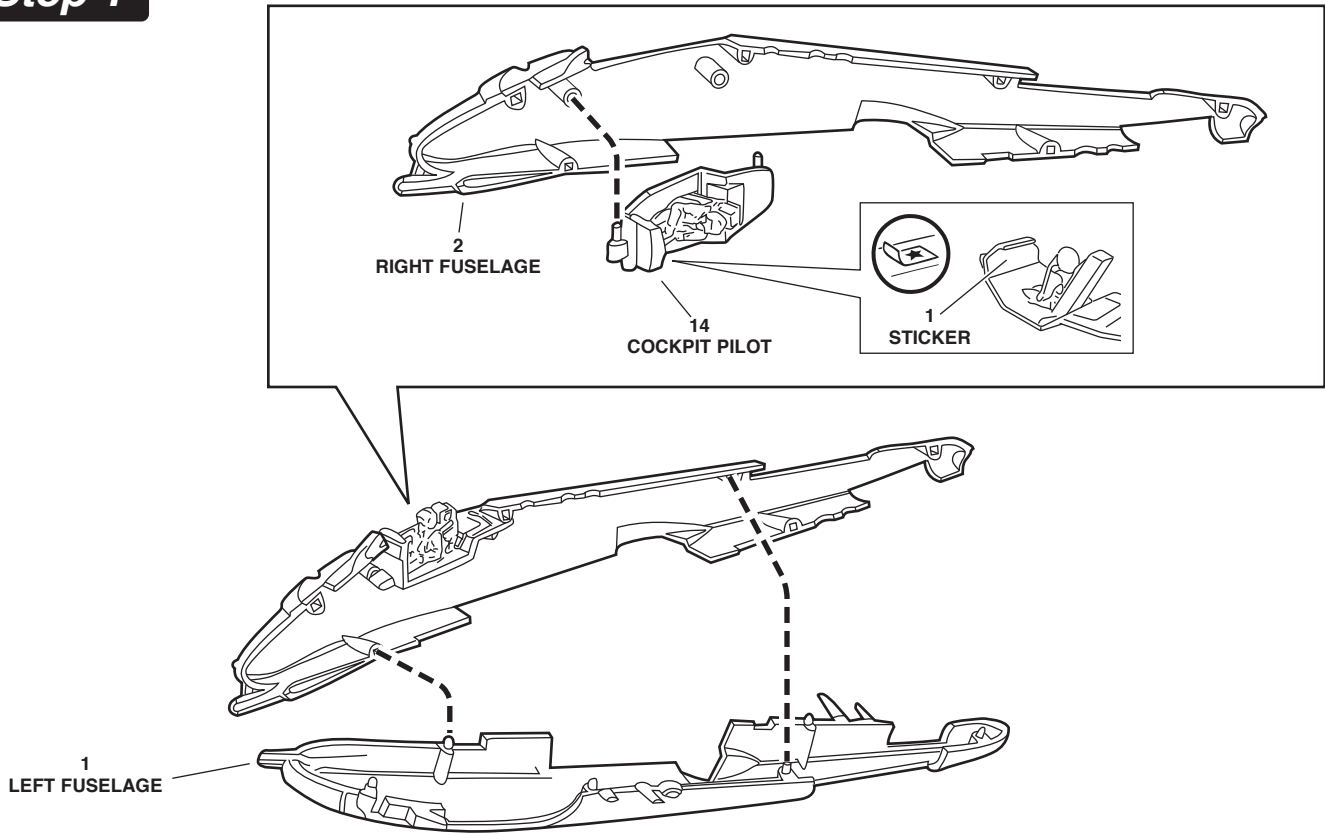
If you have any questions or comments, call our hotline at: **(800) 833-3570**
or, please write to:

Revell Inc Consumer Service Department, 1850 Howard Street Unit A, Elk Grove Village, Illinois 60007

Be sure to include the plan number (85118110200), part number, description, your return address and phone number.

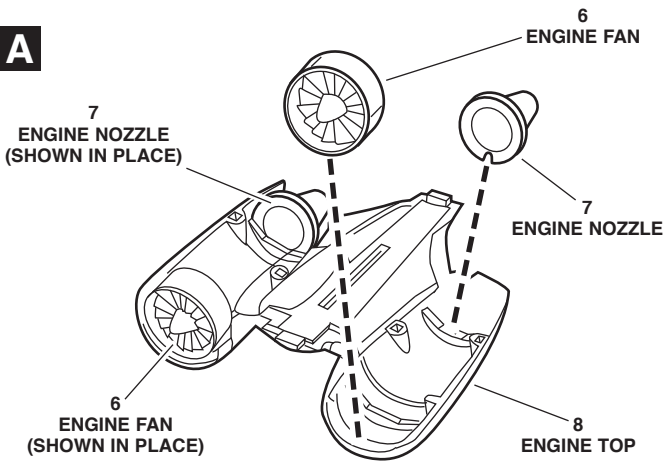
Visit our website: www.revell.com

Step 1

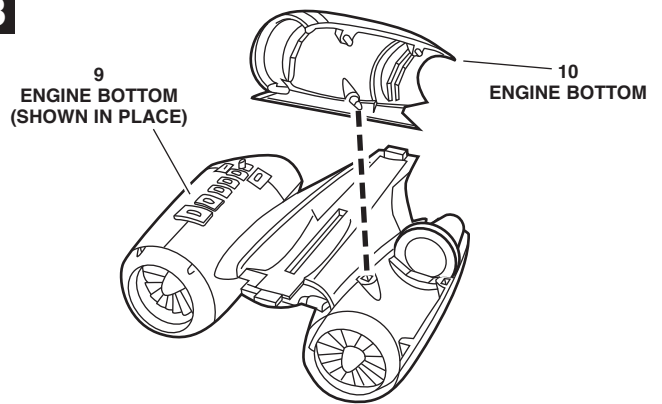


Step 2

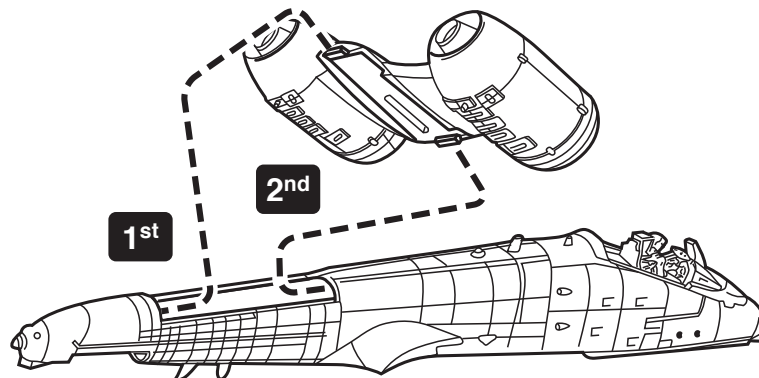
A



B

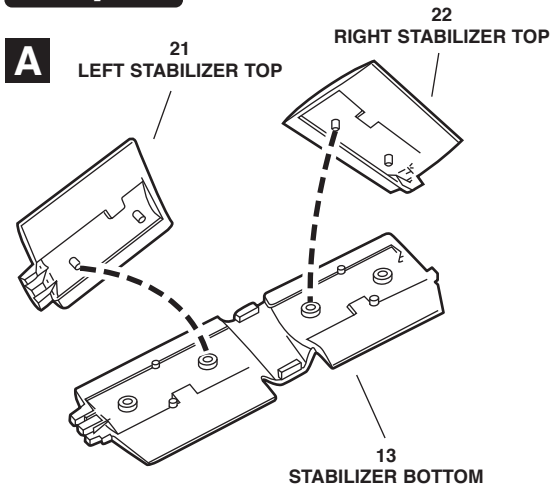


C

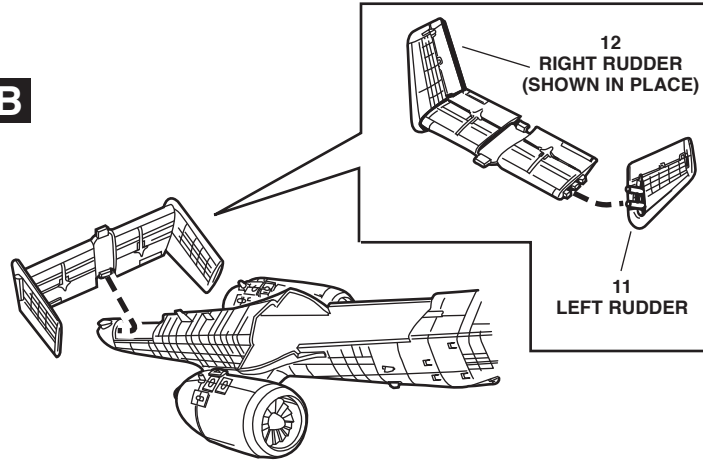


NOTE: INSERT THE FRONT TAB OF THE COMPLETED ENGINE ASSEMBLY INTO THE FUSELAGE, THEN SNAP INTO PLACE.

Step 3

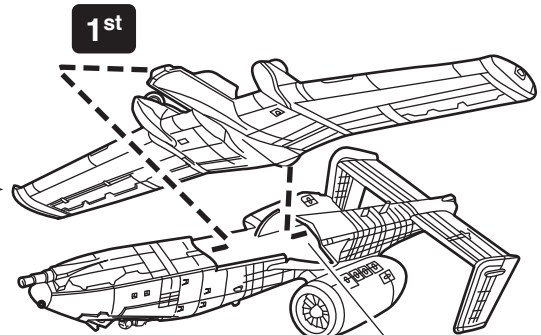
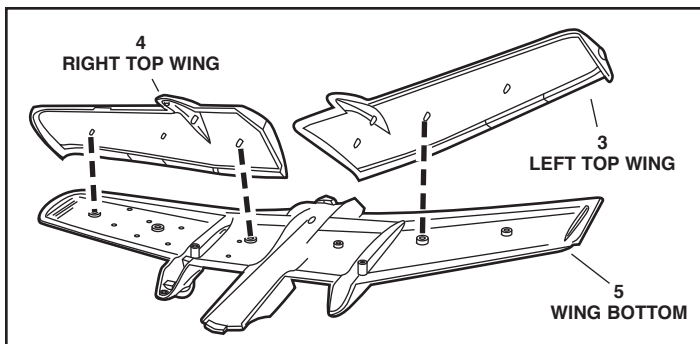


B



NOTE: INSERT THE FRONT TAB OF THE COMPLETED STABILIZER ASSEMBLY INTO THE FUSELAGE, THEN SNAP INTO PLACE.

Step 4

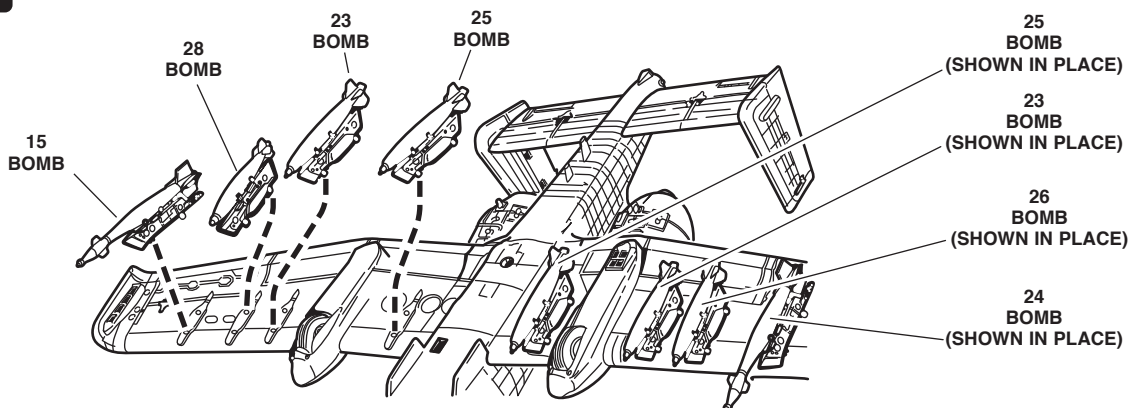


NOTE: INSERT FRONT TAB OF WING BOTTOM INTO FUSELAGE, THEN SNAP INTO PLACE.

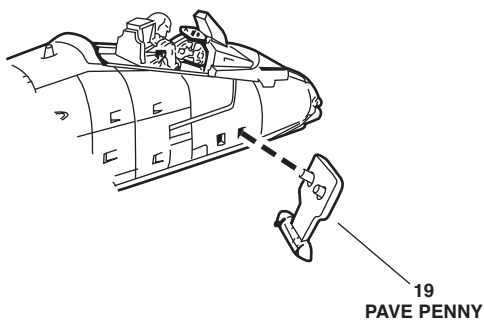
2nd

Step 5

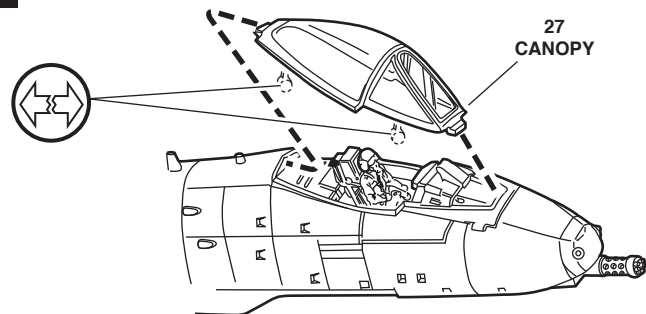
A



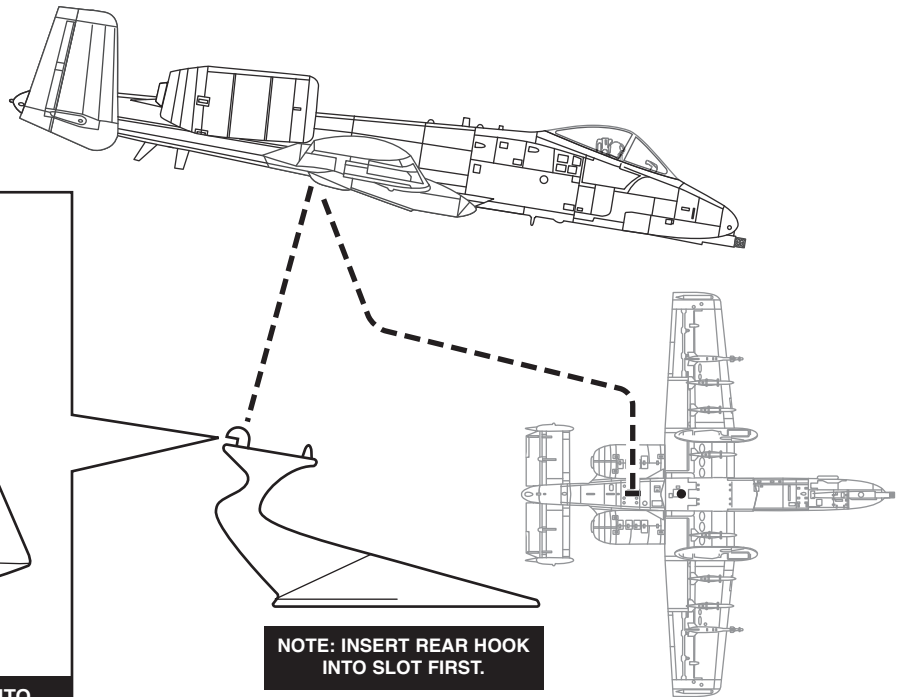
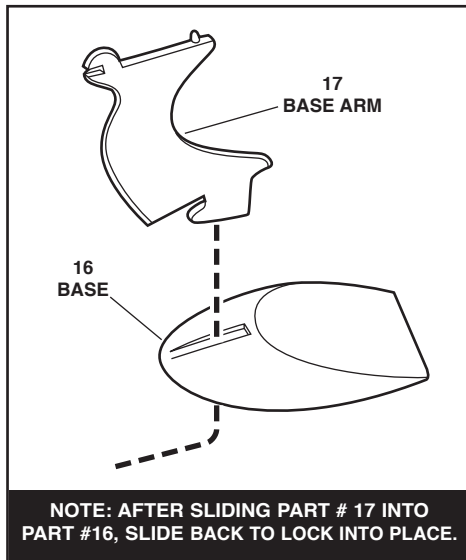
B



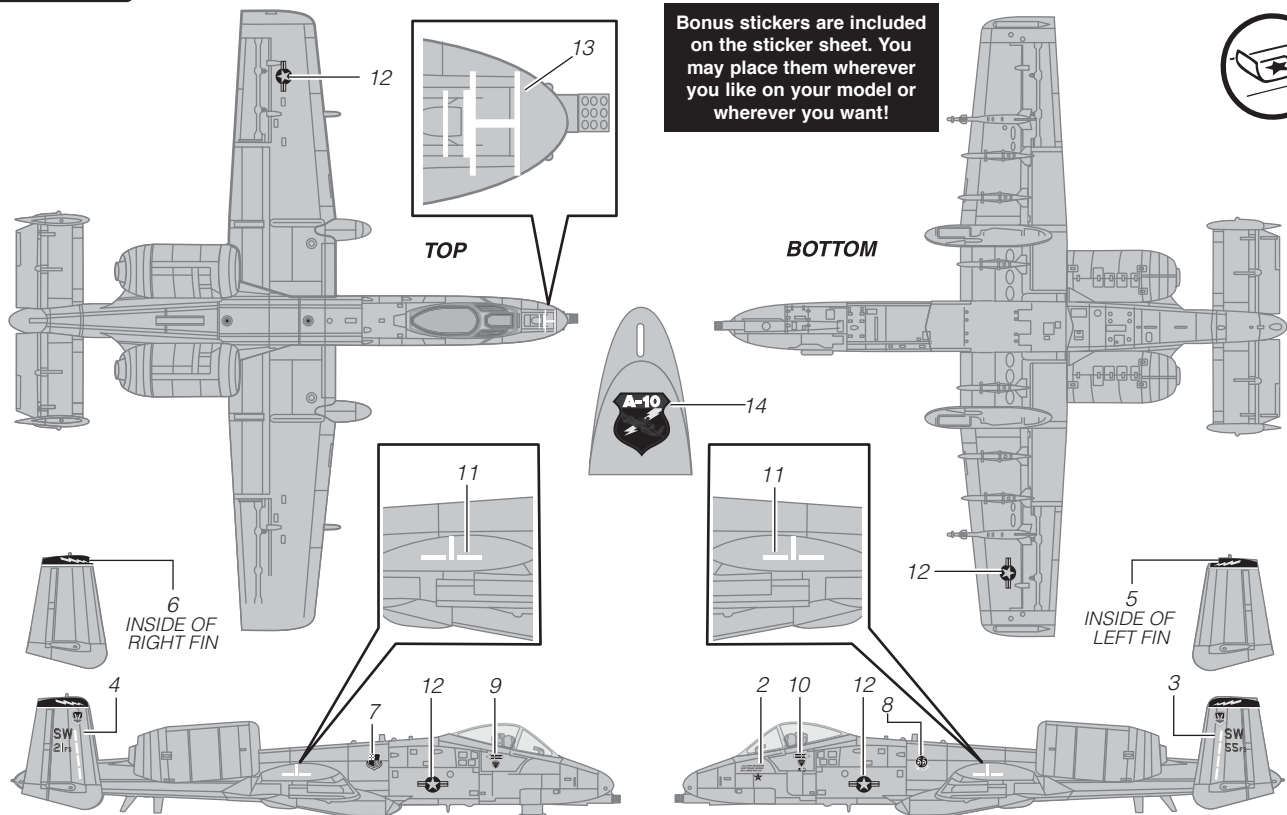
C



Step 6



Step 7



NOTE: When applying stickers, avoid touching the "sticky" side to prevent finger prints on stickers. Bend sticker sheet slightly to lift edge of sticker & use a finger nail to lift sticker from sheet. Line up sticker on body and press an edge into place, slowly working sticker with a finger nail until sticker is fully on model.

REMARQUE : Pendant l'application des autocollants, éviter de toucher à la face collante pour ne pas laisser d'empreintes. Plier légèrement la feuille d'autocollants pour relever le bord d'un autocollant, et le détacher de la feuille avec le bout d'un ongle. Aligner l'autocollant sur la carrosserie, appuyer pour coller un de ses bords, et continuer de l'appliquer lentement du bout de l'ongle jusqu'à ce qu'il soit complètement collé sur le modèle réduit.