

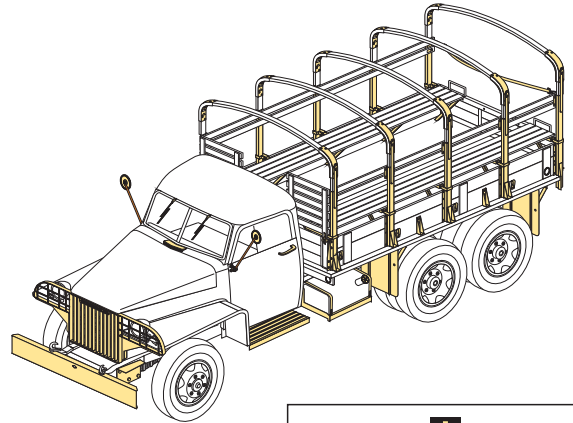
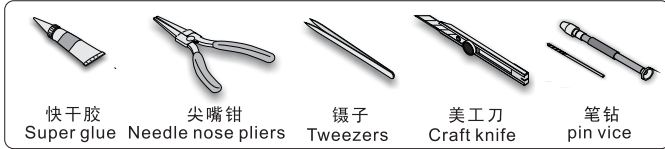
1/35 MILITARY MINIATURE VEHICLE UPGRADE SERIES PE35432














# WWII Land Lease U.S. (Studebaker US6) Truck


## 二战美军US6卡车

[For ITALERI 6499 / ICM 35511]

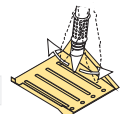
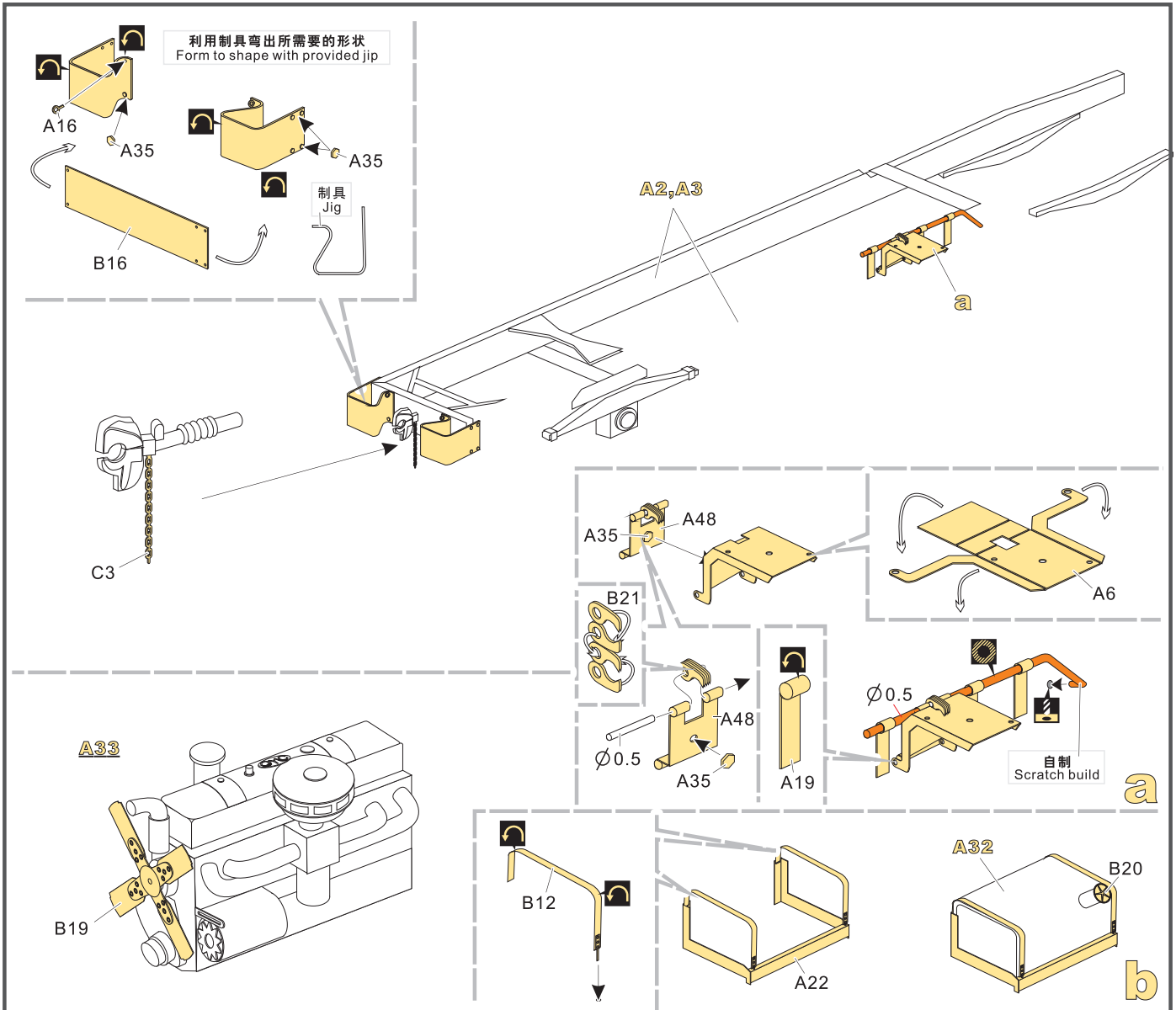
### 推荐使用工具 RECOMMENDED TOOLS



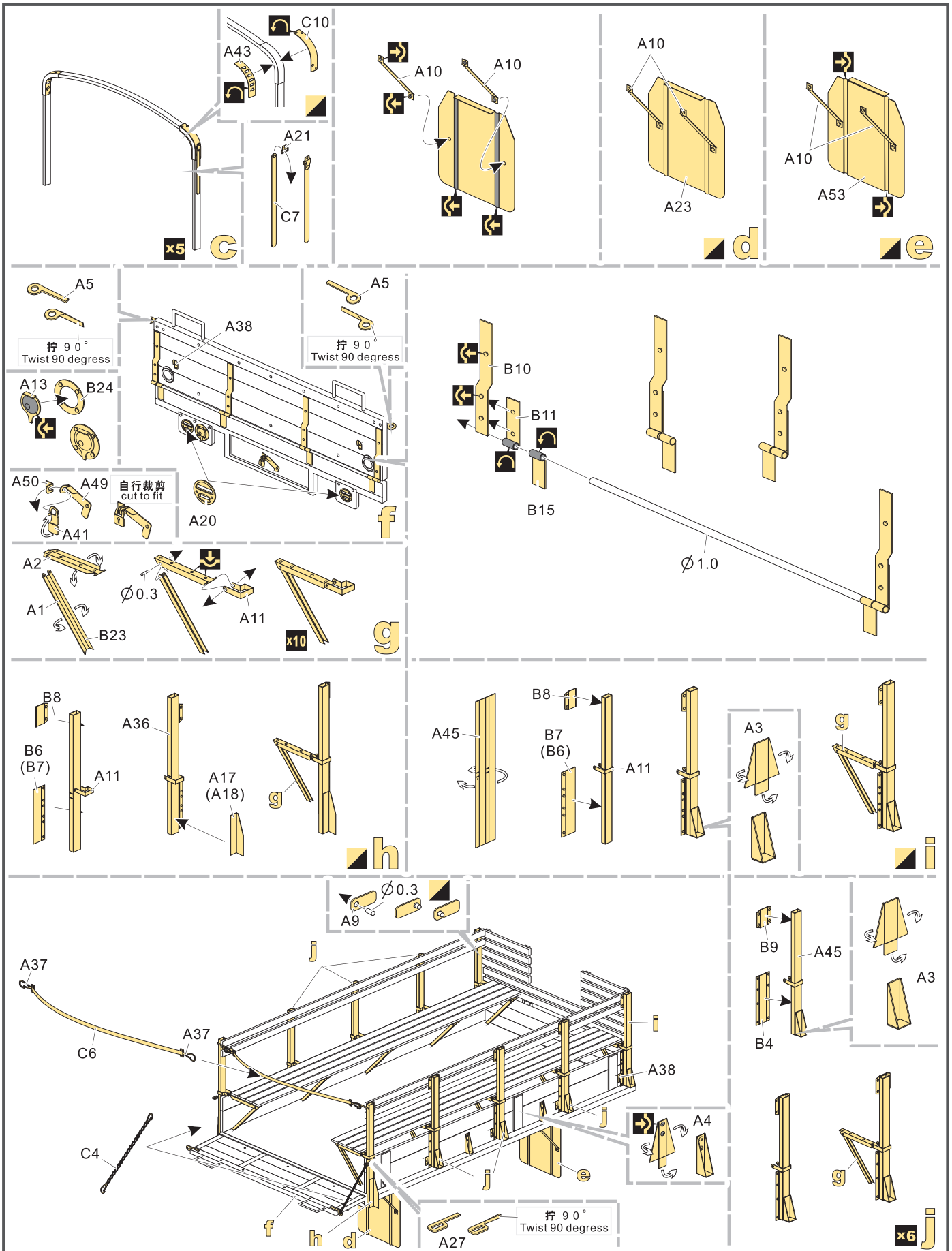
-   
 安装  
install
-   
 折叠  
bend
-   
 改造件零件编号  
PE/resin part number
-   
 原零件编号  
kit part number
-   
 被替换的原零件编号  
replaced kit part number
-   
 另一侧相同制作  
repeat on opposite side
-   
 切除  
remove
-   
 打磨  
grind off
-   
 弧度卷曲  
radial bending
-   
 制作若干组  
multiple assembly
-   
 选择安装  
alternative
-   
 钻孔  
drill
-   
 用铜管制作  
make from brass tube

  
 用尖端在凹槽处冲压  
use penpoint to press on the dent

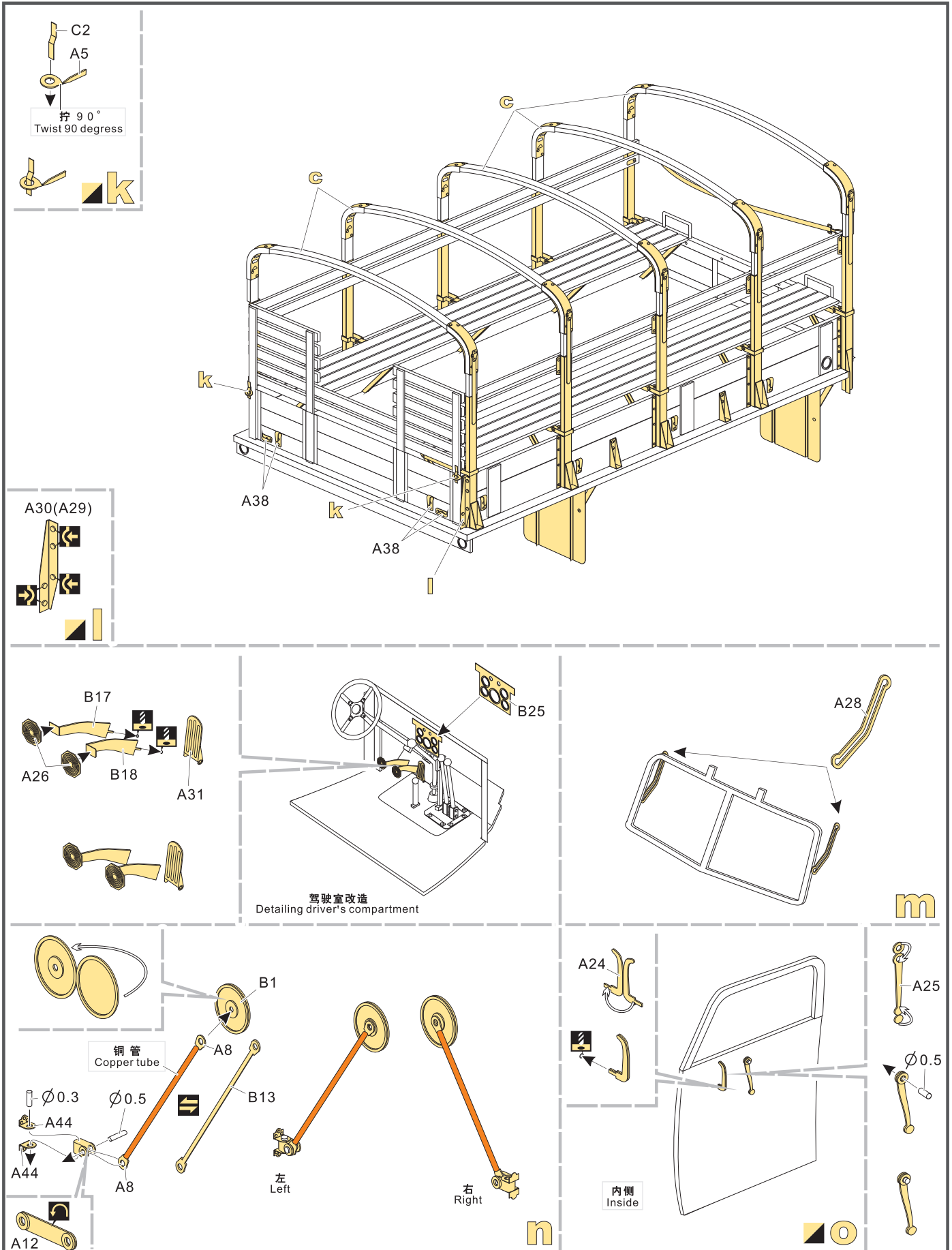
蚀刻片零件内朝面向上  
Put the part upside down  
 用笔尖在凹槽处刺  
Use penpoint to press on the dent

1/35 MILITARY MINIATURE VEHICLE UPGRADE SERIES PE35432

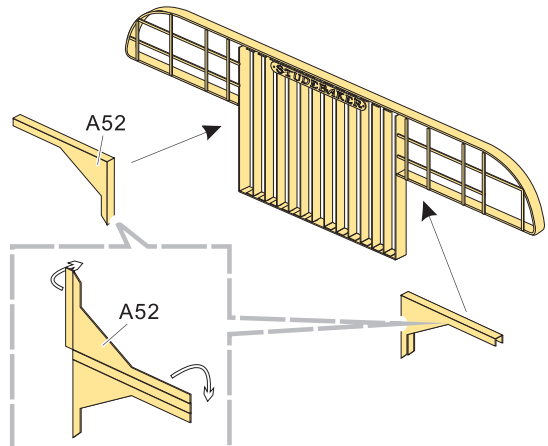
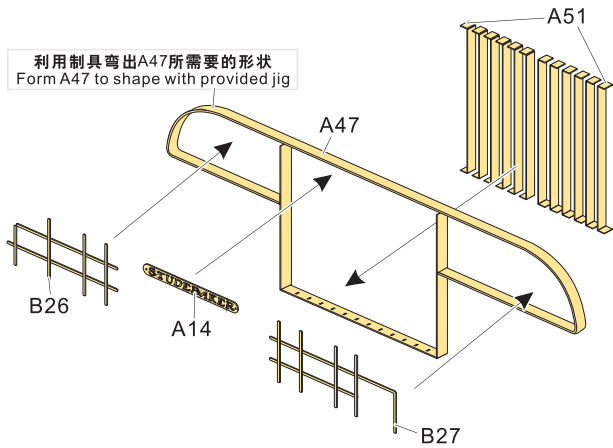


1/35 MILITARY MINIATURE VEHICLE UPGRADE SERIES PE35432

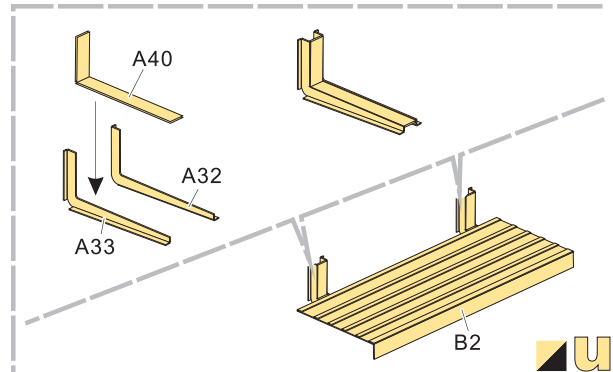
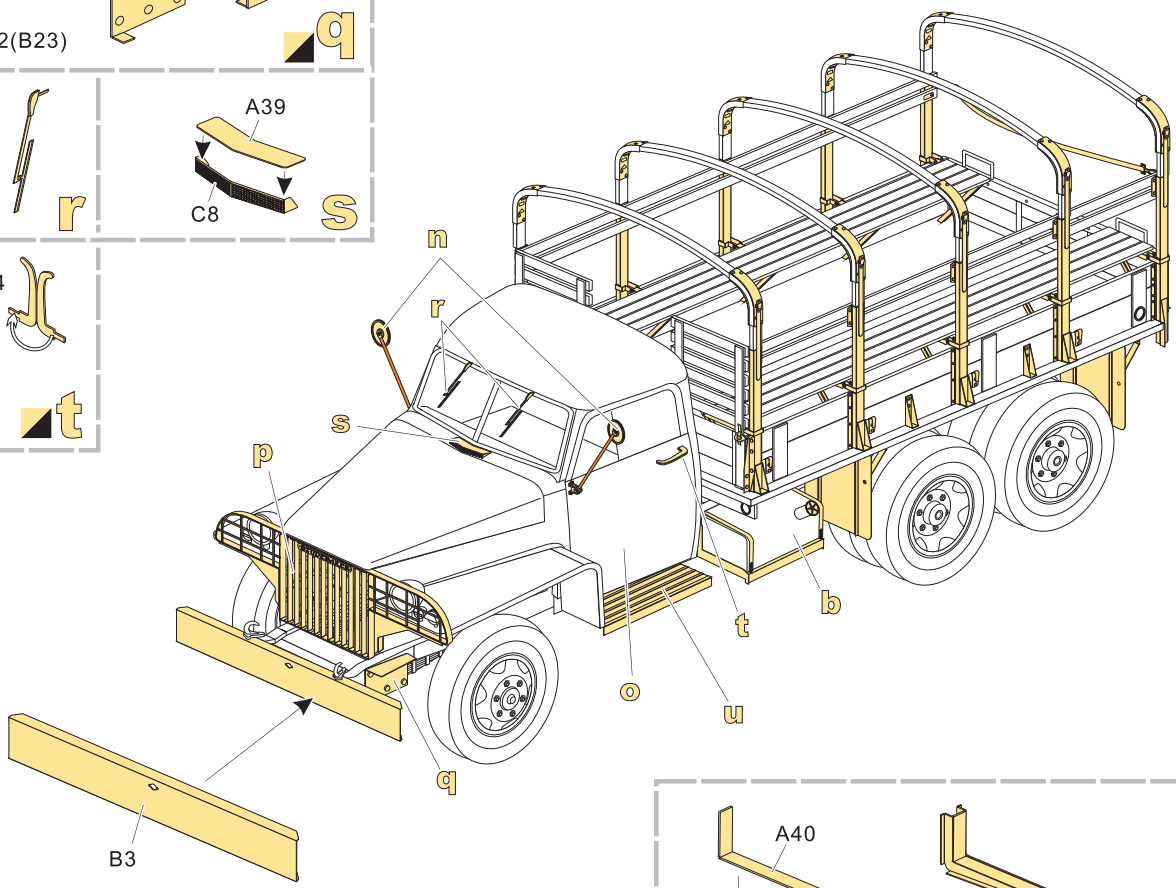
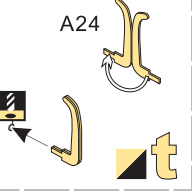
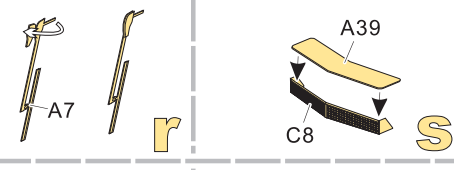
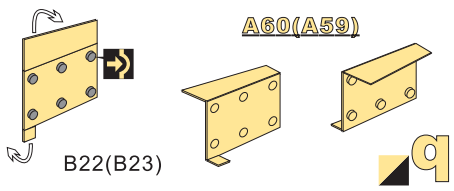


1/35 MILITARY MINIATURE VEHICLE UPGRADE SERIES PE35432

利用制具弯出A47所需要的形状  
Form A47 to shape with provided jig



p



u

**VOYAGERMODEL®** 无微不至 极尽享受  
The Best Upgrade Solution

Recommended item

PE 35246	WWII German Opel Blitz 3t. 4x2 Cargo Truck /Shallow Cargo Bay
PE 35407	WWII German Benz L4500A truck
PE 35462	WWII German Benz L4500R Maulter
PE 35465	WWII U.S. GMC 2.5ton 6X6 Cargo Truck