

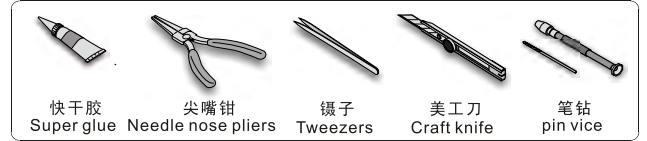
1/35 MILITARY MINIATURE VEHICLE UPGRADE SERIES PE35011










现代德军豹2A5改造件


Modern German Leopard 2A5

[For TAMIYA 35242]

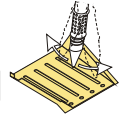
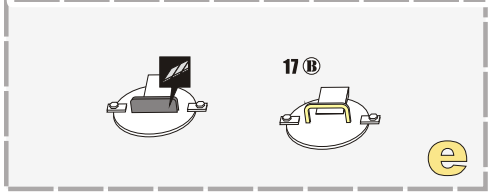
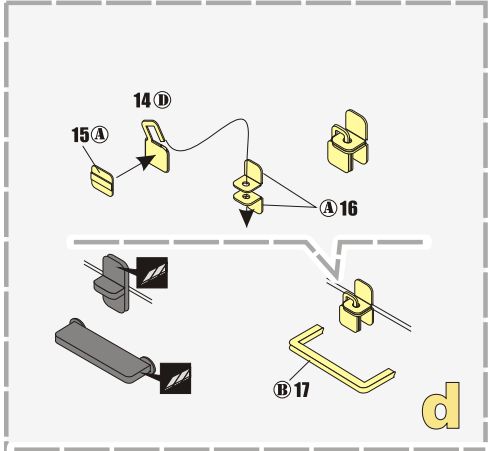
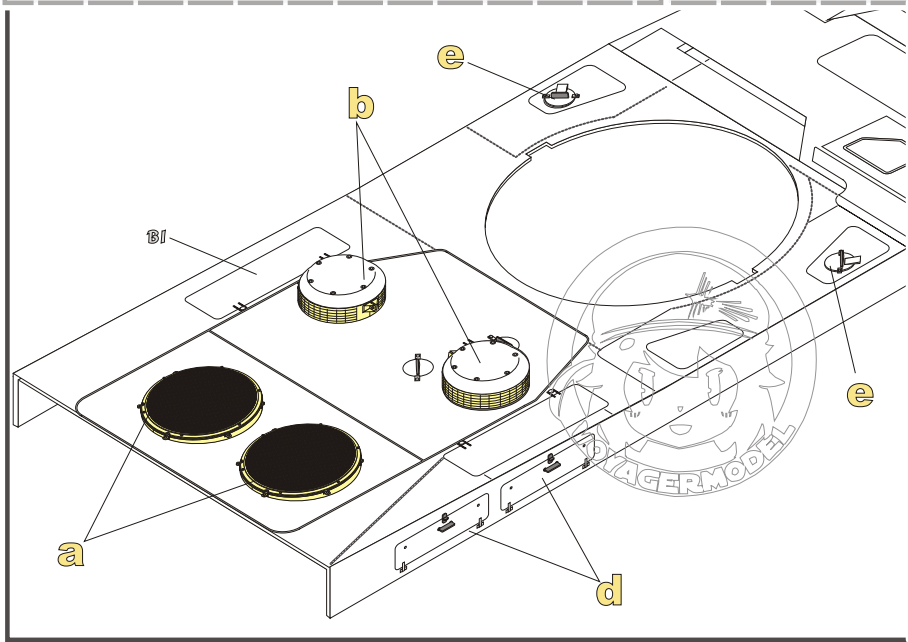
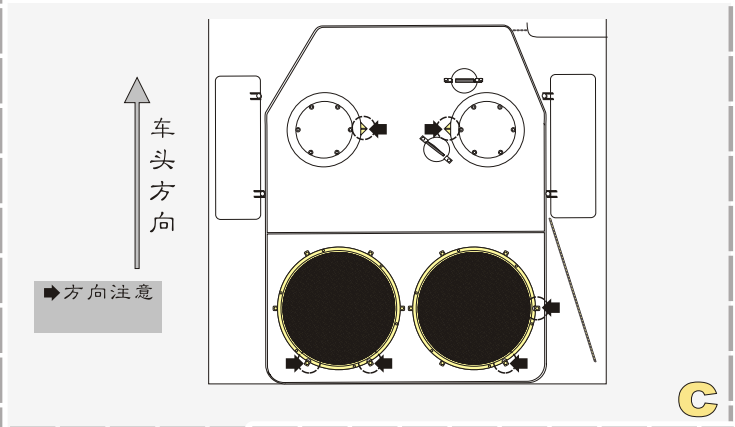
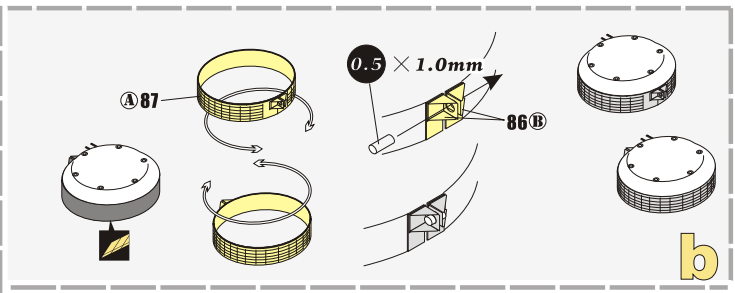
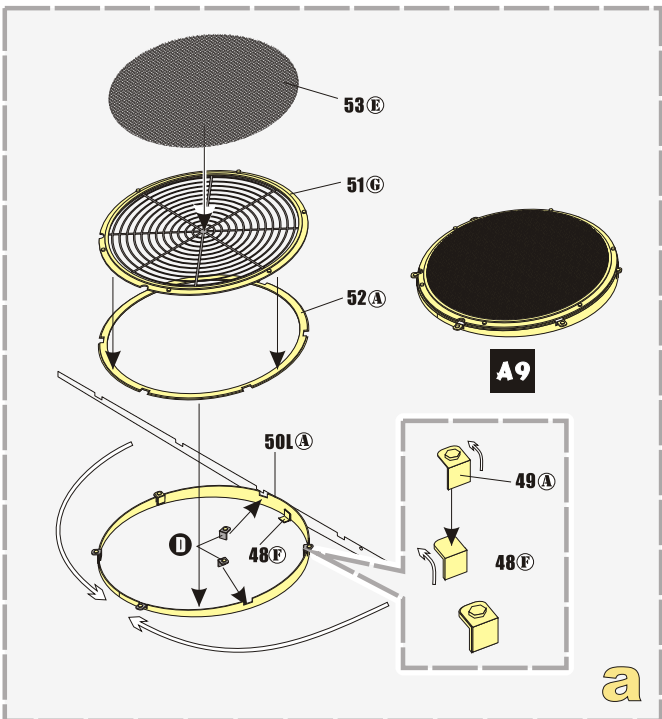
推荐使用工具 RECOMMENDED TOOLS



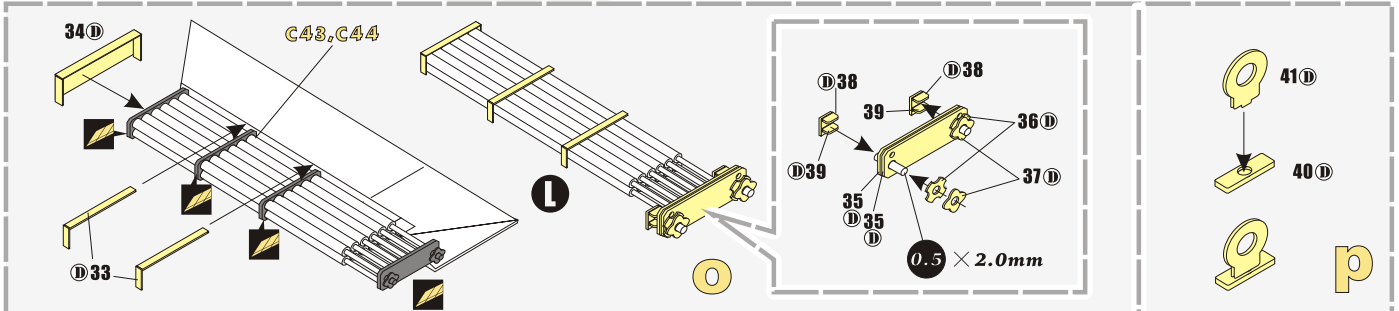
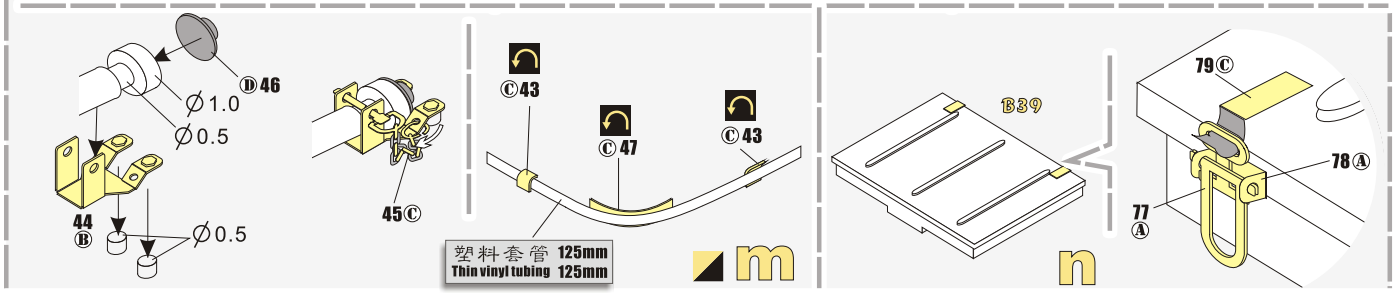
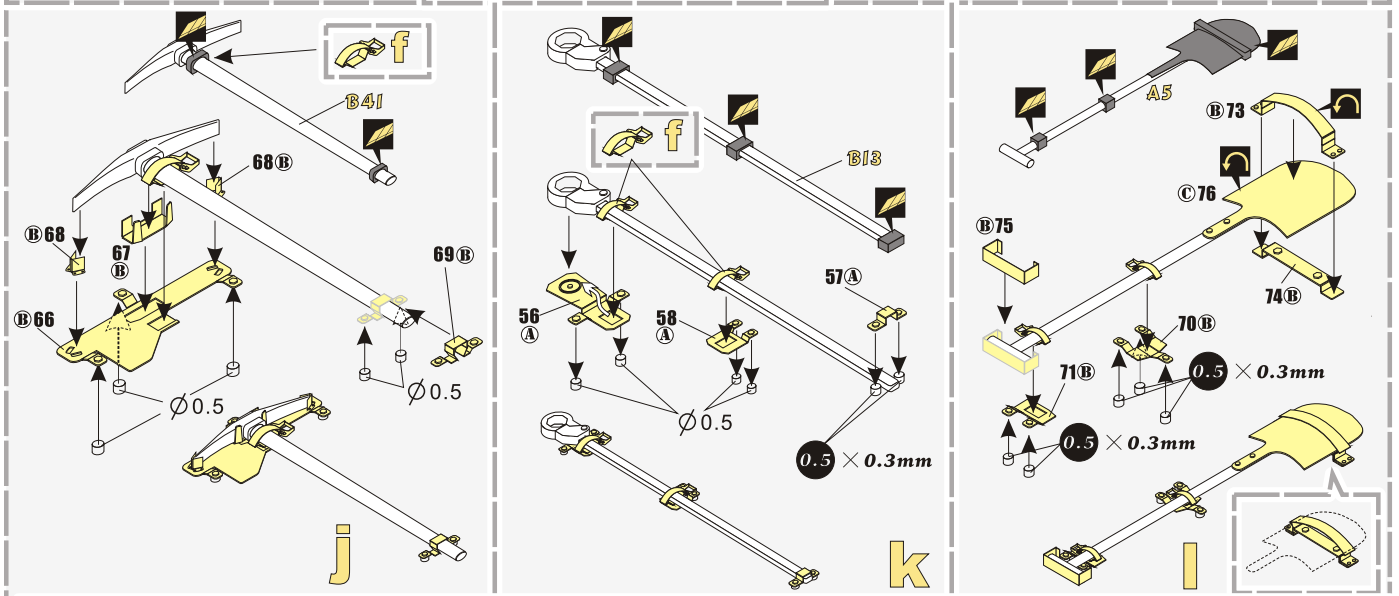
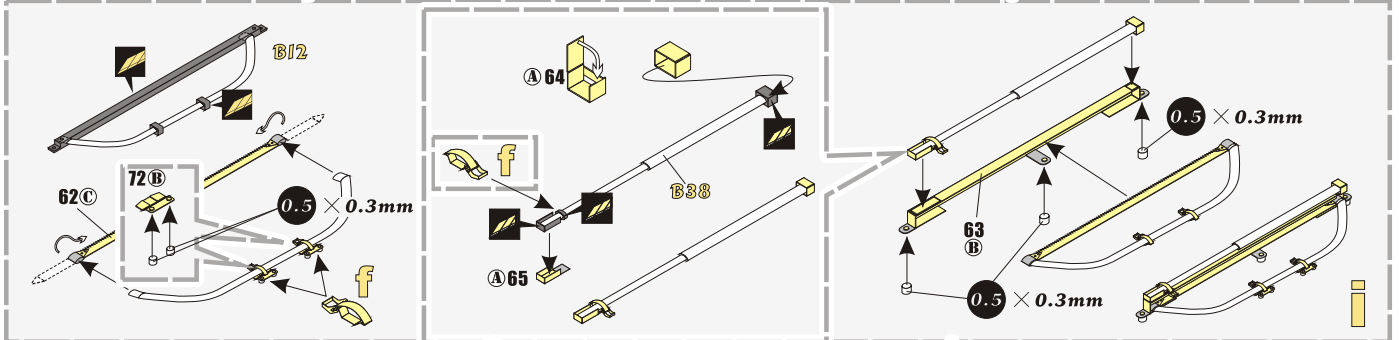
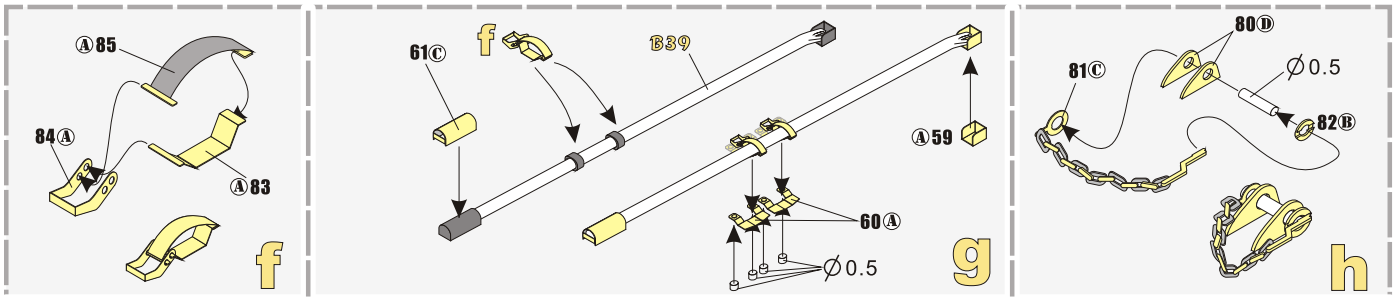
- 
安装
install
- 
折叠
bend
- A1**
改造件零件编号
PE/resin part number
- B12**
原零件编号
kit part number
- C22**
被替换的原零件编号
replaced kit part number
- 
 另一侧相同制作
repeat on opposite side
- 
切除
remove
- 
打磨
grind off
- 
弧度卷曲
radial bending
- x2**
制作若干组
multiple assembly
- 
选择安装
alternative
- 
钻孔
drill
- 
用胶棒制作
make from plastic rod


 用尖端在凹槽处冲压
 use penpoint to press on the dent

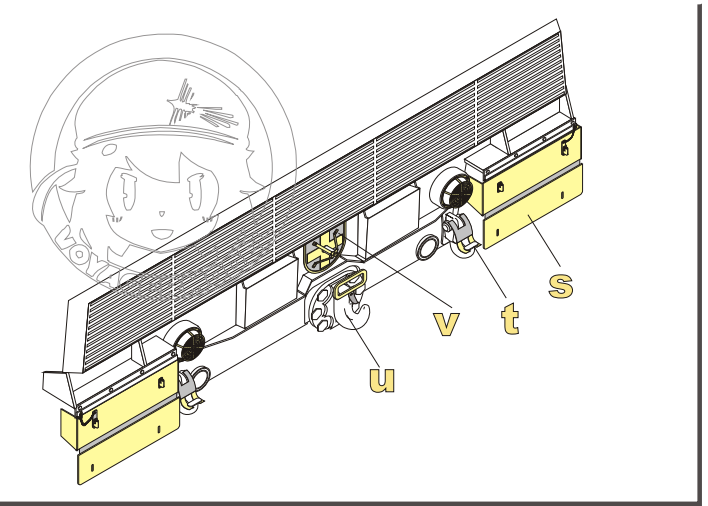
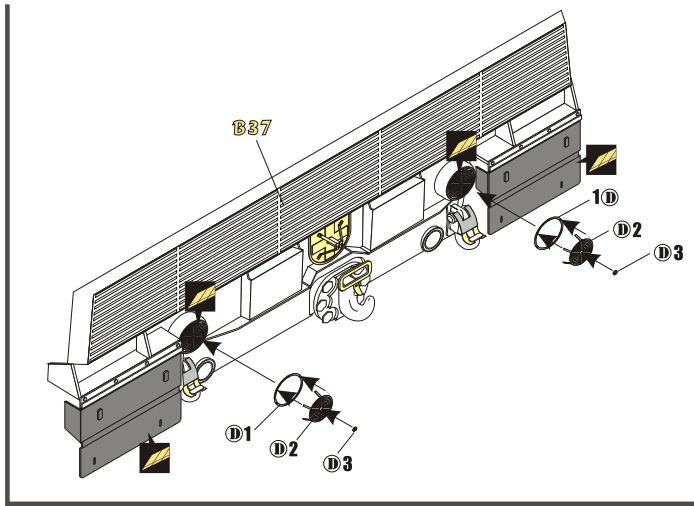
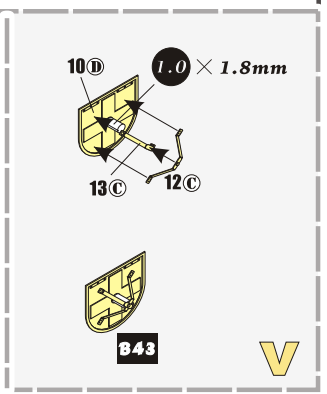
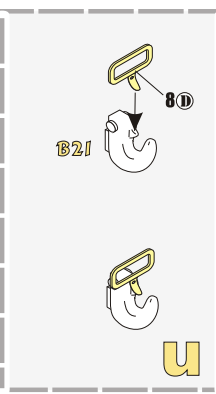
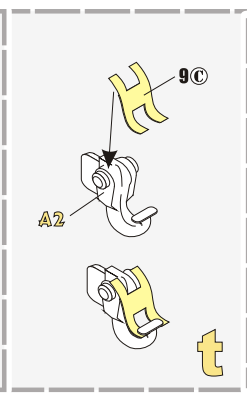
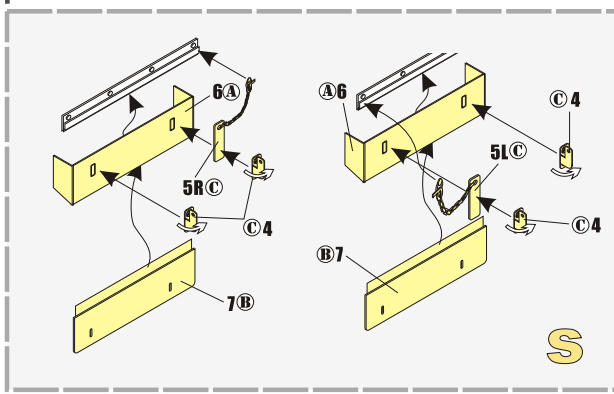
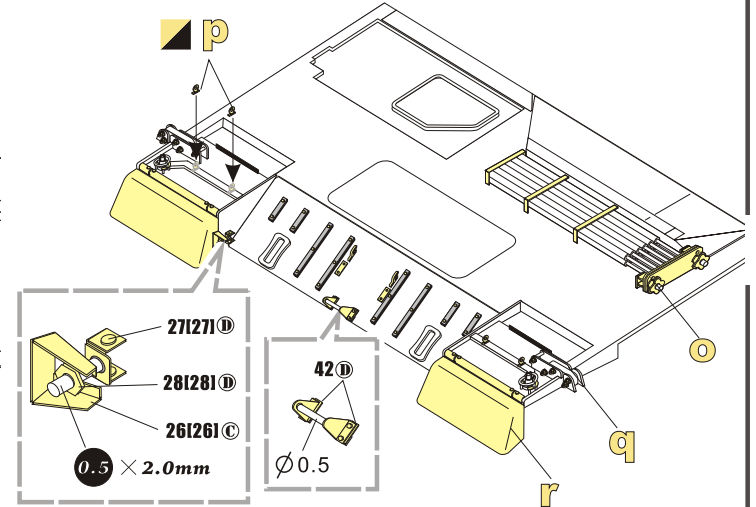
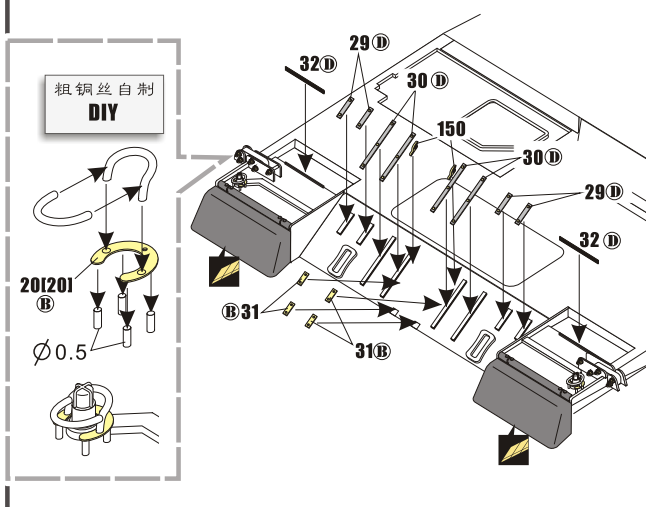
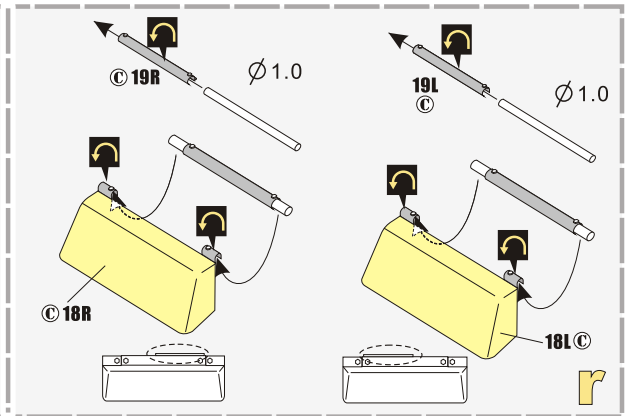
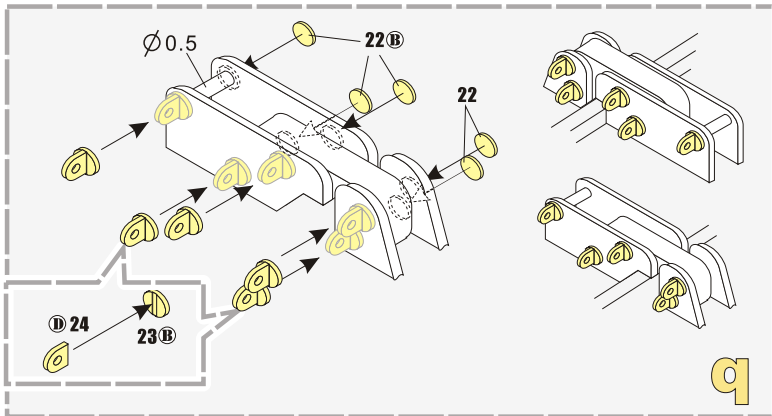
蚀刻片零件内侧面向上
 Put the part upside down
 用笔尖在凹槽处刮
 Use penpoint to press on the dent

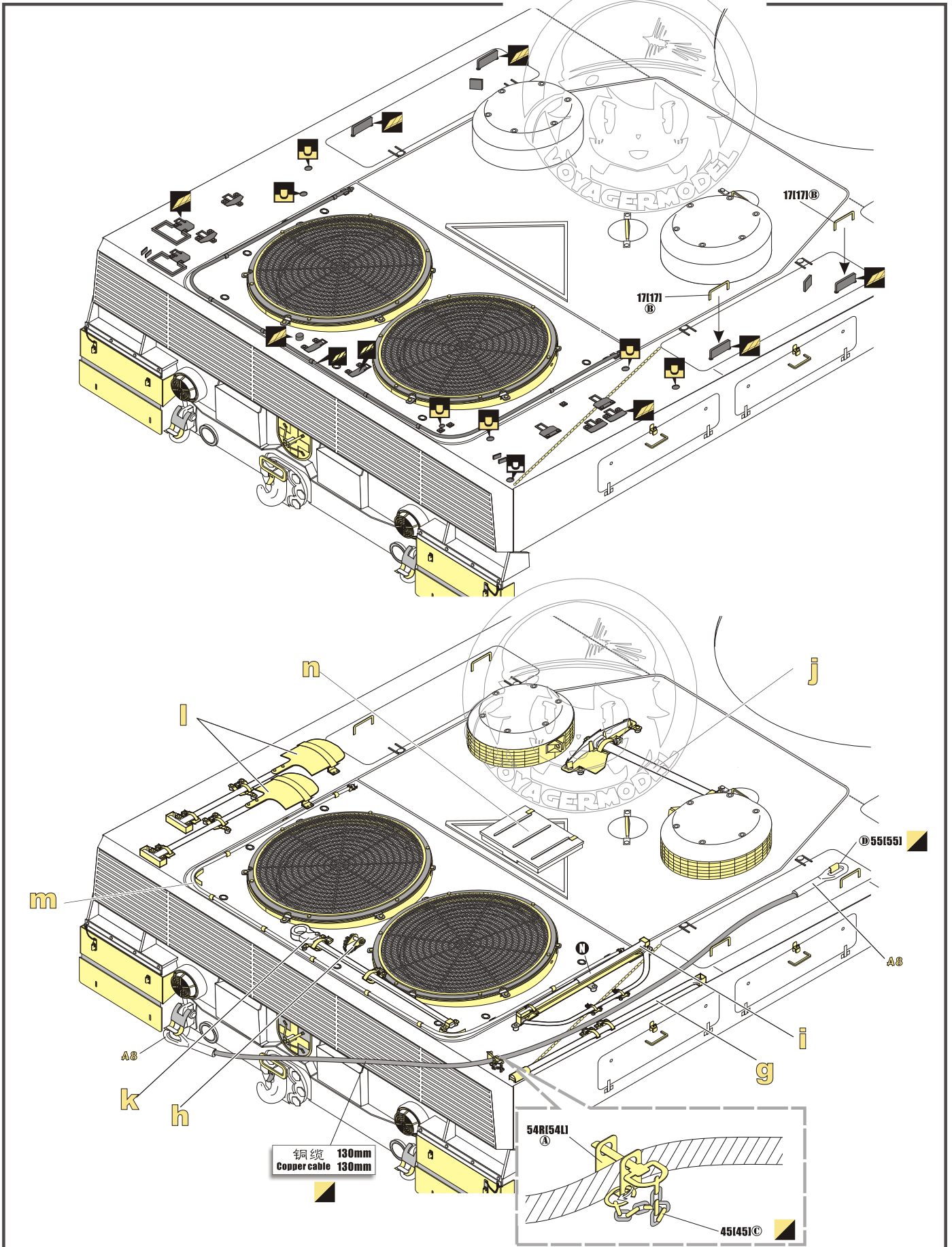
1/35 MILITARY MINIATURE VEHICLE UPGRADE SERIES PE35011



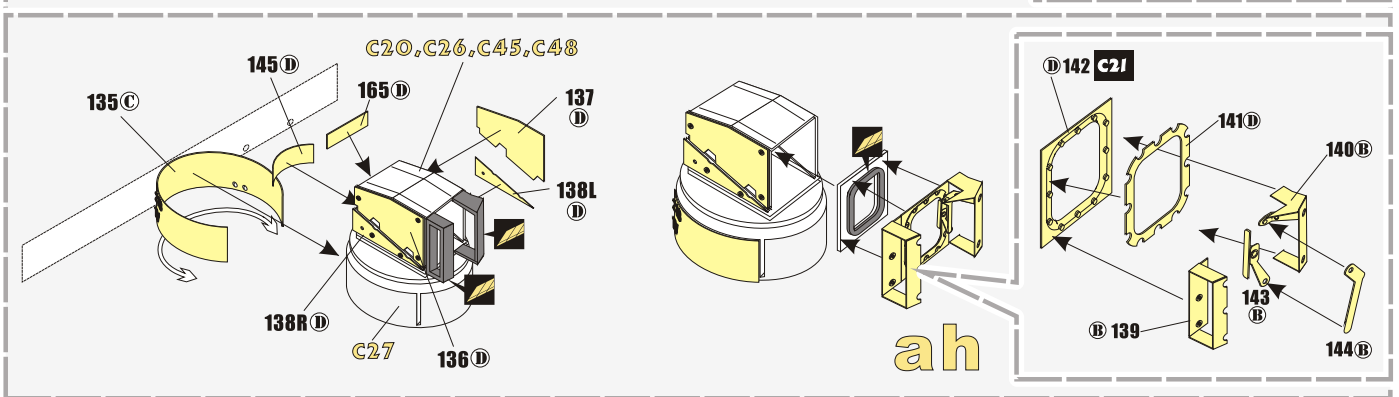
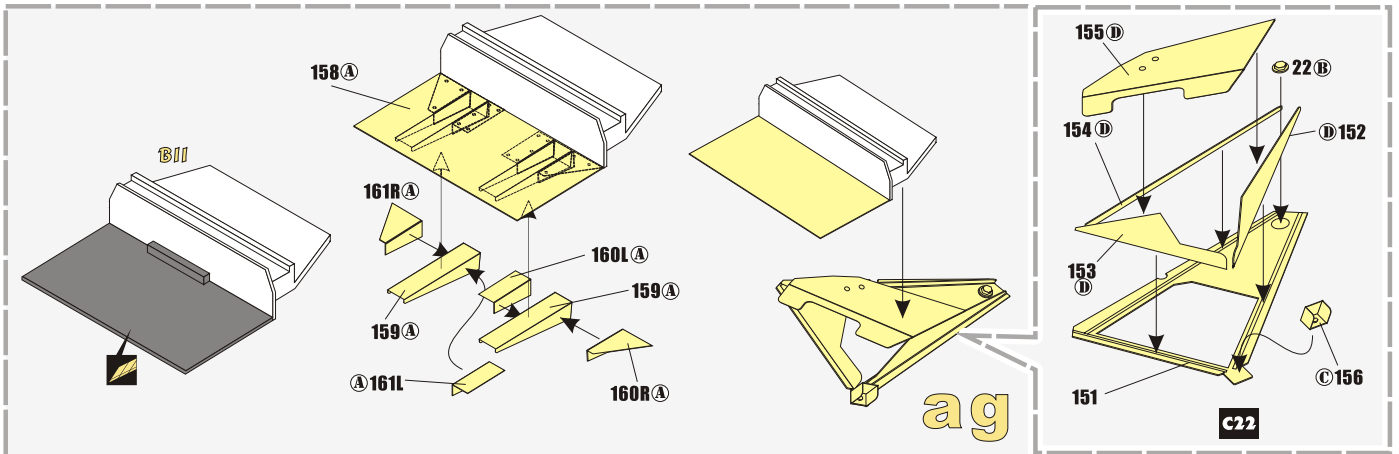
1/35 MILITARY MINIATURE VEHICLE UPGRADE SERIES PE35011



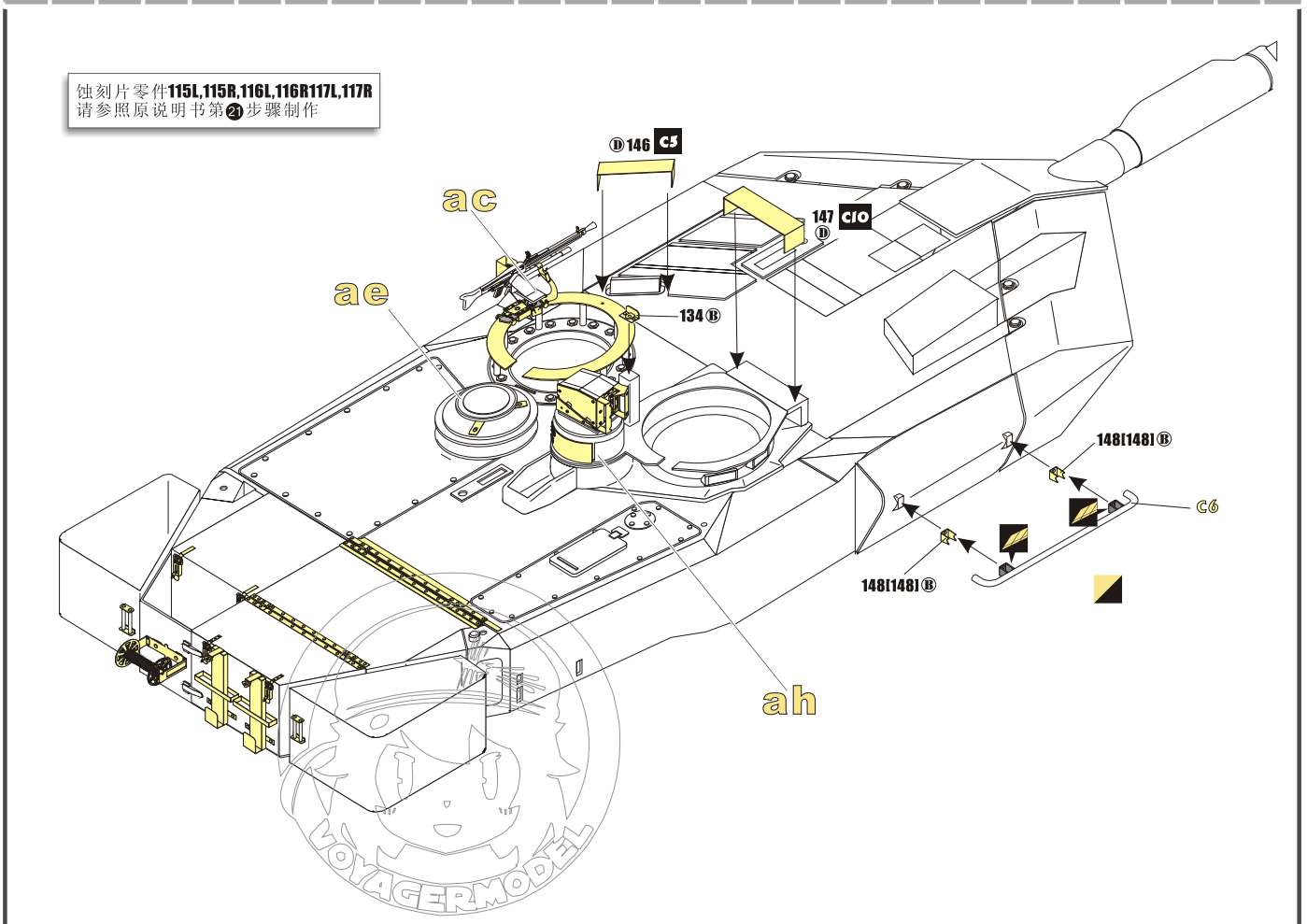
1/35 MILITARY MINIATURE VEHICLE UPGRADE SERIES PE35011



1/35 MILITARY MINIATURE VEHICLE UPGRADE SERIES PE35011



蚀刻片零件115L,115R,116L,116R,117L,117R
请参照原说明书第②步骤制作



1/35 MILITARY MINIATURE VEHICLE UPGRADE SERIES PE35011

