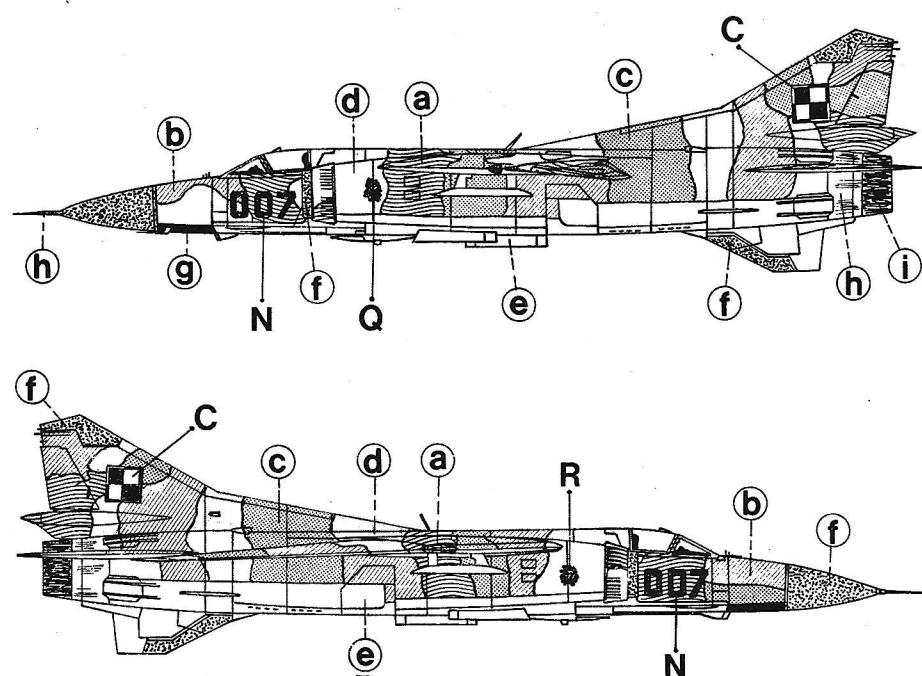
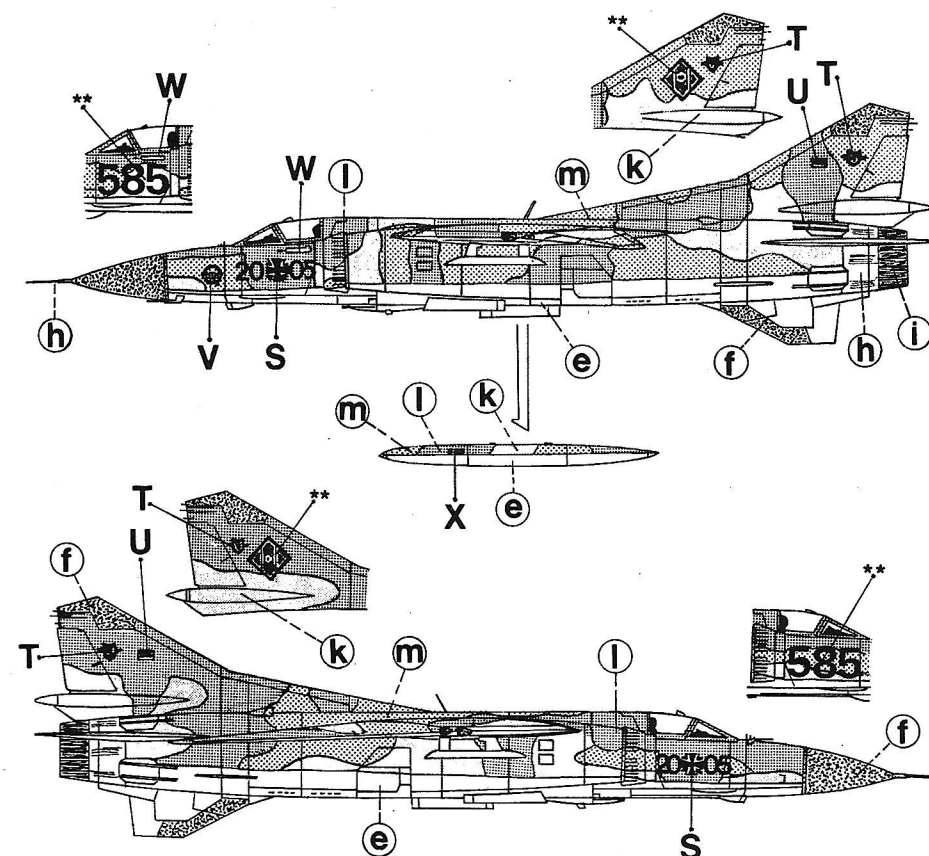


**1** MiG-23MLD Flogger K, Soviet Air Force, based at Cam Ranh Bay A.B., Vietnam, in 1988.

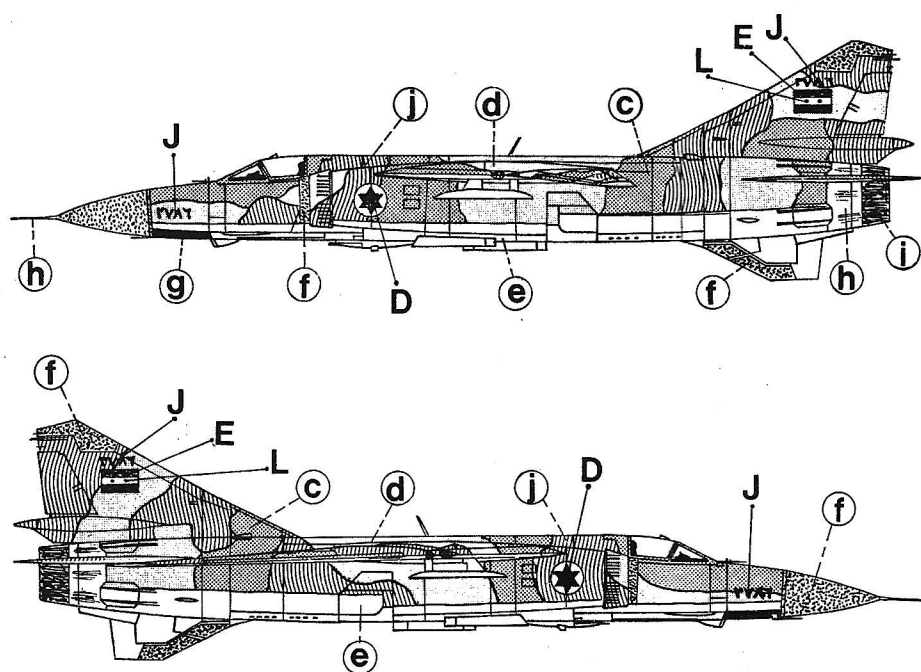


**3** MiG-23MF Flogger B, 1st Sqn, 28th Fighter Regiment, Polish Air Force; Slupsk-Redzikowo A.B., 1991.

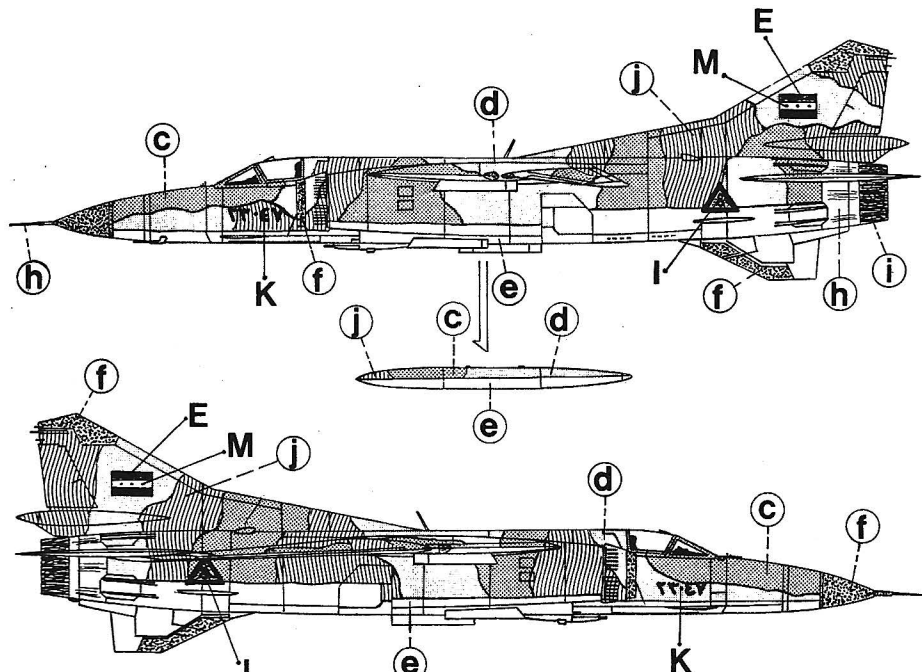


**5** MiG-23 MF Flogger B, German Air Force, Laage A.B., 1991. Former 2nd Sqn, 9th Fighter Wing "Heinrich Rau", East German AF, based at Peenemünde A.B.

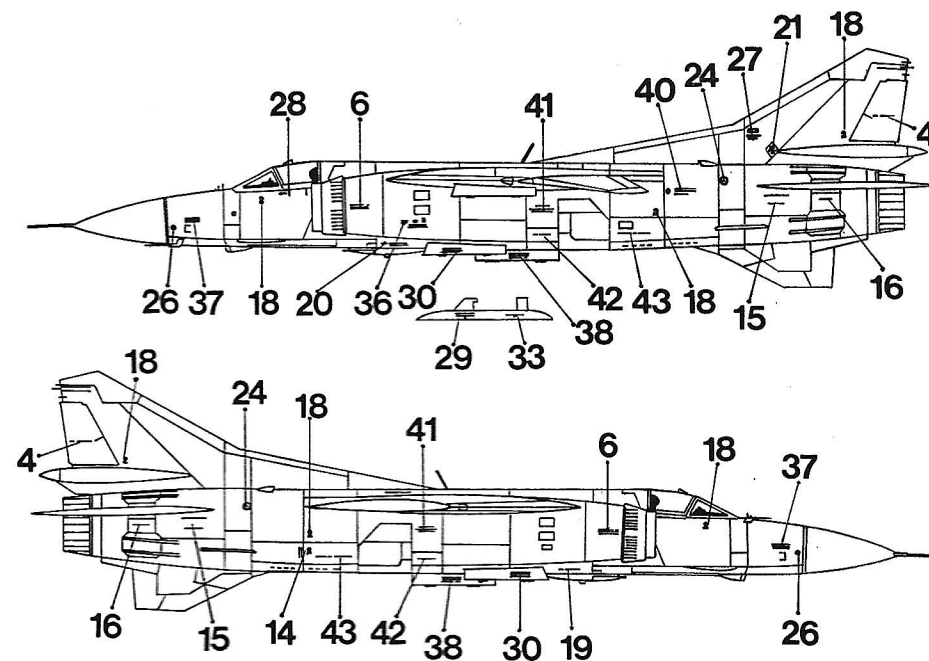
\*\*Use the national markings and tactical numbers from the Hi-Decal Line set 72-017 MiG-27/-23 BN.

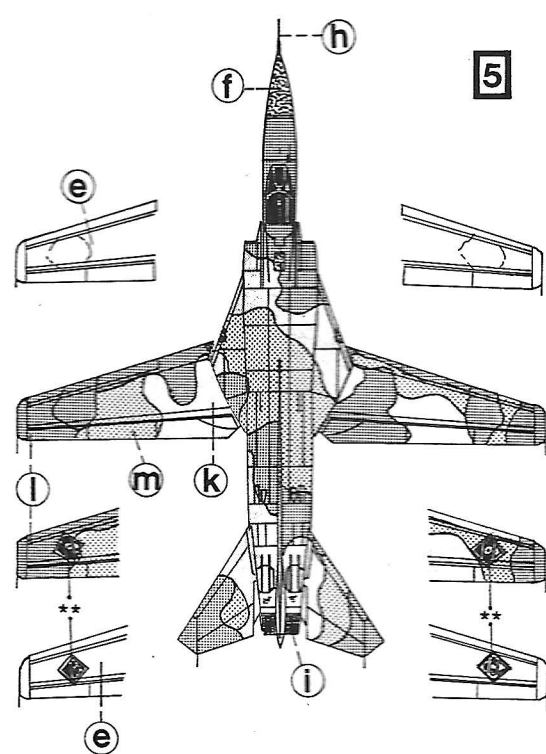
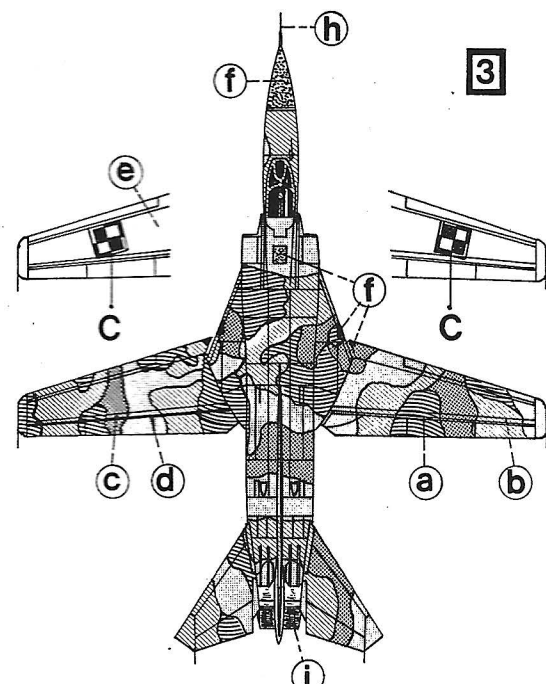
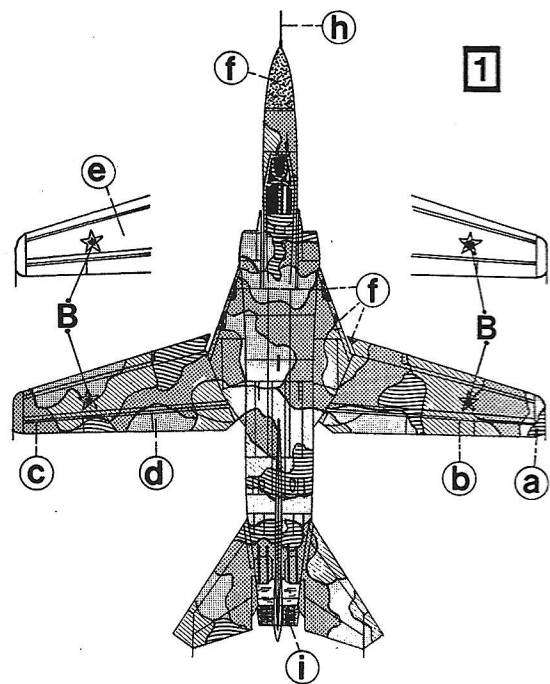


**2** MiG-23 ML Flogger G, Israeli Air Force, Spring 1990. (ex-Syrian AF aircraft, which flew to Israel in the hands of a defecting pilot on October 11, 1989)



**4** MiG-23 MS Flogger E, Iraqi Air Force, 1990-91. This version saw combat against Iranian Phantoms during the Iran-Iraq War.





Weapons:  
Dragon, Mastercraft. 39  
KM-1 Ejection Seat  
from  
MMD True Details

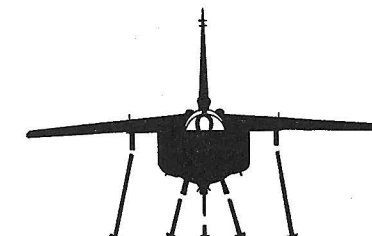
AA-2 Atoll rail



AA-8 Aphid rail



AA-8 Aphid twin rail

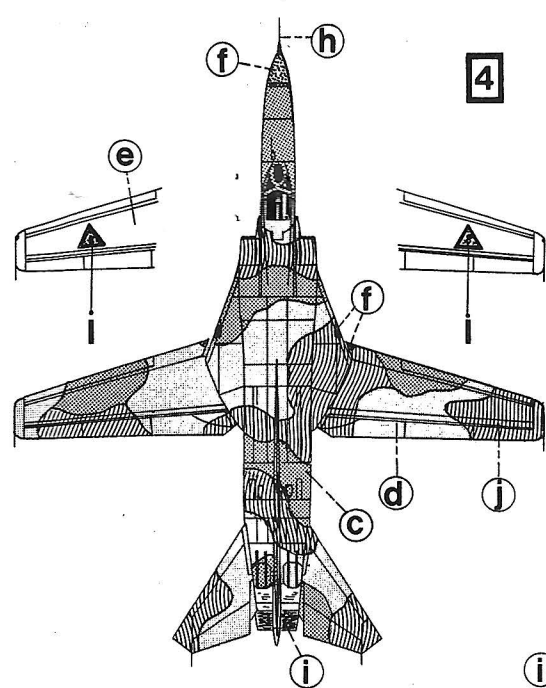
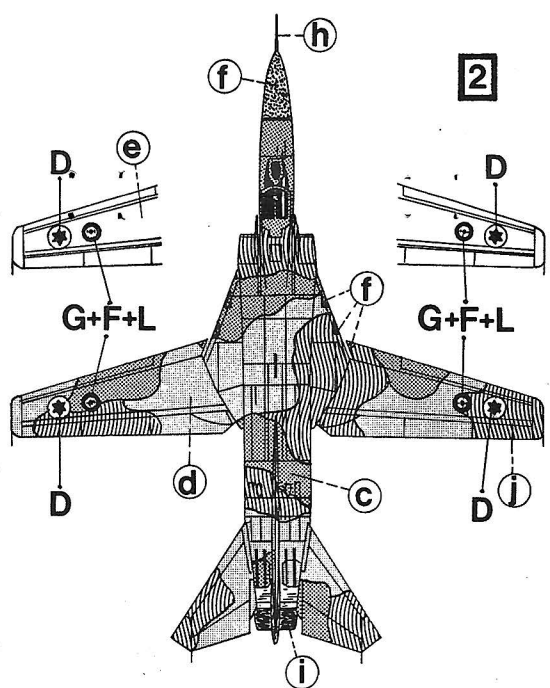


|      |   |   |   |   |   |
|------|---|---|---|---|---|
| 1    | C | E | A | E | B |
| 2    |   | G |   | G |   |
| 3    | C | D |   | D | B |
| 4    | H | H | A | H | H |
| 5    |   | F | A | F |   |
| GDR: | C | D | A | D | B |

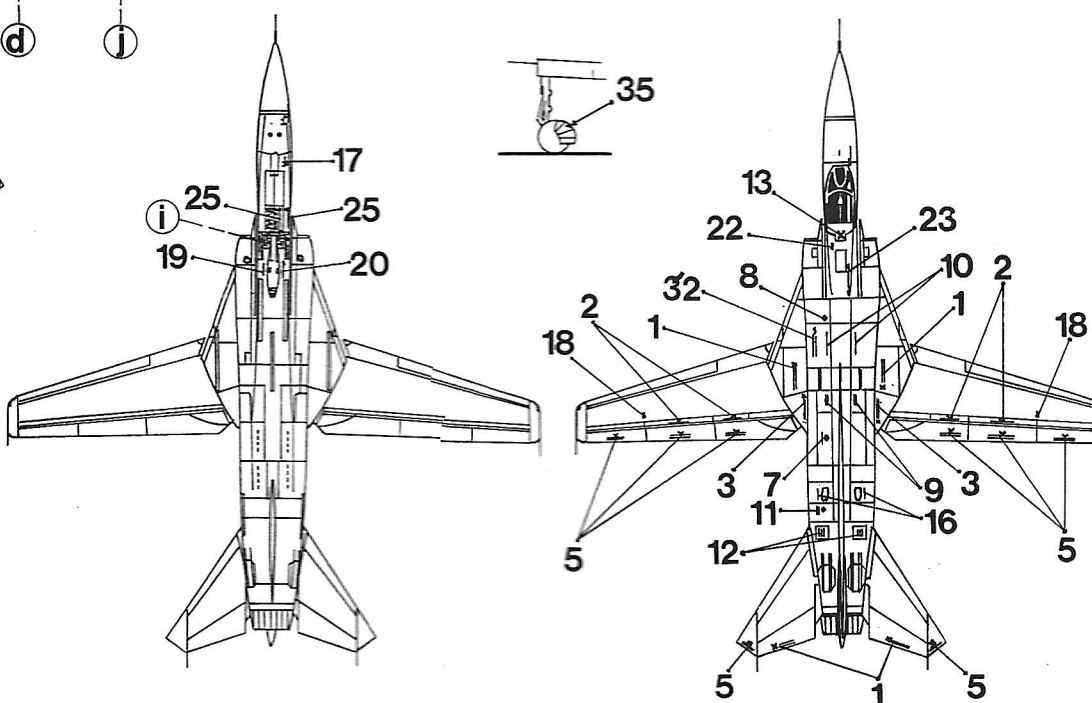
External stores:

- A: 800 l fuel tank.
- B: AA-7 Apex IR version.
- C: AA-7 Apex Radar Homing version.
- D: 2x AA-8 Aphid & twin rail.
- E: AA-8 Aphid.
- F: Twin rail for AA-8.
- G: Single AA-8 rail.
- H: AA-2 Atoll.

Flogger G/K  
Tail Fin



For more details see:  
"MIG-23/27 IN ACTION" Squadron/Signal publications n°101  
"MIG-23 MF" Przegląd konstrukcji lotniczych n°07



Model kits are produced by:  
Academy, Airfix, Hasegawa, Heller.

# MIG-23 FLOGGER B/E/G/K

72-015

|   | Humbrol                  | Model Master |      |
|---|--------------------------|--------------|------|
| a | Dark Brown<br>FS. 30206  | 113          | —    |
| b | Mid Green<br>FS. 34226   | 78           | —    |
| c | Dark Green<br>FS. 34079  | 116          | 1710 |
| d | Sand<br>FS. 33613        | 148          | 1709 |
| e | Light Blue<br>FS. 35622  | 122          | 1722 |
| f | Radome Grey<br>FS. 36173 | 156          | —    |
| g | Black<br>FS. 37038       | 33           | 1749 |
| h | Aluminium                | Metalcote    | 1781 |
| i | Steel                    | Metalcote    | 1780 |
| j | Earth Brown<br>FS. 30219 | 119          | 1742 |
| k | Tan<br>FS. 33303         | 84           | —    |
| l | Olive Green<br>FS. 34052 | 75           | —    |
| m | Light Olive<br>FS. 34097 | 105          | 1712 |

© Rogoz