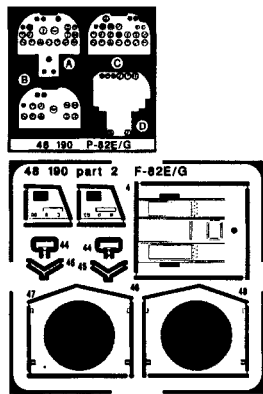
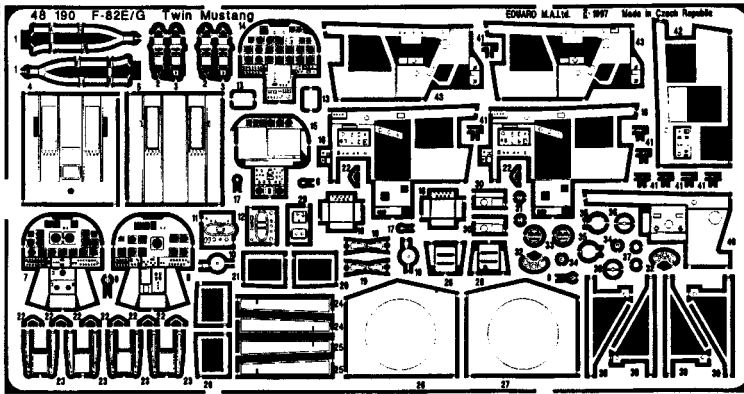







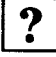


F-82E/G Twin Mustang

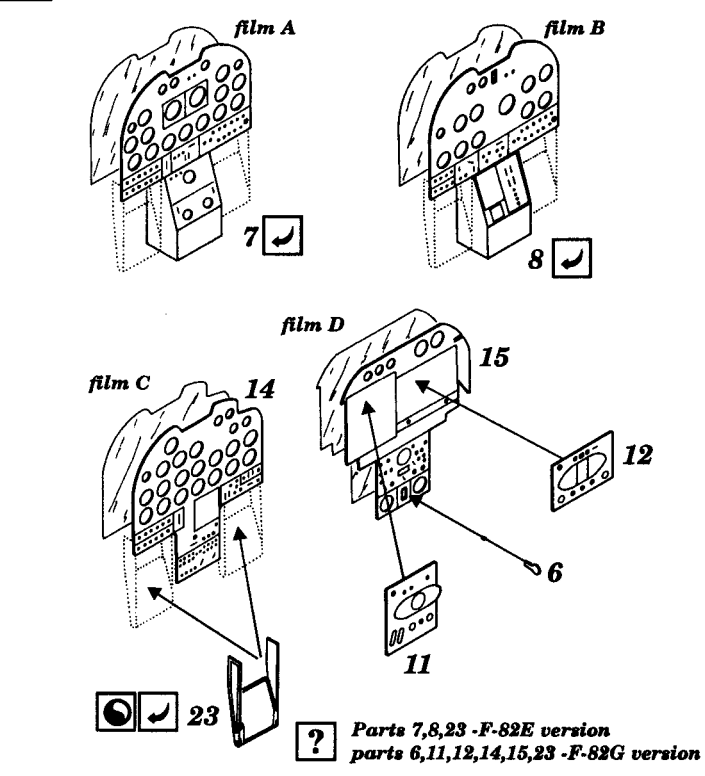
1/48 scale detail set for Modelcraft kit

48 190

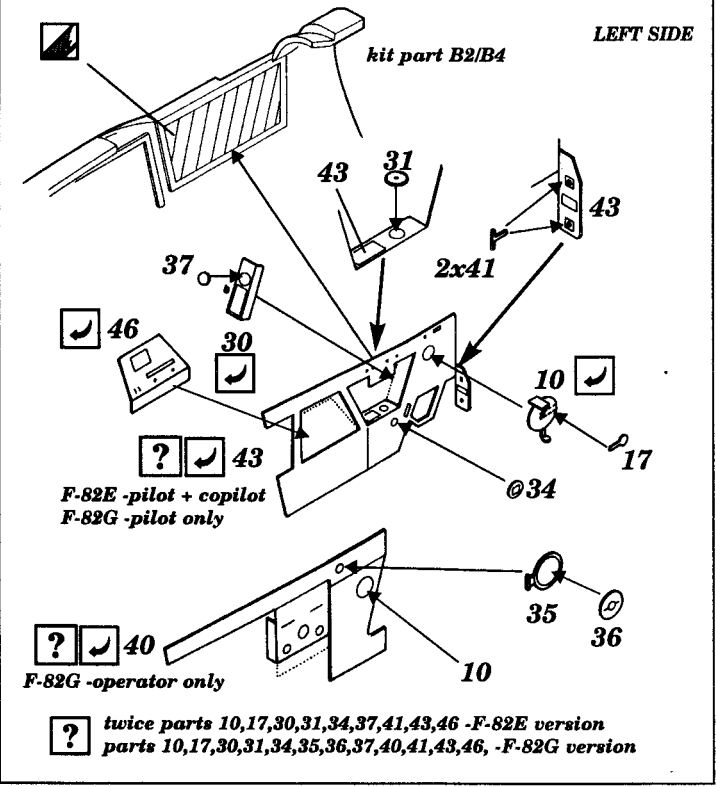
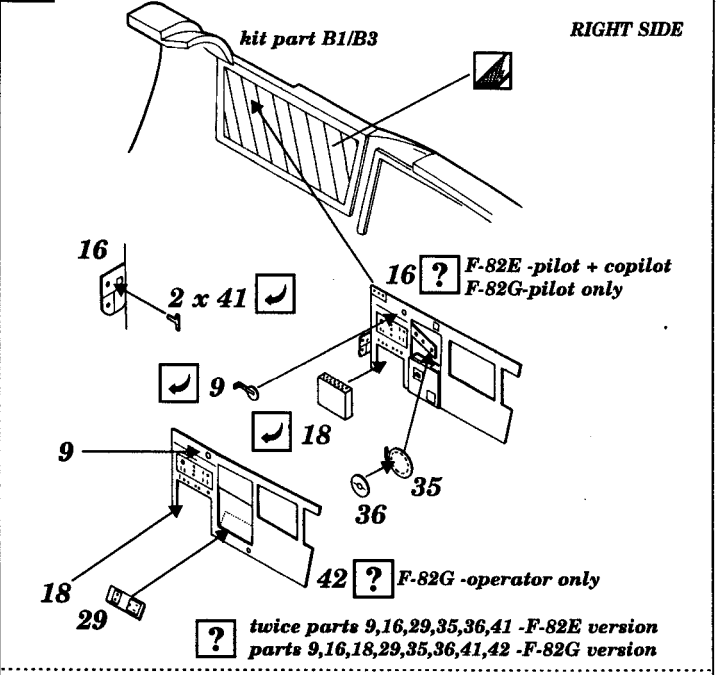


-  OPPOSITE SIDE
-  REMOVE
-  BEND
-  REPLACE
-  GRIND
-  OPTION

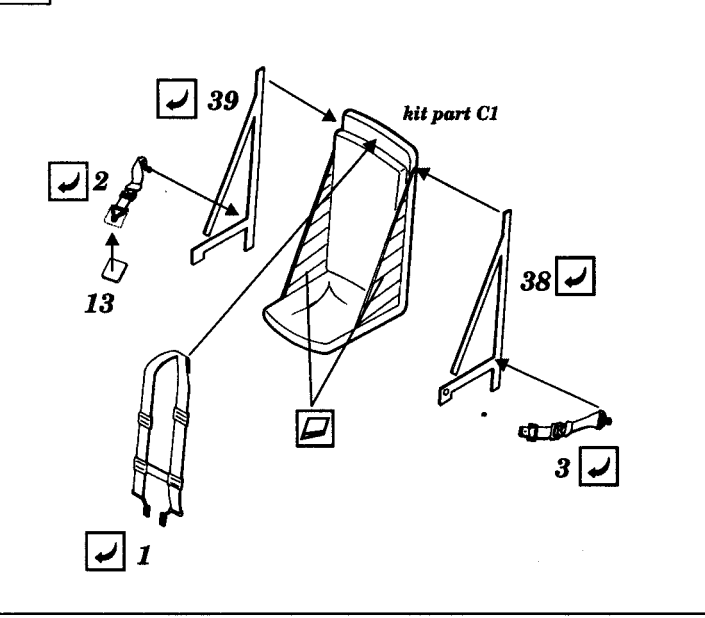
A INSTRUMENT PANELS



B INTERIOR ASSEMBLY

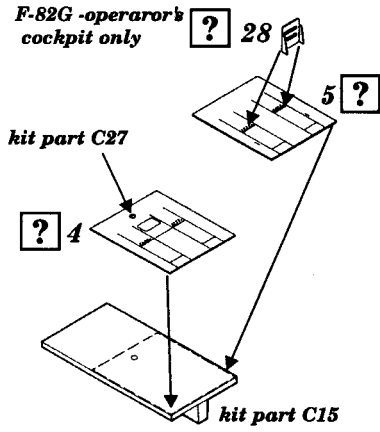


C SEAT



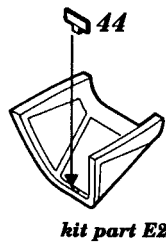
D INTERIOR FLOOR

F-82G - operator's cockpit only

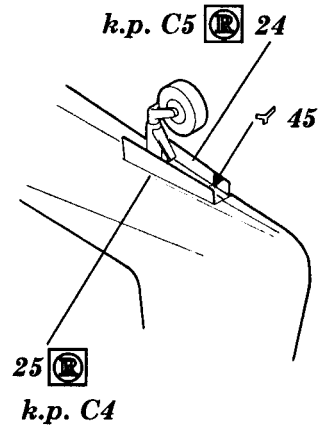


? twice part 4 - F-82E
parts 4,5,28 - F-82G

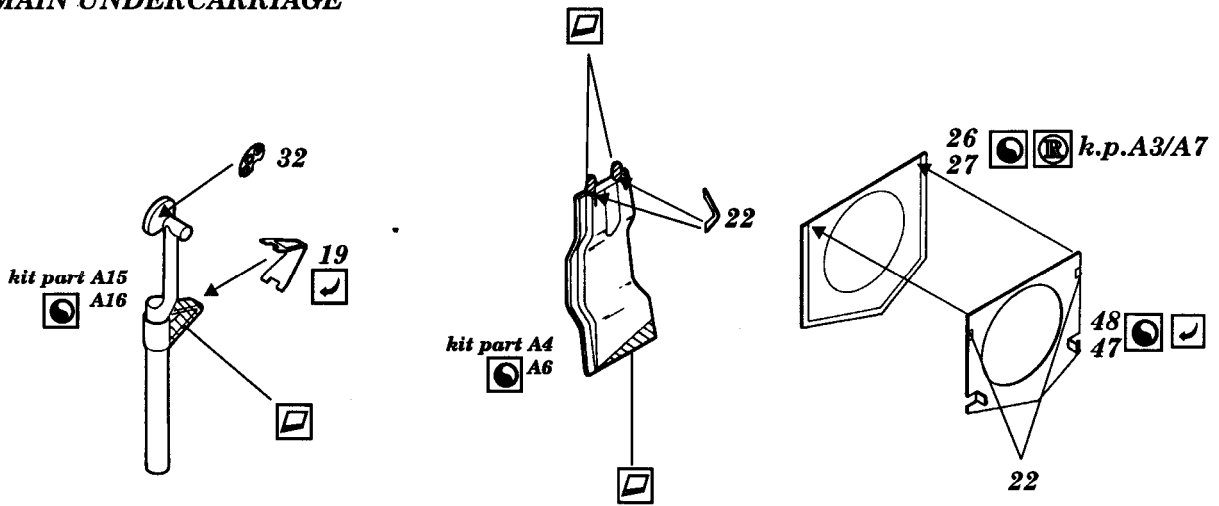
E REAR VIEW MIRROR



F TAIL UNDERCARRIAGE.



G MAIN UNDERCARRIAGE



H EXTERNAL PARTS

