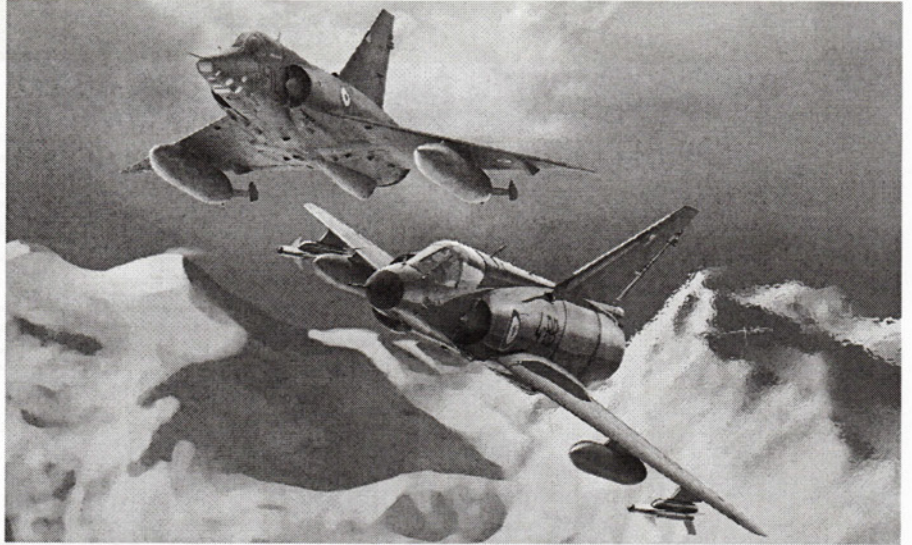


# MIRAGE IIIE



## MIRAGE IIIE /O/R/RD/EE/EA

Mirage IIIE is a single-seat tactical strike and fighter-bomber aircraft, with 30 cm fuselage plug to accommodate an additional avionics bay behind the cockpit. Fitted with Cyrano II radar with additional air-to-ground modes compared to Mirage IIIC, improved navigation equipment, including TACAN and a Doppler radar in undernose bulge. Powered by an Atar 09C-3 turbojet engine.

The first production Mirage IIIE was delivered in January 1964, and a total of 192 were eventually delivered to the service. Total production of the Mirage IIIE, including exports, was totaling 523 aircraft.

Mirage IIIEA: Mirage IIIE for the Argentine Air Force. 17 built.

Mirage IIIEE: Mirage IIIE for the Spanish Air Force, locally designated C.11. 24 delivered from 1970.

Mirage IIIO is a single-seat all-weather fighter-bomber aircraft for the Royal Australian Air Force. Order placed for aircraft based on Mirage IIIE, powered by Atar engine in March 1961. 100 aircraft built, of which 98 were built under licence in Australia. The first 49 were Mirage IIIO(F) interceptors which were followed by 51 Mirage IIIO(A) fighter bombers.

Mirage IIIR is a single-seat all-weather reconnaissance aircraft, with radar replaced by camera nose carrying up to five cameras. Aircraft based on IIIE airframe but with simpler avionics similar to that fitted to the IIIC and retaining cannon armament of fighters. 2 prototypes and 50 production aircraft built for the French Air Force.

Mirage IIIRD: Single-seat all-weather reconnaissance aircraft for the French Air Force, equipped with improved avionics, including under-nose doppler radar as in the Mirage IIIE. 20 built.

### CAUTION

\*Read carefully and fully understand the instructions before commencing assembly.

\*Keep out of reach of children. Children must not be allowed to put any parts in their mouths, or pull plastic bag over their heads.

\*When using adhesives and paints, please make sure not to use them in closed room or near the fire.

\*When assembling this kit, tools including knives are used. Extra care should be taken to avoid injury.

**WARNING: CONTAIN SMALL PARTS NOT FOR CHILDREN UNDER 14 YEARS OF AGE.**



Drill



Remove



2 Set



Bend



Optional



Decal



Super Glue



Fill Hole



No Cement



Be Careful

### TOOLS RECOMMENDED

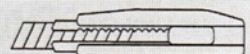
Cement



Side Cutter



Modeling Knife

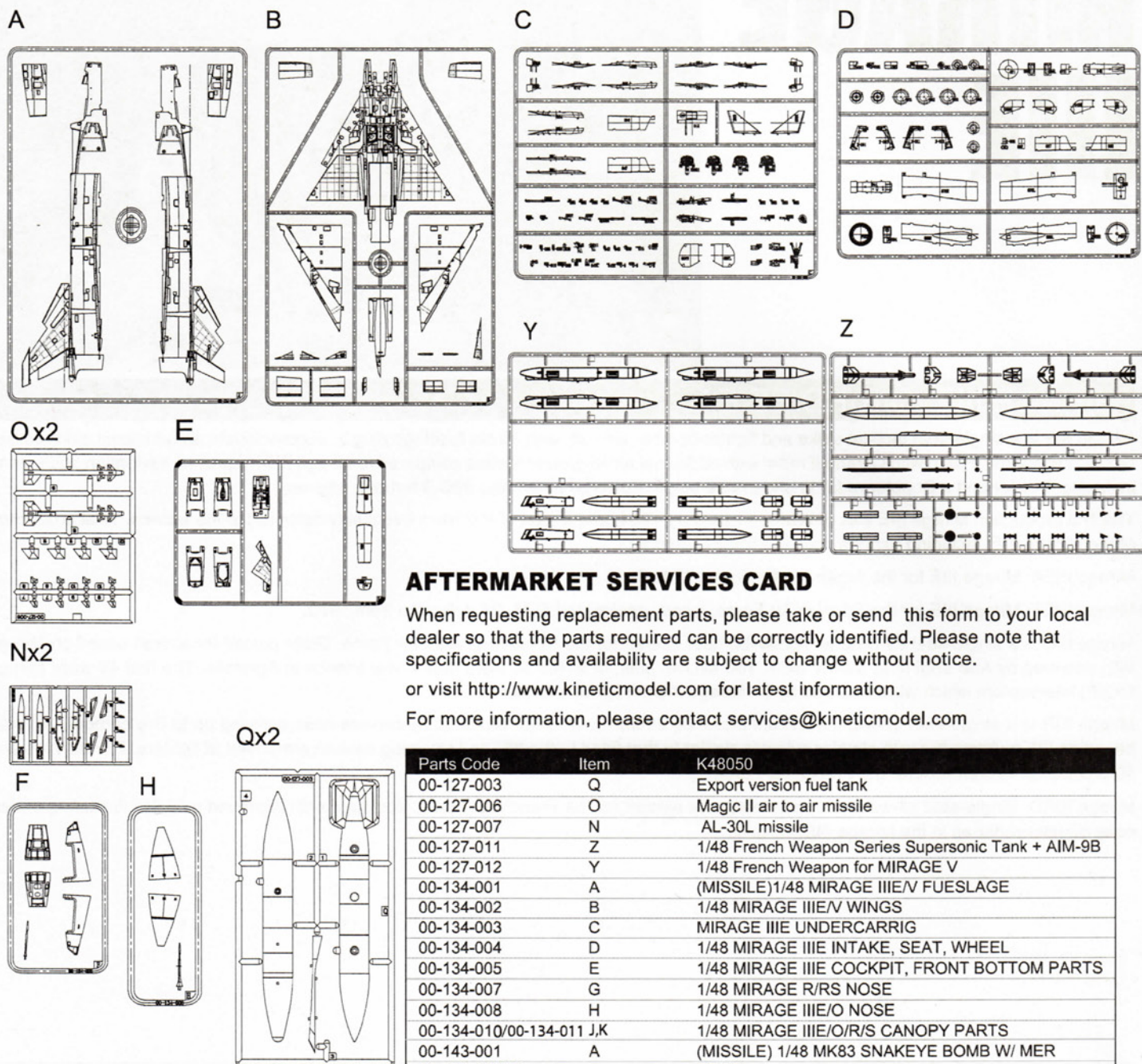


Tweezers





**1/48 SCALE AIRCRAFT SERIES NO: K48050**



**AFTERMARKET SERVICES CARD**

When requesting replacement parts, please take or send this form to your local dealer so that the parts required can be correctly identified. Please note that specifications and availability are subject to change without notice. or visit <http://www.kineticmodel.com> for latest information. For more information, please contact [services@kineticmodel.com](mailto:services@kineticmodel.com)

Parts Code	Item	K48050
00-127-003	Q	Export version fuel tank
00-127-006	O	Magic II air to air missile
00-127-007	N	AL-30L missile
00-127-011	Z	1/48 French Weapon Series Supersonic Tank + AIM-9B
00-127-012	Y	1/48 French Weapon for MIRAGE V
00-134-001	A	(MISSILE)1/48 MIRAGE IIIE/V FUESLAGE
00-134-002	B	1/48 MIRAGE IIIE/V WINGS
00-134-003	C	MIRAGE IIIE UNDERCARRIG
00-134-004	D	1/48 MIRAGE IIIE INTAKE, SEAT, WHEEL
00-134-005	E	1/48 MIRAGE IIIE COCKPIT, FRONT BOTTOM PARTS
00-134-007	G	1/48 MIRAGE R/RS NOSE
00-134-008	H	1/48 MIRAGE IIIE/O NOSE
00-134-010/00-134-011 J,K		1/48 MIRAGE IIIE/O/R/S CANOPY PARTS
00-143-001	A	(MISSILE) 1/48 MK83 SNAKEYE BOMB W/ MER
01-134-48050		DECAL
03-134-48050		MANUAL

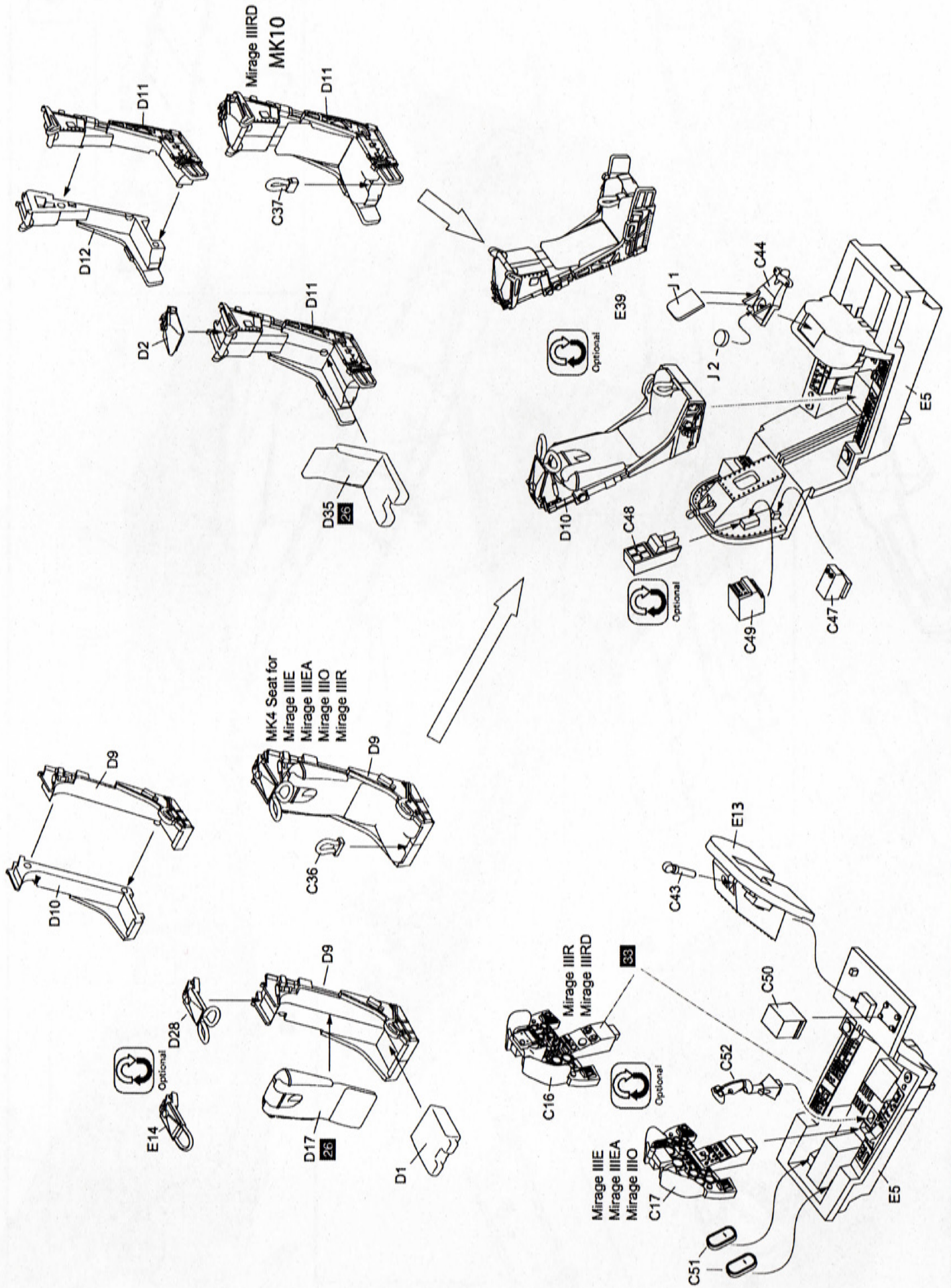
**PAINT INDEX**

Color	Humbrol Enamel/acrylic	Gsi Creos Mr. Color	Italeri Arcylic Paint	Tamiya Enamel/acrylic	Ammo Mig	Vallejo Model Color
Flat Black	33	33	4768ap	Xf-18	46	950
Flat White	34	-	4796ap	X-2	47	951
Clear Red	1321	47	-	X-27	93	934
Clear Green	1325	138	-	X-25	92	-
Us Ghost Grey	127	308	-	-	-	-
Metal Cote	27001	8	4678ap	-	-	521
Gun Metal	53	-	4681ap	X-10	45	863
Khaki Grey	26	55	-	Xf-49	-	880
Steel Grey	87	-	-	X-18	-	821
Sea Light Grey (Fs36118)	85	317	4313ap	-	-	868
French Green	30	73	4729ap	Xf-61	-	895
FS 35237	145	337	4761AP	-	-	-
FS 36375	128	53	-	-	203	986
Zinc Chromate	81	-	-	-	-	-
Silver	11	8	4678ap	-	-	70790
Khaki	26	55	-	Xf-49	-	70880

33 denotes Humbrol Paints

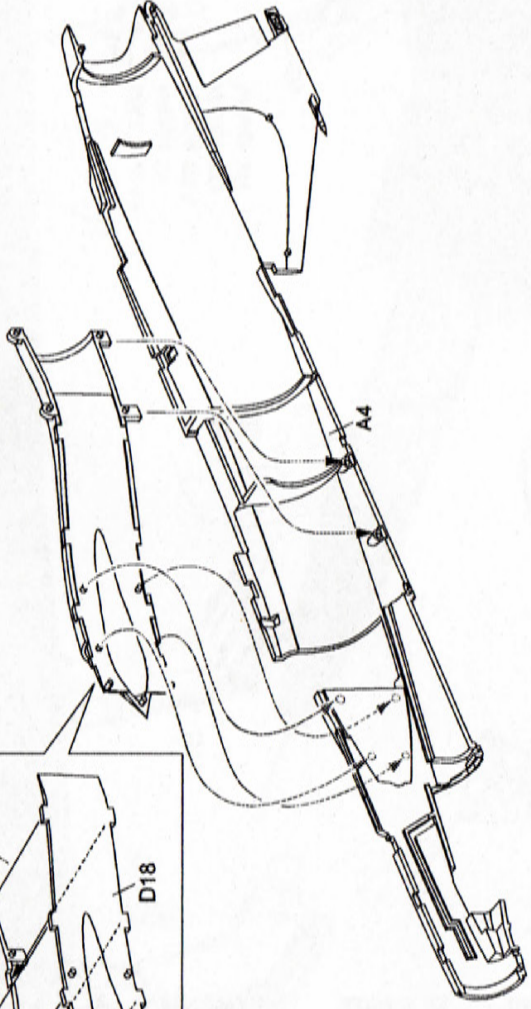
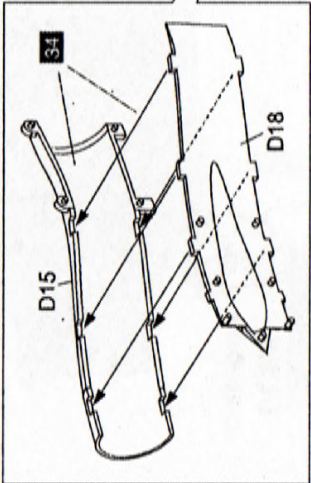


1

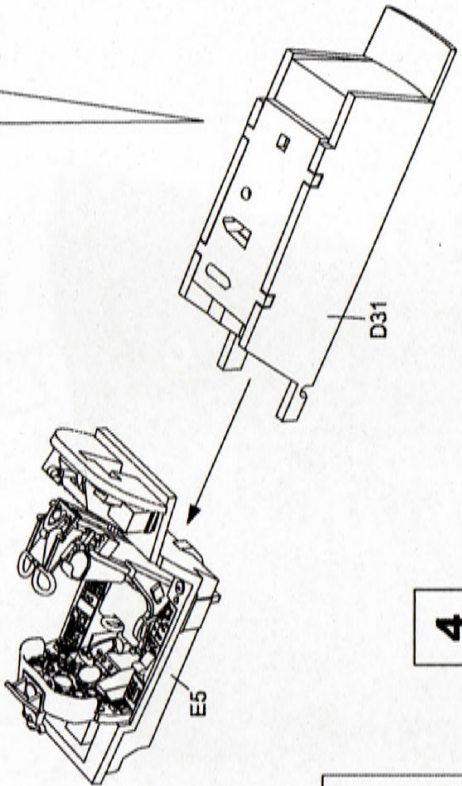
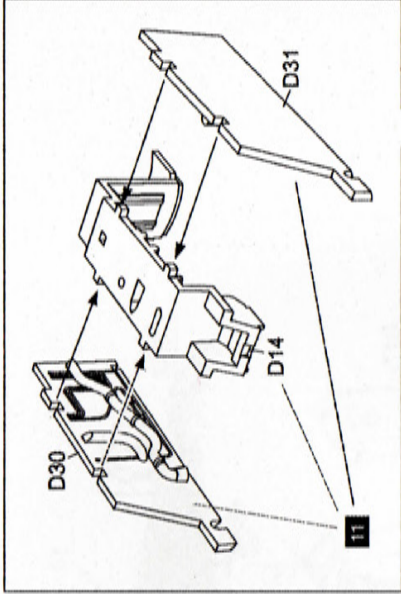




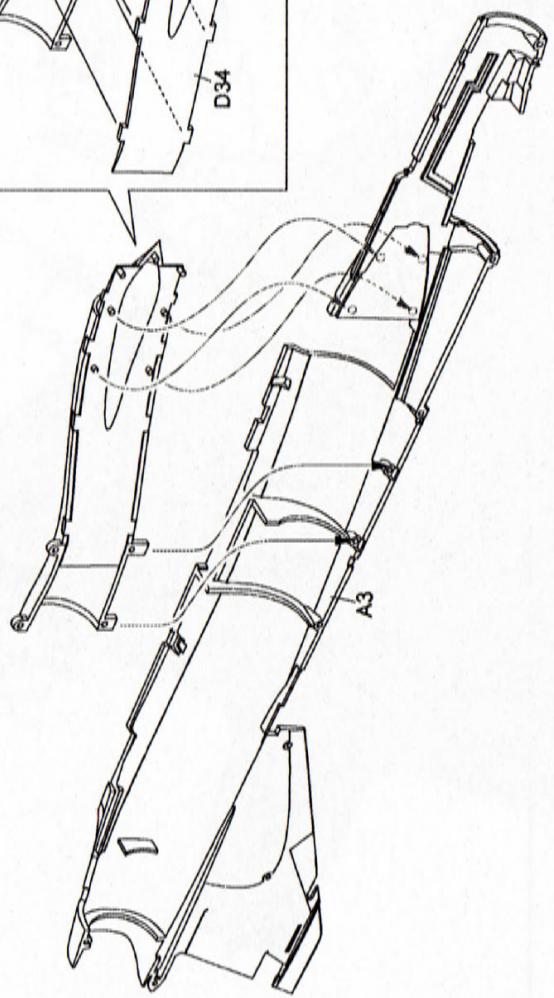
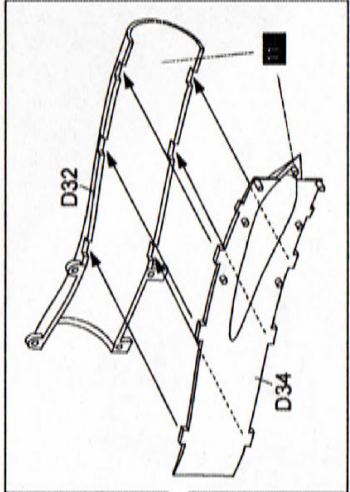
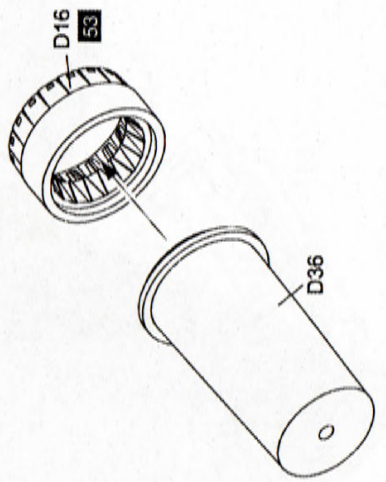
2



3

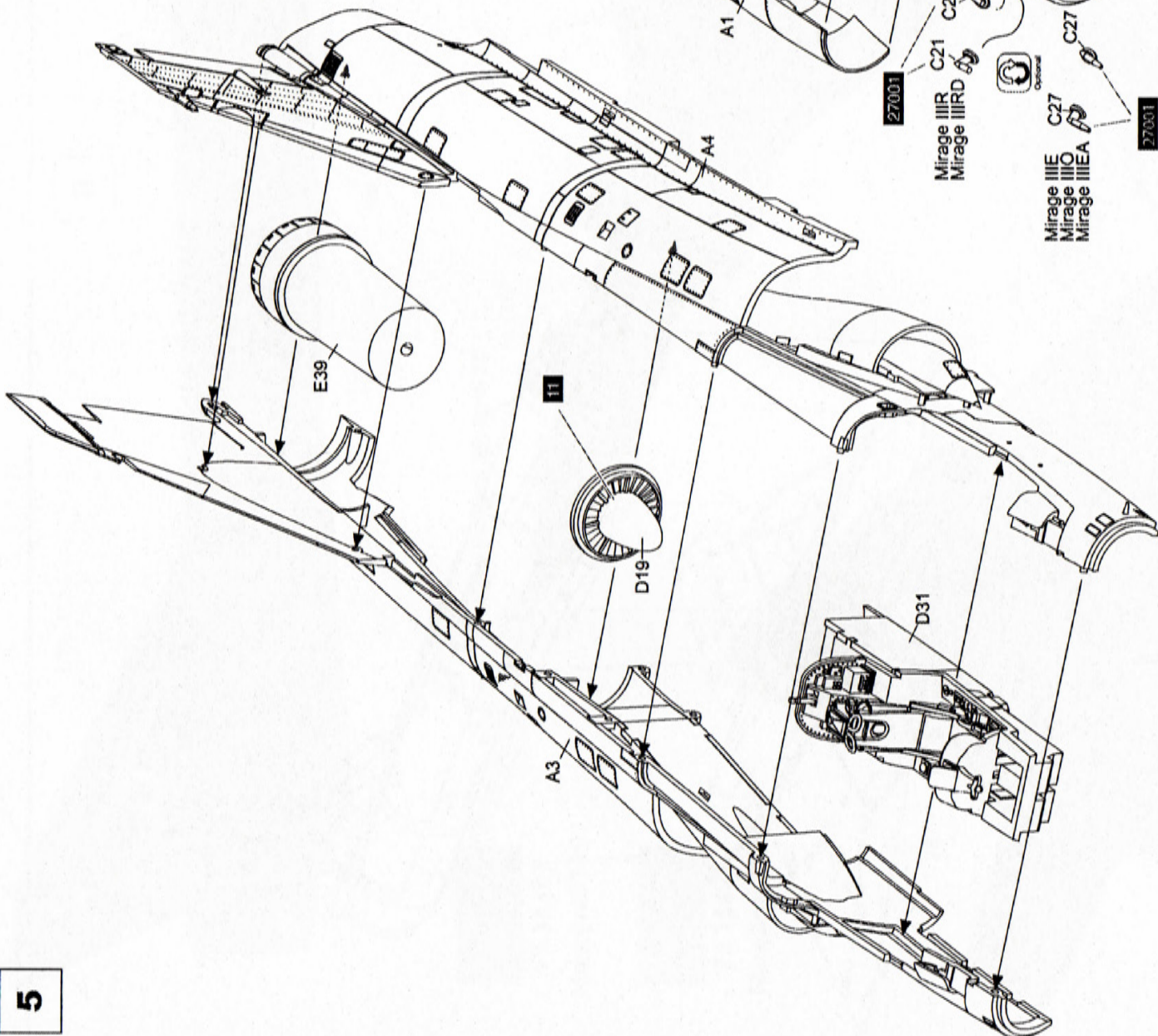


4

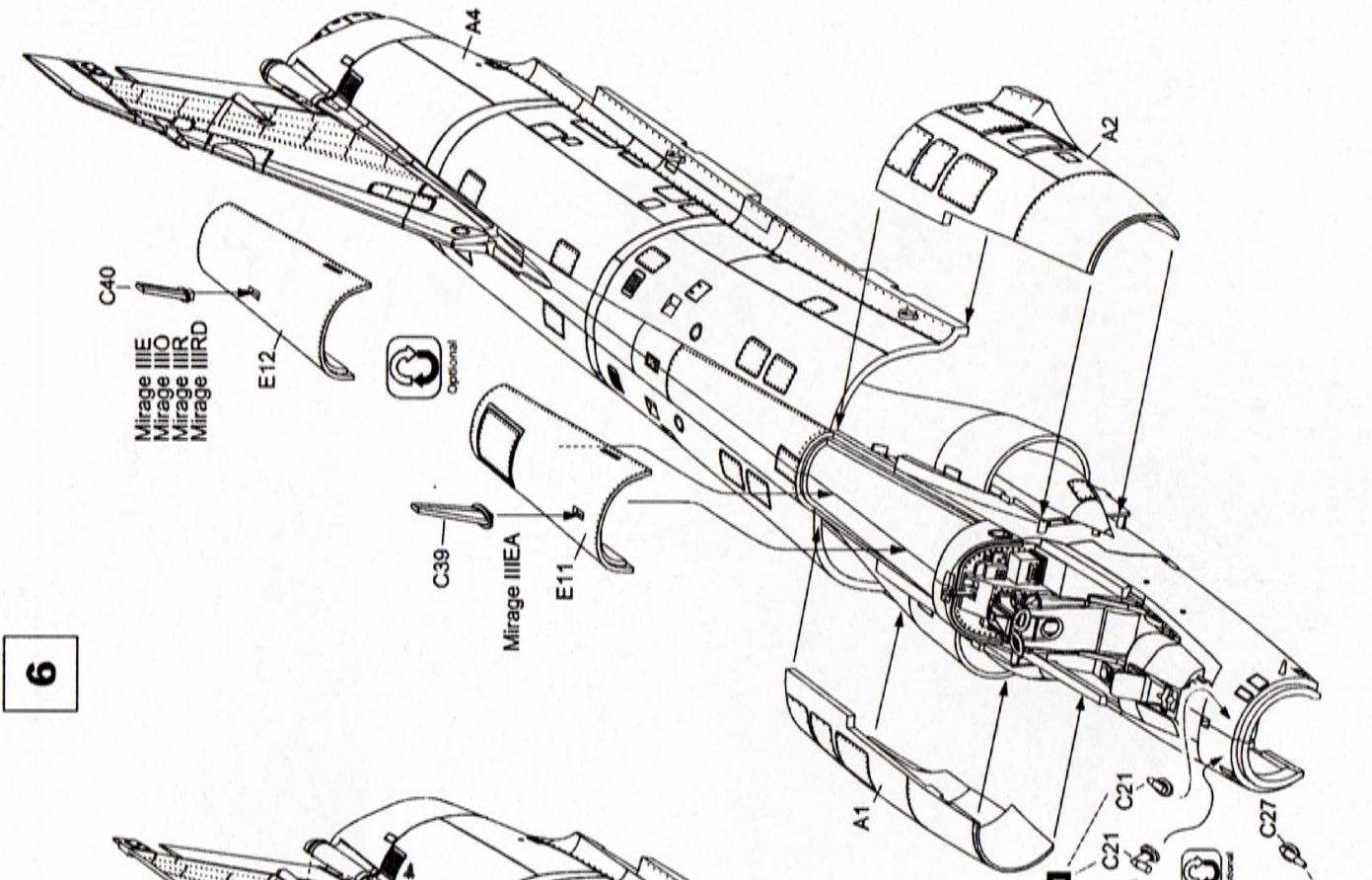




5

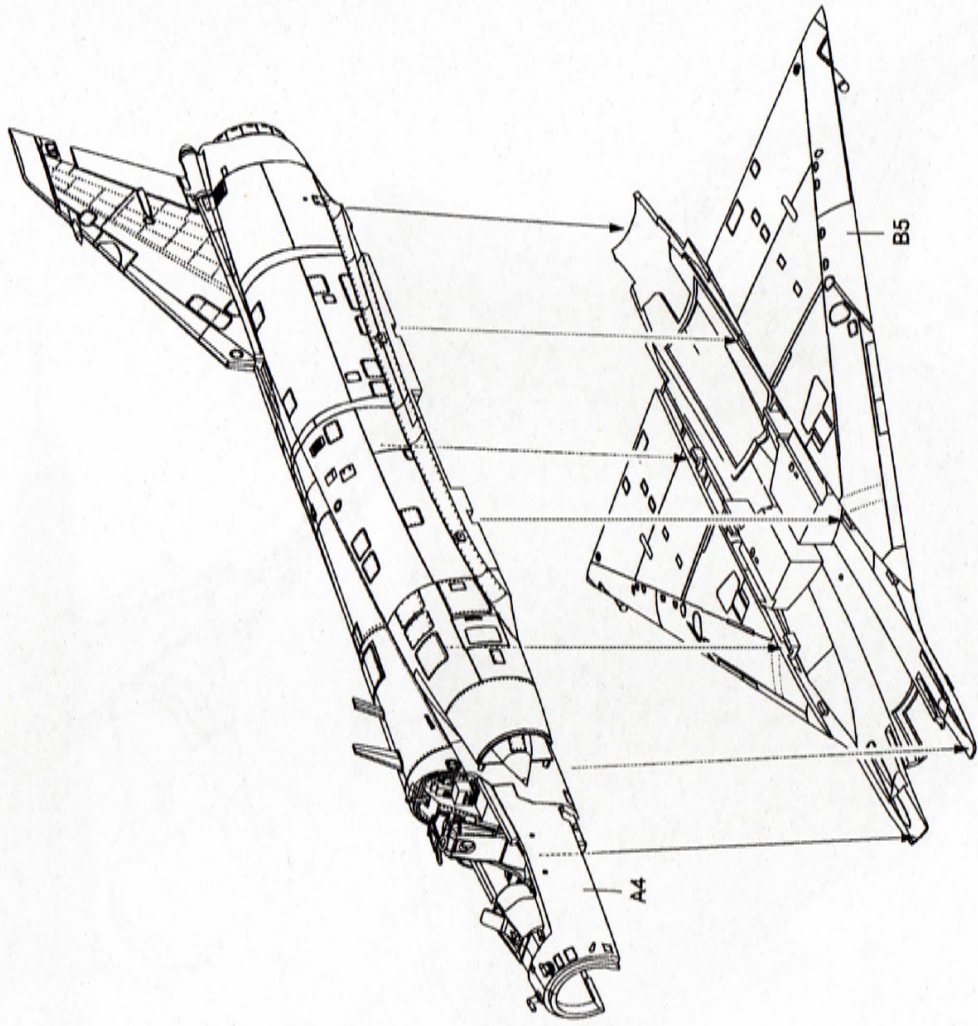


6

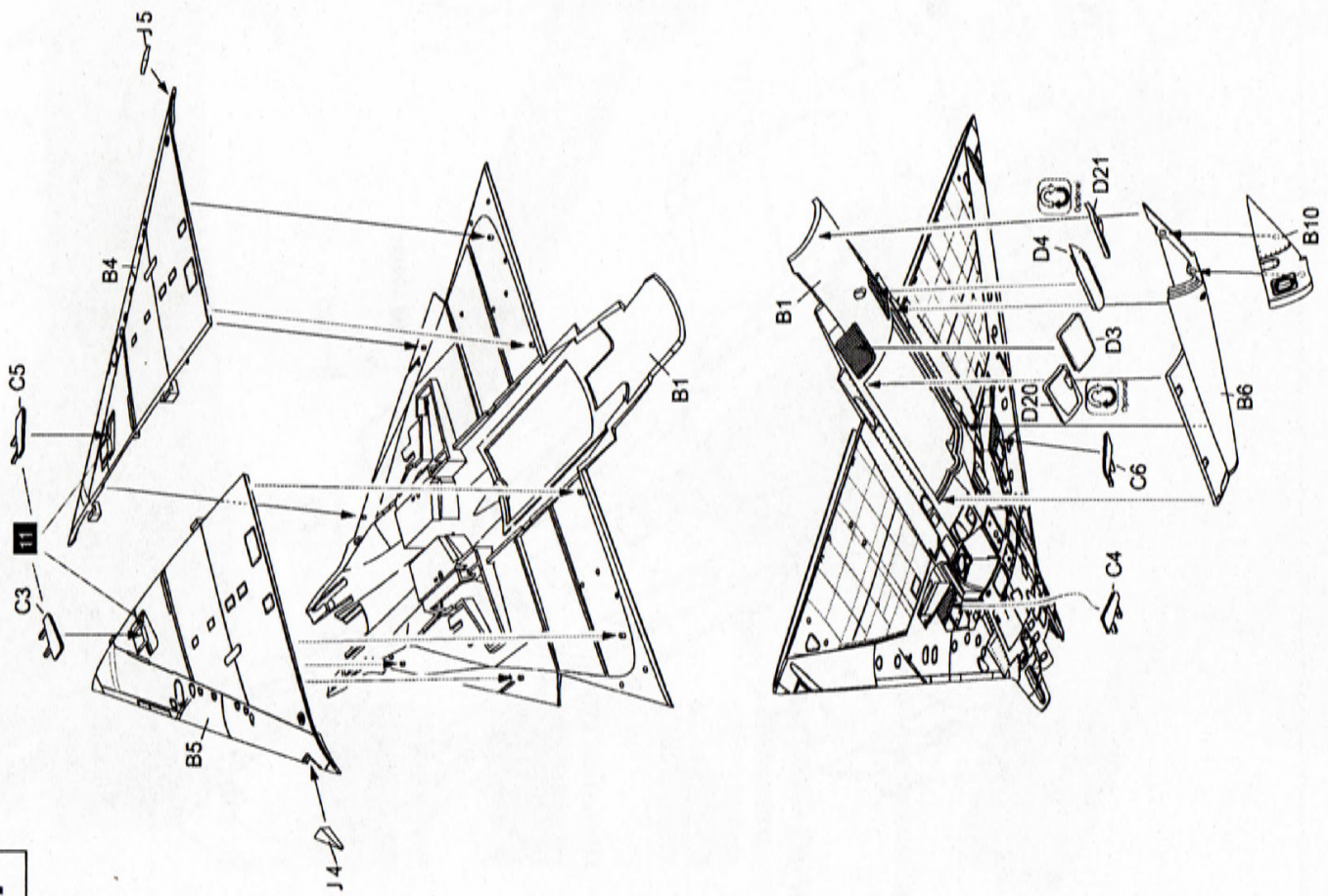




8

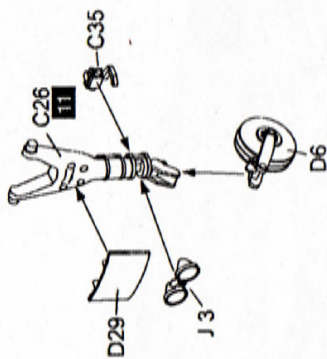
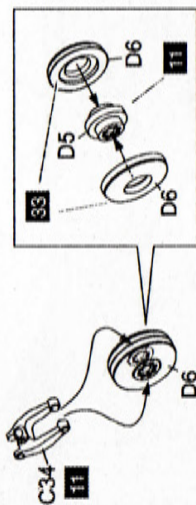


7

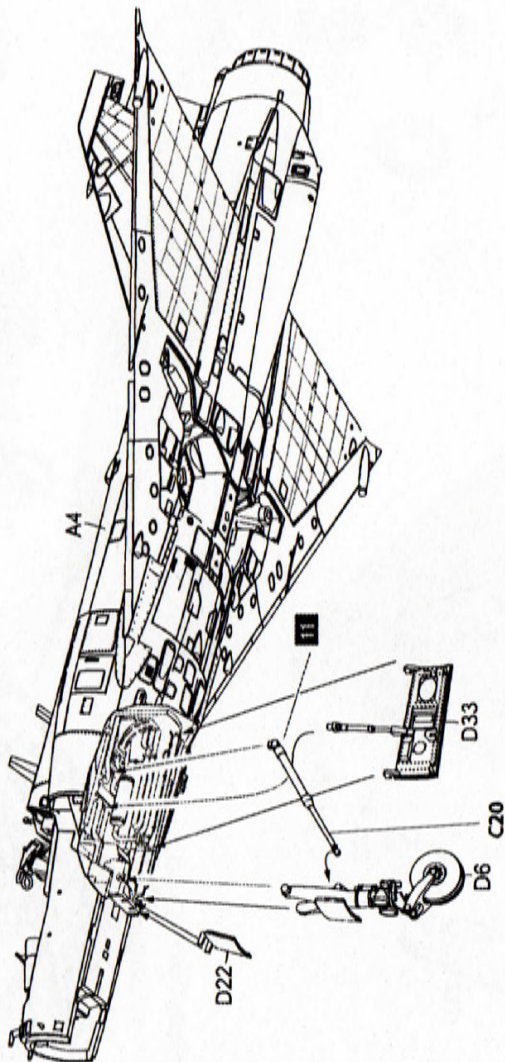




9

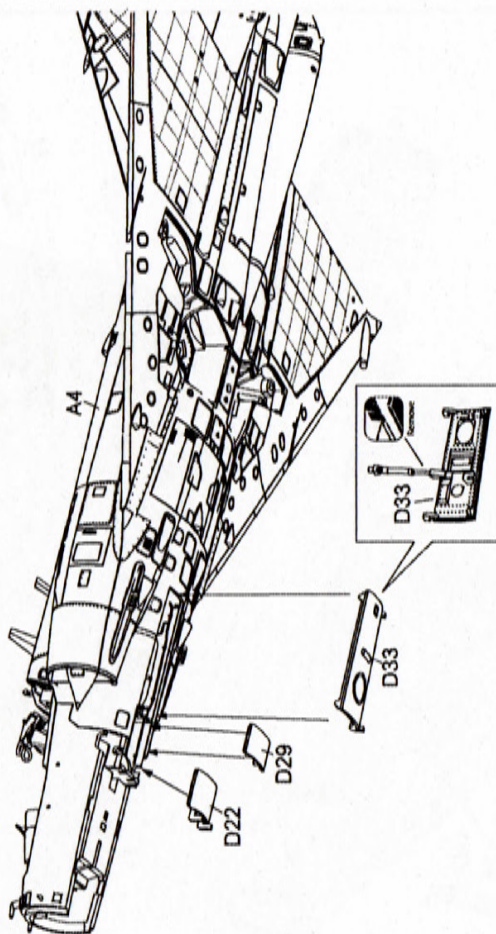


10



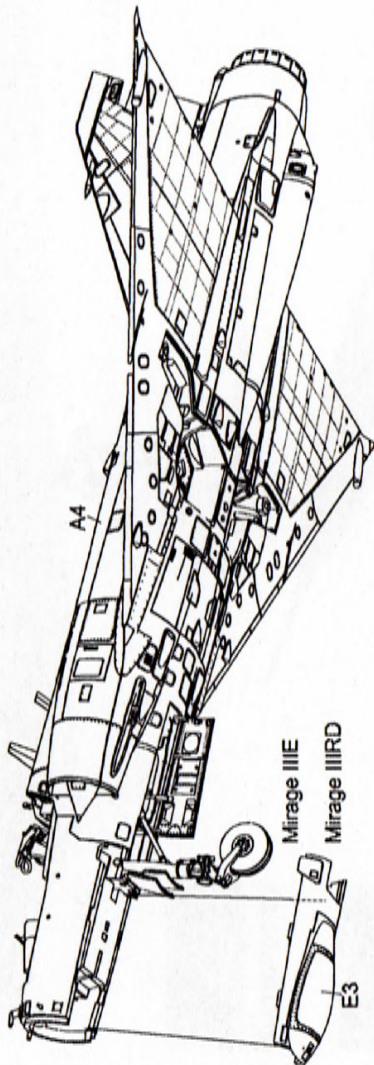
11

(IN-Flight Position)



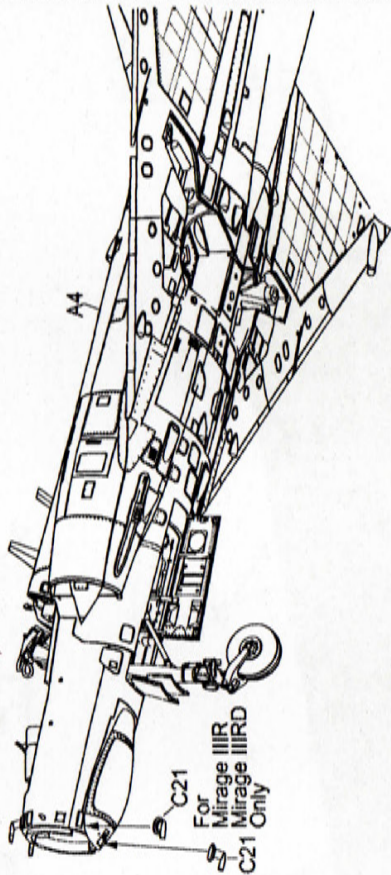


12

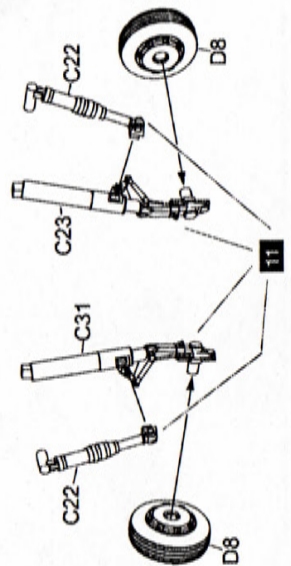
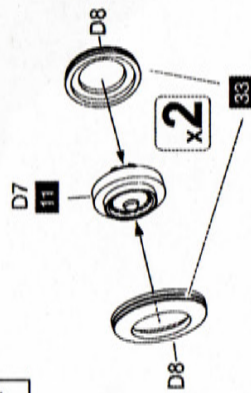


Mirage IIIIO  
Mirage IIIIR  
Mirage IIIIEA

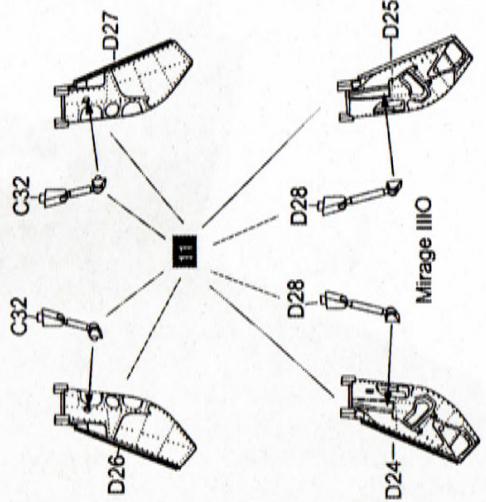
13



14

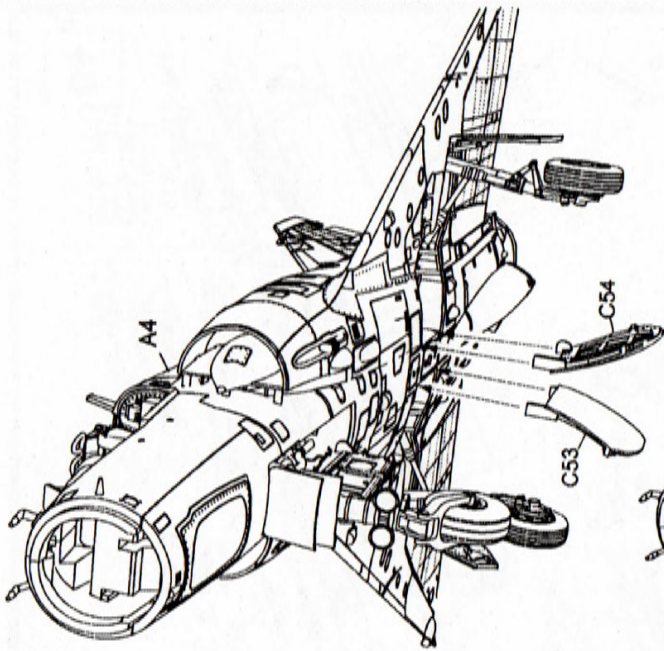


Mirage IIIIE





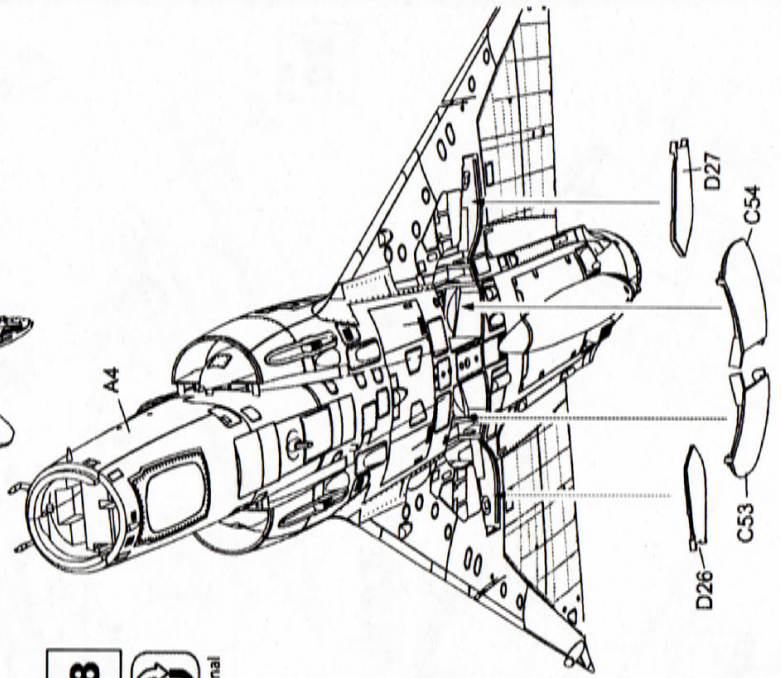
17



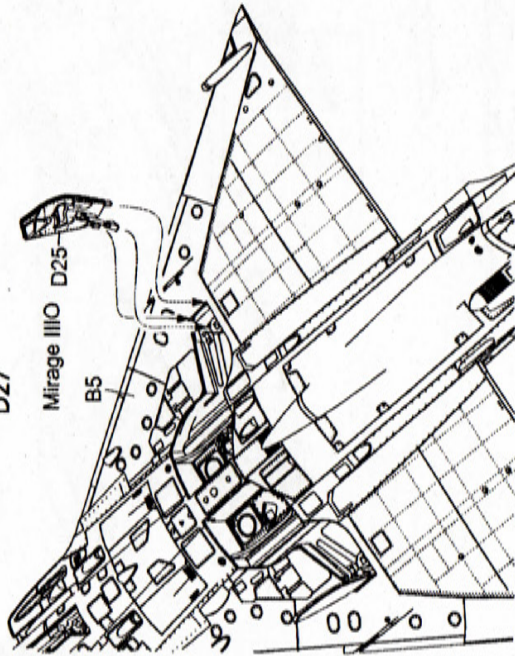
18



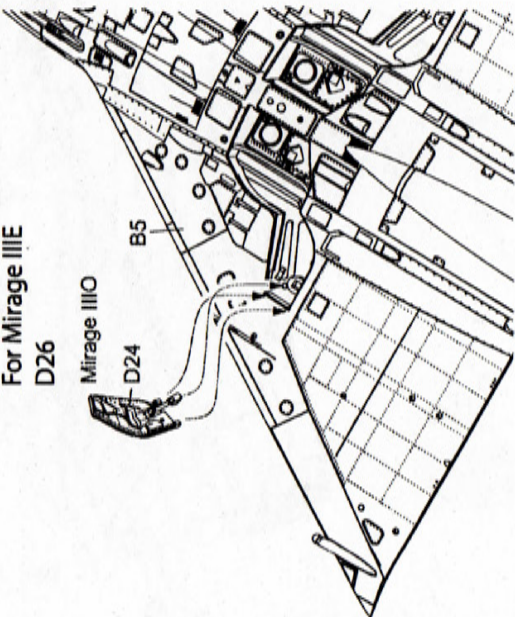
Optional



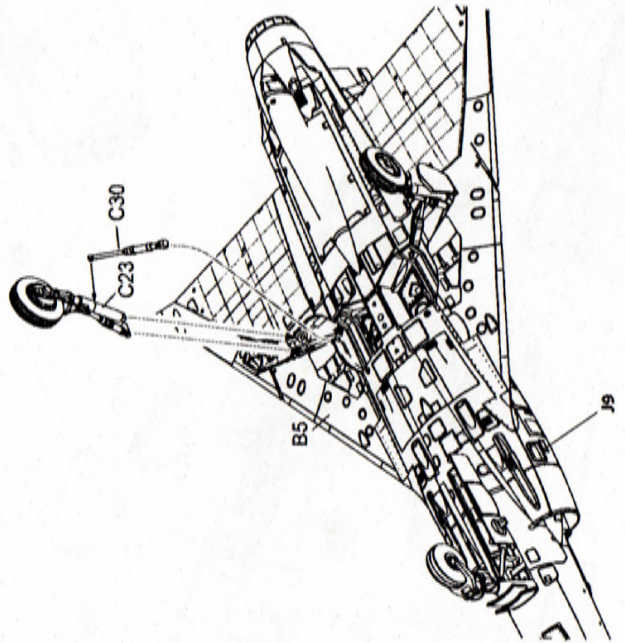
For Mirage IIIE  
D27



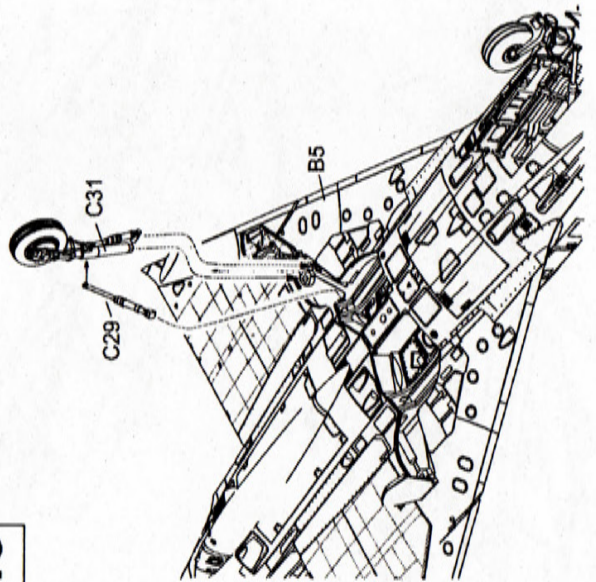
For Mirage IIIE  
D26



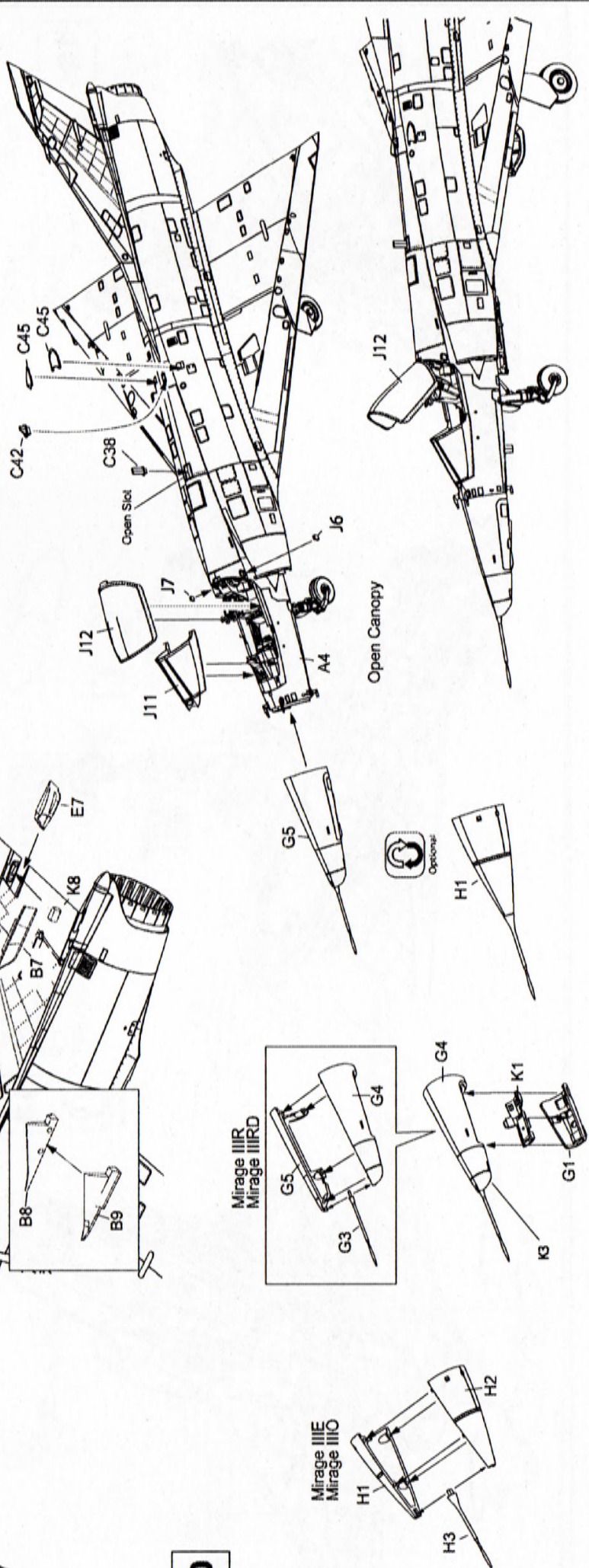
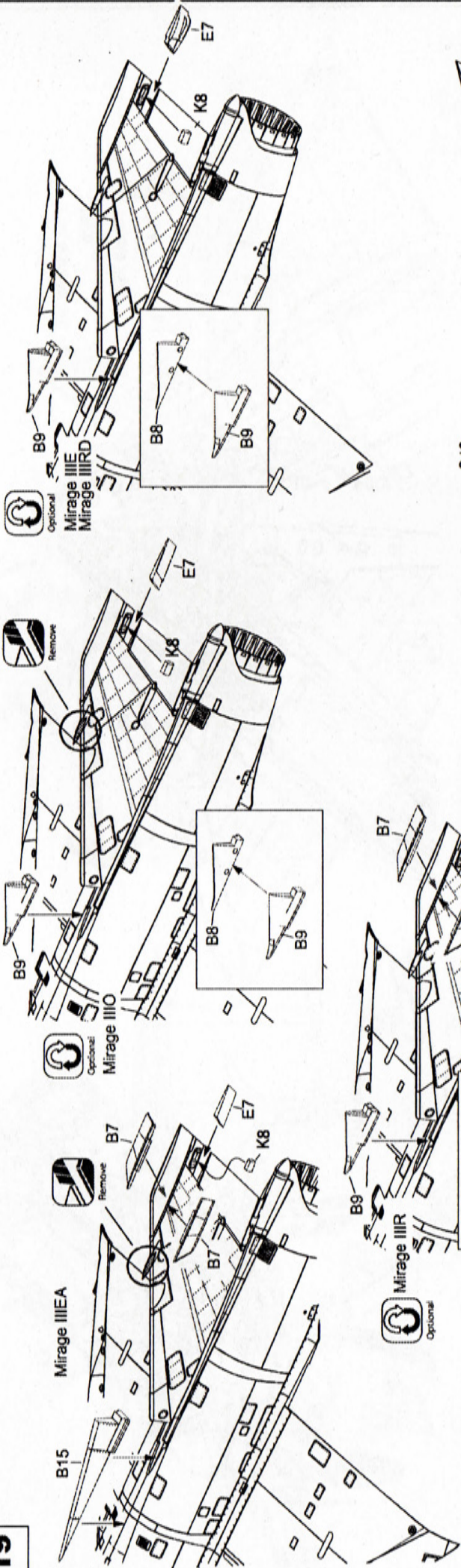
15



16

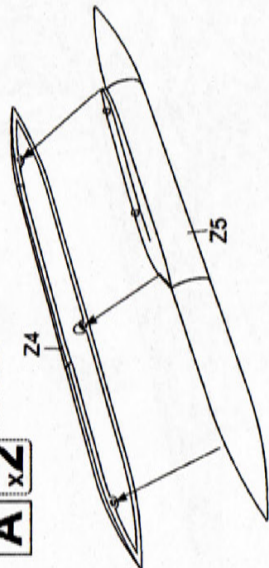




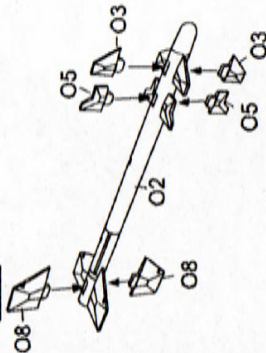




**A** x2 RP19R

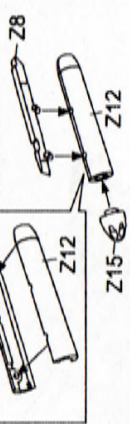


**B** MAGIC I / II

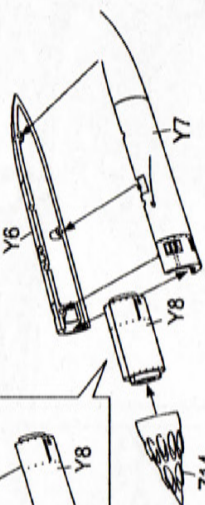
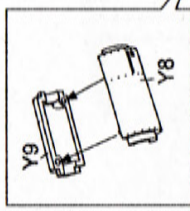


**E** x2

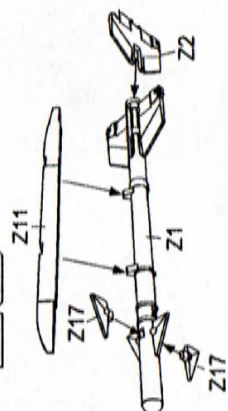
LAU 32



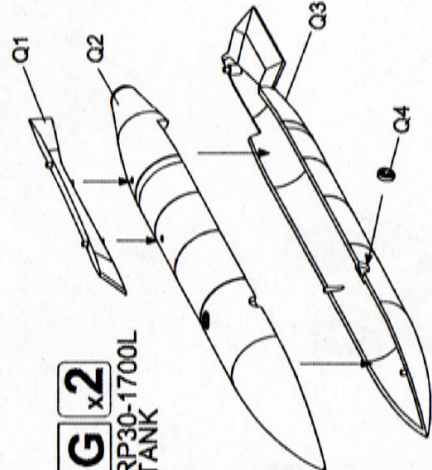
**D** x2 JL100



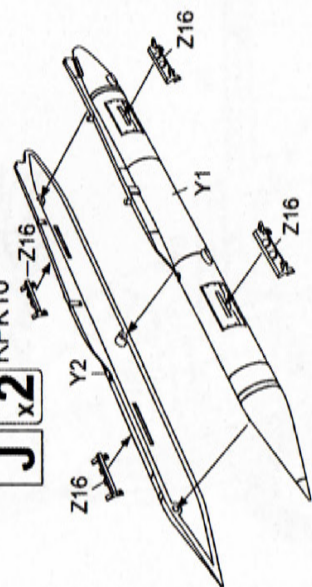
**F** x2 AIM-9B



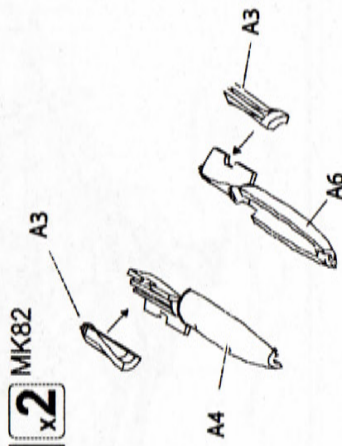
**G** x2 RP30-1700L TANK



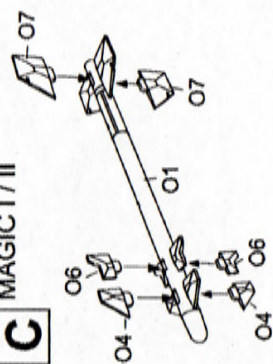
**J** x2 RPK10



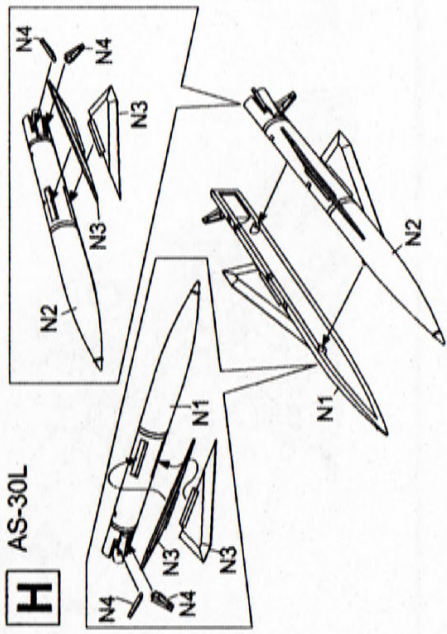
**K** x2 MK82



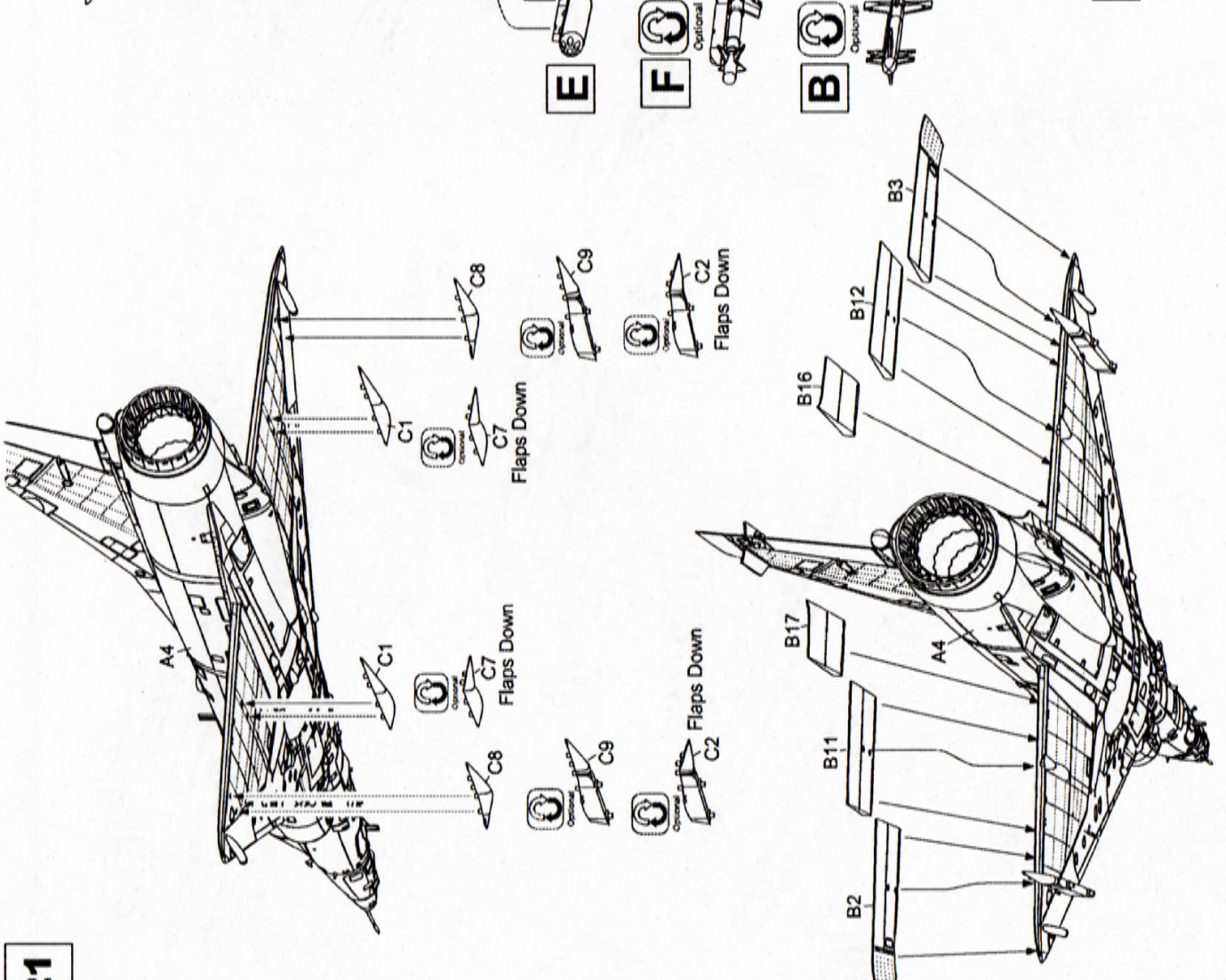
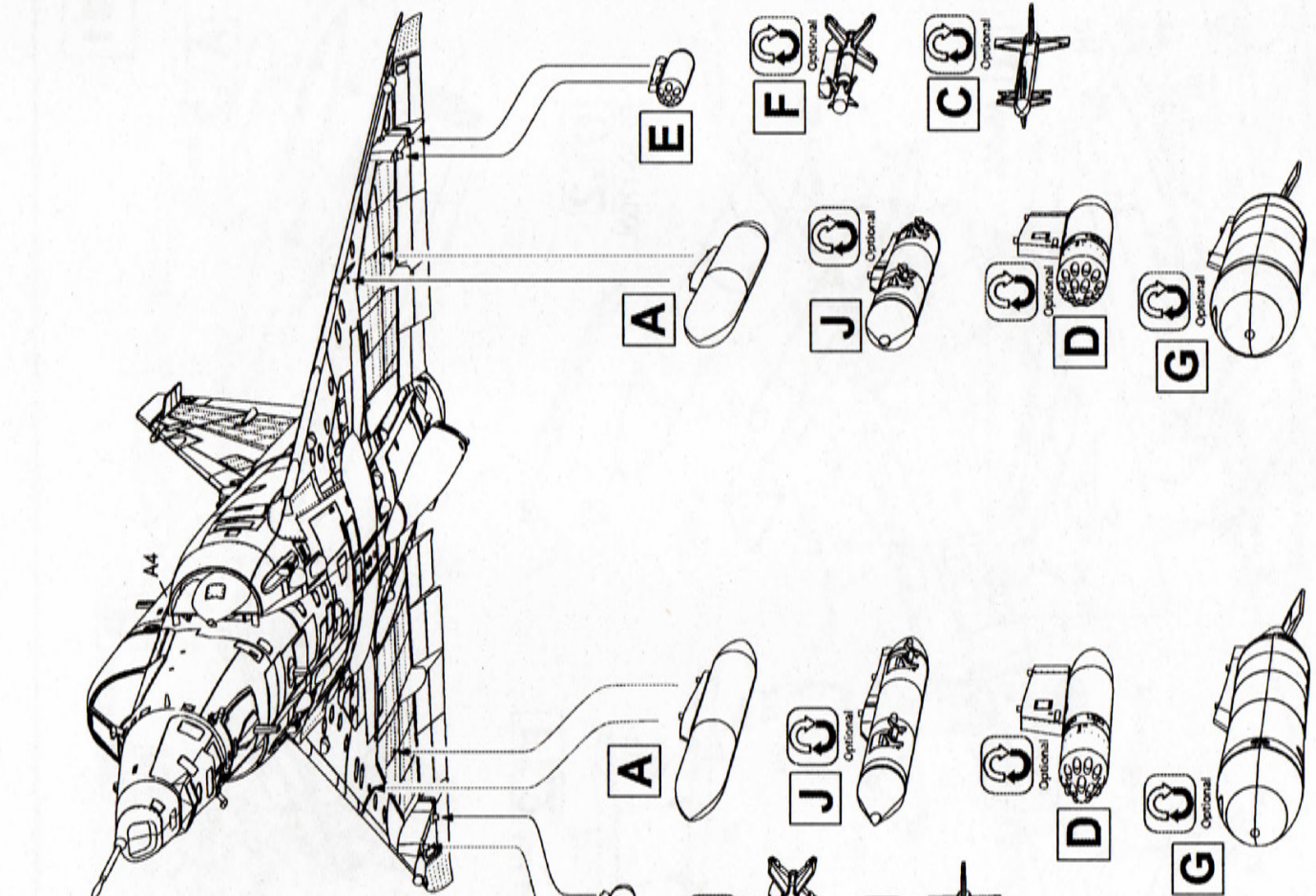
**C** MAGIC I / II



**H** AS-30L

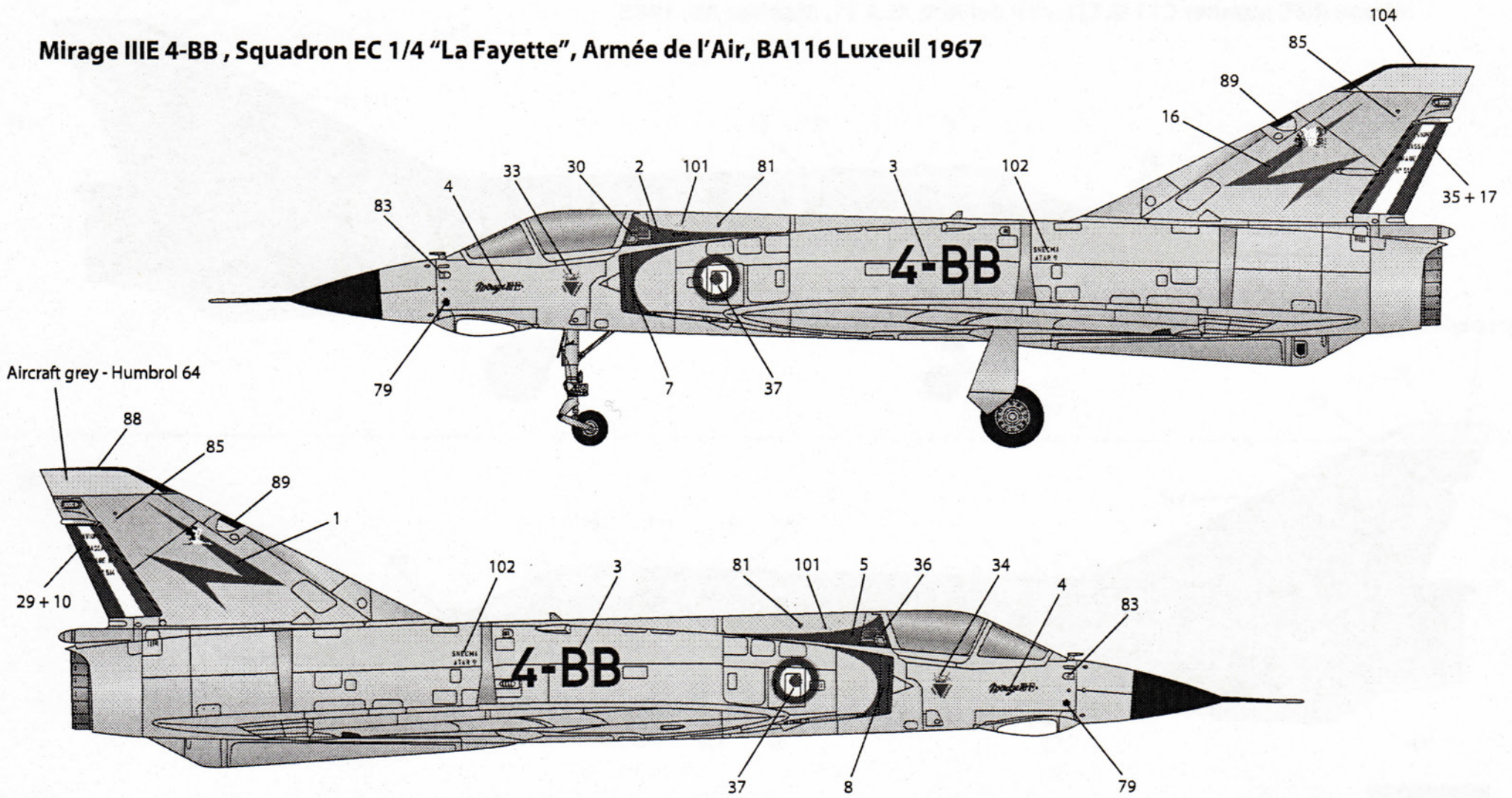




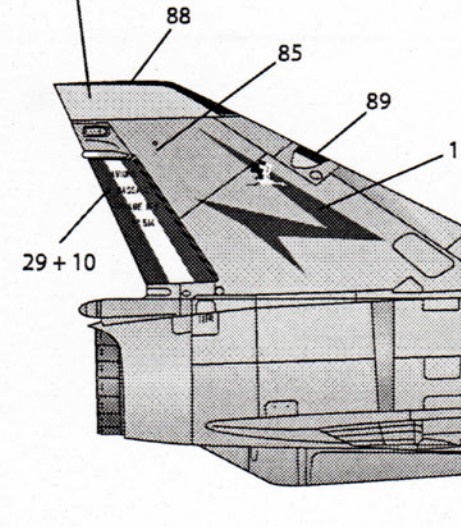





Mirage IIIE 4-BB, Squadron EC 1/4 "La Fayette", Armée de l'Air, BA116 Luxeuil 1967

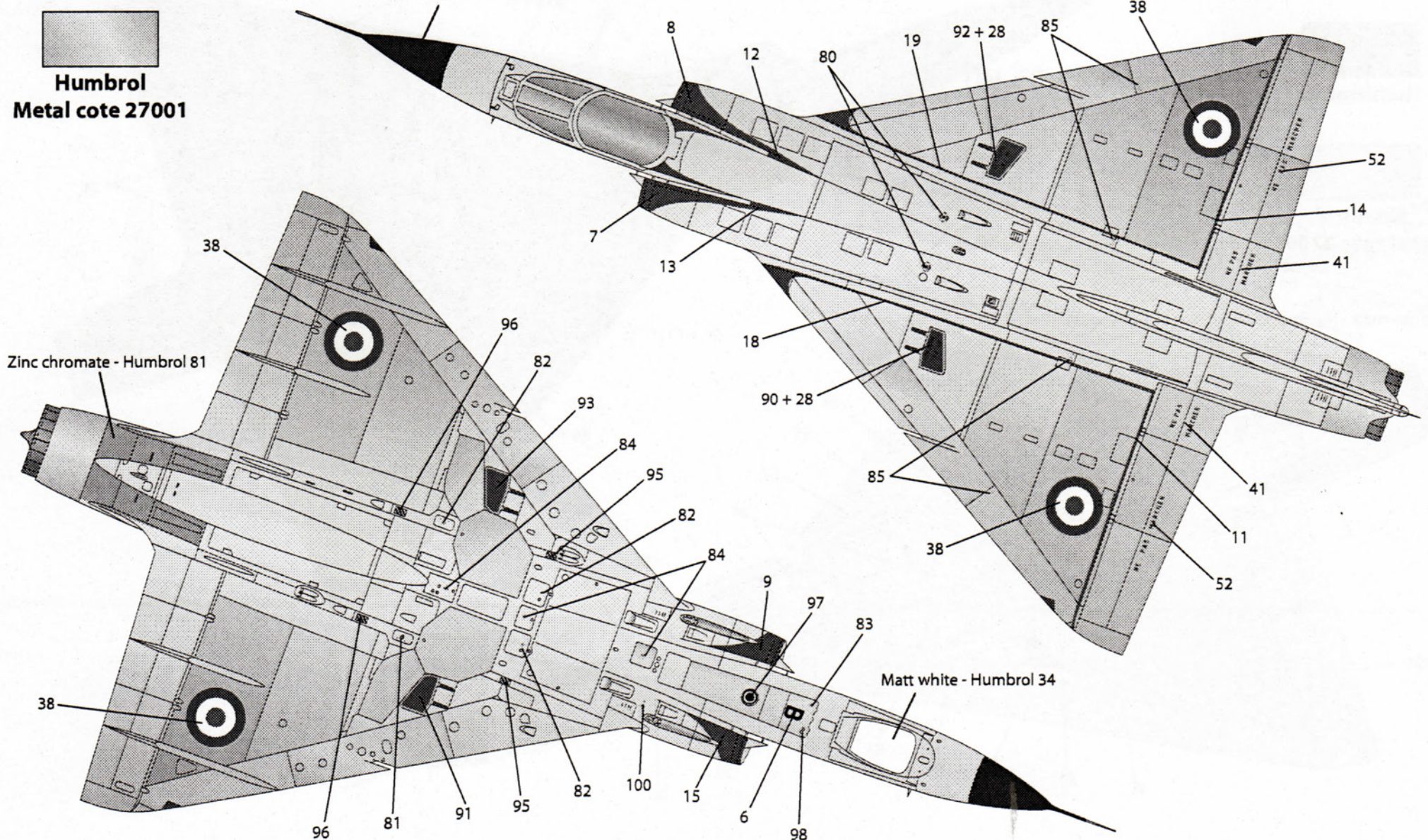


Aircraft grey - Humbrol 64



 Humbrol Metal cote 27001

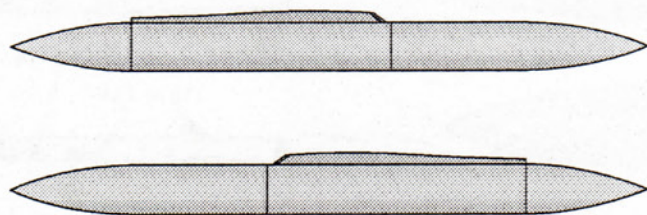
Matt black - Humbrol 33



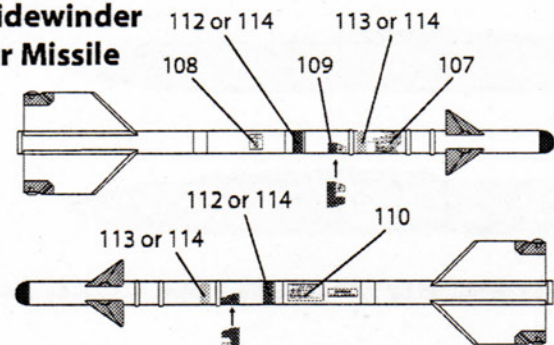
Zinc chromate - Humbrol 81

Matt white - Humbrol 34

### 500 Liters - Supersonics Tanks



### AIM-9 Sidewinder Air to Air Missile

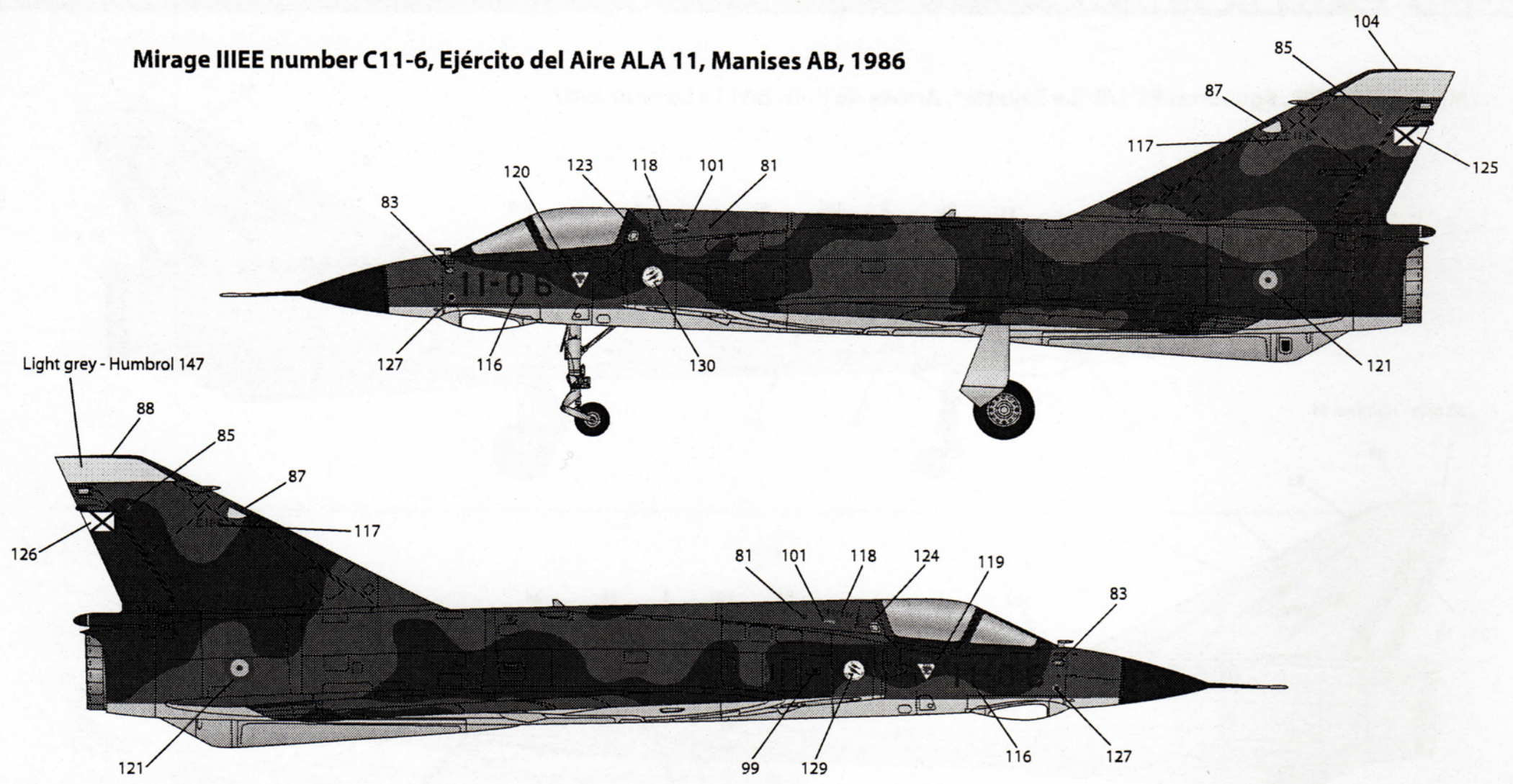







# Mirage IIIE/O/R/RD

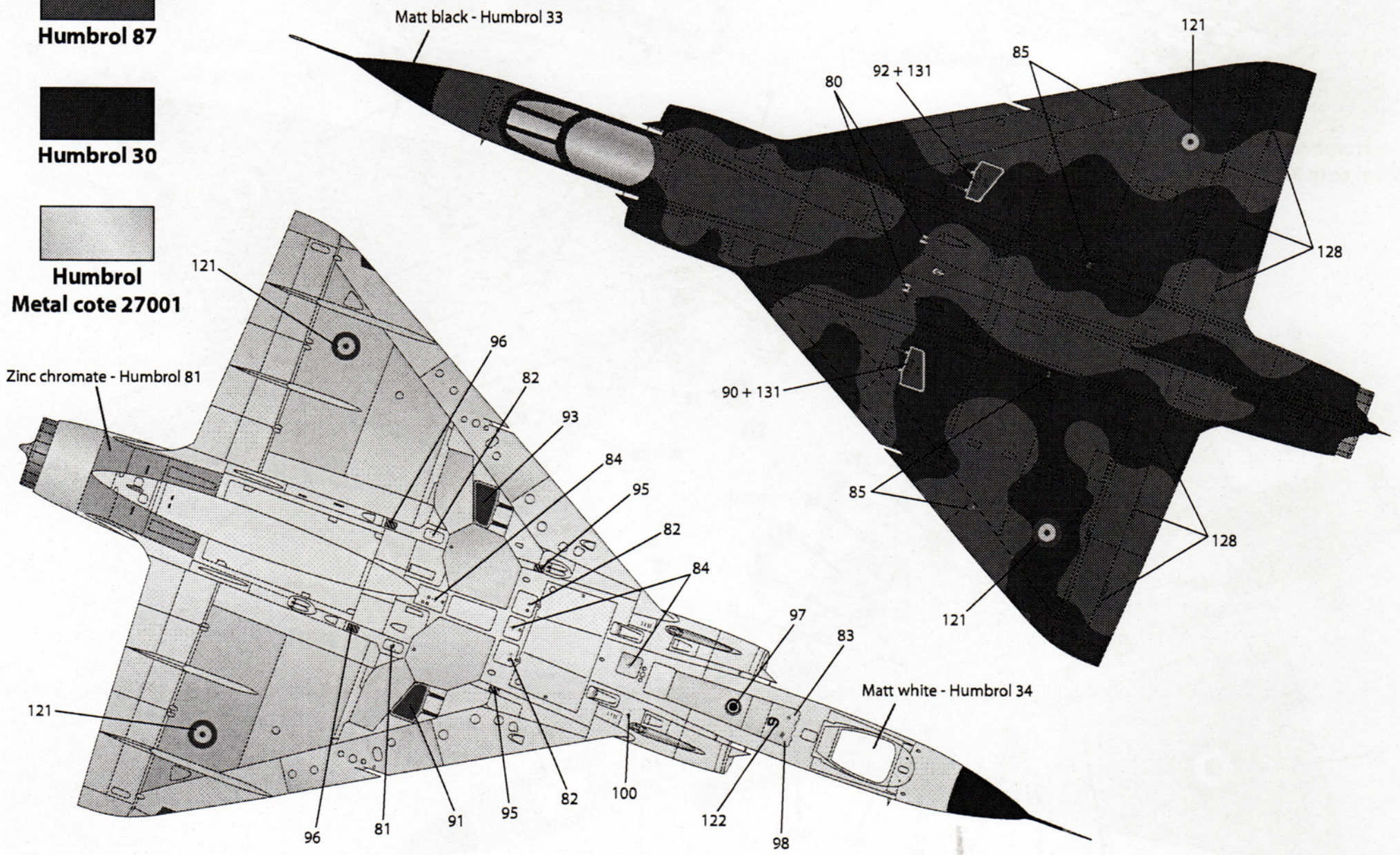
1/48 SCALE AIRCRAT SERIES NO: K48050

Mirage IIIEE number C11-6, Ejército del Aire ALA 11, Manises AB, 1986



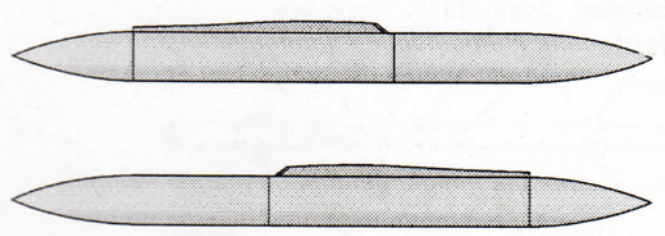
-  **Humbrol 87**
-  **Humbrol 30**
-  **Humbrol Metal cote 27001**

Zinc chromate - Humbrol 81

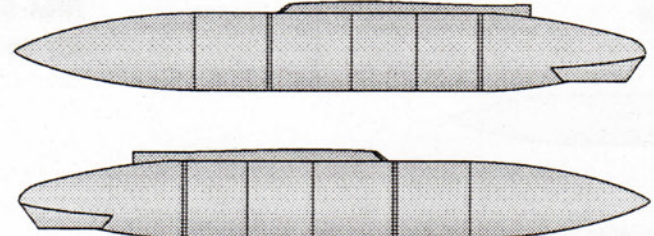


Matt white - Humbrol 34

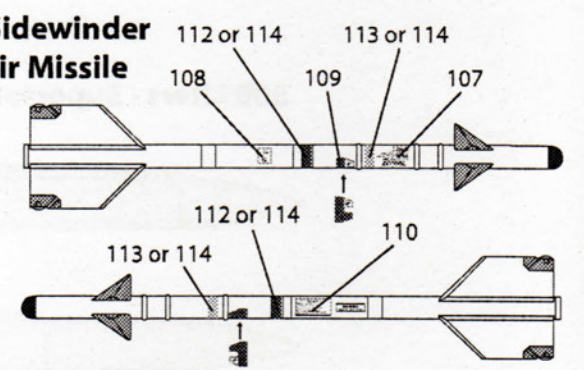
**500 Liters - Supersonics Tanks**



**1700 Liters (Long range Tanks)**



**AIM-9 Sidewinder Air to Air Missile**



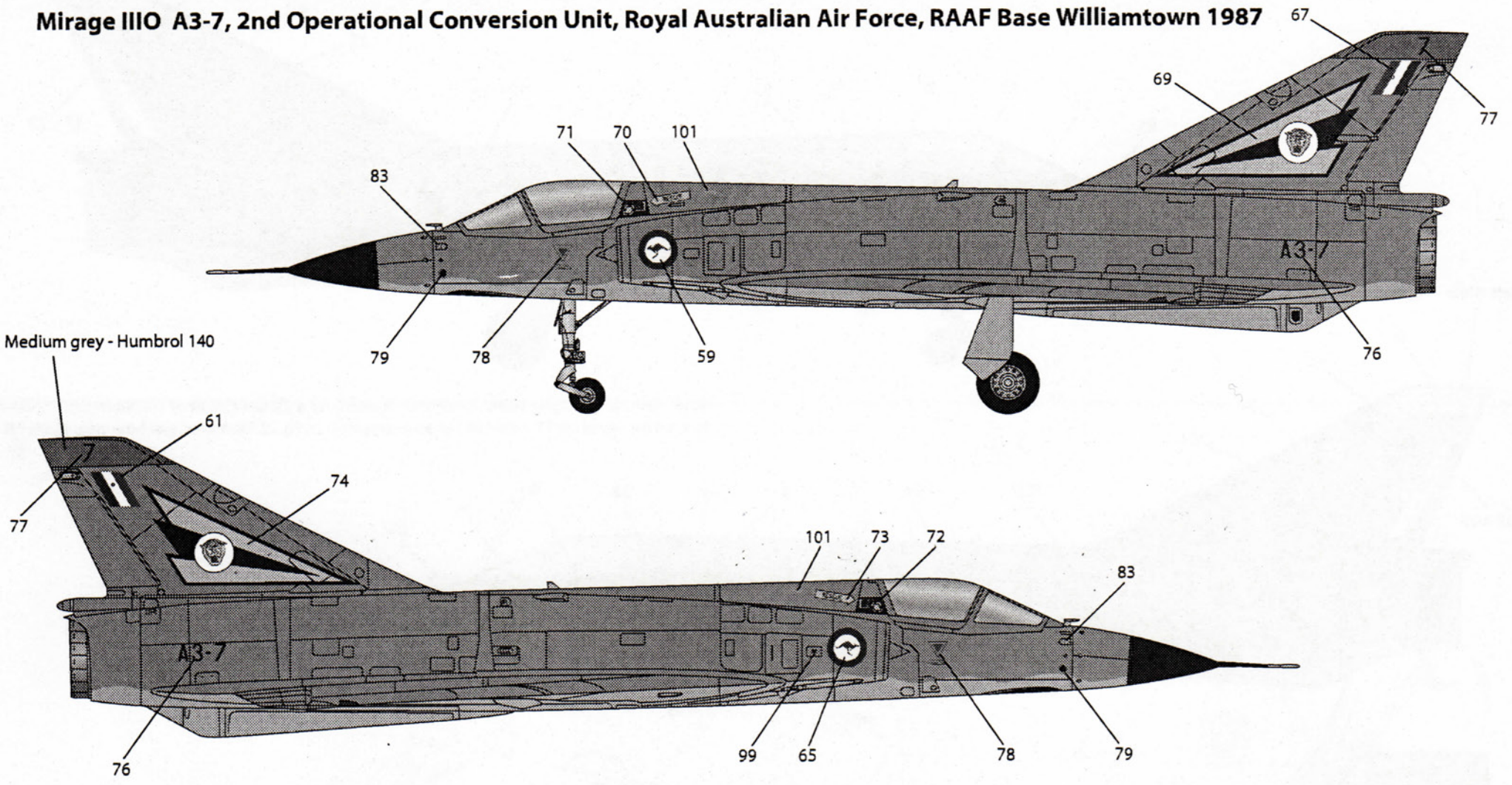



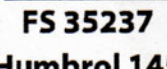
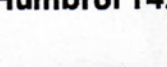

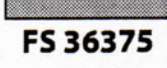
# Mirage IIIE/O/R/RD

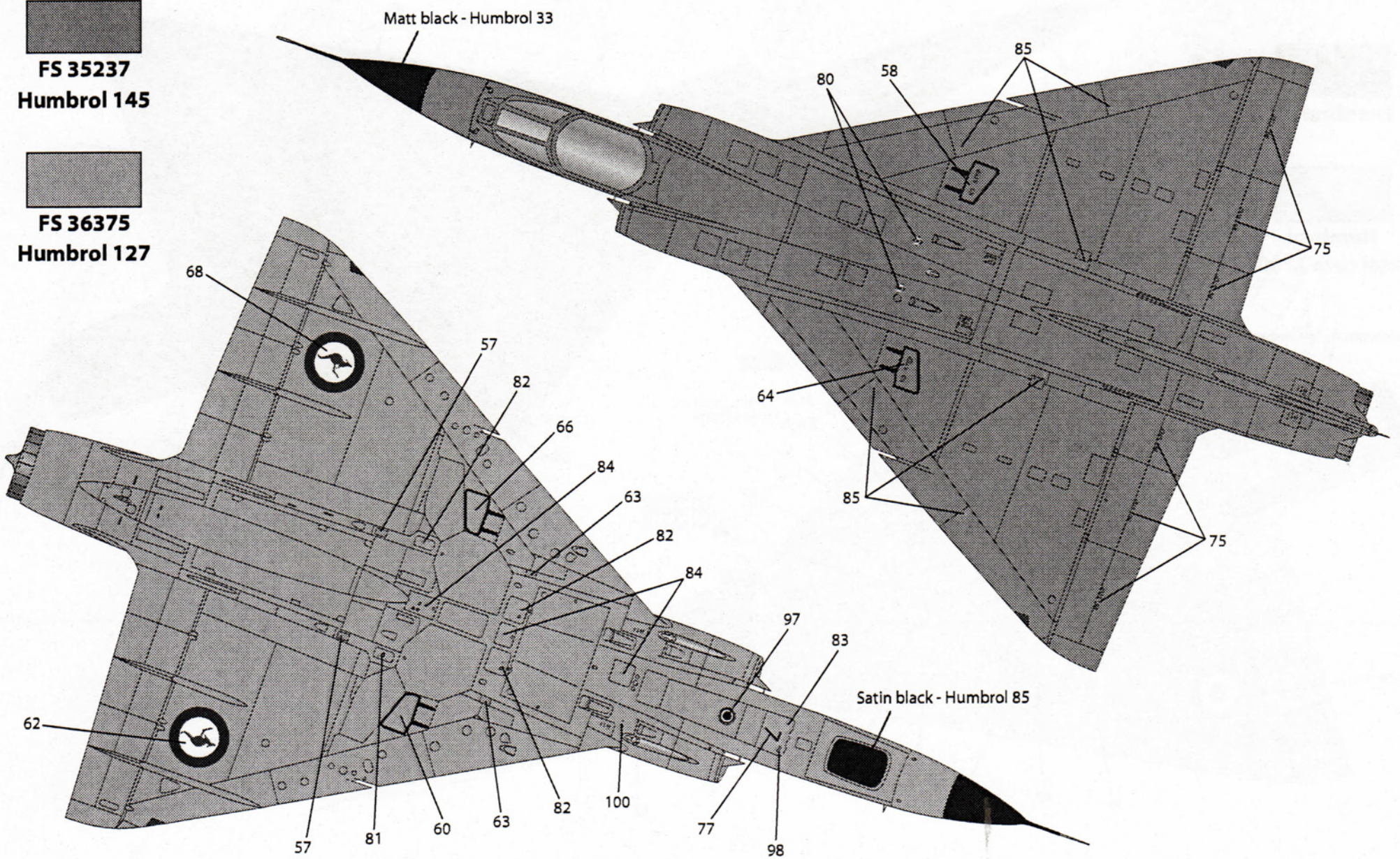
1/48 SCALE AIRCRAT SERIES NO: K48050



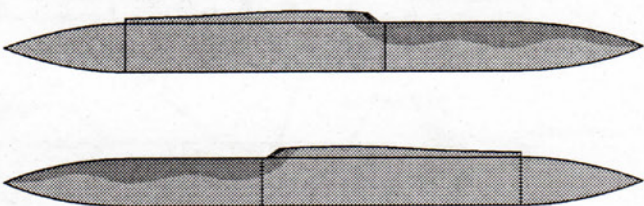
Mirage IIIO A3-7, 2nd Operational Conversion Unit, Royal Australian Air Force, RAAF Base Williamtown 1987



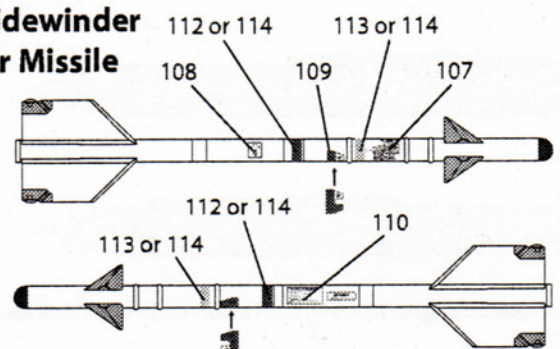
-  Medium grey - Humbrol 140
-  FS 35237
-  Humbrol 145
-  FS 36375
-  Humbrol 127



**500 Liters - Supersonics Tanks**

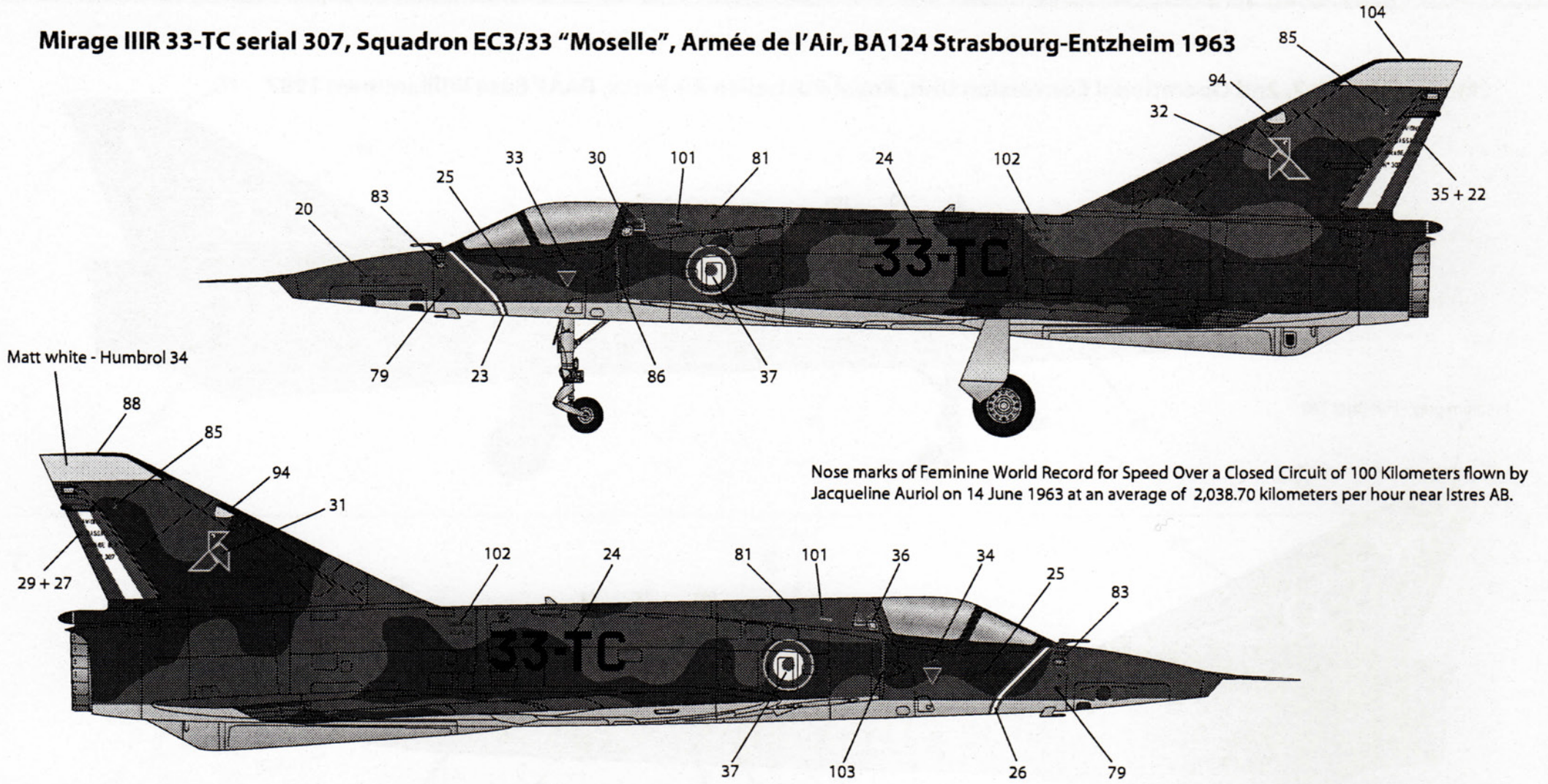


**AIM-9 Sidewinder Air to Air Missile**








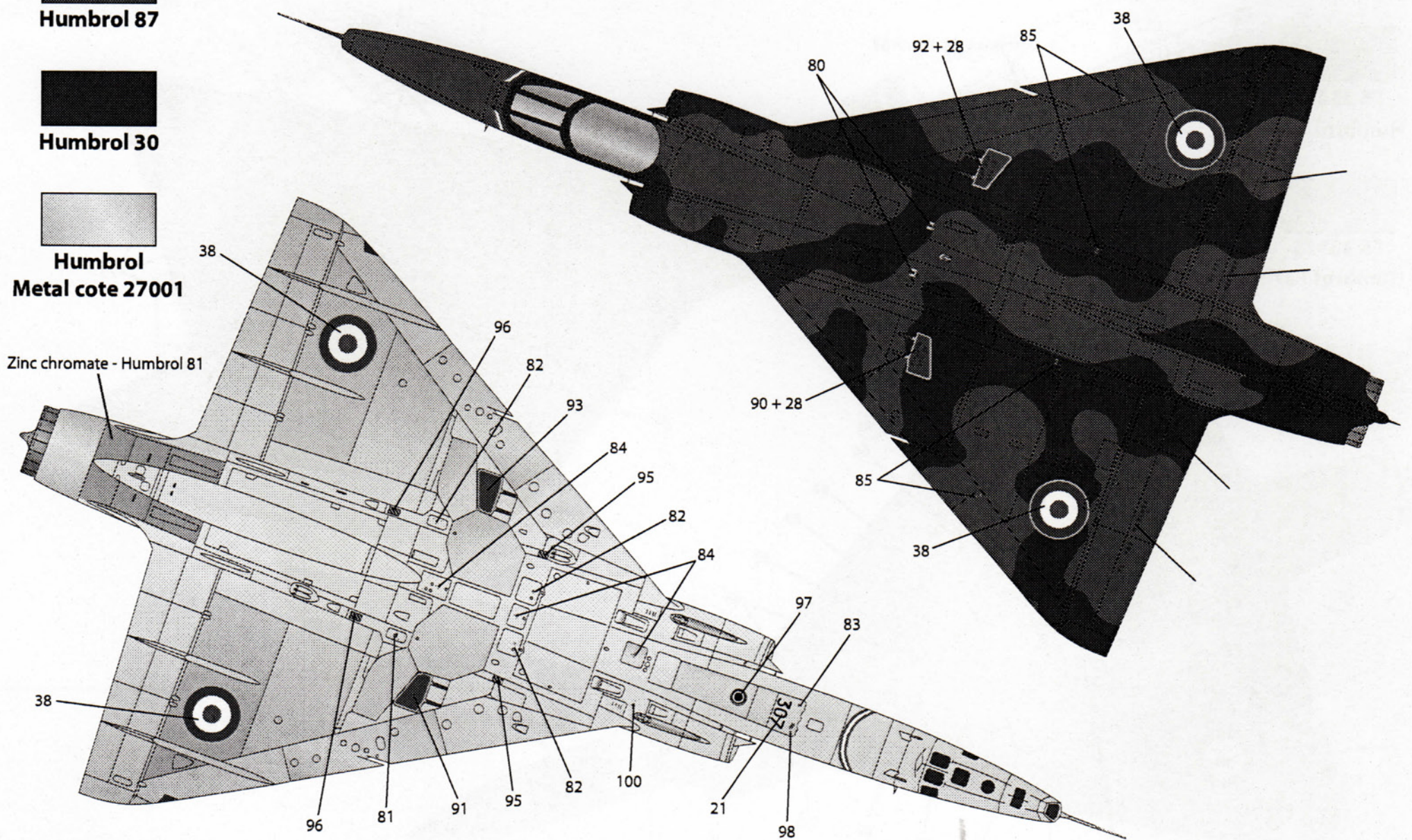
Mirage IIIR 33-TC serial 307, Squadron EC3/33 "Moselle", Armée de l'Air, BA124 Strasbourg-Entzheim 1963



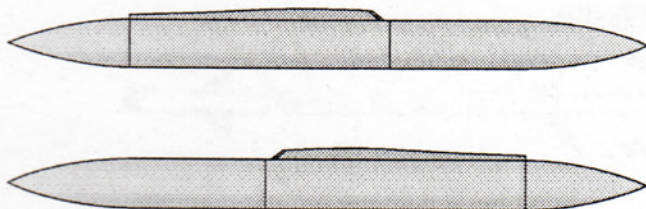
Nose marks of Feminine World Record for Speed Over a Closed Circuit of 100 Kilometers flown by Jacqueline Auriol on 14 June 1963 at an average of 2,038.70 kilometers per hour near Istres AB.

-  Humbrol 87
-  Humbrol 30
-  Humbrol Metal cote 27001

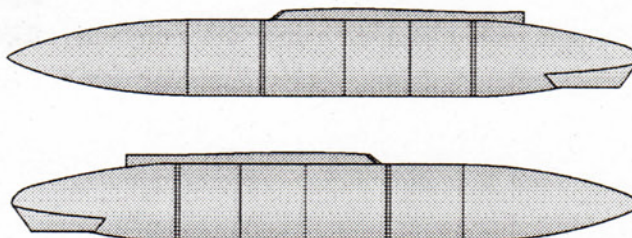
Zinc chromate - Humbrol 81



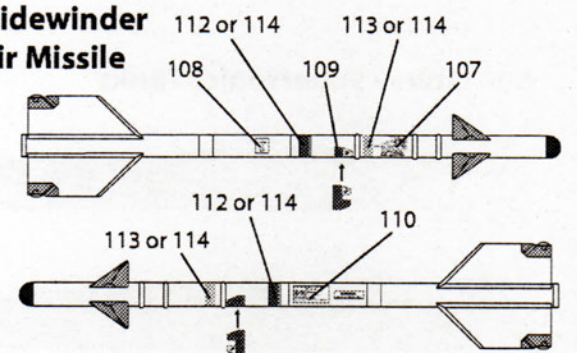
500 Liters - Supersonics Tanks



1700 Liters (Long range Tanks)



AIM-9 Sidewinder  
Air to Air Missile



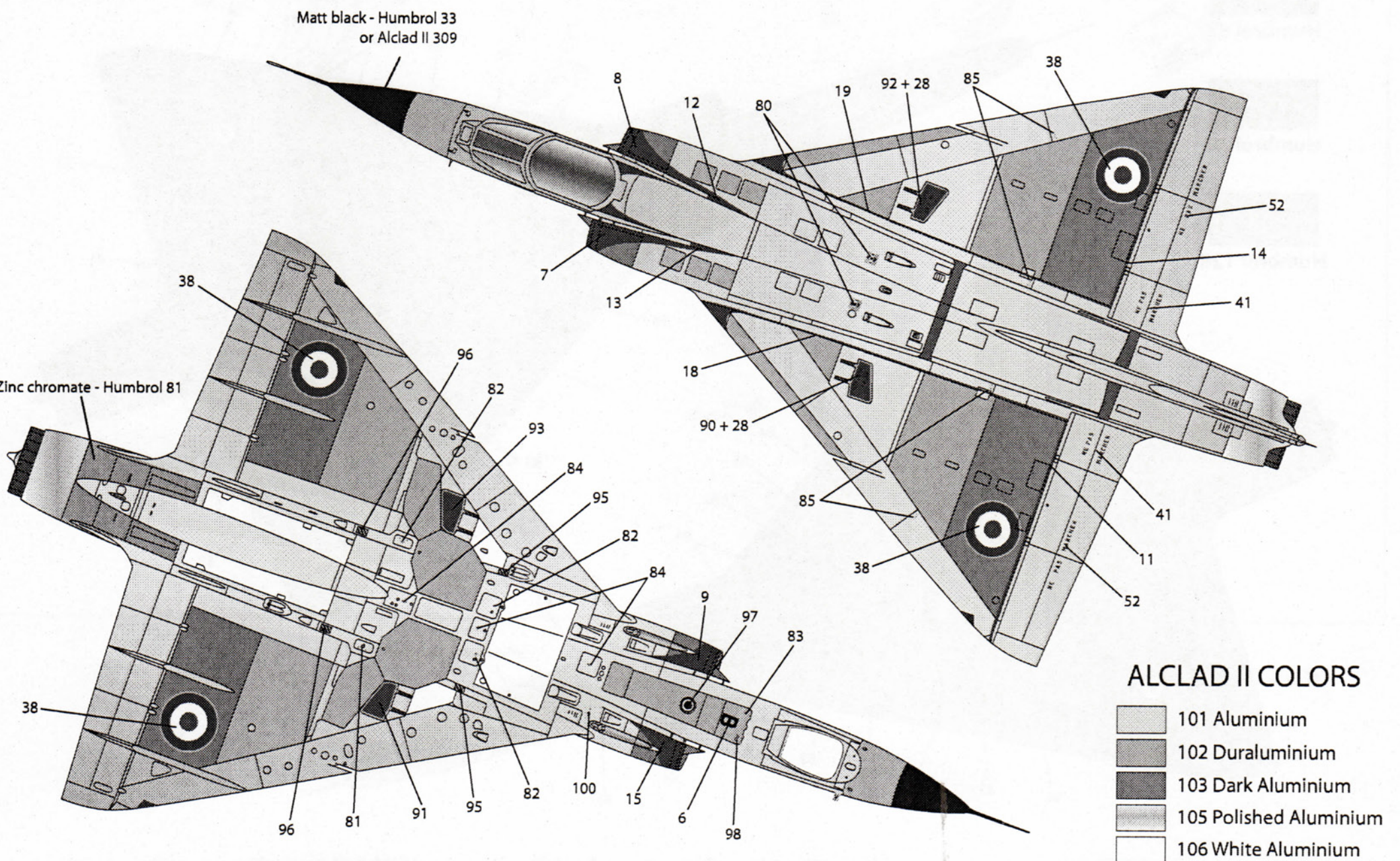
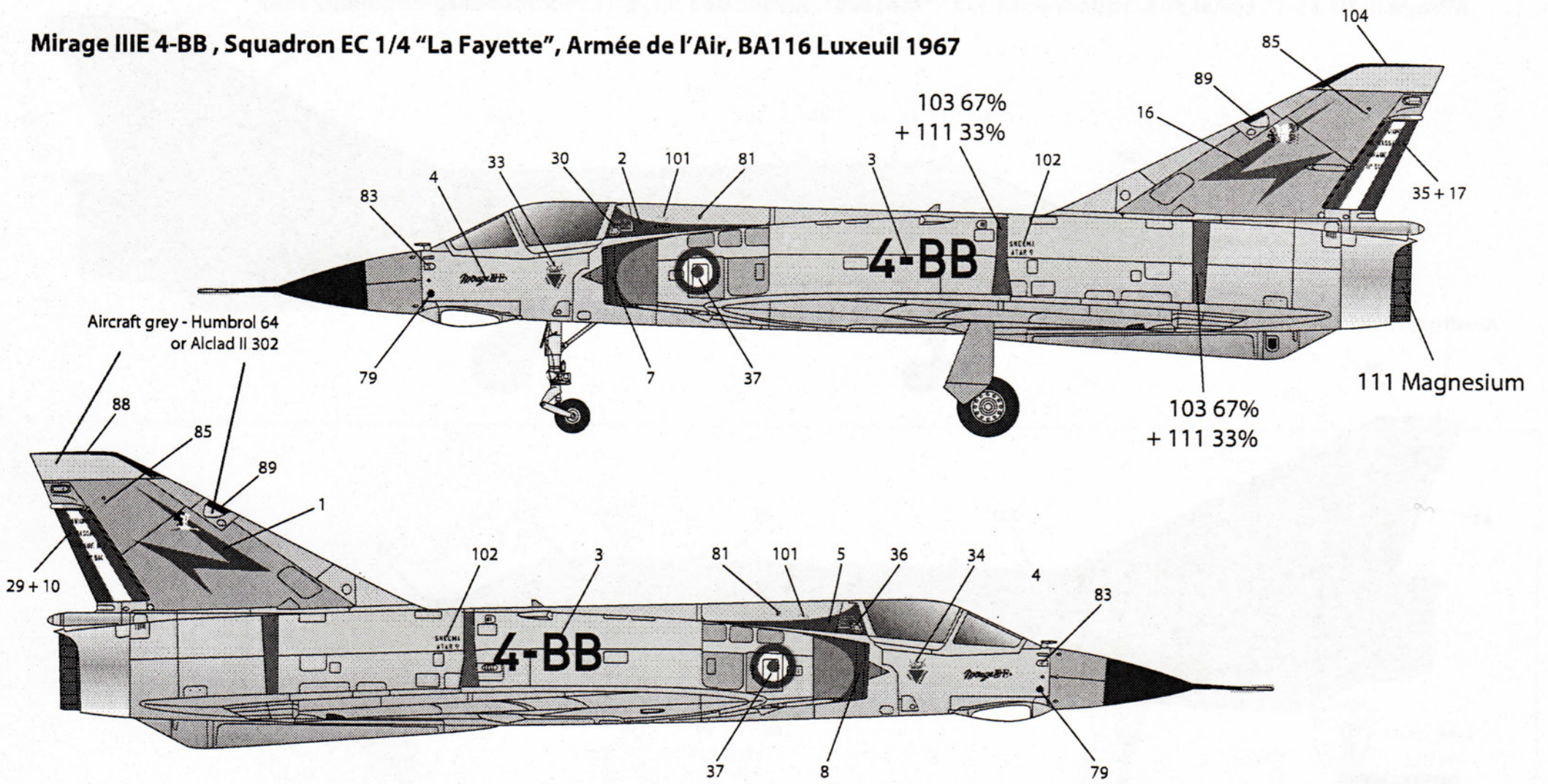


# Mirage IIIE/O/R/RD

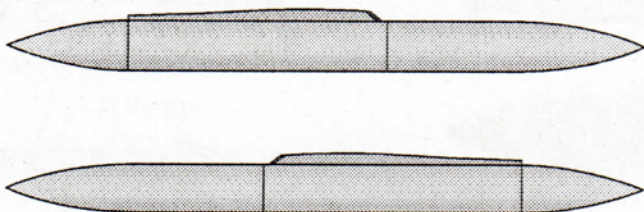
1/48 SCALE AIRCRAT SERIES NO: K48050

**KINETIC**  
Model Kits

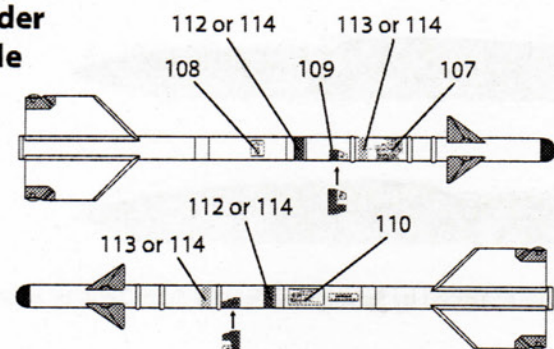
Mirage IIIE 4-BB, Squadron EC 1/4 "La Fayette", Armée de l'Air, BA116 Luxeuil 1967



**500 Liters - Supersonics Tanks**

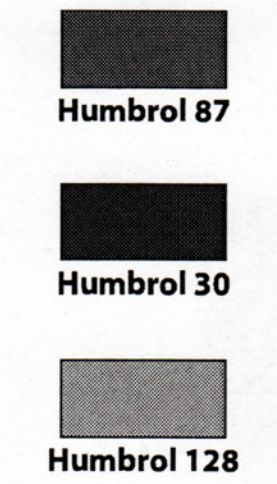
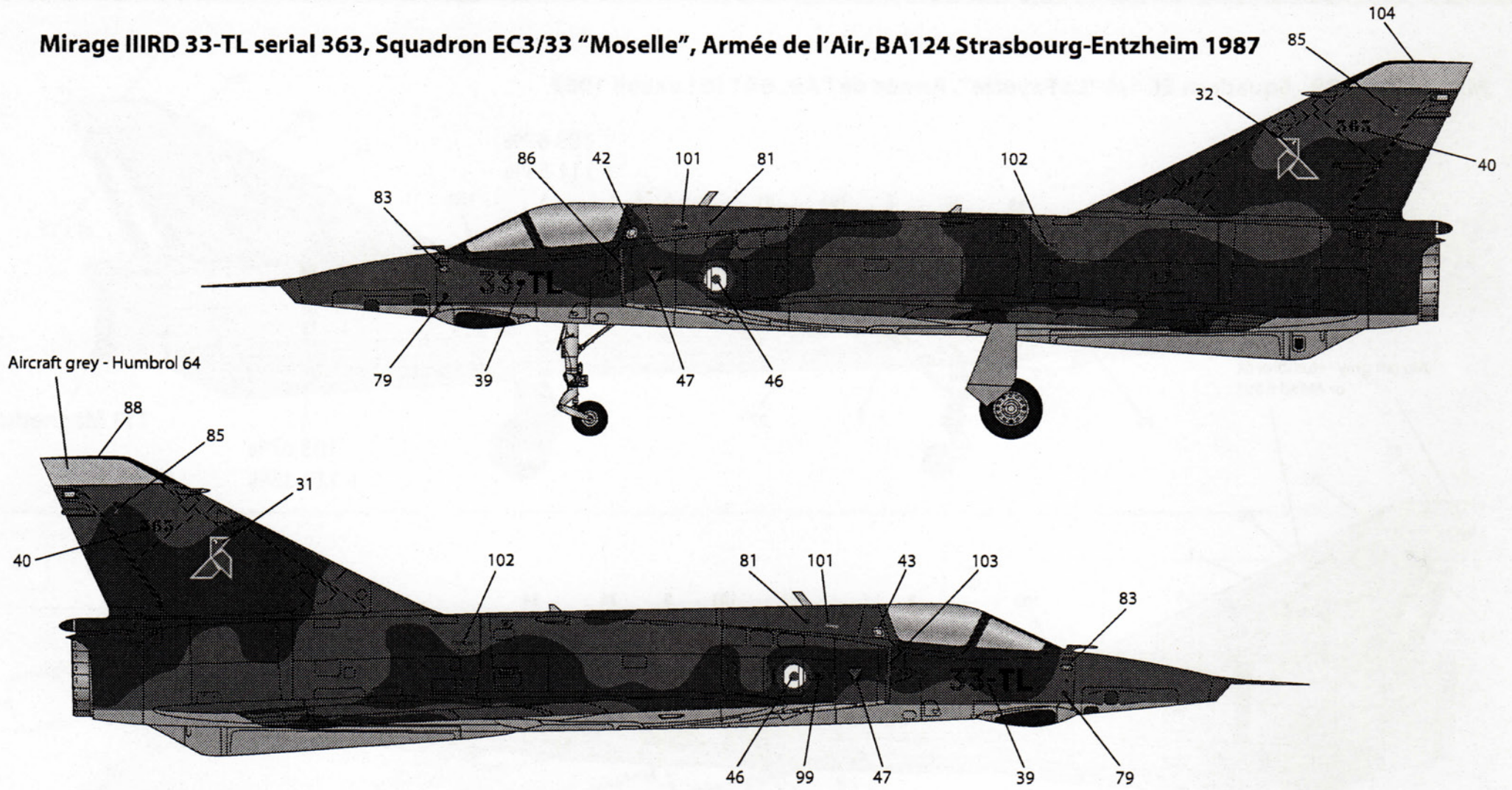


**AIM-9 Sidewinder  
Air to Air Missile**





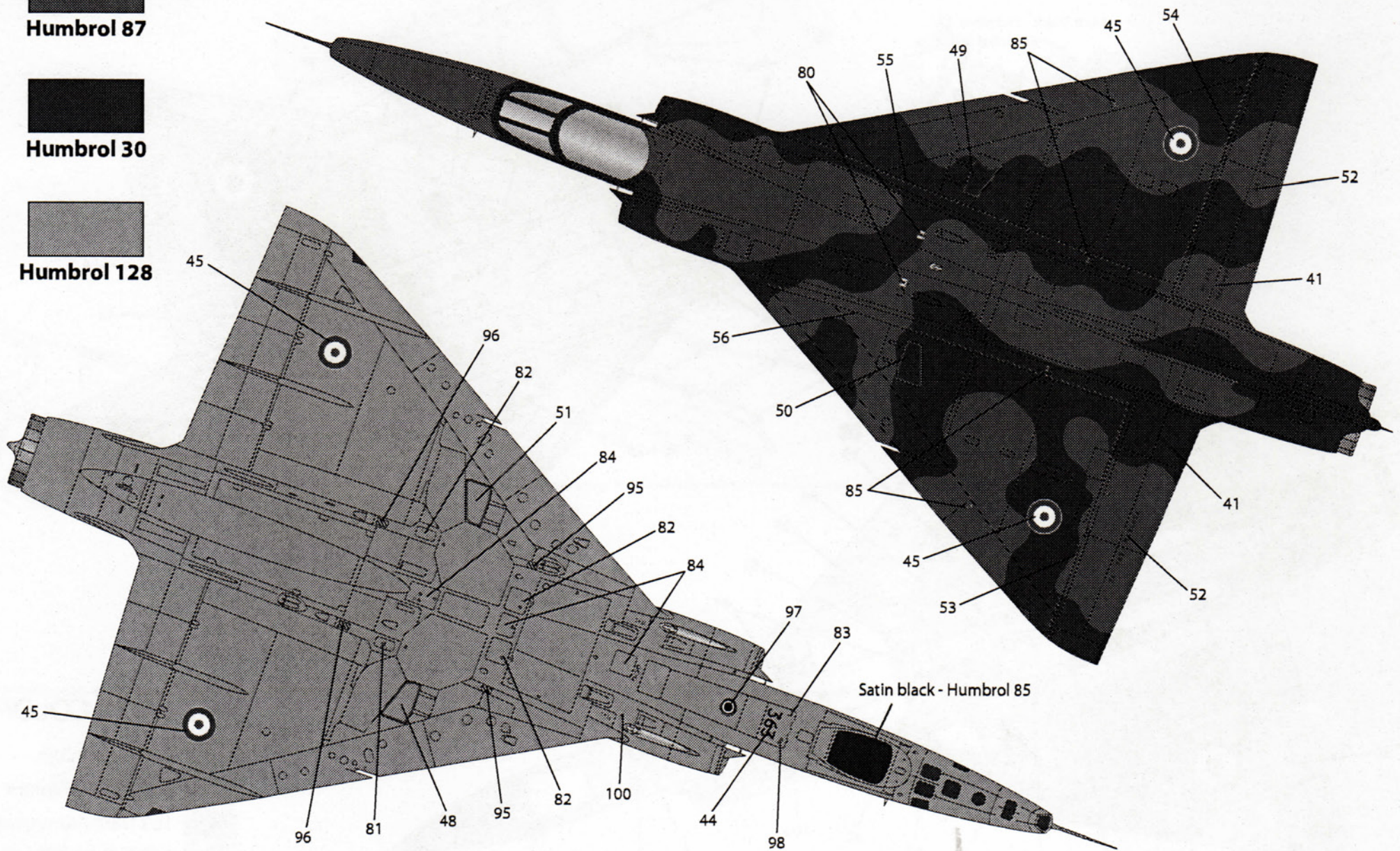
Mirage IIIRD 33-TL serial 363, Squadron EC3/33 "Moselle", Armée de l'Air, BA124 Strasbourg-Entzheim 1987



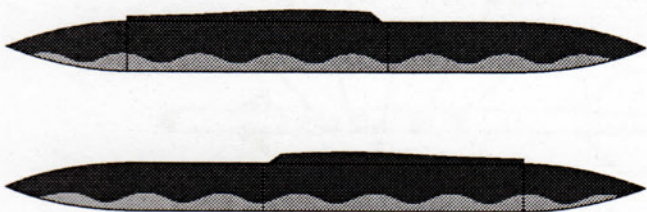
Humbrol 87

Humbrol 30

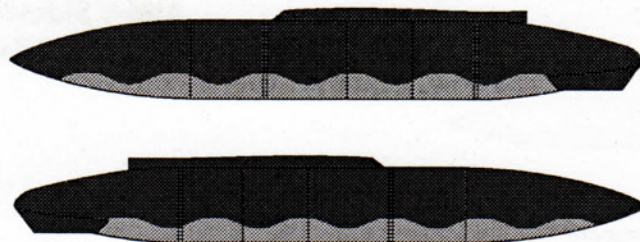
Humbrol 128



500 Liters - Supersonics Tanks



1700 Liters (Long range Tanks)



AIM-9 Sidewinder Air to Air Missile

