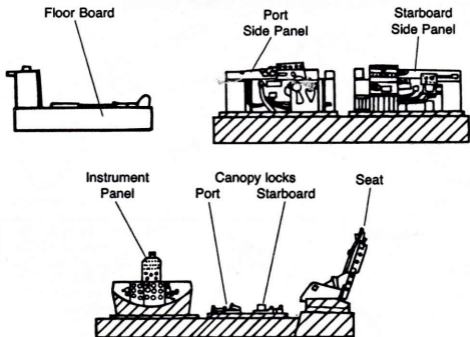


MIG-15 bis

Parts Identification.
Remove shaded areas

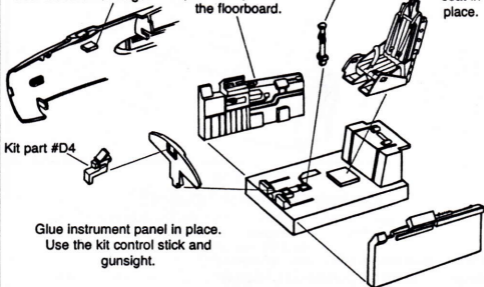


Remove the ends of the cockpit mounting pins—both sides of fuselage.

Glue the side panels in place on the floorboard.

Kit part #A2

Glue the seat in place.

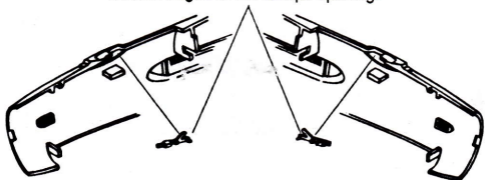


General Color Notes

Cockpit Interior: FS36495 (Lt. Gray). Seat Cushions: FS36173 (Med. Gray) with FS36300 (Med. Gray) belts and FS17178 (Silver) Buckles. Instrument Panel: FS37038 (Flat Black). Highlight Instrument Faces with FS37778 (Flat White) Throttle Grip similar to FS20400 (Yellow Sand). Other Knobs, Switches, Toggles & Buttons: FS27038 (Semi-Gloss Black).

Install the completed cockpit tub following the kit instructions.

Glue the Canopy Control in place on the forward edges of the cockpit opening.



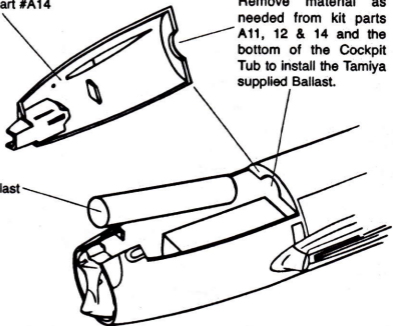
Right side

Left side

Kit part #A14

Remove material as needed from kit parts A11, 12 & 14 and the bottom of the Cockpit Tub to install the Tamiya supplied Ballast.

Ballast



MiG 15 bis

Cockpit Detail Set TD48459

(Recommended for the 1/48 scale Tamiya kit)

*These are resin parts. Super Glue or epoxy must be used for gluing

Congratulations on purchasing another fine **True Details** product. Watch for our MiG 15 wheels coming soon.

Our wheels have accurate wheel/hub detail and tread pattern. They are bulged to give your model the realistic look of a loaded aircraft.