

Diamond T 968 was a cargo truck based on a 4 ton 6x6 chassis, powered with a Hercules RXC six-cylinder gasoline engine and equipped with a five-speed overdrive transmission and a direct and under drive transfer, manufactured from roughly 1940 until 1945 by the Diamond T Motor Car Company in Chicago. Design and development of the model 968 began in 1939, it was adapted for production in 1940, and produced from 1941 to 1945. From 1943 most trucks were fitted with open cab. Roughly 9000 cargo-trucks was produced and used generally for cargo and personnel transport, but often also as an artillery prime mover. These vehicles were also supplied to the Allied countries through the Lend-Lease Act, and after the WWII numbers of them were still in use in various countries for many years

Go through assembly guide before you start your work. Some gates are larger, because we don't want any ejector marks on parts, and also very thin true-to scale parts require larger gates to avoid filling issues, you need to use a little razor blade and sharp scalpel to remove these parts carefully.

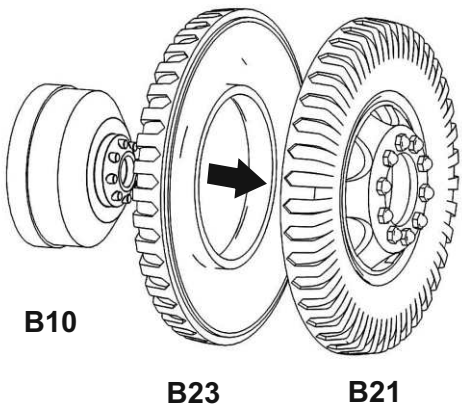
Images in rows one by one show usually one small assembly step

Heat up PE parts with lighter before use, brass will soften and become easy to bend and work with

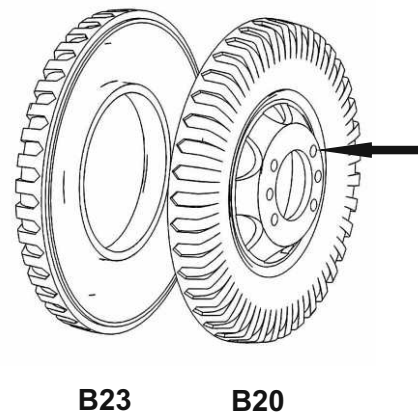
Tamiya Super Thin Glue recommended for plastic parts, let the glue work for a few seconds, then push parts together, melted plastic will fill the gaps between parts. You can also melt sprue frame and use it as an amazing filler for small works, or use this glue to wash out tiny seam lines on little parts or make texture on some parts etc.

wheels

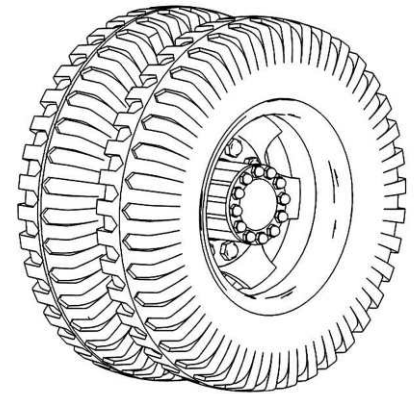
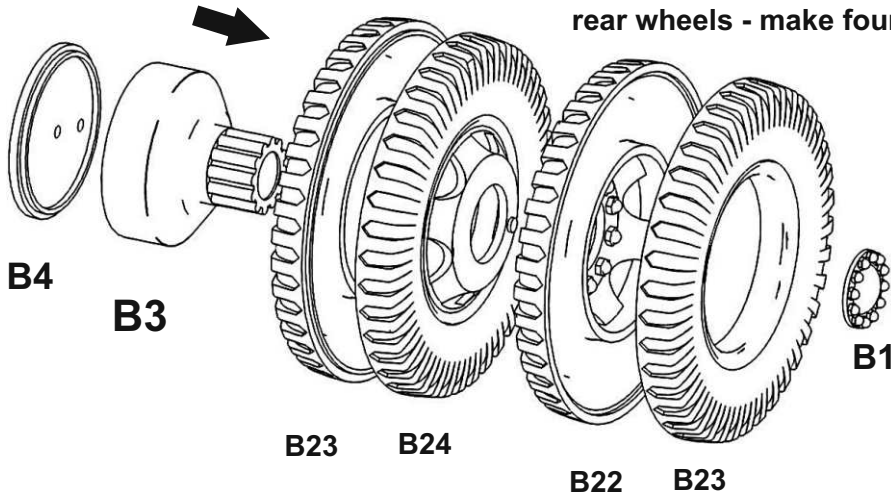
front wheel- make two



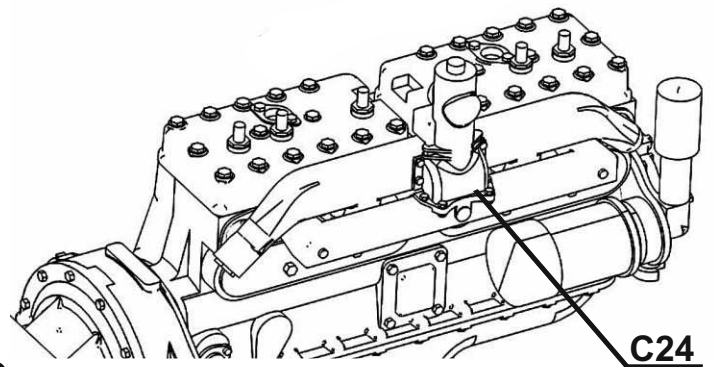
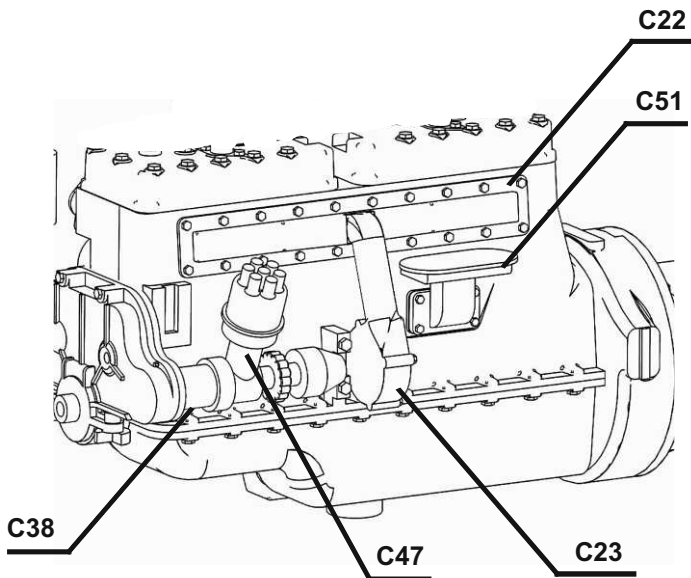
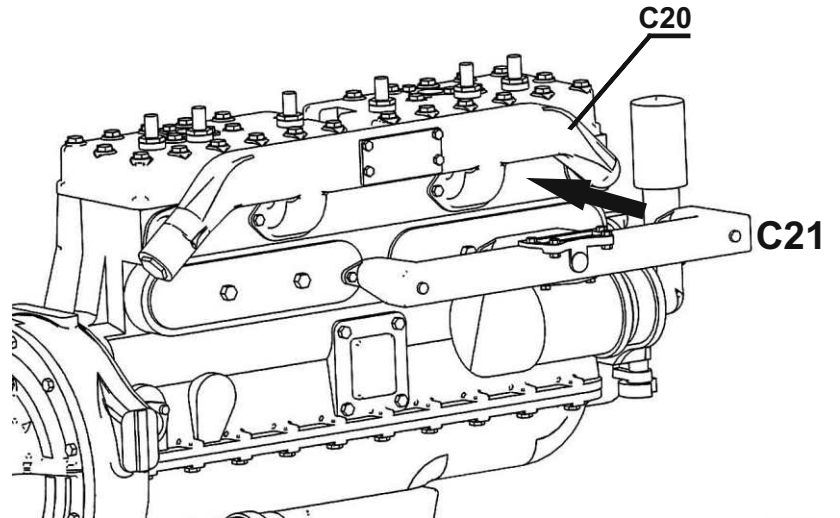
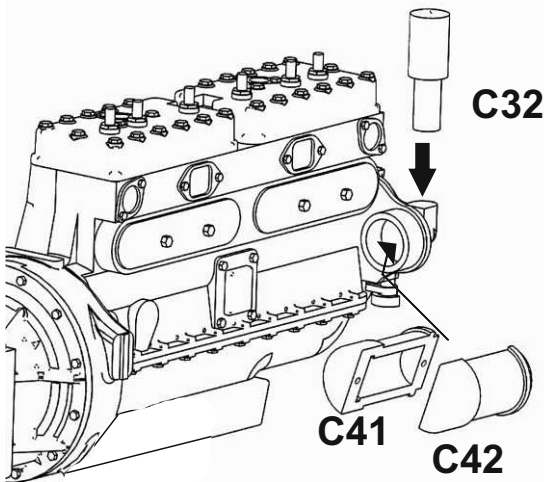
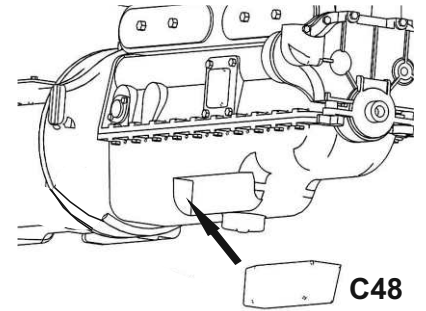
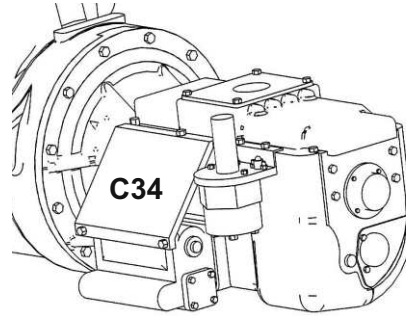
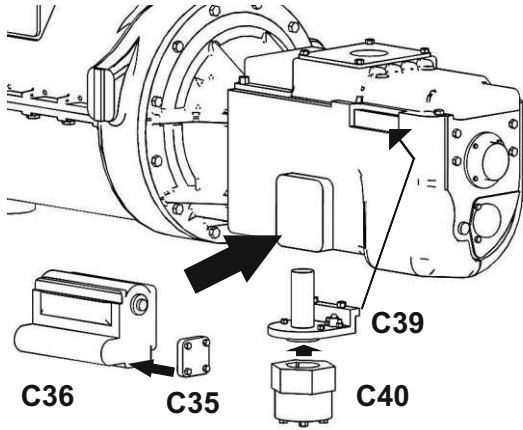
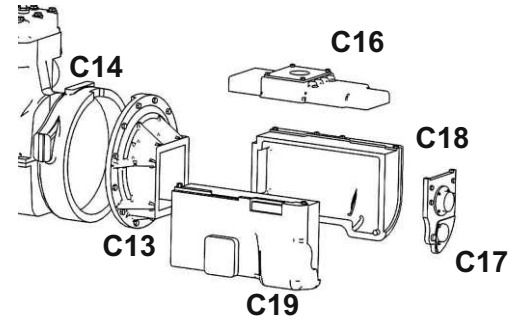
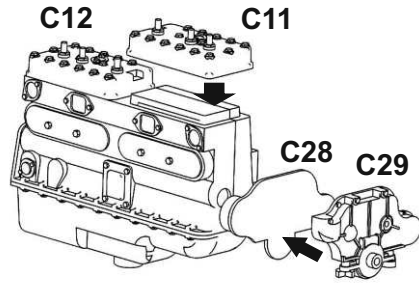
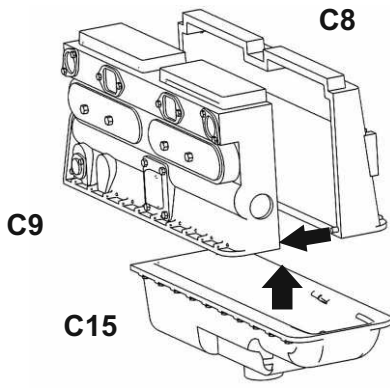
spare wheel
drill holes marked at
the back - make two

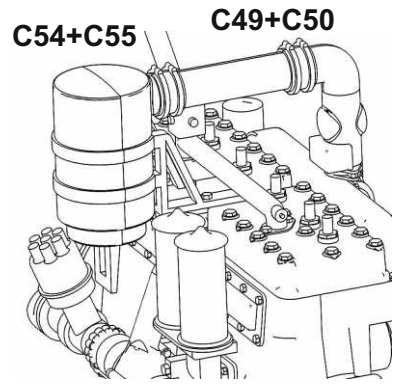
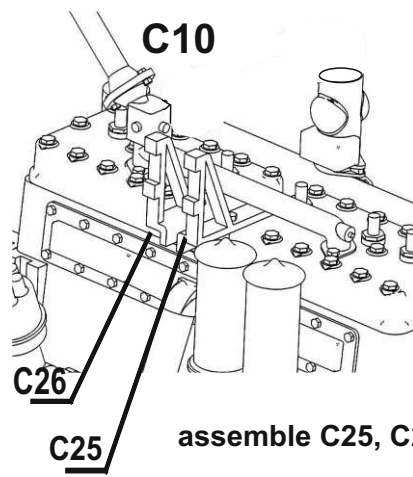
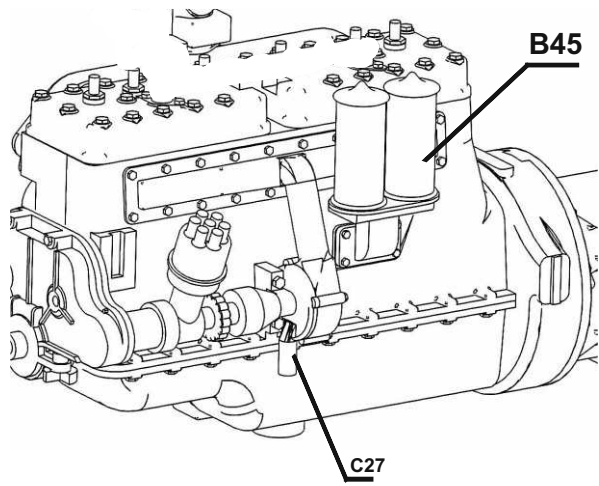


rear wheels - make four sets

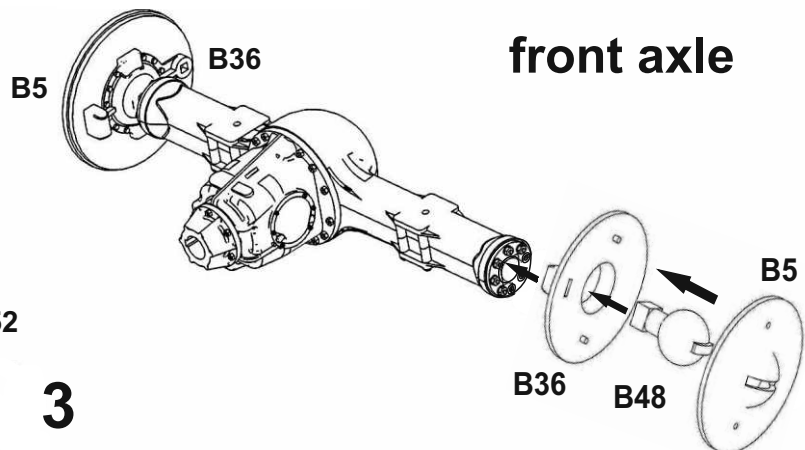
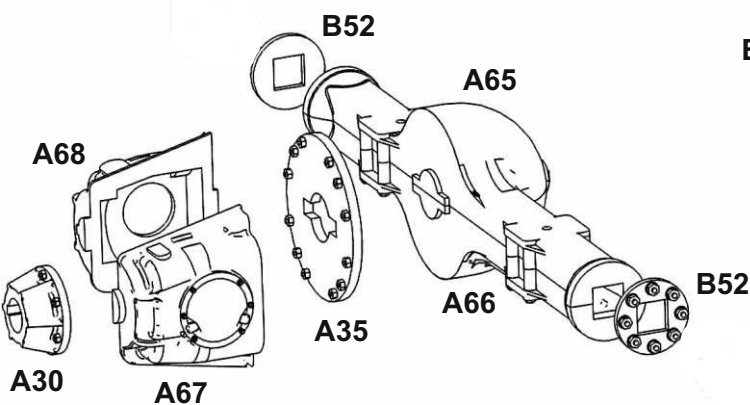
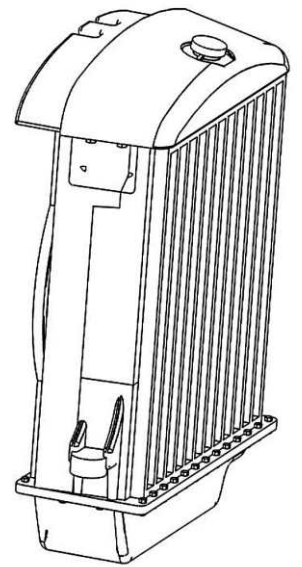
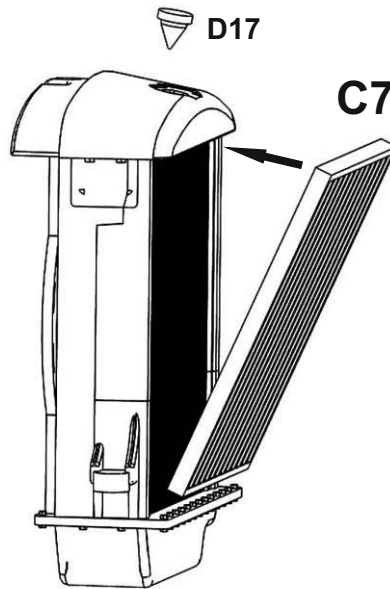
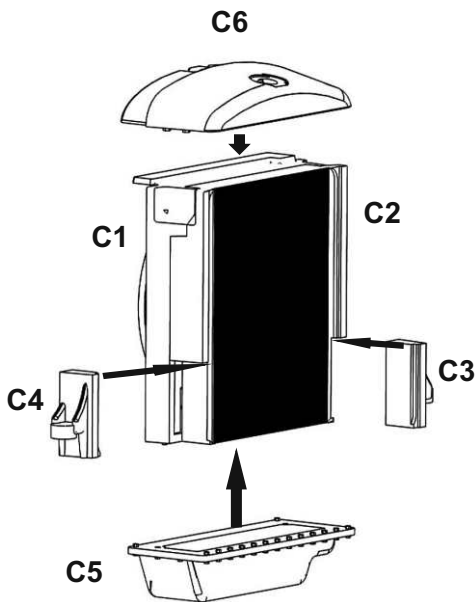
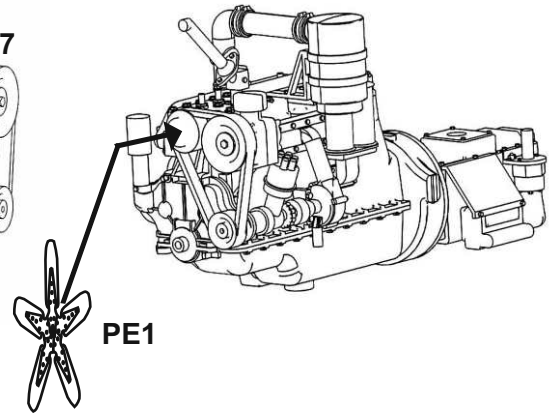
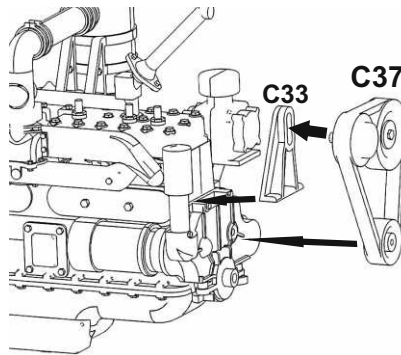
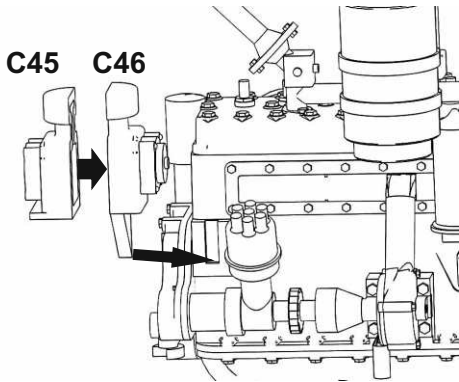


Engine

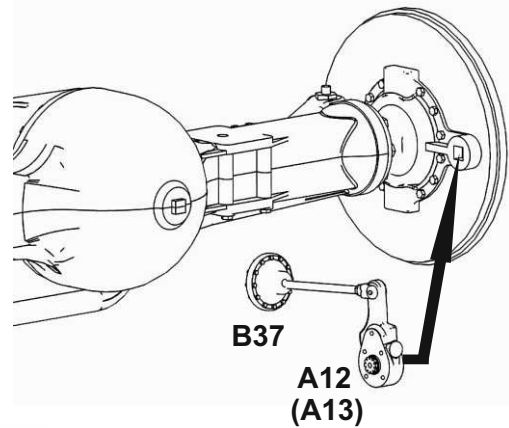
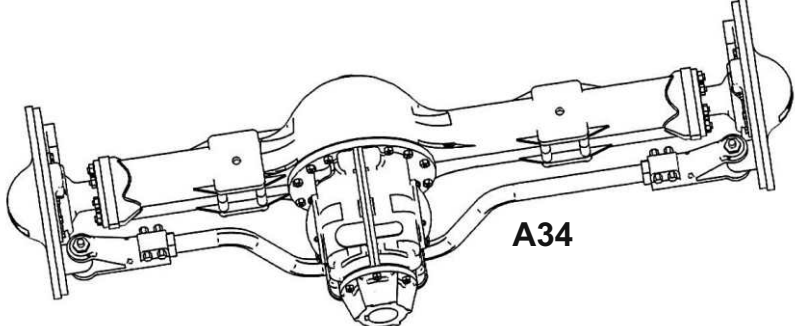




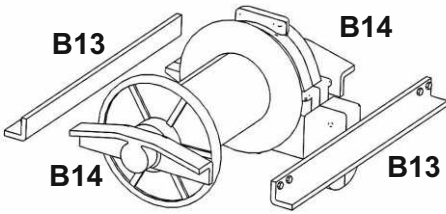
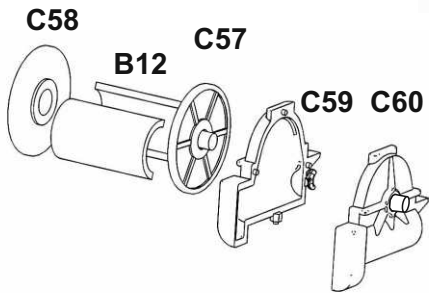
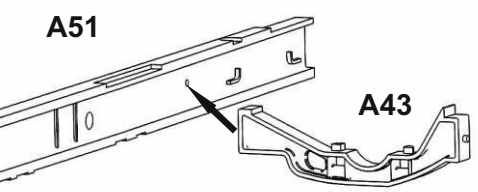
assemble C25, C26, then C10, then 2xB45, then C49+C50 and C54+C55



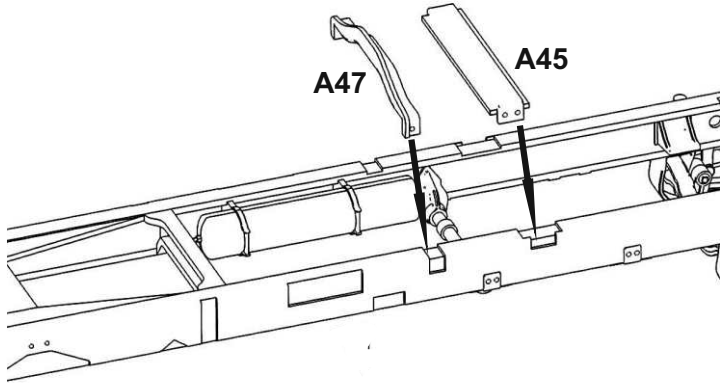
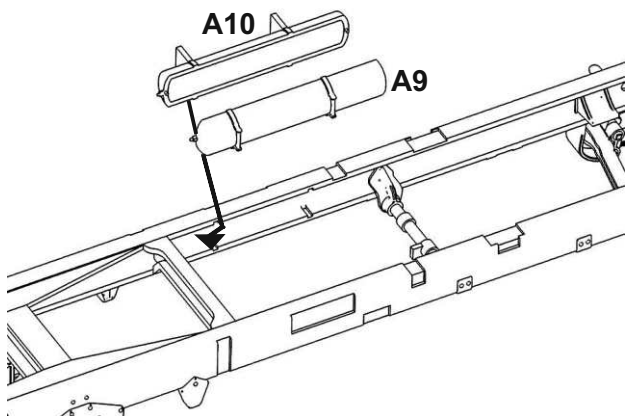
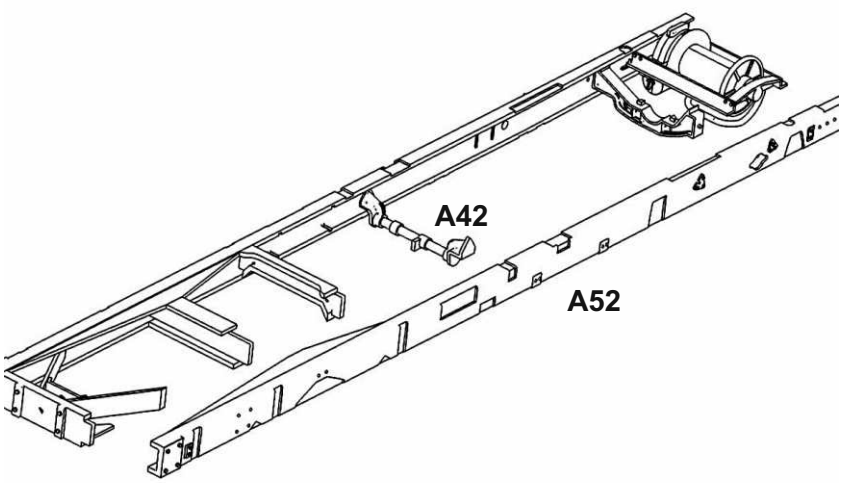
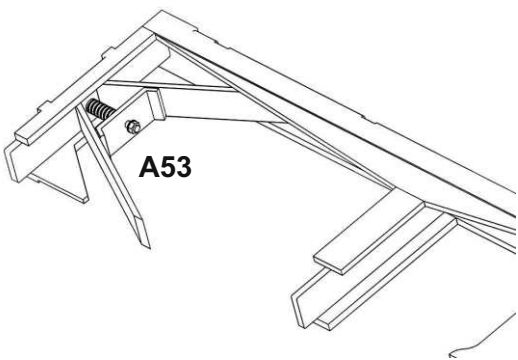
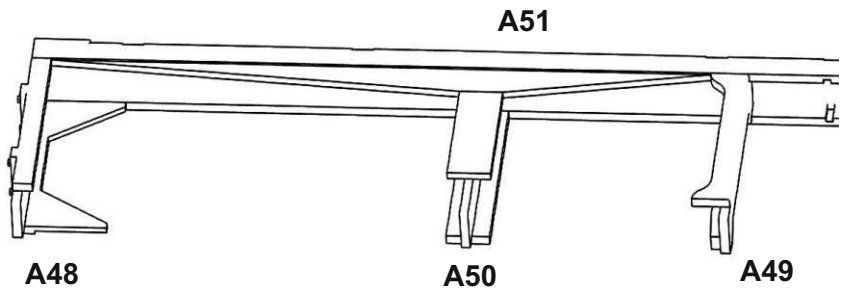
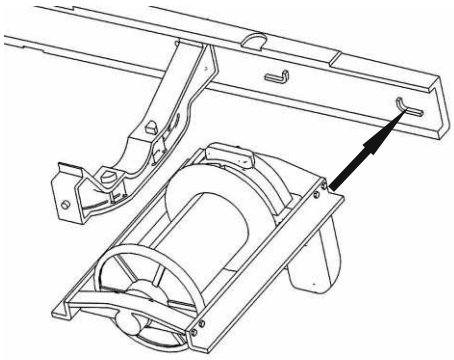
front axle

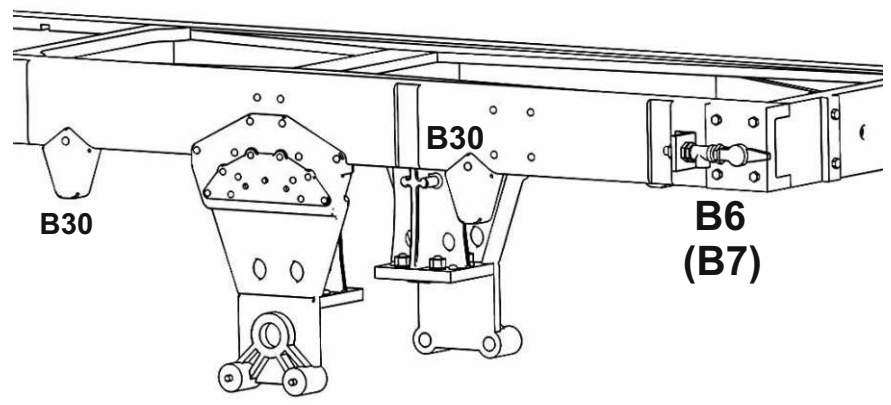
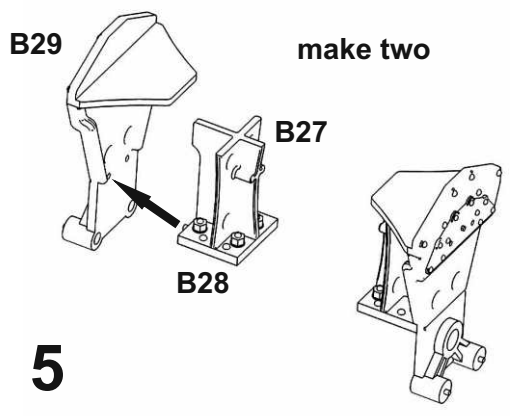
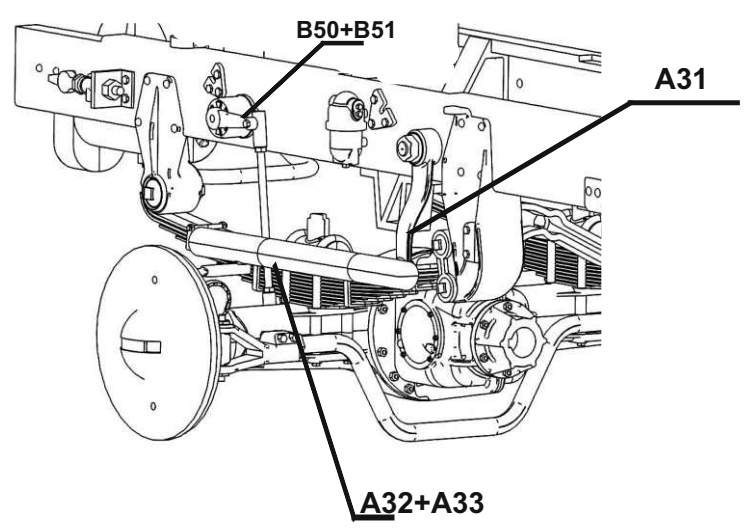
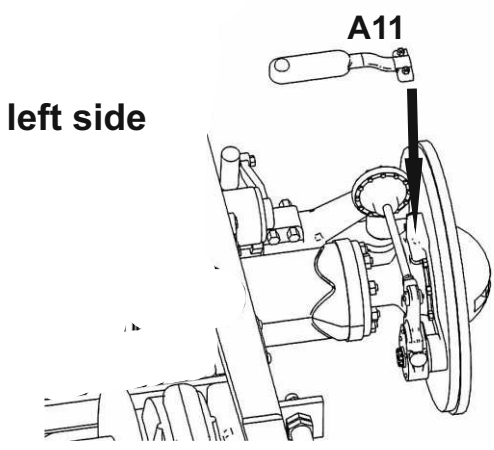
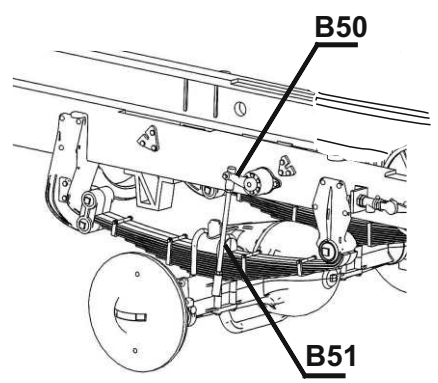
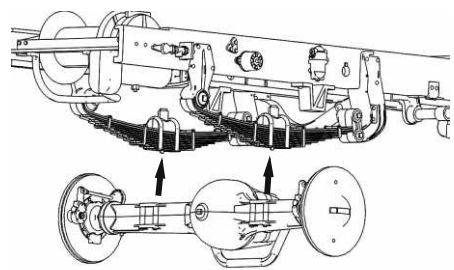
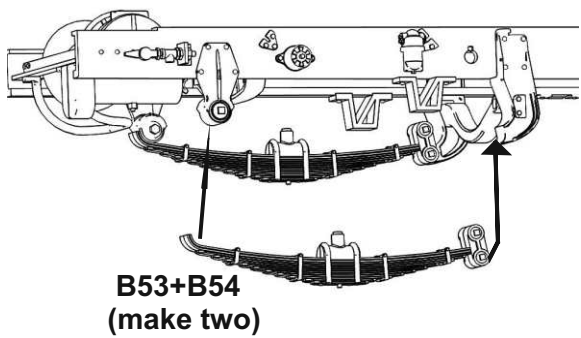
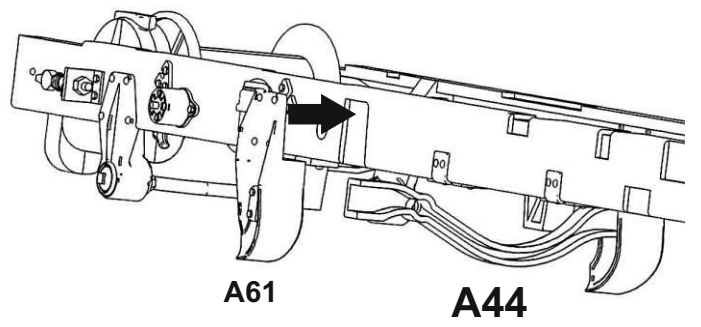
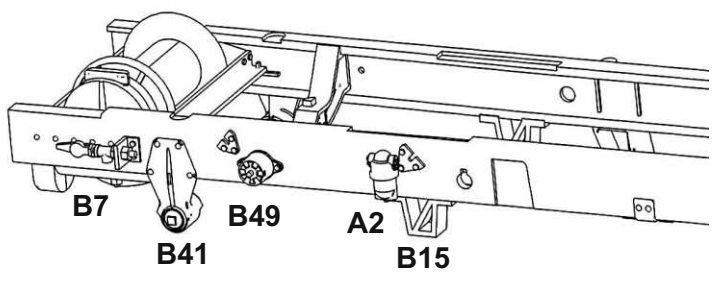
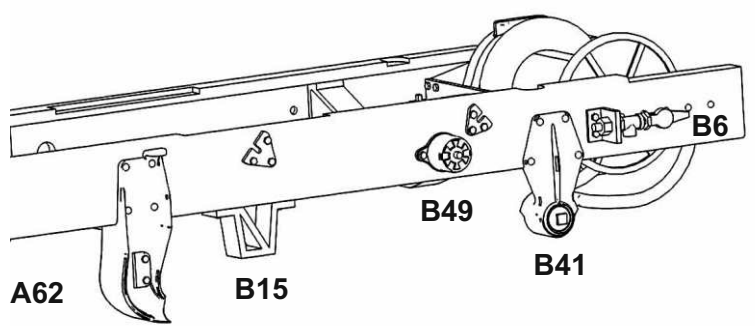
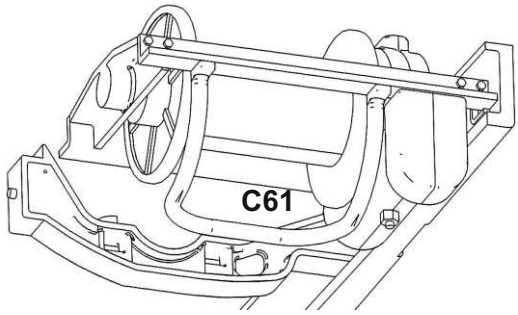


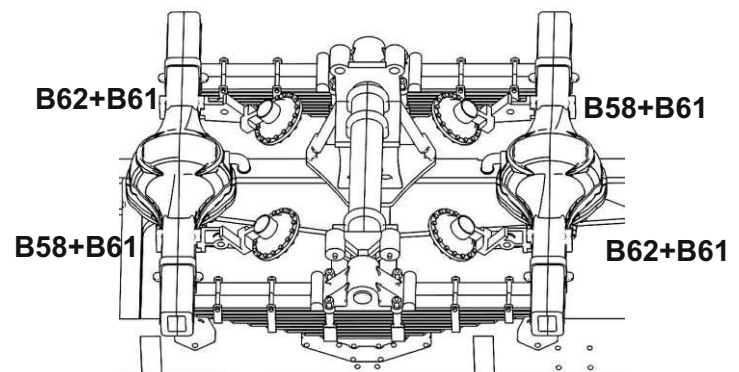
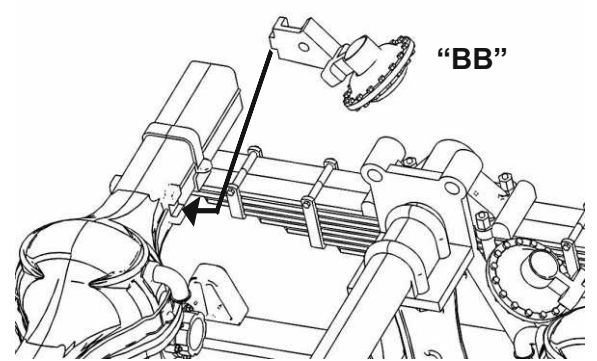
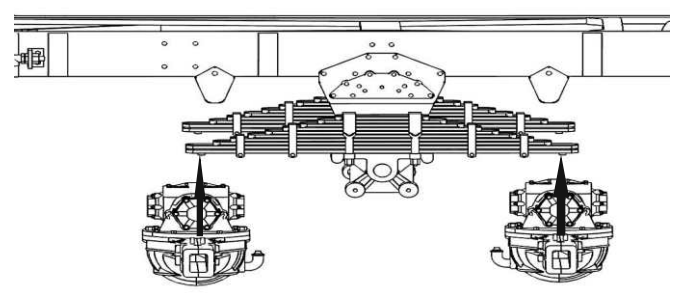
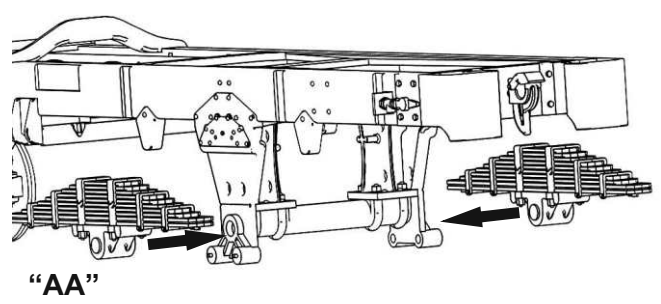
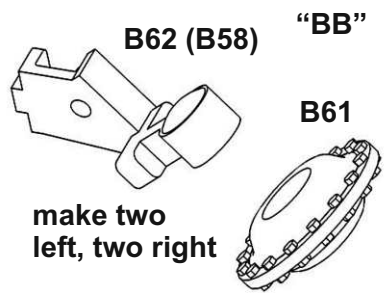
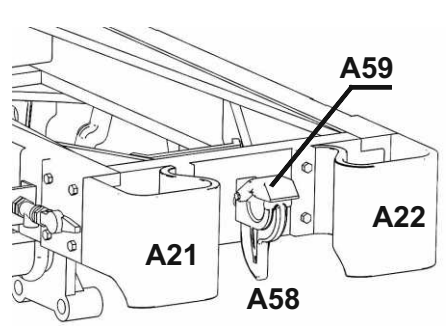
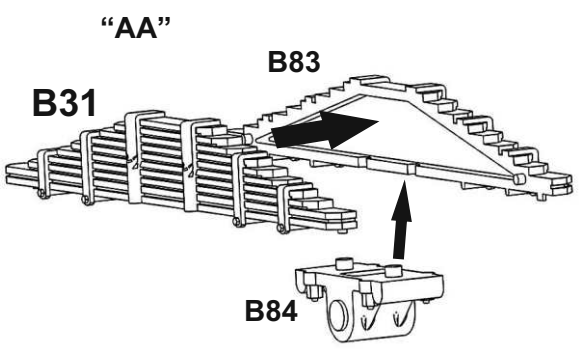
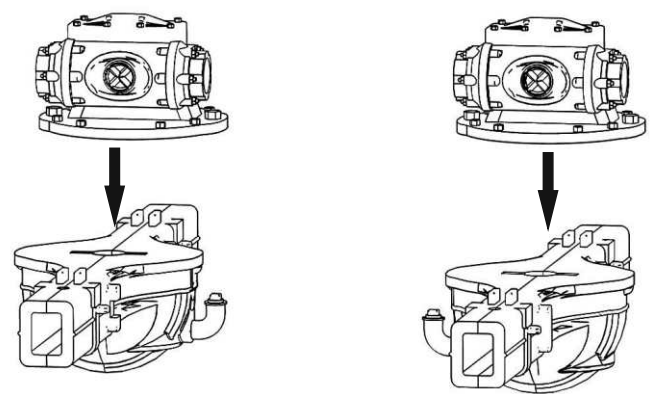
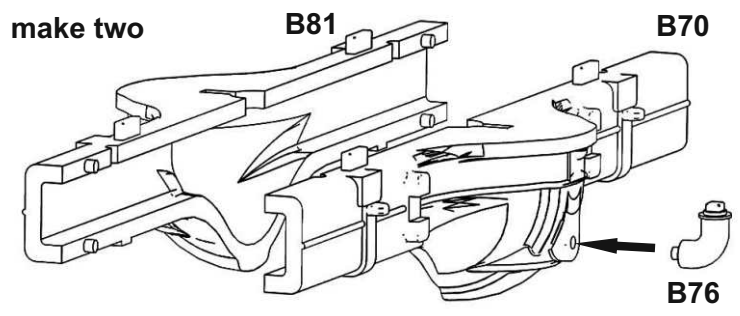
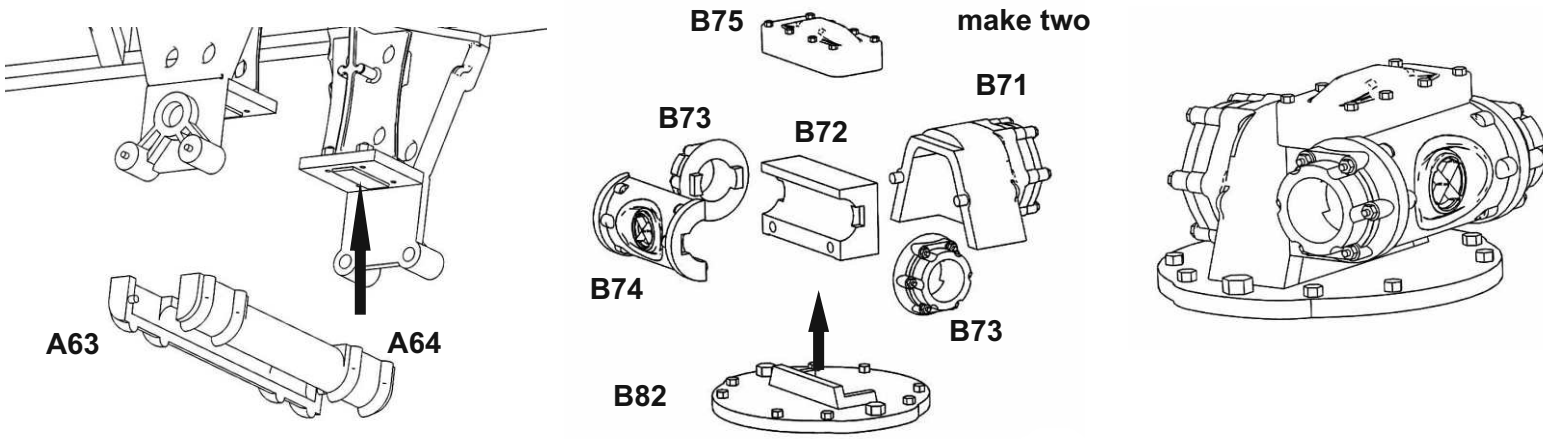
Chassis



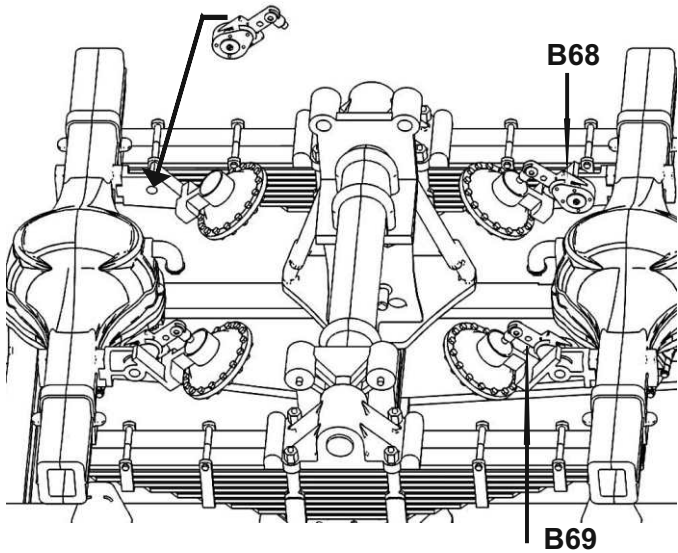
Assemble A43 into frame, but do not glue it until you fit engine later on, you might need to move it slightly forward or back, depending how accurate you have worked on back transmissions







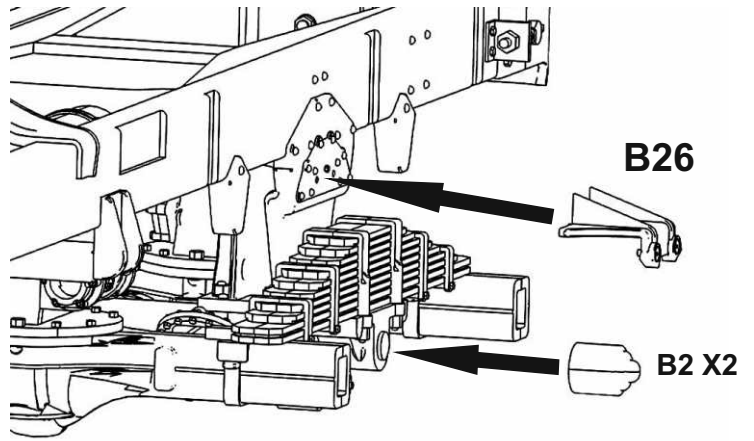
B69



B68

B69

B26



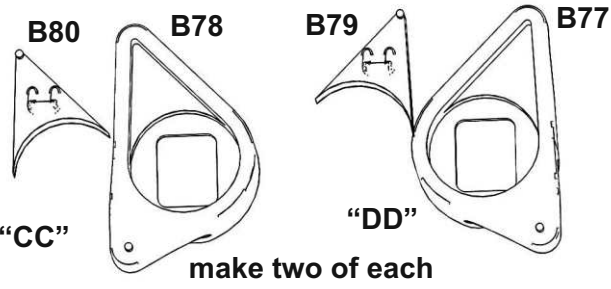
B2 X2

B80

B78

B79

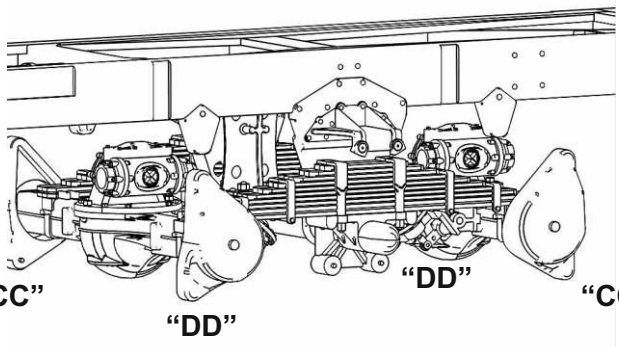
B77



"CC"

"DD"

make two of each

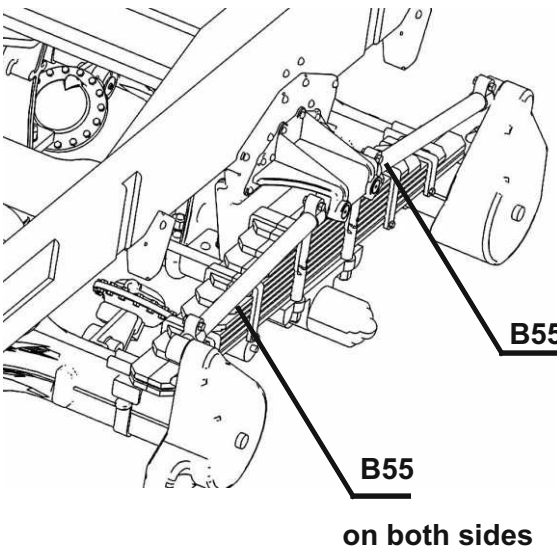


"CC"

"DD"

"DD"

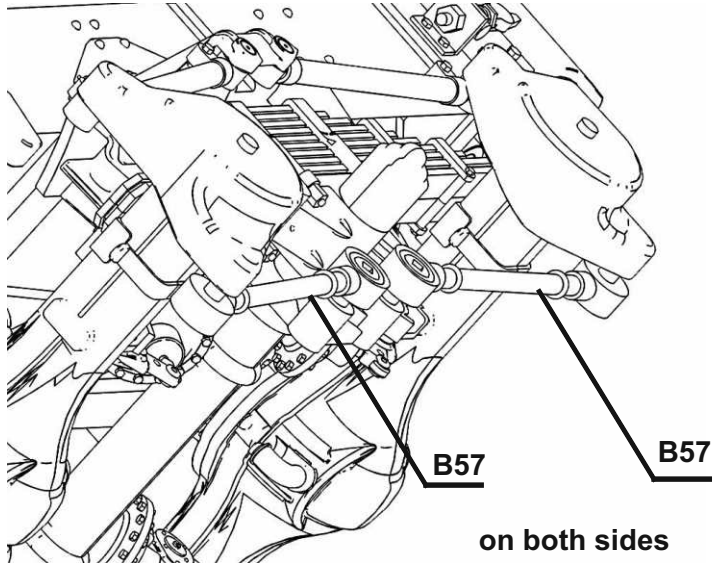
"CC"



B55

B55

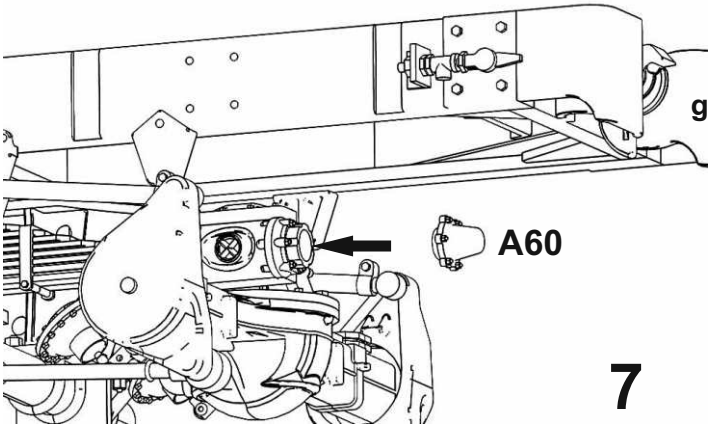
on both sides



B57

B57

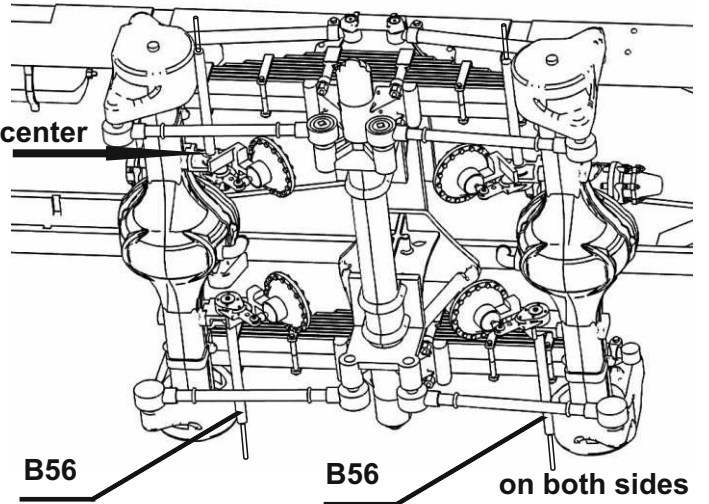
on both sides



A60

glue in center

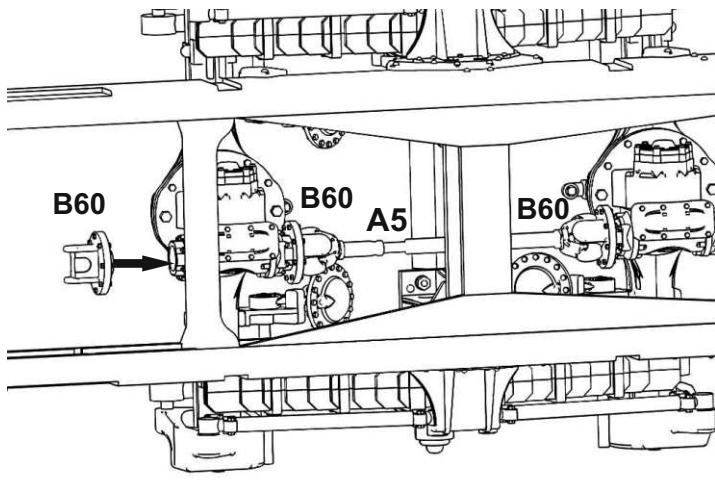
7



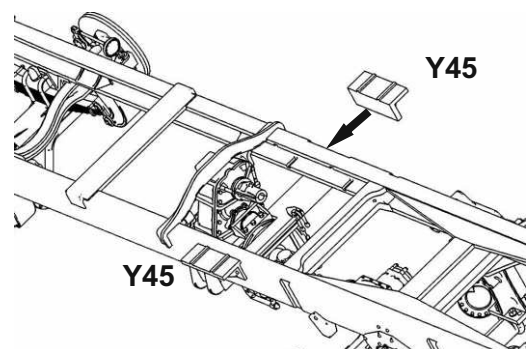
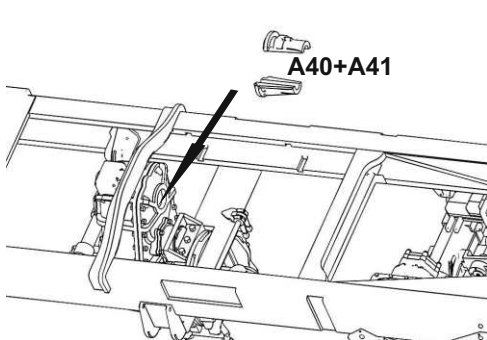
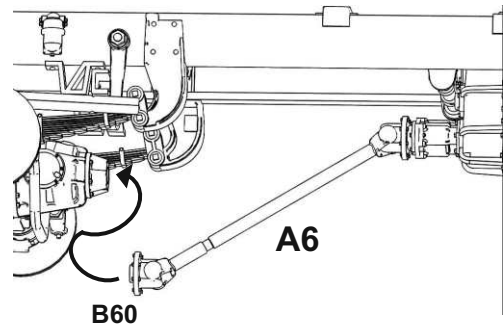
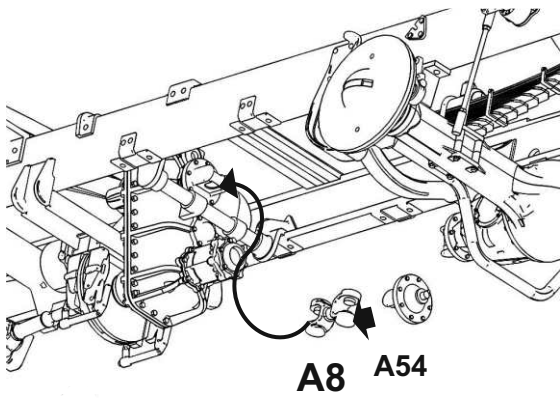
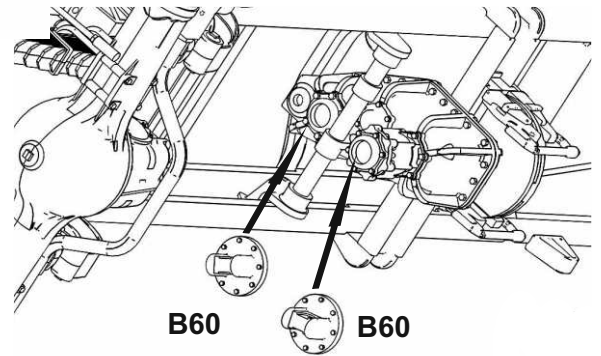
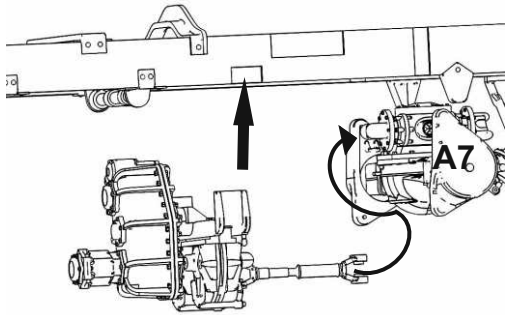
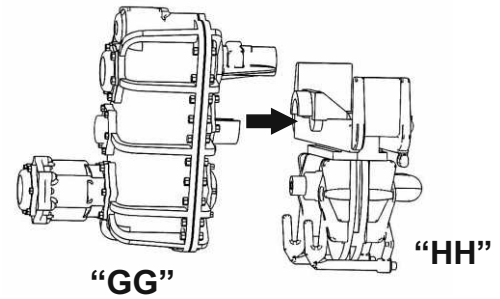
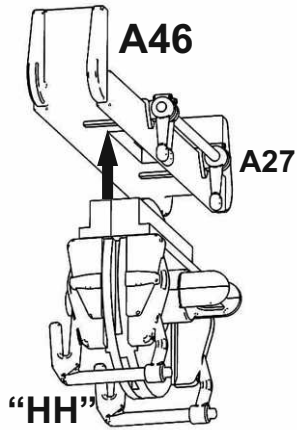
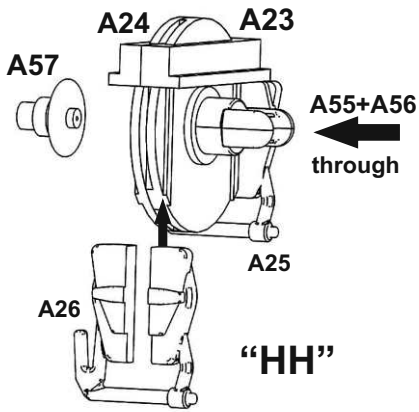
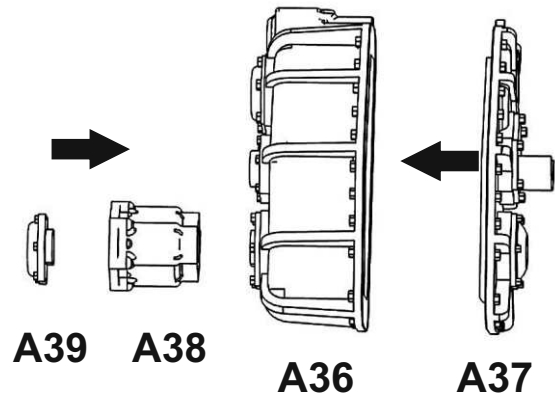
B56

B56

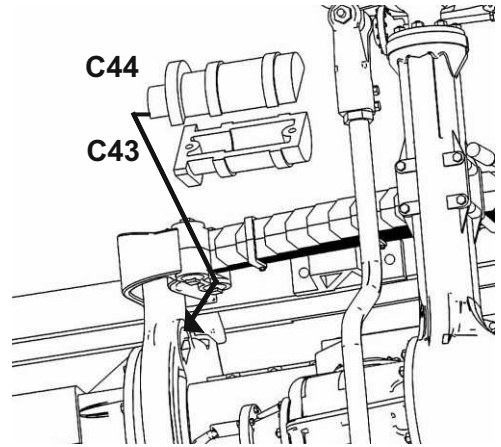
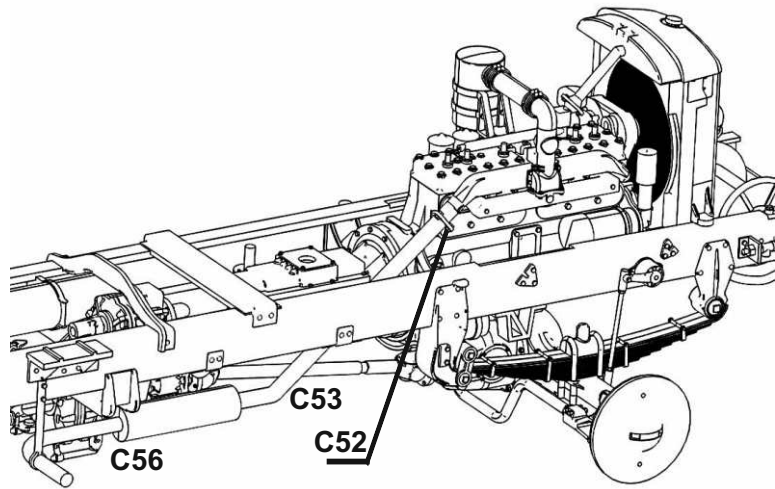
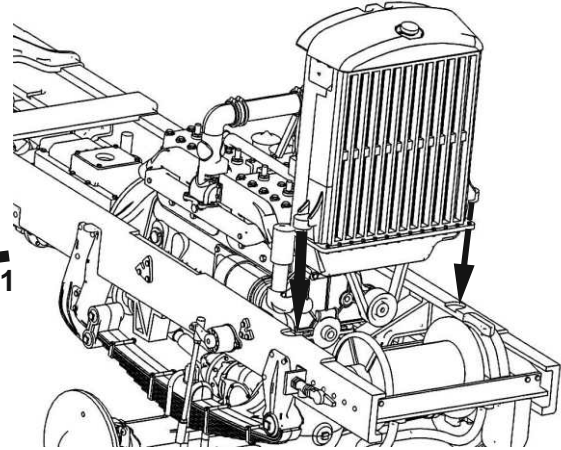
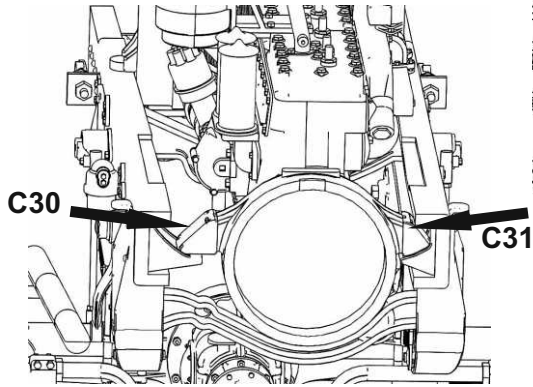
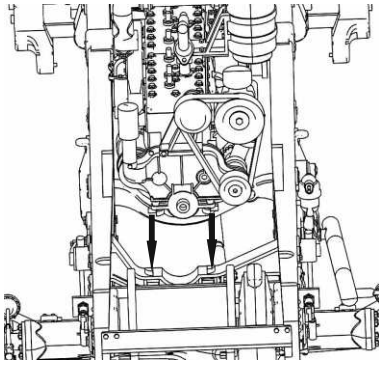
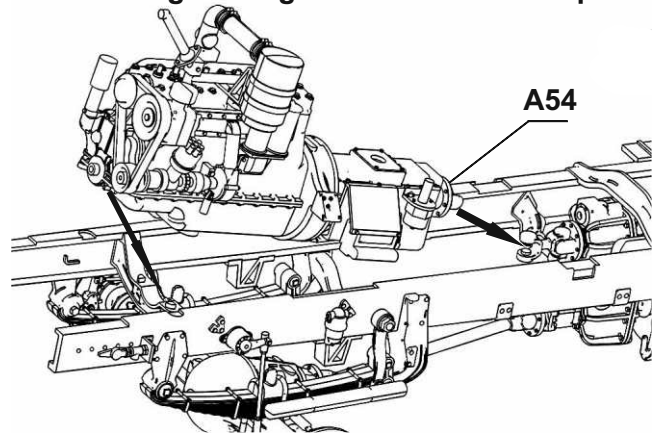
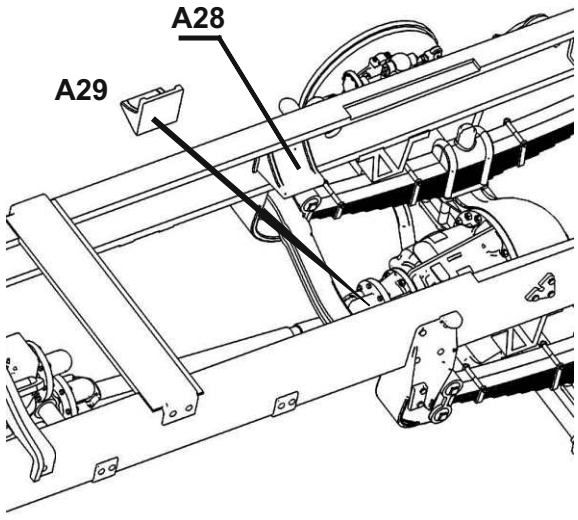
on both sides



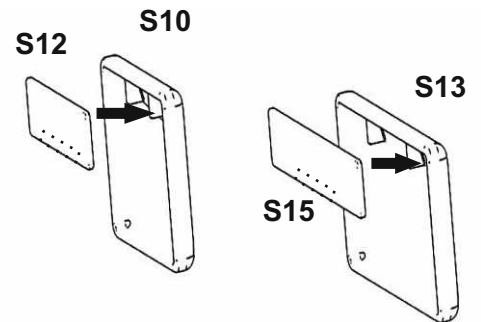
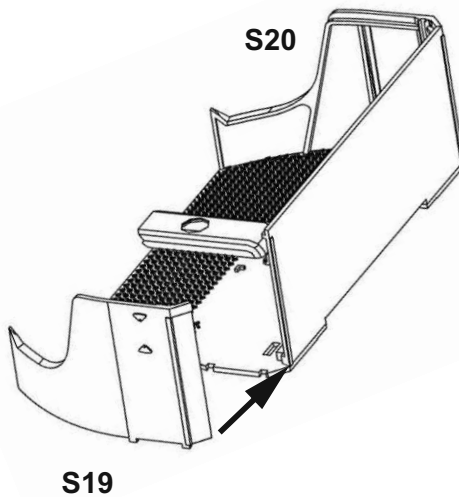
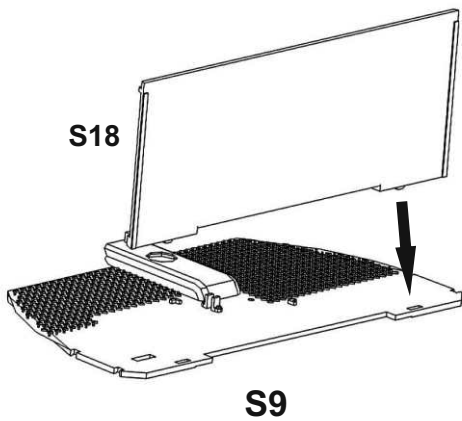
“GG”

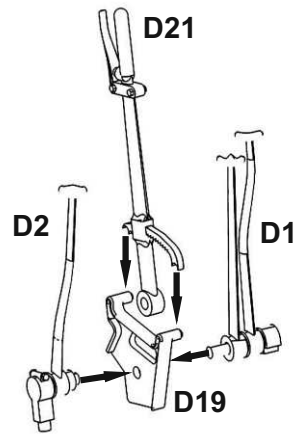
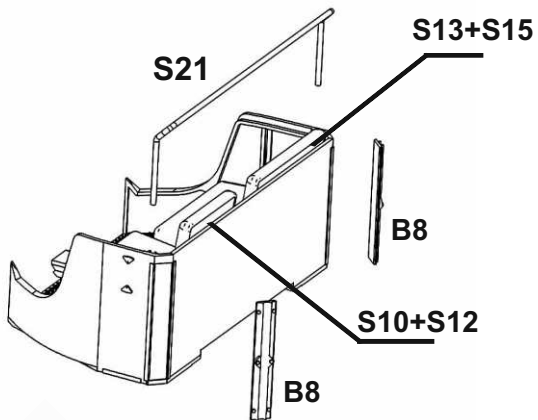
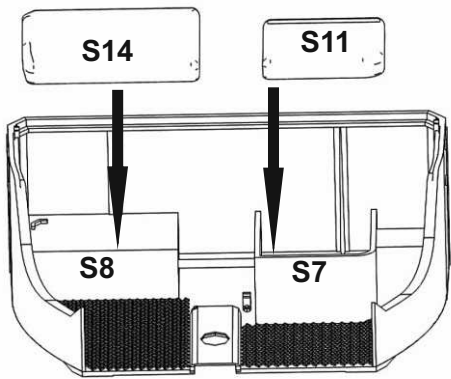


Fit engine at the back first, let it down - if needed, move engine crossbeam A43 slightly front or back and once fitted glue engine and also A43 in position

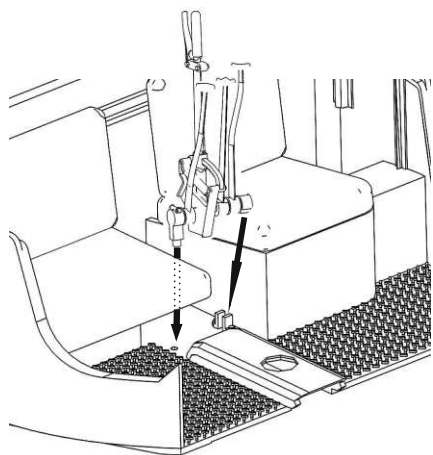


Open cab

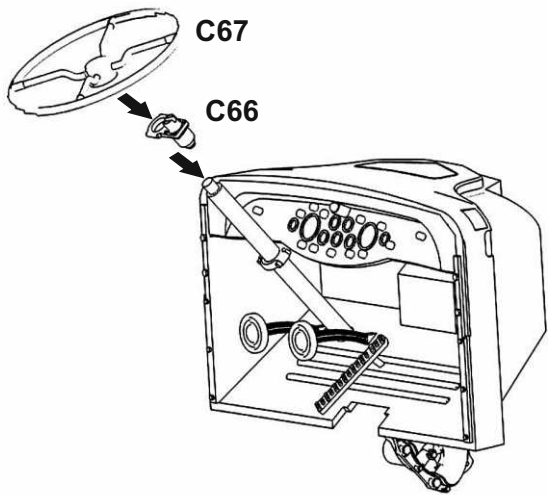
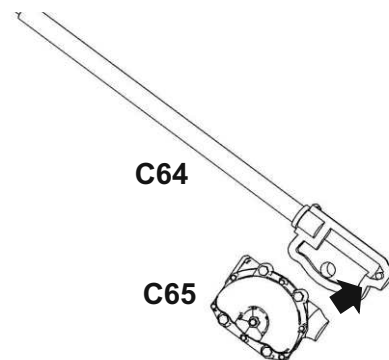
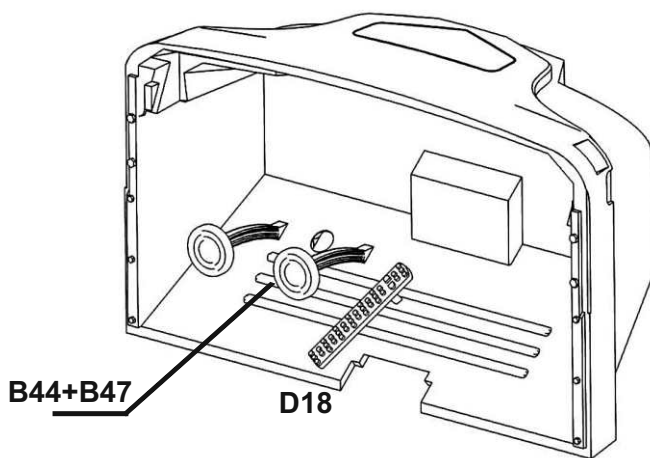
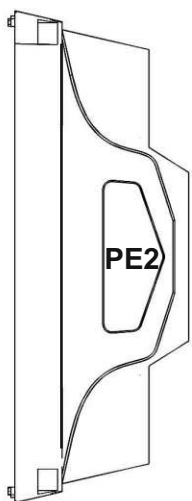
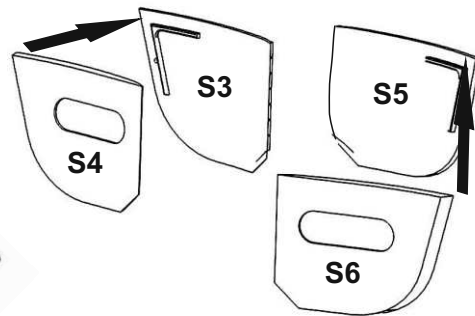
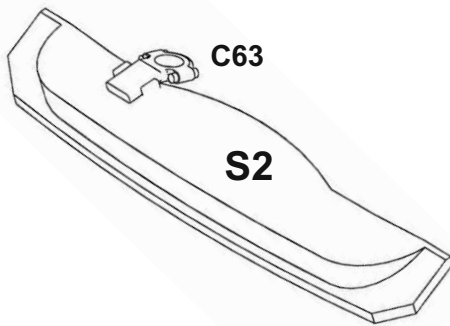




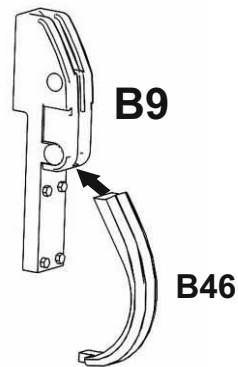
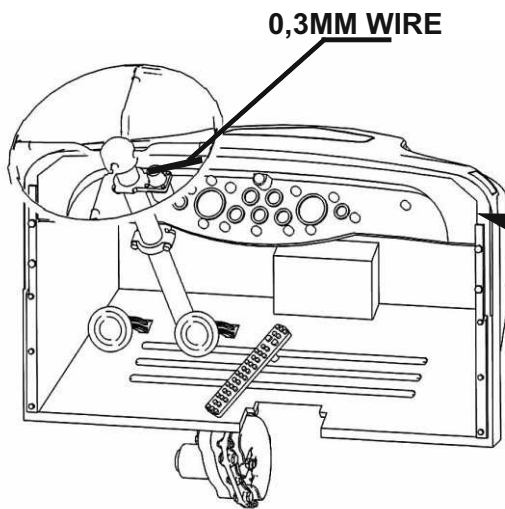
D19+D21 FIRST, THEN D1,D2



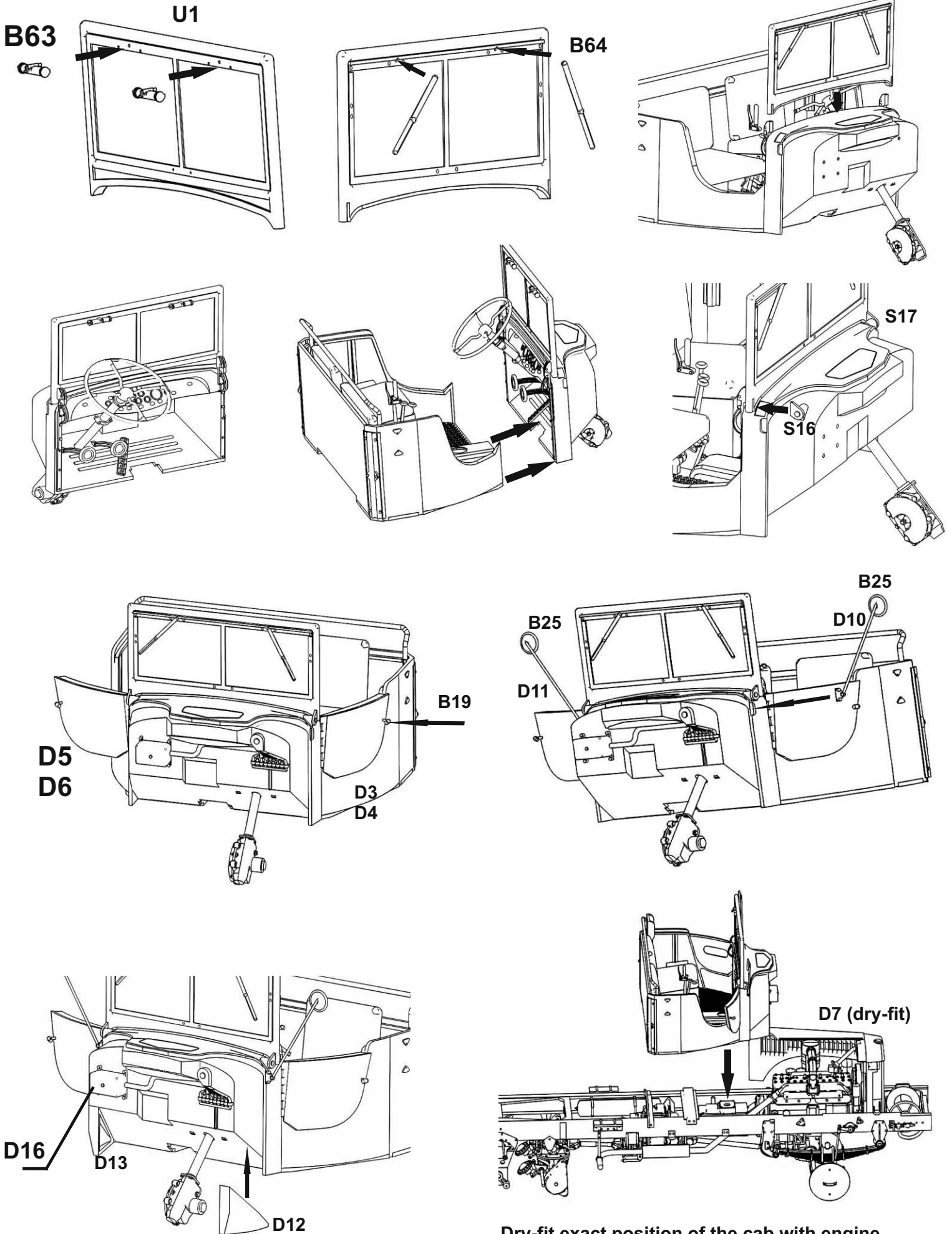
FROM INSIDE!



pull C64+C65 through, do not glue yet!



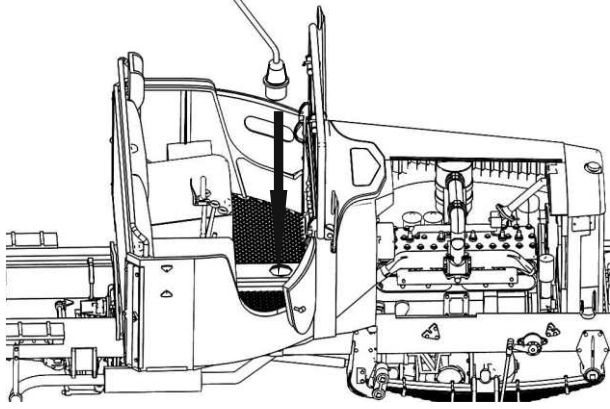
make two



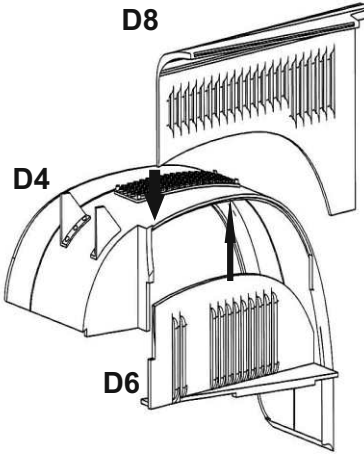
Dry-fit exact position of the cab with engine cover D7, hole in the cab floor should fit with hole in gear box, once in position, put D24 through hole in the cab floor and glue into hole in gear box. Or you might prefer to assemble engine covers first, and then glue cab in position

once cab is glued in right position, remove D7 for further assembly

D24

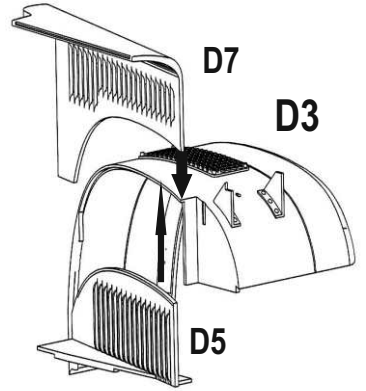


D8

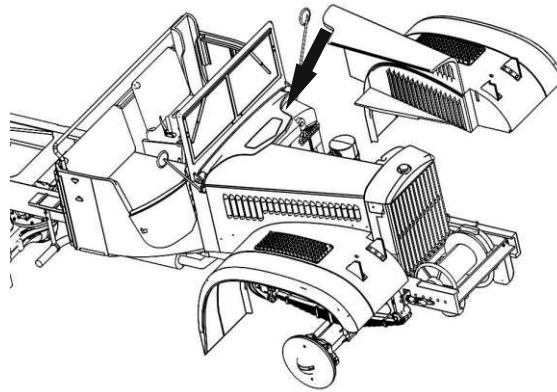
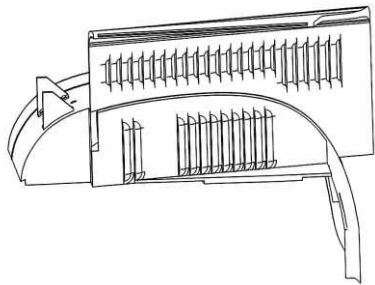


D7

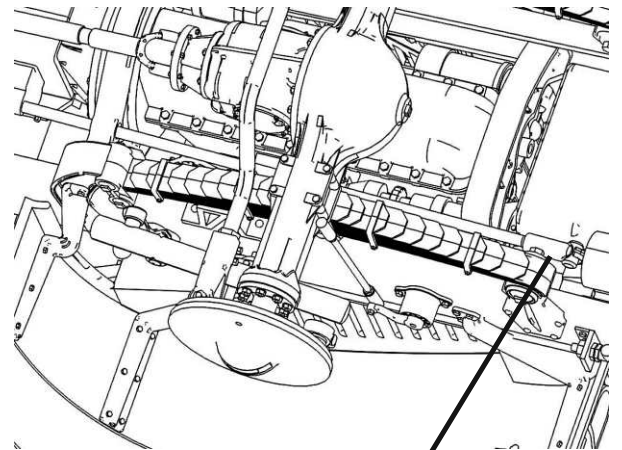
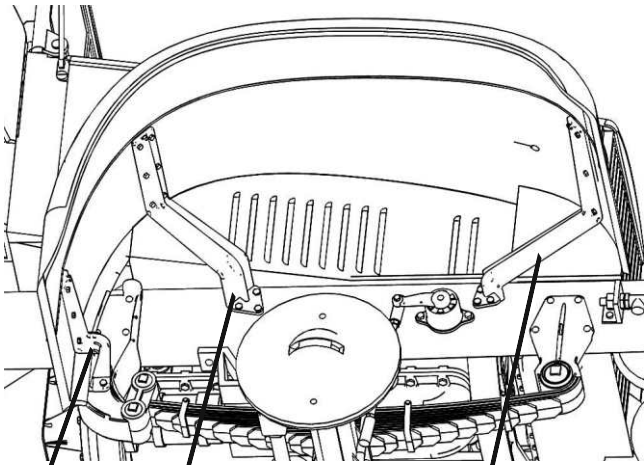
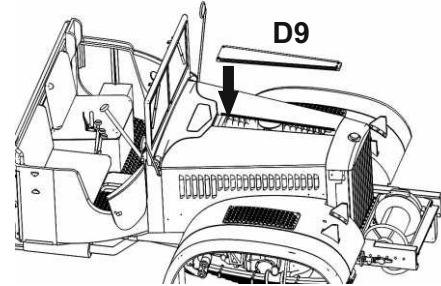
D3



D6



D9

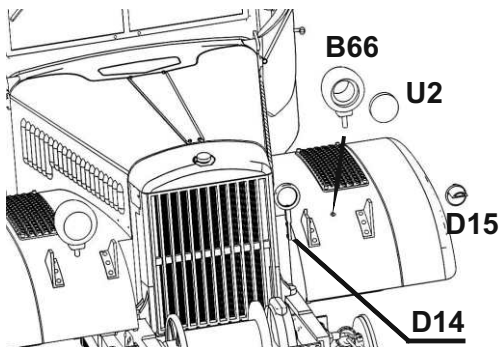


B18

B17

B16

C62

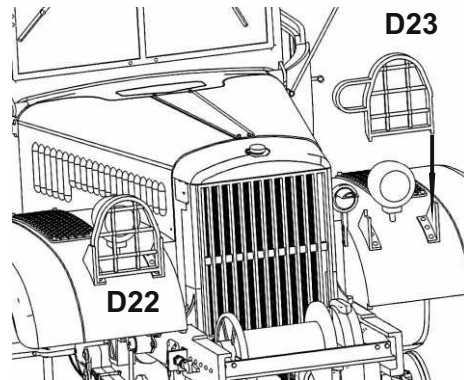


B66

U2

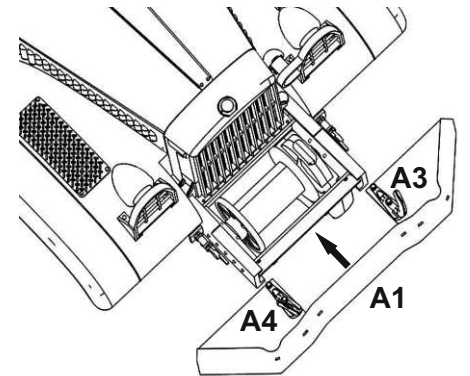
D15

D14



D23

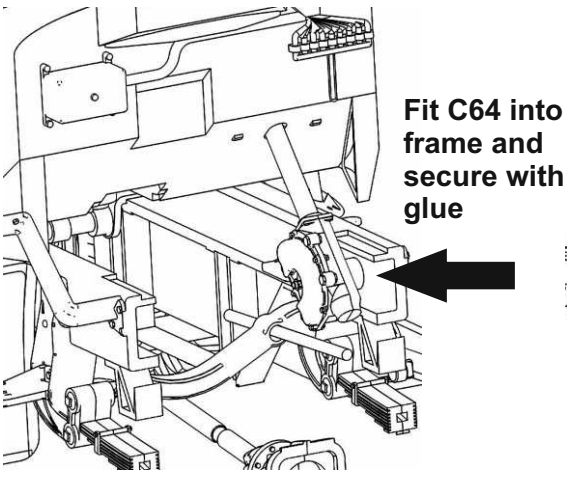
D22



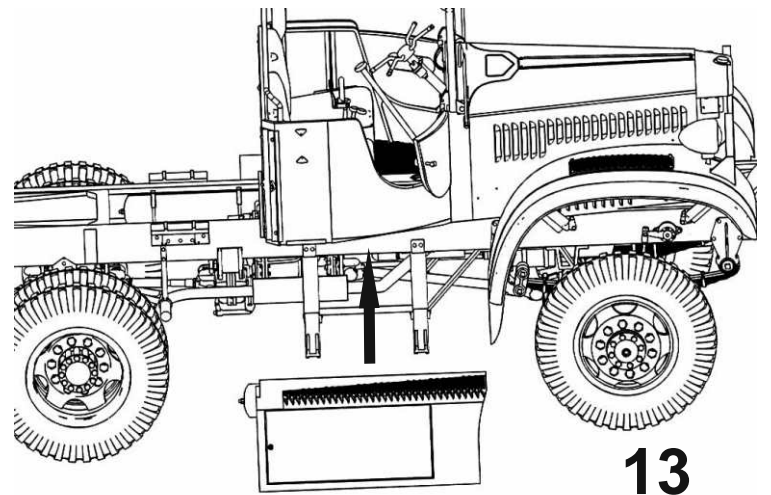
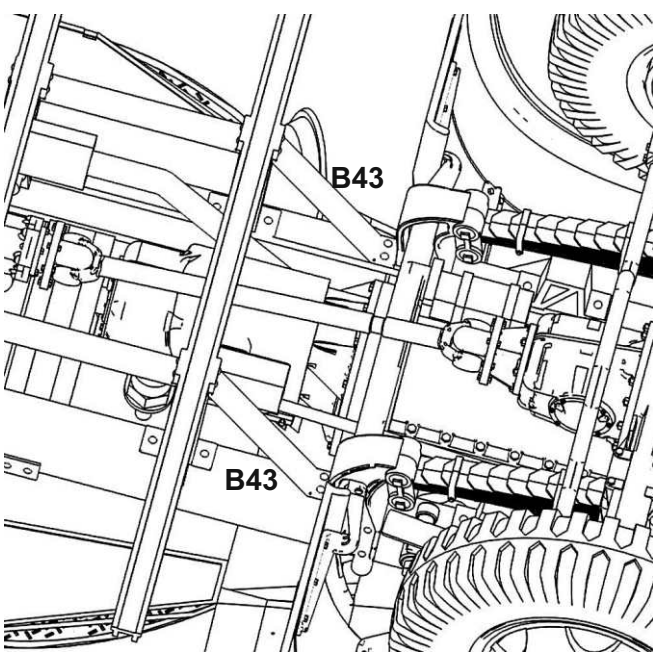
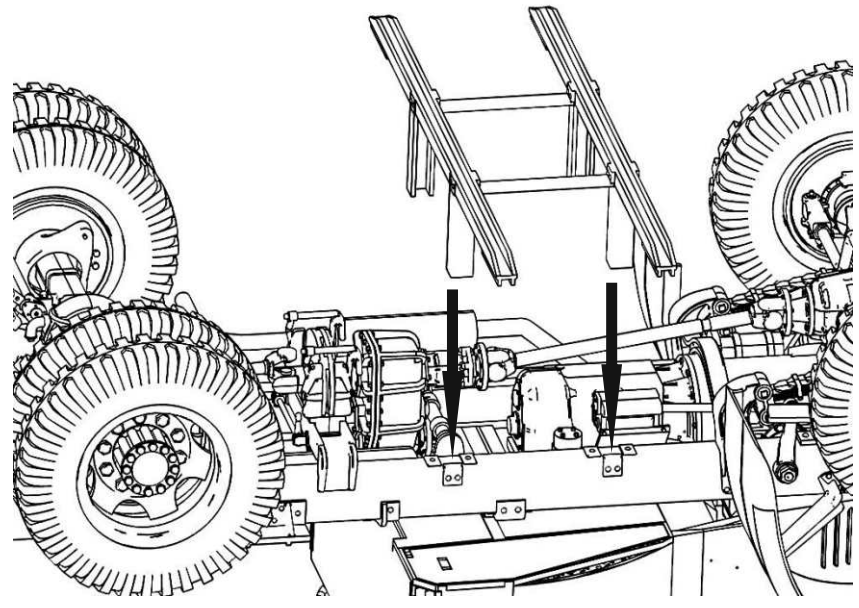
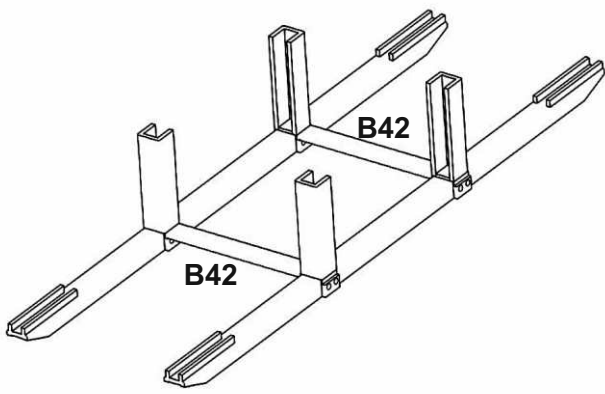
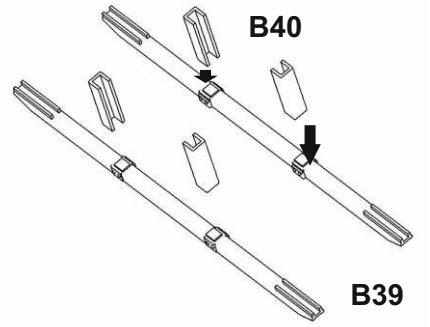
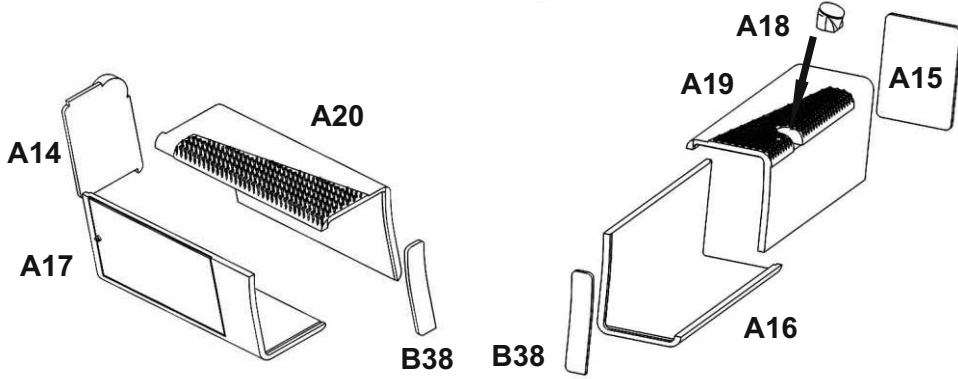
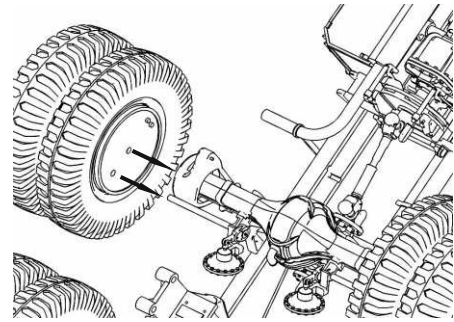
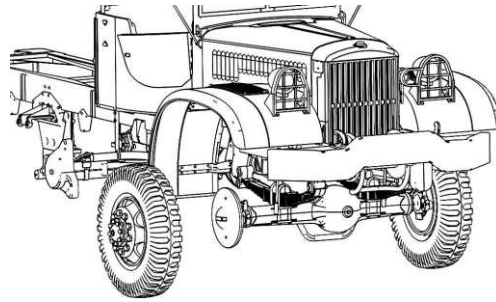
A3

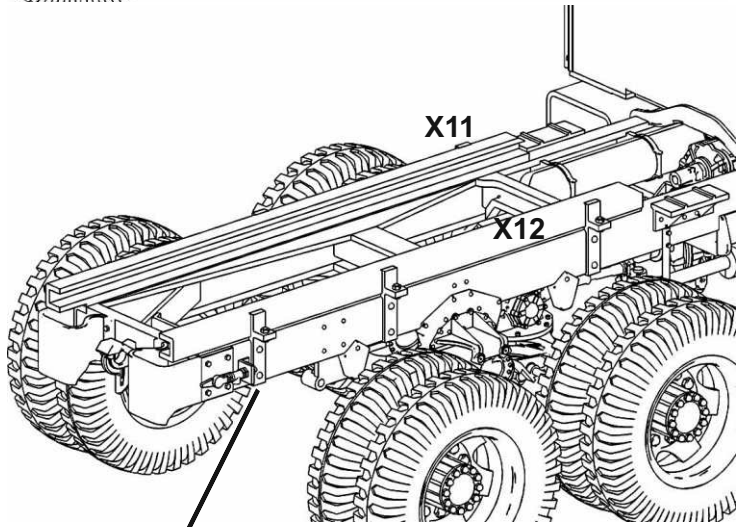
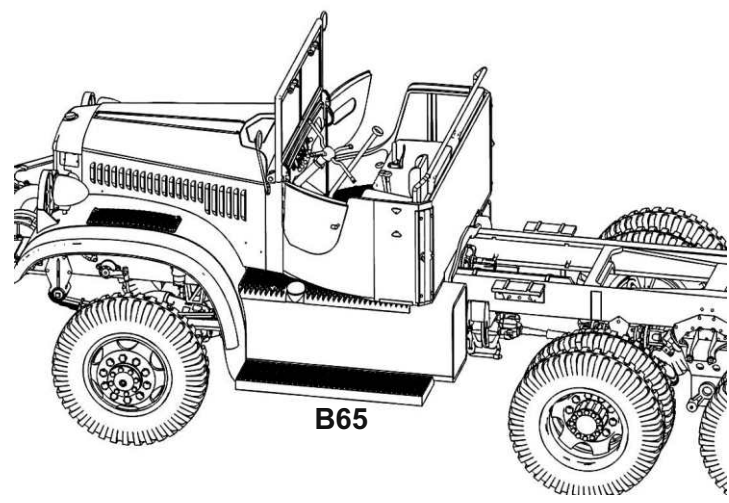
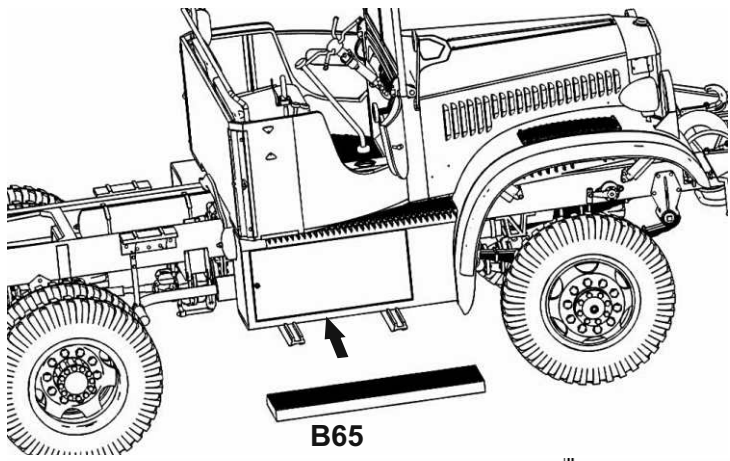
A4

A1

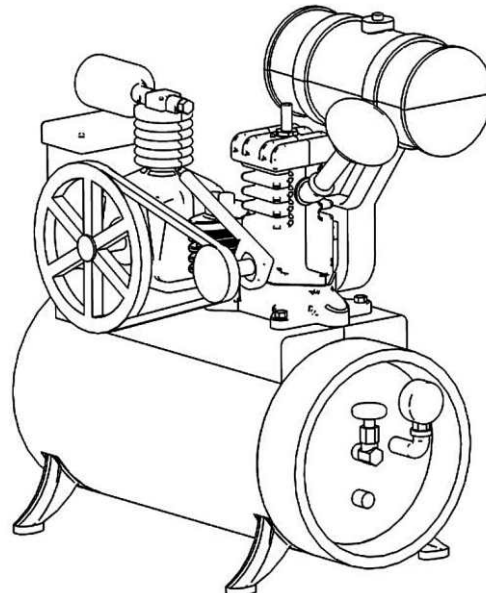
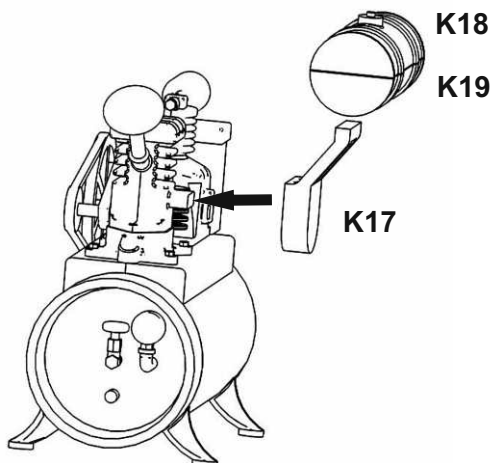
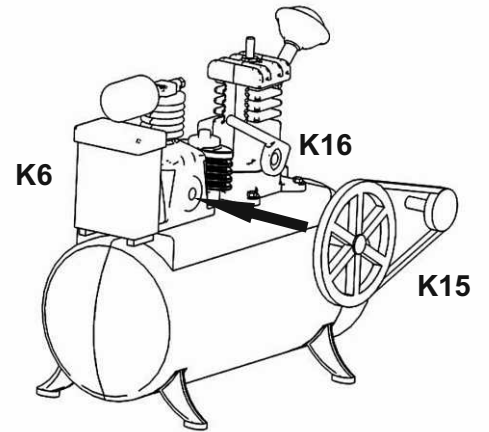
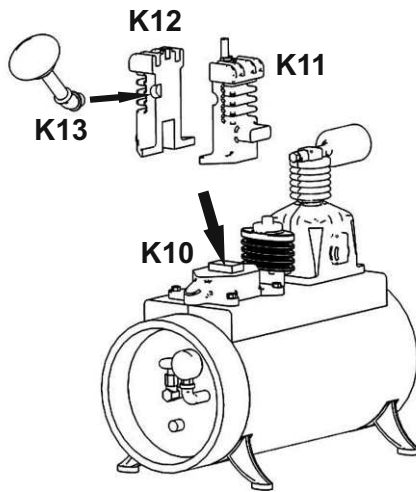
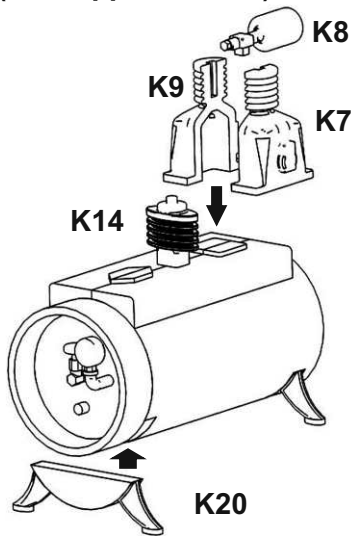
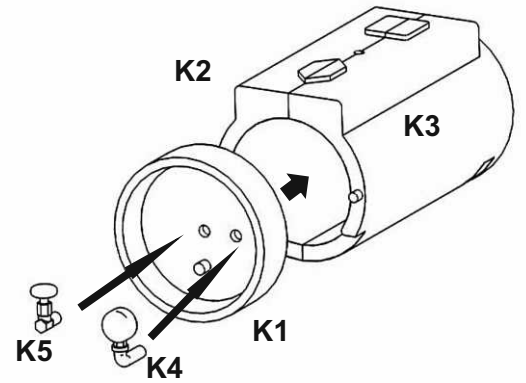


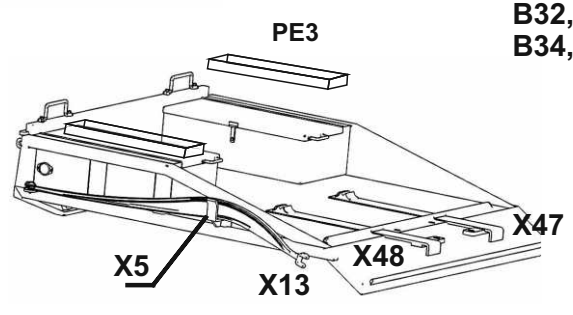
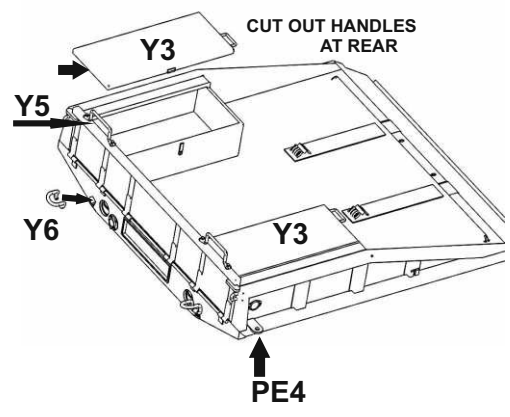
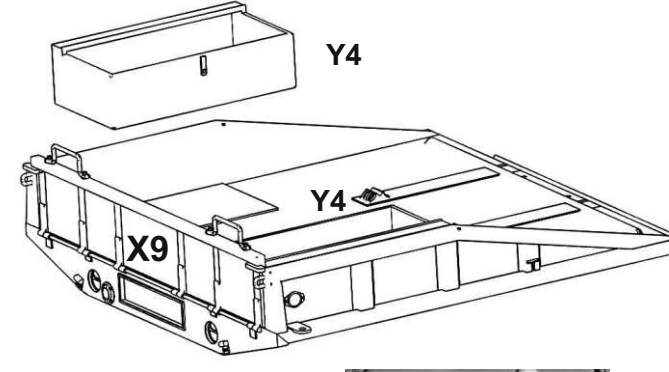
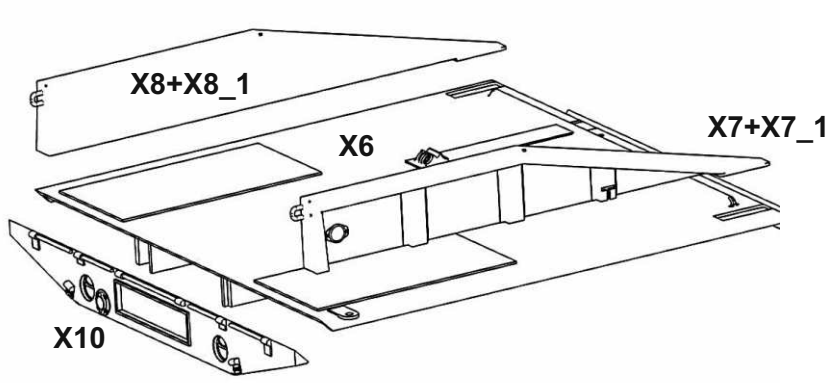
assemble front and rear wheels





3XB67
(also opposite side)

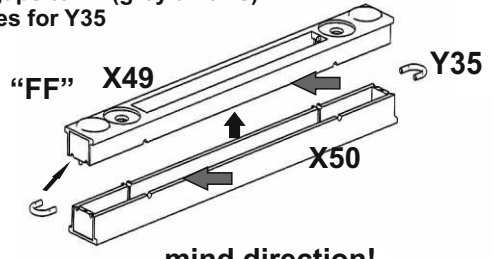
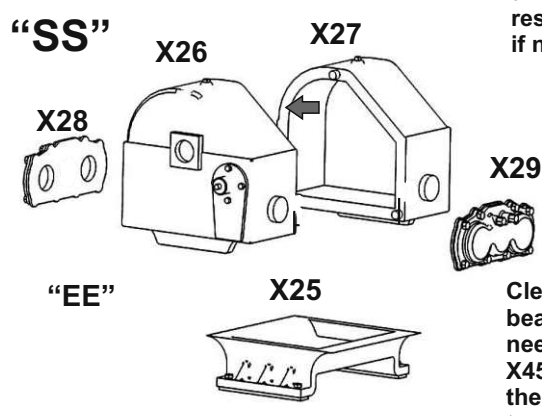




B32,B33
B34, B59

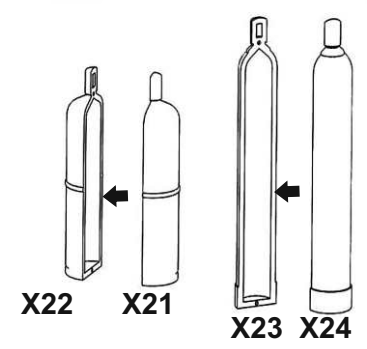
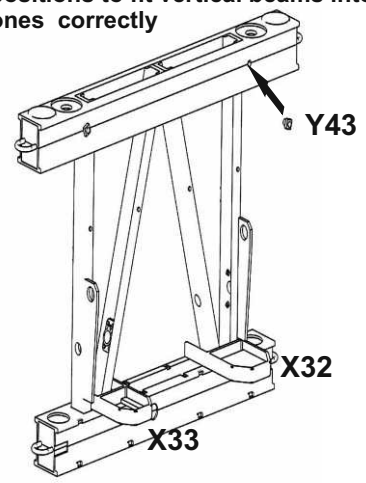
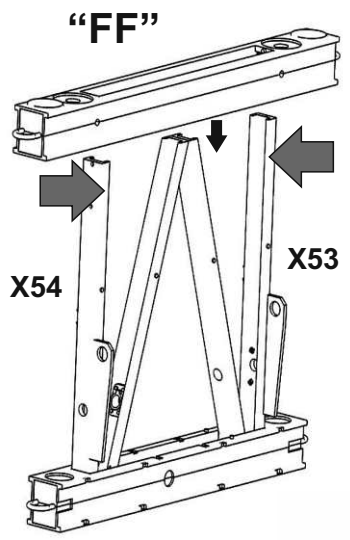
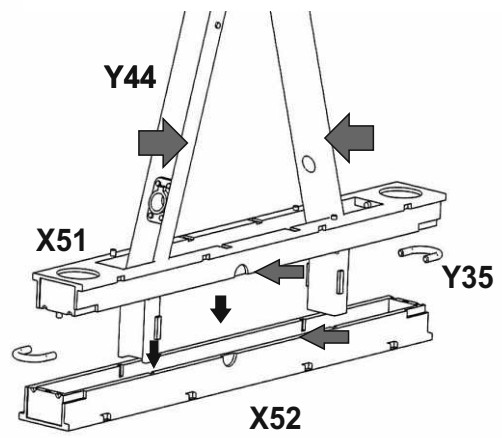


X26+X27, X49+X50, X51+X52 have edges rather rounded than flat, because of plastic filling limits in sharp corner while the wall is very thin, sand all edges flat before you glue parts together, it will avoid any gaps to fill (grey arrows) restore holes for Y35 if needed



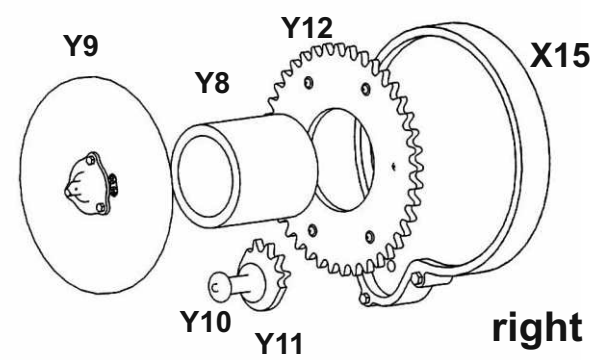
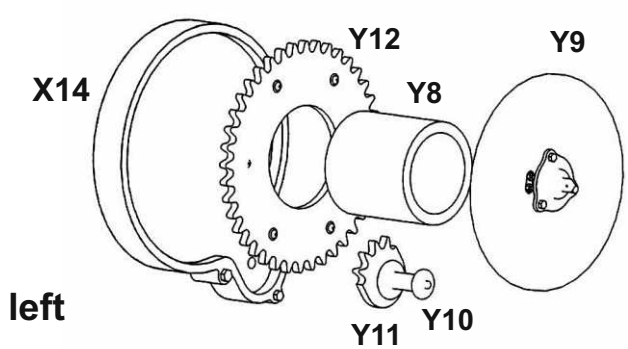
mind direction!

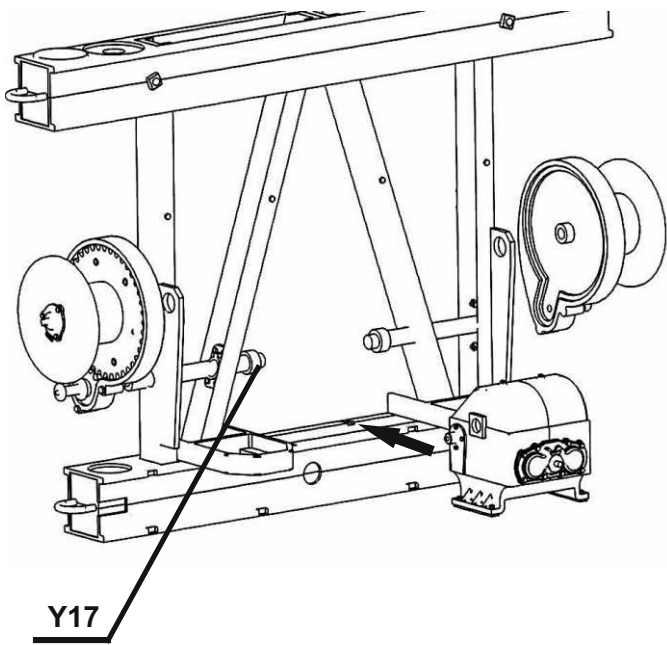
Clean perfectly openings in "FF" and bottom beam for easy fit of vertical beams. You might need to sand slightly sides of beams Y44, X32, X45 to fit without force into X51+X52 and "FF", these are a little bit wider than needed, otherwise too thin walls would cause problems with plastic injection (grey arrows). Before you sand, mark positions to fit vertical beams into horizontal ones correctly



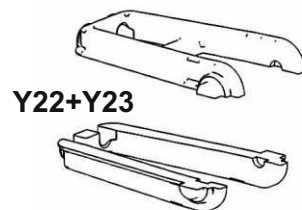
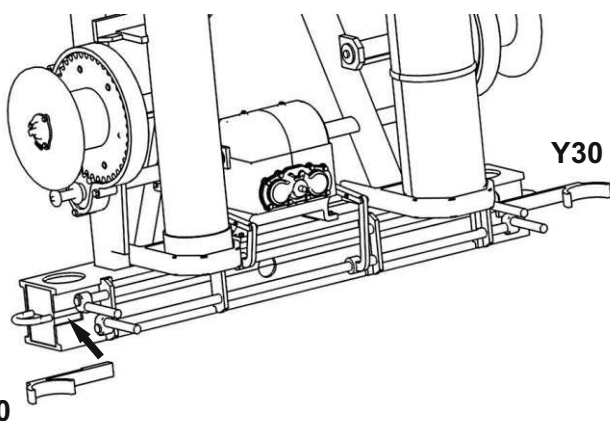
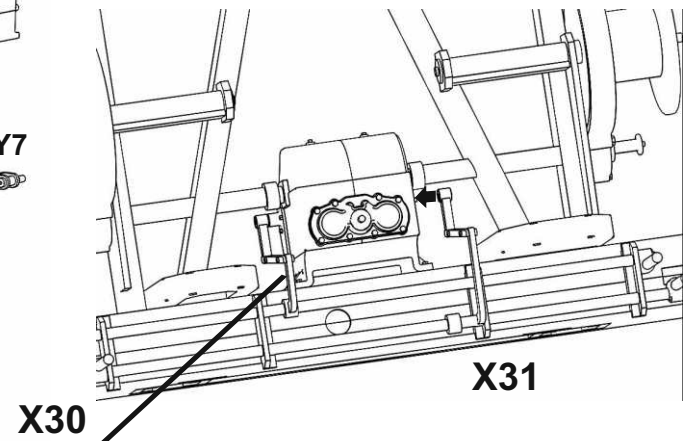
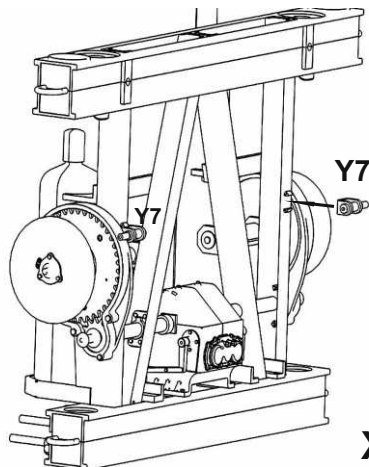
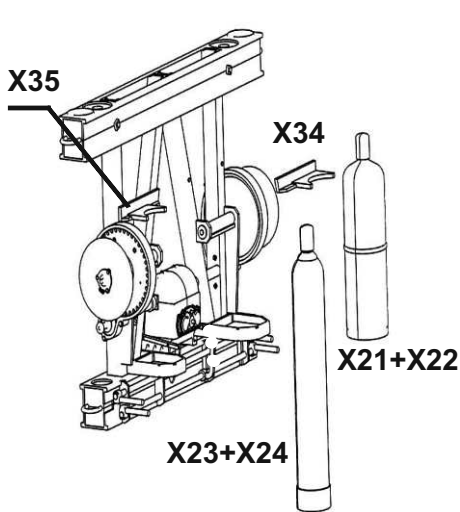
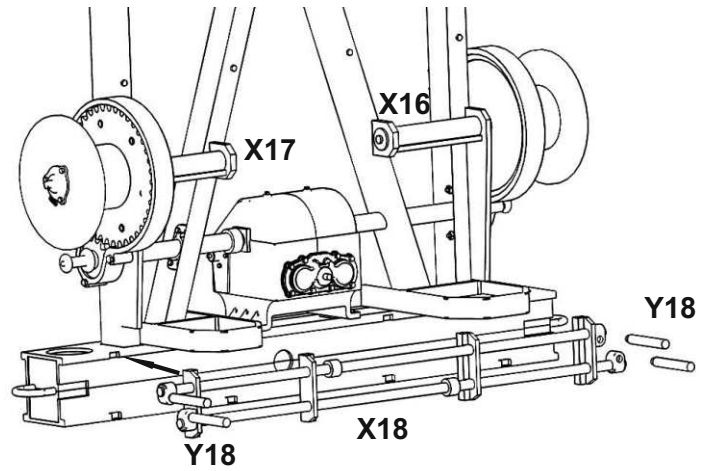
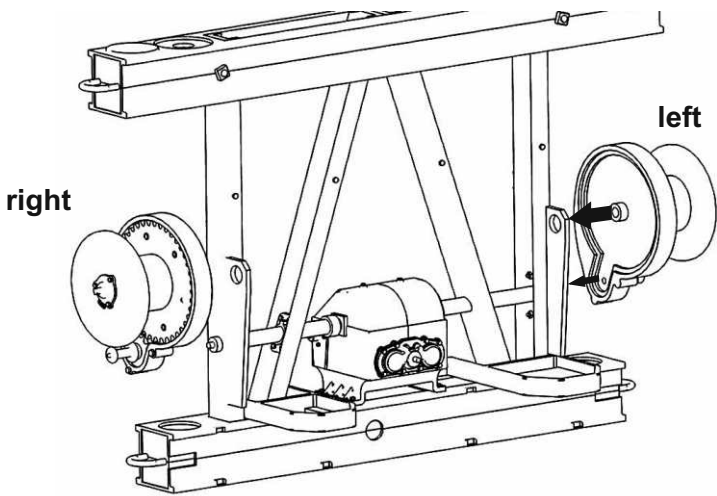
make two,
left and right

15

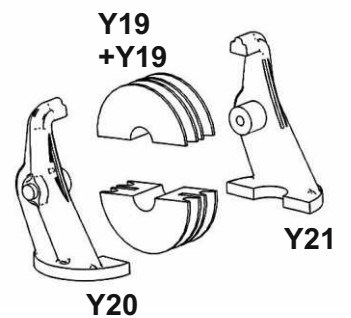




Do not glue Y17 before you put onto place assembled "SS", then secure both Y17 with glue and add left and right reels

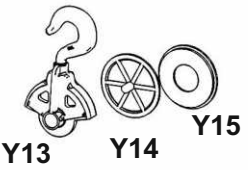


MAKE TWO "JJ"

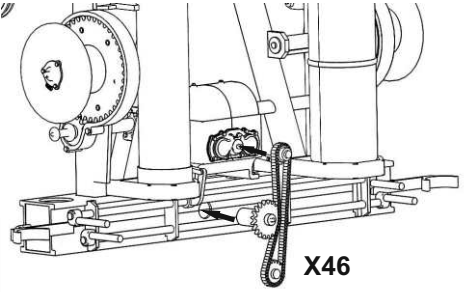
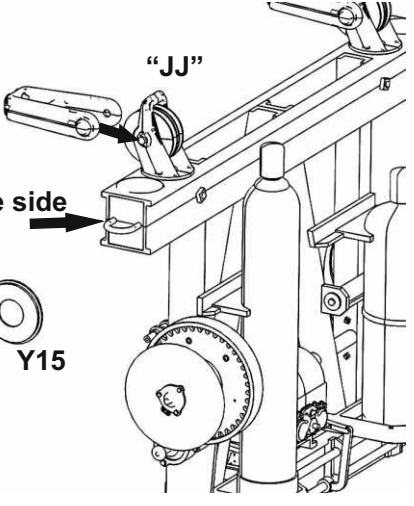


“JJ”

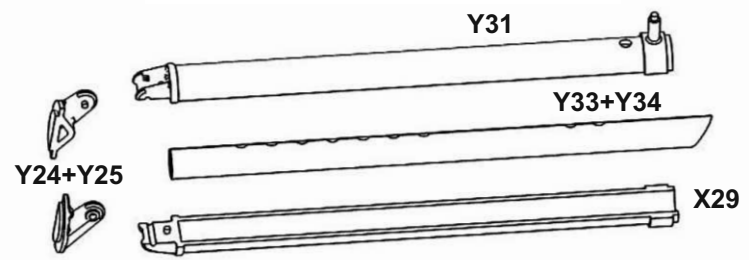
hang here and opposite side



MAKE TWO

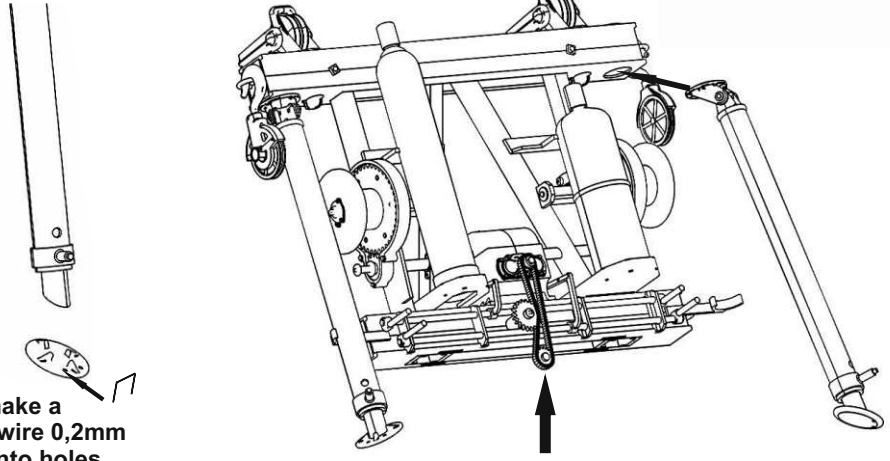


X46

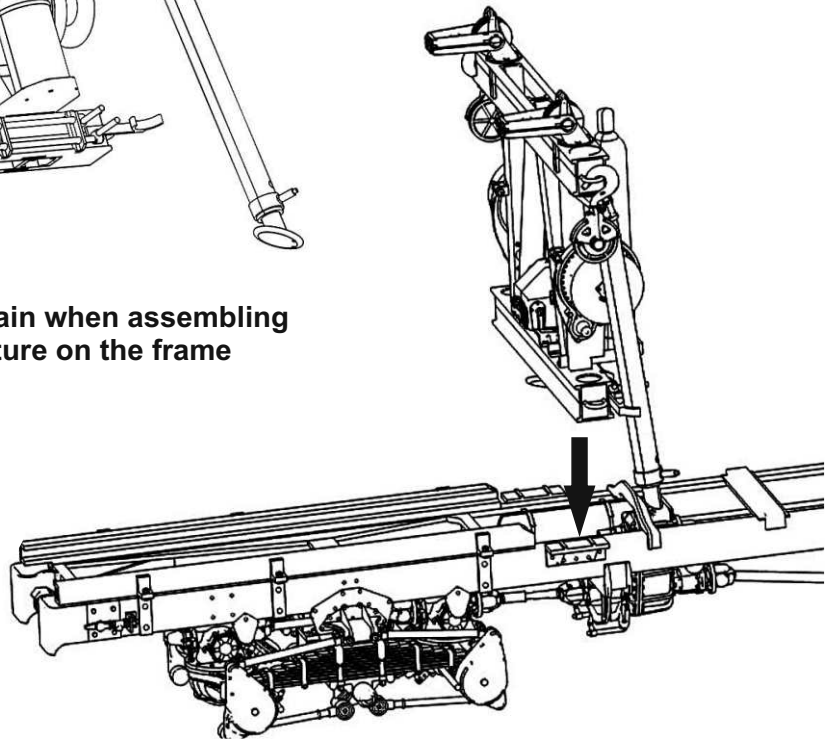
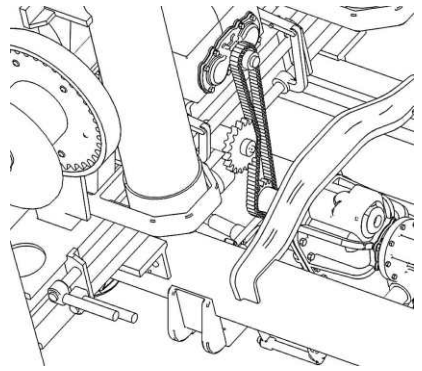


MAKE TWO - do not glue inner rods, they can be assembled in traveling or working position - pulled out

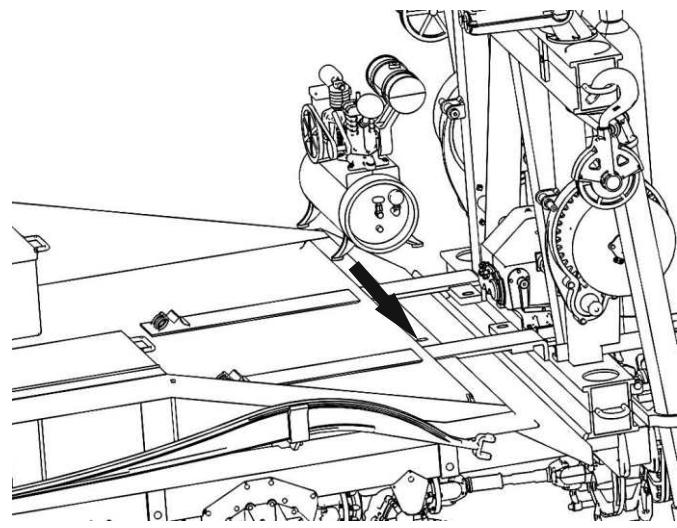
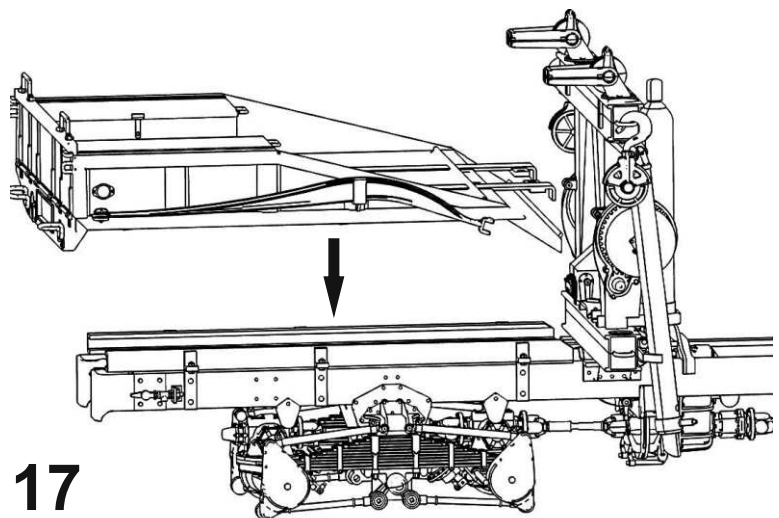
Y32
you can make a handle of wire 0,2mm and glue into holes



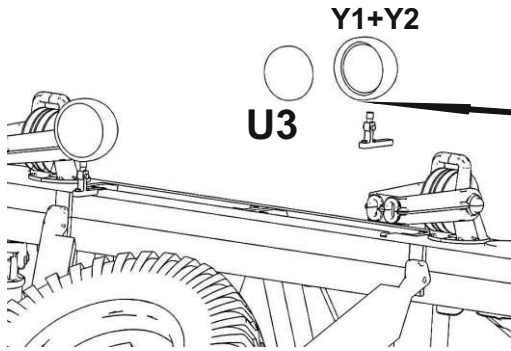
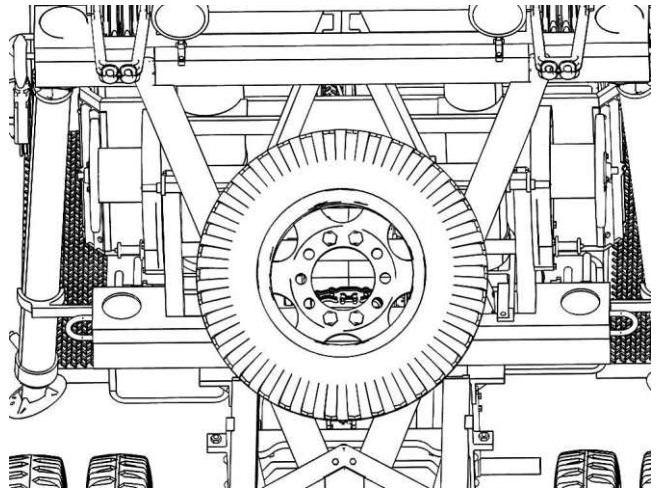
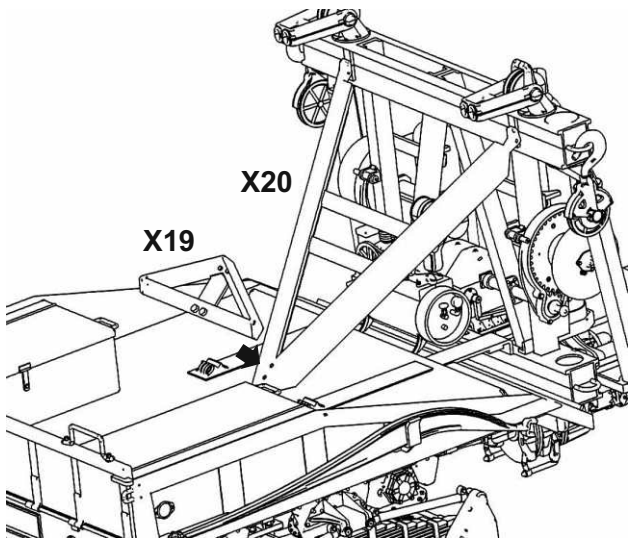
mind the chain when assembling whole structure on the frame



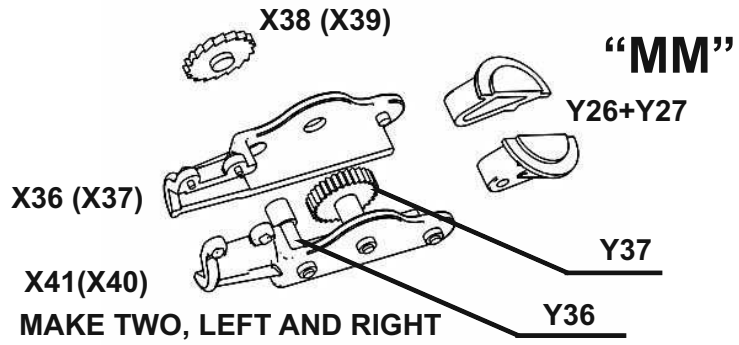
connect X46 into gear box



spare wheel B20 (drill holes marked at the back)
+B23



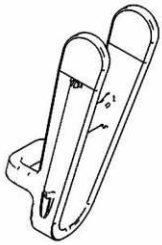
drill hole in
Y1 to glue
into it Y2



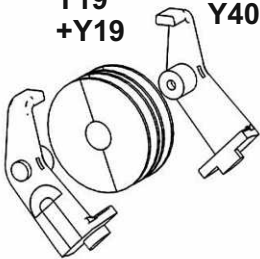
MAKE TWO

“NN”

Y41

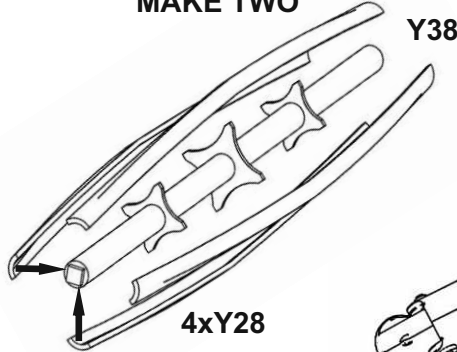


Y19
+Y19

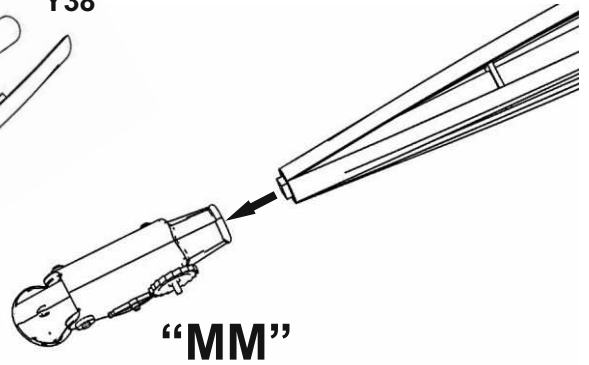


Y39

MAKE TWO

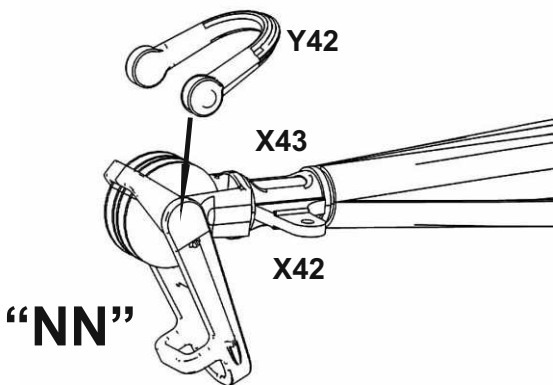


4xY28



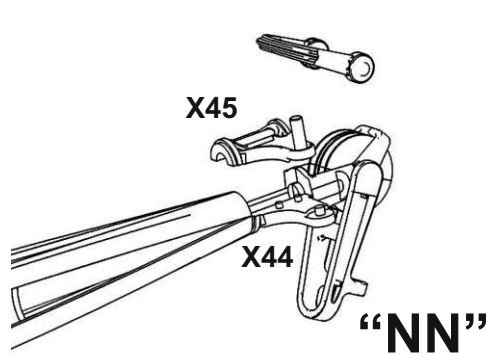
“MM”

You can build arms locked together
or open in any position. For locked position glue X44 and X45
with X42 glued between them



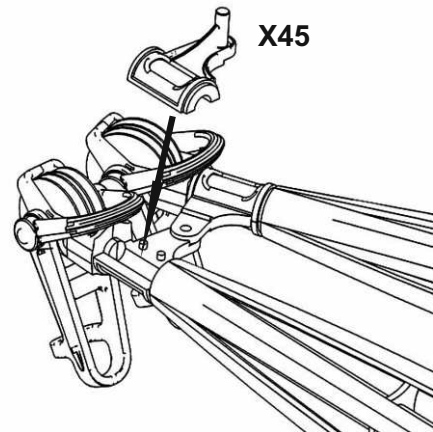
“NN”

Left arm

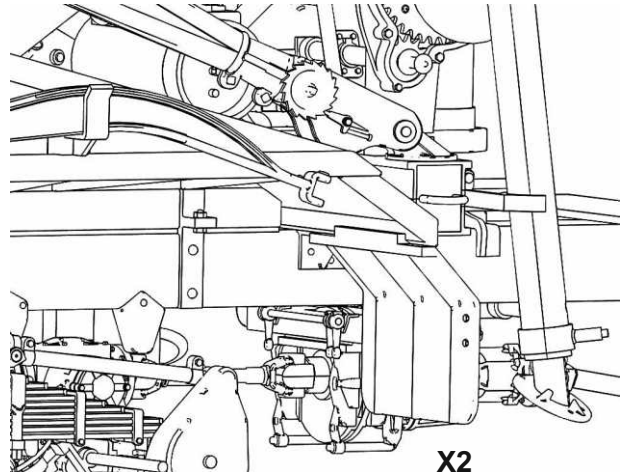
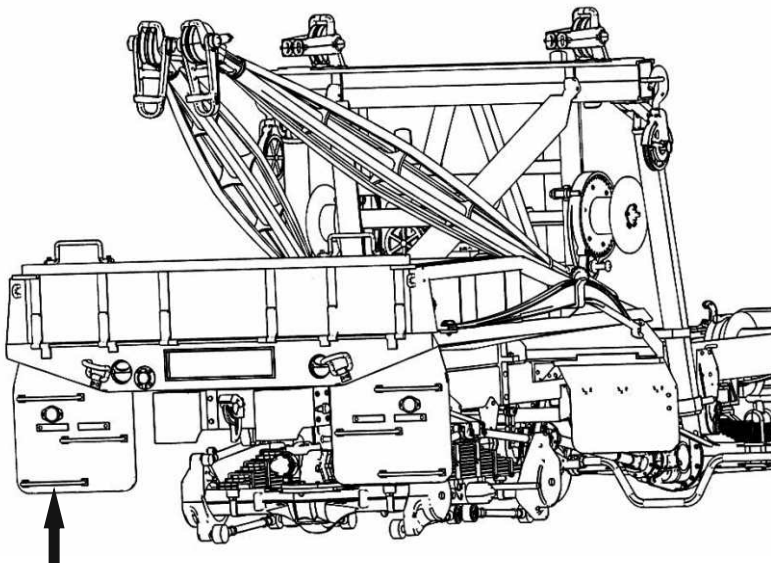
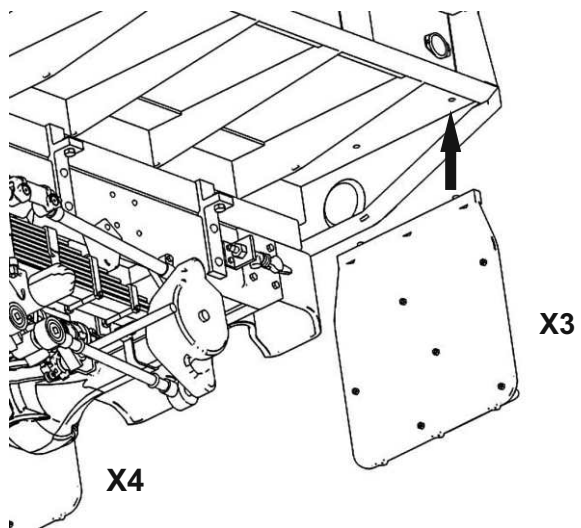
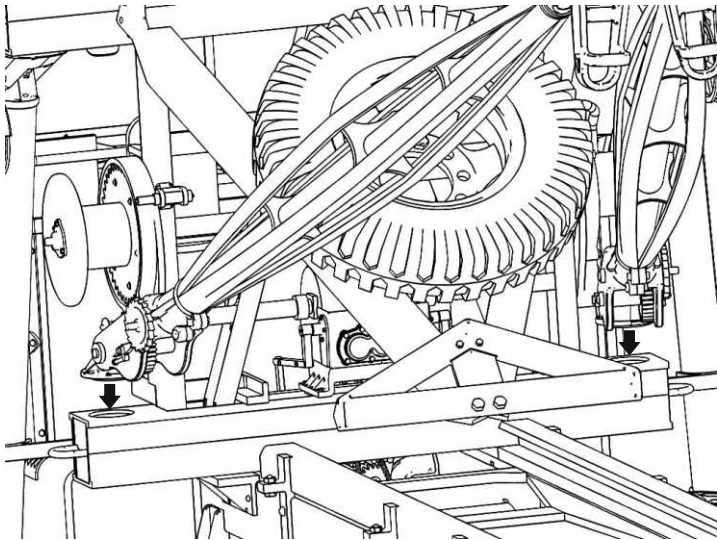


“NN”

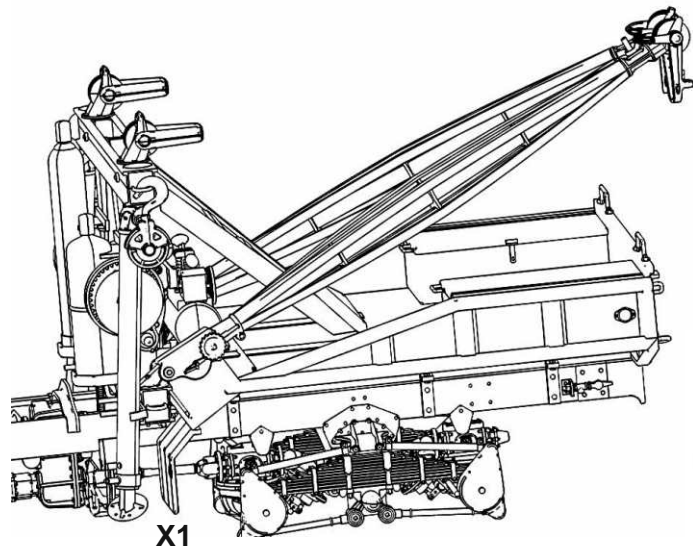
Right arm



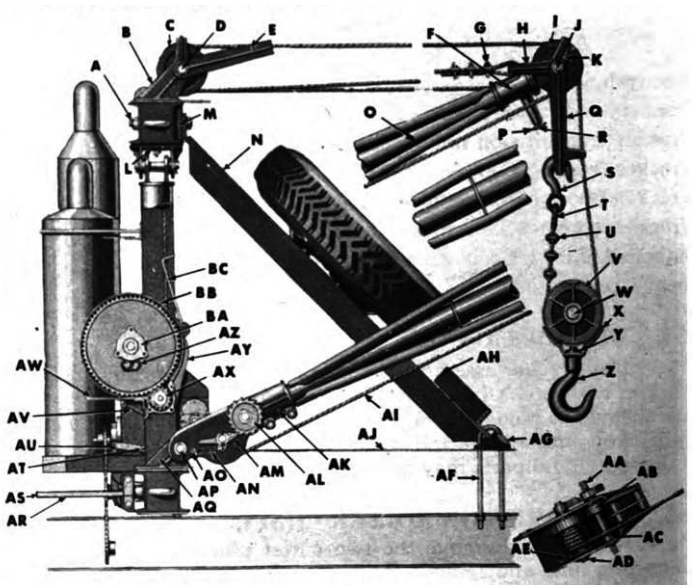
X45



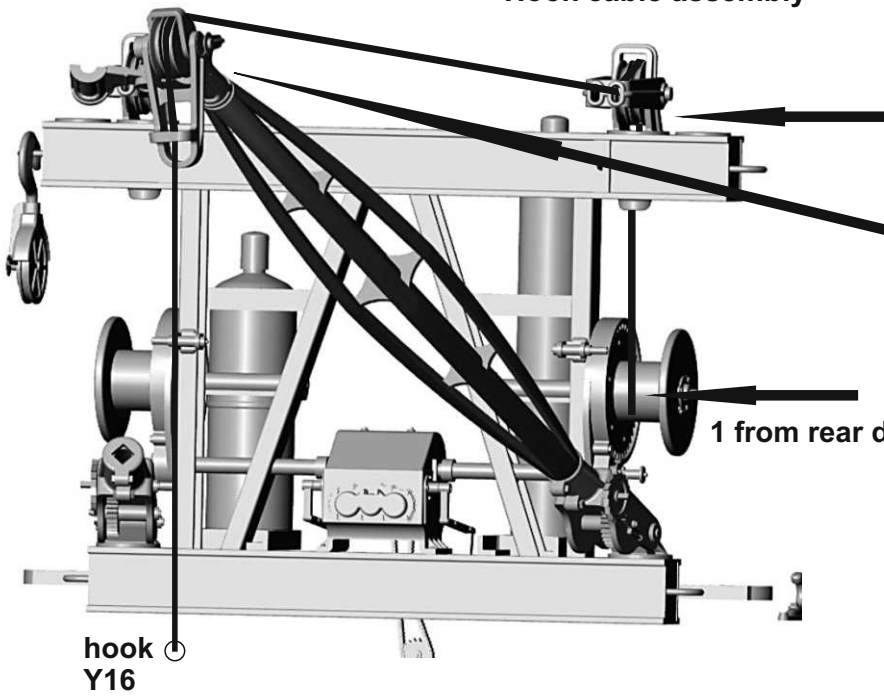
0,3MM wire for handles



Assemble all wheels at the end



Hook cable assembly



2 through opening in horizontal beam over outer sheave wheel and through the outer yoke

3 over outer sheave wheel and through end cable guide

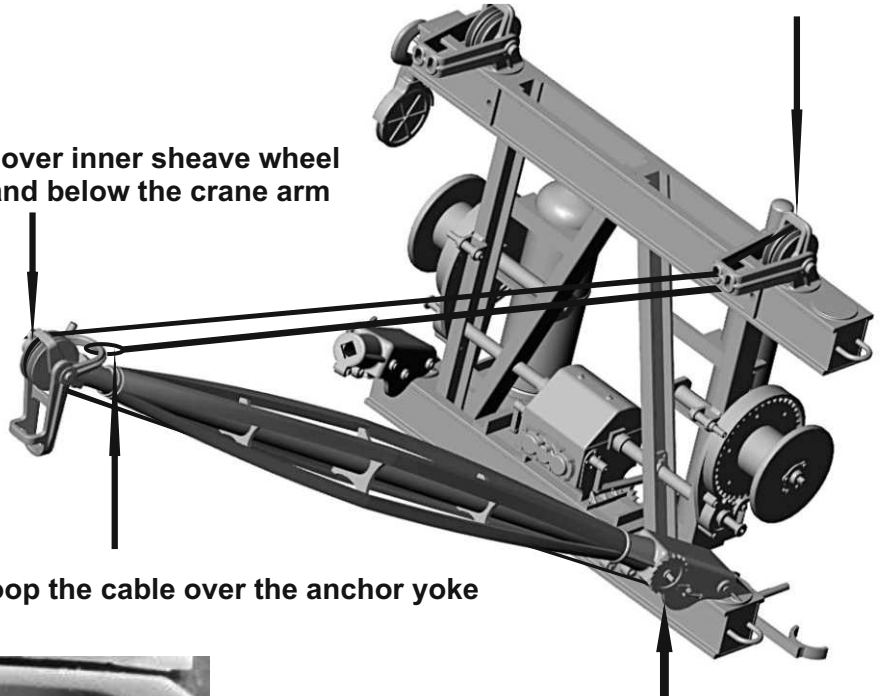
1 from rear drum

hook
Y16

2 lead the cable below cable guide, and from bottom over inner sheave wheel and through inner yoke

3 lead the cable over inner sheave wheel from top down and below the crane arm to the front

Boom cable assembly



1 loop the cable over the anchor yoke

4 instal the end of cable around rod of Y37 inside "MM" (boom drum)



Painting - olive drab in US Army service

Markings - see dashboard above, vehicle marking example on the box cover, decal sheet includes this and another set of numbers for second option

Additional detailing set to replace and upgrade plastic kit parts, and vacuum formed canvas will be available soon at www.LZmodels.com

If you have experienced missing or damaged part, contact us directly for replacement at info@mirror-models.com