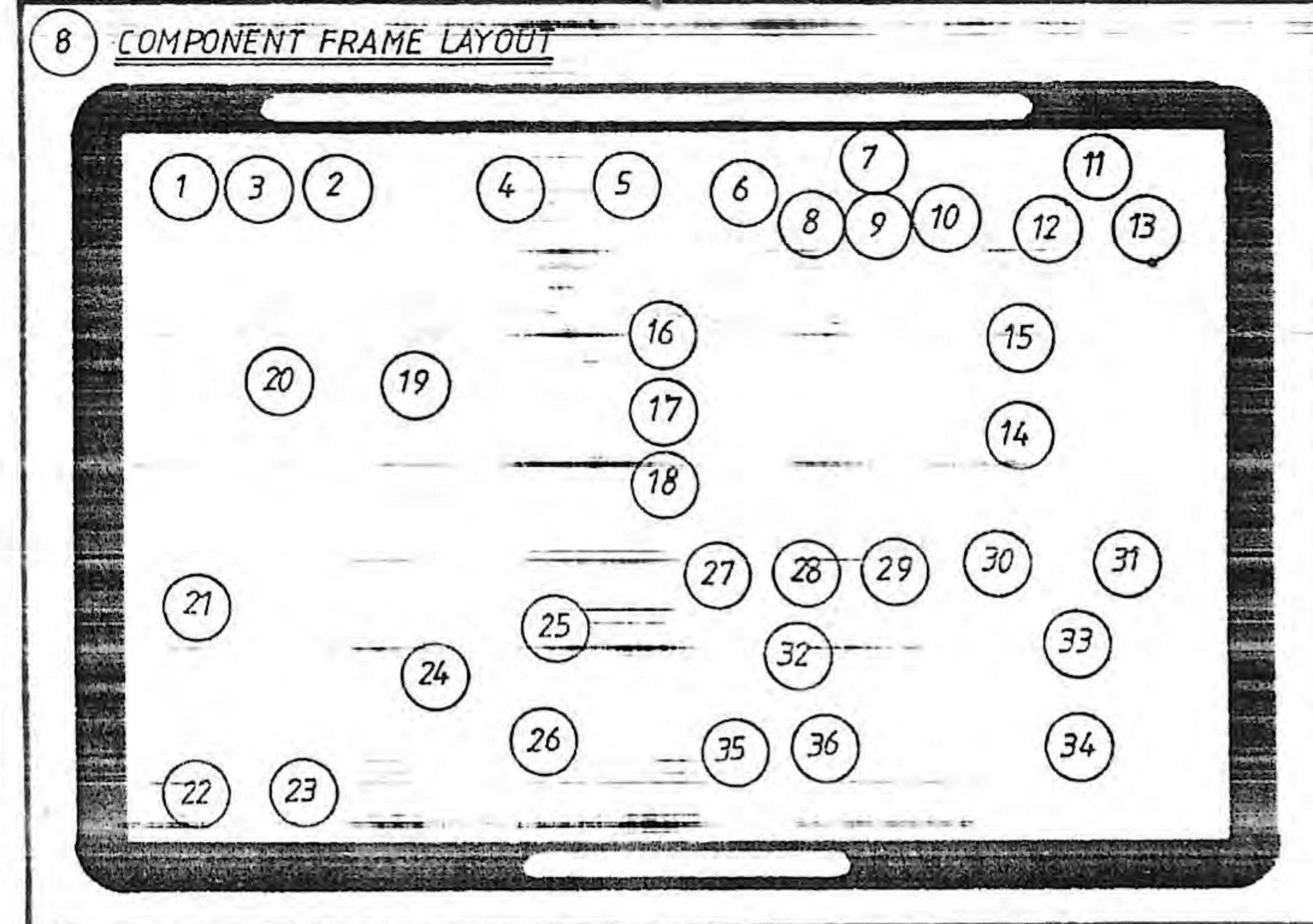
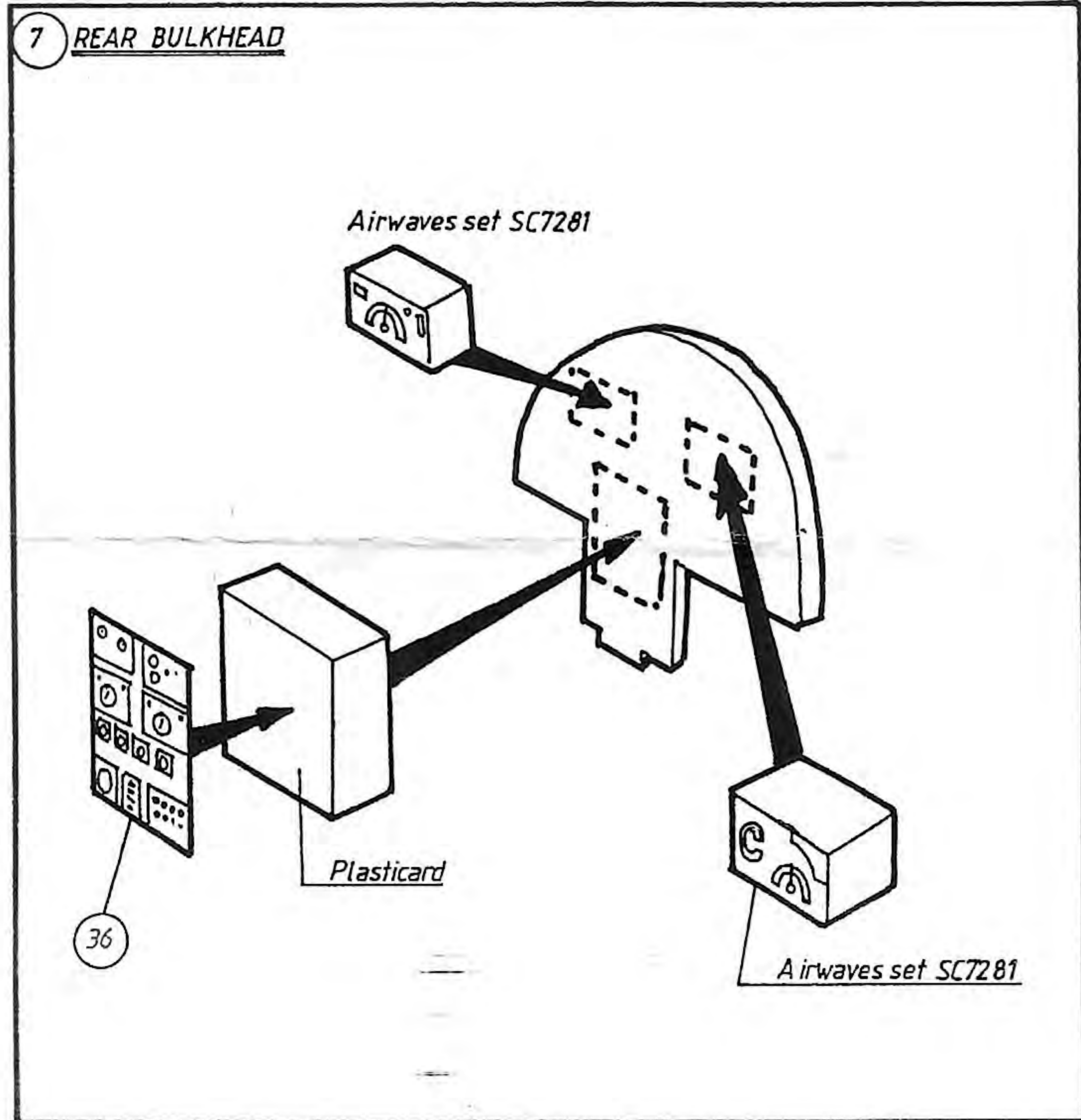
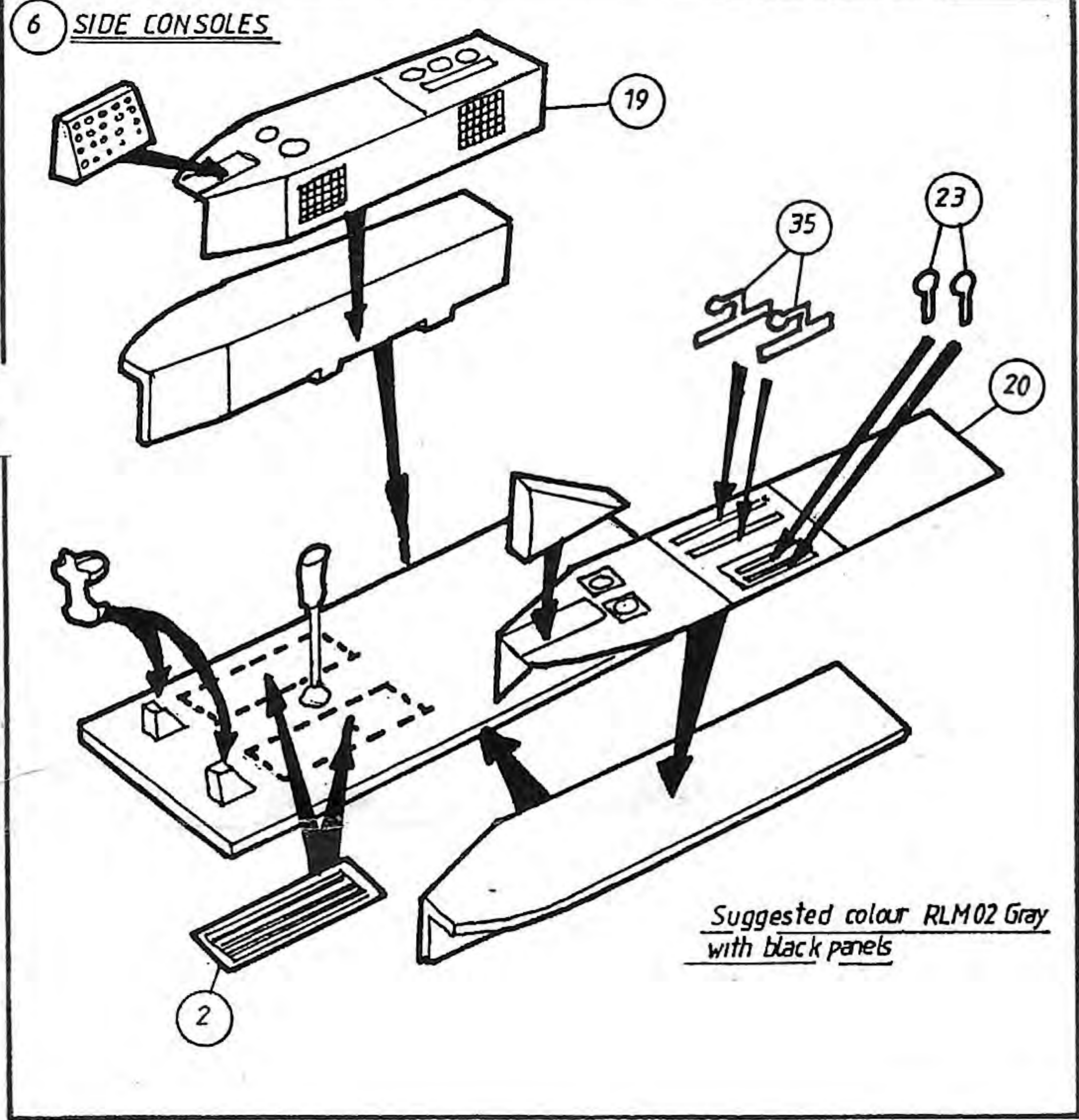
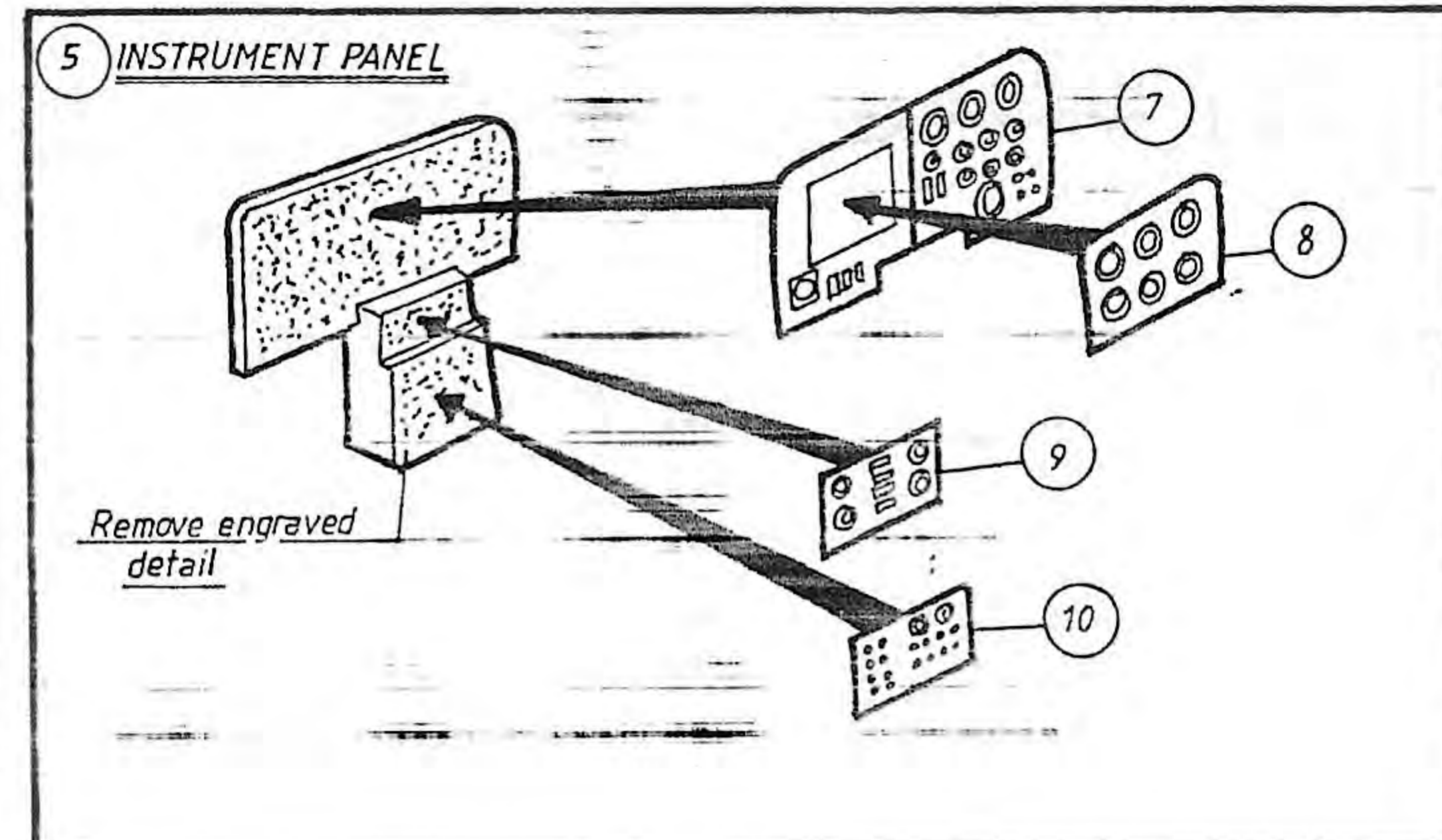
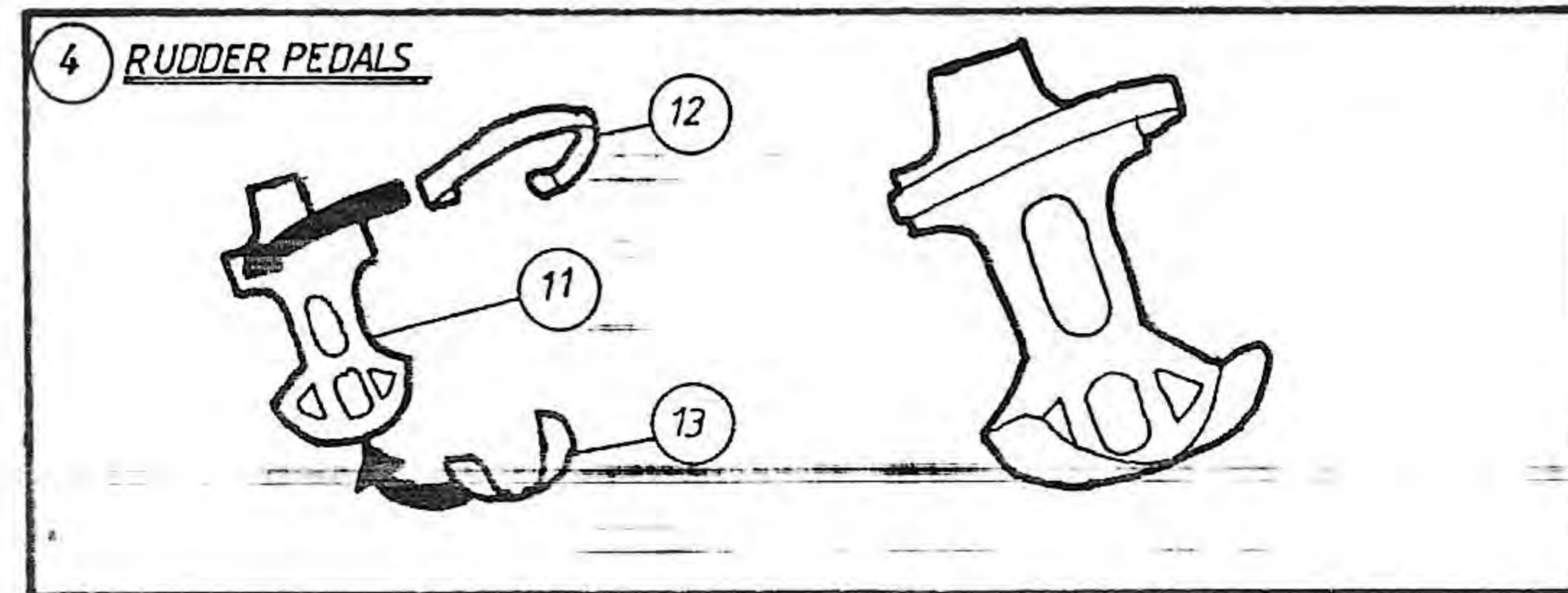
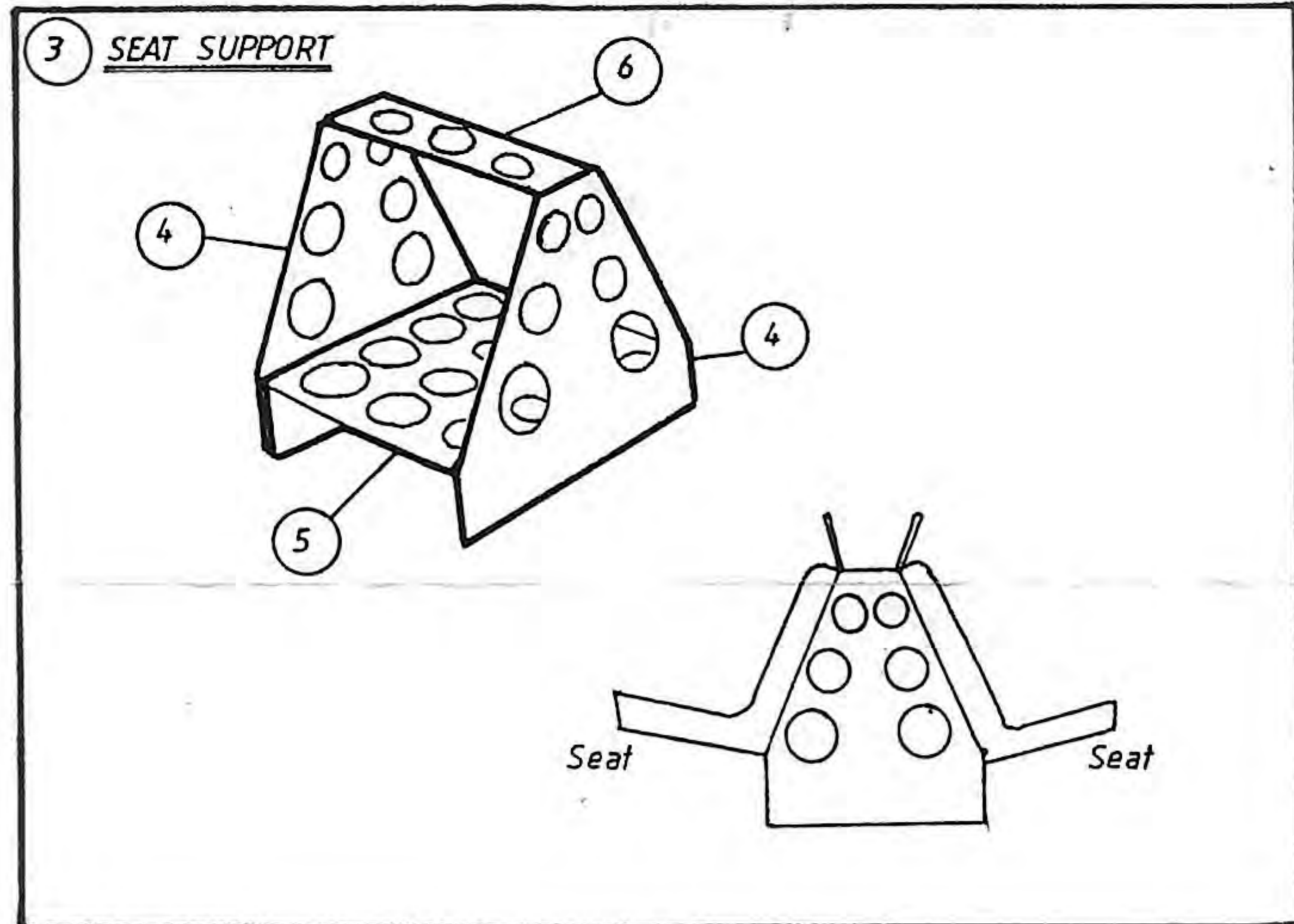
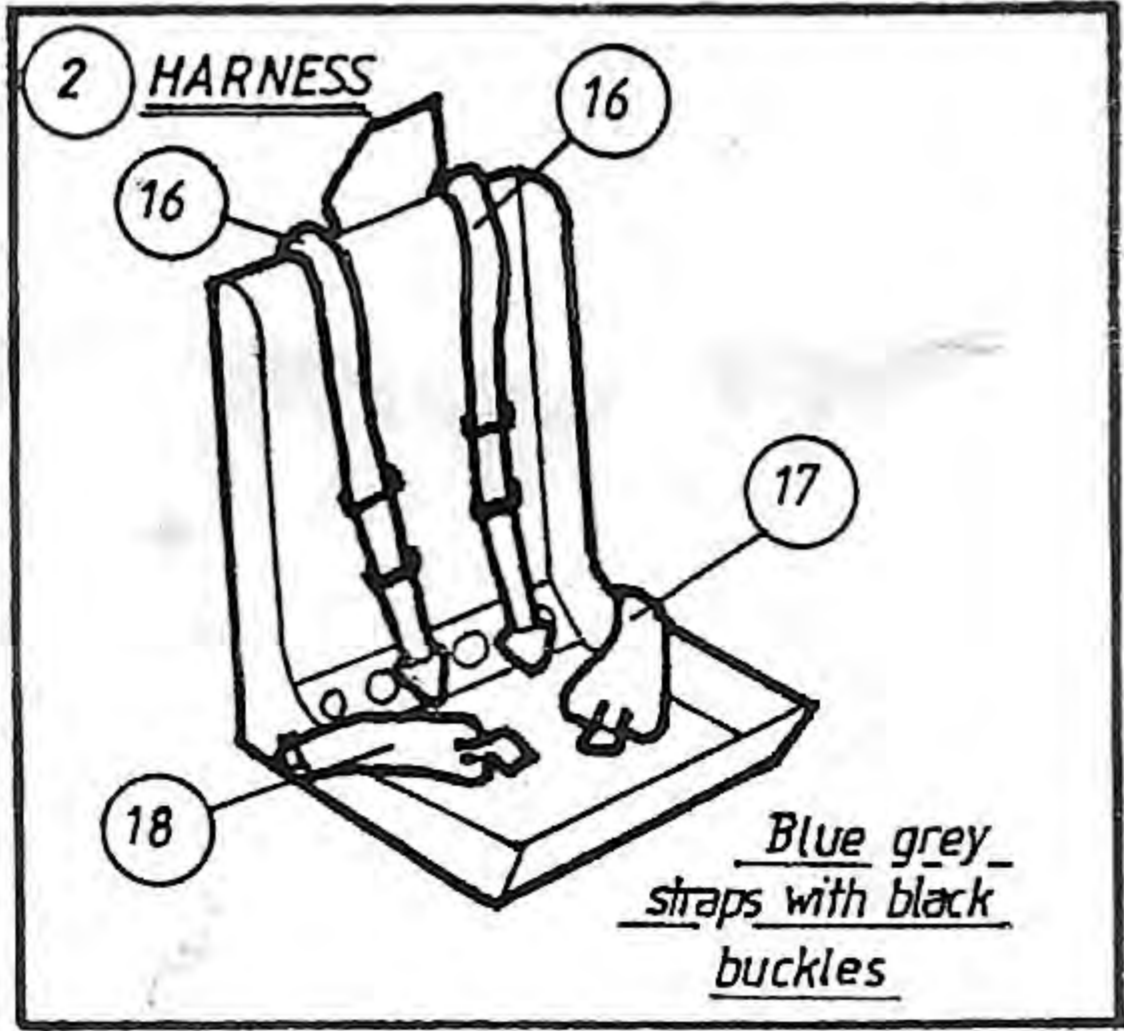
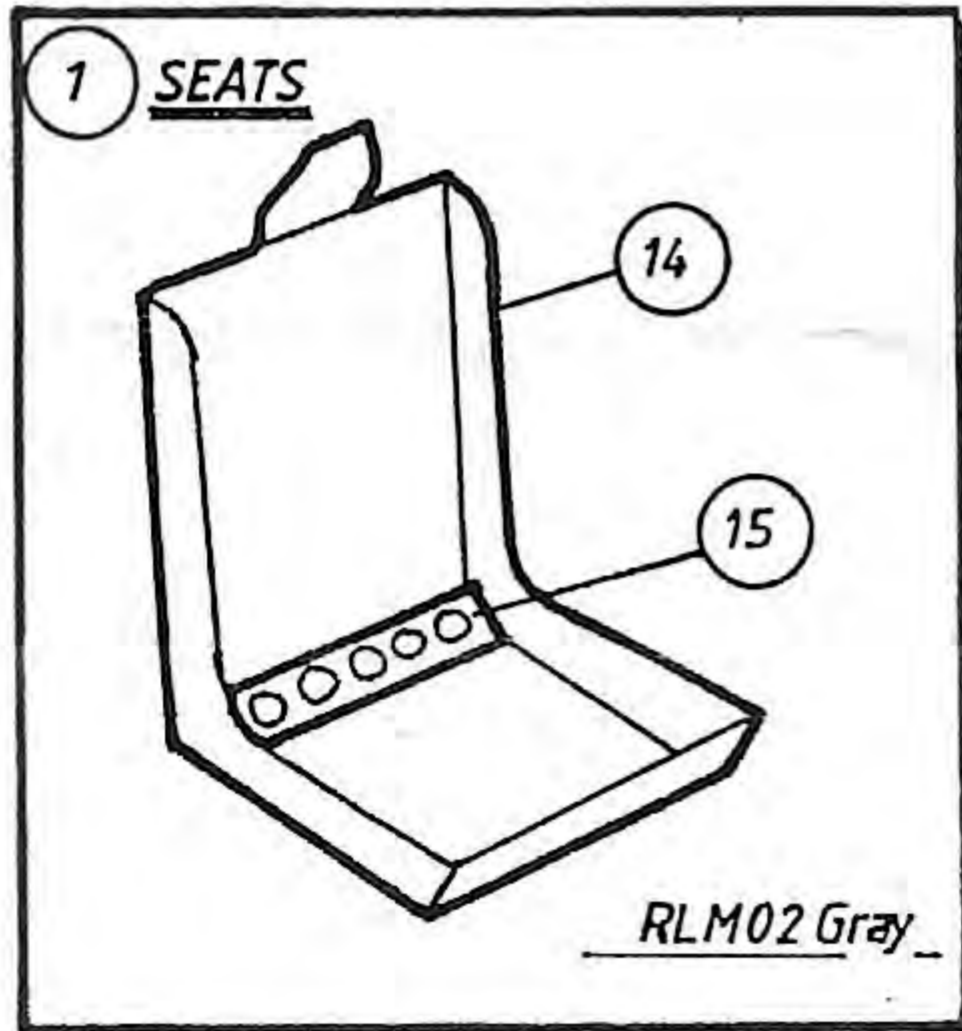


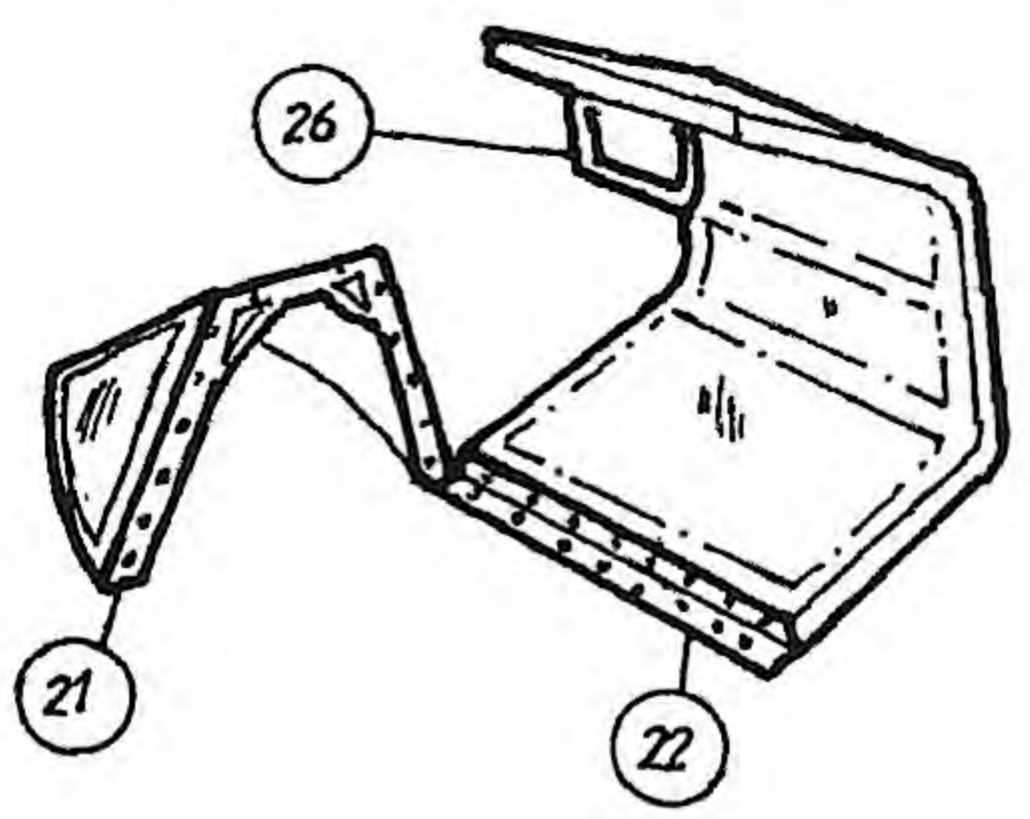
This detail set is manufactured from photo etched brass sheet and is for use on the Revell model kit.
 Prior to using fret wash in liquid detergent and rinse in clean water to deflux and clean parts.
 To separate parts support fret on a firm surface such as a ceramic tile and cut as near to the part as possible using a new sharp blade. Tag scars can be cleaned by holding part in pliers and using a fine file. To fold part, support evenly up to line of fold and fold in one go using a blade for leverage.
 For assembly of parts use superglue or five minute epoxy. Prior to painting, prime parts using matt enamel or self etching primer. Position of parts in diagrams is for guidance only for final position and colour consult reference material details of which are elsewhere on this sheet.
 H G Hannants Ltd Harbour Road, Oulton Broad, Lowestoft, Suffolk, NR32 3LZ, England. Tel 01502 517444, Fax 01502 500521

Note that only the best materials are used in the manufacture of Airwaves sets and that any waste is safely disposed of protecting the environment.

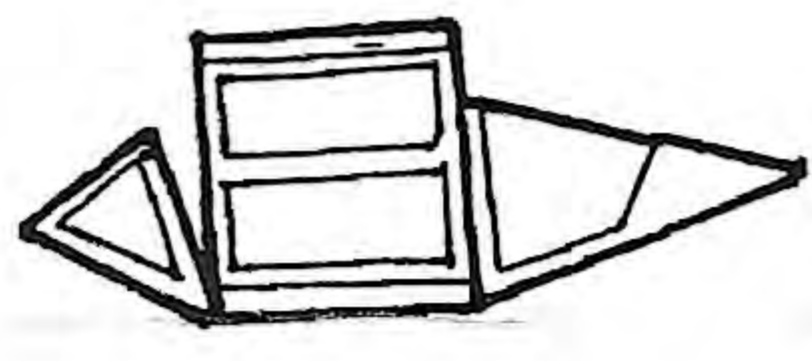
For further helpful hints to using etched brass and for full details of the extensive Airwaves range including tools and templates get a copy of the latest Airwaves illustrated catalogue.



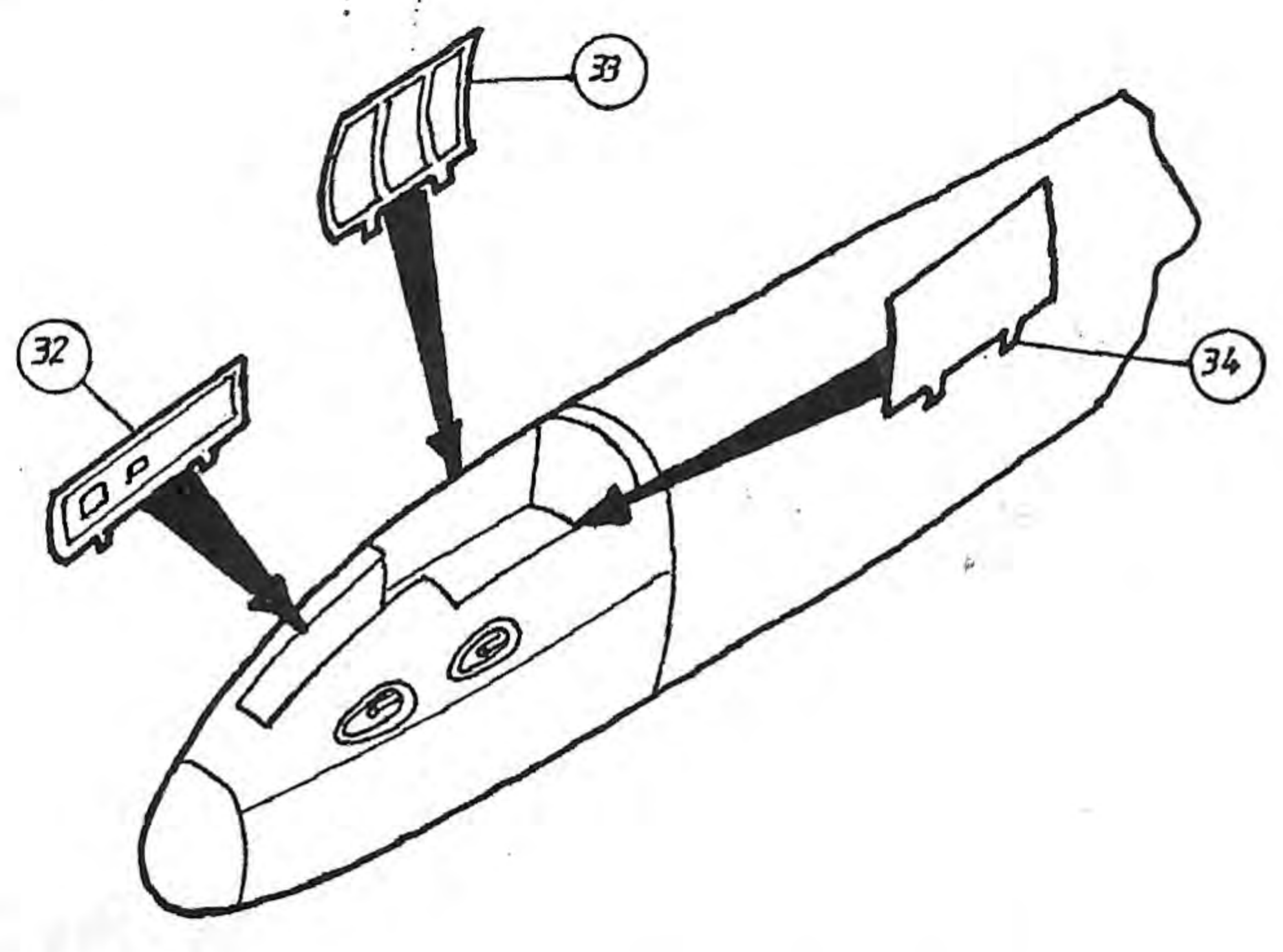
9 CANOPY



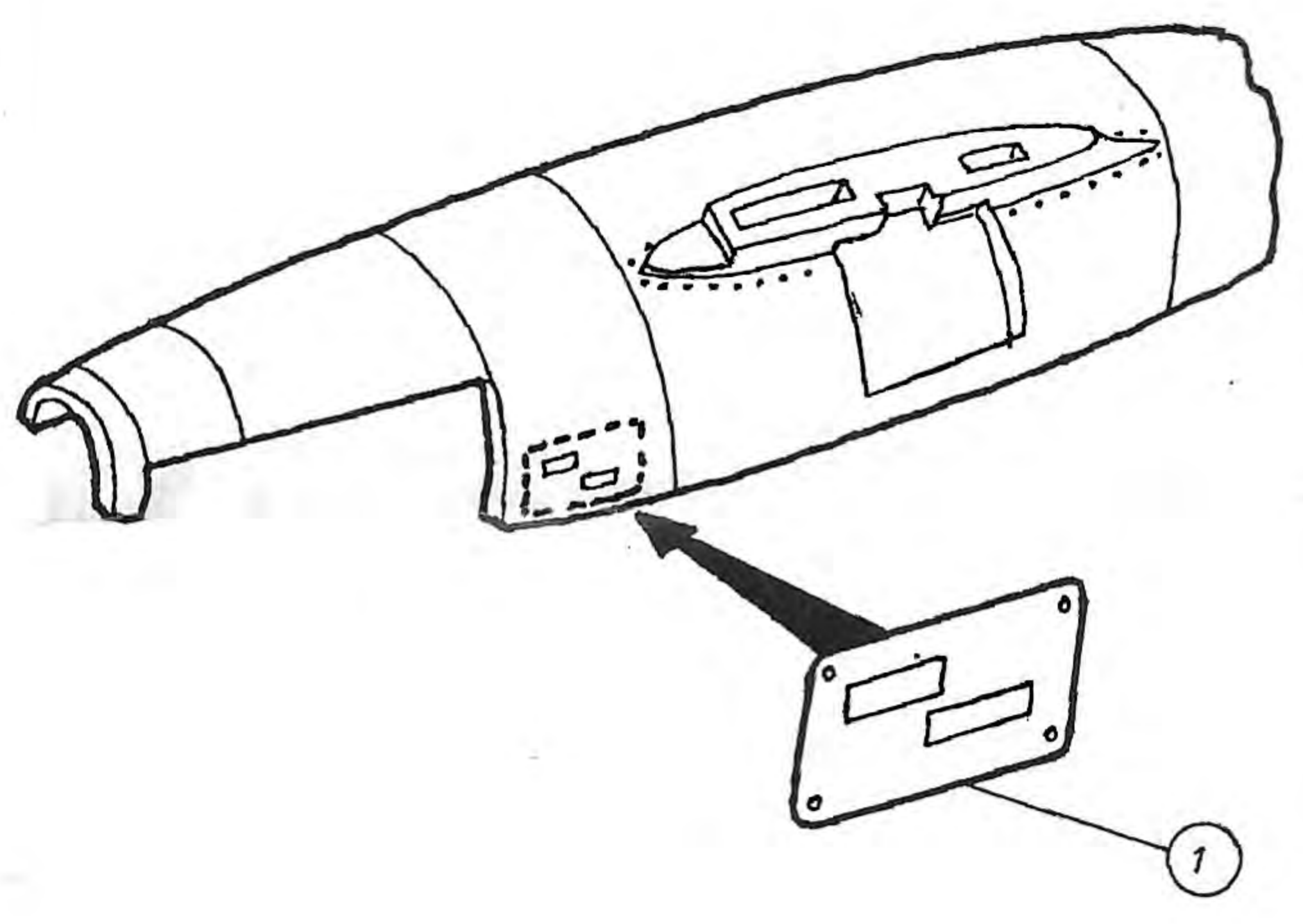
Carefully cut open canopy as shown



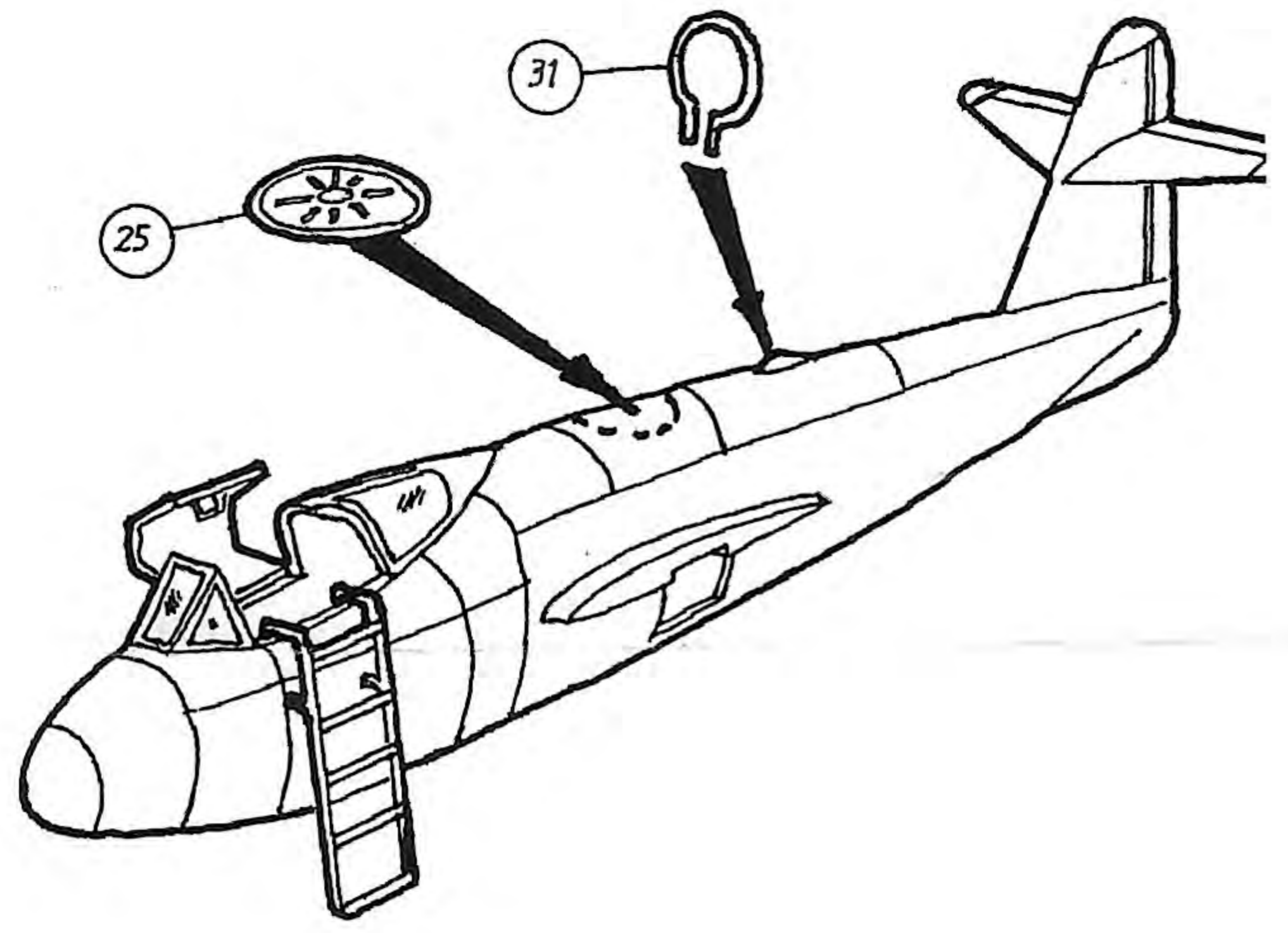
12 NOSE UNDERCARRIAGE DOORS



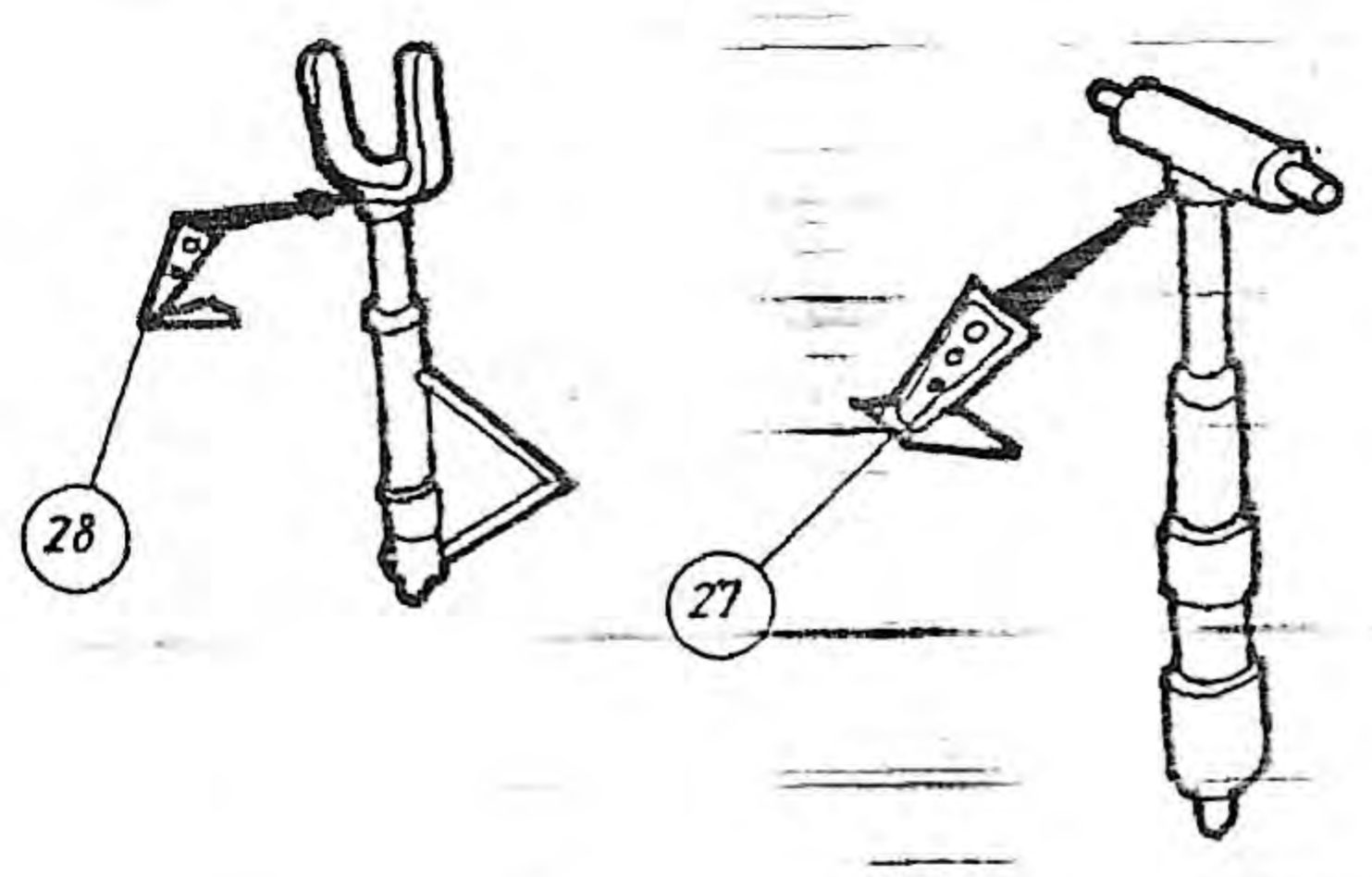
10 GUN PORTS



13 AERIALS



11 TORQUE LINKS



14 BOARDING LADDER

See above for ladder position

