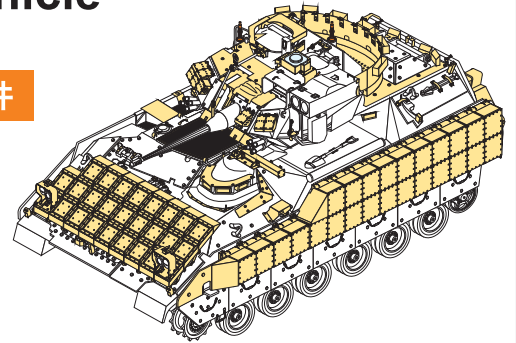


1/35 MILITARY MINIATURE VEHICLE UPGRADE SERIES PE35470

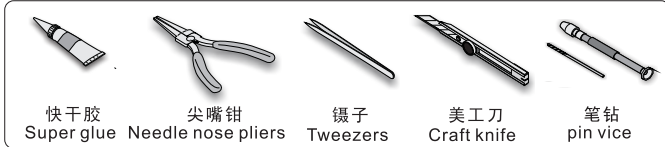
Modern US M2A3 Infantry Fighting Vehicle w/ERA Basic

现代美军M2A3 布雷德利 带反应装甲步兵战车基本改造件

[For TAMIYA 35264]



■ 推荐使用工具 RECOMMENDED TOOLS



快干胶 Super glue 尖嘴钳 Needle nose pliers 镊子 Tweezers 美工刀 Craft knife 笔钻 pin vice

- ↑
安装
install
- ↩
折叠
bend
- A1**
改造件零件编号
PE/resin part number
- B12**
原零件编号
kit part number
- C22**
被替换的原零件编号
replaced kit part number
- ↔
另一侧相同制作
repeat on opposite side

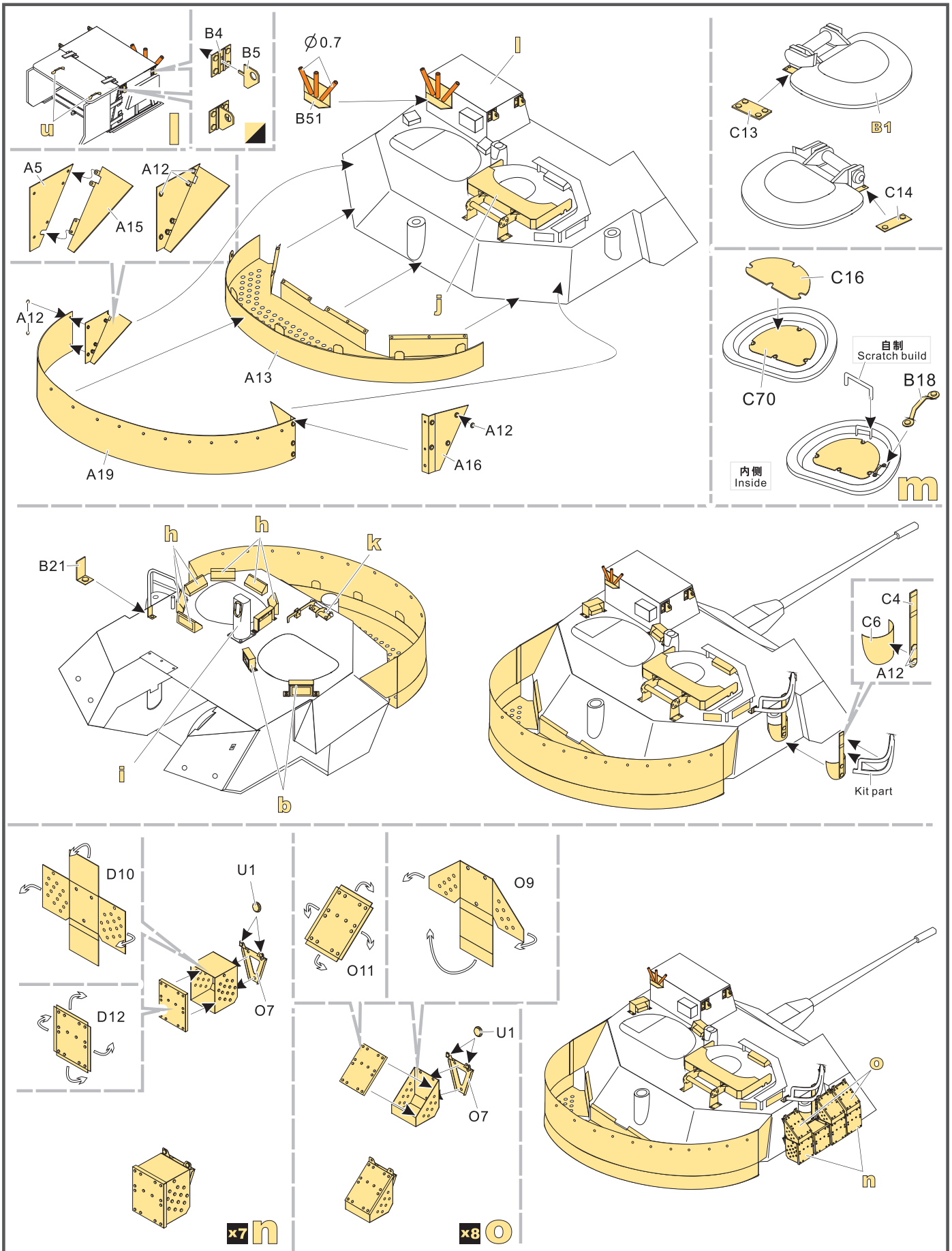
- ✂
切除
remove
- 🔪
打磨
grind off
- 🌀
弧度卷曲
radial bending
- x2
制作若干组
multiple assembly
- ↔
选择安装
alternative
- 🔧
钻孔
drill
- 👉
填补
fill

↓
用尖端在凹槽处冲压
use penpoint to press on the dent

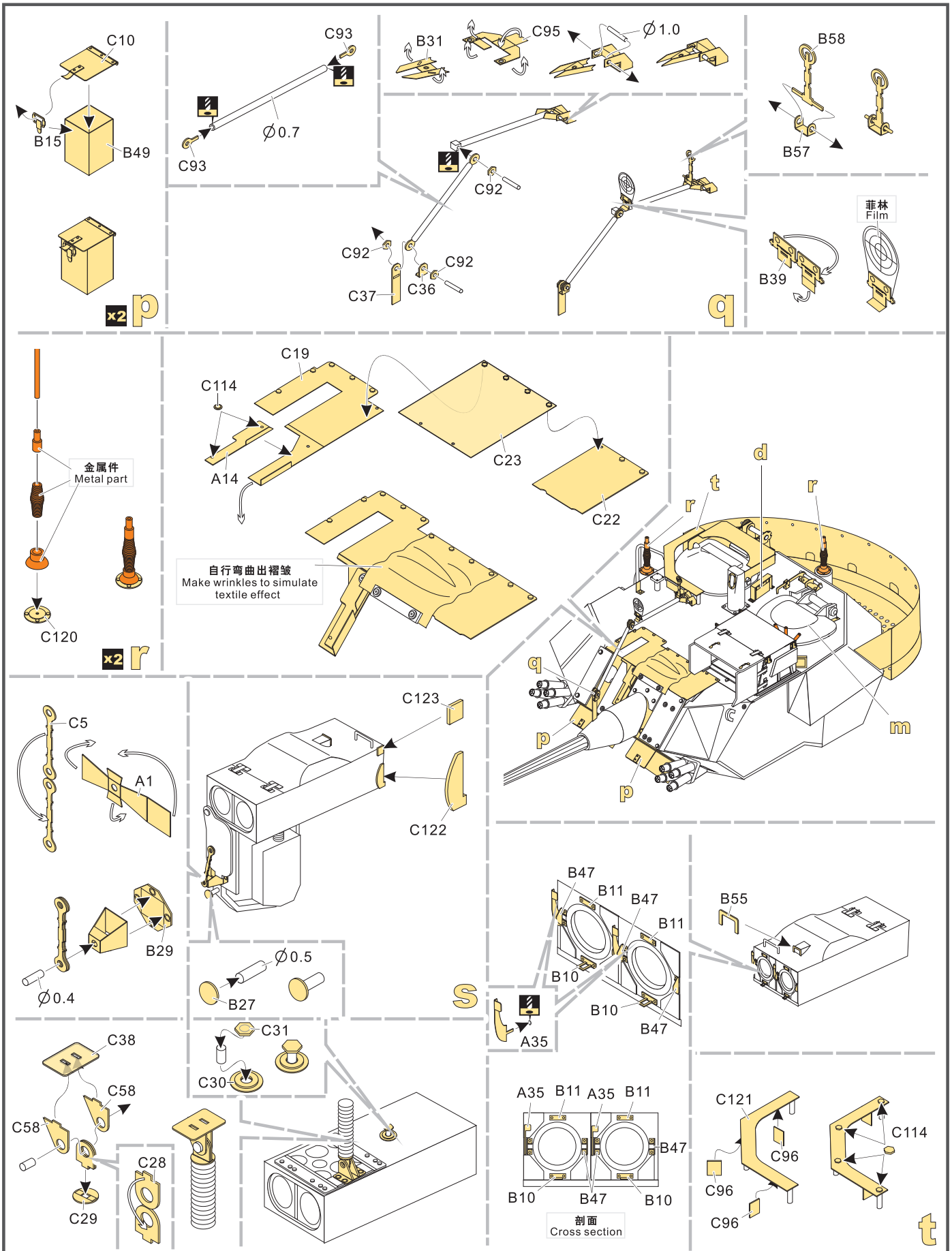
蚀刻片零件内侧面向上
Put the part upside down

用笔尖在凹槽处刺
Use penpoint to press on the dent

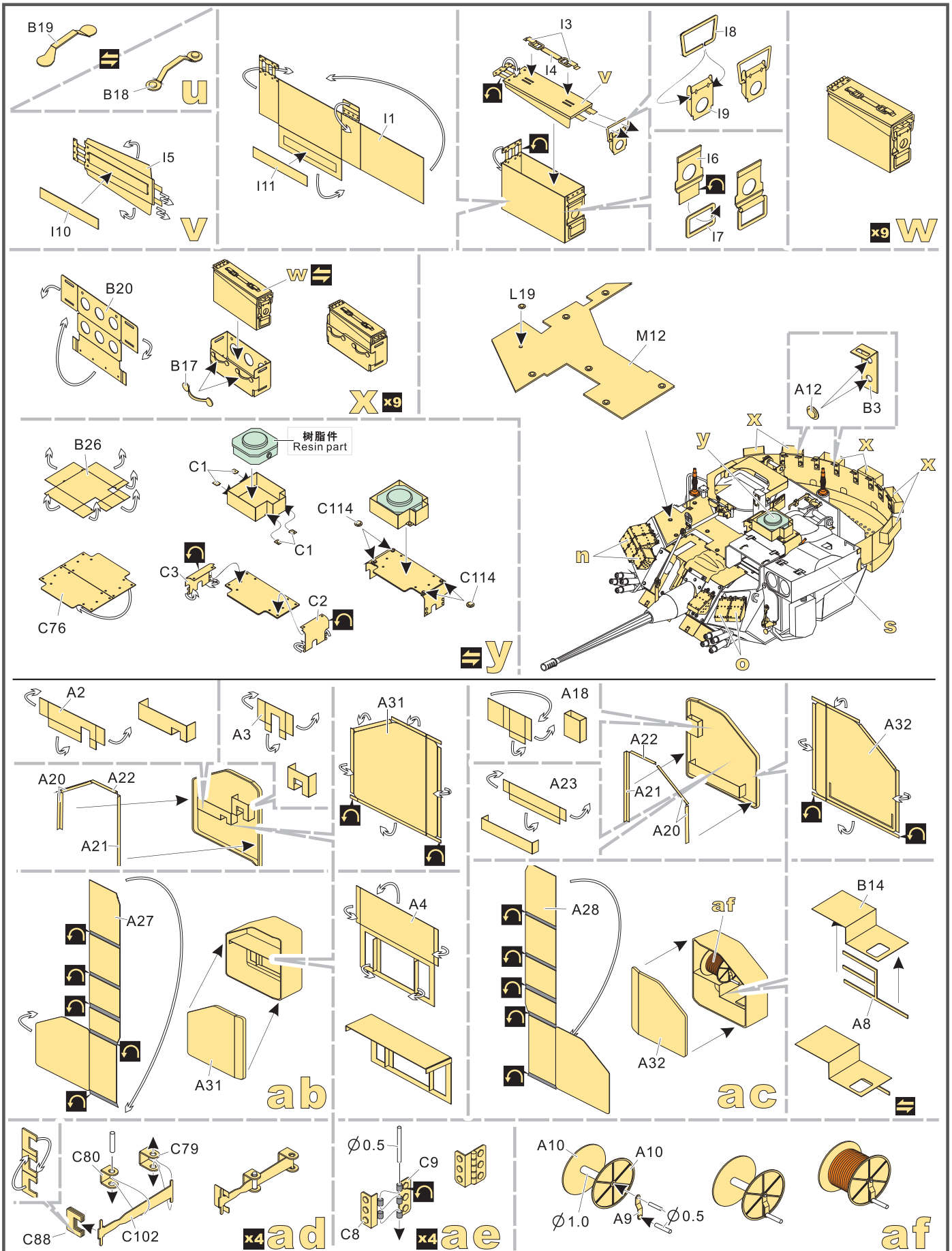
1/35 MILITARY MINIATURE VEHICLE UPGRADE SERIES PE35470



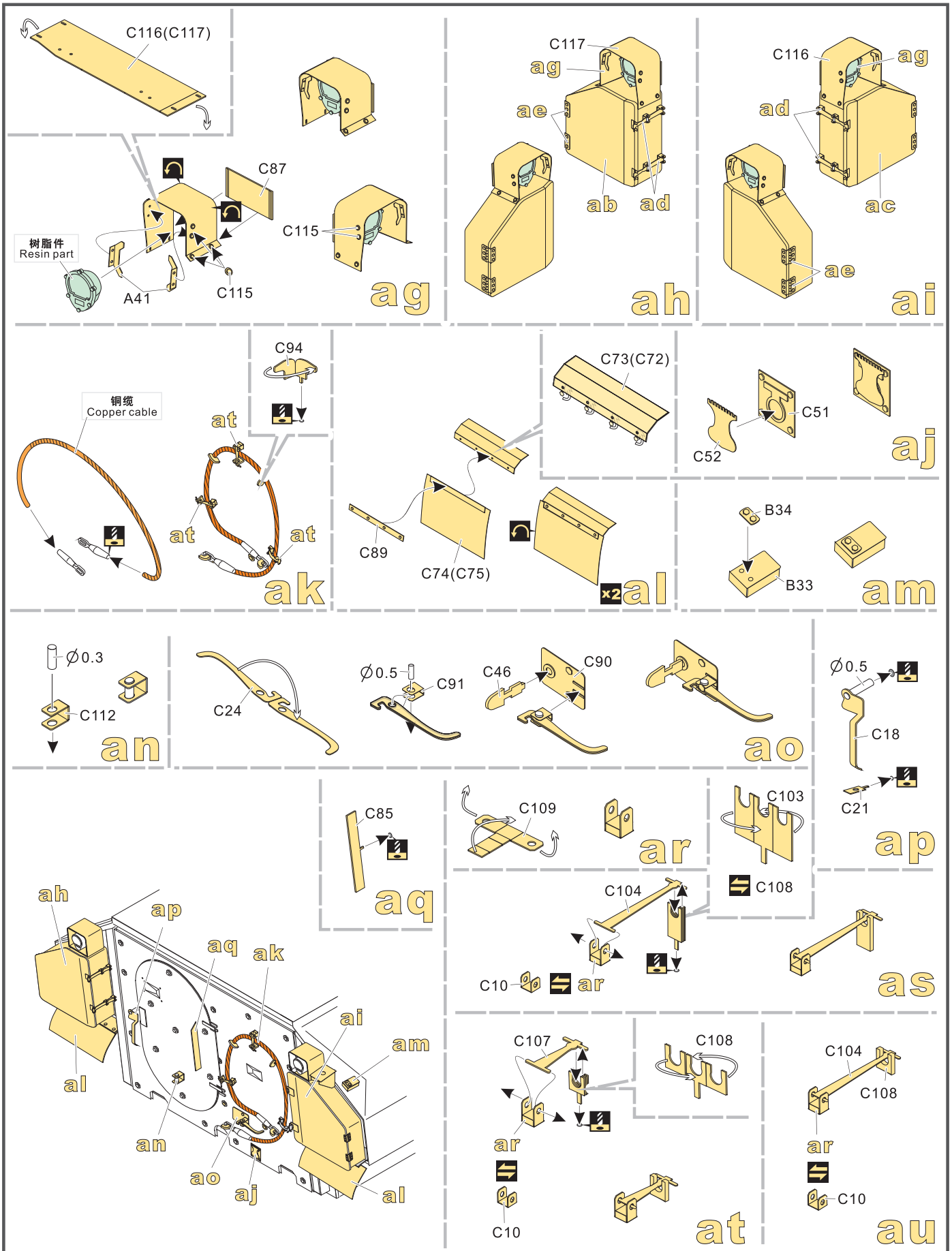
1/35 MILITARY MINIATURE VEHICLE UPGRADE SERIES PE35470

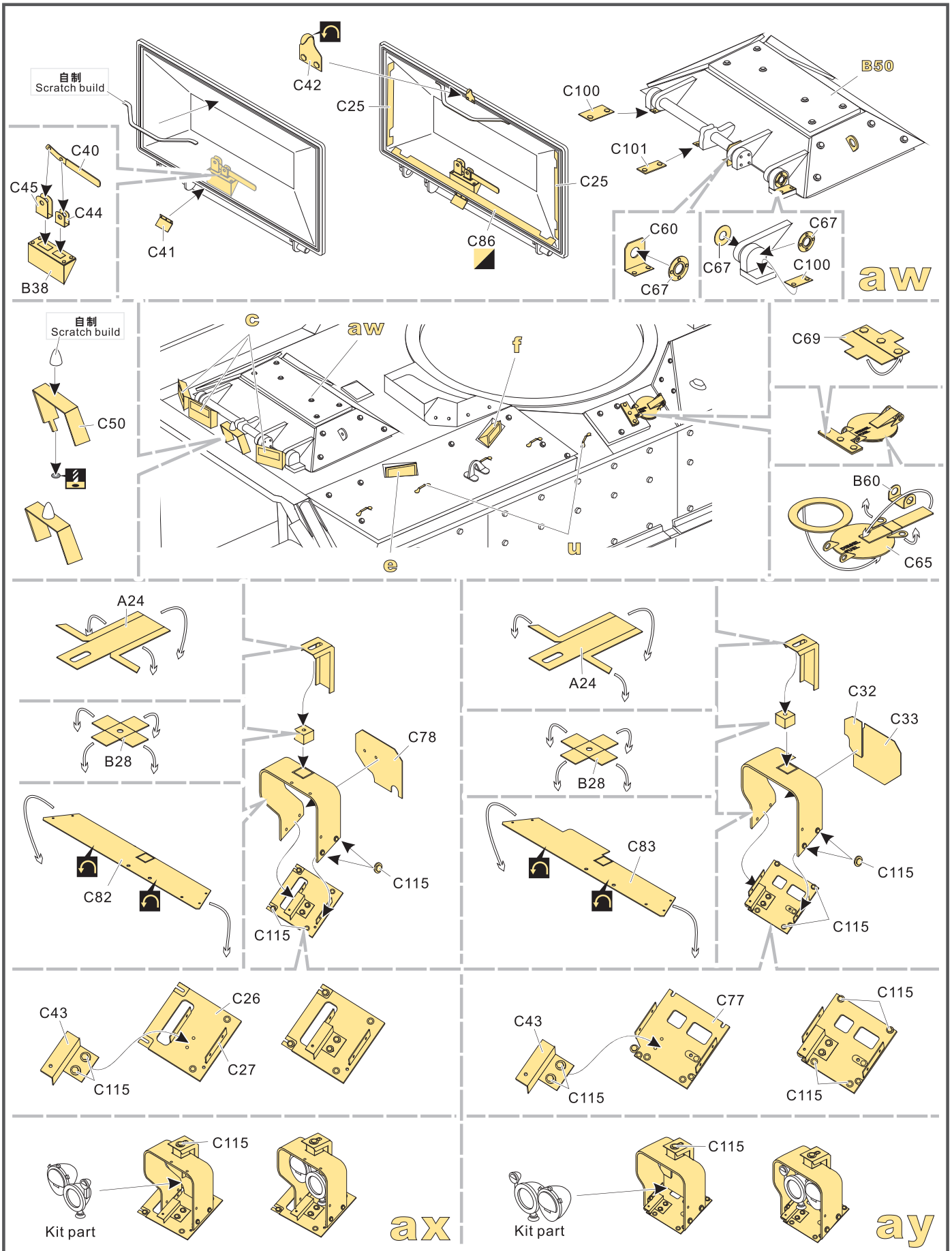


1/35 MILITARY MINIATURE VEHICLE UPGRADE SERIES PE35470

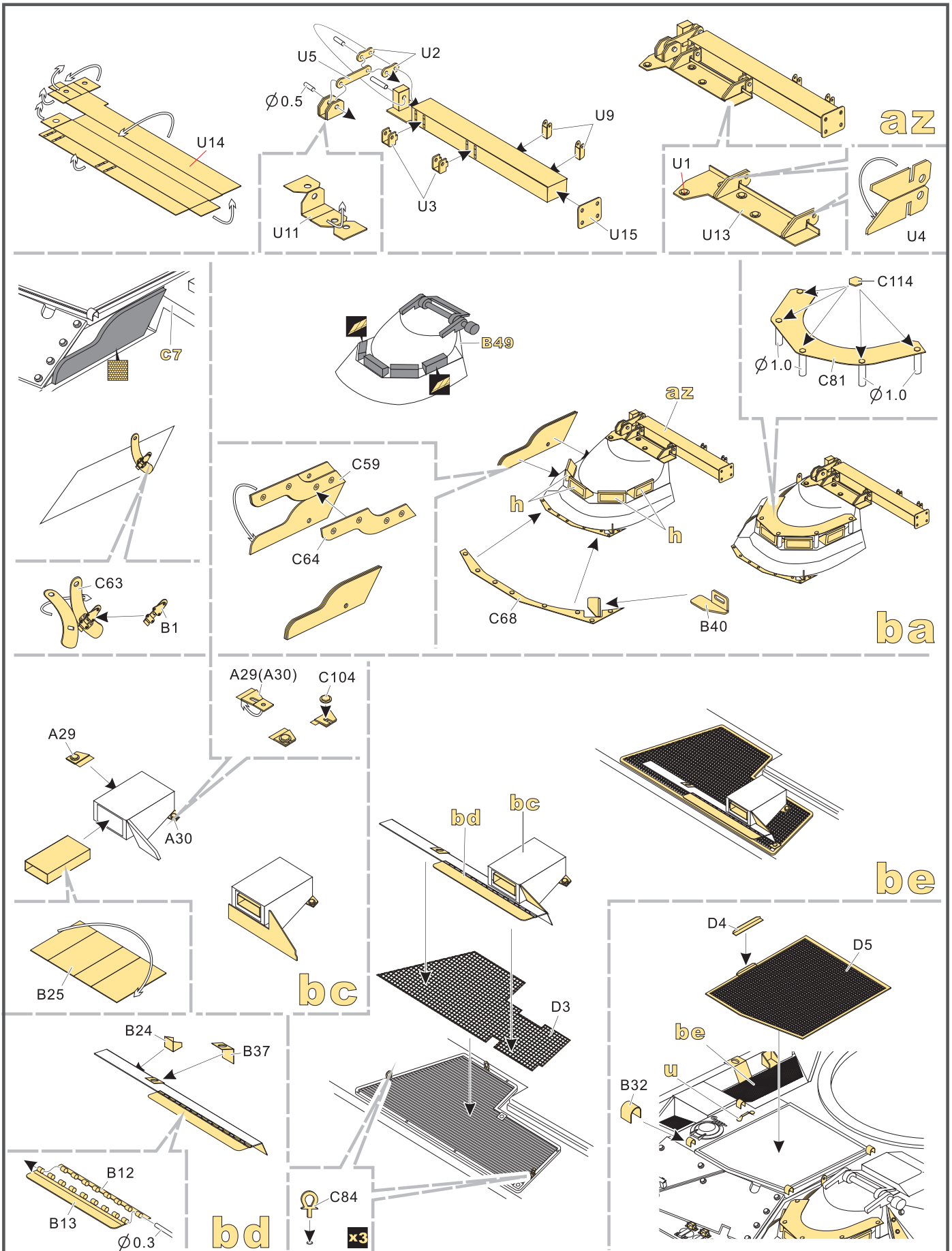


1/35 MILITARY MINIATURE VEHICLE UPGRADE SERIES PE35470

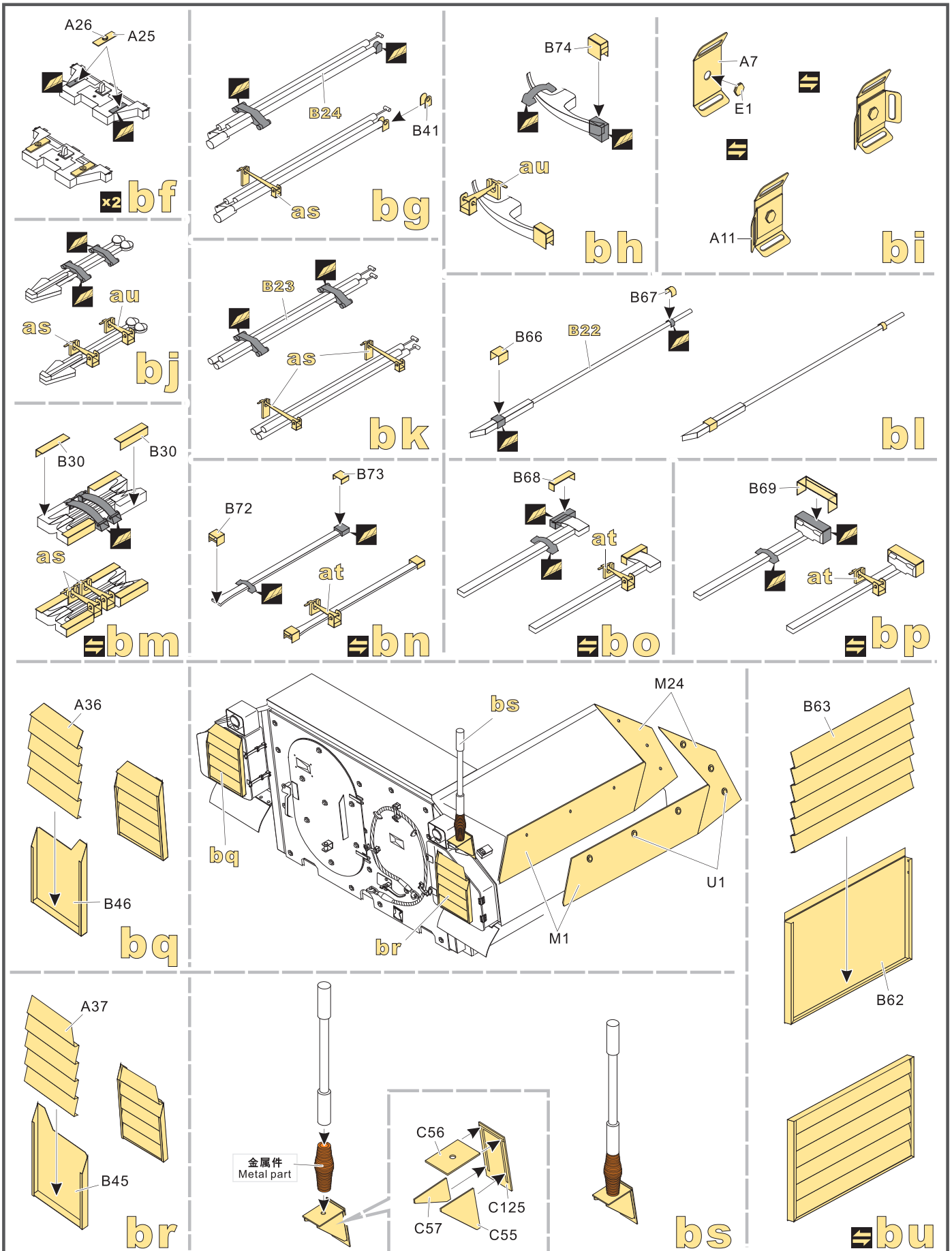




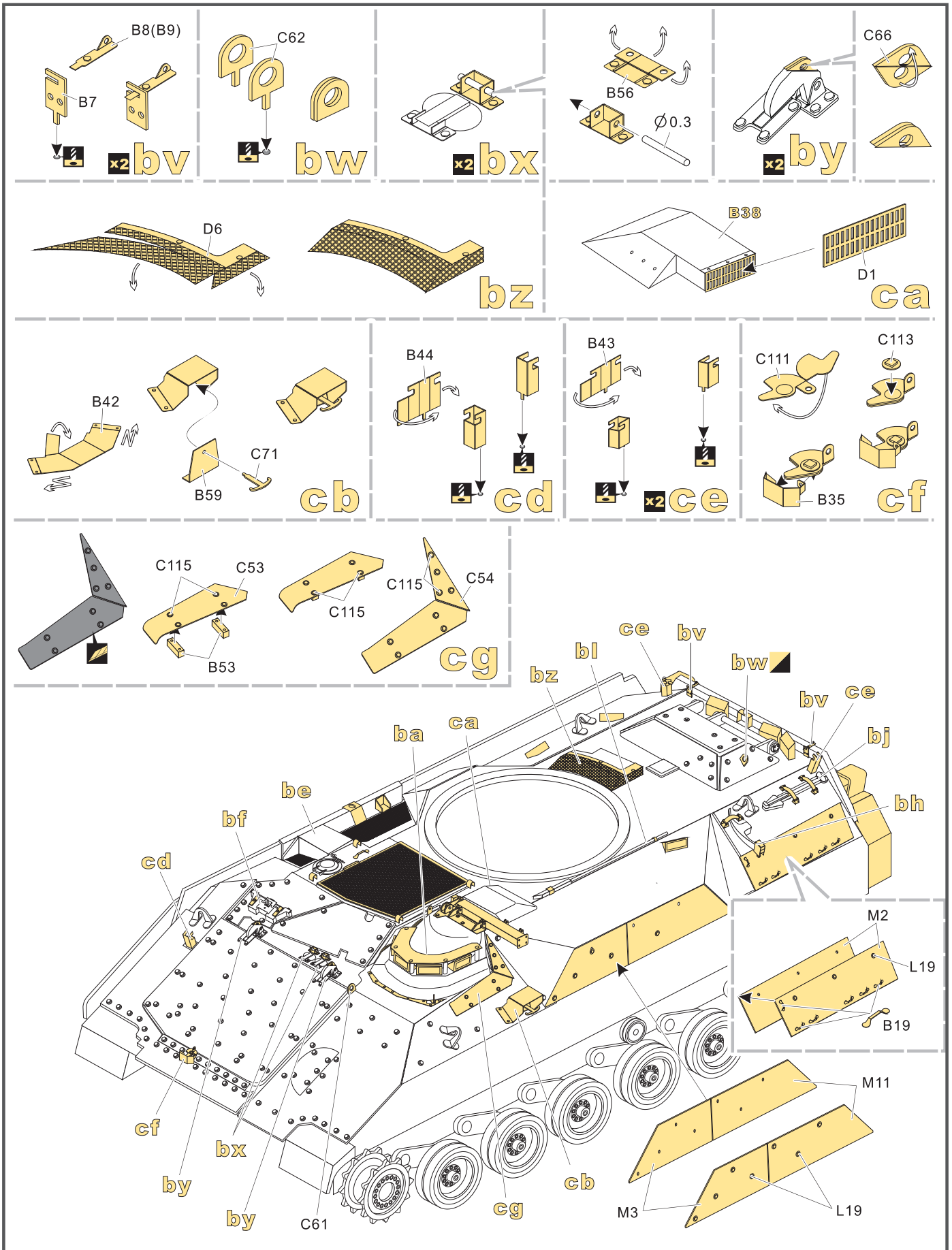
1/35 MILITARY MINIATURE VEHICLE UPGRADE SERIES PE35470



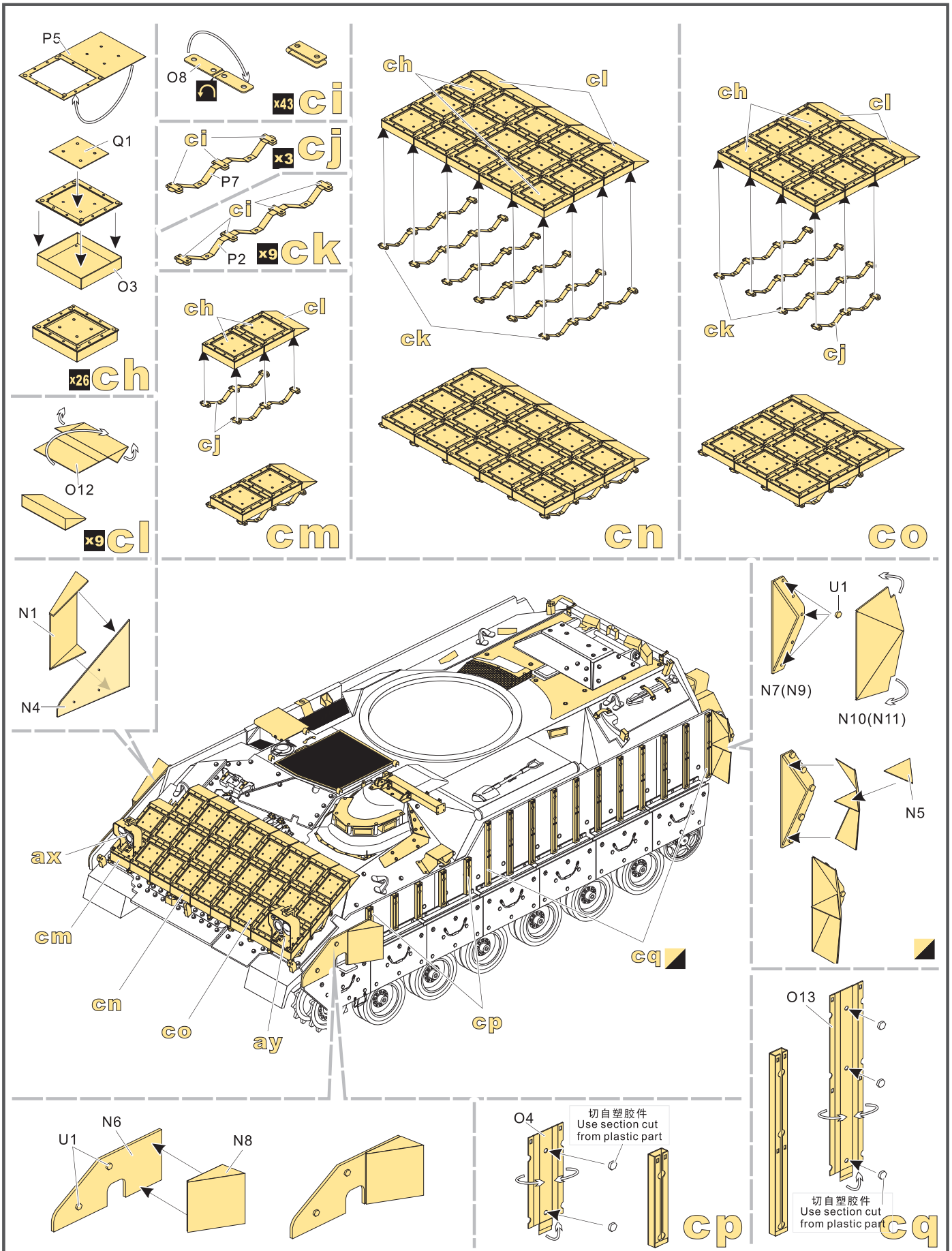
1/35 MILITARY MINIATURE VEHICLE UPGRADE SERIES PE35470



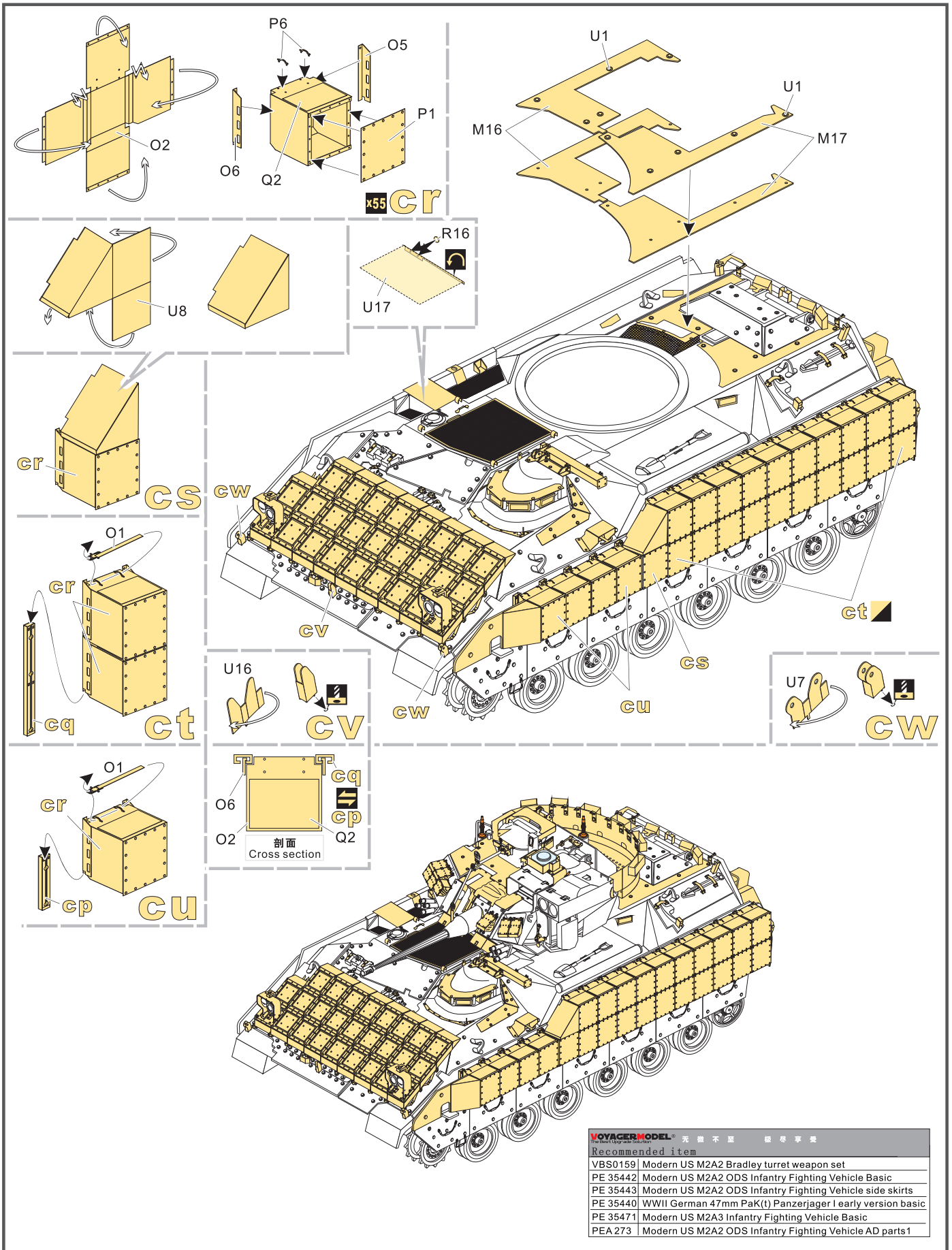
1/35 MILITARY MINIATURE VEHICLE UPGRADE SERIES PE35470



1/35 MILITARY MINIATURE VEHICLE UPGRADE SERIES PE35470



1/35 MILITARY MINIATURE VEHICLE UPGRADE SERIES PE35470



VOYAGERMODEL [®] 沃雅 [®] 模型升级	
Recommended item	
VBS0159	Modern US M2A2 Bradley turret weapon set
PE 35442	Modern US M2A2 ODS Infantry Fighting Vehicle Basic
PE 35443	Modern US M2A2 ODS Infantry Fighting Vehicle side skirts
PE 35440	WWII German 47mm PaK(t) Panzerjäger I early version basic
PE 35471	Modern US M2A3 Infantry Fighting Vehicle Basic
PEA 273	Modern US M2A2 ODS Infantry Fighting Vehicle AD parts 1