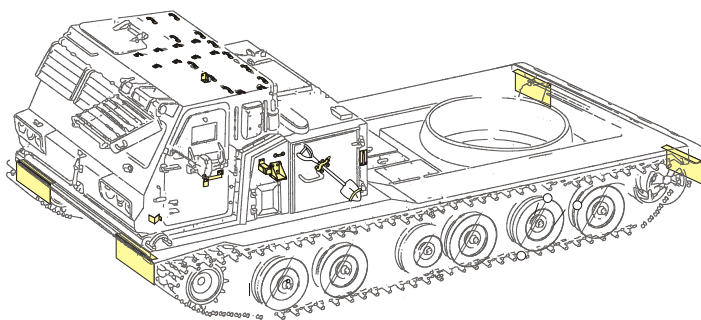


1/35 MILITARY MINIATURE VEHICLE UPGRADE SERIES PE35006

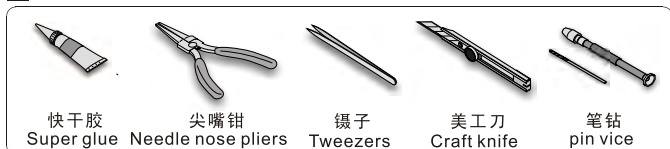
Modern US M270 MLRS

现代美军MLRS火箭炮改造件


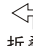







[For DRAGON 3522 3523]



推荐使用工具 RECOMMENDED TOOLS



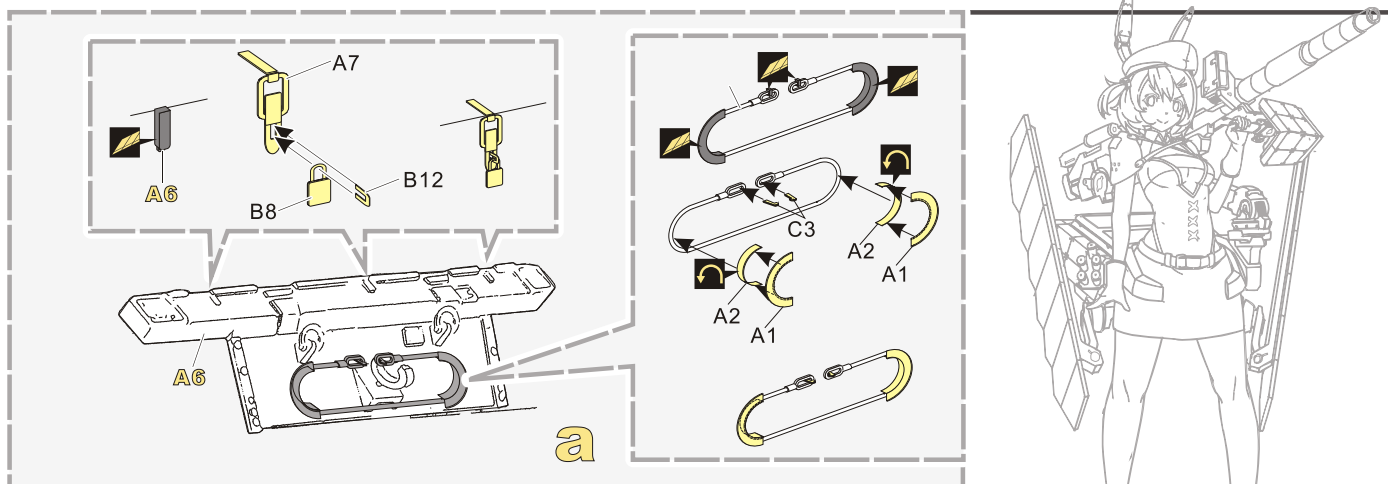
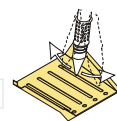
快干胶 Super glue 尖嘴钳 Needle nose pliers 镊子 Tweezers 美工刀 Craft knife 笔钻 pin vice

- 
 安装
install
- 
 折叠
bend
- A1**
 改造件零件编号
PE/resin part number
- B12**
 原零件编号
kit part number
- C22**
 被替换的原零件编号
replaced kit part number
- 
 另一侧相同制作
repeat on opposite side
- 
 切除
remove
- 
 打磨
grind off
- 
 弧度卷曲
radial bending
- x2**
 制作若干组
multiple assembly
- 
 选择安装
alternative
- 
 钻孔
drill
- 
 用胶棒制作
make from plastic rod

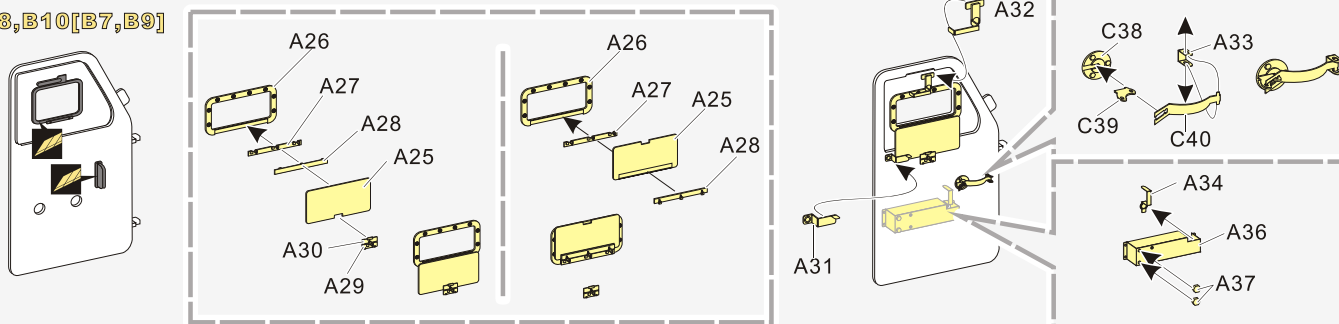

用尖端在凹槽处冲压
use penpoint to press on the dent

蚀刻片零件内侧面向上
Put the part upside down

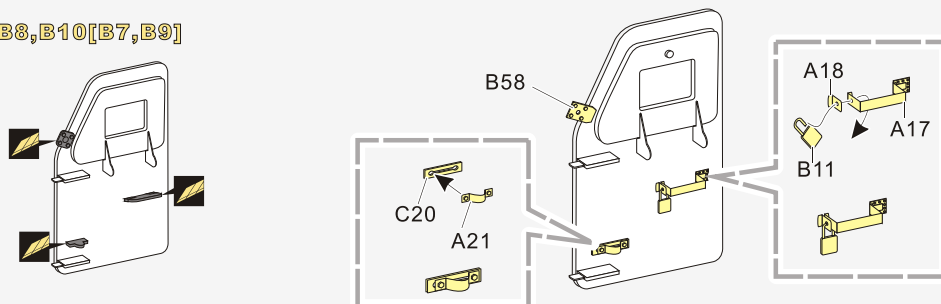
用笔尖在凹槽处刺
Use penpoint to press on the dent



B8, B10 [B7, B9]

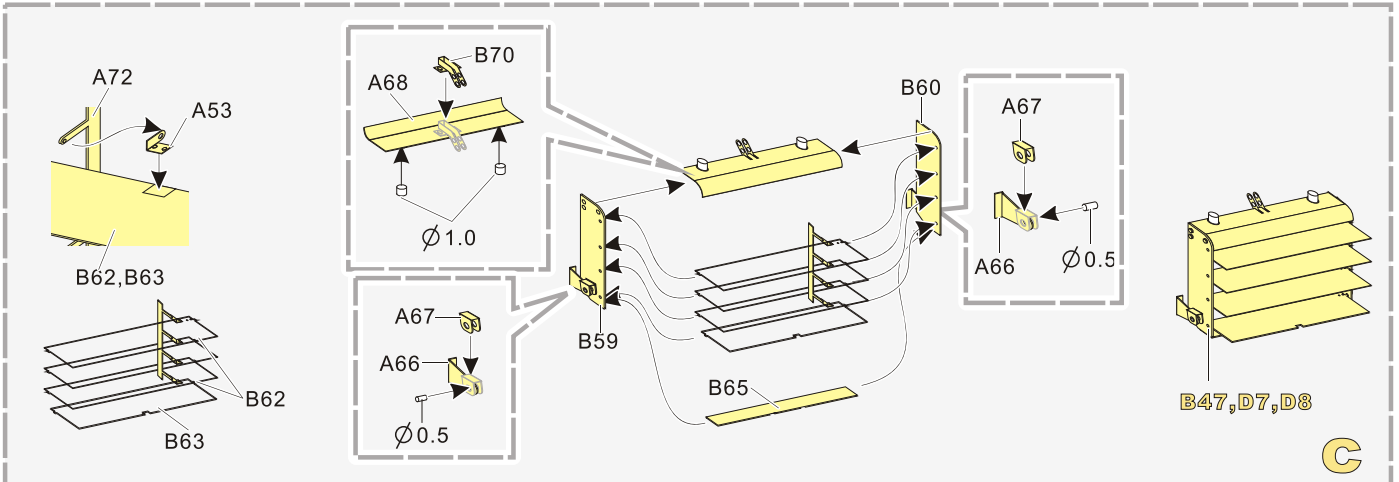


B8, B10 [B7, B9]

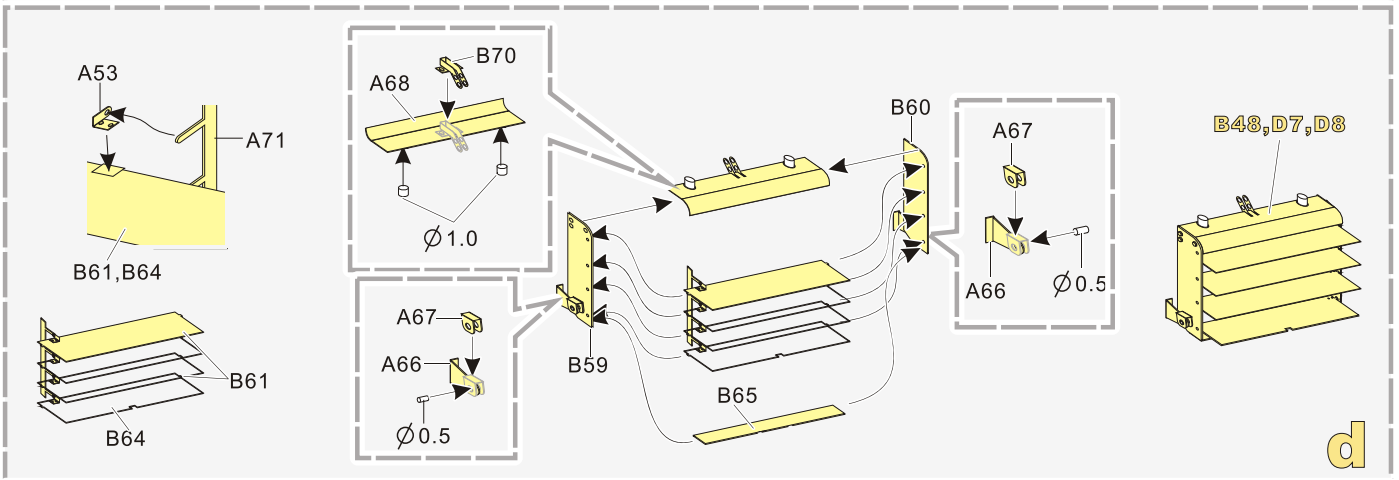


b

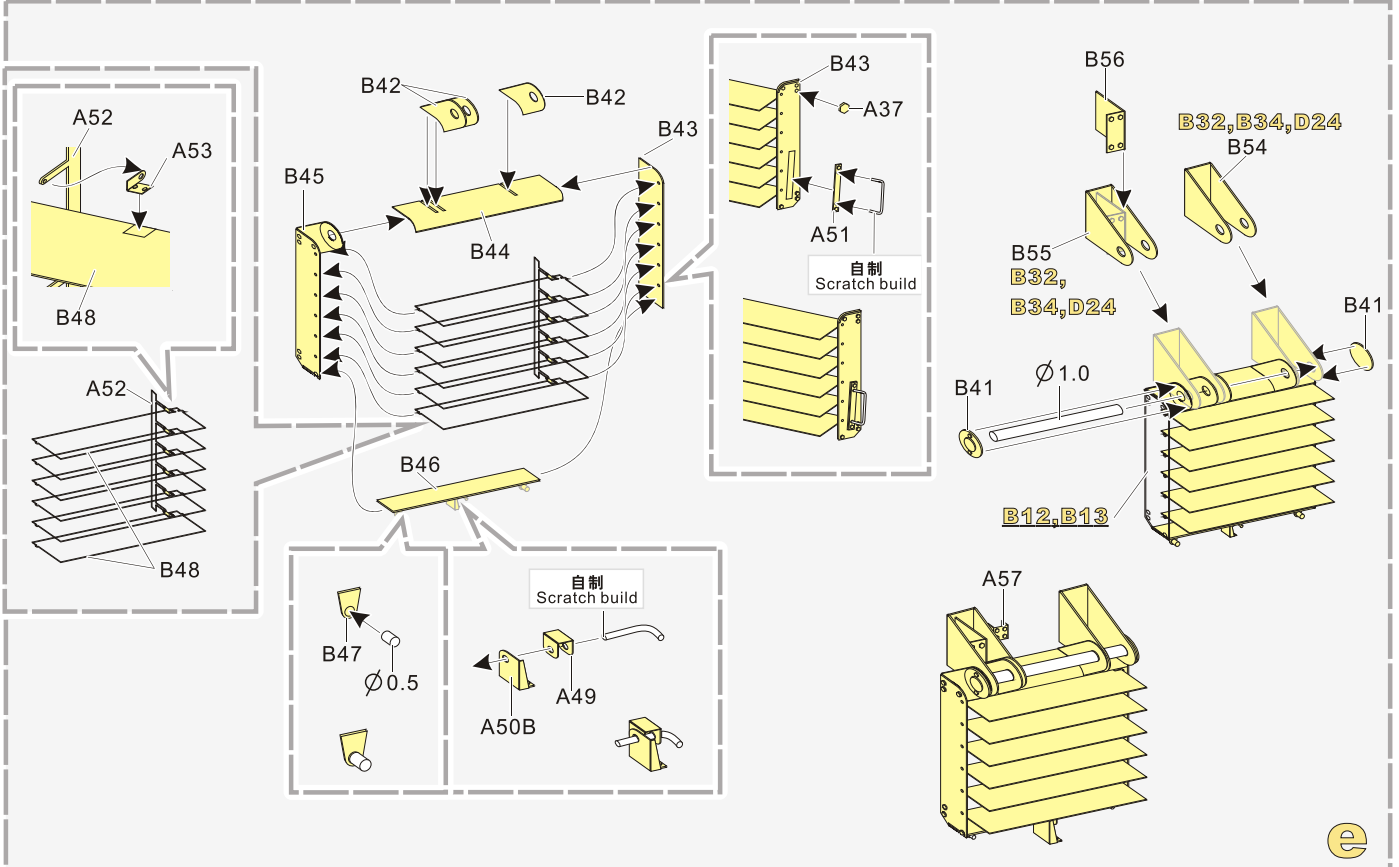
1/35 MILITARY MINIATURE VEHICLE UPGRADE SERIES PE35006



C

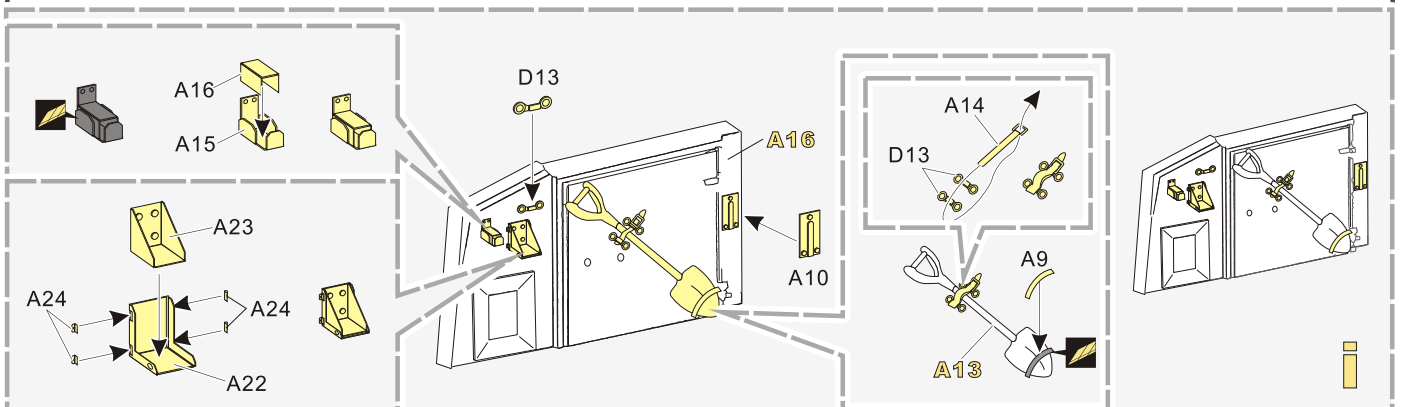
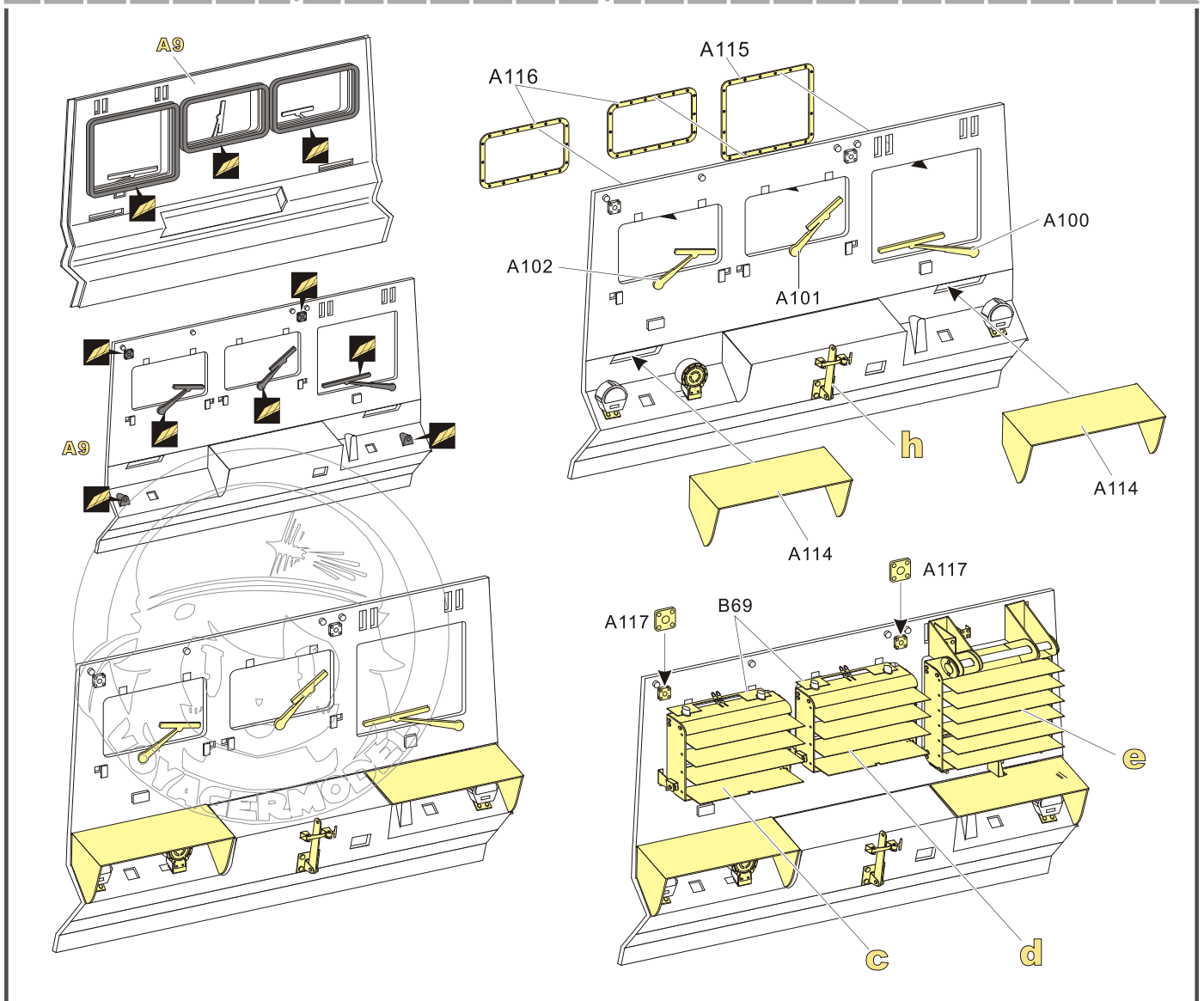
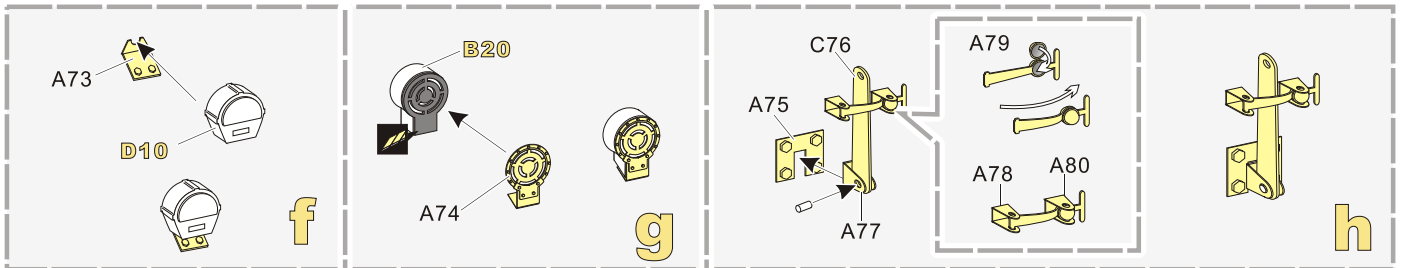


d

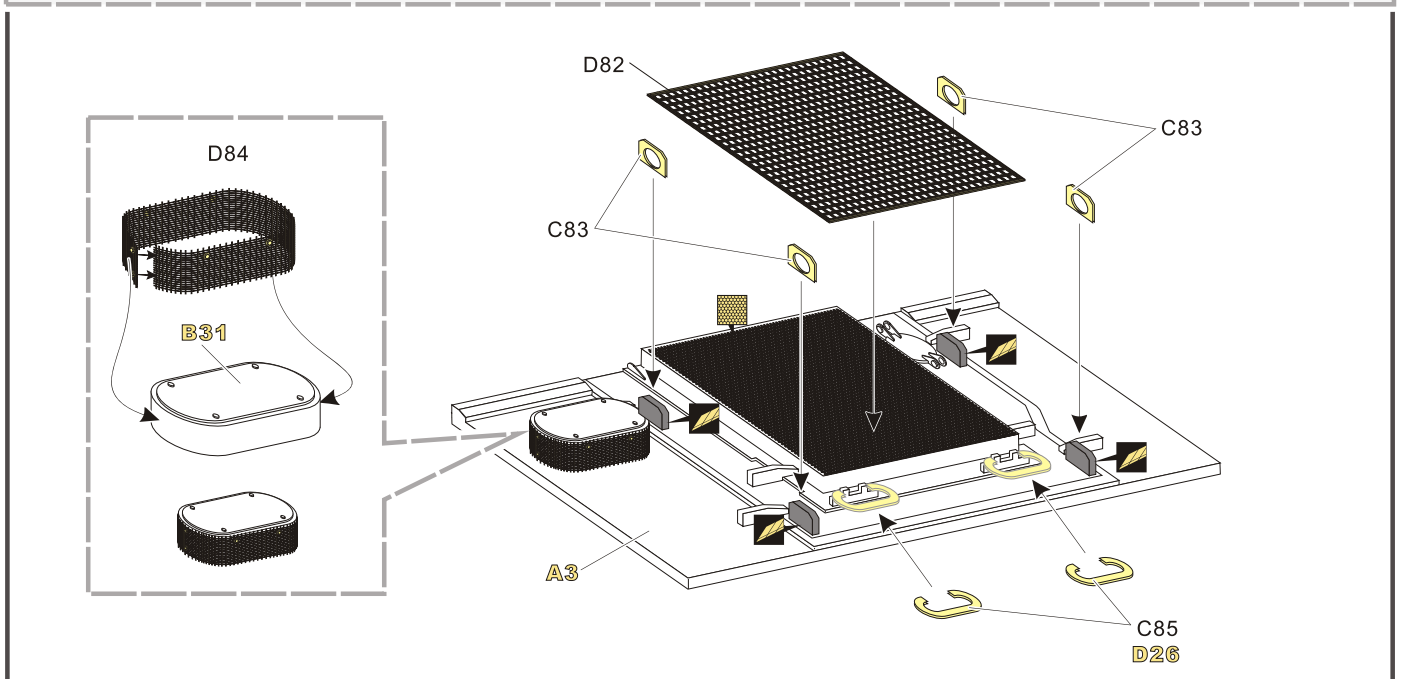
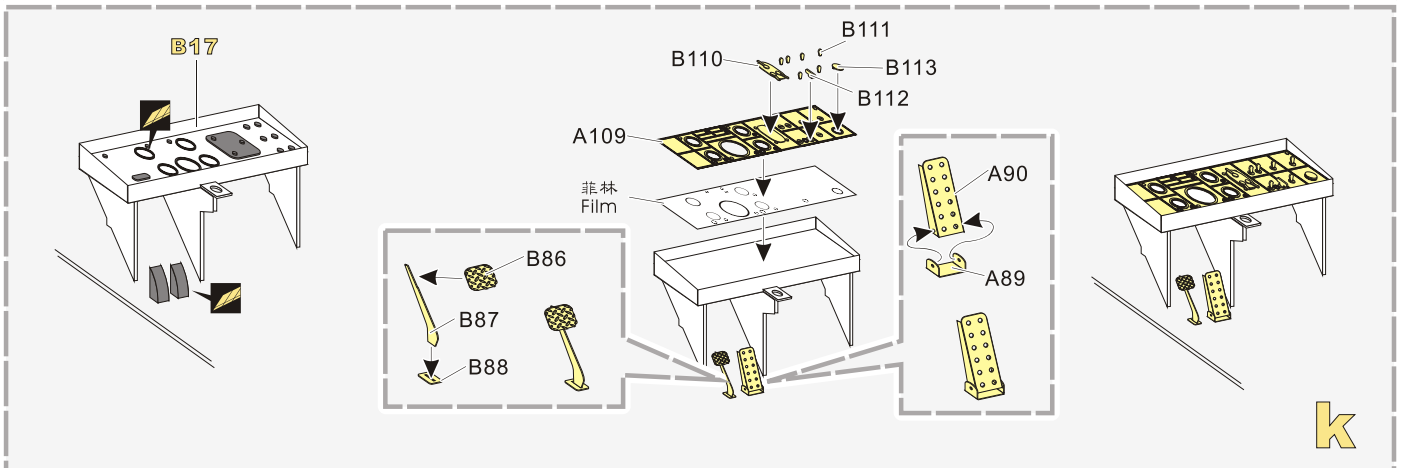
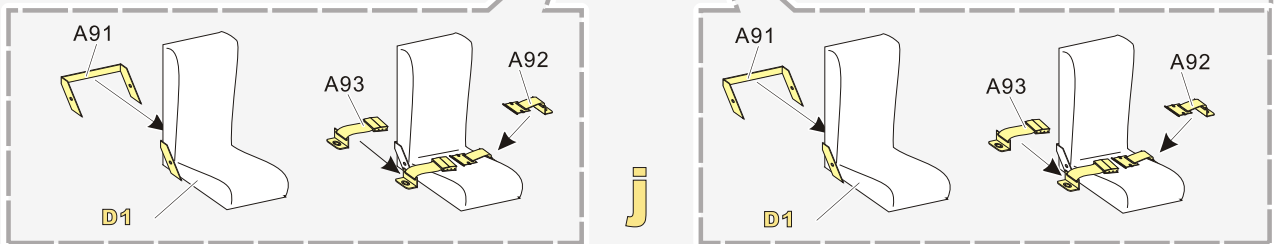
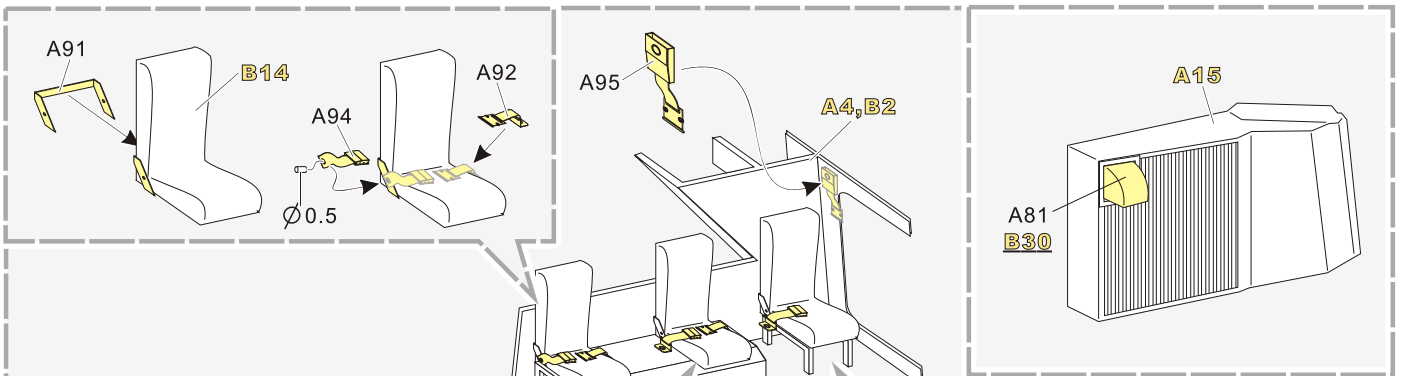


e

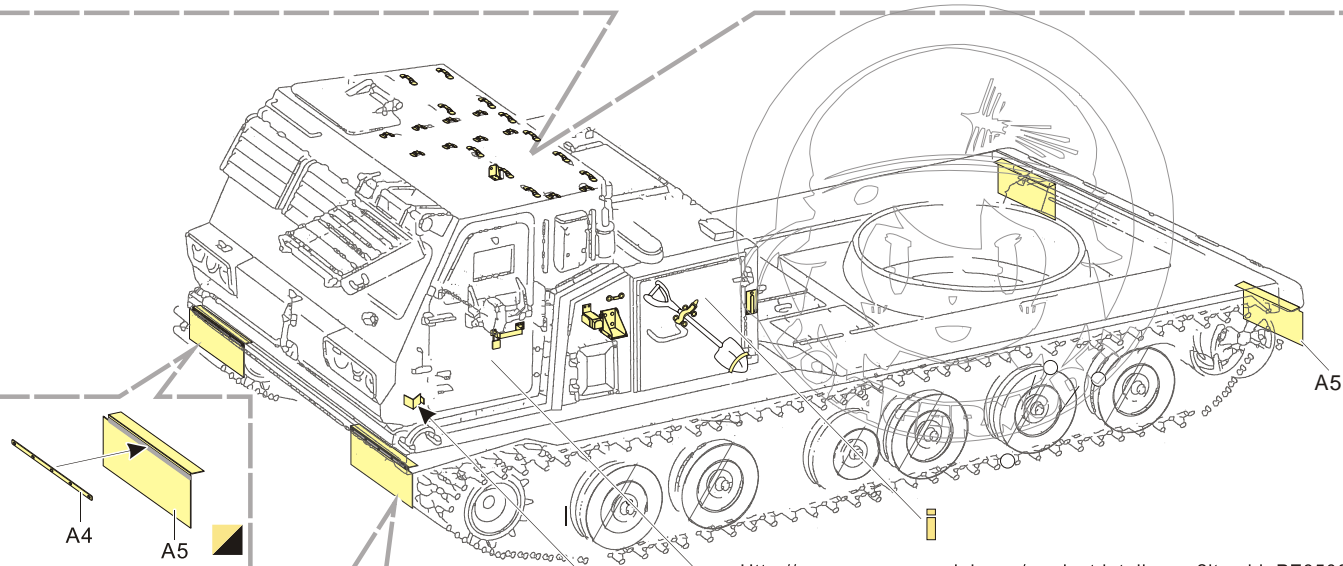
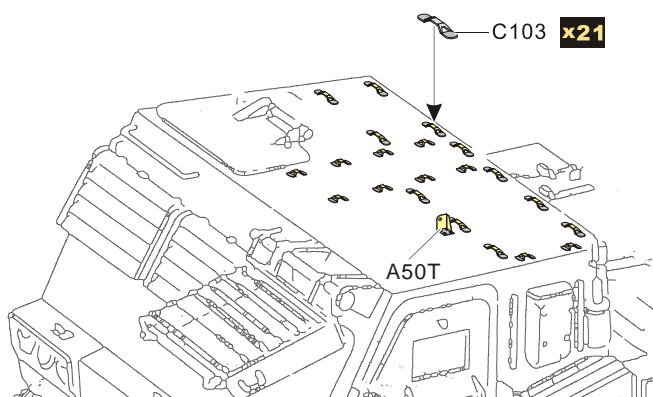
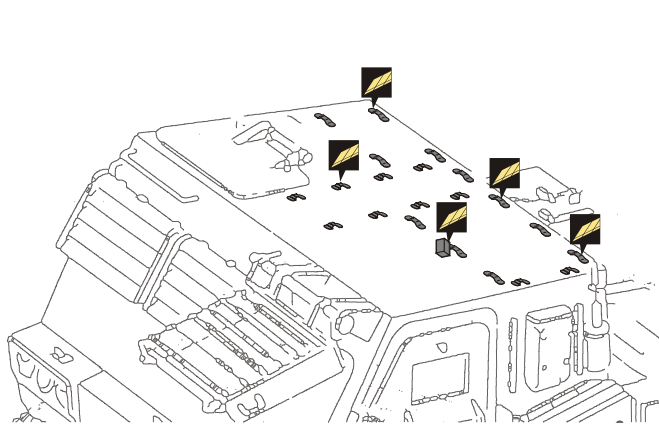
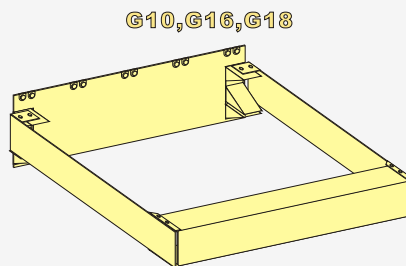
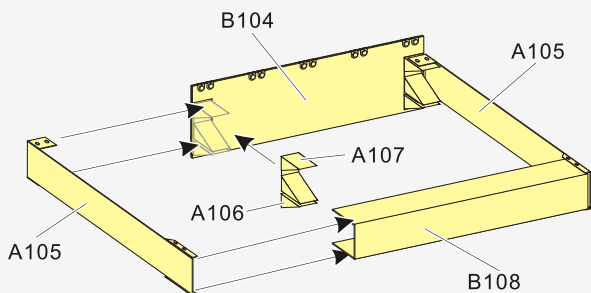
1/35 MILITARY MINIATURE VEHICLE UPGRADE SERIES PE35006



1/35 MILITARY MINIATURE VEHICLE UPGRADE SERIES PE35006



1/35 MILITARY MINIATURE VEHICLE UPGRADE SERIES PE35006



[Http://www.voyagermodel.com/productdetails.asp?itemid=PE35006](http://www.voyagermodel.com/productdetails.asp?itemid=PE35006)



**VOYAGER
MODEL**



更多PE35006样品照片参考请扫一扫
MORE PICTUER OF PE 35006
REFERENCE SCAN HERE