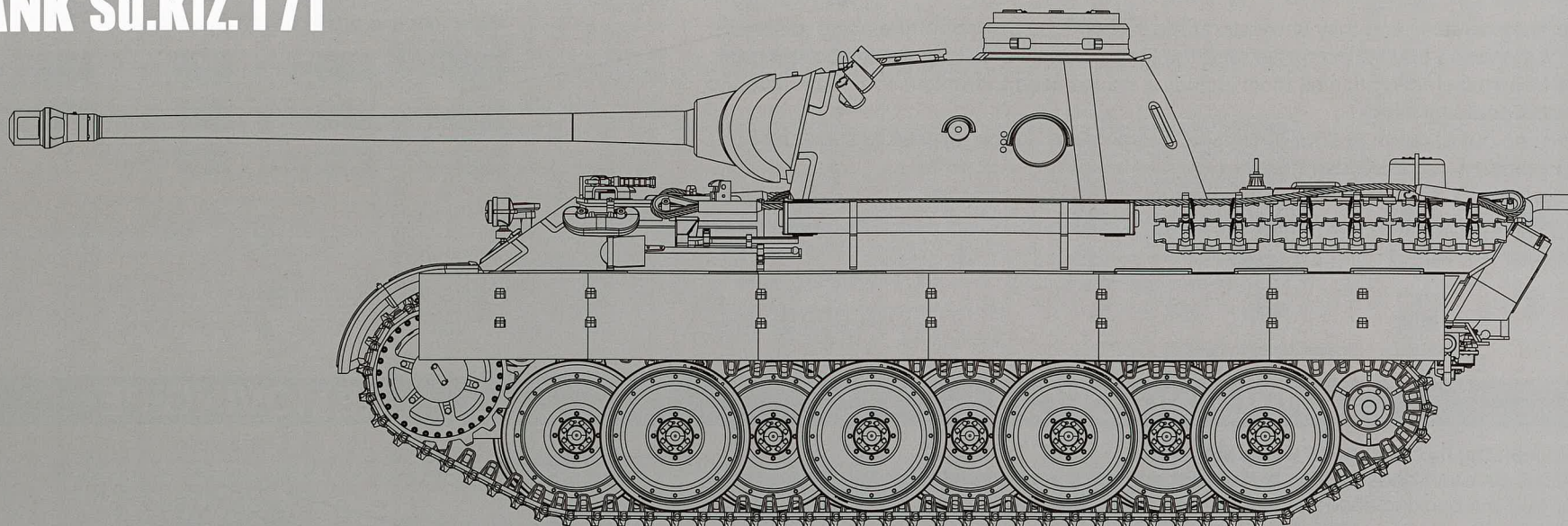


PANTHER Ausf.D

GERMAN TANK Sd.Kfz. 171

Early / Mid
Production
2in1

w/Full Interior



When the German Panzer IV met the Russian T-34 in June 1941, they were humiliated by being outclassed by the T-34, so a group of weapons specialists were sent to the Russian front to analyze the T-34's design. With these results, Daimler-Benz (DB) and Maschinenfabrik Augsburg (MAN) were both tasked with providing designs for a 30-ton medium tank by April 1942. The MAN design was accepted in May 1942, mainly because it was able to use an existing turret designed by Rheinmetall-Borsig, saving valuable time needed to design a new turret required with the DB design.

The Panther design adapted many of its successful design characteristics from the T-34. These were mainly the sloped armor, and the wide tracks (to make maneuvering in snow conditions of the Eastern front easier). In September 1942 the first prototype was tested and immediately pressed into service. Despite delays in production due to the lack of manufacturing equipment of the hull, the first rushed deliveries to the German Army were completed in December, but the tank was plagued by technical problems. Despite these early issues, the tank was very successful, and due to its high demand on the Eastern Front, the original production of 250 tanks per month at the MAN plant, was increased to 600 tanks per month in January in 1943, which resulted in production also being allocated to the Daimler-Benz, Maschinenfabrik Niedersachsen-Hannover (MNH), and the Henschel & Sohn plants to meet production quotas. Due to Allied bombing throughout the war, the required production amount was never met and only 6,000 in total were built.

The 700hp Maybach V-12 petrol engine with its seven-speed AK 7-200 synchromesh gearbox designed by ZF, was fitted with a governor in late 1943 to minimize engine failures by limiting the engine revolutions to 2500 rpm and reducing its power to 600 hp. This reduced the Panthers top speed from 55 km/h to 46 km/h. The Panther had a five-man crew: the driver, radio operator, gunner, loader, and commander.

The Panther was armed with a semi-automatic 75mm Rheinmetall-Borsig KwK 42 main gun, and could carry 79 rounds of three different types of ammunition: Armour-Piercing Capped Ballistic Capped, (APCBC), High-Explosive (HE) and Armour-Piercing Composite Rigid (APCR). The 75mm cannon on the Panther was one of the most powerful cannons of WWII, and had even greater success at piercing enemy armour than the Tiger I's 88mm cannon. The Panther was also equipped with two 7.92mm Maschinengewehr 34 (MG-34) for close quarter fighting; one was mounted coaxially with the main cannon and the second was mounted in the front sloping armour and operated by the radio operator. In later production upgrades, a mount was attached to the commander's cupola so a third MG-34 could be mounted for anti-aircraft purposes.

The frontal armor of the Panther consisted of 80mm homogeneous steel plate sloped back at 55 degrees from the vertical, interlocked & welded for strength. This made the Panther's frontal armor less penetrable to Allied and Soviet tanks. The front of the turret was covered by a 100mm cast mantlet in the shape of a semi-circle, with a curved shape meant to deflect incoming shells. To keep weight down, sacrifice was made to its side armor, which was on average 40mm to 50mm thick, leaving the Panther vulnerable to attacks from the sides by Allied and Soviet tank and anti-tank guns.

READ BEFORE ASSEMBLY

CAUTION

- Read carefully and fully understand the instructions before commencing assembly. A supervising adult should also read the instructions if a child assembles the model.
- When assembling this kit, tools including knives used. Extra care should be taken to avoid personal injury.
- Keep out of reach of small children. Children must not be allowed to suck any part, or pull vinyl bag over their heads.



Optional



Remove



Do Not Cement



Drill



Fill Holes



Instant Glue for Metal

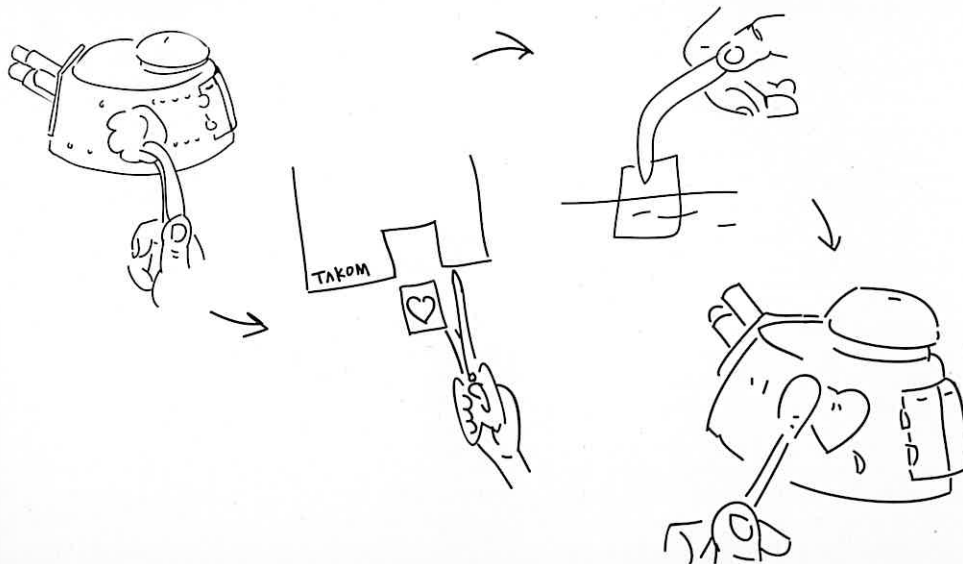
PAINTS REQUIRED

Color info and profiles by Mig Jimenez

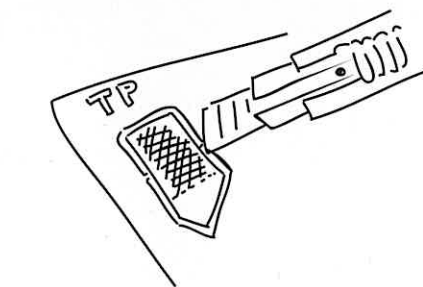
A.MIG 032	Rubber & Tires	A.MIG 035	Dark Tracks	A.MIG 036	Old Wood	A.MIG 038	Light Wood
A.MIG 040	Medium Rust	A.MIG 045	Gun Metal	A.MIG 093	Crystal Red	A.MIG 096	Crystal Periscope Green
A.MIG 002	Olivgrun Opt.2	A.MIG 010	Dunkelgelb Mid war	A.MIG 015	Schokabraun		

APPLYING DECALS

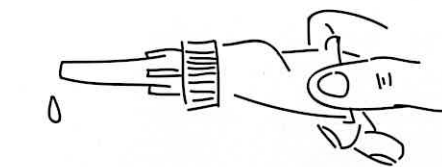
1. Clean the model surface with a wet cloth.
2. Cut out each decal design from sheet, and dip it in tepid water for 15~20 sec.
3. Hold the backing sheet edge and slide decal onto the model.
4. Move decal into position by wetting with finger.
5. Press decal gently down with a soft cloth until excess water and air bubbles are gone.



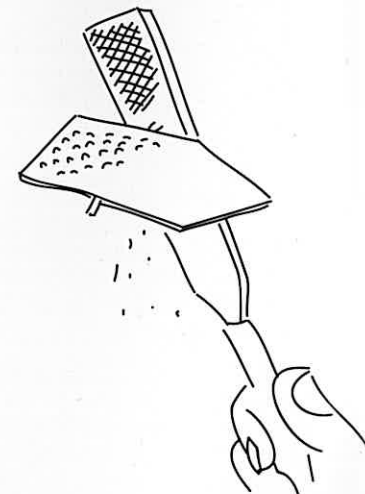
REMOVING PE



Be careful not to hurt when removing PE parts.

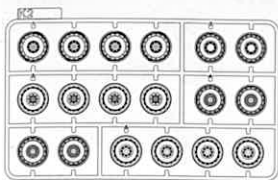


Secure using instant glue (not included).

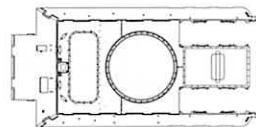
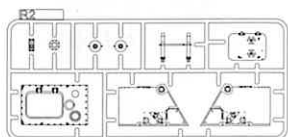
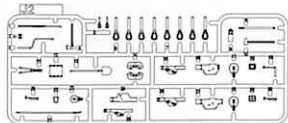
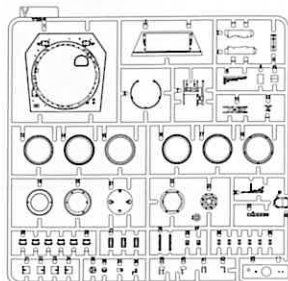
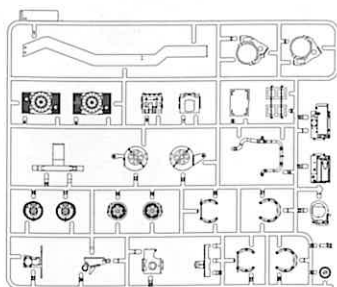
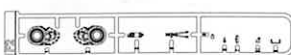
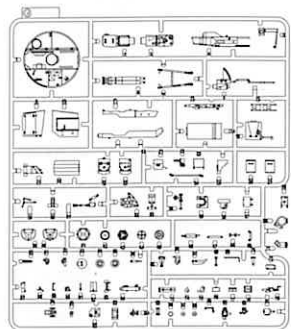
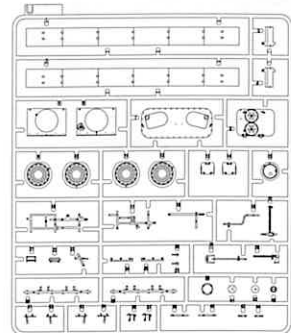
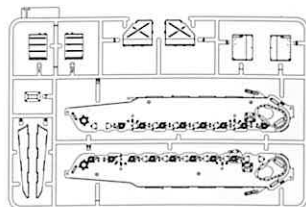
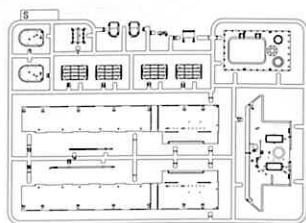


Finish using file.

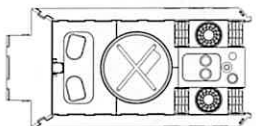
PARTS



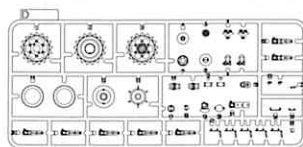
X2



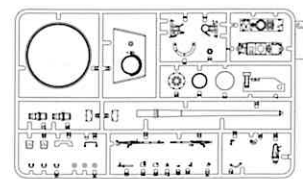
Upper Hull



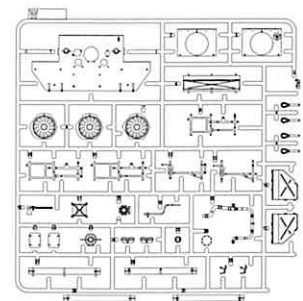
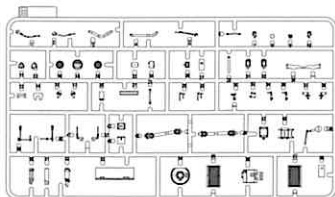
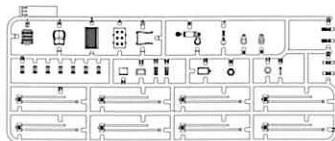
Transparent Upper Hull



X2

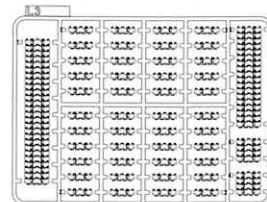
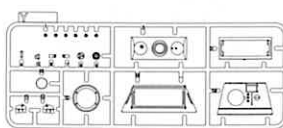


X2

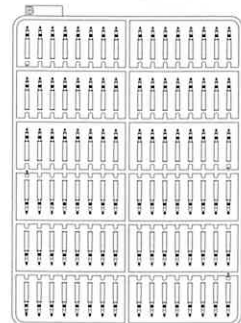


Transparent Turret

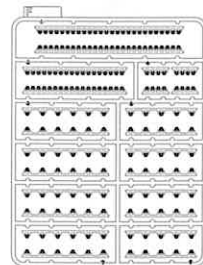
Turret



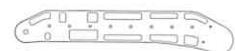
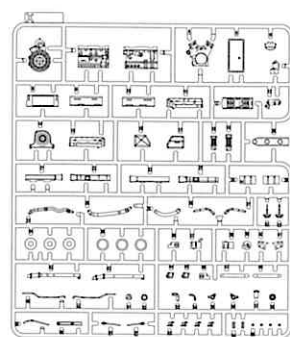
X2



X2



TP



Z2

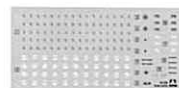


Z1

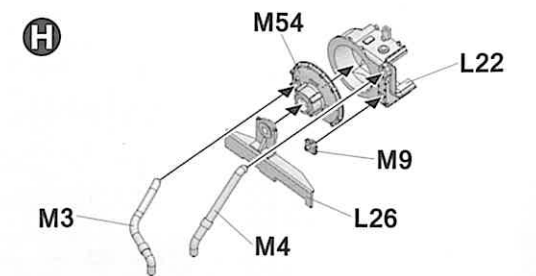
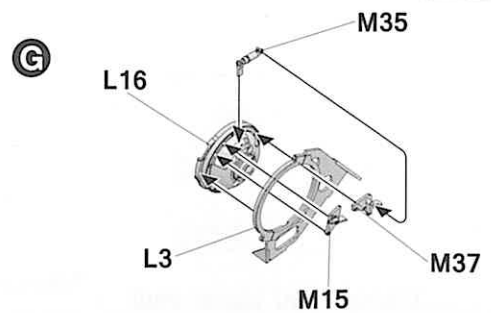
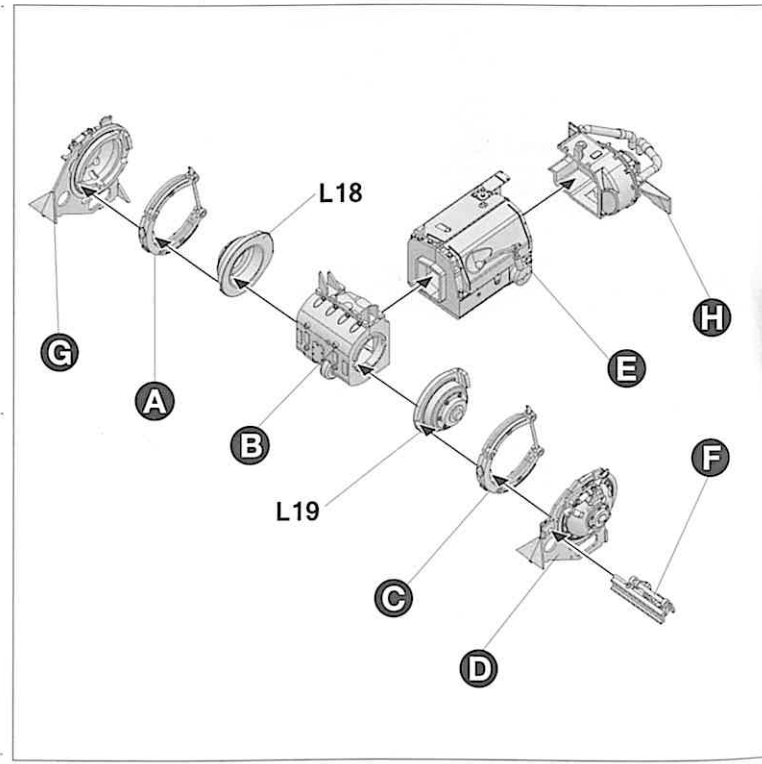
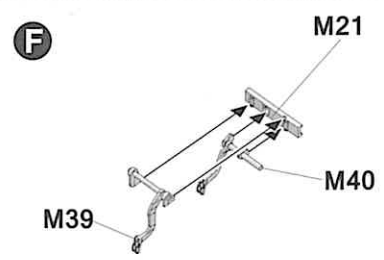
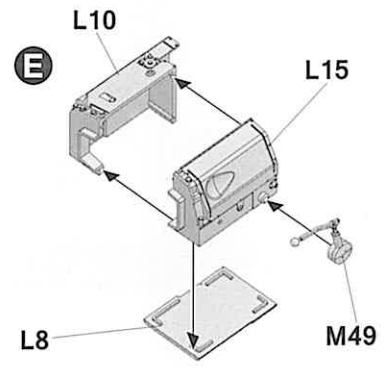
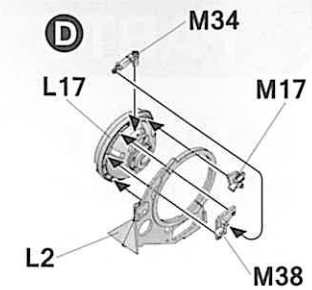
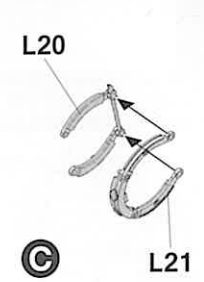
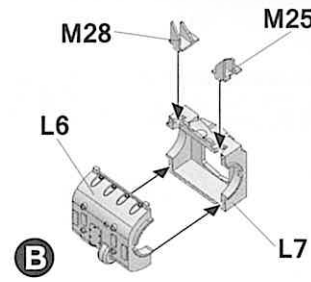
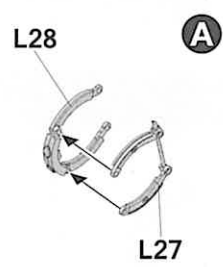
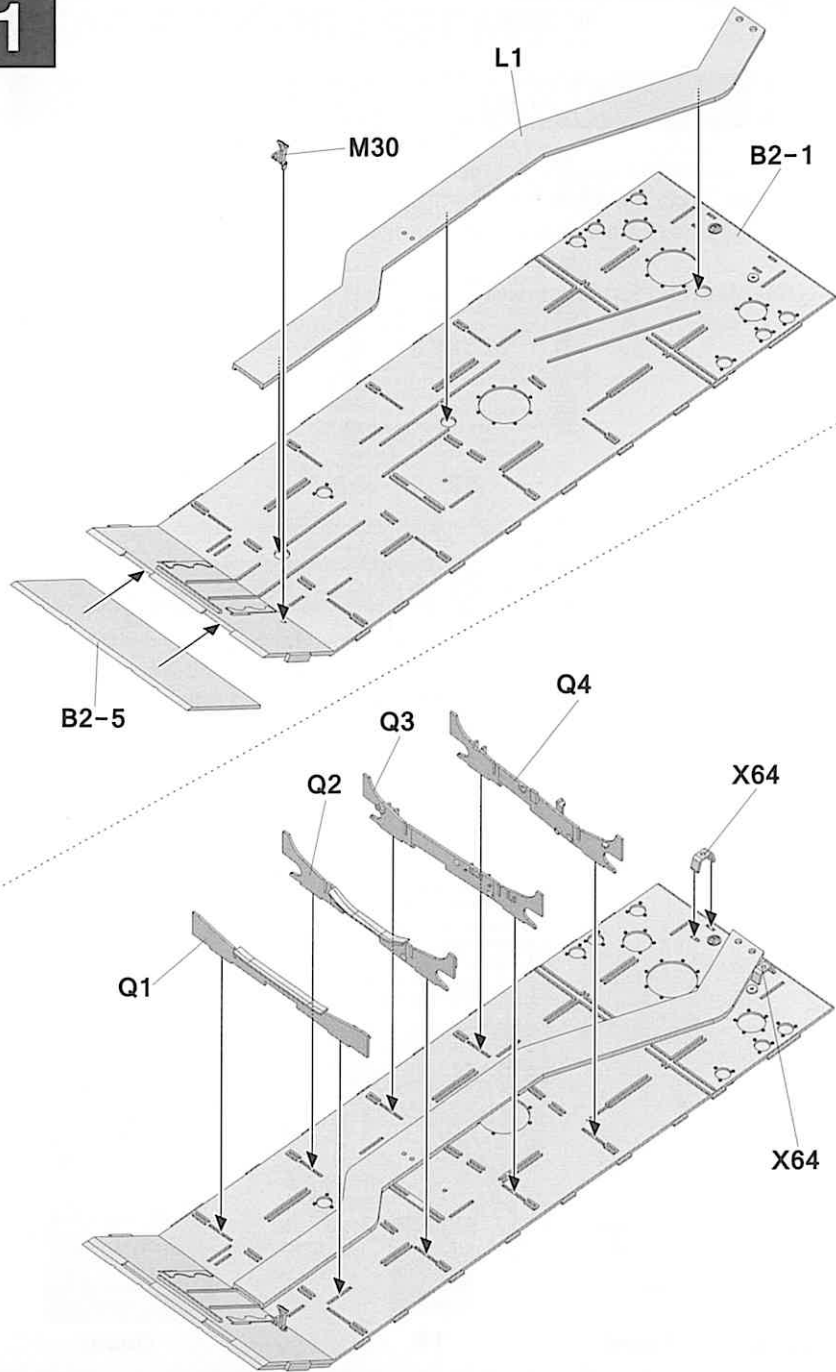


Z3

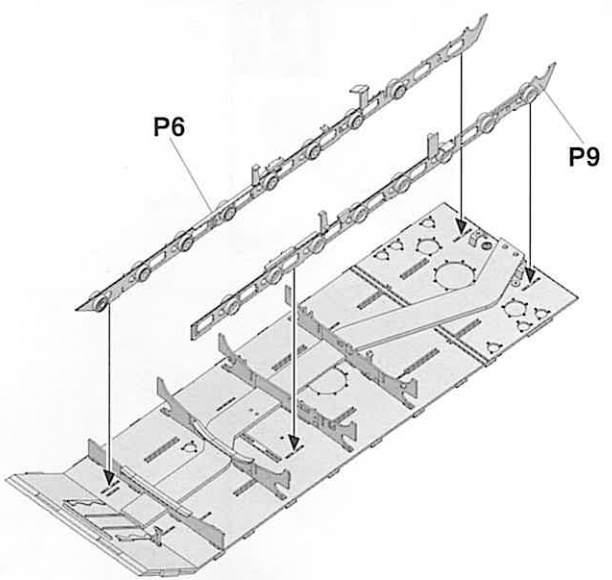
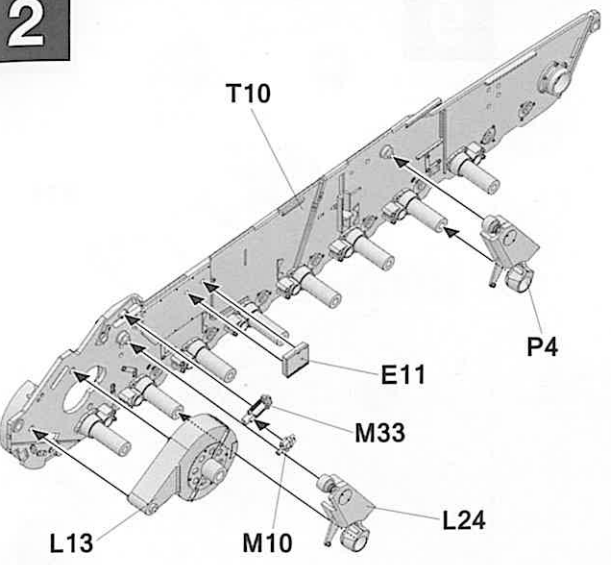
Cable



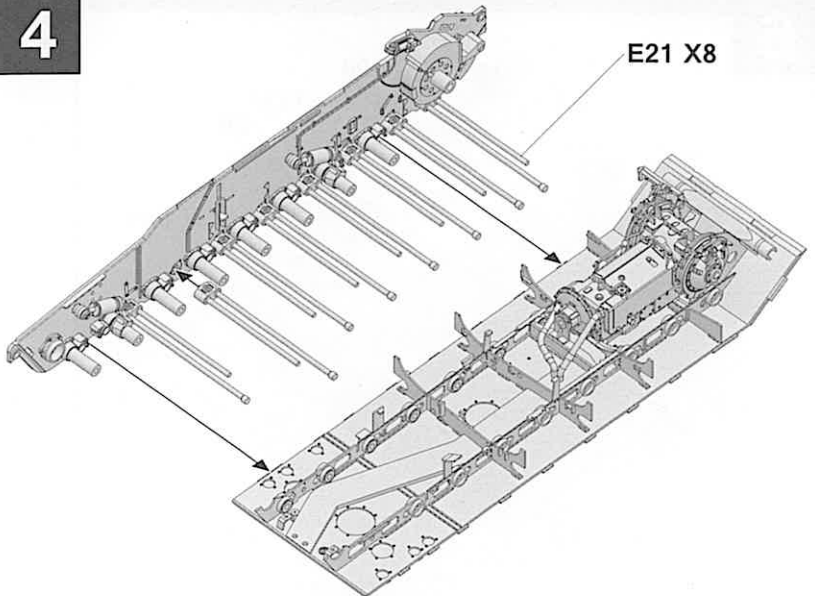
Decal



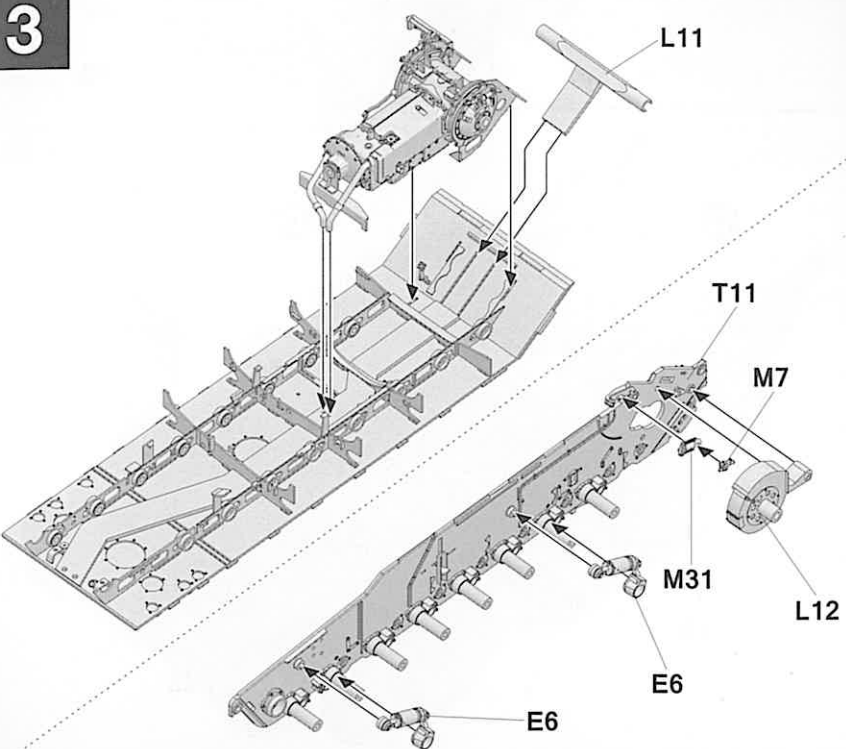
2



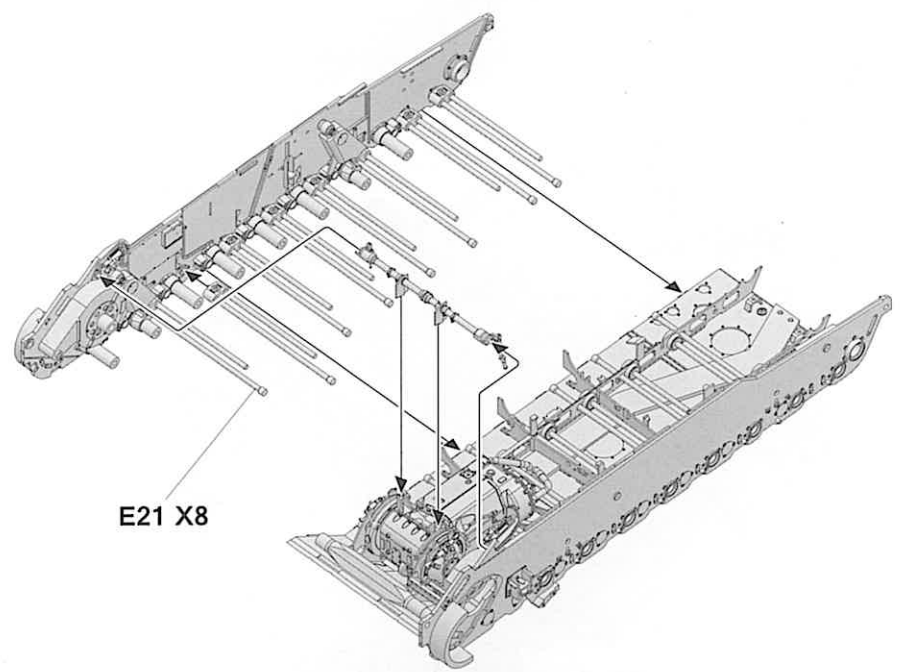
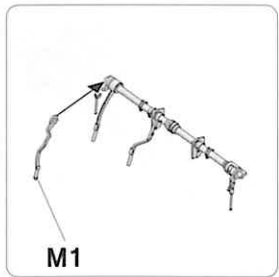
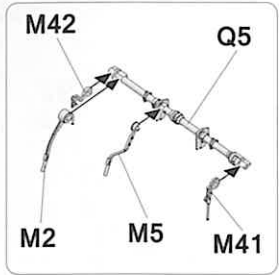
4



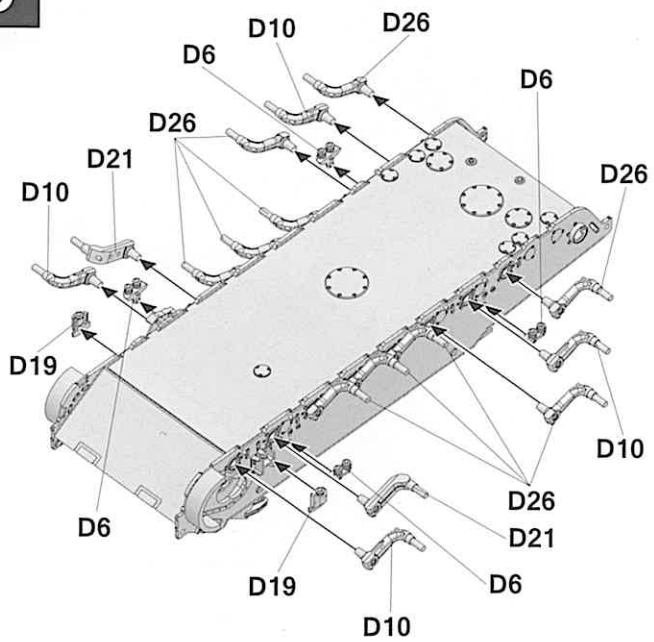
3



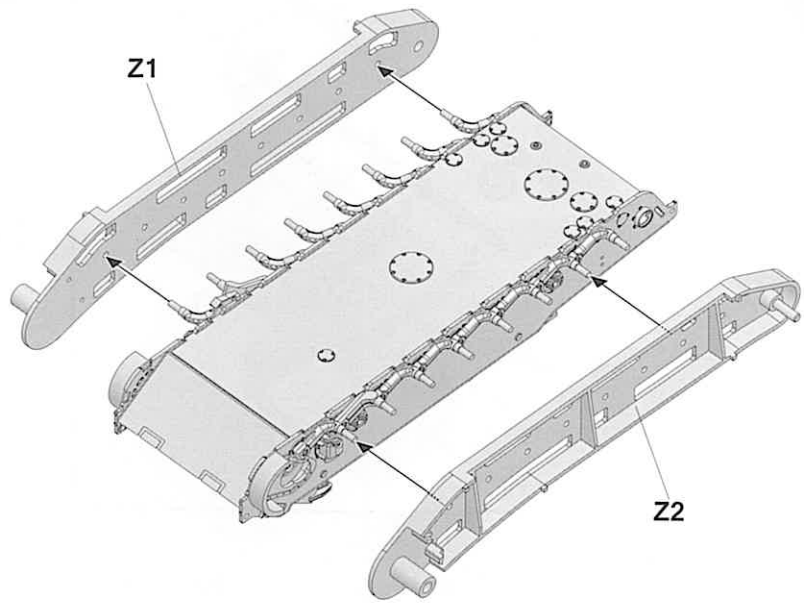
5



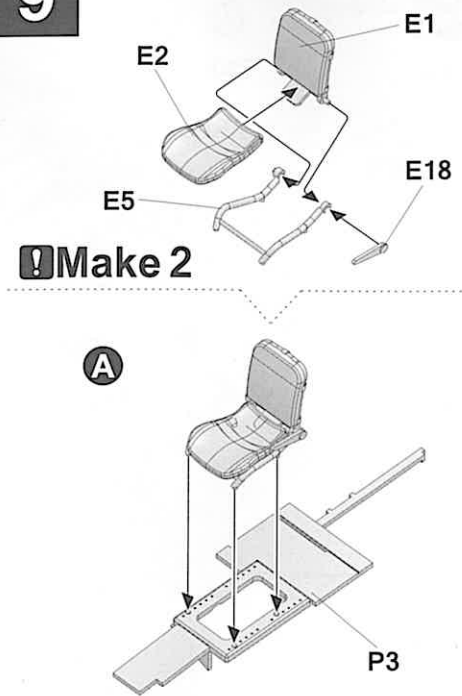
6



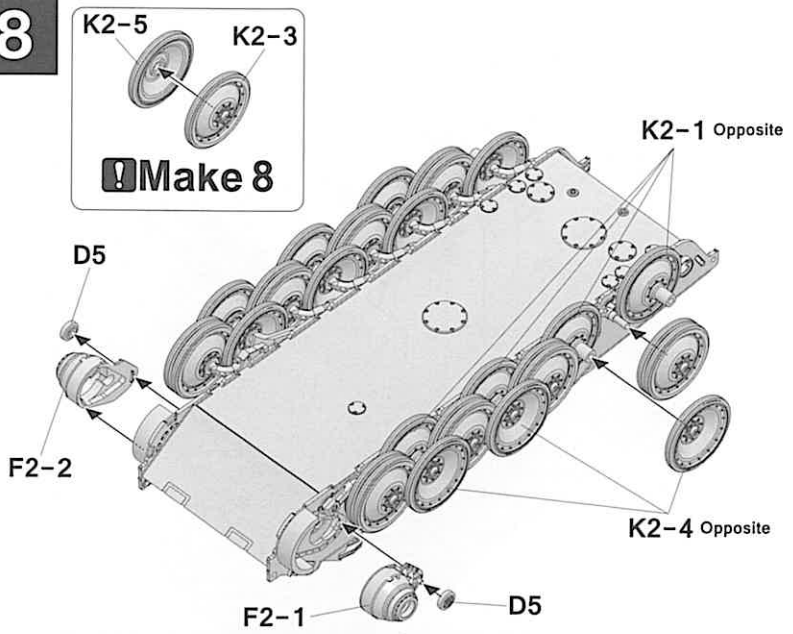
7



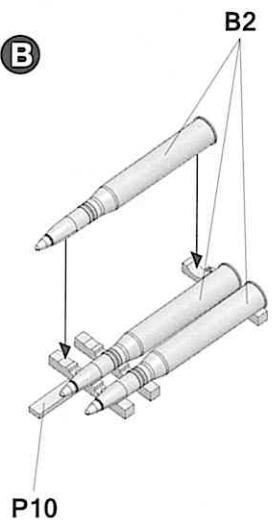
9



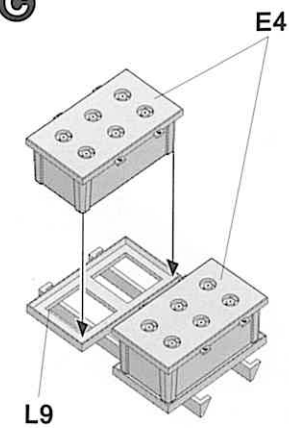
8



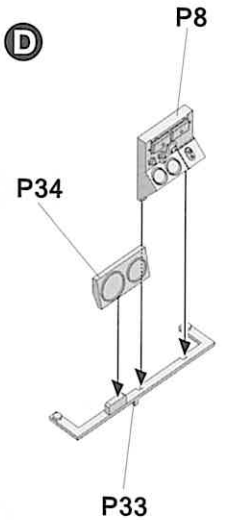
B

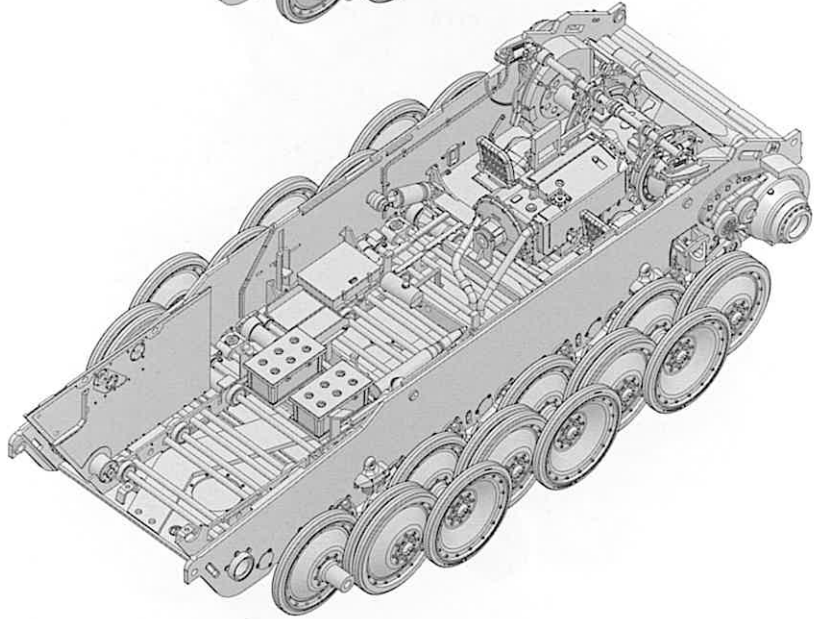
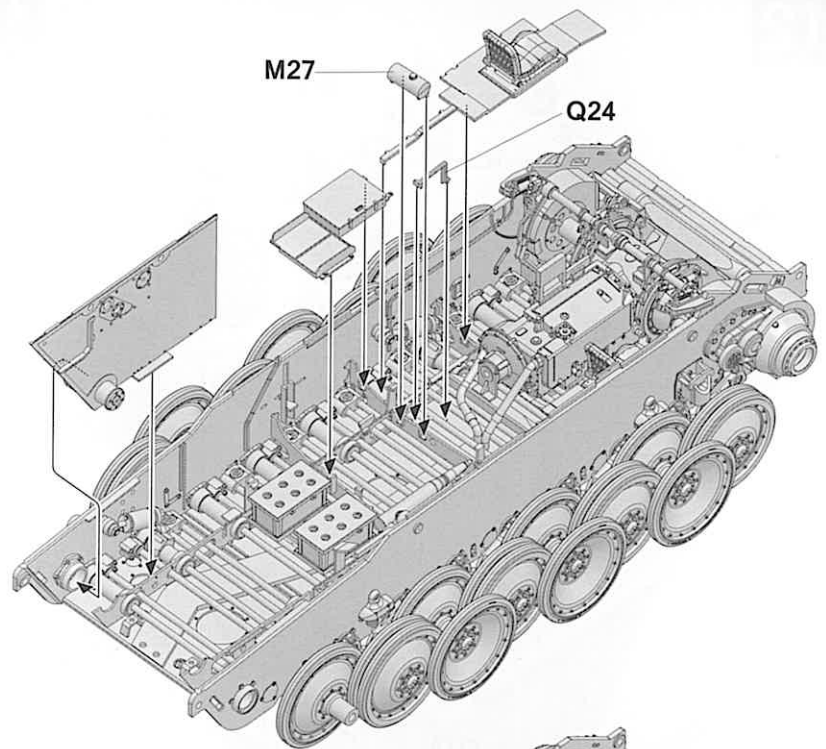
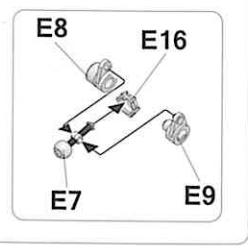
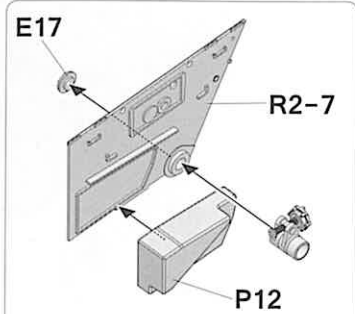
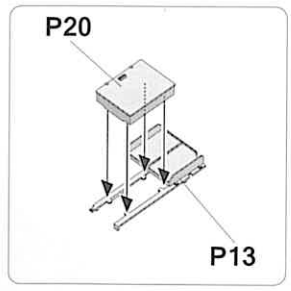
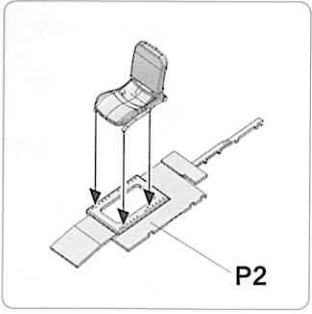
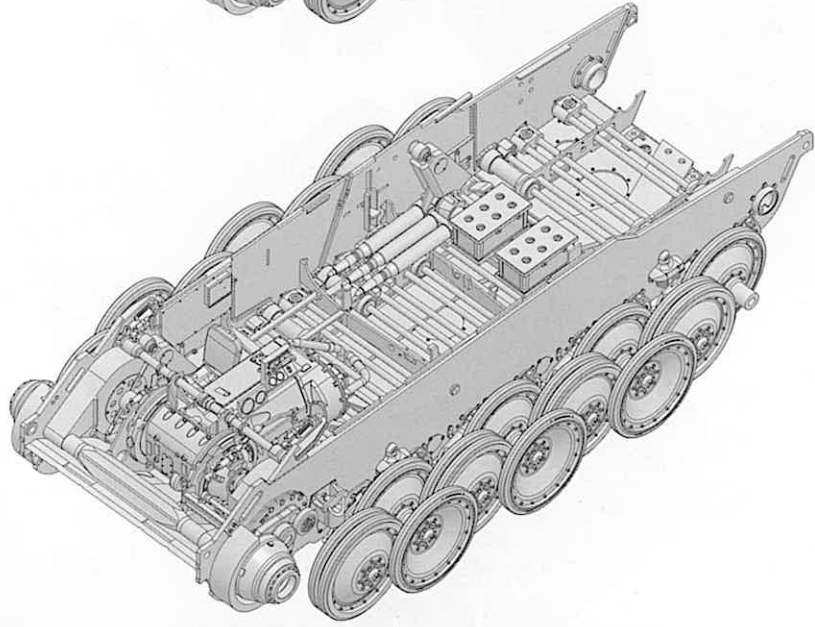
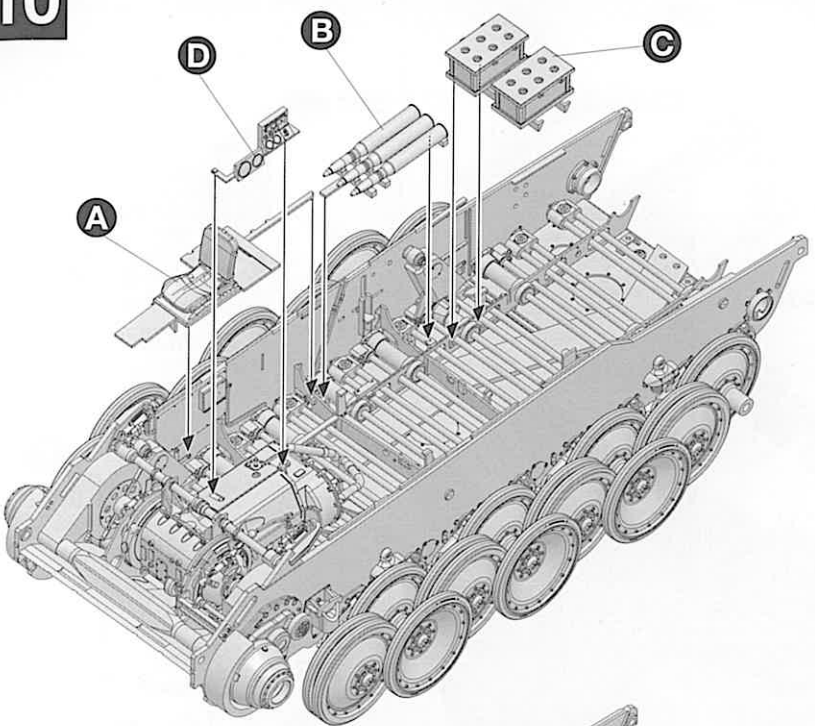


C

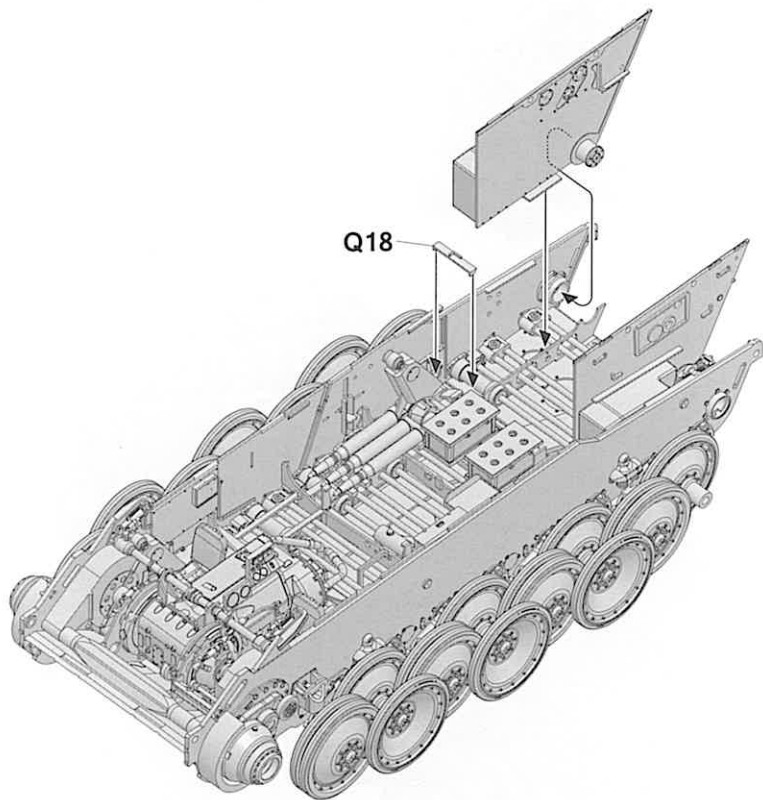
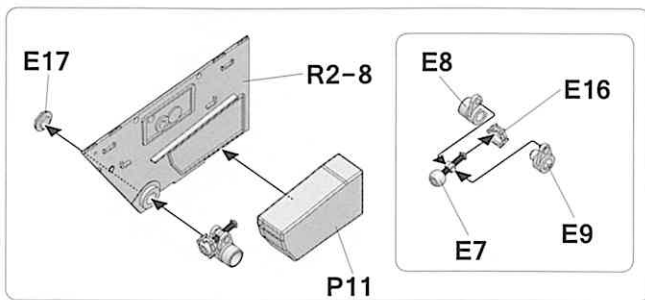


D

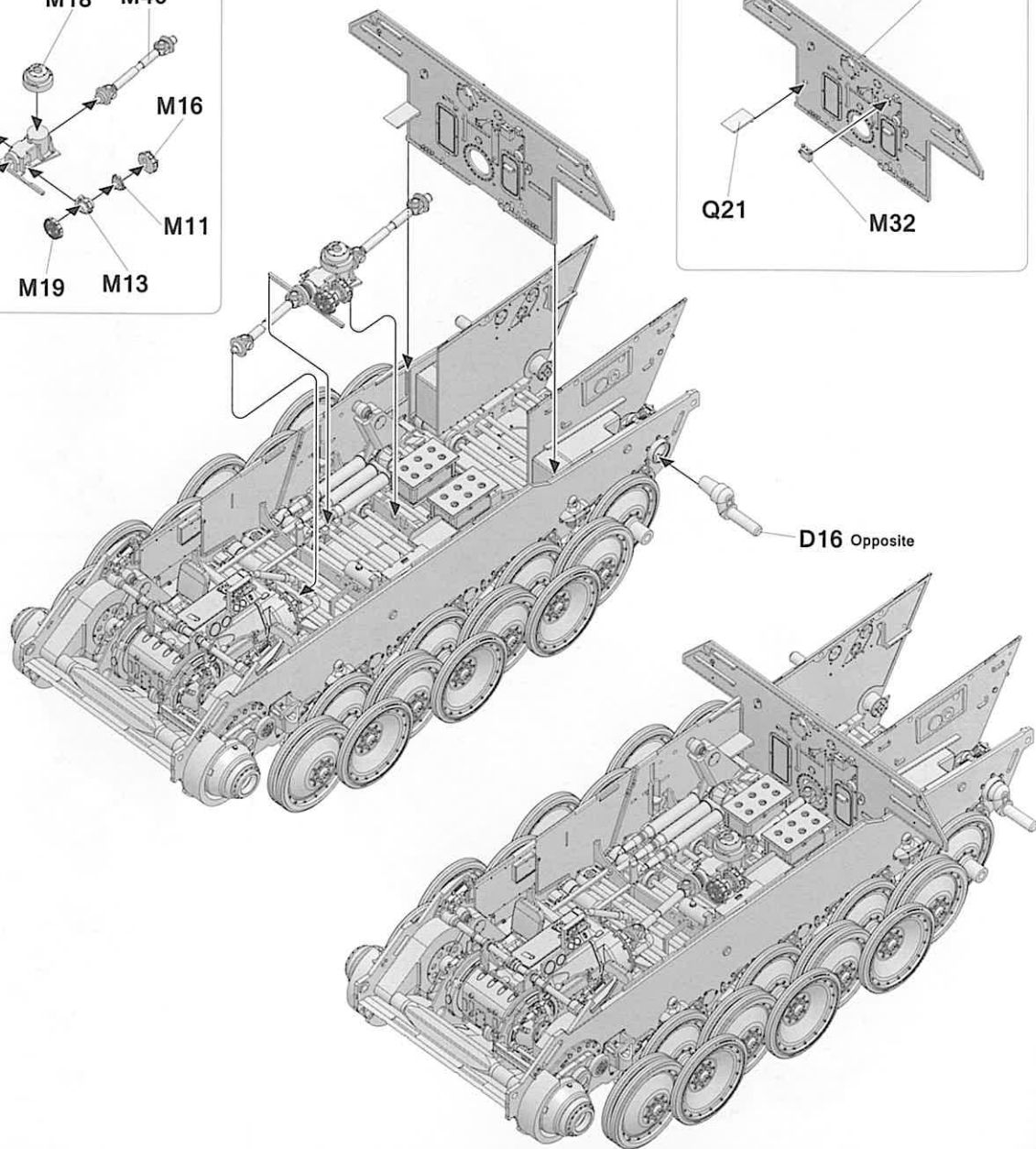
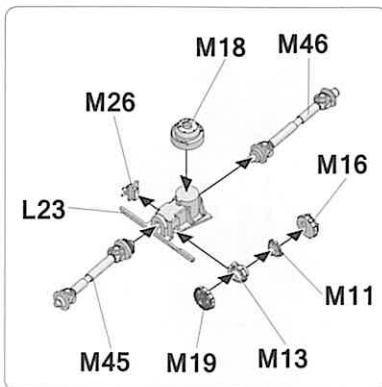


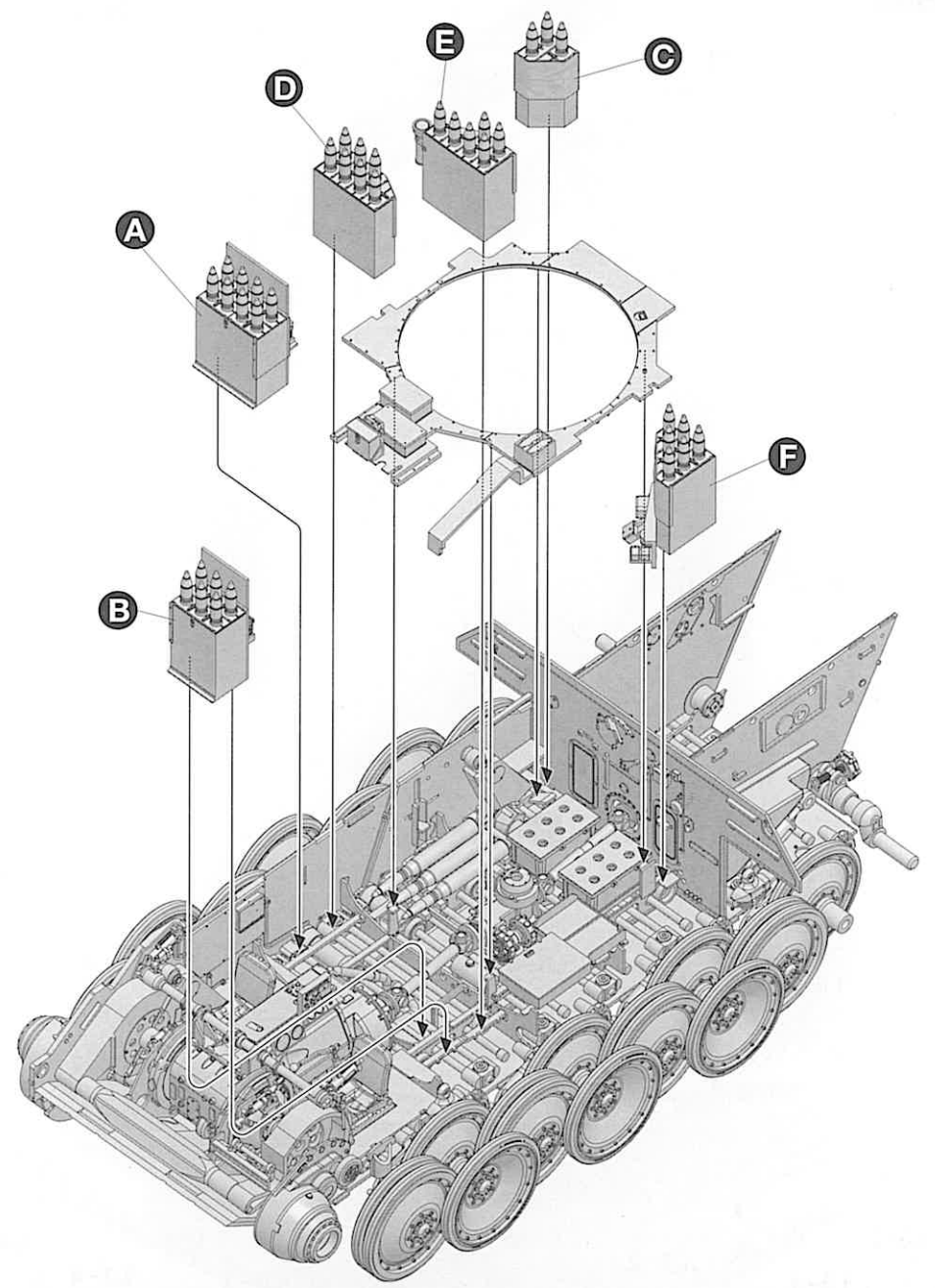
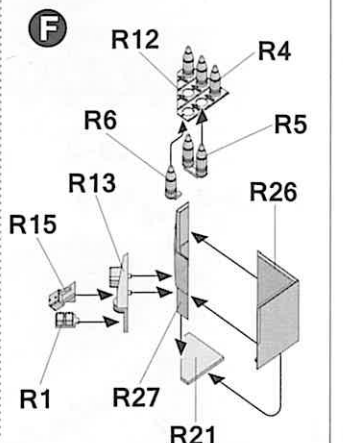
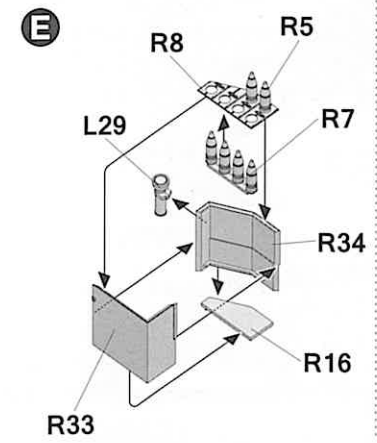
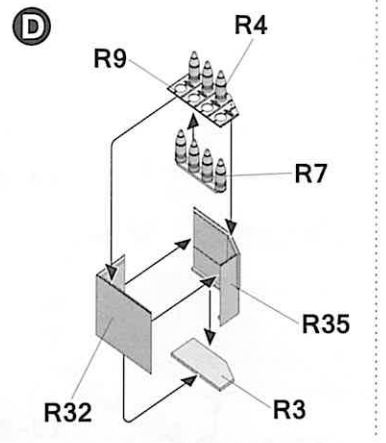
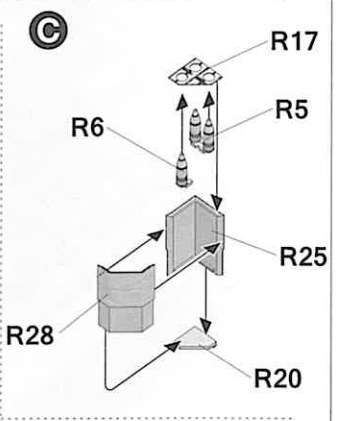
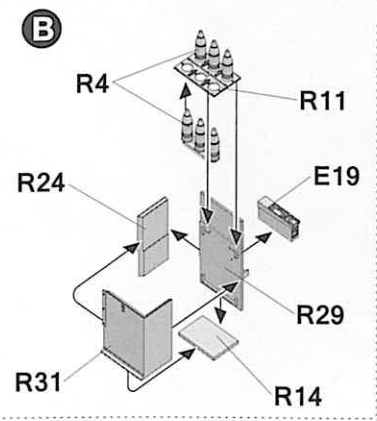
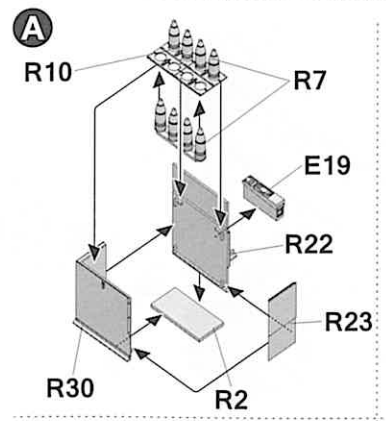
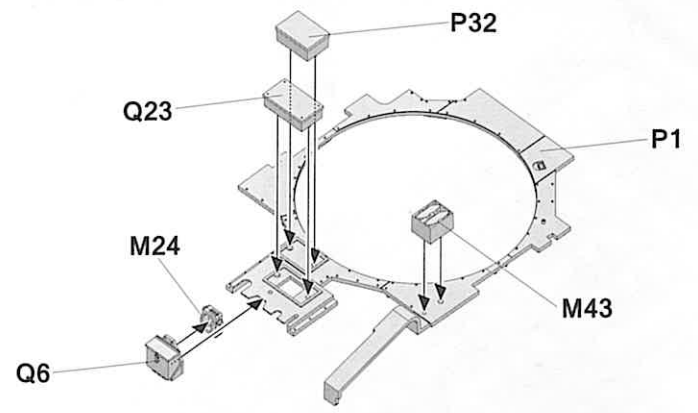


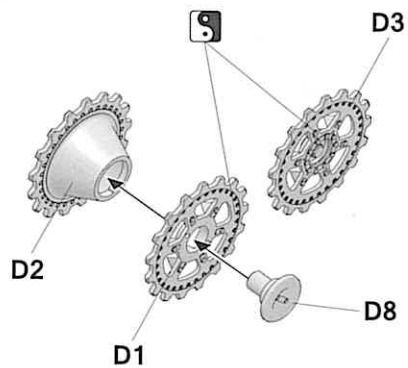
12



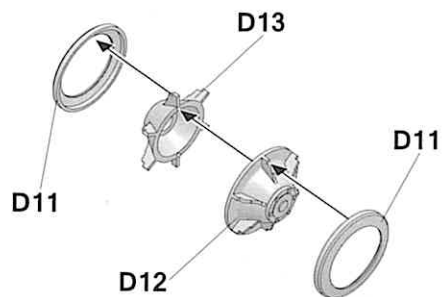
13



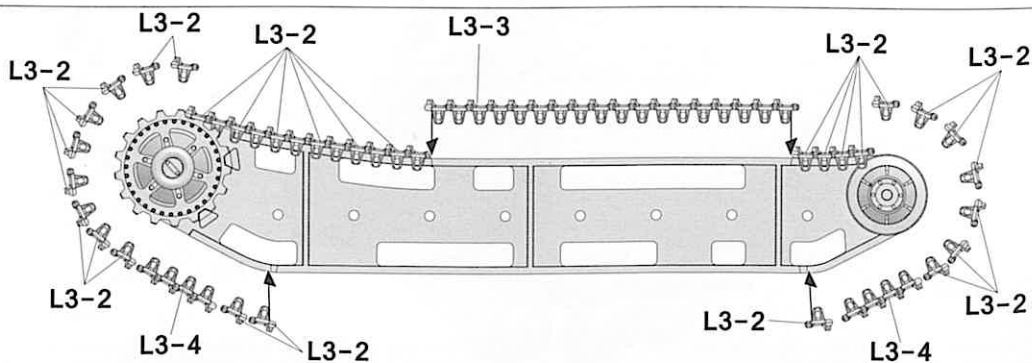
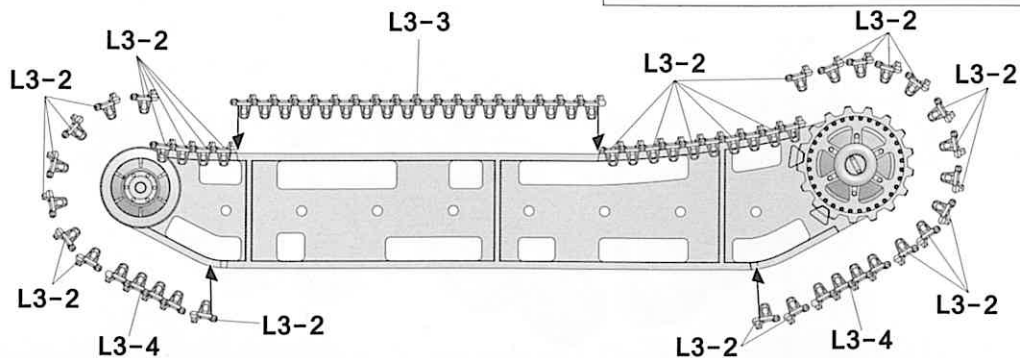
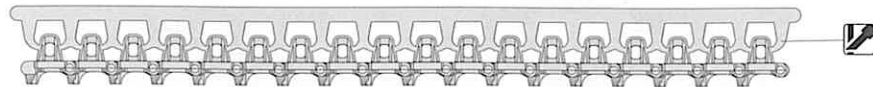
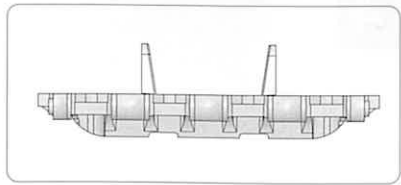
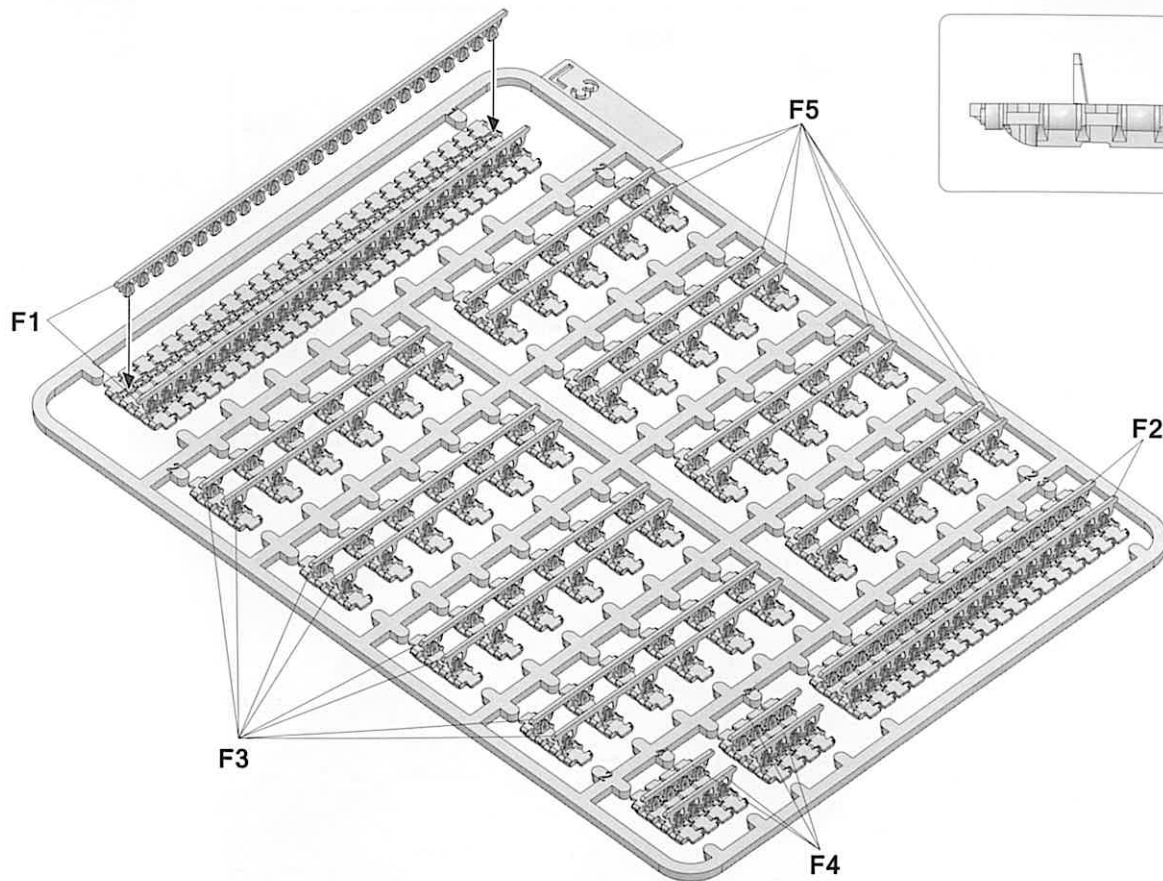


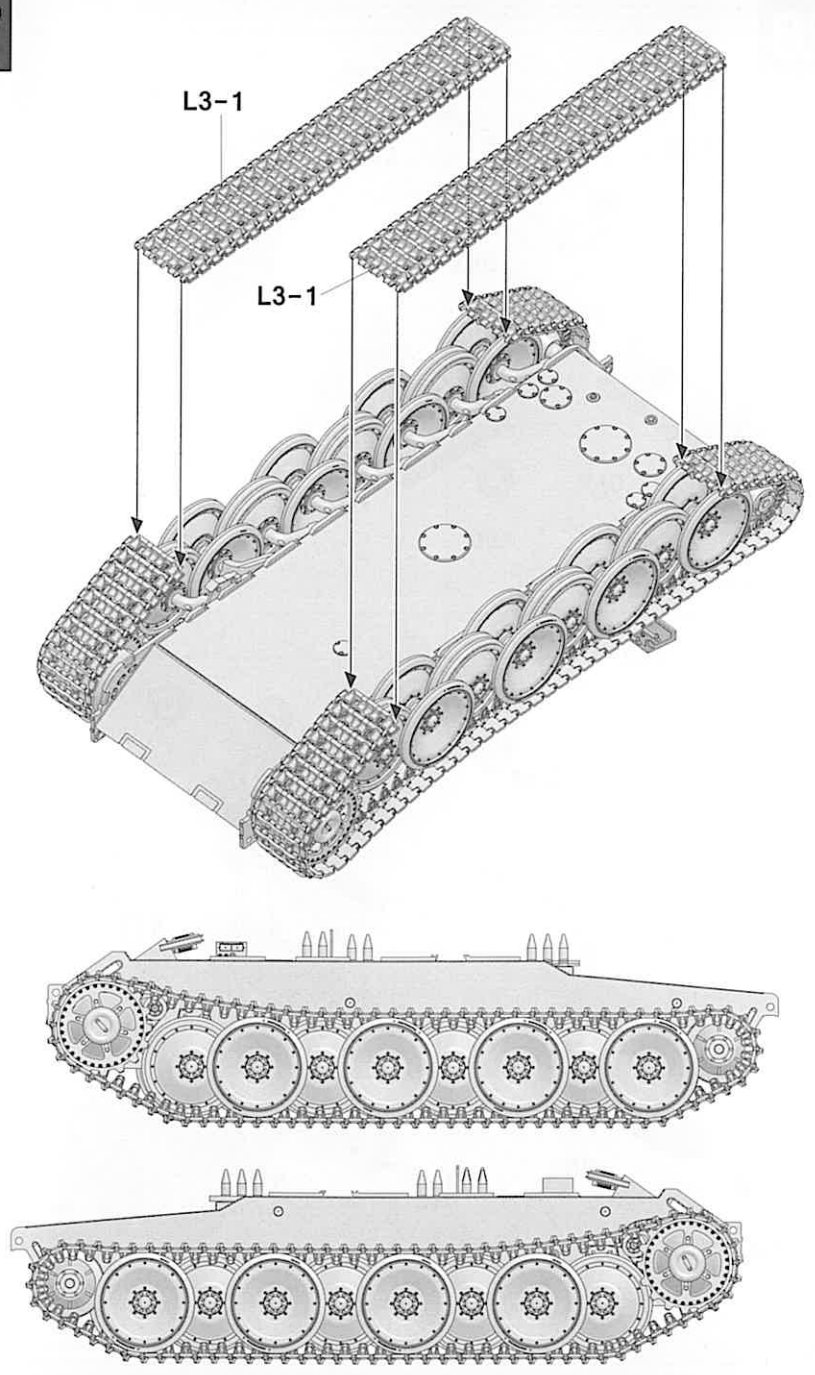
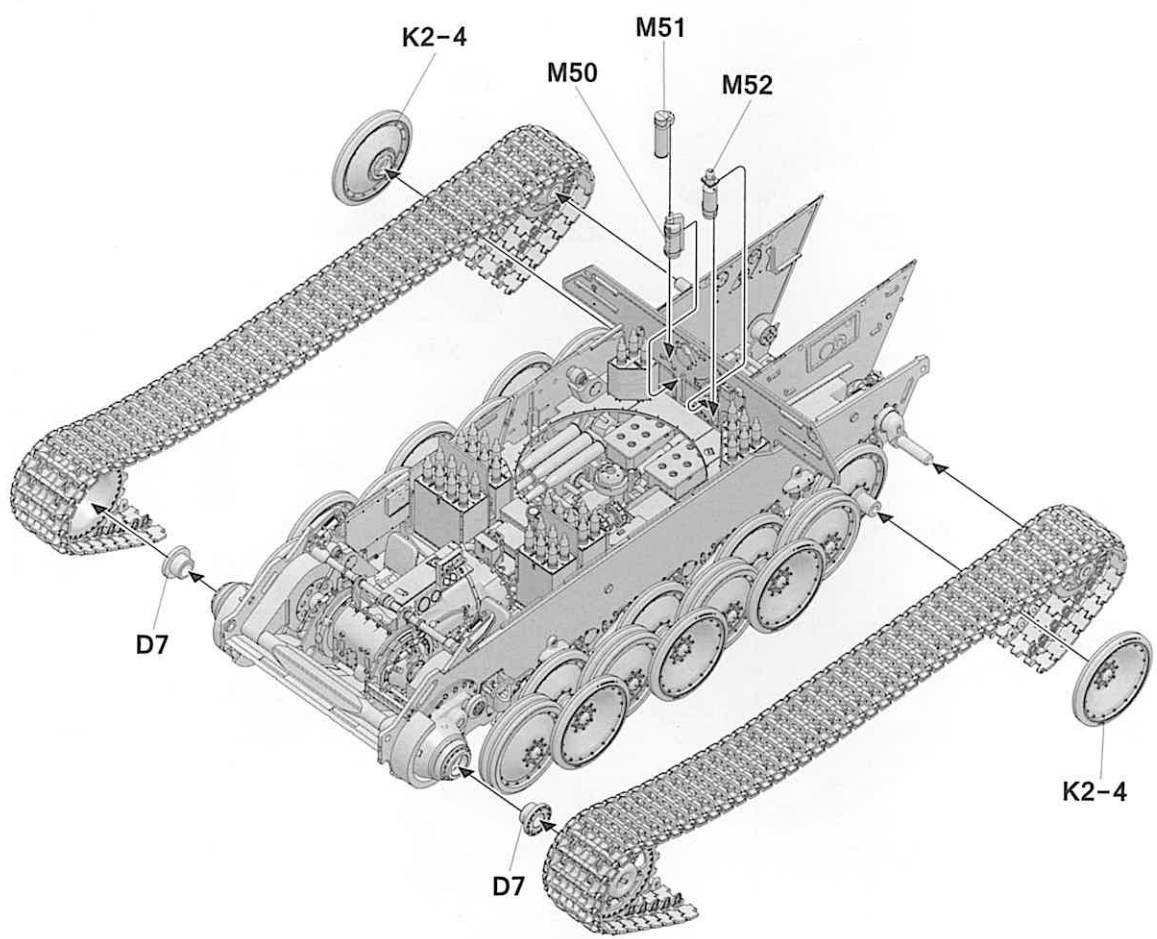


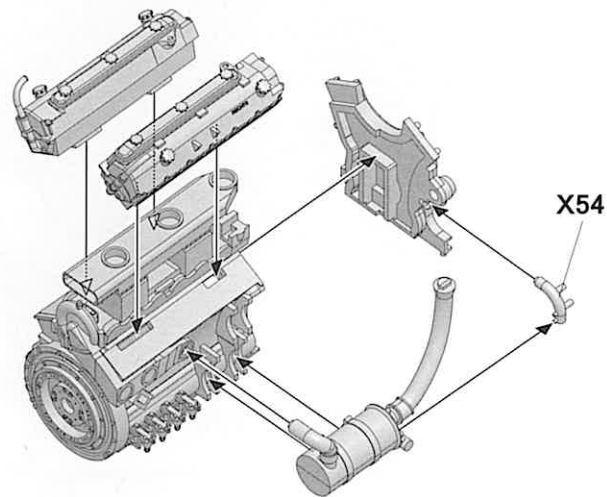
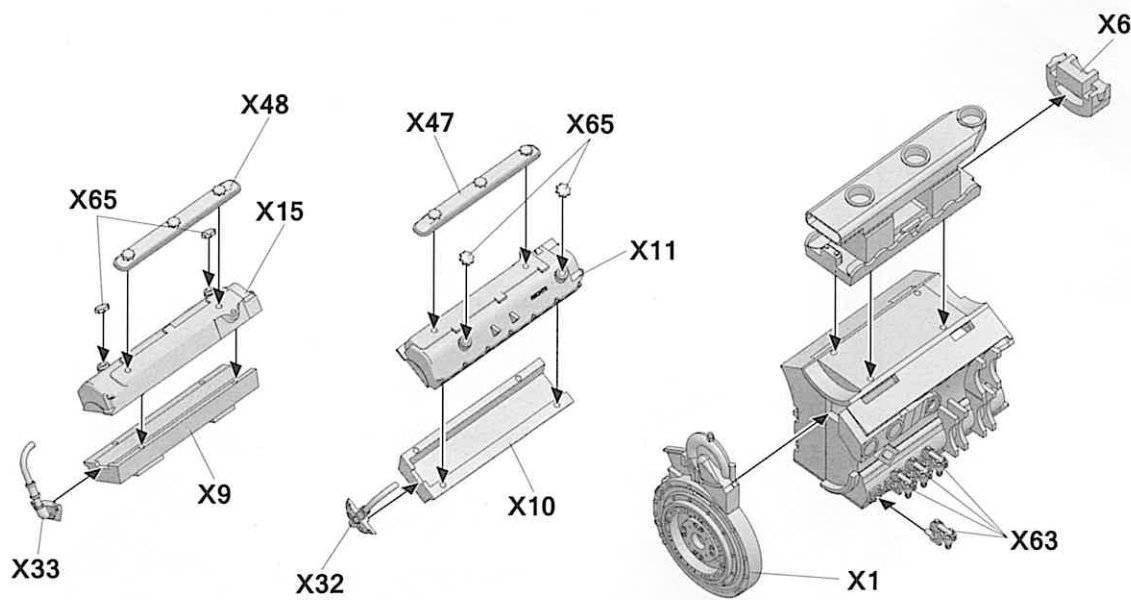
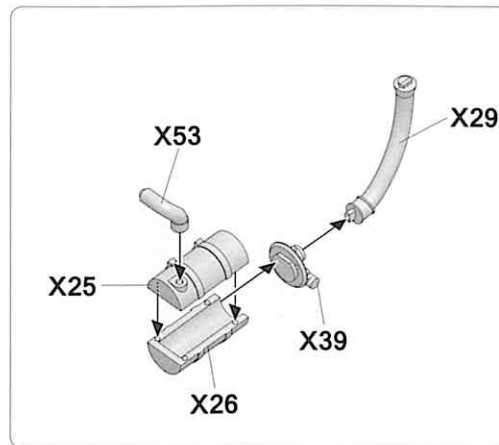
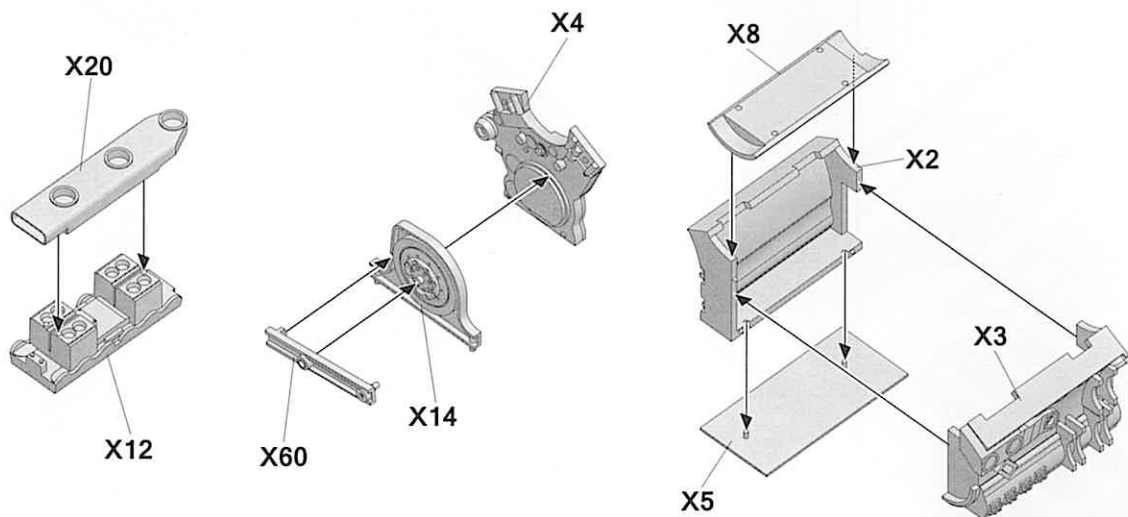
Make 2

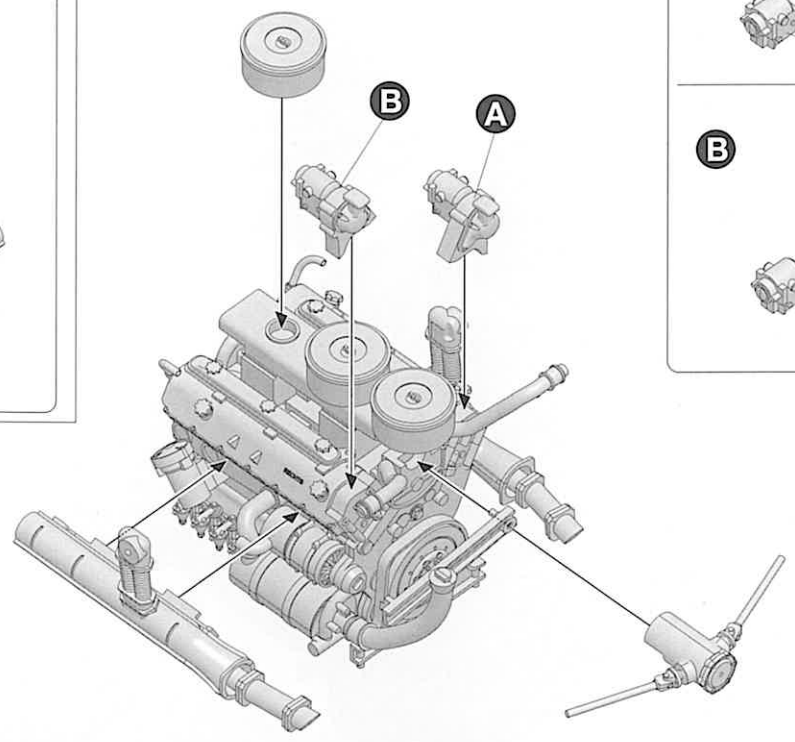
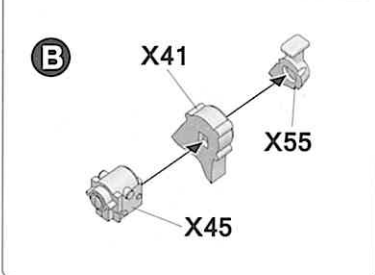
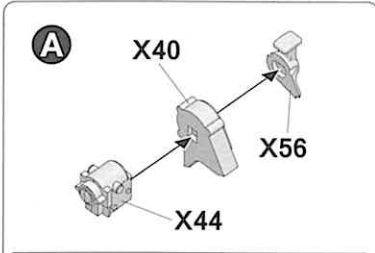
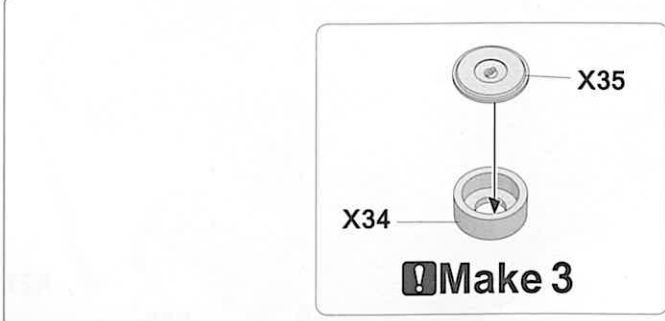
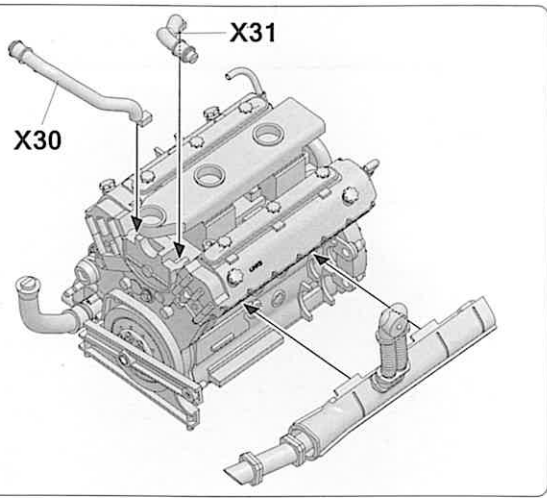
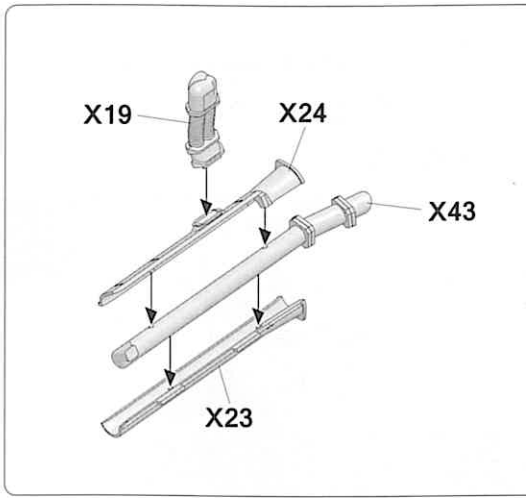
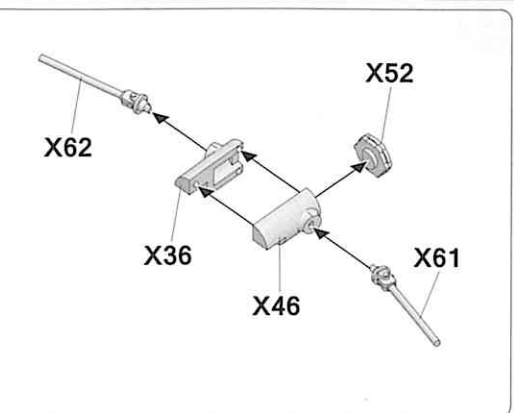
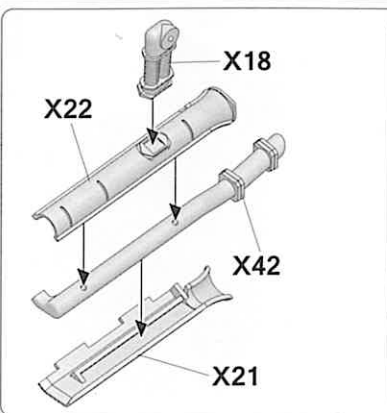
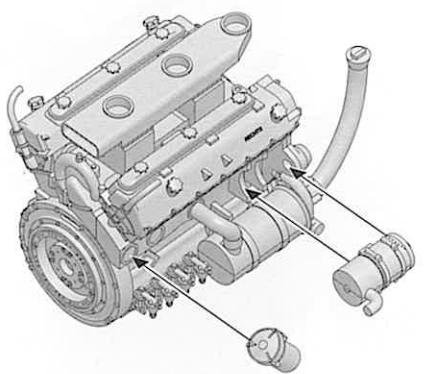
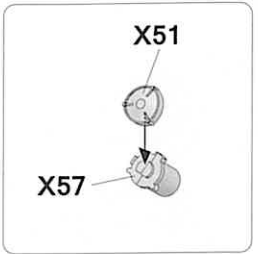
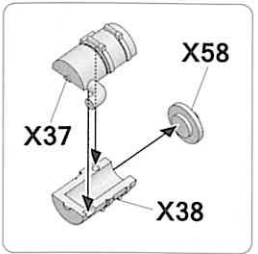


Make 2

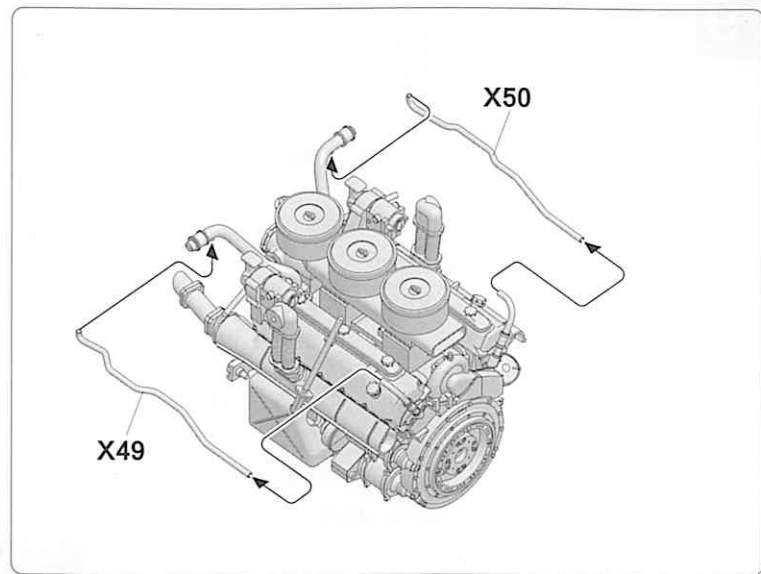
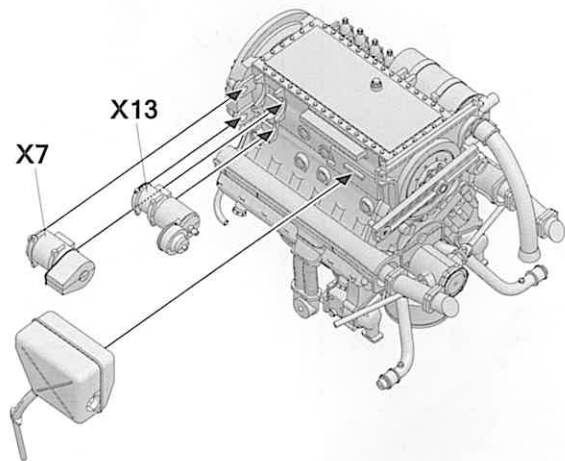
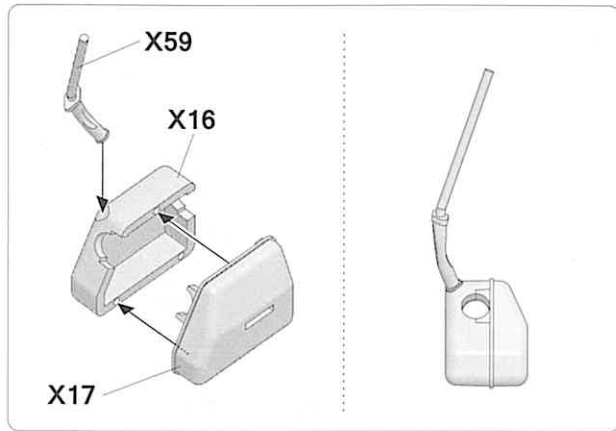




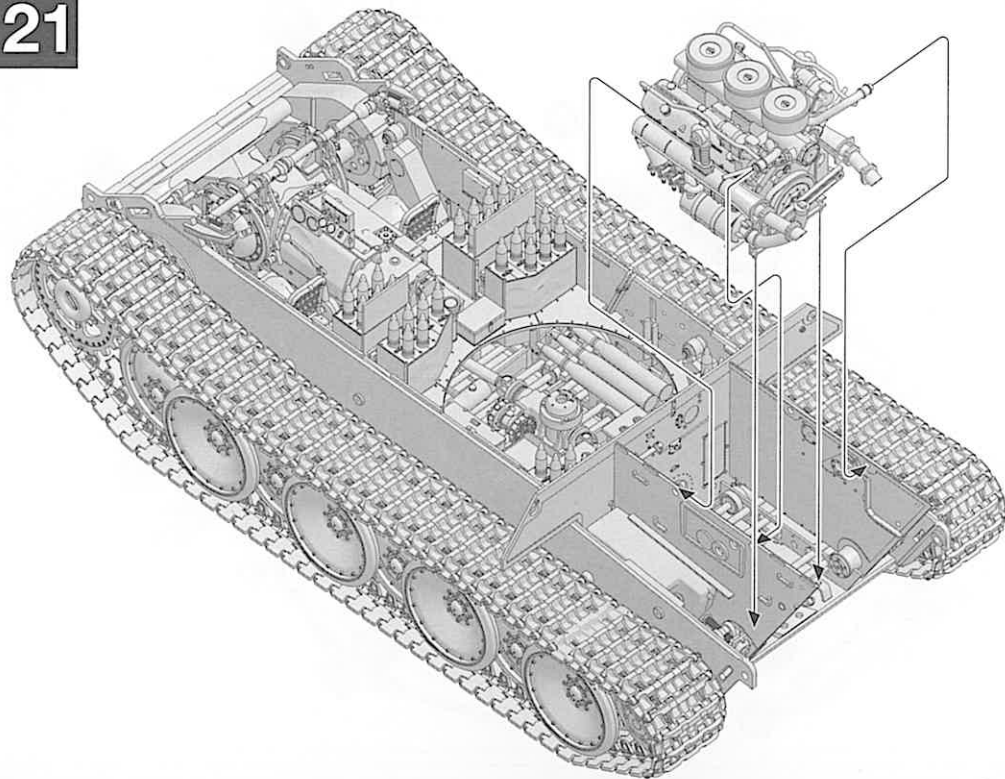




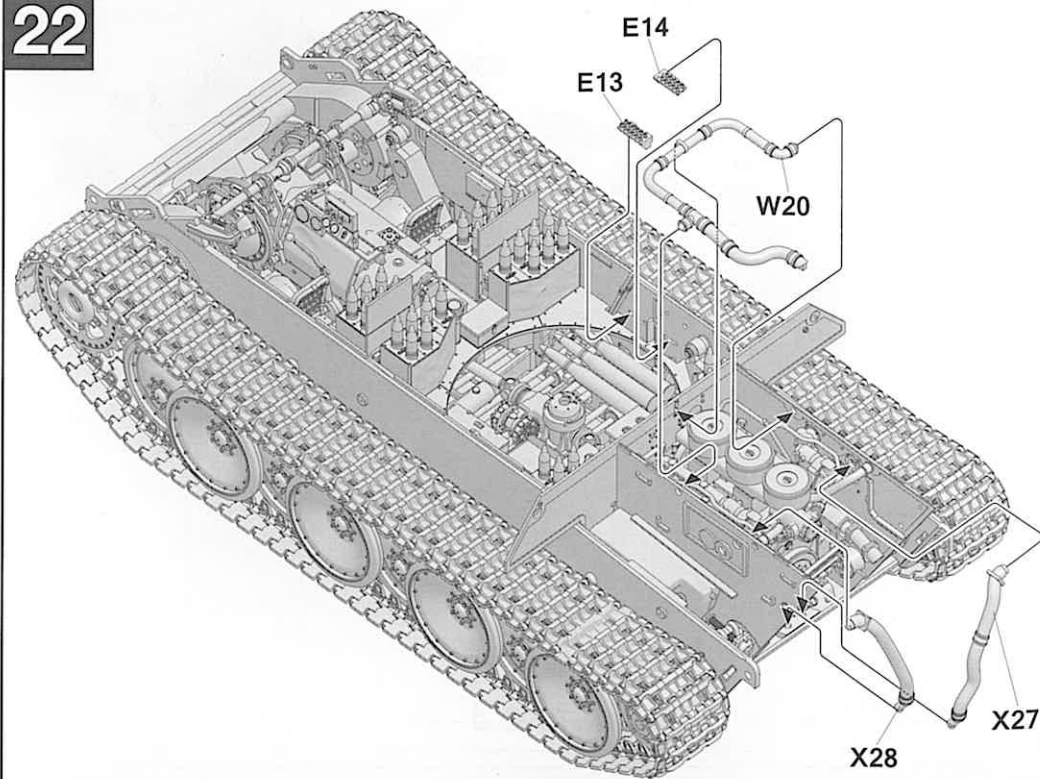
20



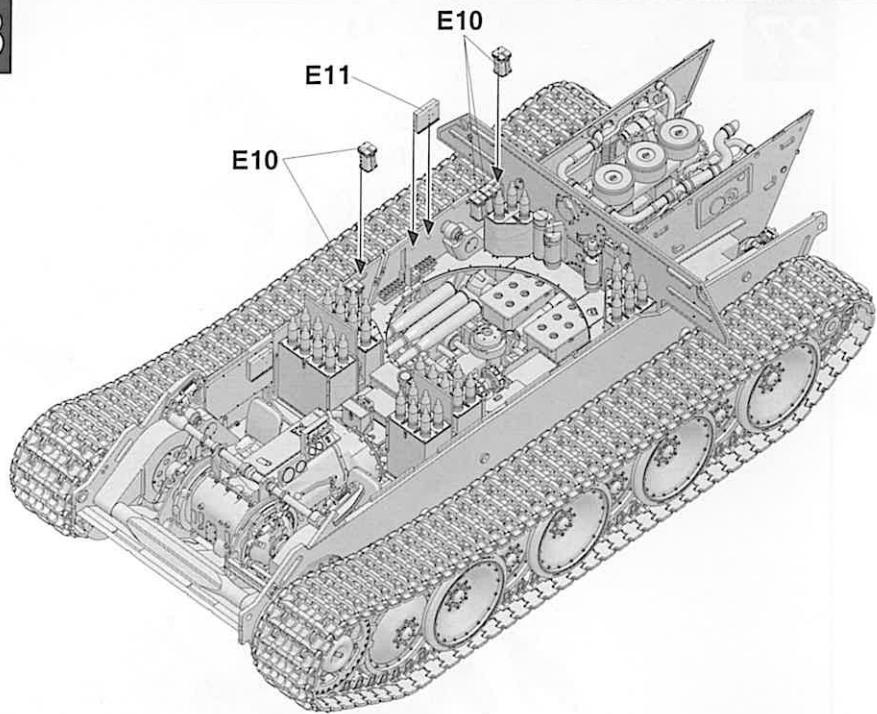
21



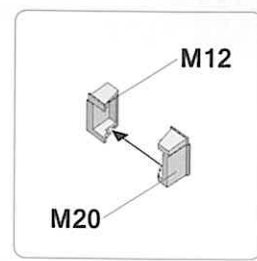
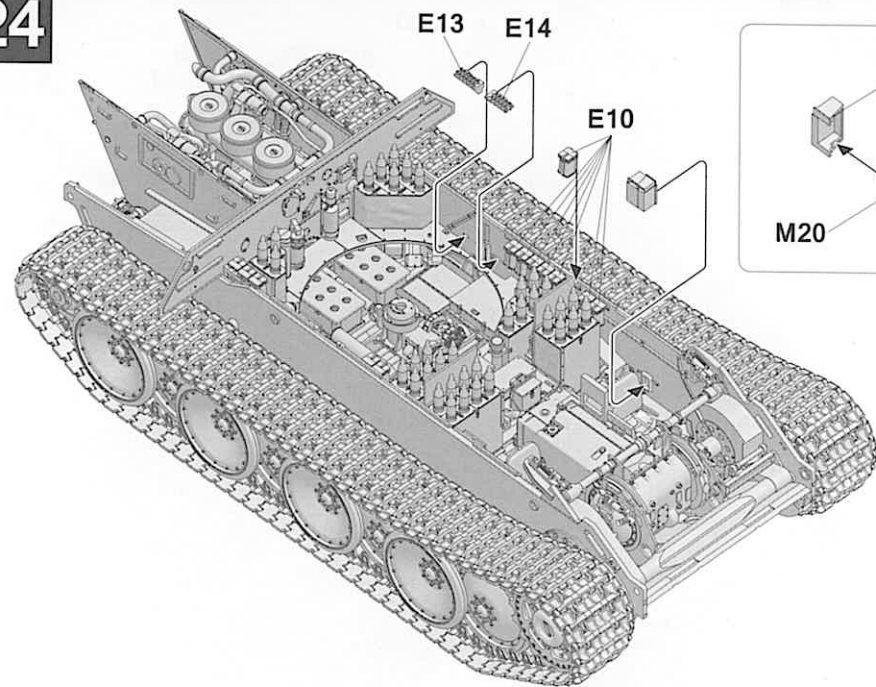
22



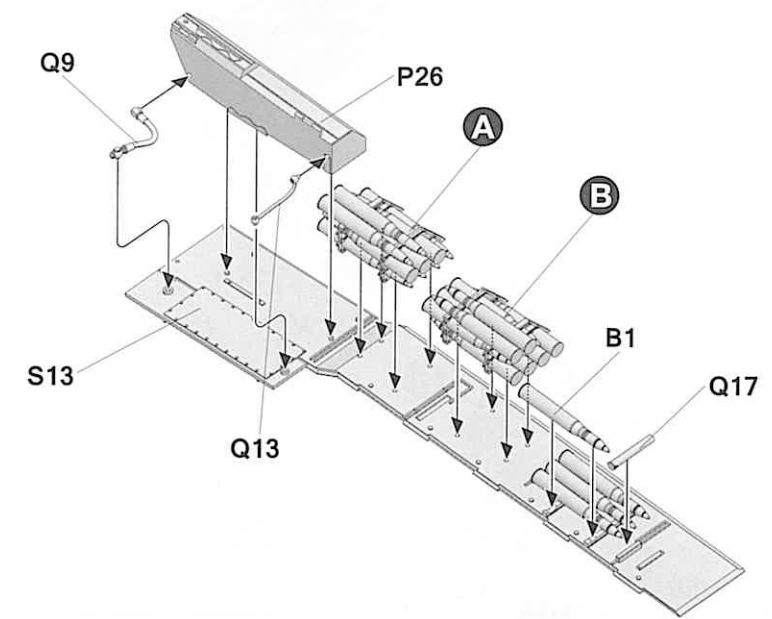
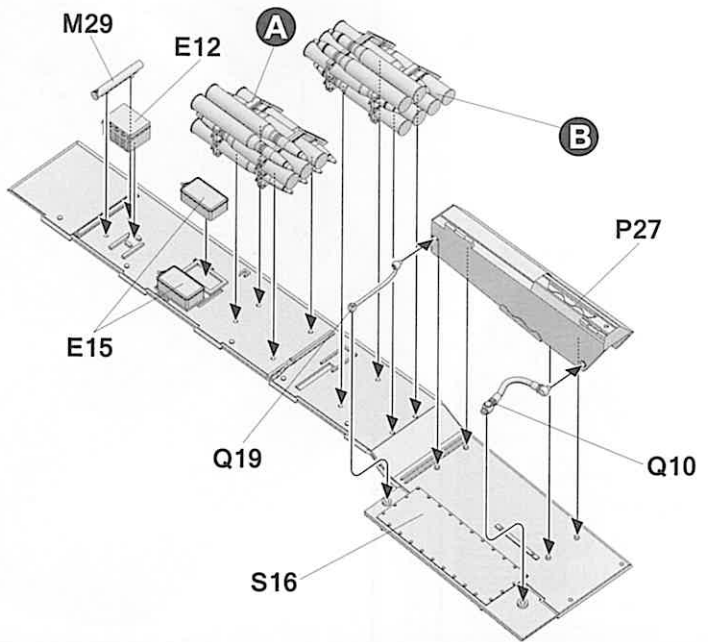
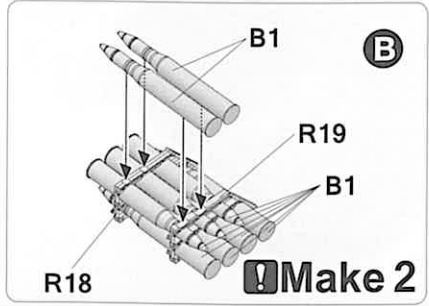
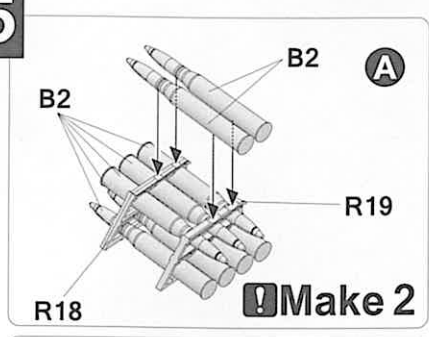
23

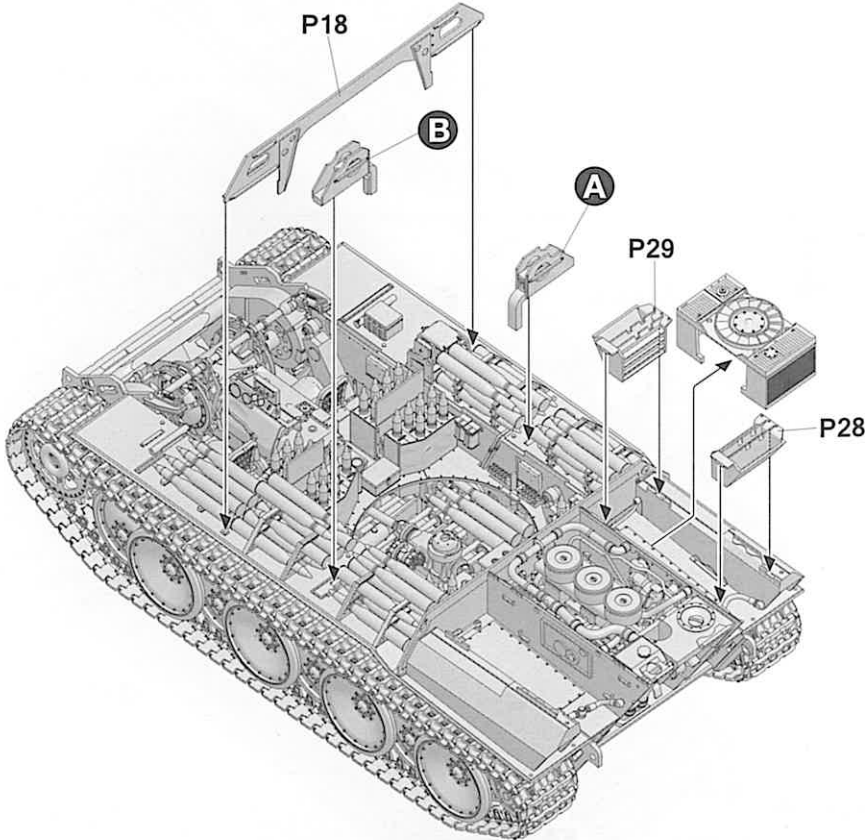
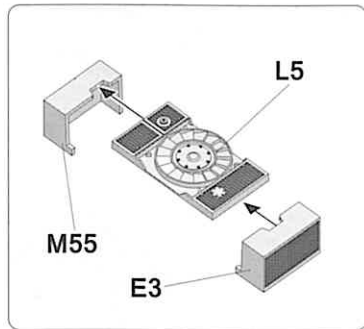
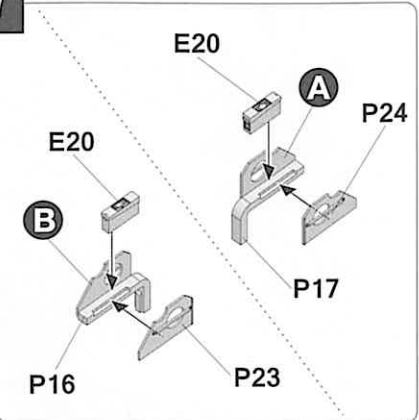
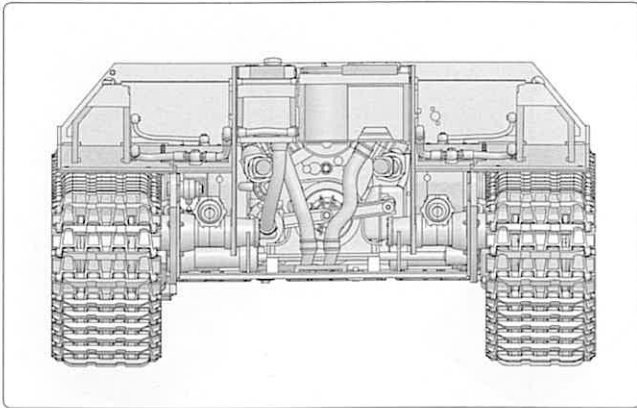
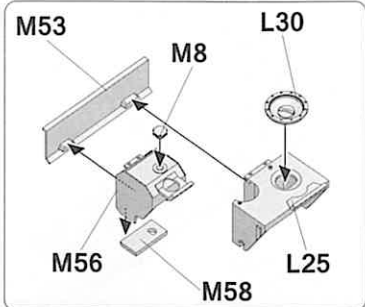
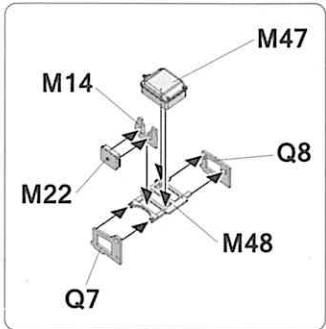
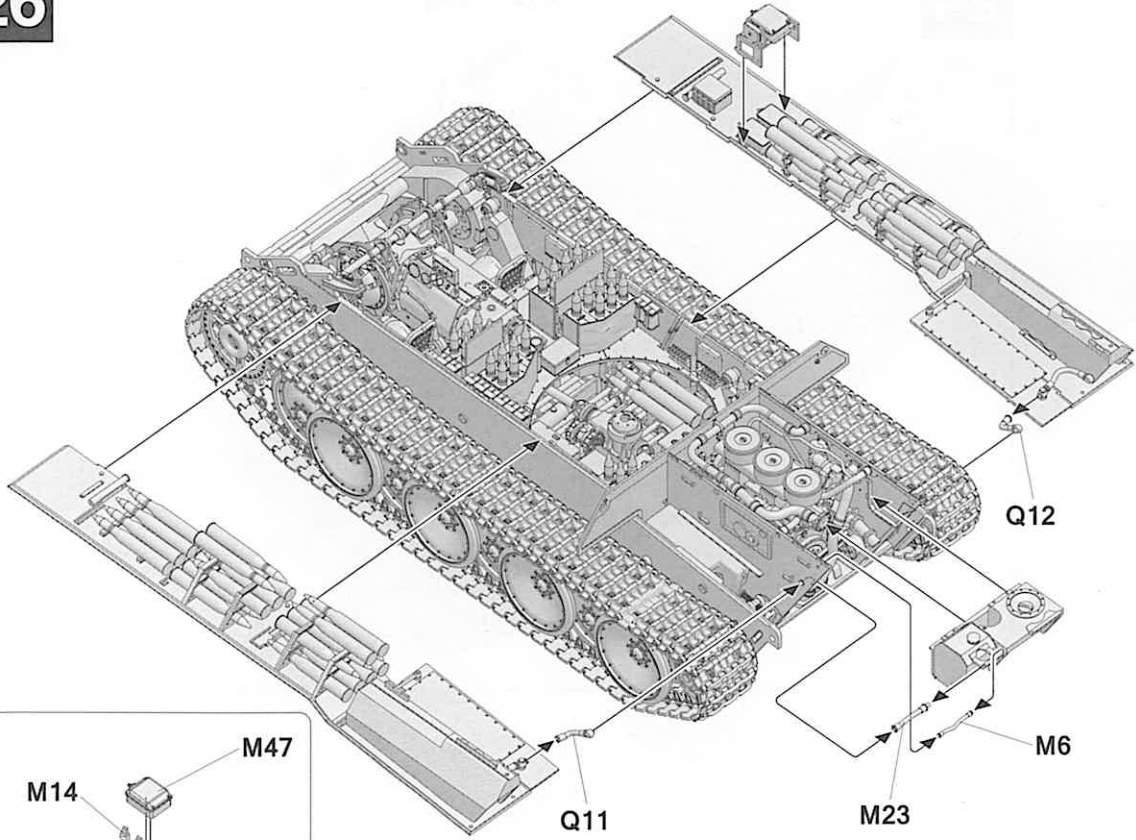


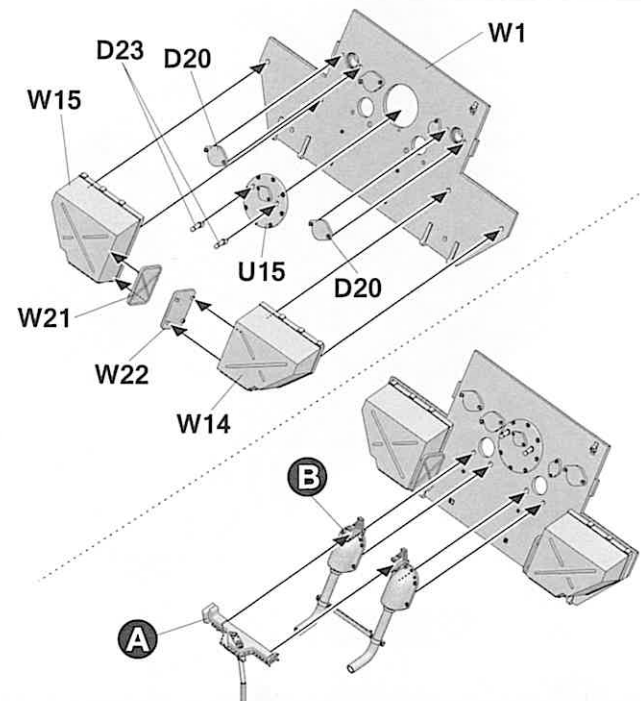
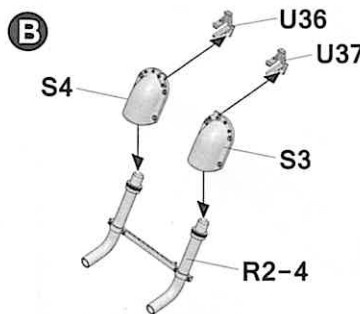
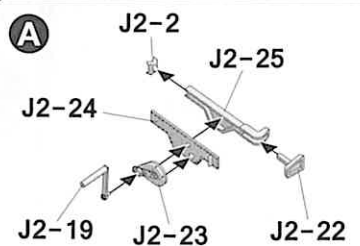
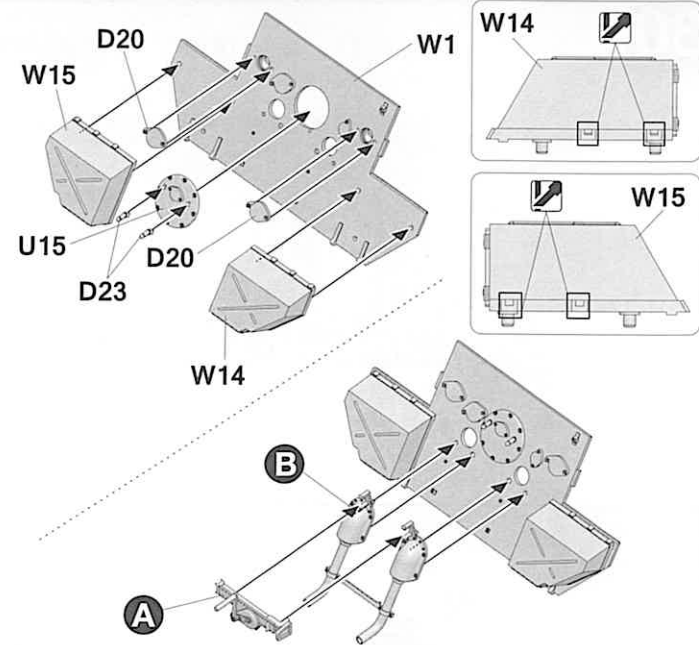
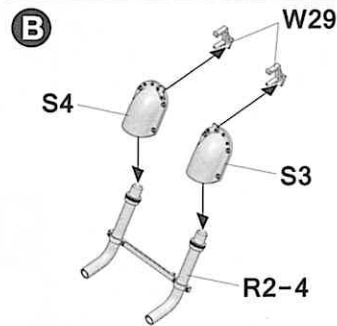
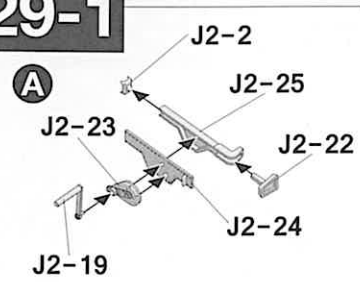
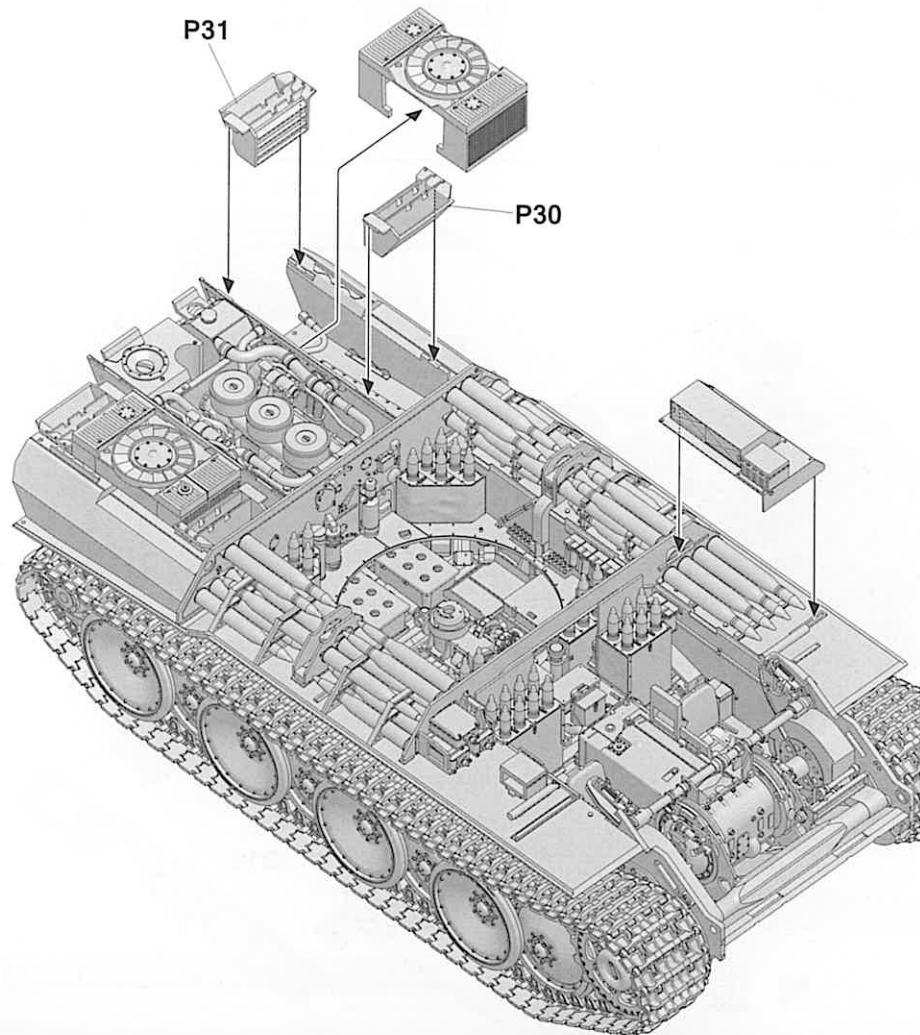
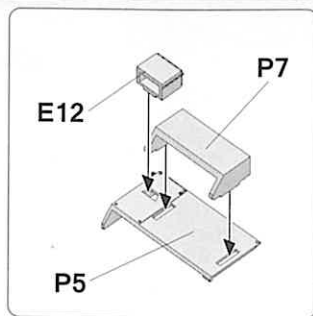
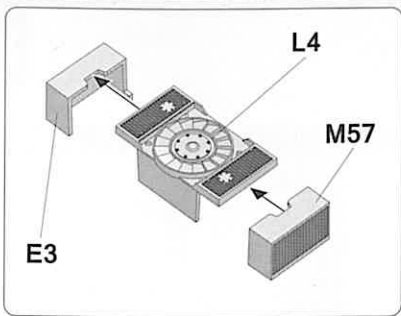
24

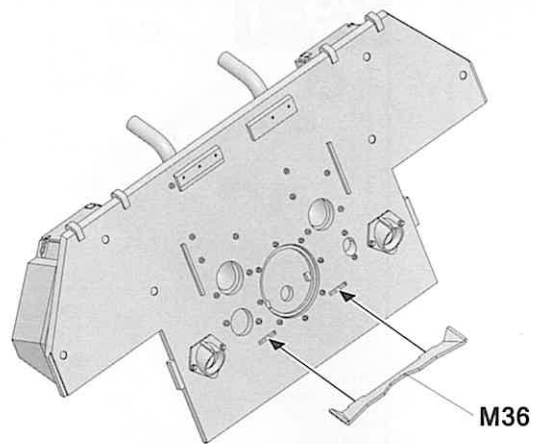


25

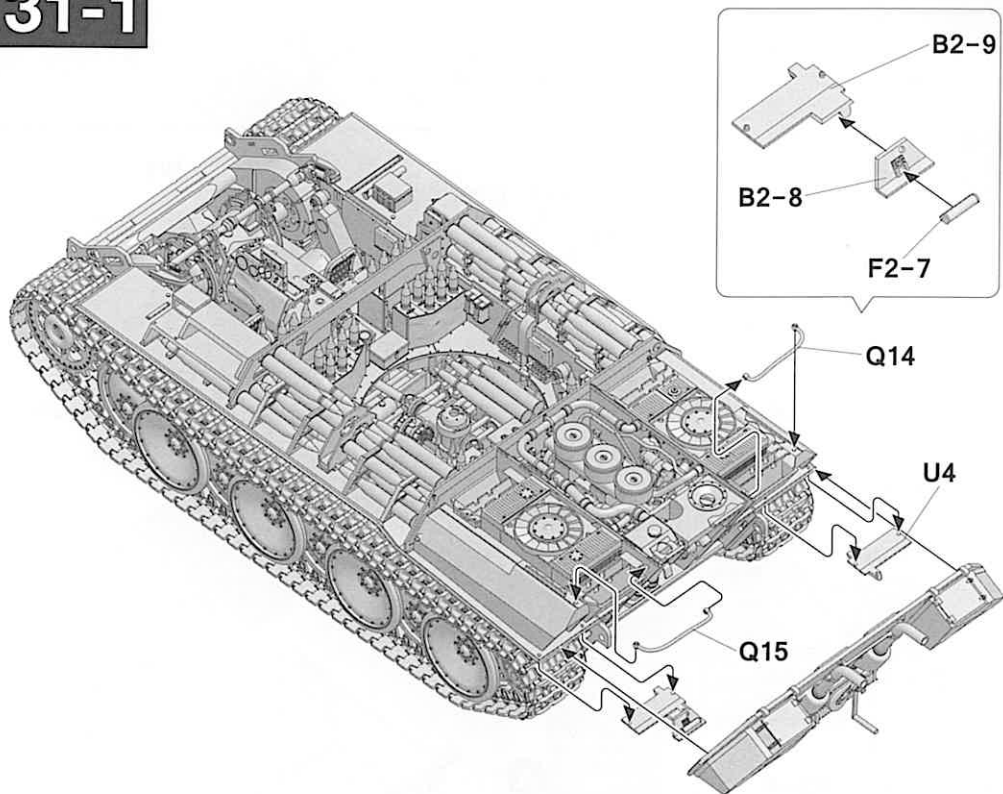




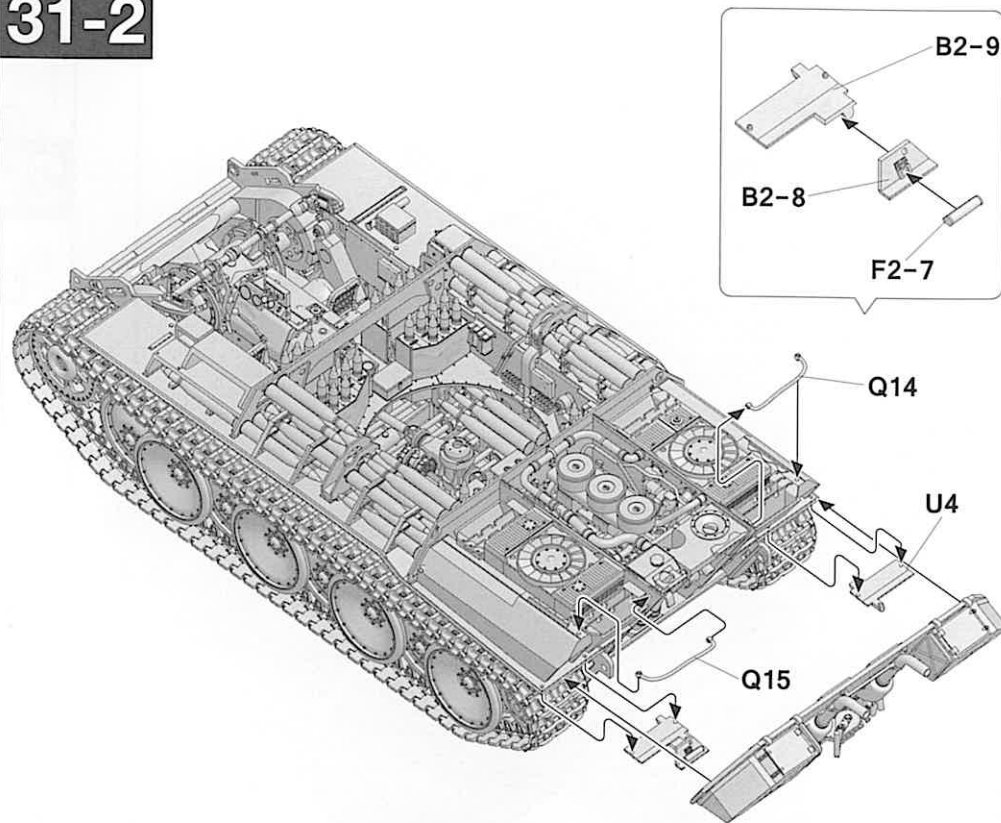




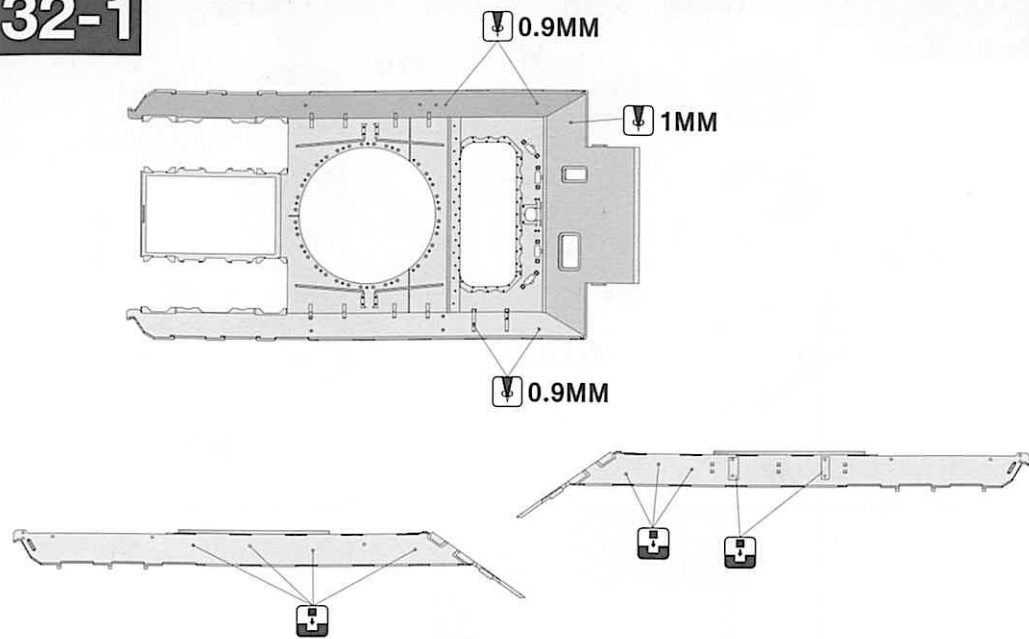
31-1



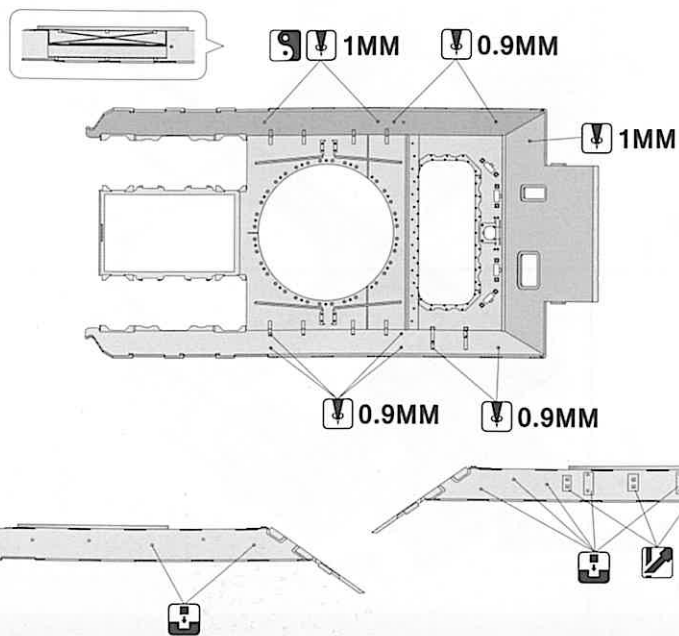
31-2



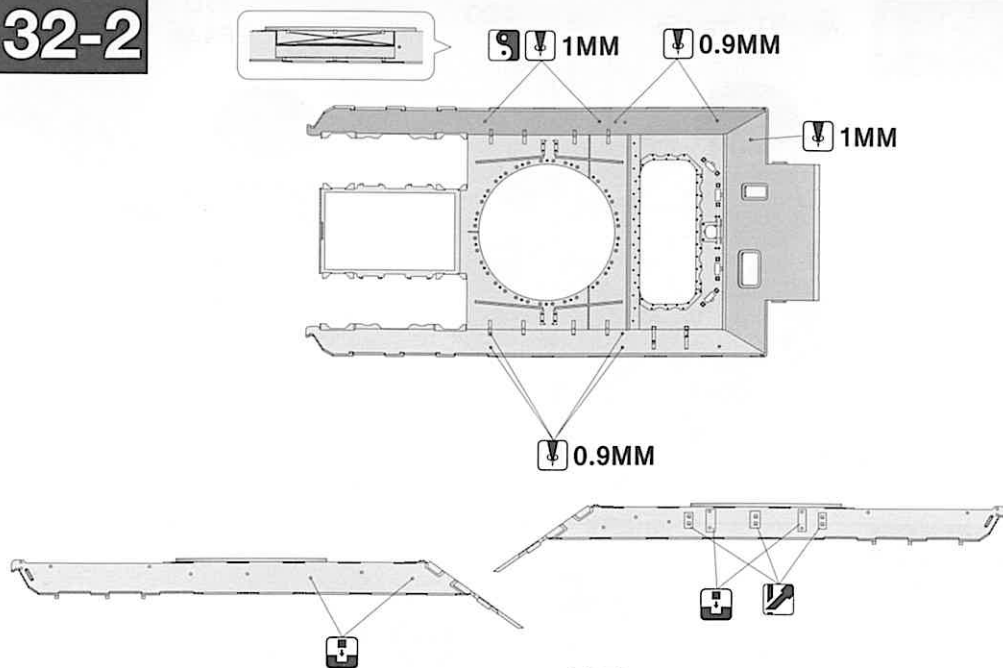
32-1



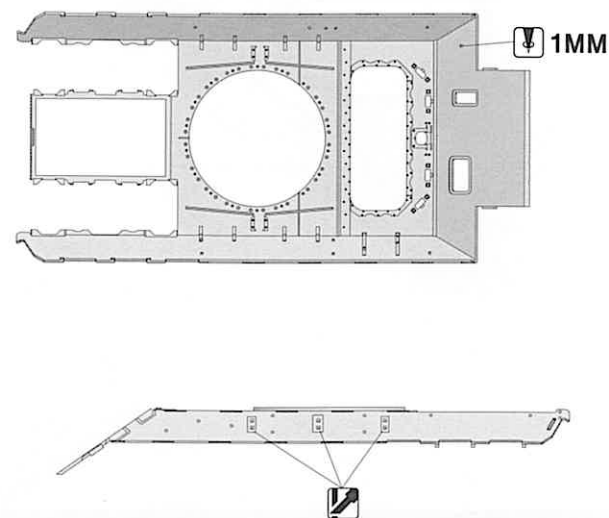
Optional



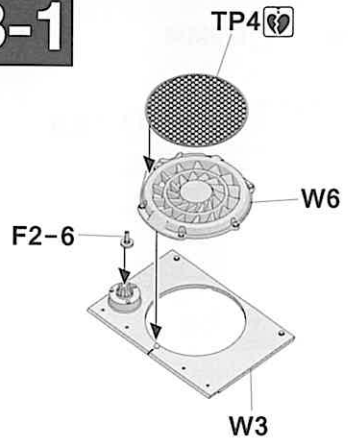
32-2



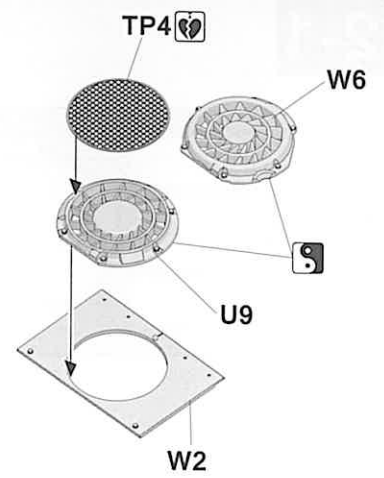
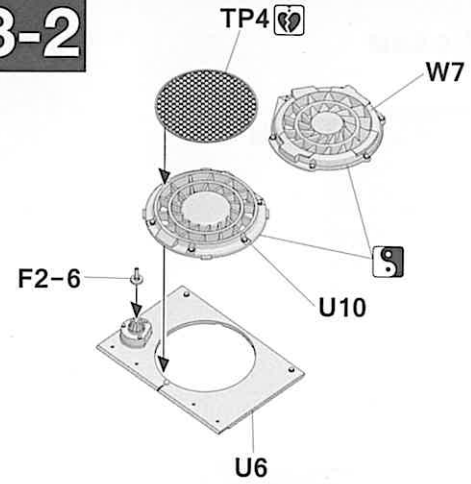
Optional



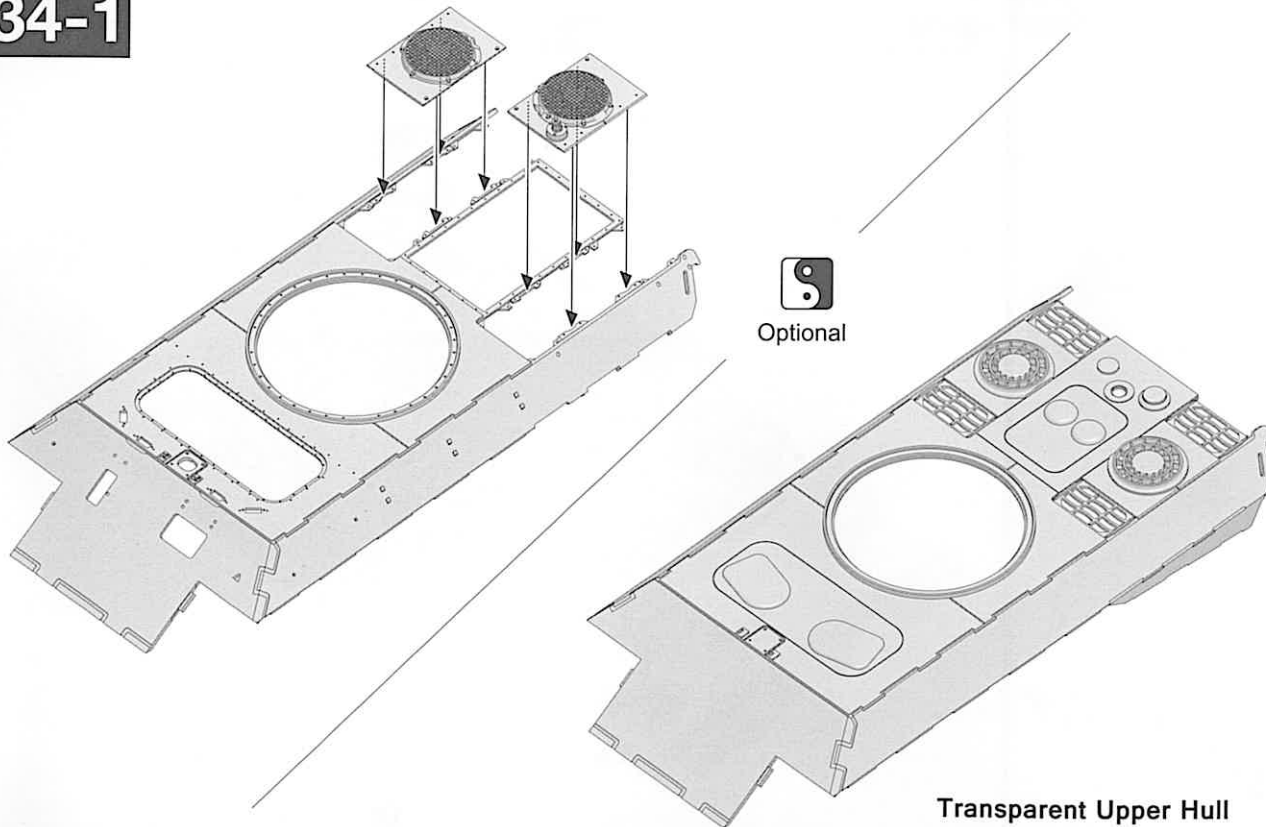
33-1



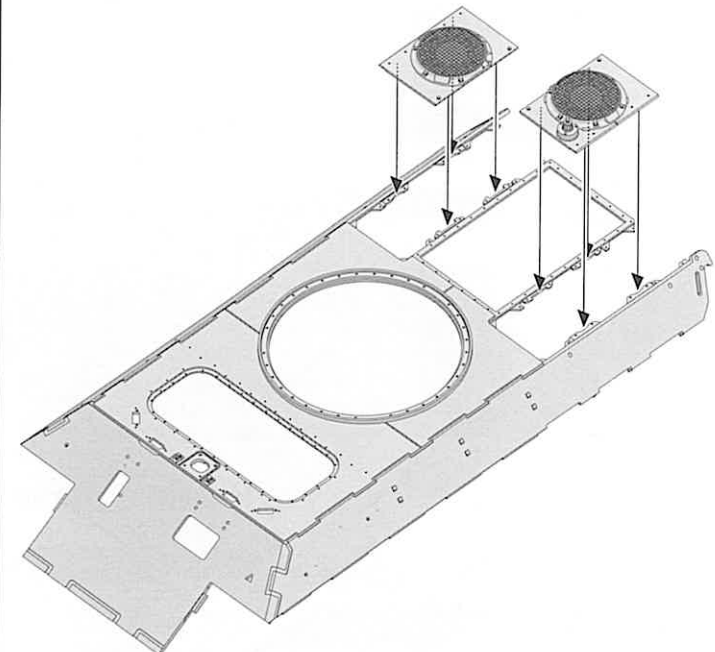
33-2



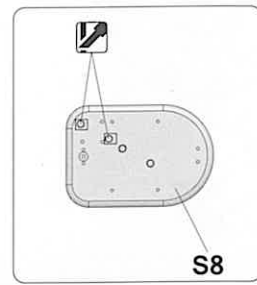
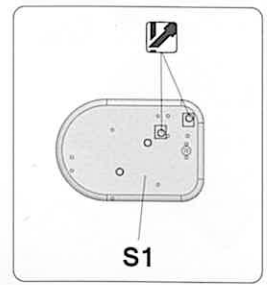
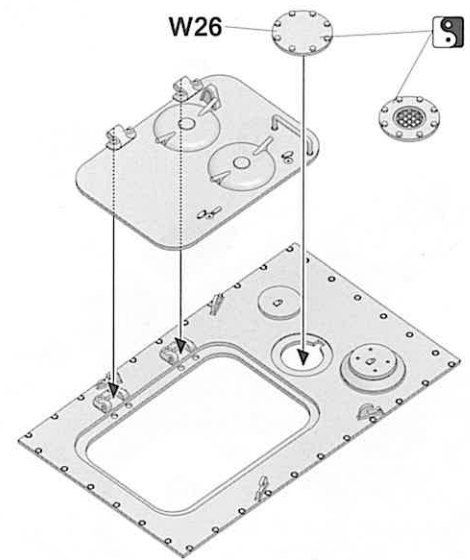
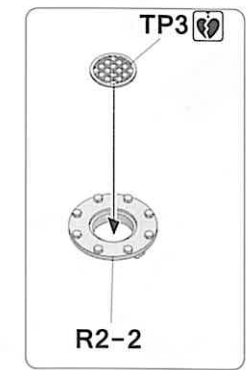
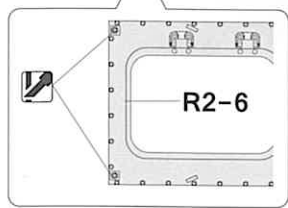
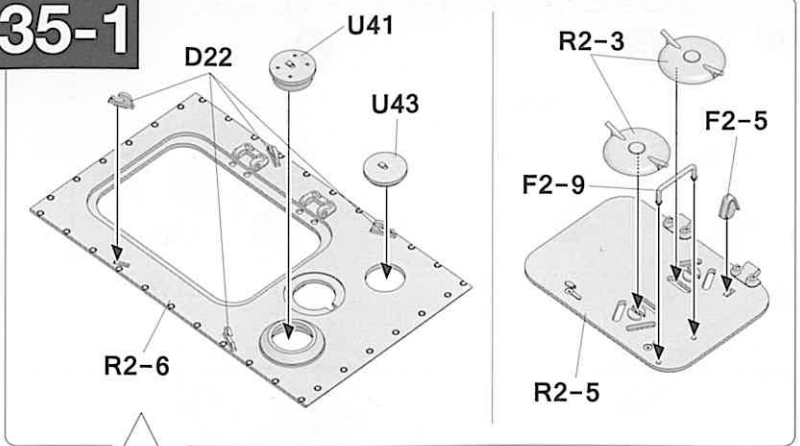
34-1



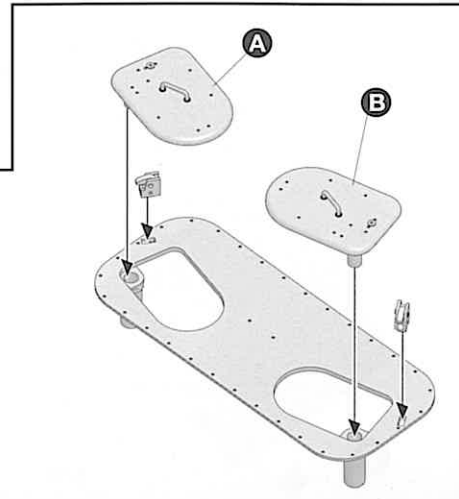
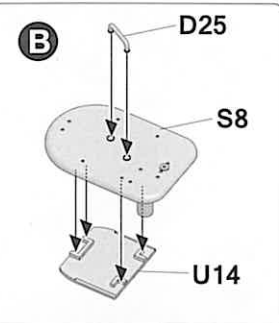
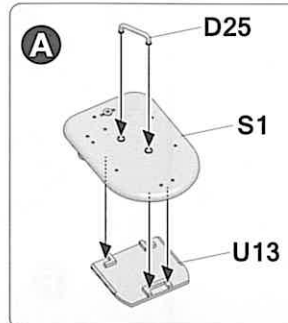
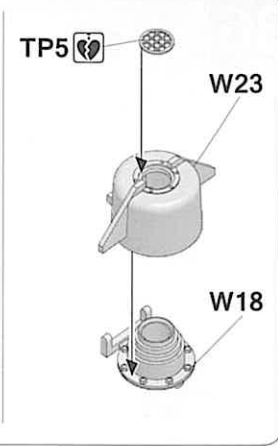
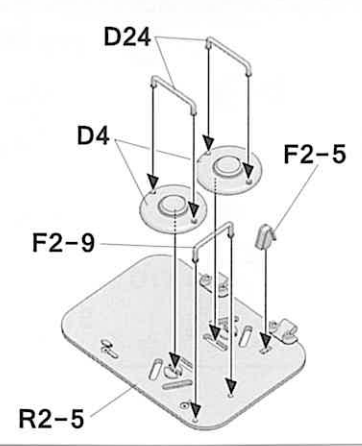
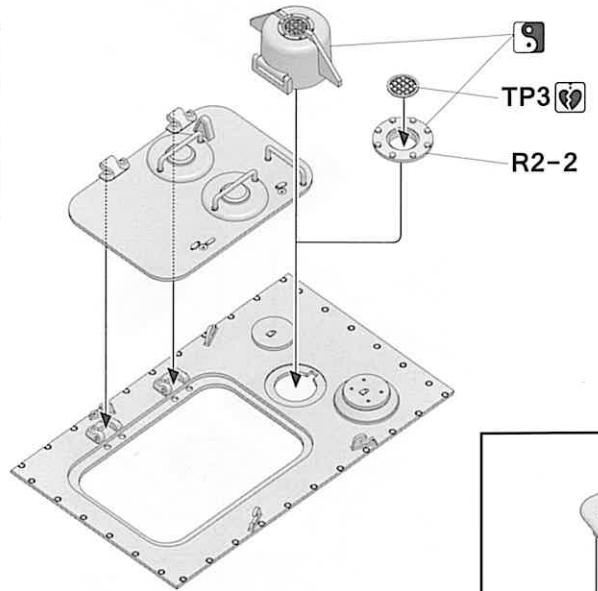
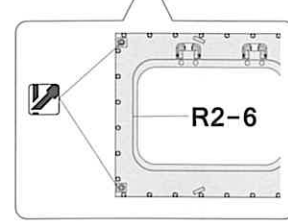
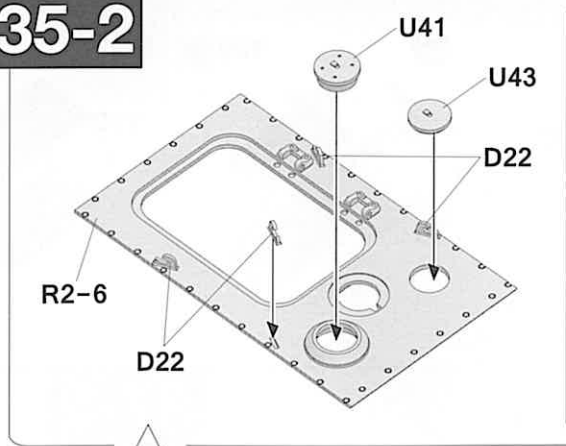
34-2



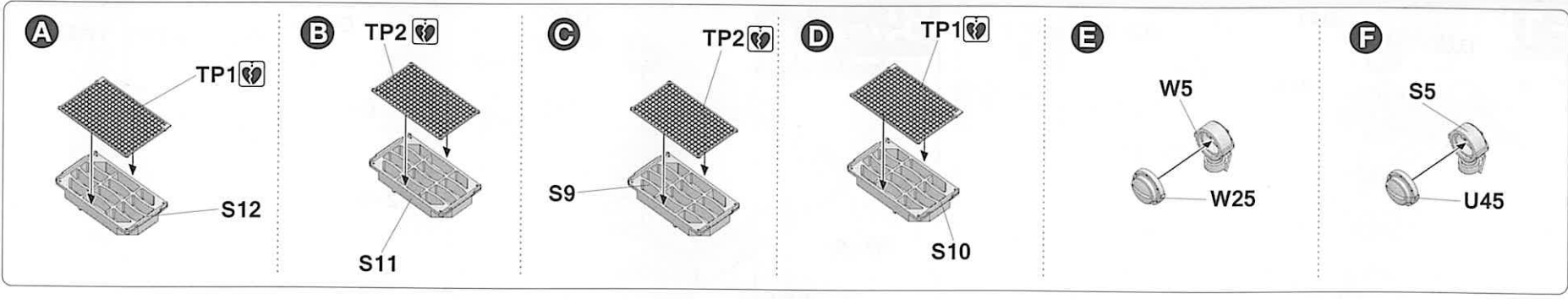
35-1



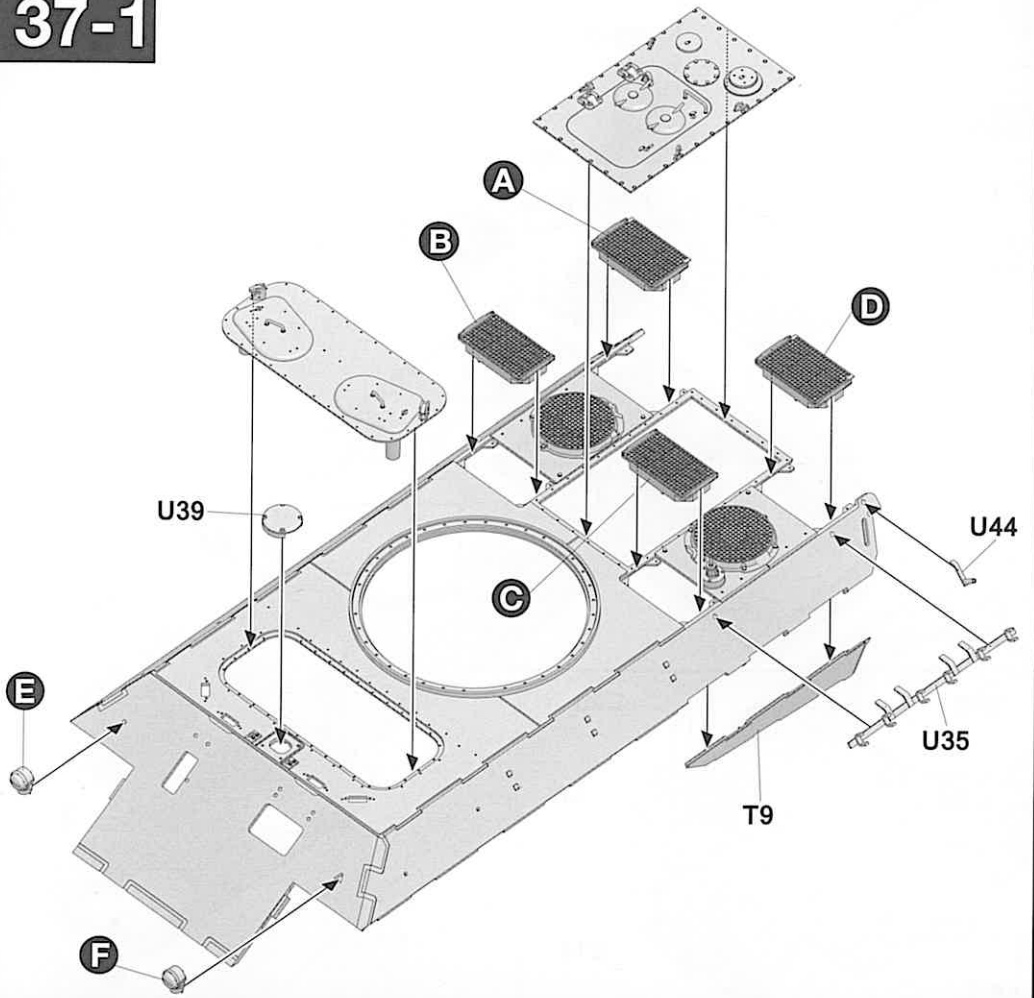
35-2



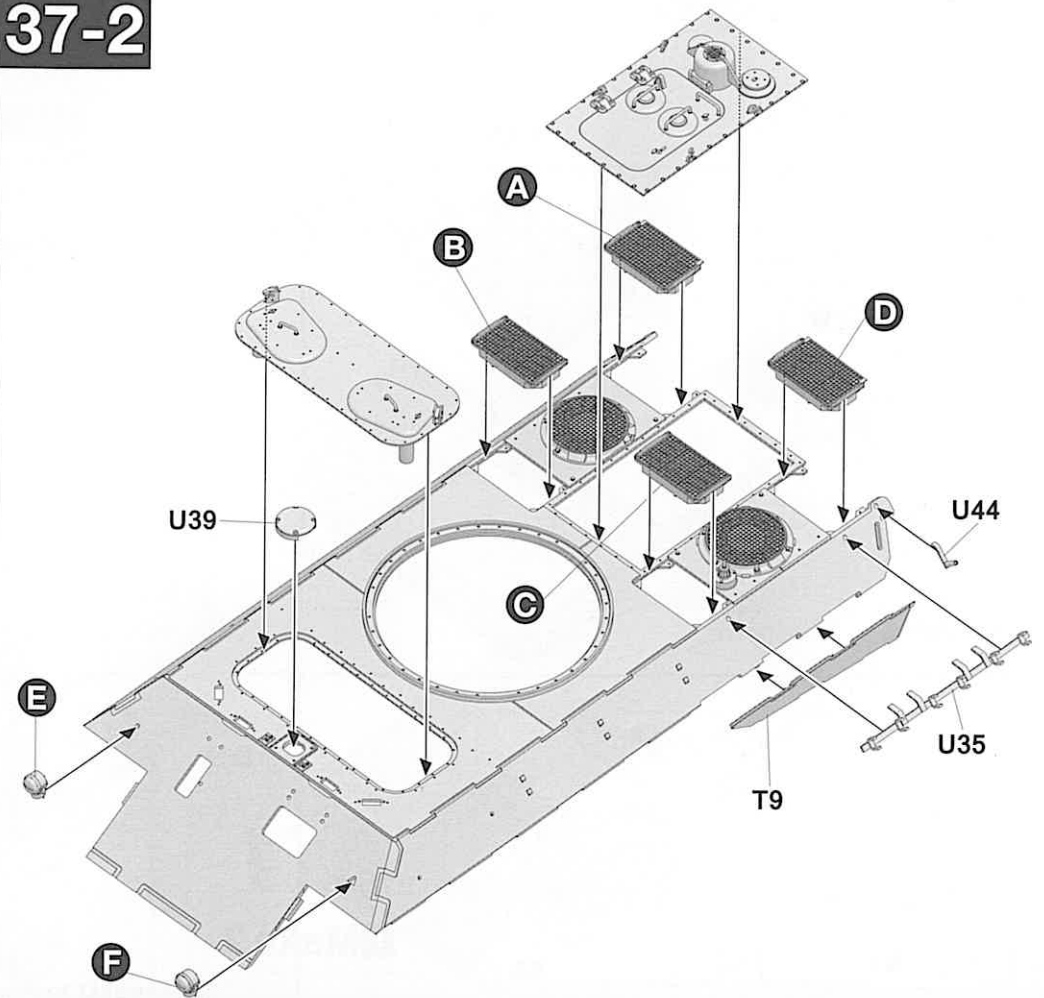
36

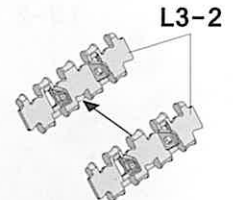
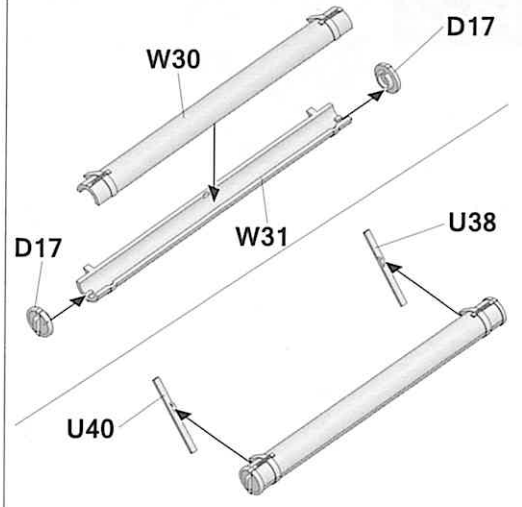
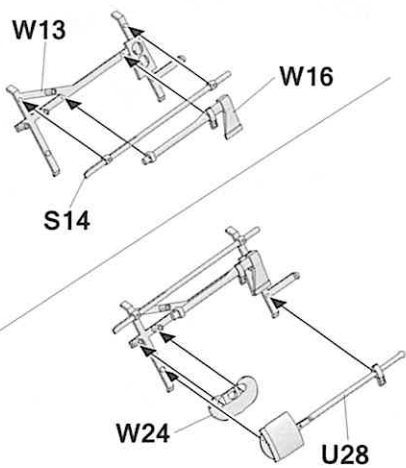
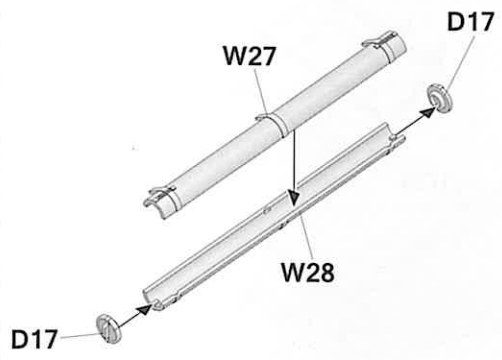
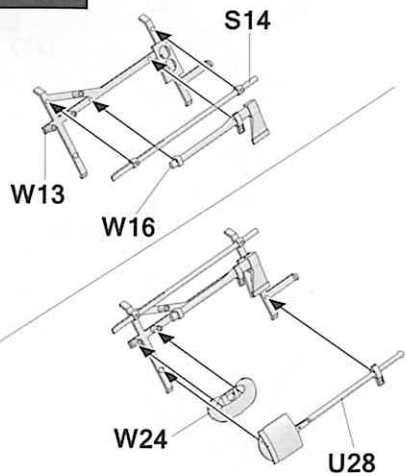


37-1



37-2

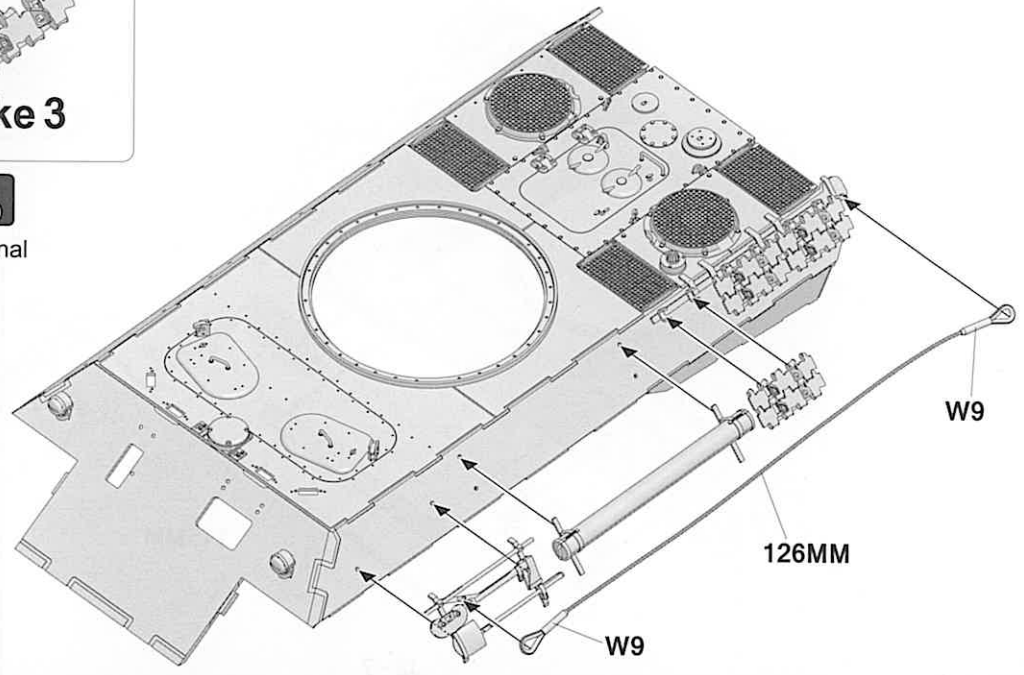
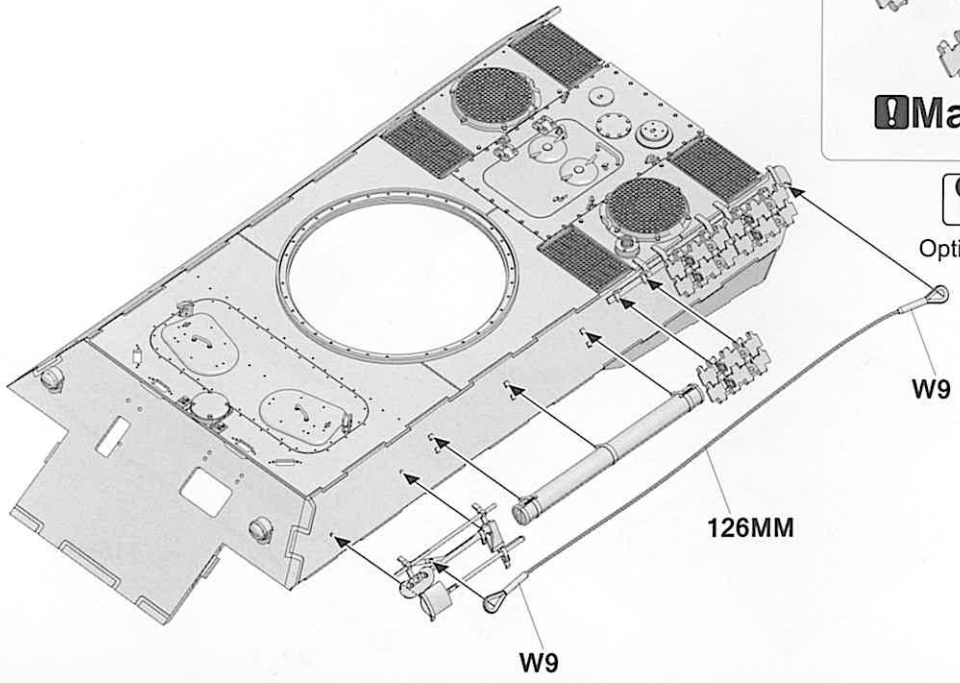


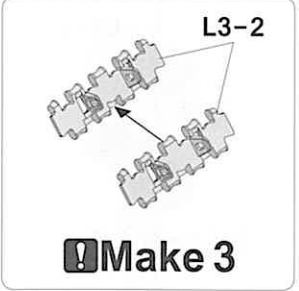
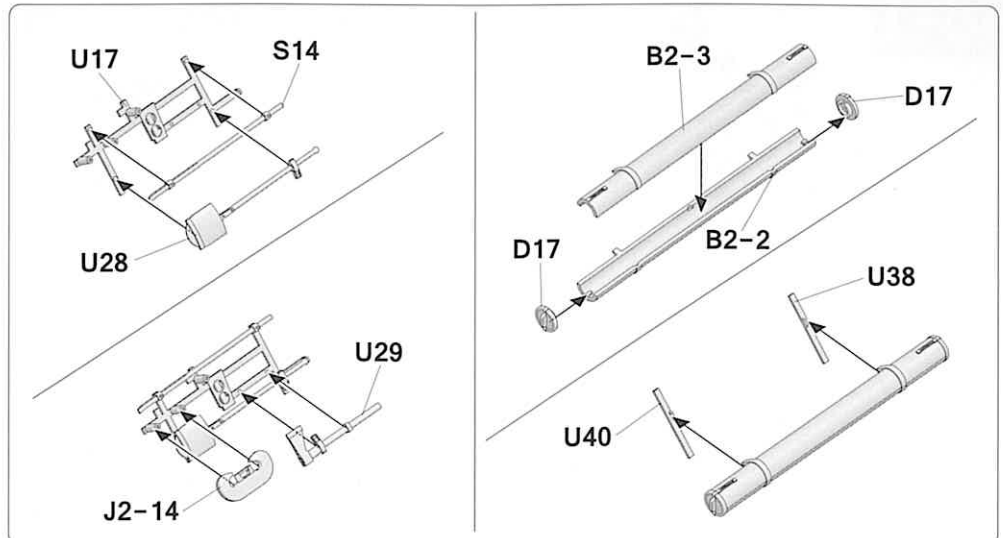
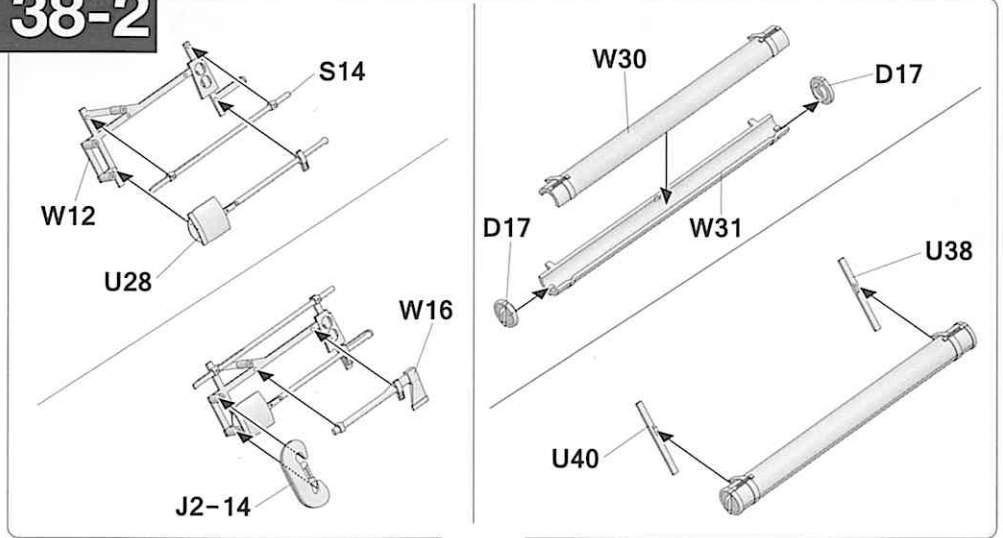


Make 3

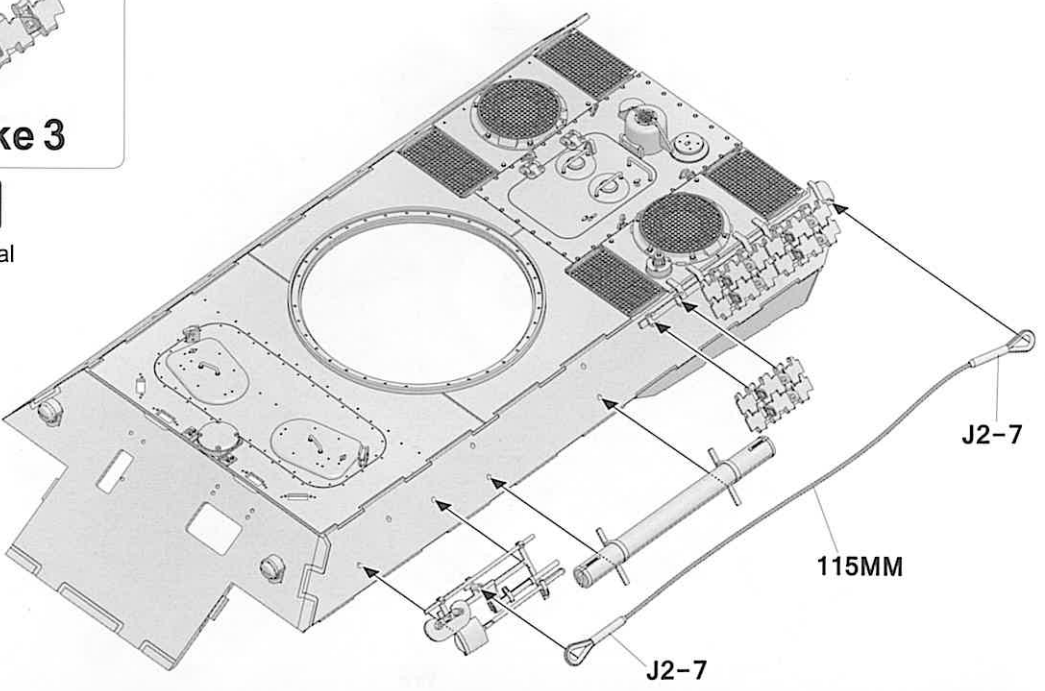
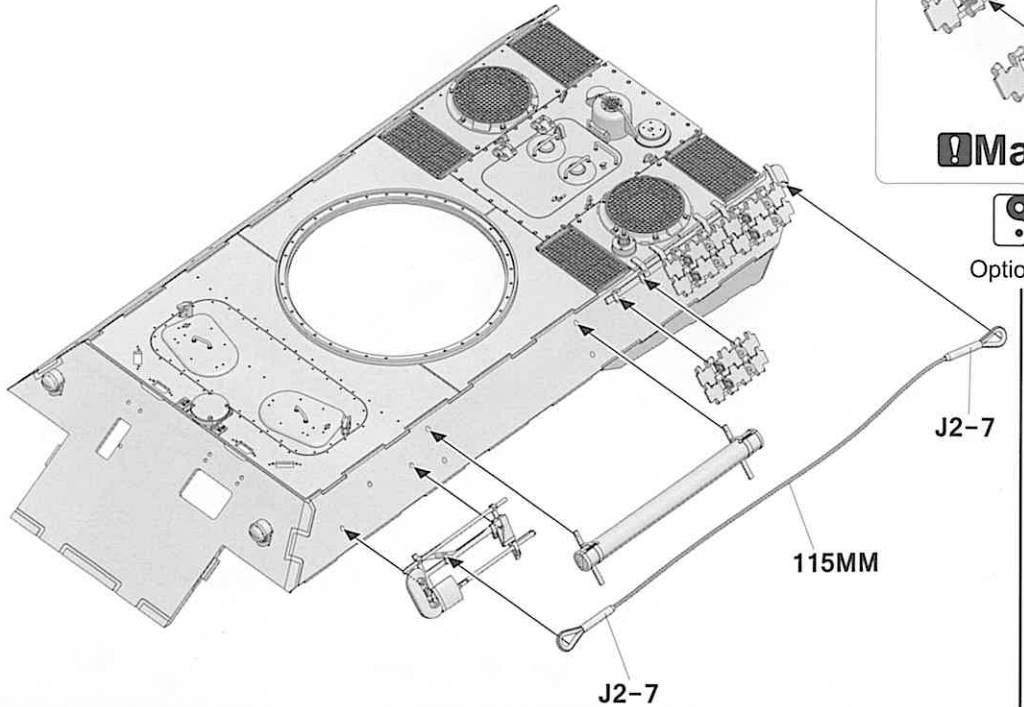


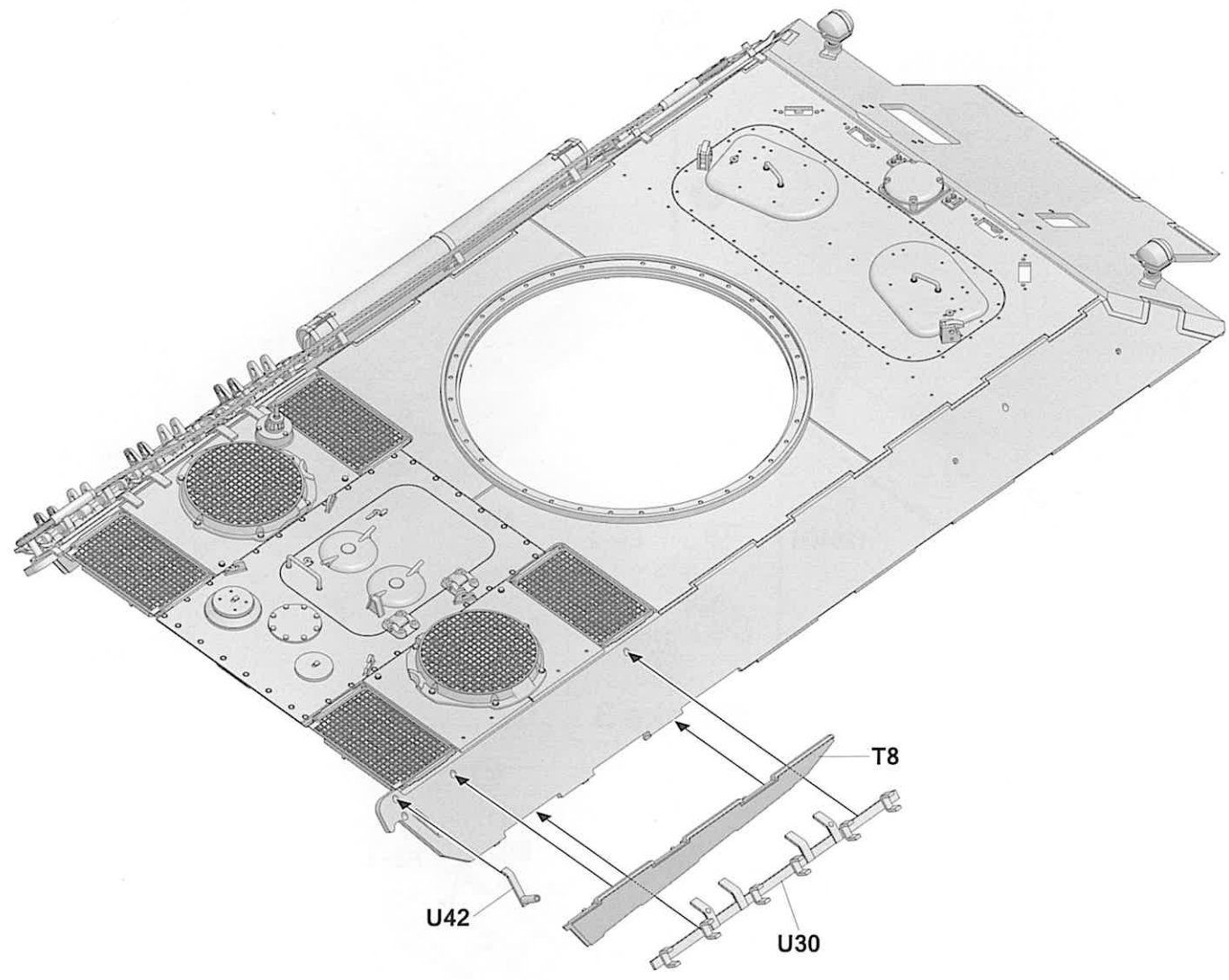
Optional

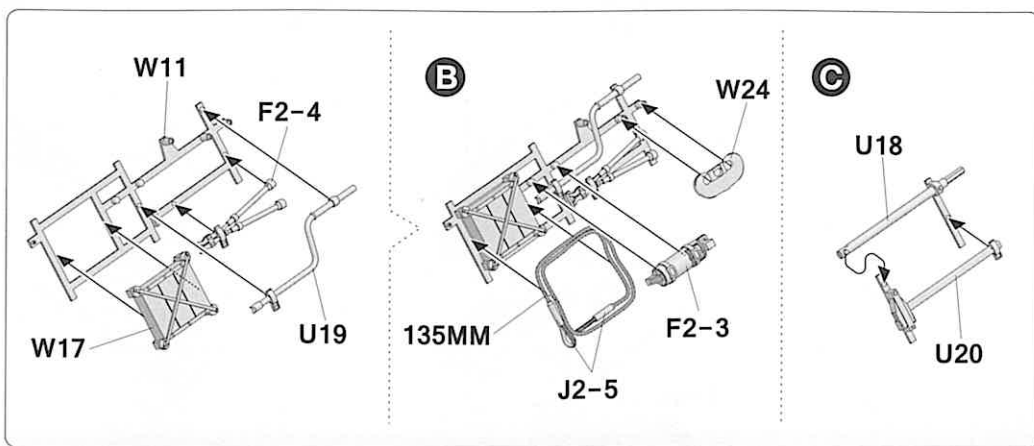
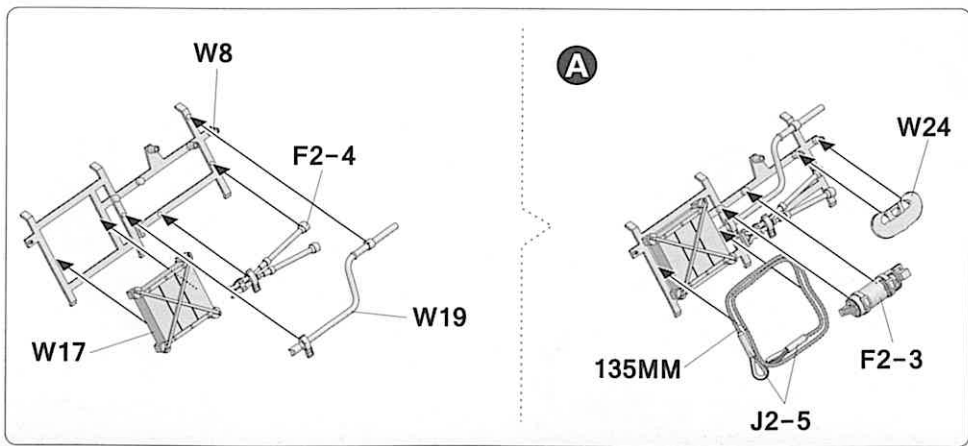
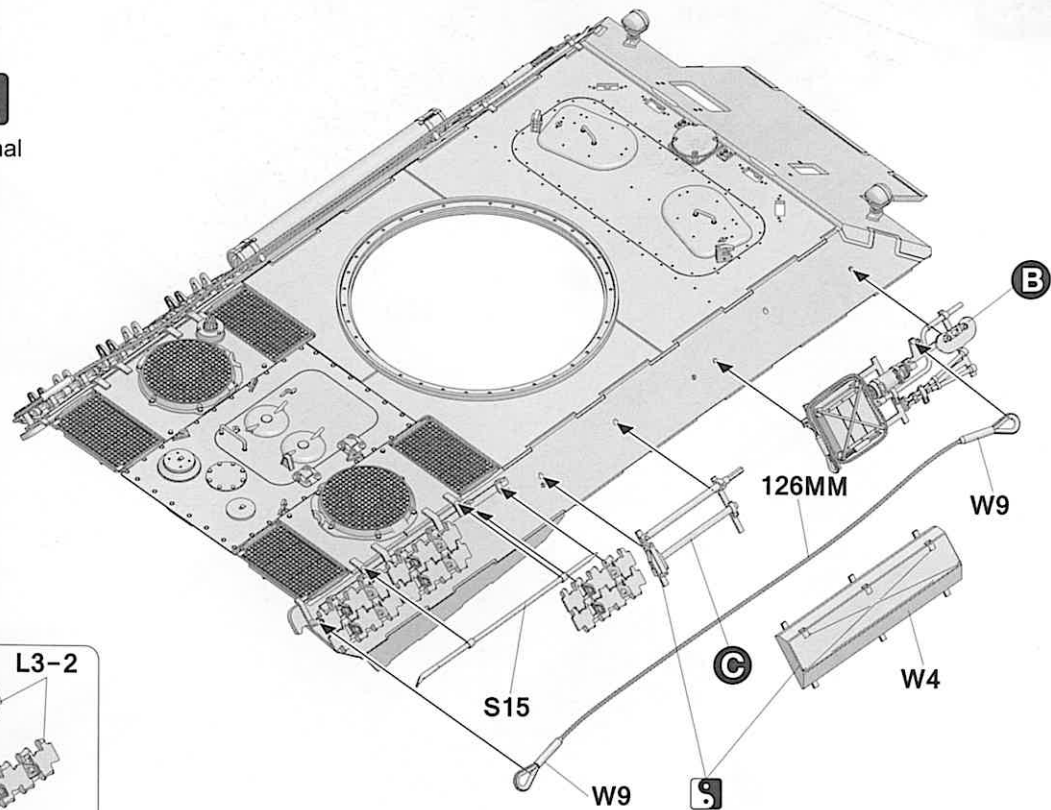
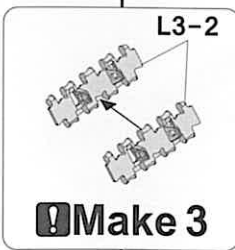
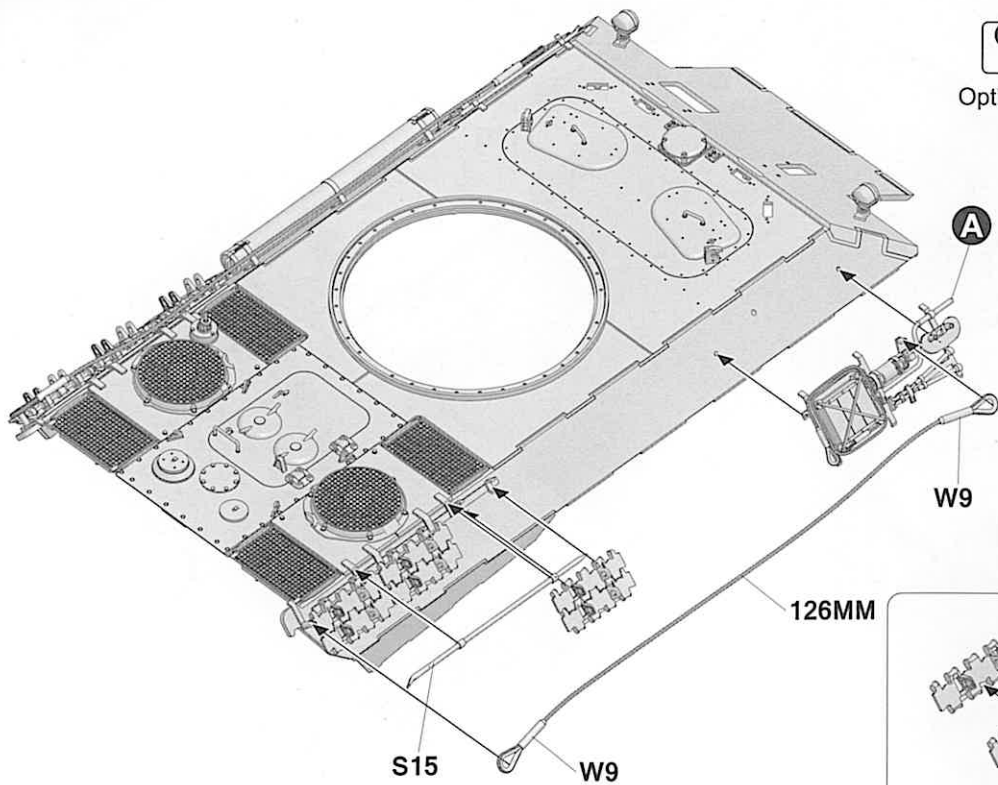


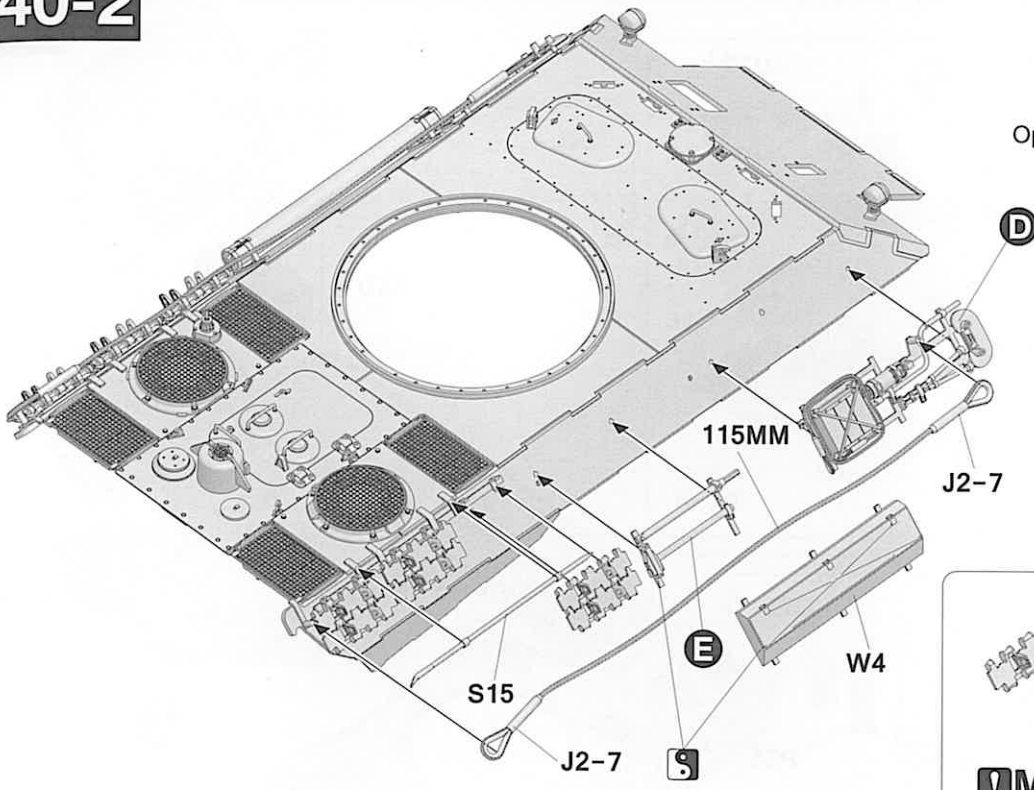


Optional

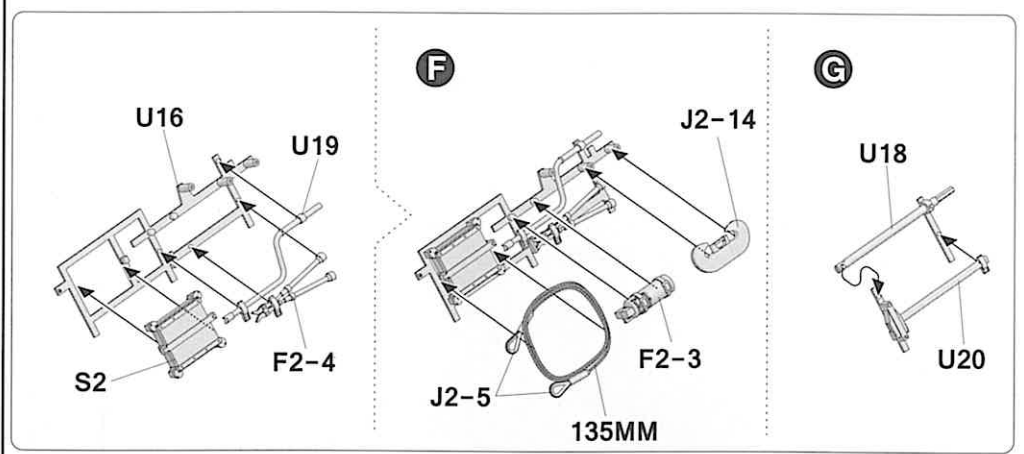
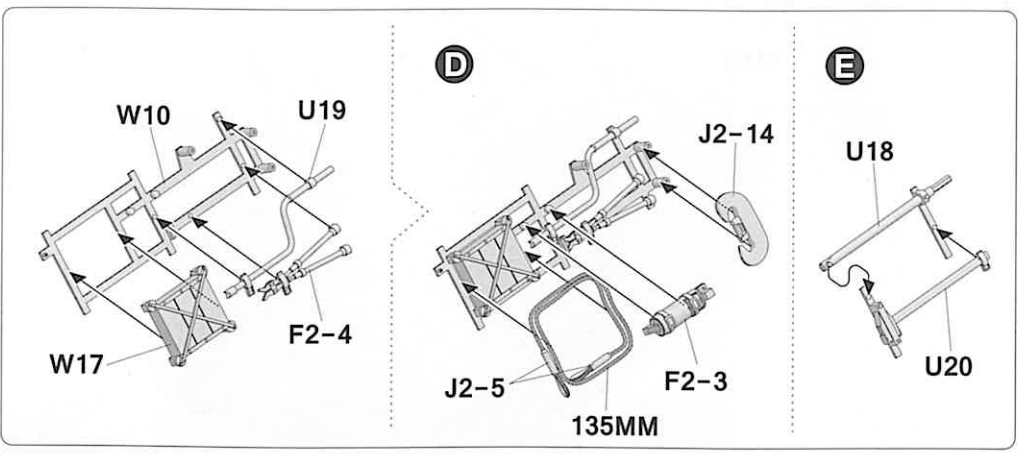
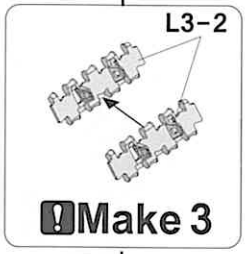
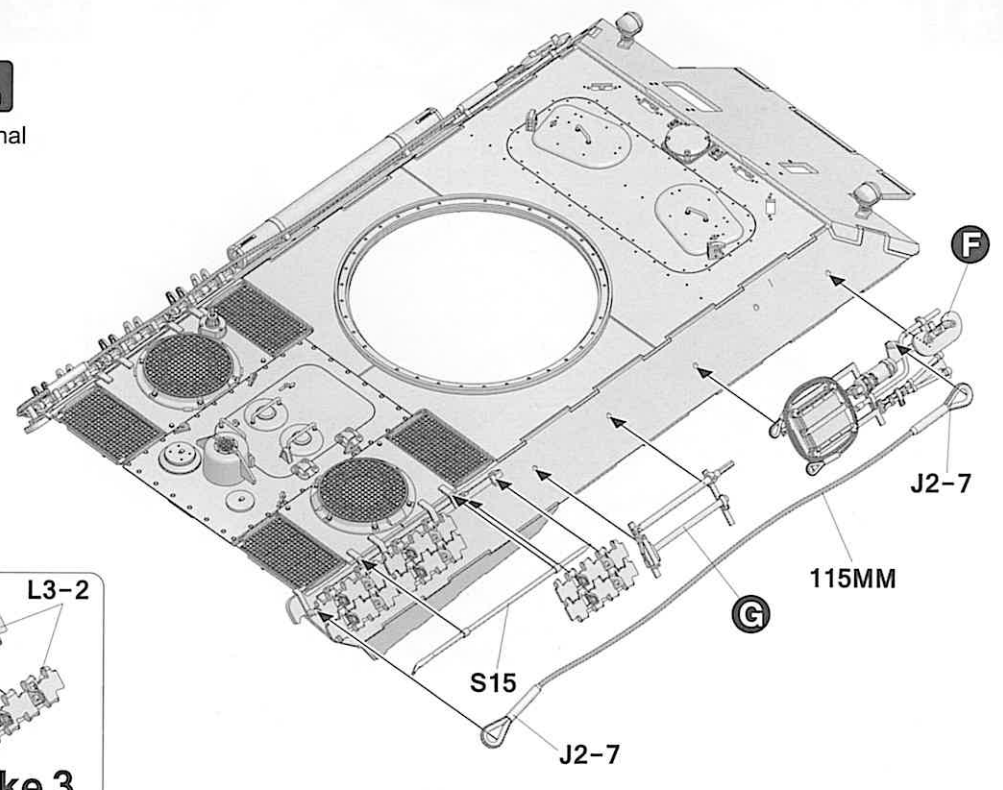




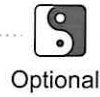
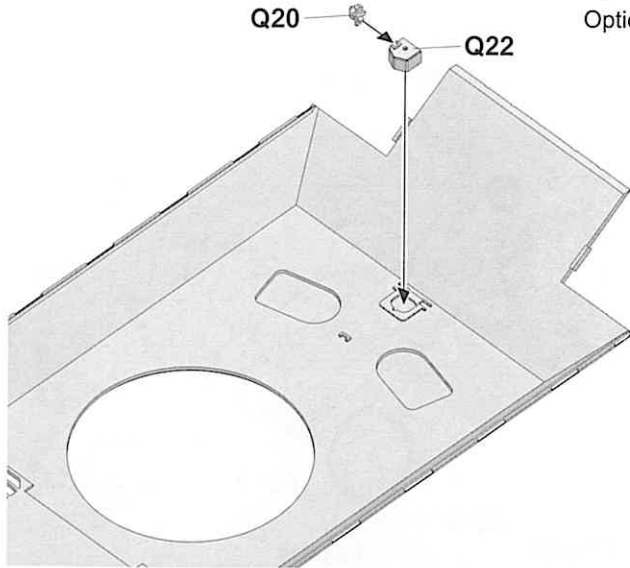
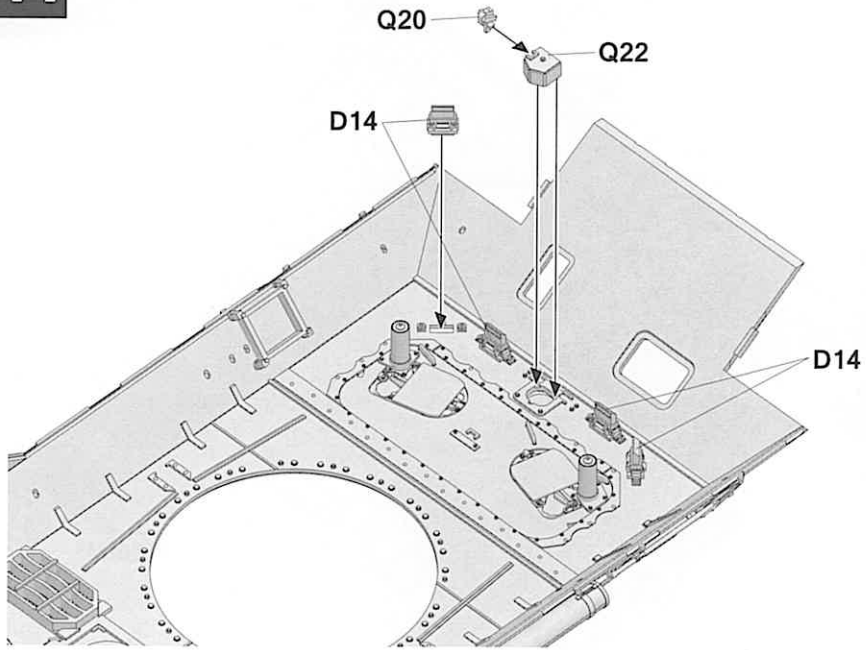




Optional

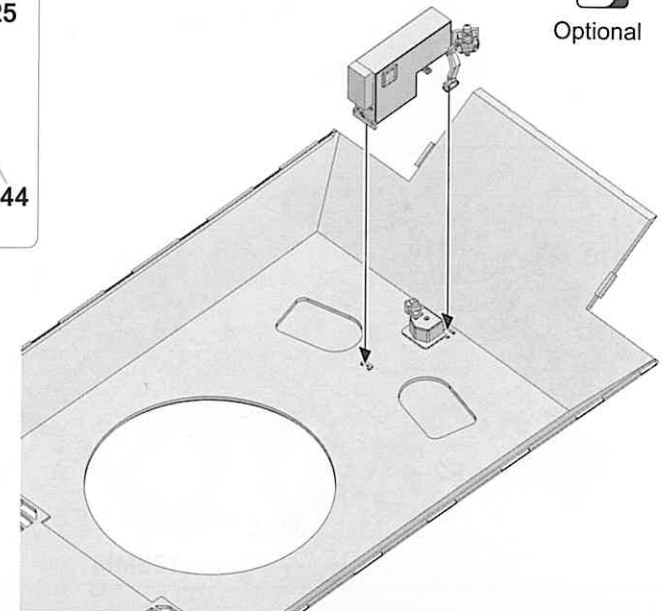
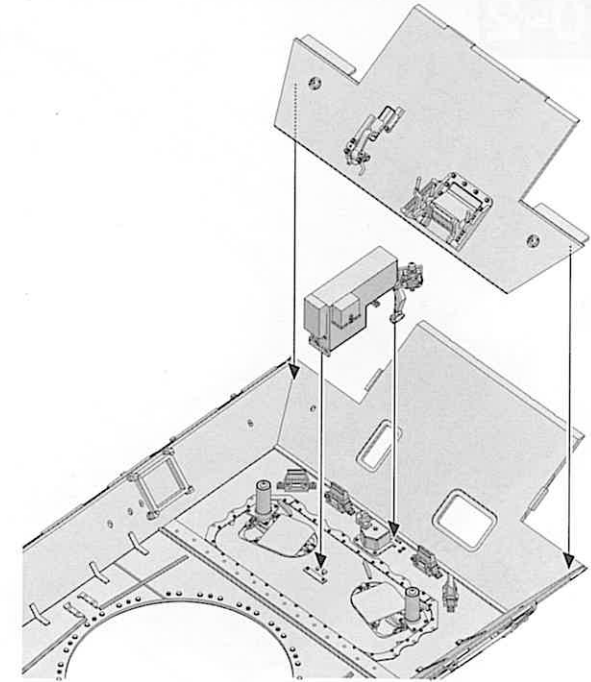
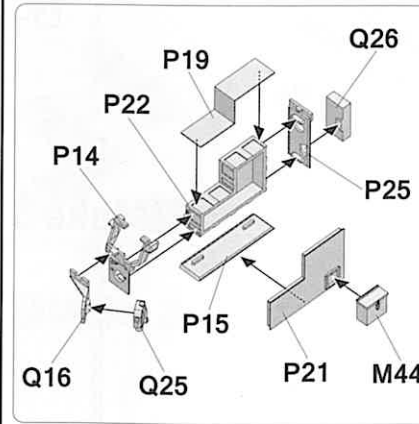
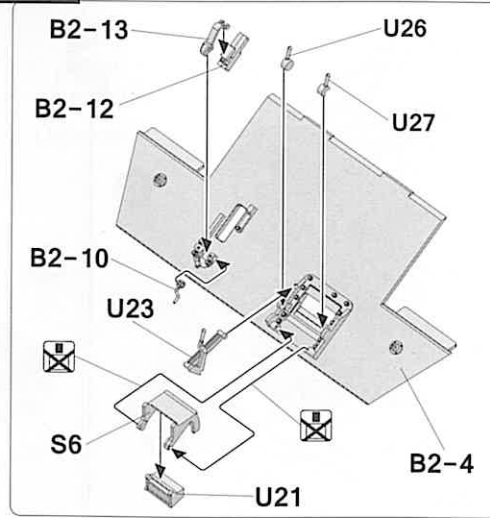


41



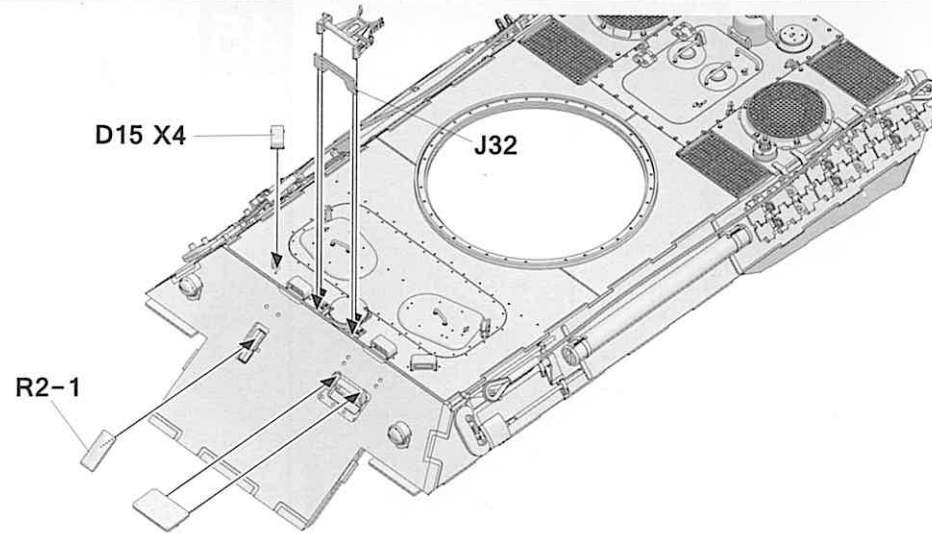
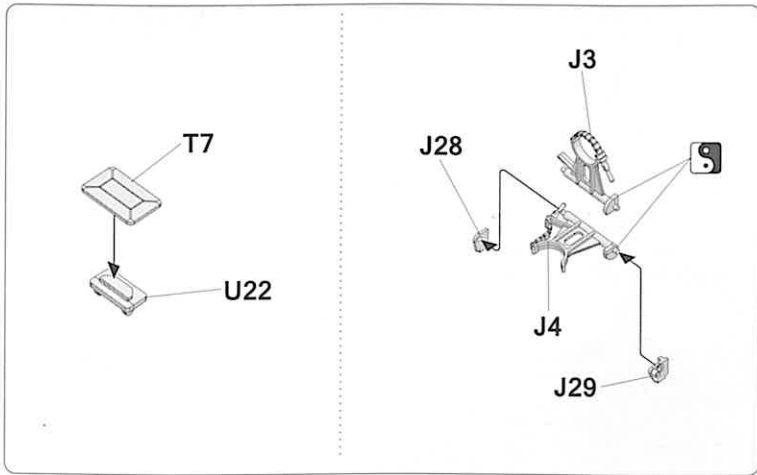
Optional

42

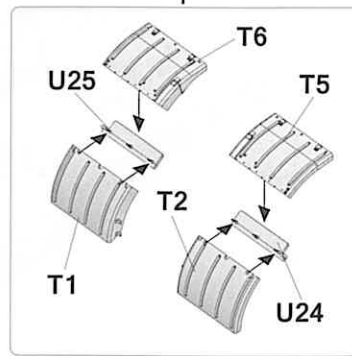
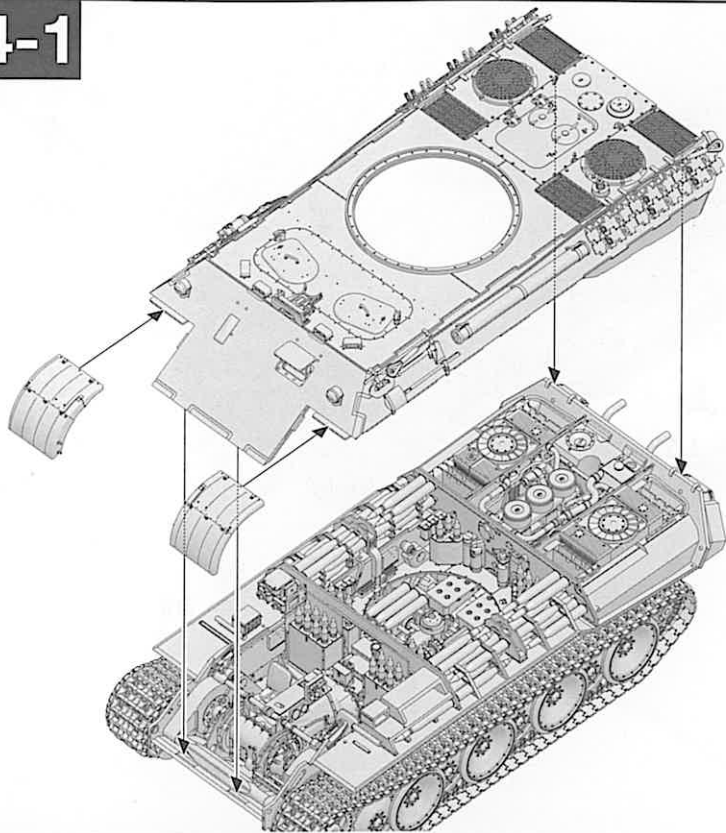


Optional

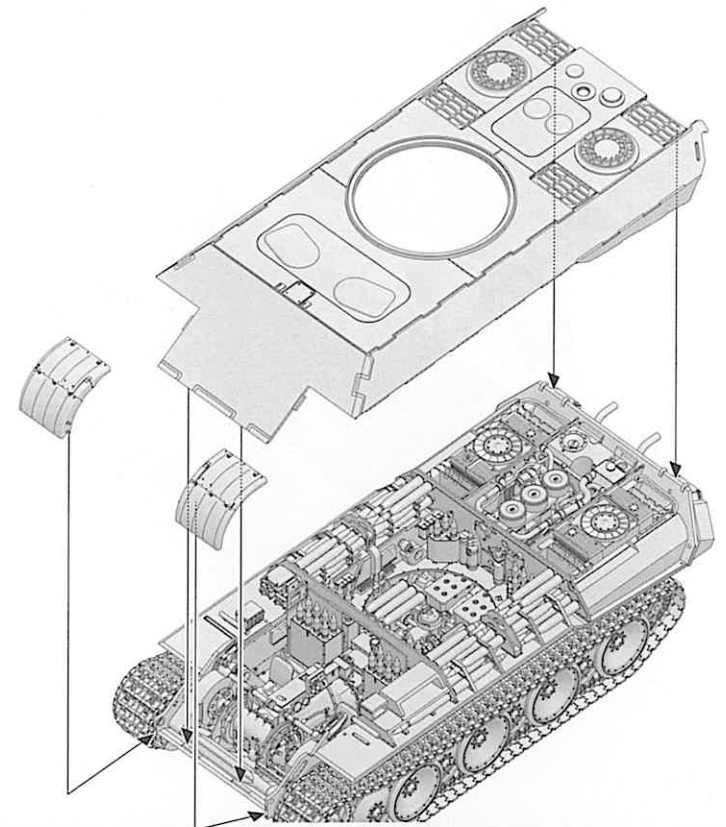
43

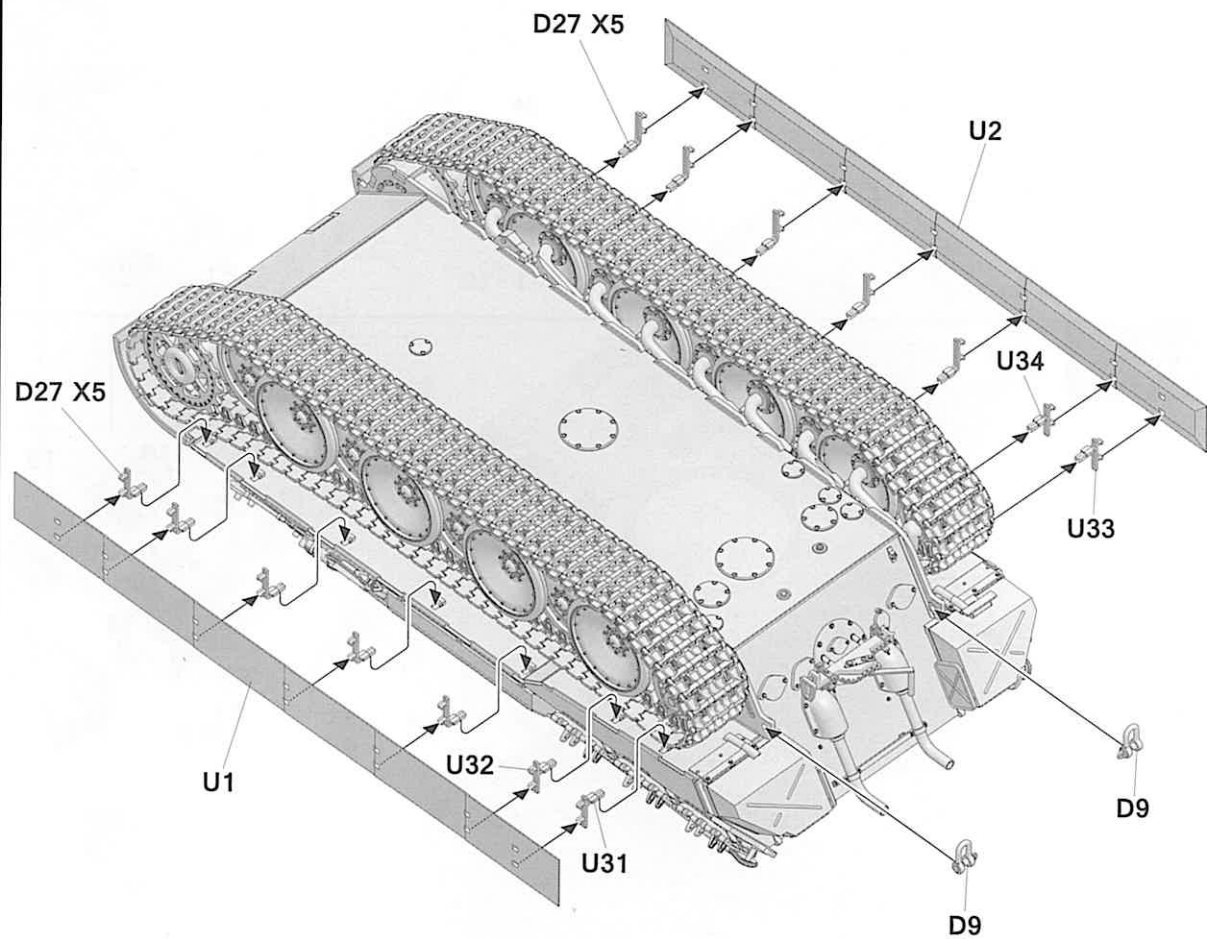
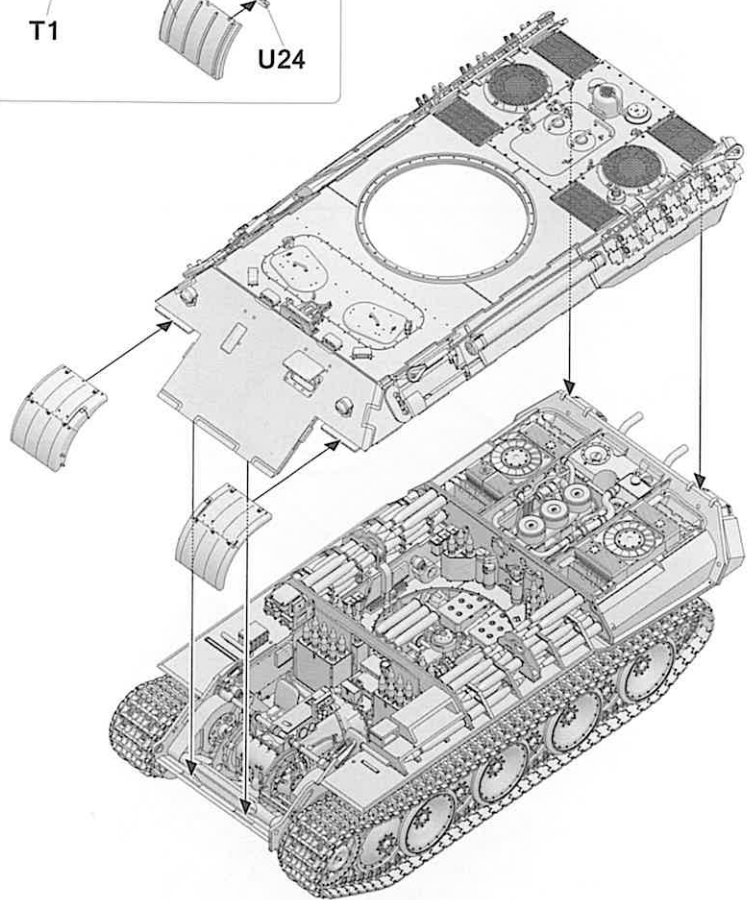
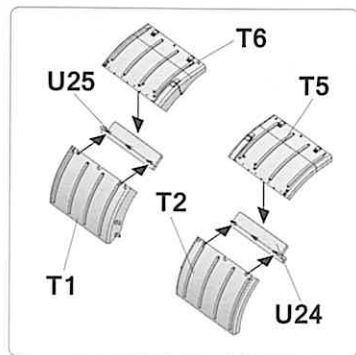


44-1

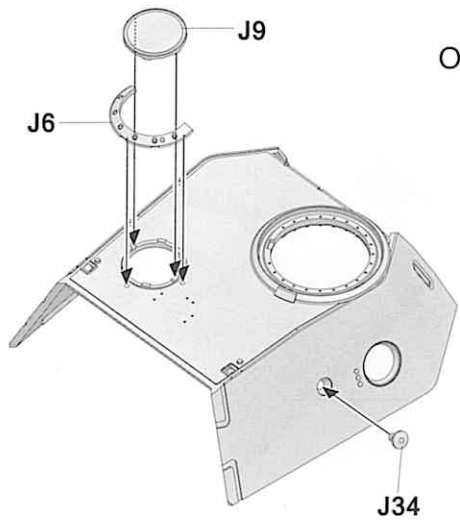
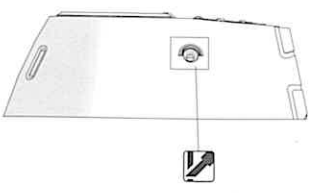
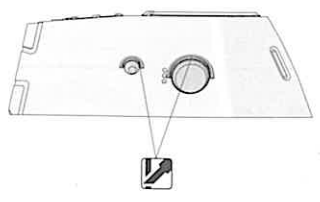
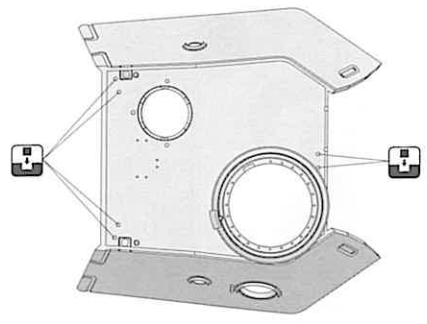


Optional

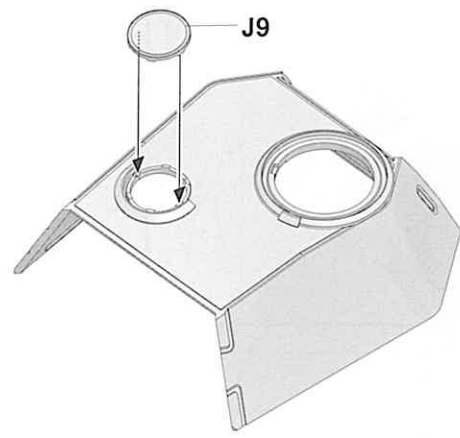




46-1

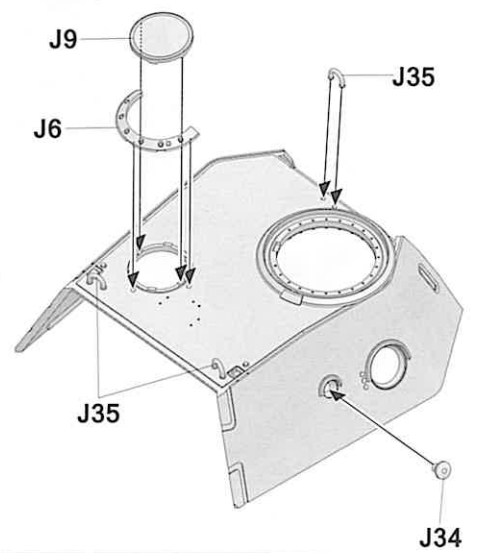



Optional

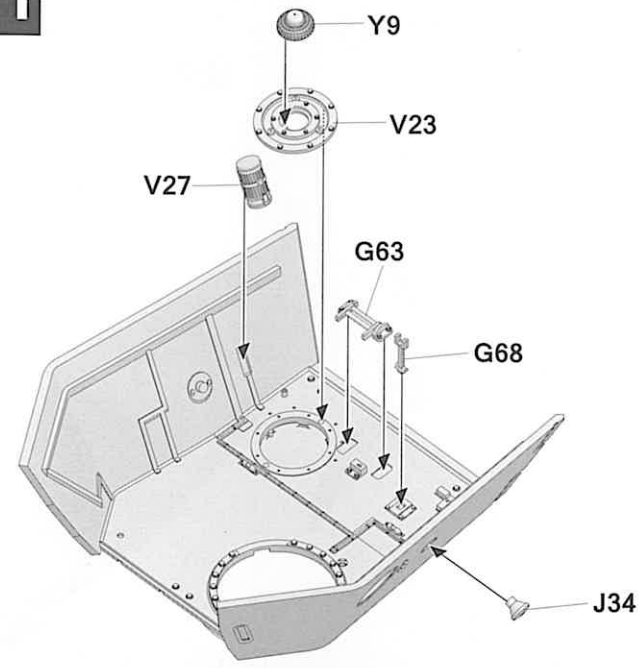


Transparent Turret

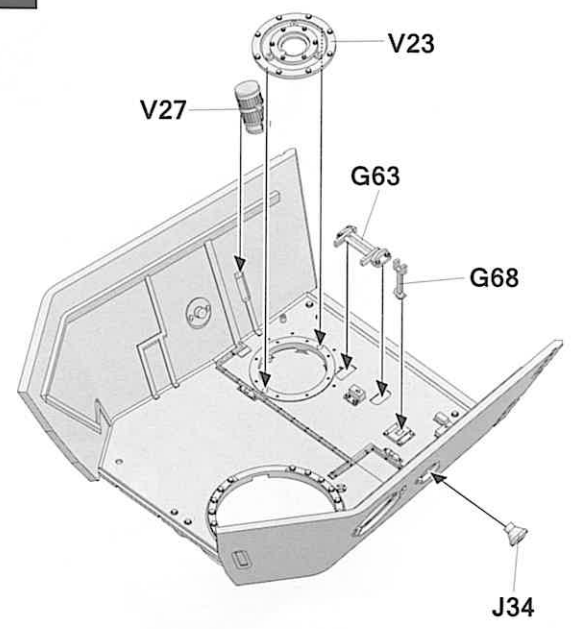
46-2



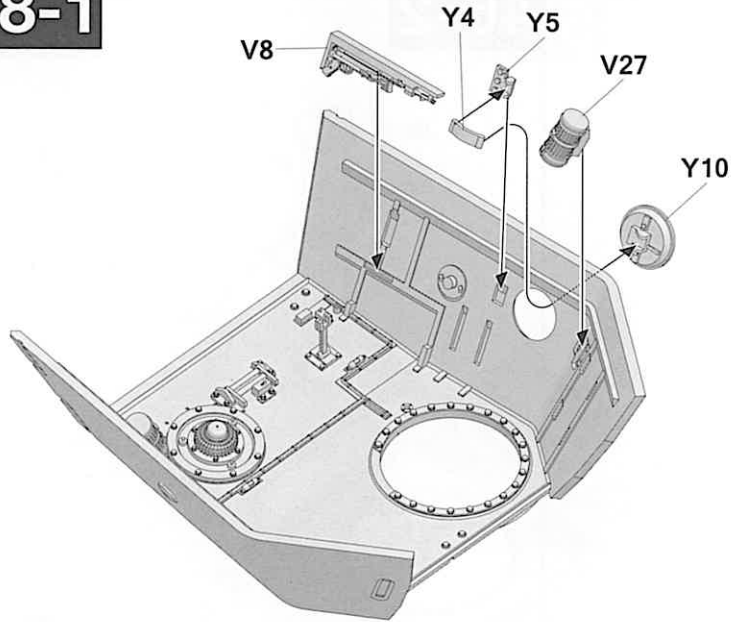
47-1



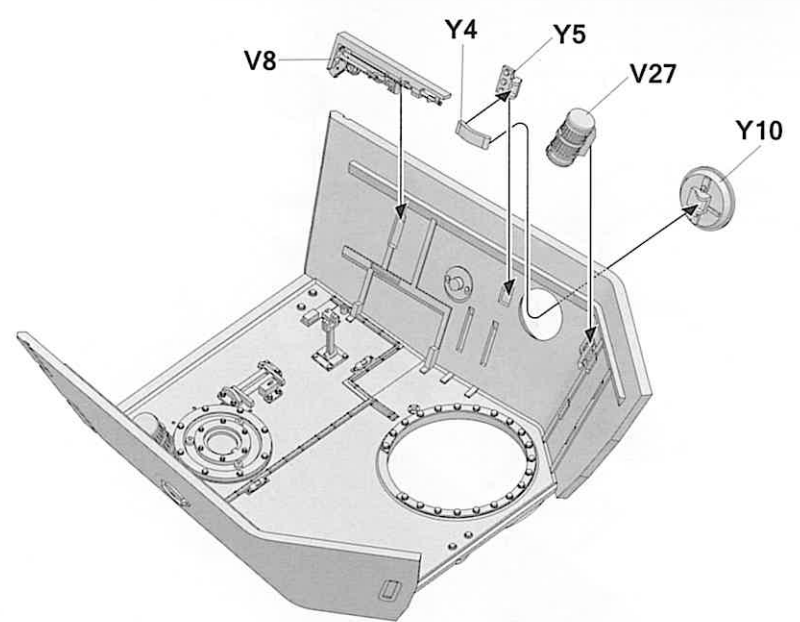
47-2



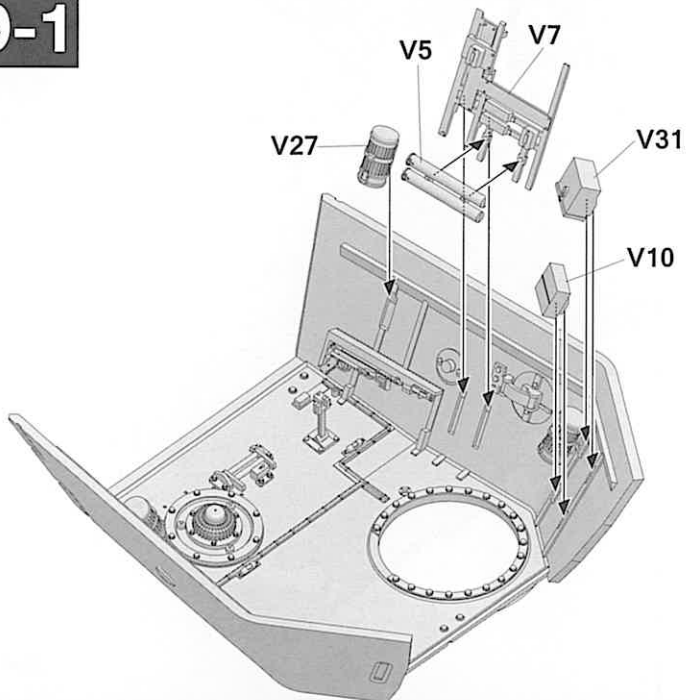
48-1



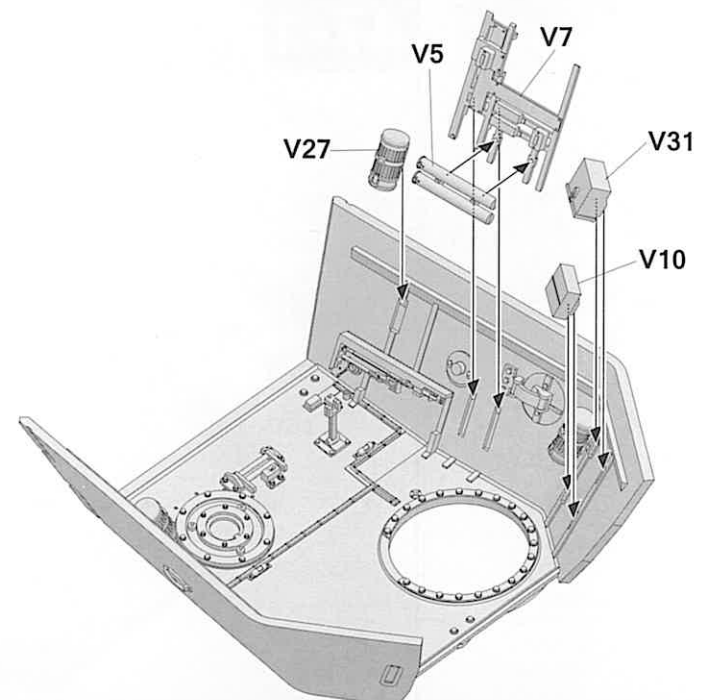
48-2

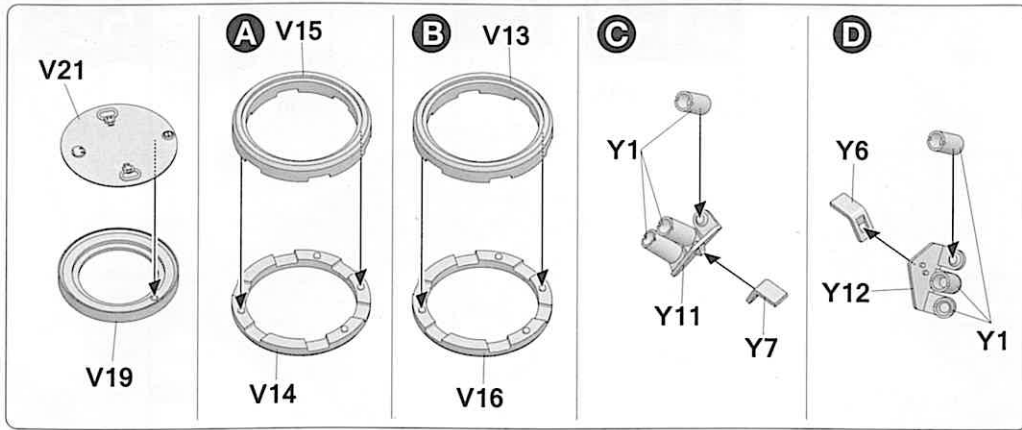


49-1

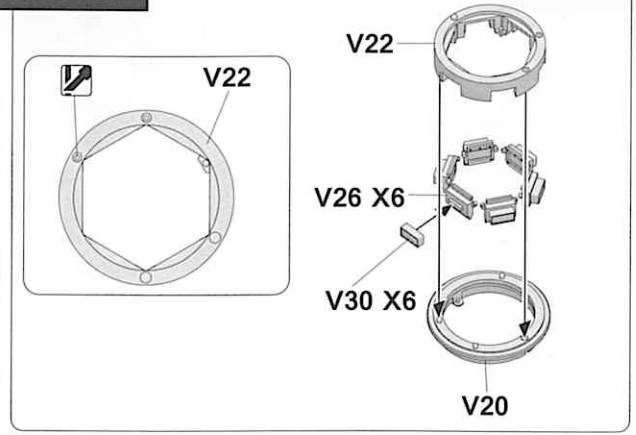


49-2

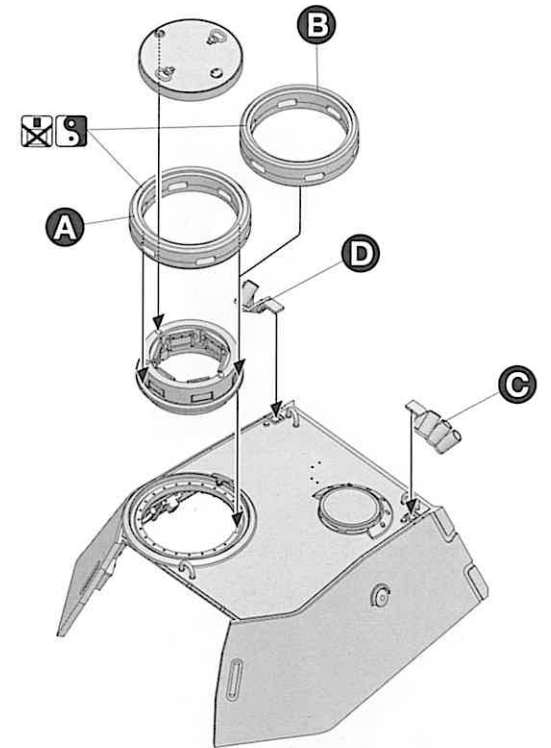
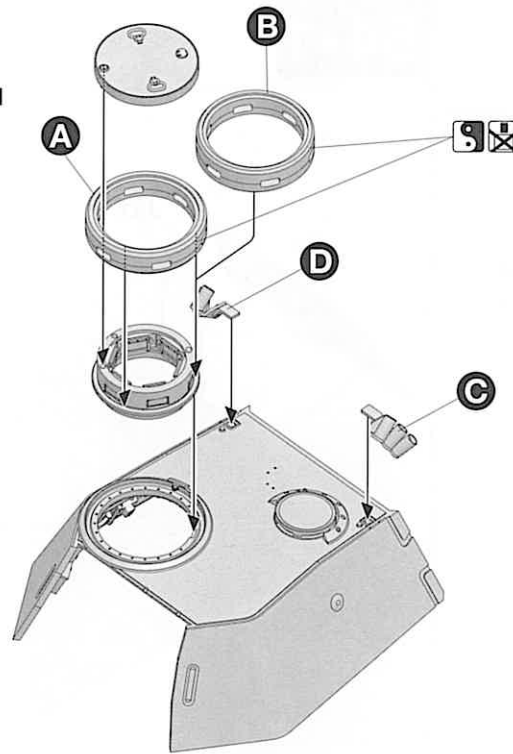
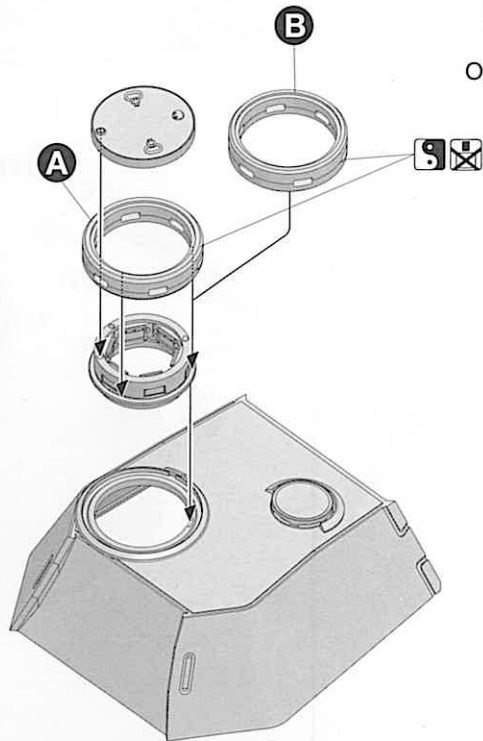
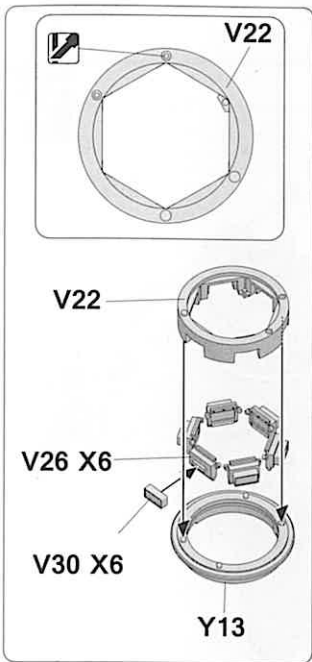




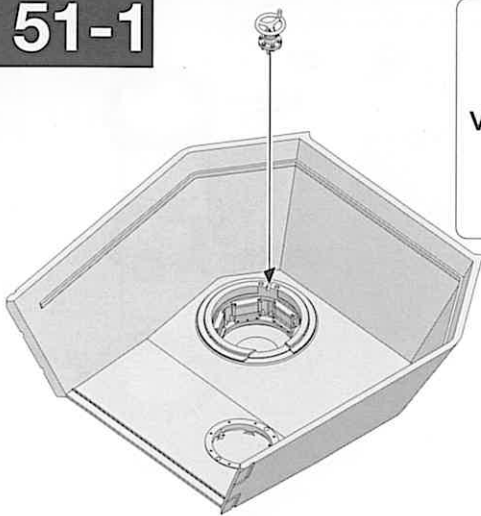
50-2



50-1



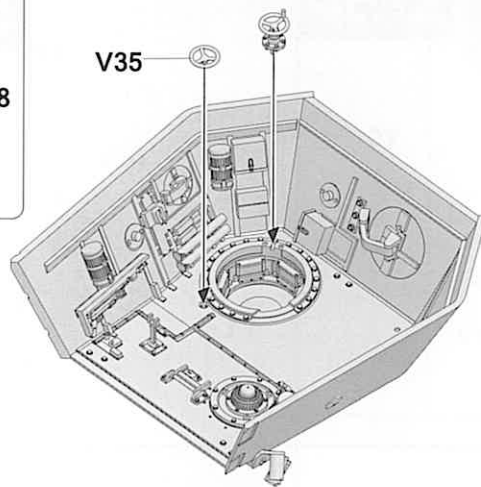
51-1



V36 Y8

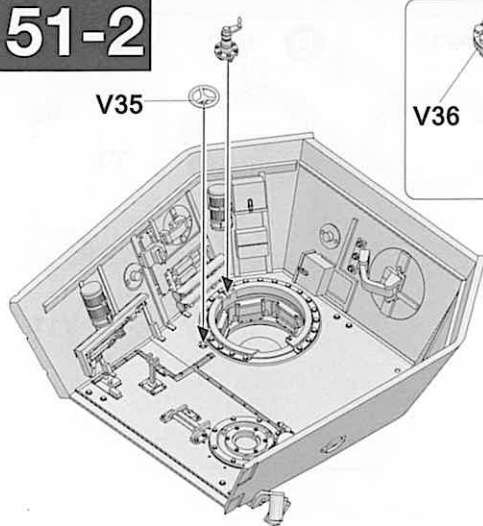


Optional



V35

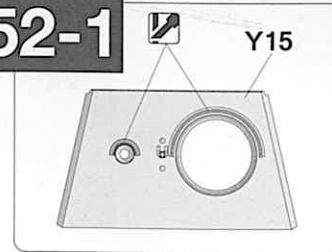
51-2



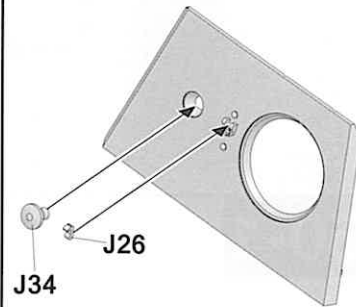
V35

V36 V38

52-1

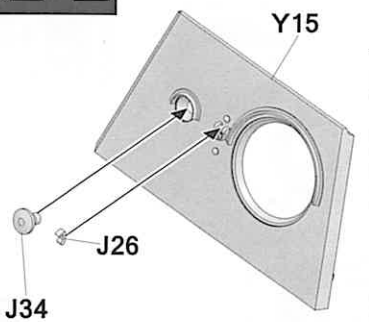


Y15



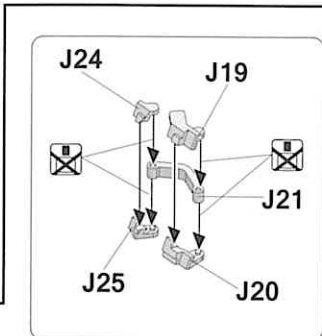
J34

52-2



Y15

J34



J24

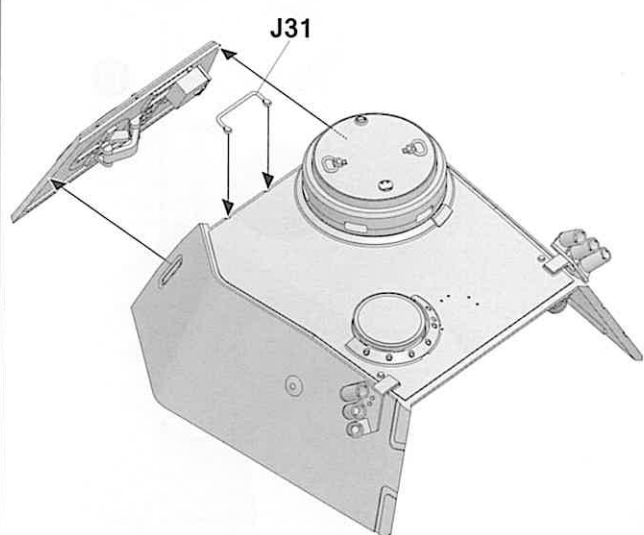
J19

J21

J25

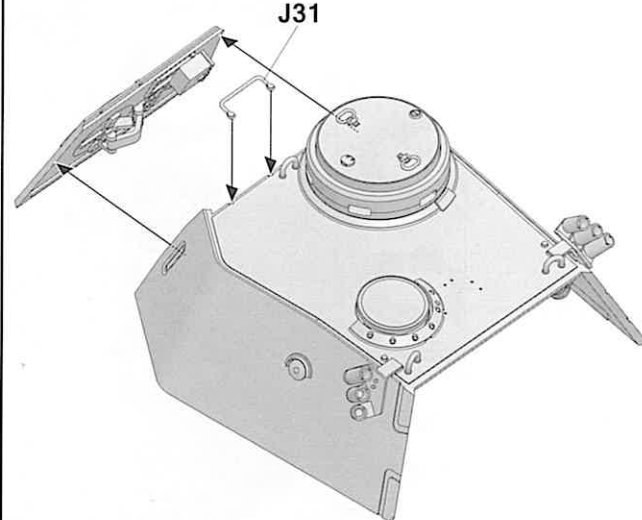
J20

54-1



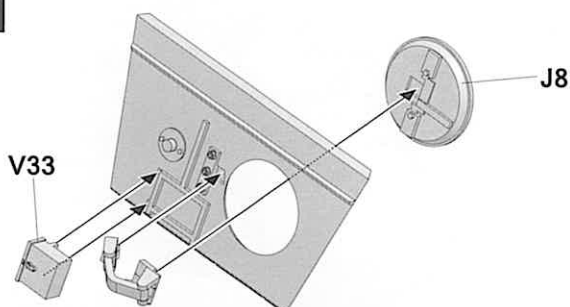
J31

54-2



J31

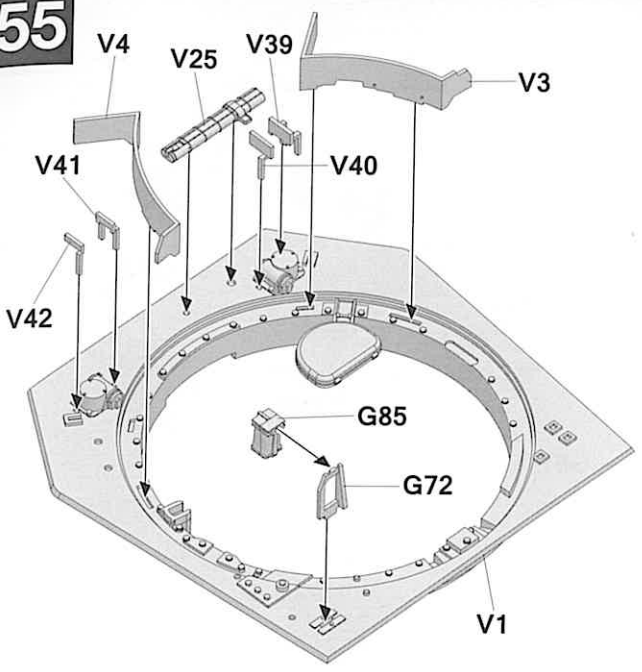
53



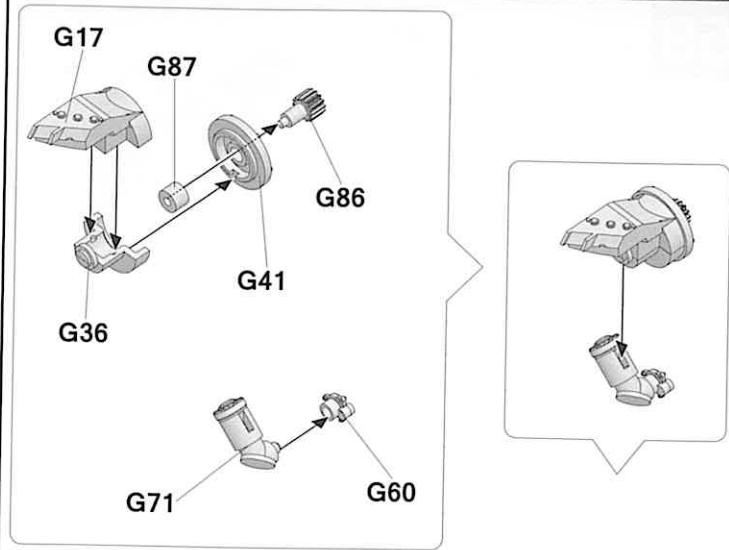
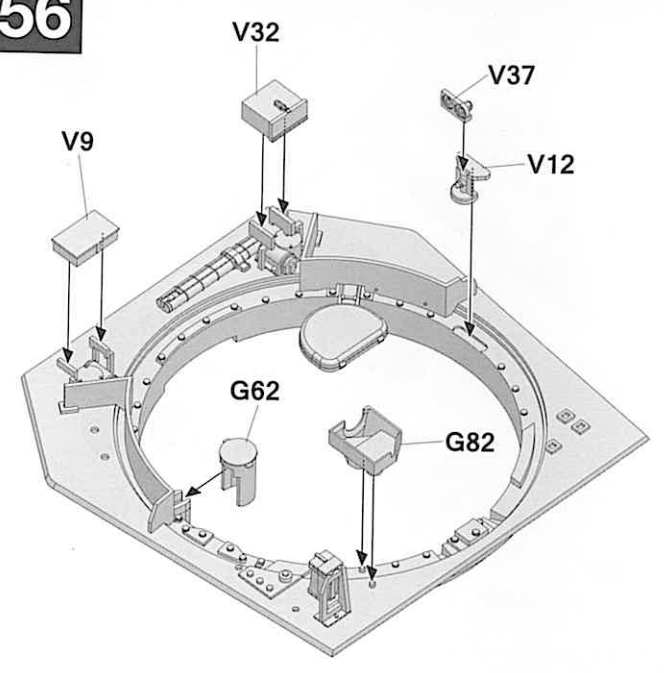
V33

J8

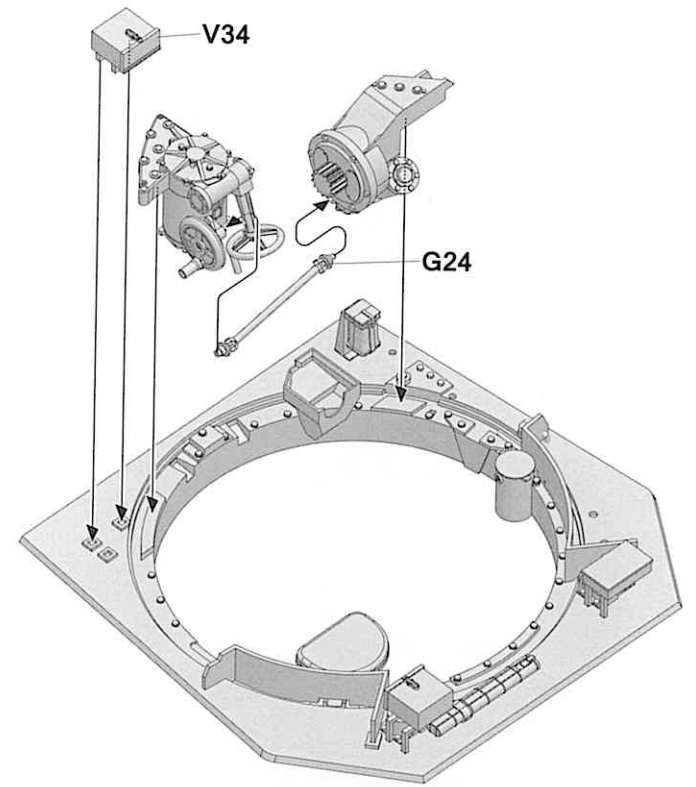
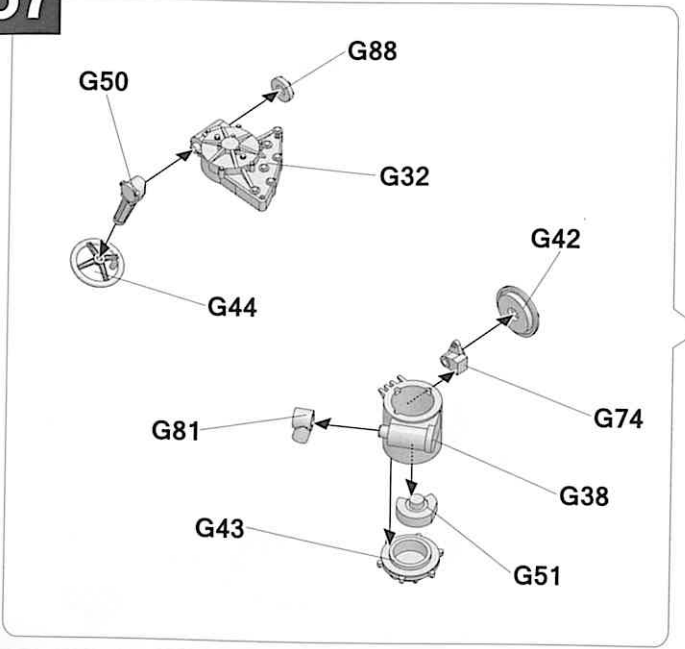
55

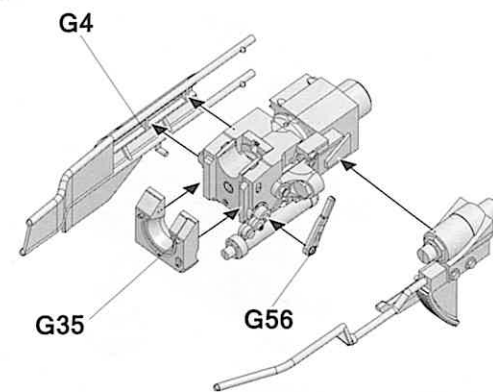
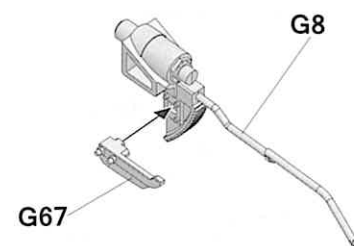
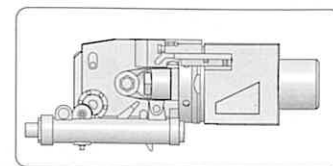
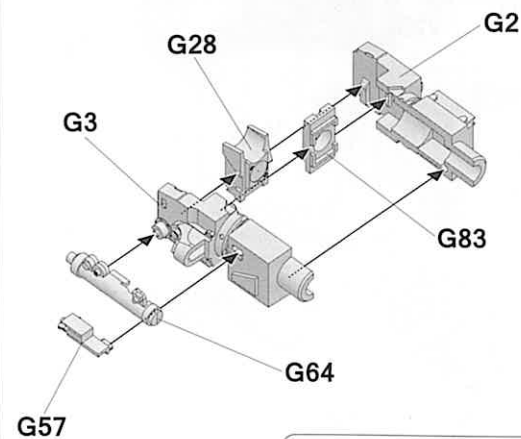
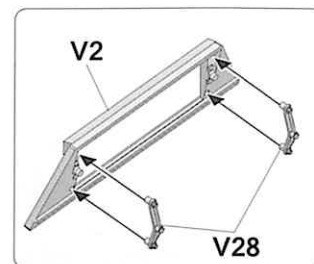
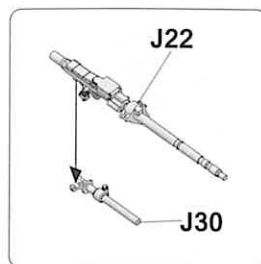
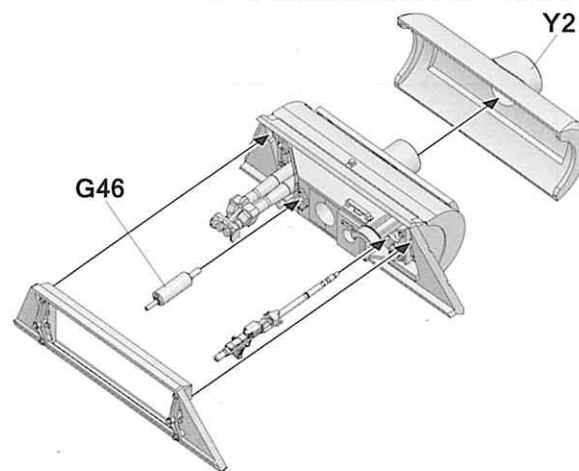
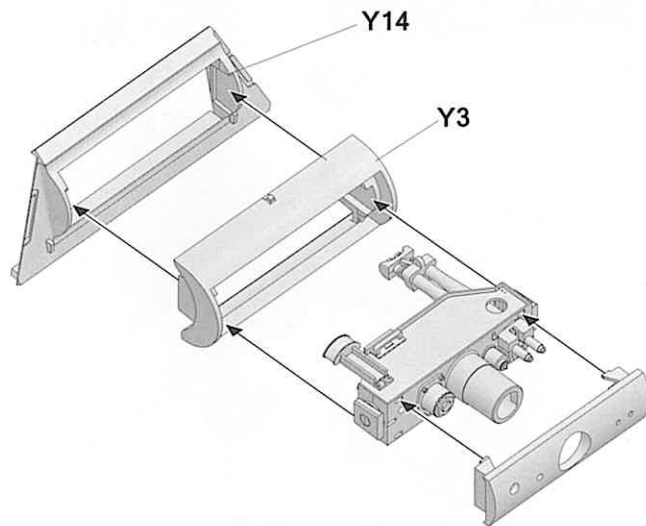
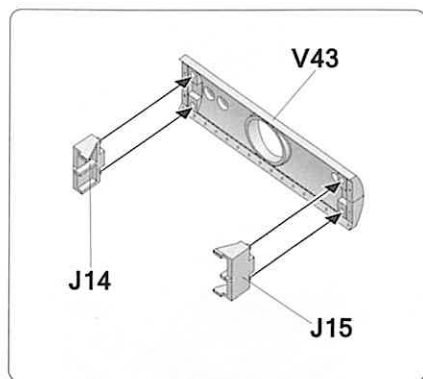
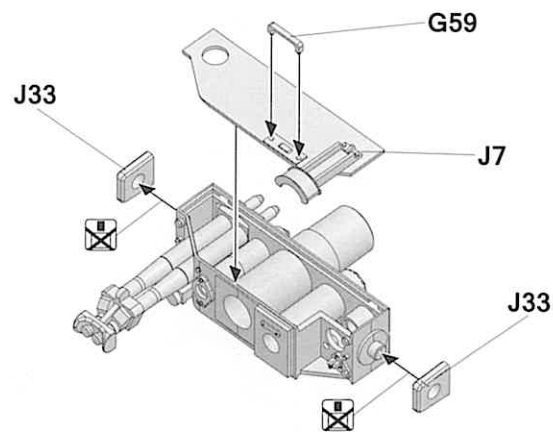
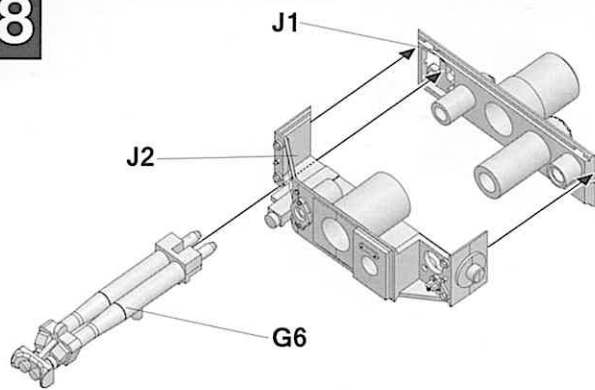


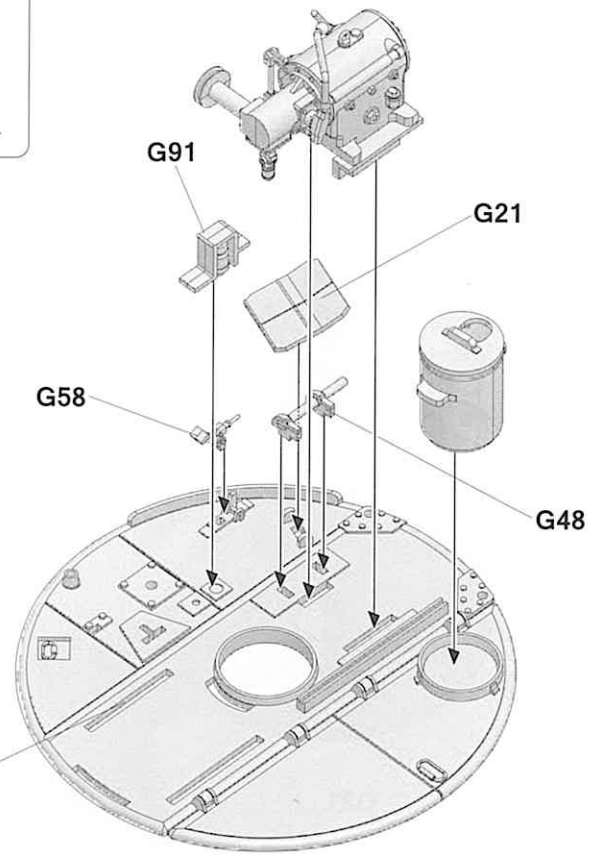
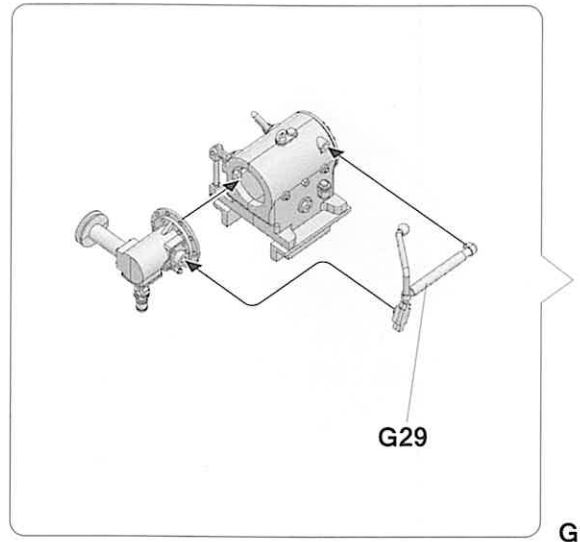
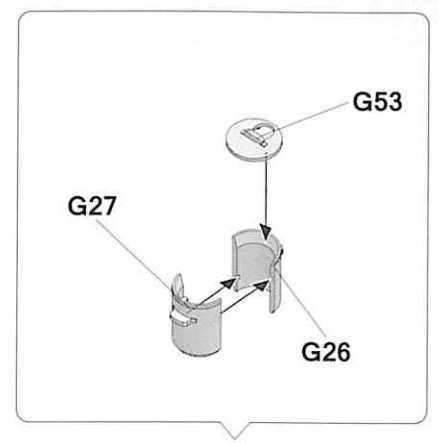
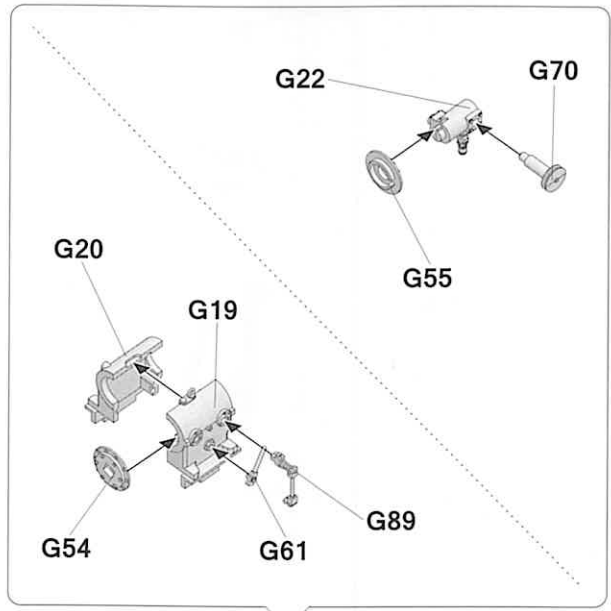
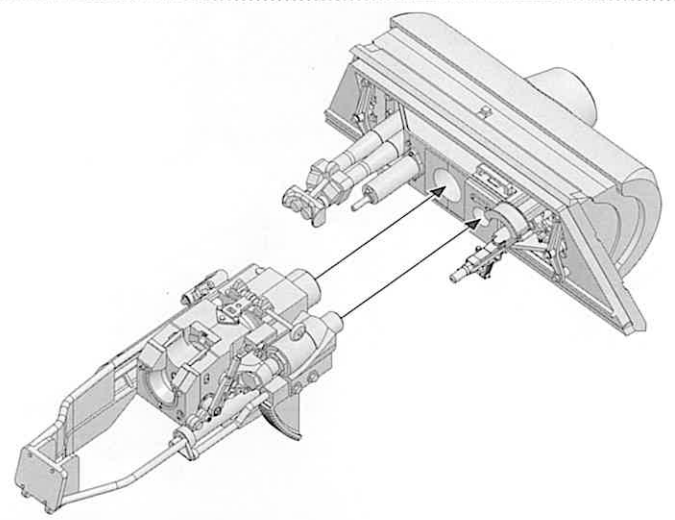
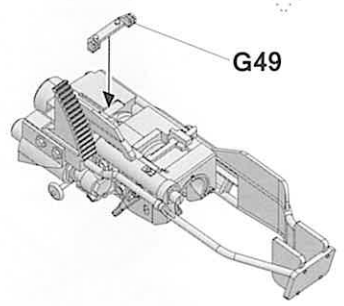
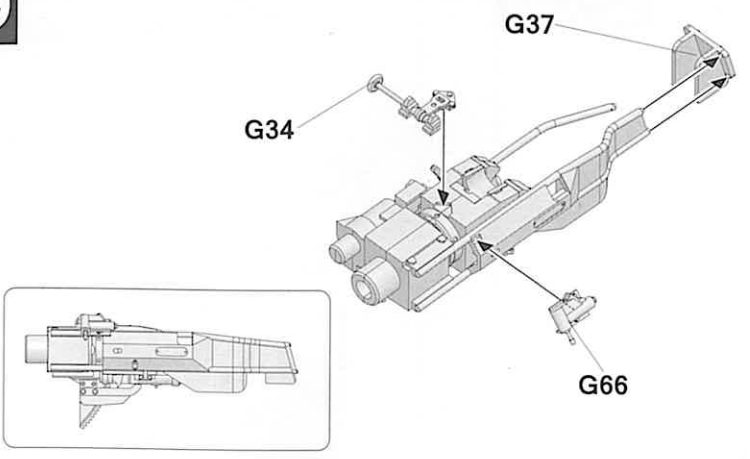
56



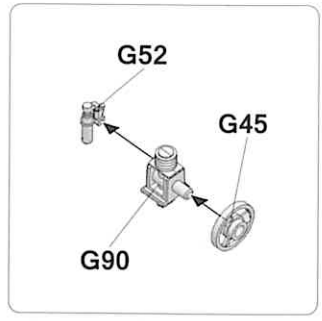
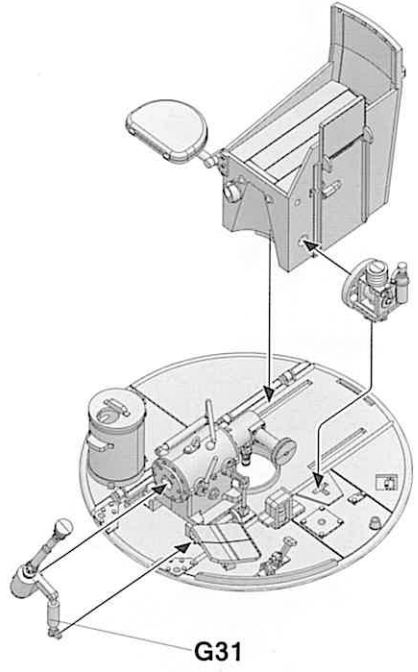
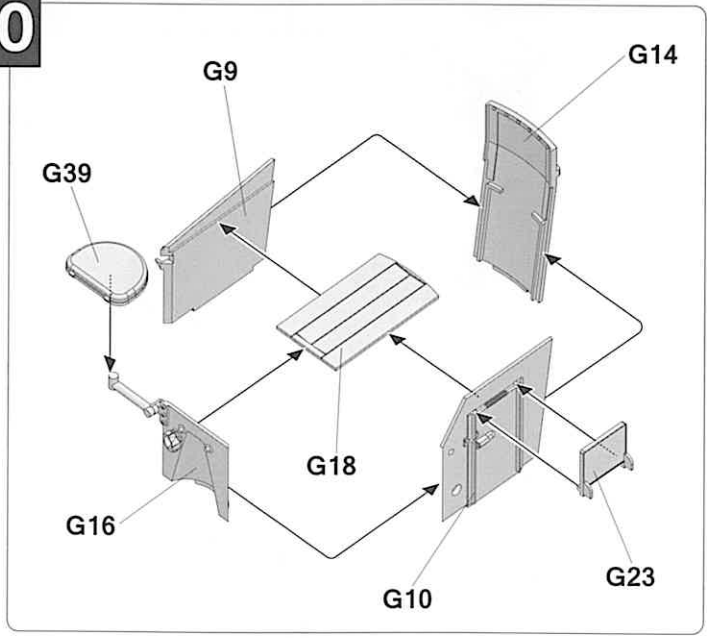
57



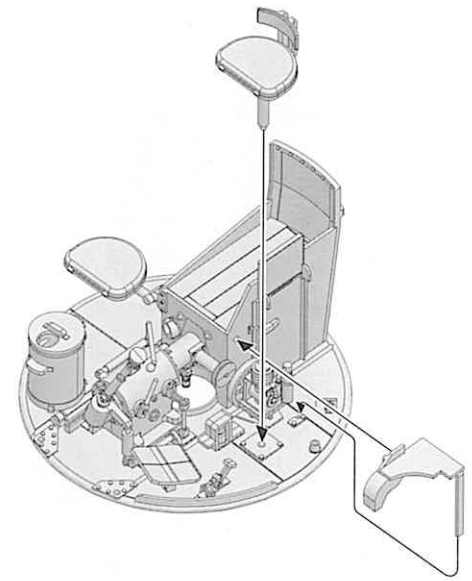
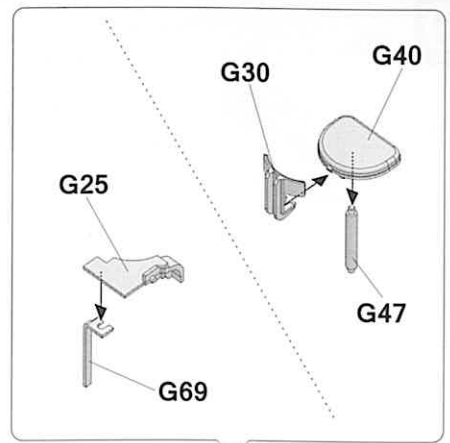
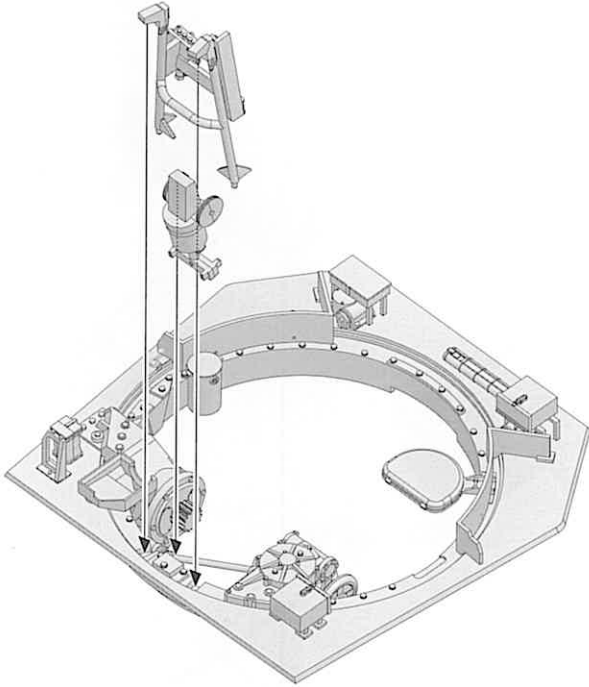
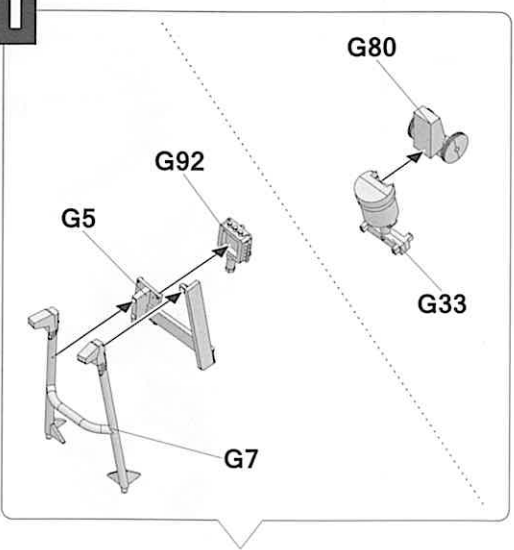




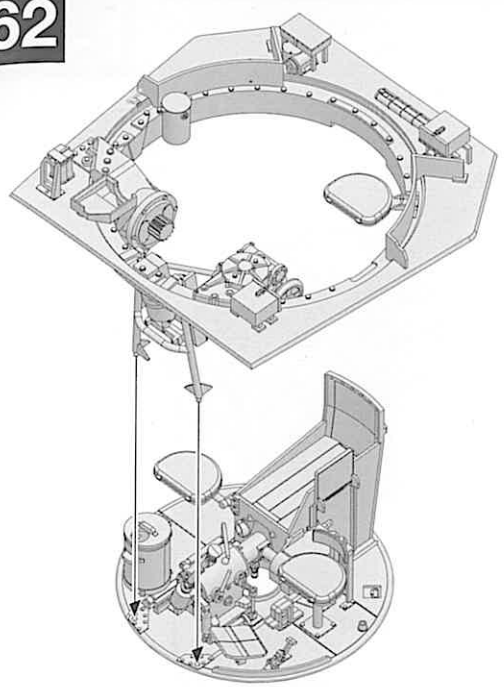
60



61



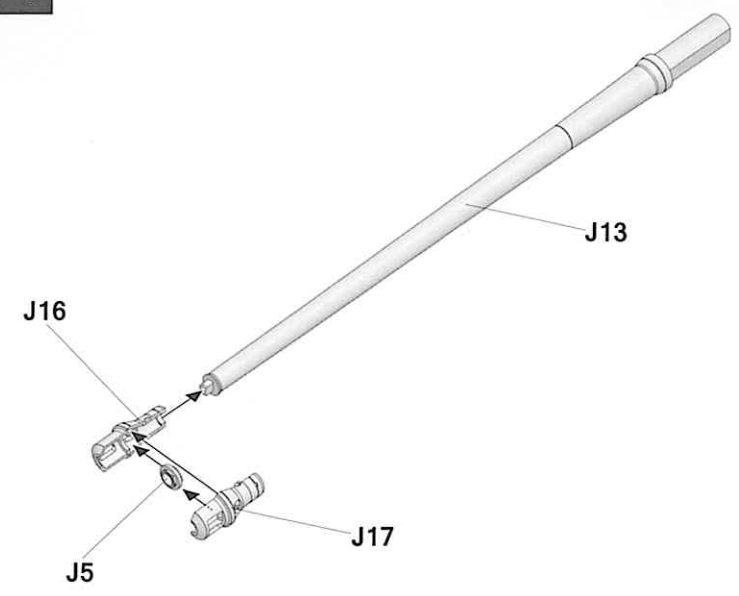
62



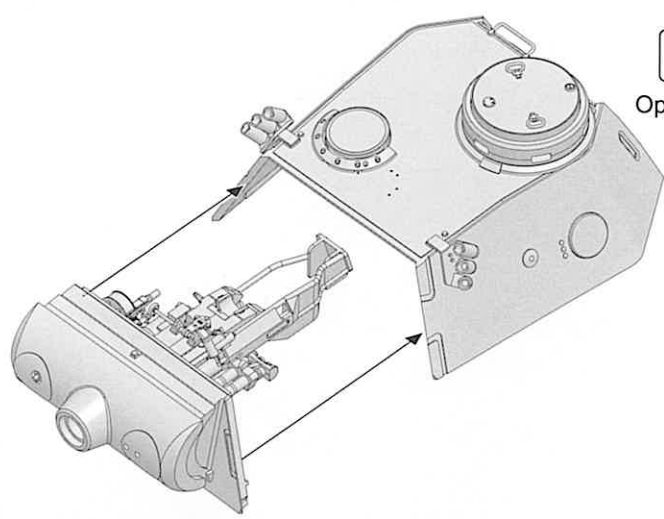
63-2



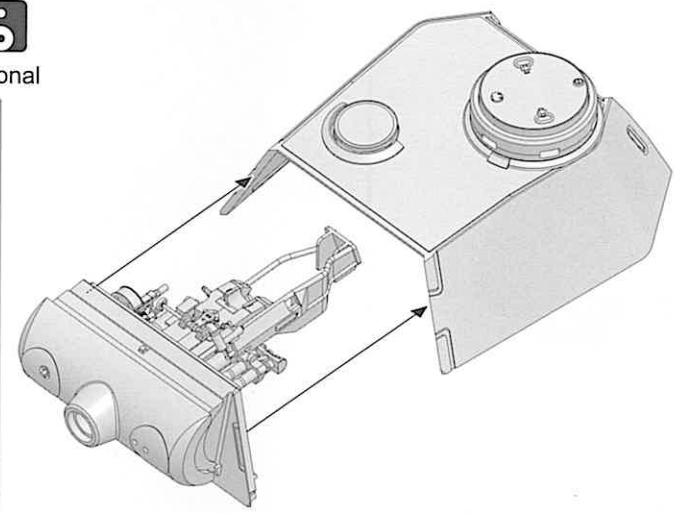
64



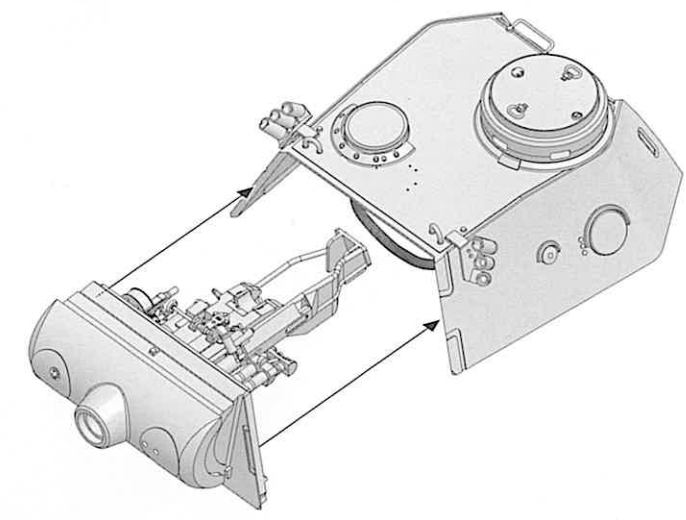
65-1



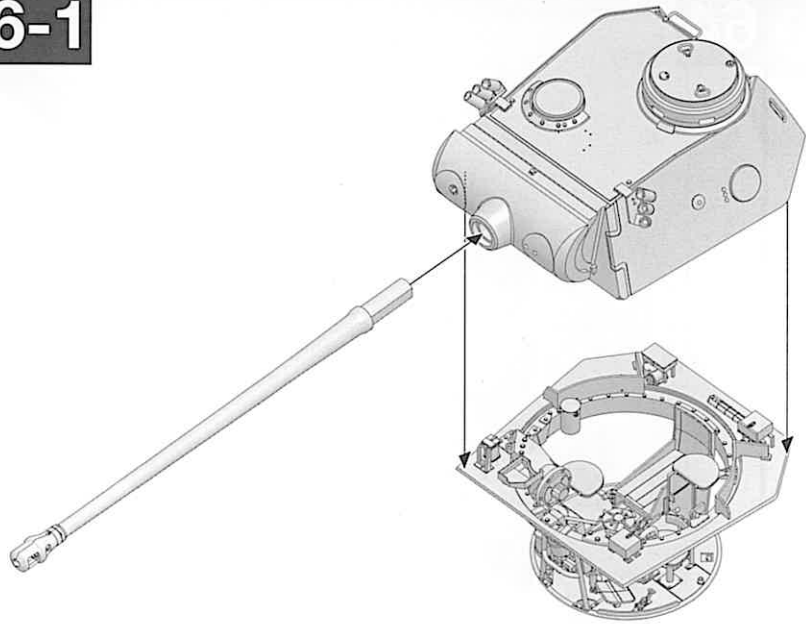
Optional



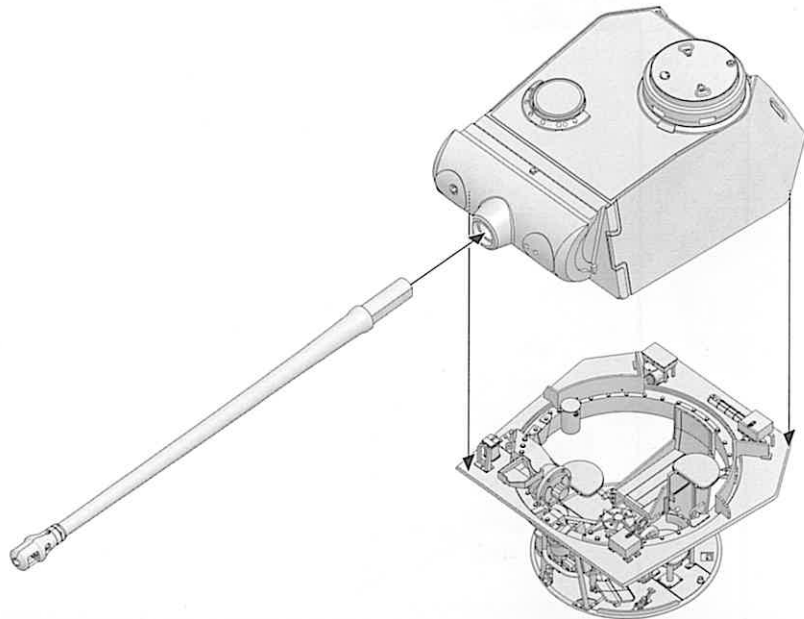
65-2



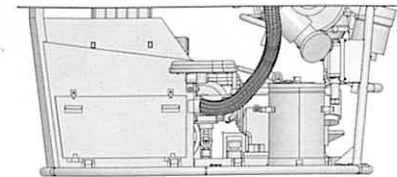
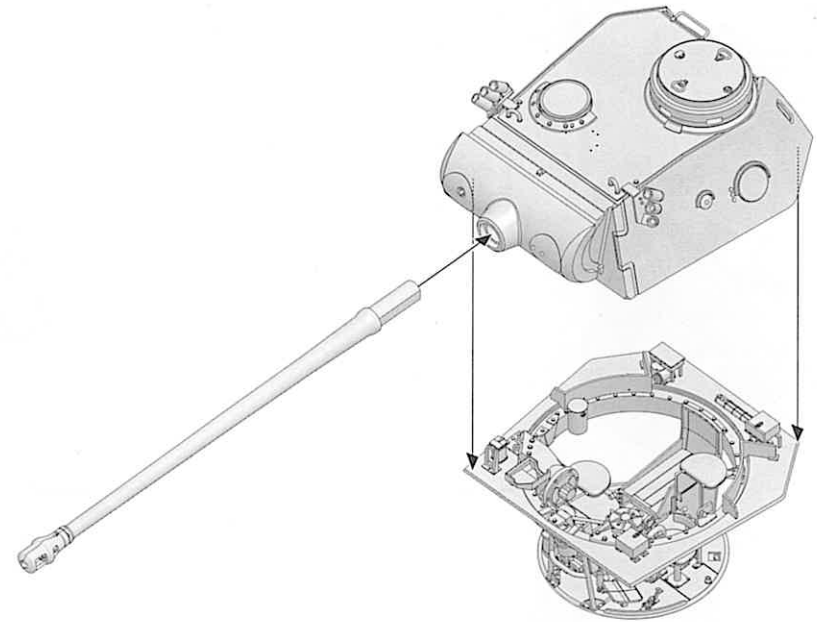
66-1

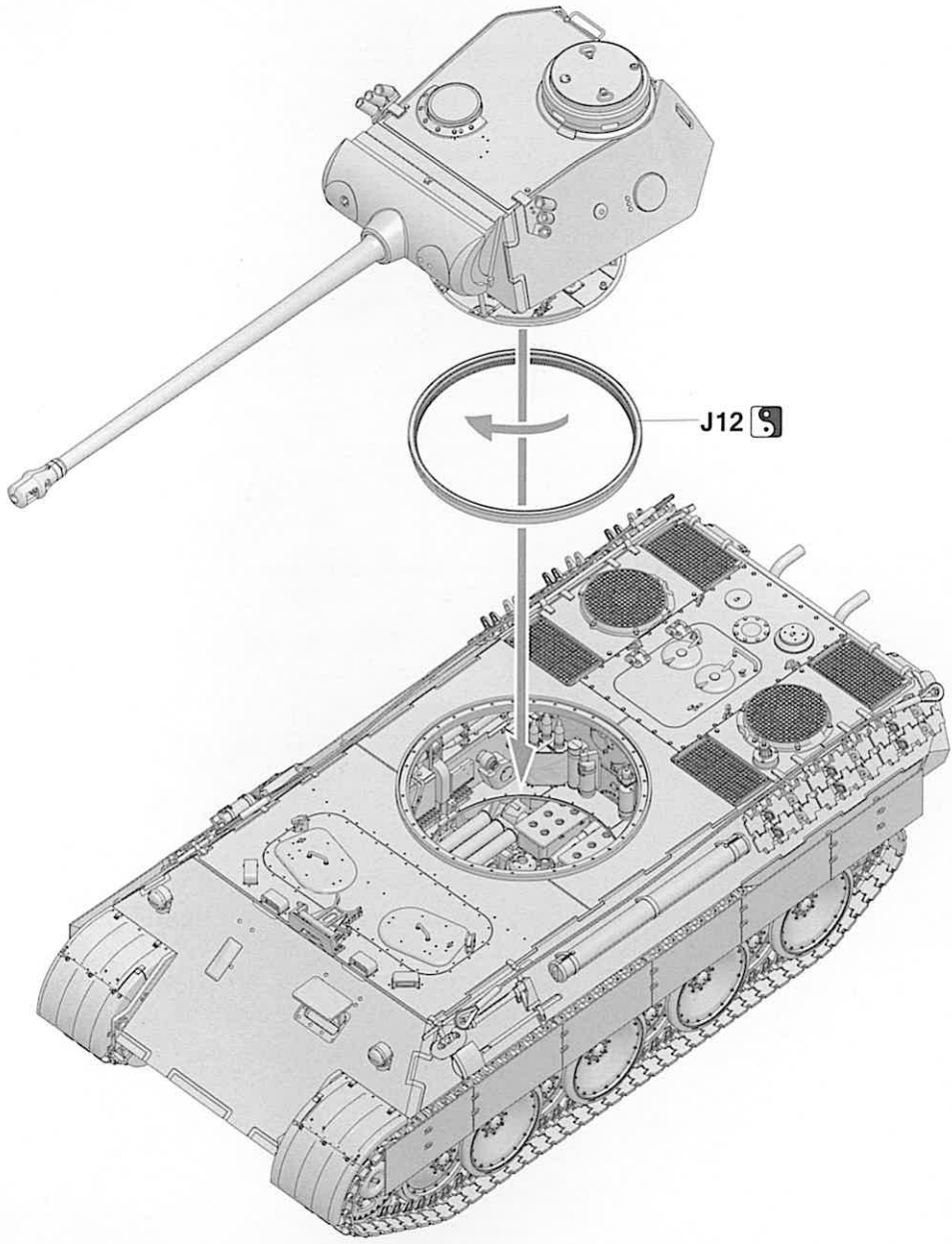


Optional

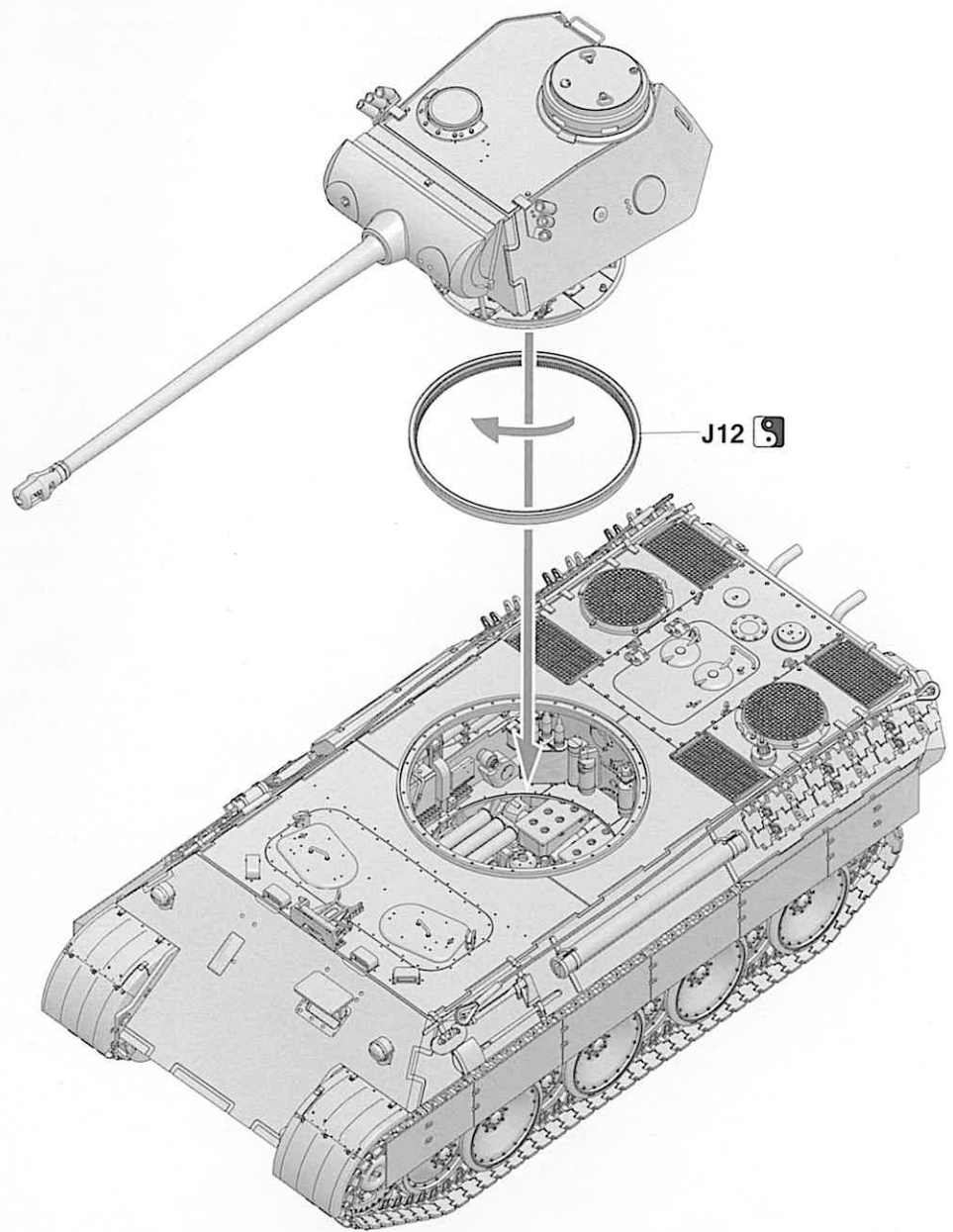


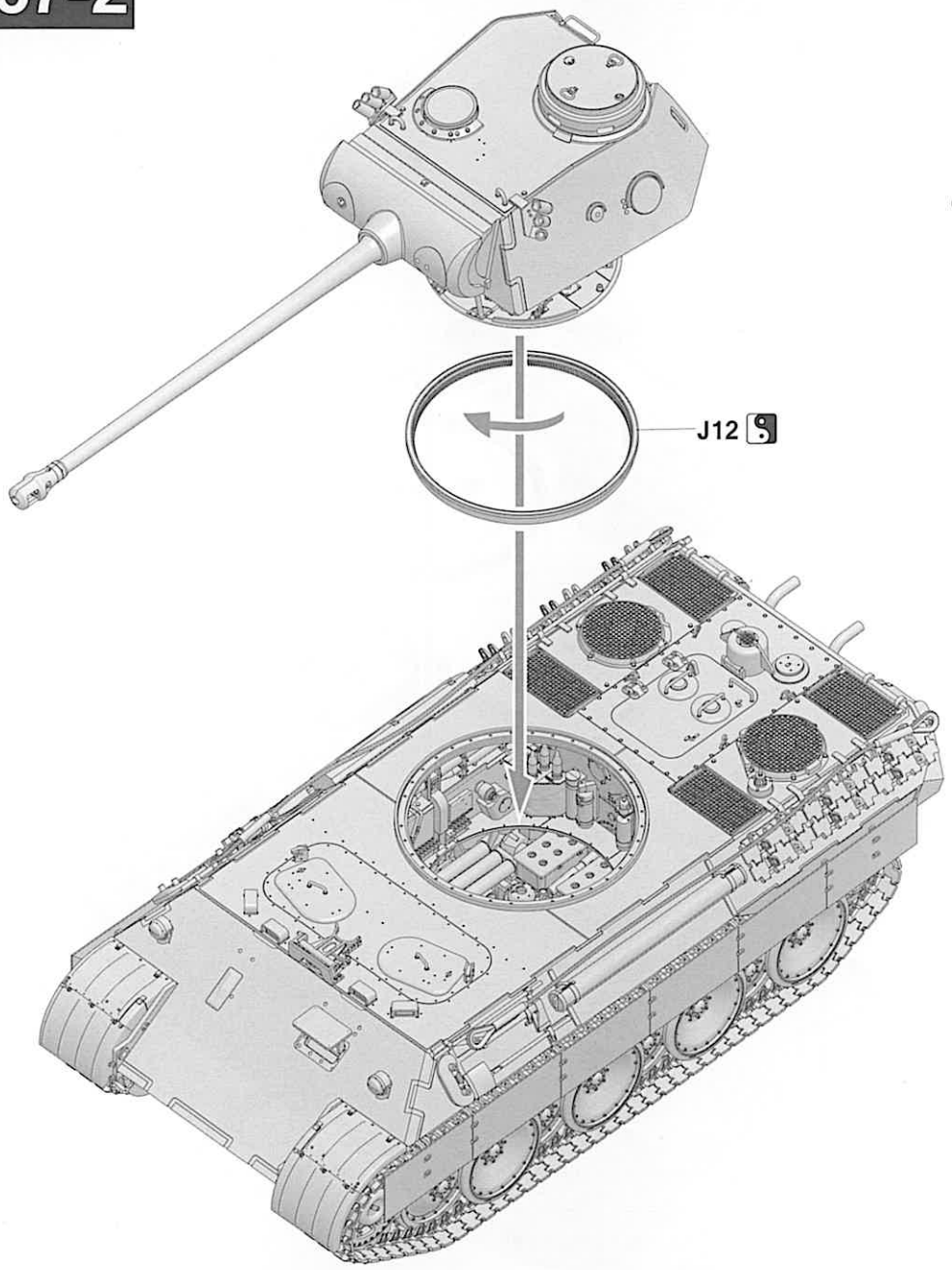
66-2



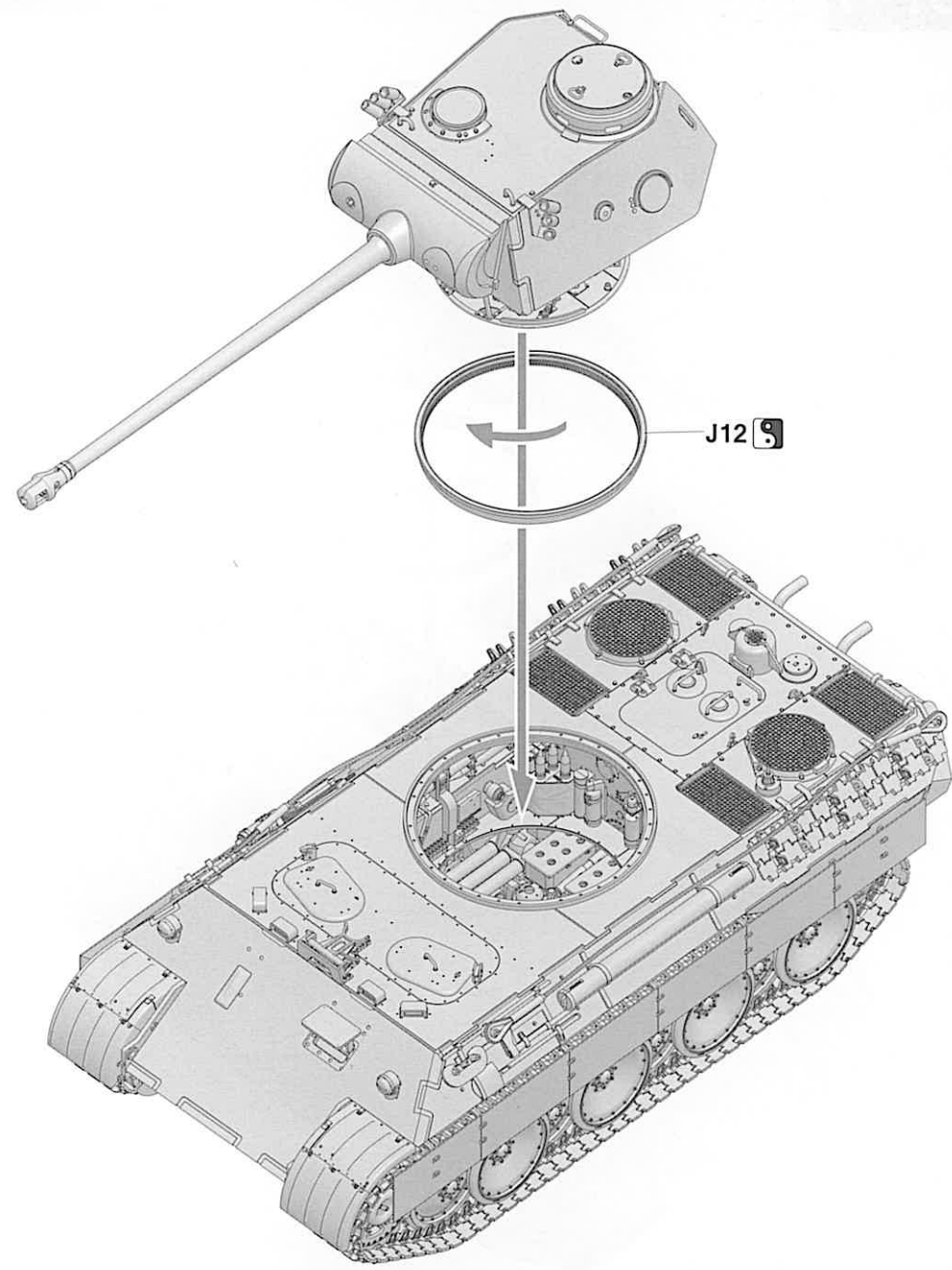


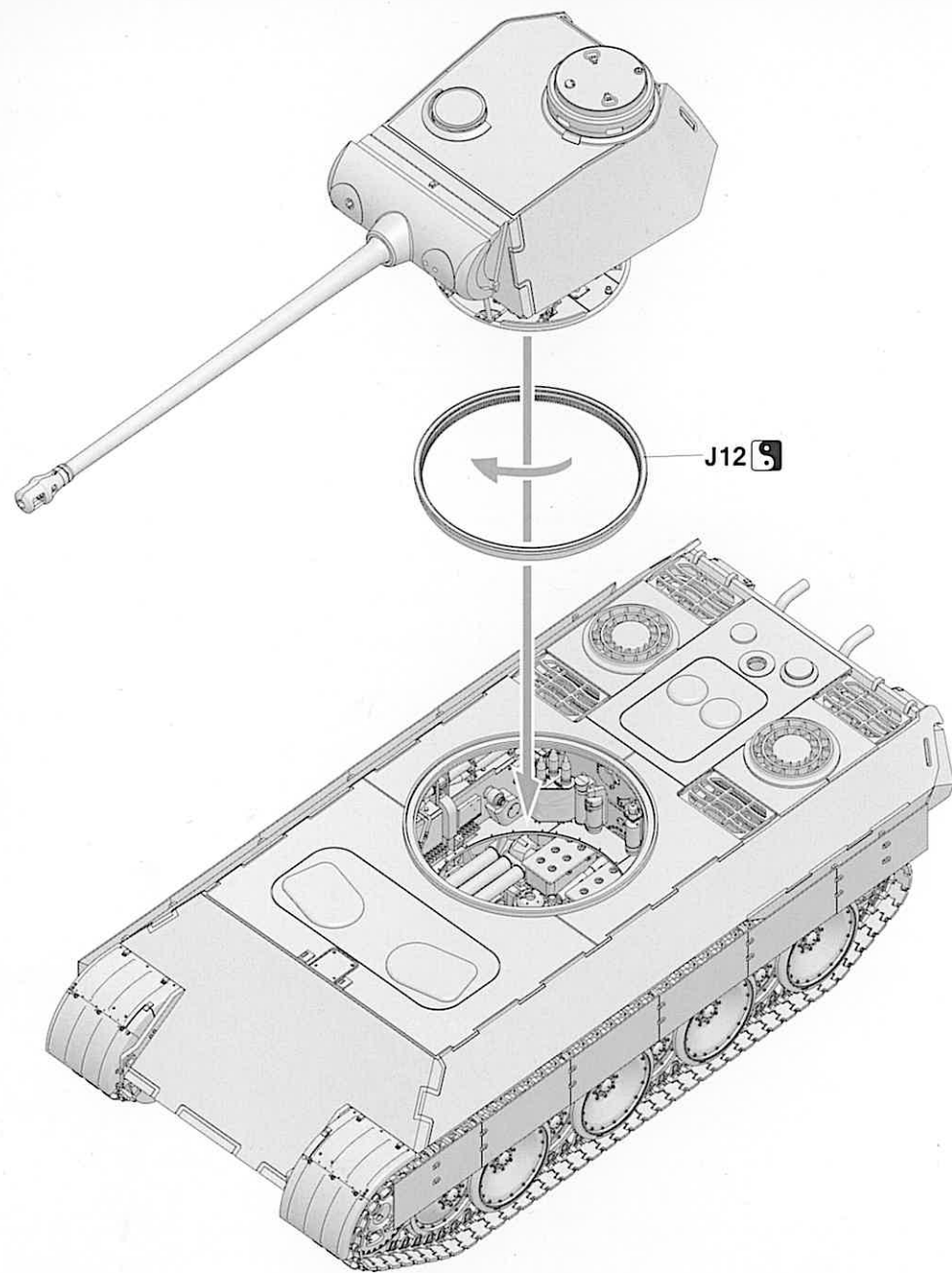

Optional






Optional





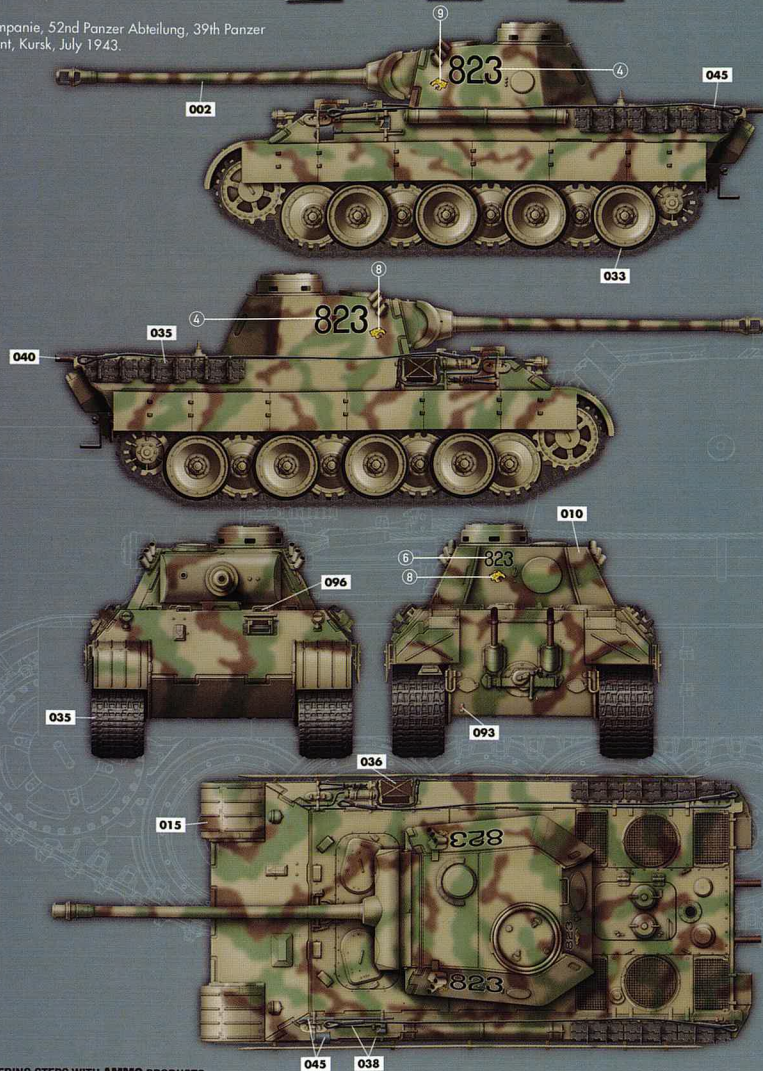
Painting and Marking Guide

TAKOM Ref: 2103

Panther Ausf.D Early/Mid Production (2 in 1)

8th Kompanie, 52nd Panzer Abteilung, 39th Panzer Regiment, Kursk, July 1943.

A.MIG 033 Rubber & Tires	A.MIG 035 Dark Tracks	A.MIG 036 Old Wood	A.MIG 038 Light Wood
A.MIG 040 Medium Rust	A.MIG 045 Gun Metal	A.MIG 093 Crystal Red	A.MIG 096 Crystal Periscope Green
A.MIG 002 Olivgrün Opt.2	A.MIG 010 Dunkelgelb Mid-war	A.MIG 015 Schokabraun	



WEATHERING STEPS WITH AMMO PRODUCTS

- | | | | |
|--|--|---|---|
| 1 GENERAL WASH
A.MIG-1000 Brown Wash for German Yellow | 3 STREAKING
A.MIG-1203 Streaking Grime | 5 TRACK WASH
A.MIG-1002 Tracks Wash | 7 MUD & SPLASHES
A.MIG-1701 Thick Soil A.MIG-1750 Dry Earth |
| 2 FILTER
A.MIG-1510 Tone for 3 tone camo | 4 RUST
A.MIG-3510 Rust | 6 DUST
A.MIG-3013 Rubbel | 8 GREASE & OIL
A.MIG-1408 Fresh Engine Oil |

Painting and Marking Guide

TAKOM Ref: 2103

Panther Ausf.D Early/Mid Production (2 in 1)

1st Kompanie, 'Großdeutschland' Panzer Regiment, Karachev, August, 1943.

A.MIG 033 Rubber & Tires	A.MIG 035 Dark Tracks	A.MIG 036 Old Wood	A.MIG 038 Light Wood
A.MIG 040 Medium Rust	A.MIG 045 Gun Metal	A.MIG 093 Crystal Red	A.MIG 096 Crystal Periscope Green
A.MIG 002 Olivgrün Opt.2	A.MIG 010 Dunkelgelb Mid-war	A.MIG 015 Schokabraun	



WEATHERING STEPS WITH AMMO PRODUCTS

- | | | | |
|--|--|---|---|
| 1 GENERAL WASH
A.MIG-1000 Brown Wash for German Yellow | 3 STREAKING
A.MIG-1203 Streaking Grime | 5 TRACK WASH
A.MIG-1002 Tracks Wash | 7 MUD & SPLASHES
A.MIG-1701 Thick Soil A.MIG-1750 Dry Earth |
| 2 FILTER
A.MIG-1510 Tone for 3 tone camo | 4 RUST
A.MIG-3510 Rust | 6 DUST
A.MIG-3013 Rubbel | 8 GREASE & OIL
A.MIG-1408 Fresh Engine Oil |

Painting and Marking Guide

TAKOM Ref: 2103

Panther Ausf.D Early/Mid Production (2 in 1)

2nd Kompanie, Panzer Regiment 'Großdeutschland',
Karachev, September 1943.

- A.MIG 033** Rubber & Tires
- A.MIG 035** Dark Tracks
- A.MIG 036** Old Wood
- A.MIG 038** Light Wood
- A.MIG 040** Medium Rust
- A.MIG 045** Gun Metal
- A.MIG 093** Crystal Red
- A.MIG 096** Crystal Periscope Green
- A.MIG 002** Olivgrün Opt.2
- A.MIG 010** Dunkelgelb Mid war
- A.MIG 015** Schokobraun



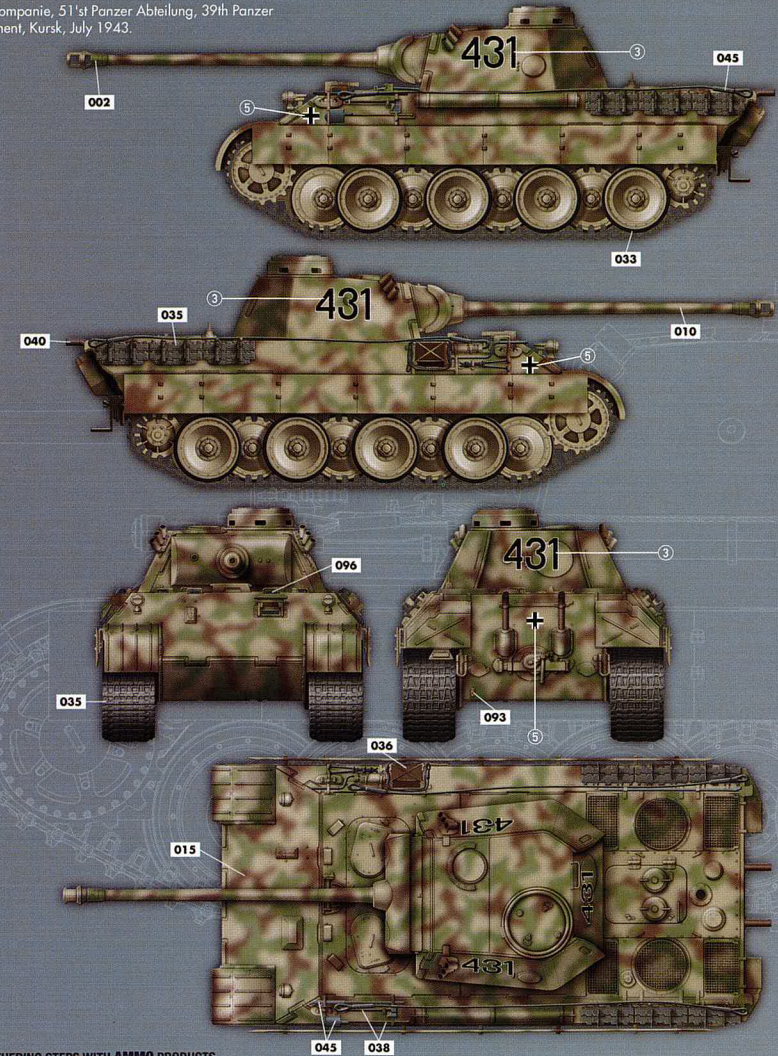
Painting and Marking Guide

TAKOM Ref: 2103

Panther Ausf.D Early/Mid Production (2 in 1)

4th Kompanie, 51st Panzer Abteilung, 39th Panzer
Regiment, Kursk, July 1943.

- A.MIG 033** Rubber & Tires
- A.MIG 035** Dark Tracks
- A.MIG 036** Old Wood
- A.MIG 038** Light Wood
- A.MIG 040** Medium Rust
- A.MIG 045** Gun Metal
- A.MIG 093** Crystal Red
- A.MIG 096** Crystal Periscope Green
- A.MIG 002** Olivgrün Opt.2
- A.MIG 010** Dunkelgelb Mid war
- A.MIG 015** Schokobraun



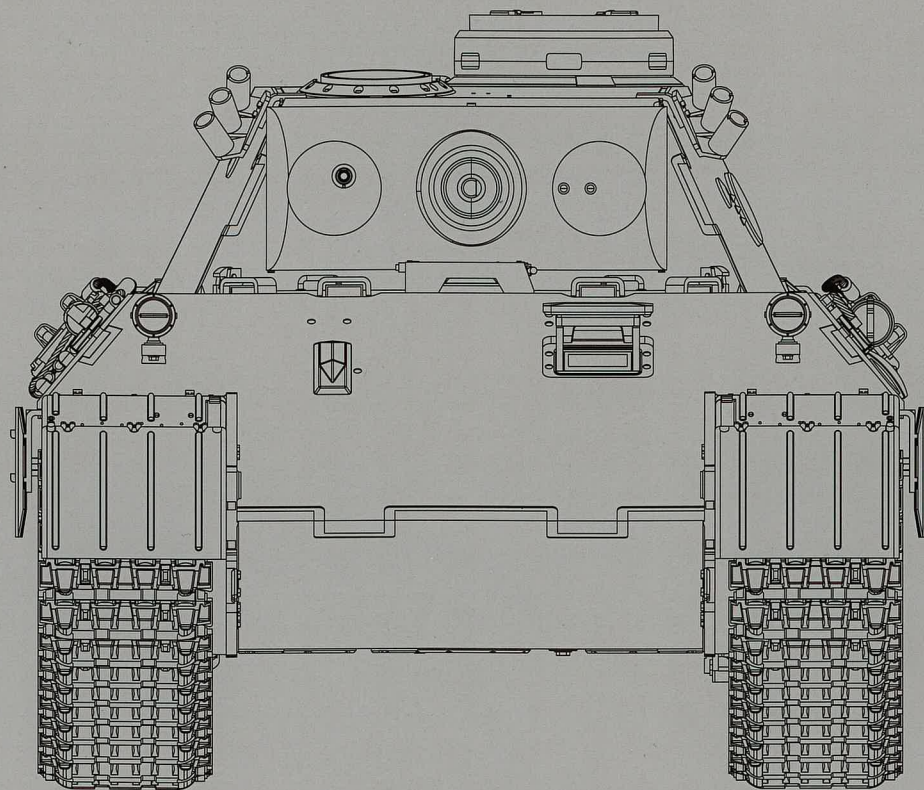
WEATHERING STEPS WITH AMMO PRODUCTS

- | | | | |
|--|--|---|---|
| 1 GENERAL WASH
A.MIG-1000 Brown Wash for German Yellow | 3 STREAKING
A.MIG-1203 Streaking Grime | 5 TRACK WASH
A.MIG-1002 Tracks Wash | 7 MUD & SPLASHES
A.MIG-1701 Thick Soil A.MIG-1750 Dry Earth |
| 2 FILTER
A.MIG-1510 Tone for 3 tone camo | 4 RUST
A.MIG-3510 Rust | 6 GREASE & OIL
A.MIG-3013 Rubbel | 8 GREASE & OIL
A.MIG-1408 Fresh Engine Oil |

WEATHERING STEPS WITH AMMO PRODUCTS

- | | | | |
|--|--|---|---|
| 1 GENERAL WASH
A.MIG-1000 Brown Wash for German Yellow | 3 STREAKING
A.MIG-1203 Streaking Grime | 5 TRACK WASH
A.MIG-1002 Tracks Wash | 7 MUD & SPLASHES
A.MIG-1701 Thick Soil A.MIG-1750 Dry Earth |
| 2 FILTER
A.MIG-1510 Tone for 3 tone camo | 4 RUST
A.MIG-3510 Rust | 6 DUST
A.MIG-3013 Rubbel | 8 GREASE & OIL
A.MIG-1408 Fresh Engine Oil |

2018/2103



You can find TAKOM on Facebook.com


① 211 211 211 ② 131 131 131


③ 431 431 431





823 ⑤ + + + ⑥ 823






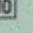
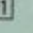
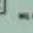
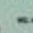
© 2018
03.04.2103 TAKOM


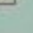
① 

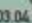

② 

③  ④  ⑤  ⑥ 

⑦  ⑧  ⑨ 

⑩  ⑪  ⑫  ⑬ 

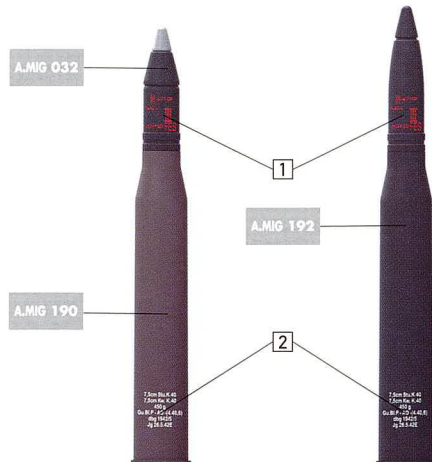
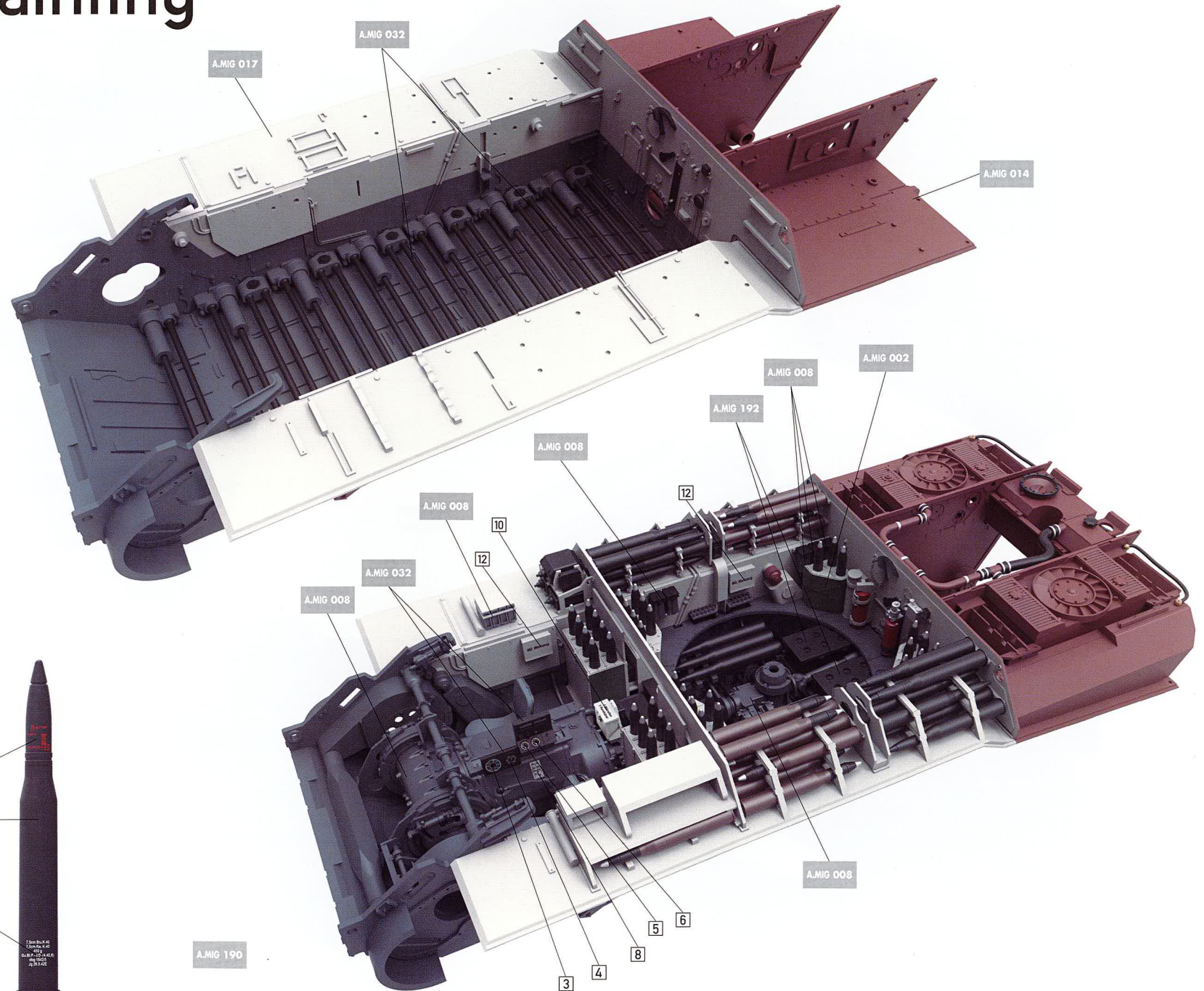
⑭  ⑮ 

⑯  ⑰ 

© 2018
03.04.2097A TAKOM

Interior Painting

Color info and profiles by



A.MIG 190

