

E-100 Heavy Tank – Krupp Turret

德国E-100重型坦克-克虏伯炮塔

READ BEFORE ASSEMBLY:

- Study and understand these instructions thoroughly before beginning assembly
- When needed, remove photo-etch parts carefully using a modeling knife or photo etch sprue cutter, being careful not to damage or lose small parts.
- Take extra care in handling photo etch parts in order to avoid injury
- Apply instant cement sparingly to photo etch parts where instructed
- Tools recommended(not included in kit):Plastic and instant cements, sprue cutters,long nose pliers,modeling knife, small files, tweezers, pin vise & scissors. Soft cloth and sandpaper will also assist in construction
- Glue and paint are not included in the kit. Use plastic cement and hobby paints only. Color guide for purchasing paint is included in the kit.

装配之前仔细阅读

- 小心用模型锉刀锉平所有零件表面的注射浇口。
- 小心用刀片切下蚀刻片零件，不要遗失小零件。
- 用强力快干胶水粘合蚀刻片零件和金属轴。过量快干胶水使用可能导致可动零件会粘住，小心涂胶。
- 取蚀刻片时应特别注意安全，防止利边划伤手指。
- 某些零件表面需贴水上贴纸，请选择在装配的同时进行。
- 推荐模型工具(自备)：胶水，水口剪刀，长咀钳，刀片，锉刀，镊子，钳，钻，剪刀，瞬间快干胶。
- 软布同砂纸同时也应该是必备工具。
- 请使用塑料胶水和油漆，模型内不含。



配重
Weight



使用强力胶
Cyanoacrylate glue



钻孔
Make hole



切除
Cut / Remove



贴纸
Decal



锉平
File / Sand



选择
Option



不涂胶水
No cement



弯曲
Bend



先装
Install it first

水贴纸的使用:

- 1.从水贴纸上剪下印花;
- 2.将印花放入温水中浸10秒, 然后放在干净布上。
- 3.拿着印花纸板将印花移到模型上;
- 4.手指蘸水将印花移到适当的位置;
- 5.用软布轻压印花直至水干, 汽泡消失

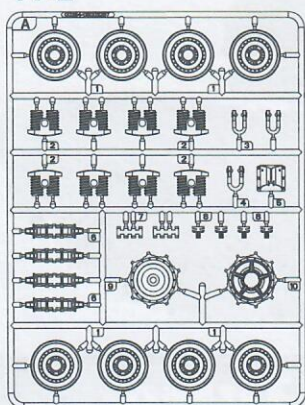
DECAL APPLICATION

- 1.Cut decals from sheet as needed
- 2.Dip the decal in warm water for about 10 seconds and then place on soft clean cloth.
- 3.Hold the decal backing sheet edge and gently slide the decal onto the model in its proper position.

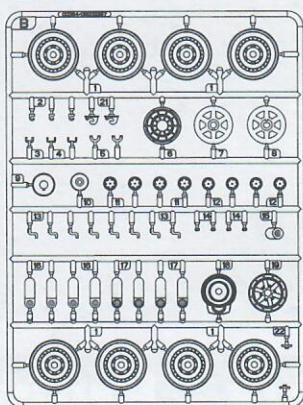
- 4.While still wet,decal can be adjusted for better fit on model by dampening it gently with your finger.
- 5.When placed in the proper position,gently press decal down with a soft cloth until excess water and air bubbles are gone.
- 6.Allow decal to dry completely before handling model

部品图 Parts

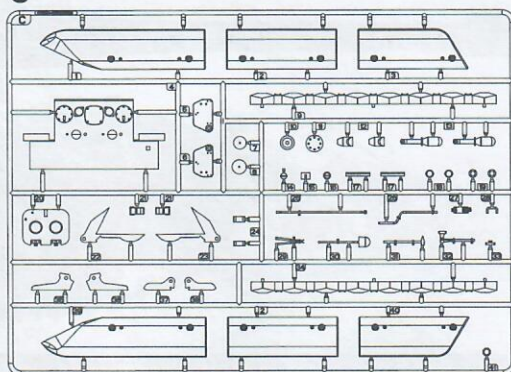
A×2



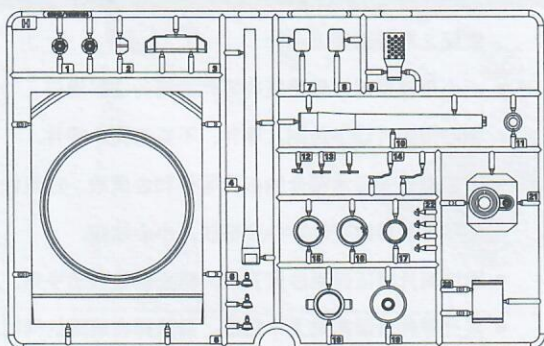
B×2



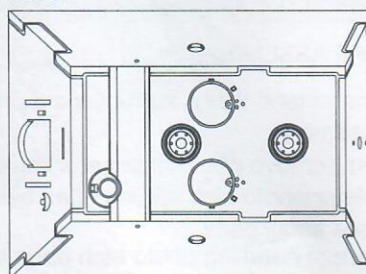
C



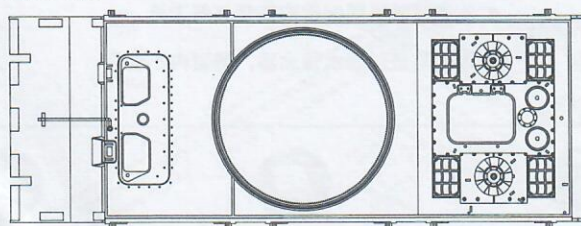
H



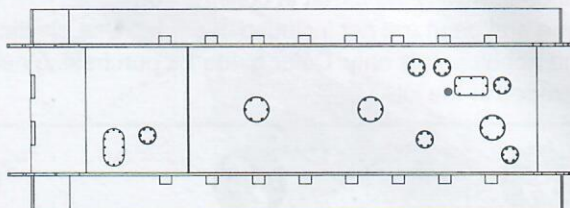
《炮塔》
Turret



《车面》
Upper hull



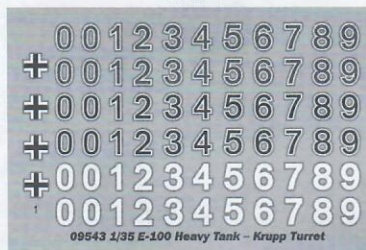
《车底》
Lower hull



PE



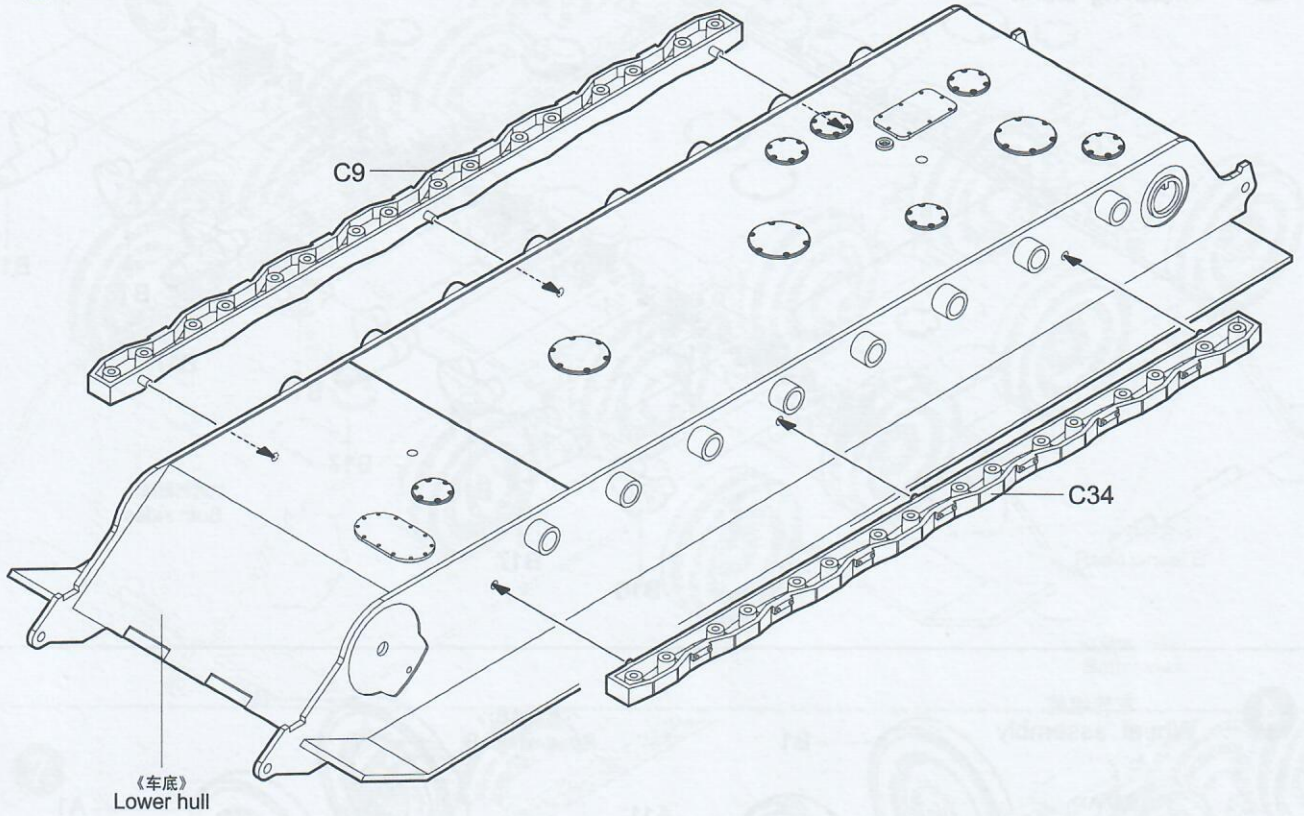
《水贴》
Decal



《履带》
Track × 2

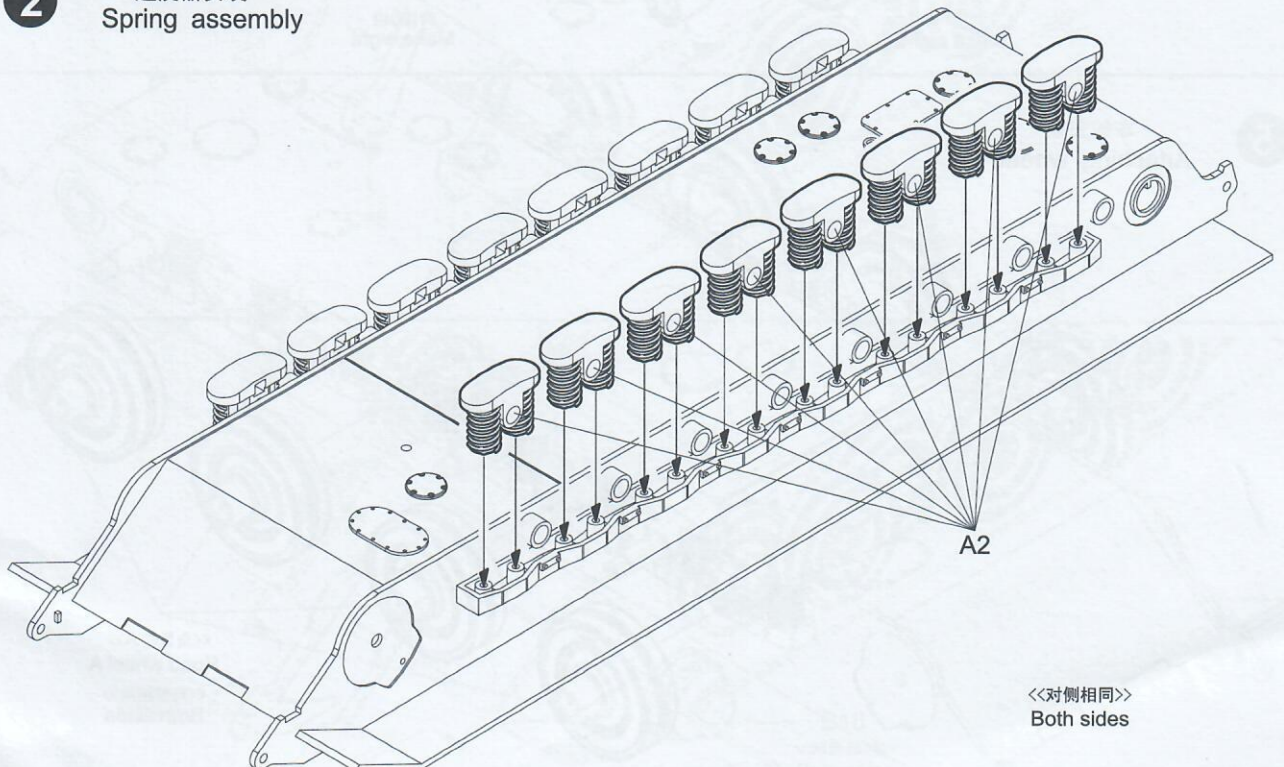


1



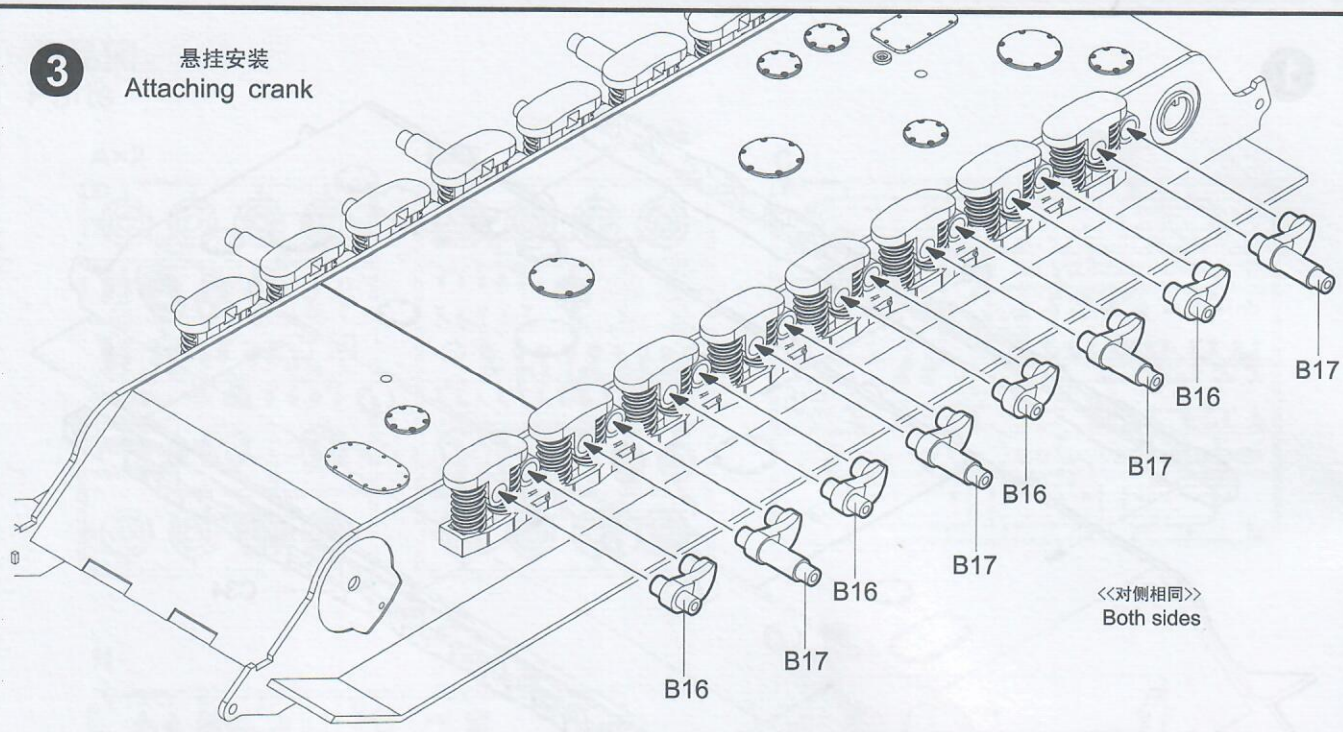
2

避震器安装
Spring assembly



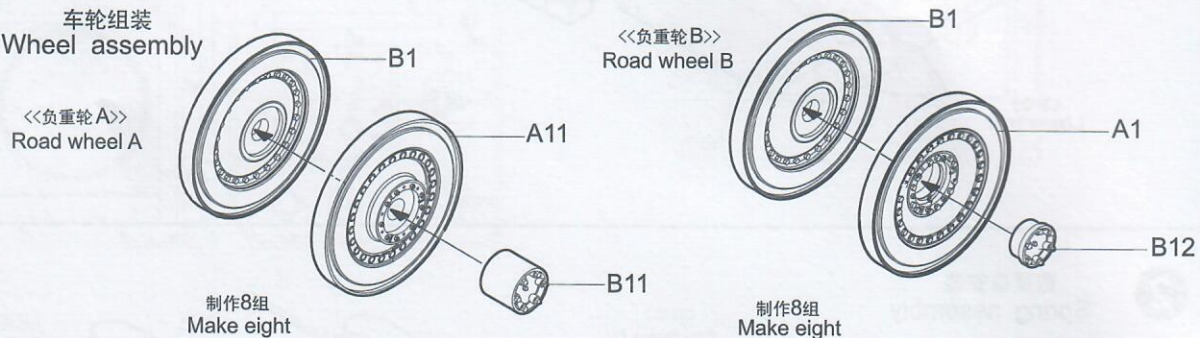
3

悬挂安装
Attaching crank



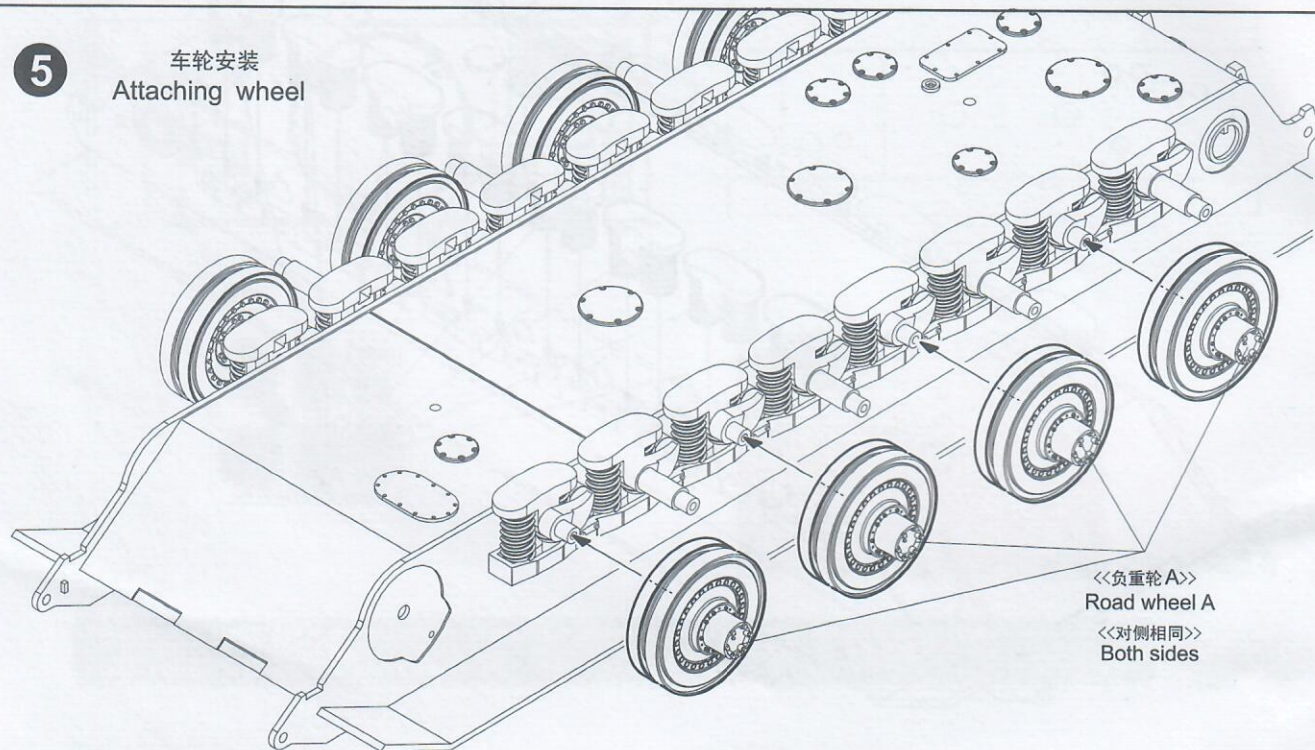
4

车轮组装
Wheel assembly



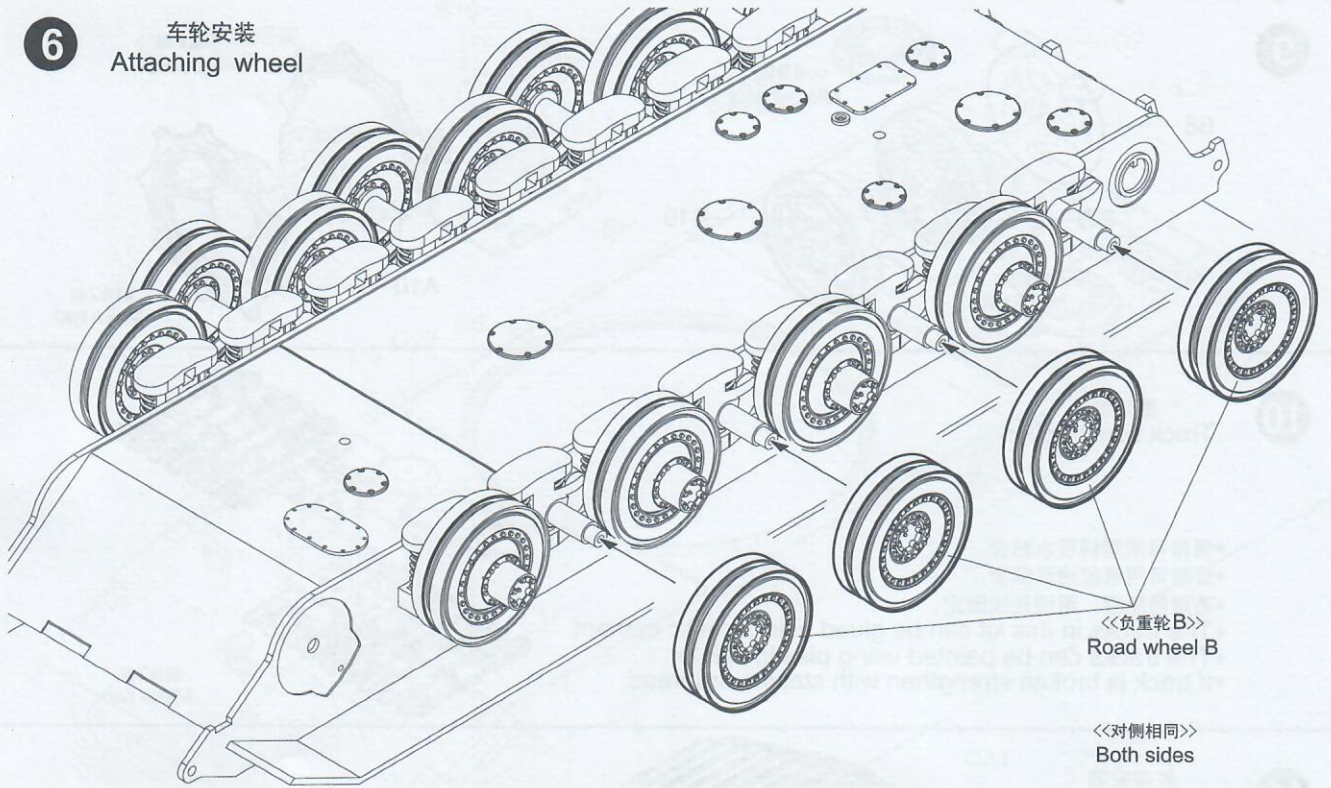
5

车轮安装
Attaching wheel

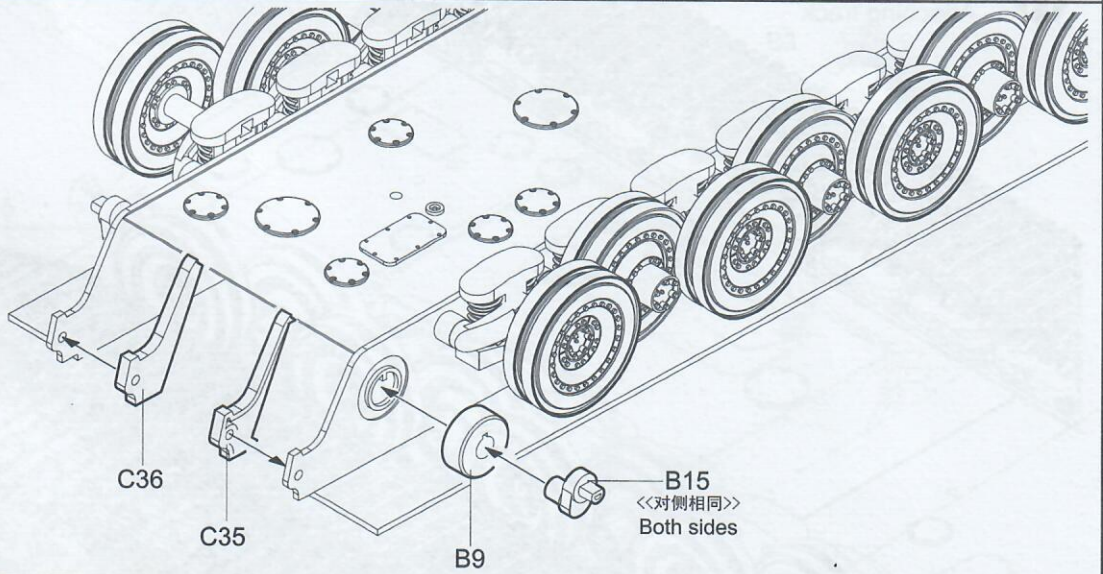


6

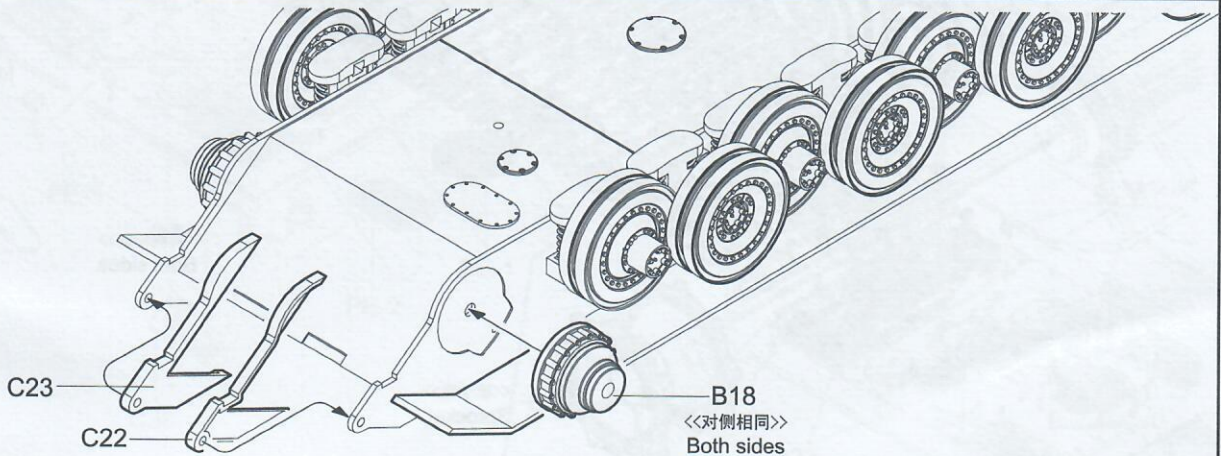
车轮安装
Attaching wheel



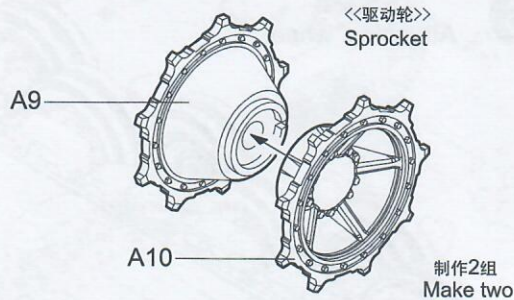
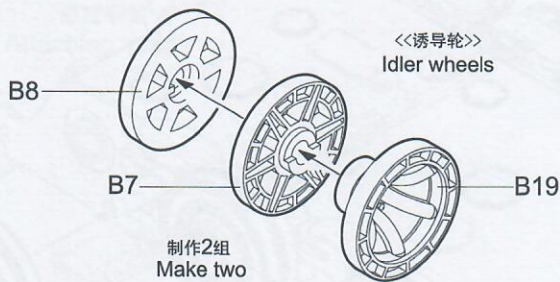
7



8



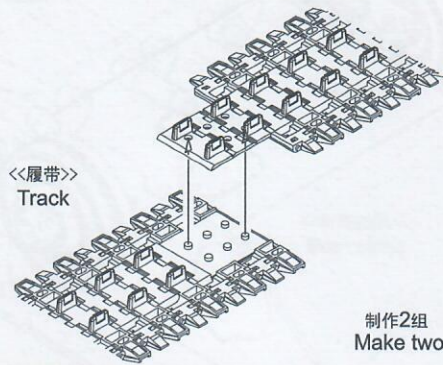
9



10

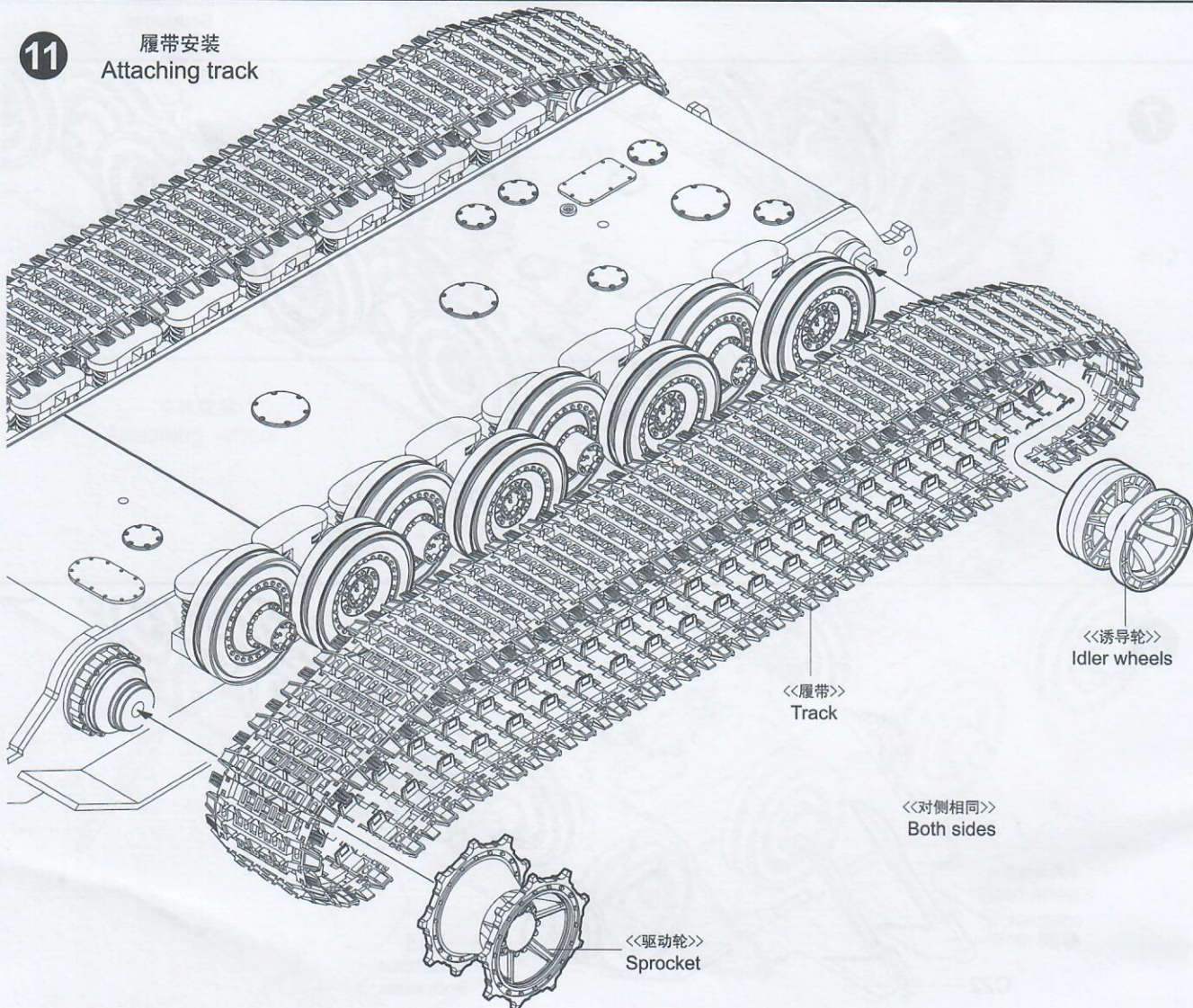
履带联接 Track construction

- *履带可用塑料胶水粘合。
- *履带可用模型油漆喷涂。
- *若履带断裂，用细丝线固定。
- *The tracks in this kit can be glued using plastic cement.
- *The tracks can be painted using plastic paints.
- *If track is broken strengthen with staples or thread.



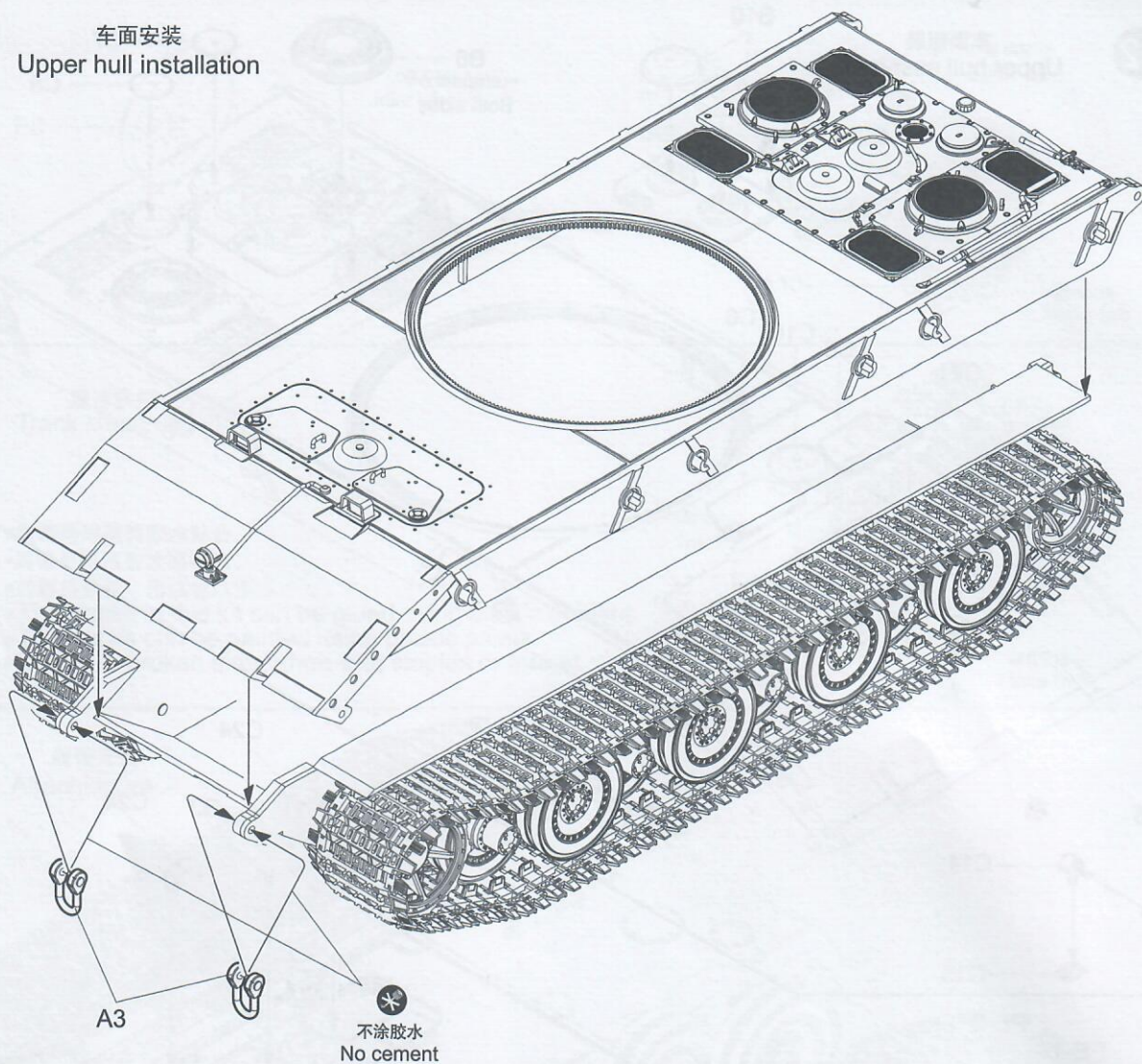
11

履带安装 Attaching track



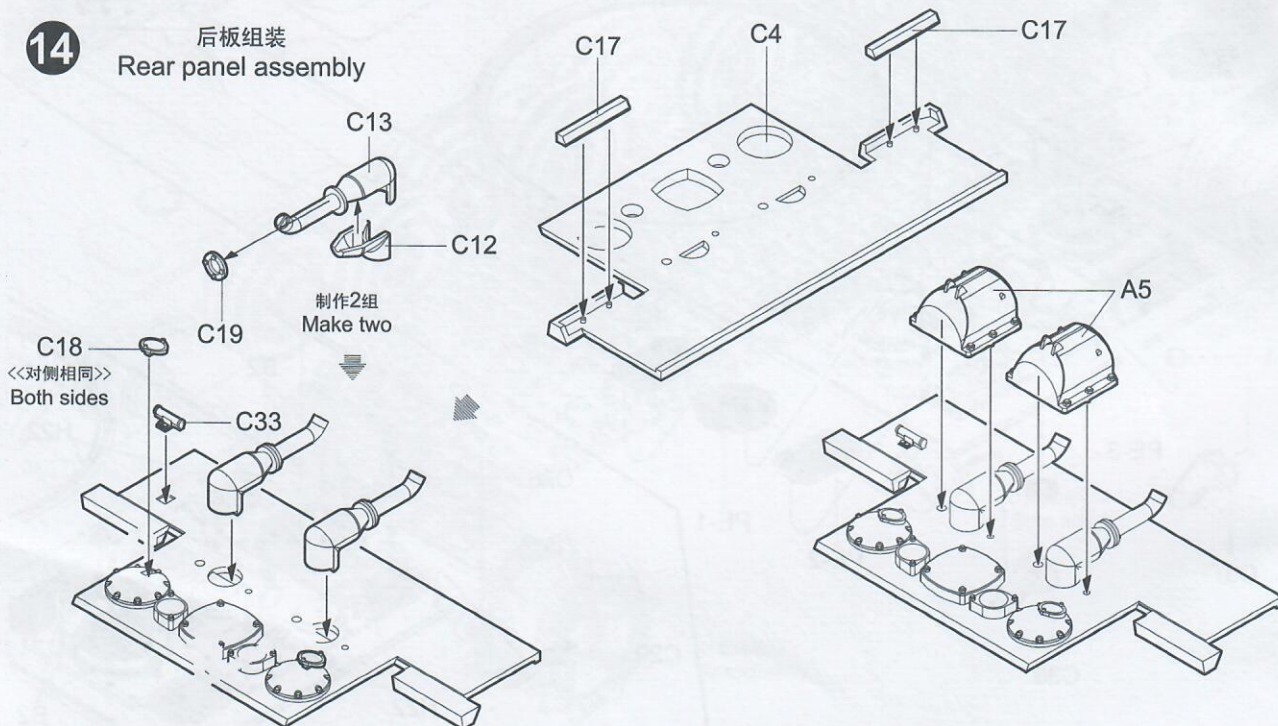
13

车面安装
Upper hull installation



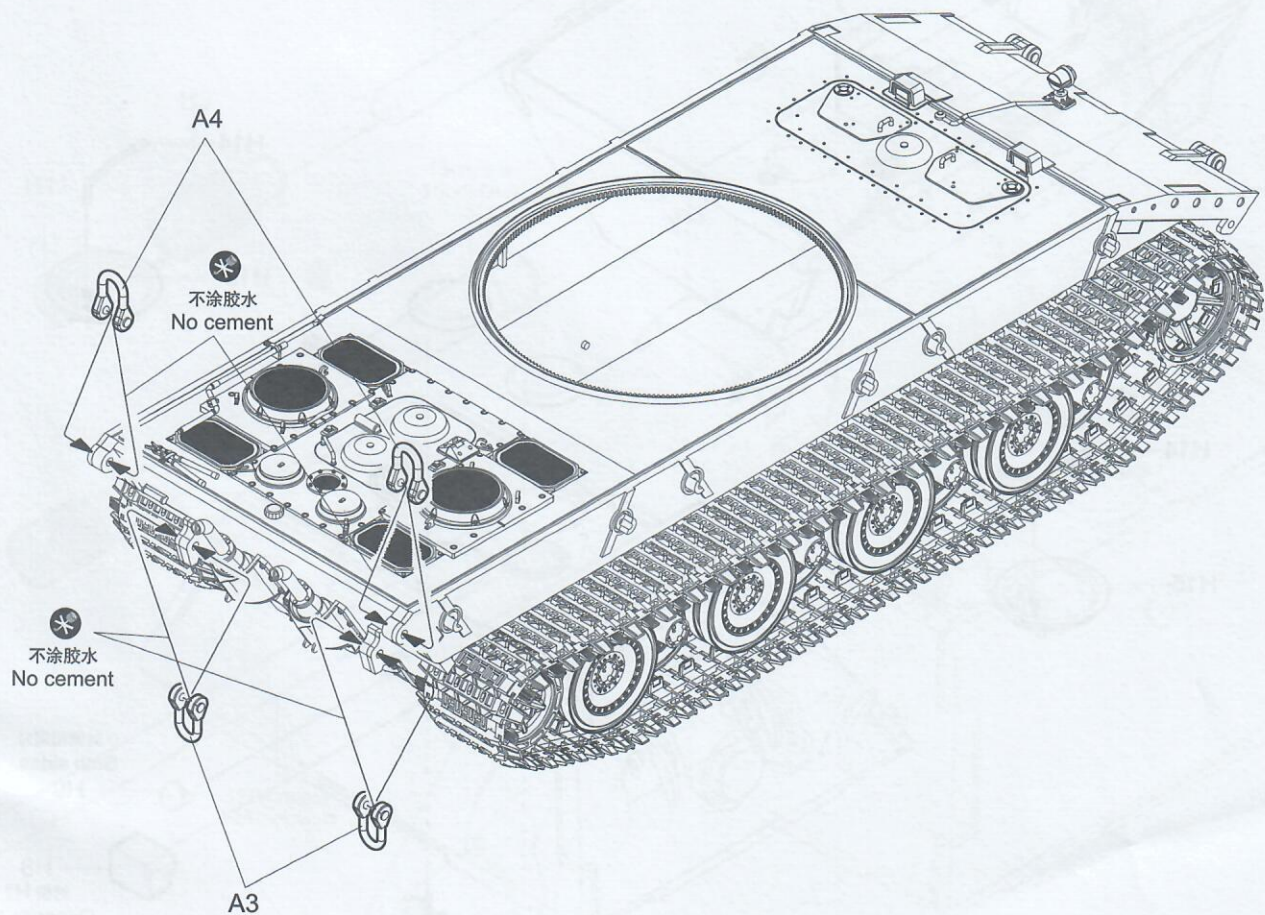
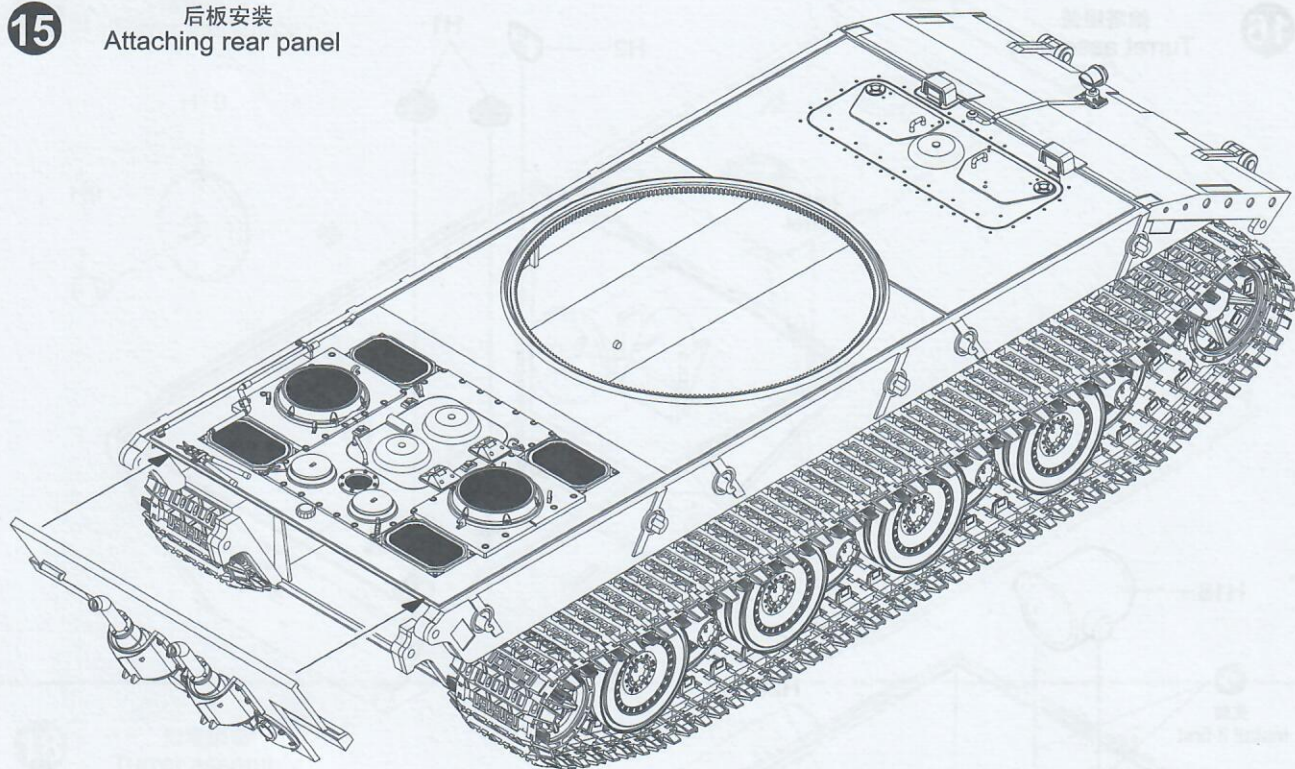
14

后板组装
Rear panel assembly



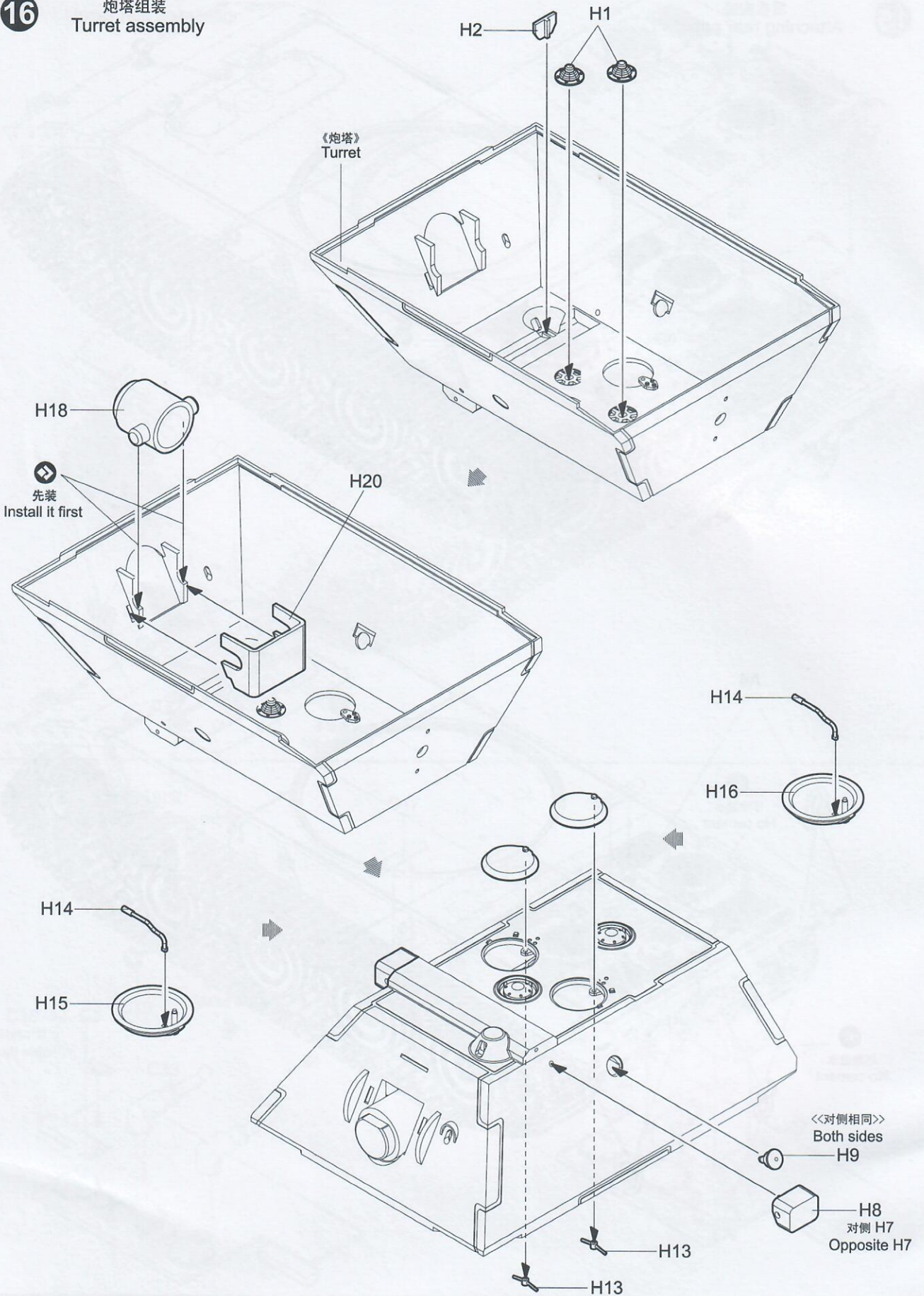
15

后板安装
Attaching rear panel



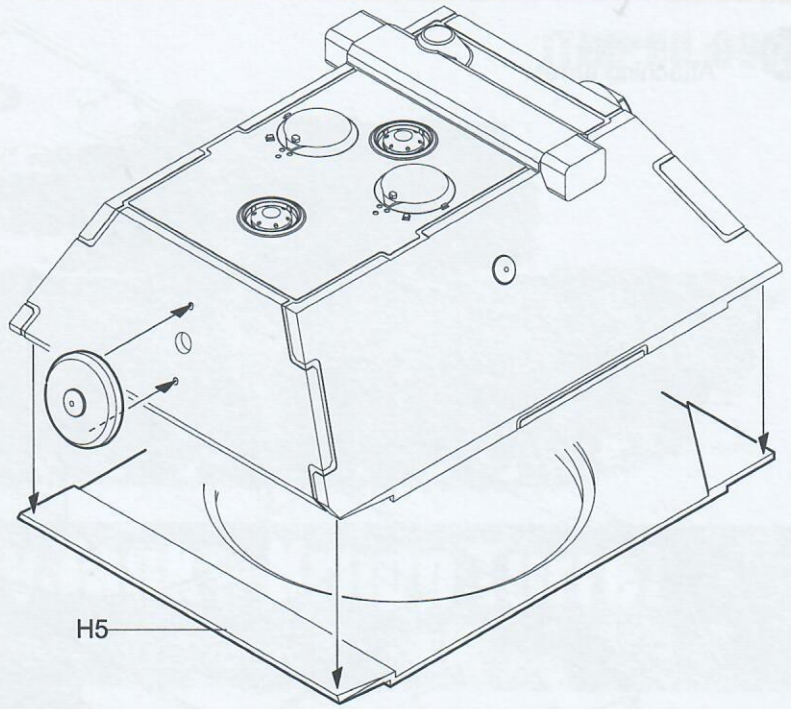
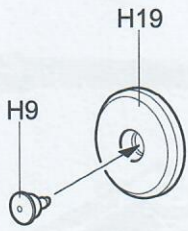
16

炮塔组装
Turret assembly



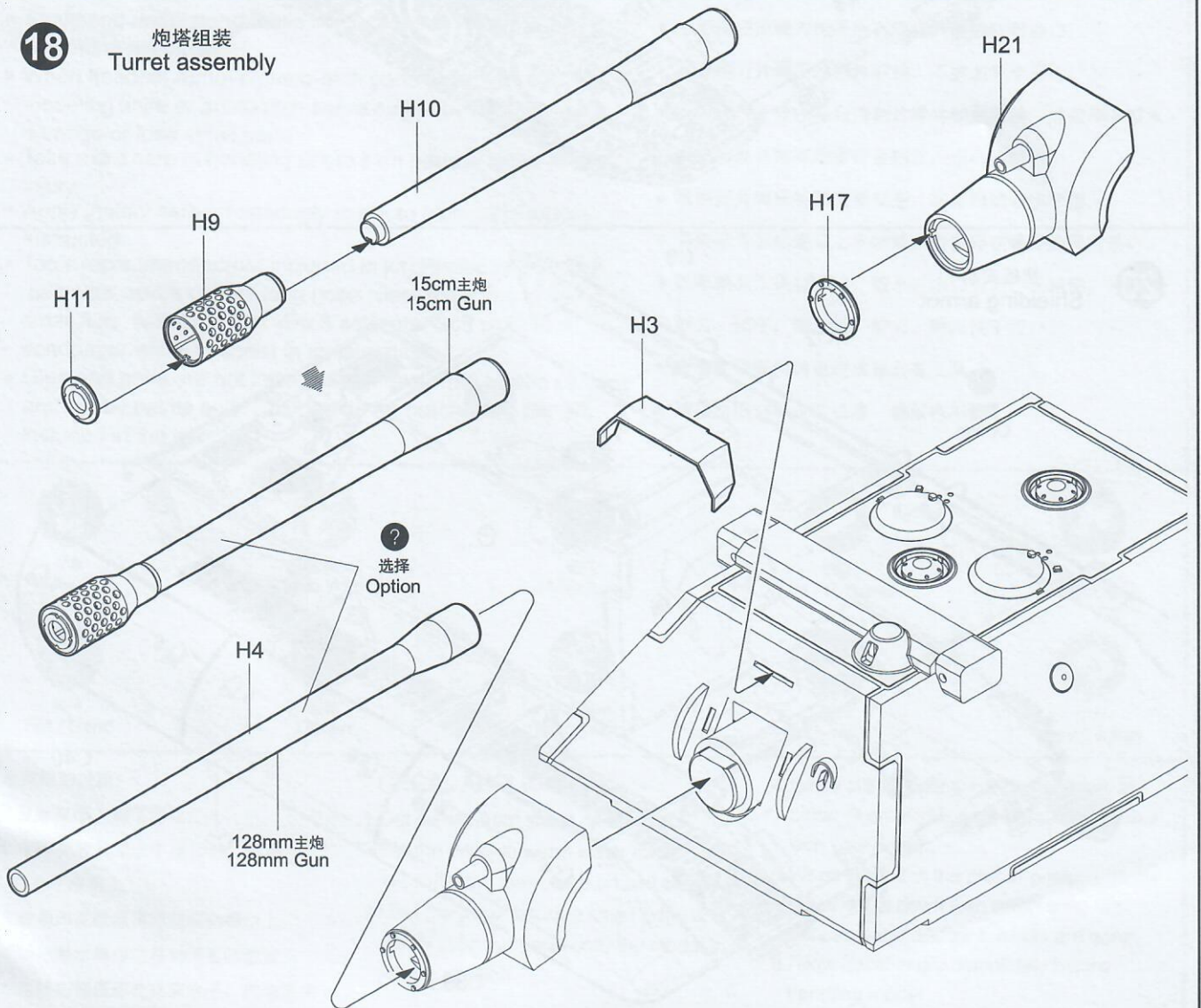
17

炮塔组装
Turret assembly



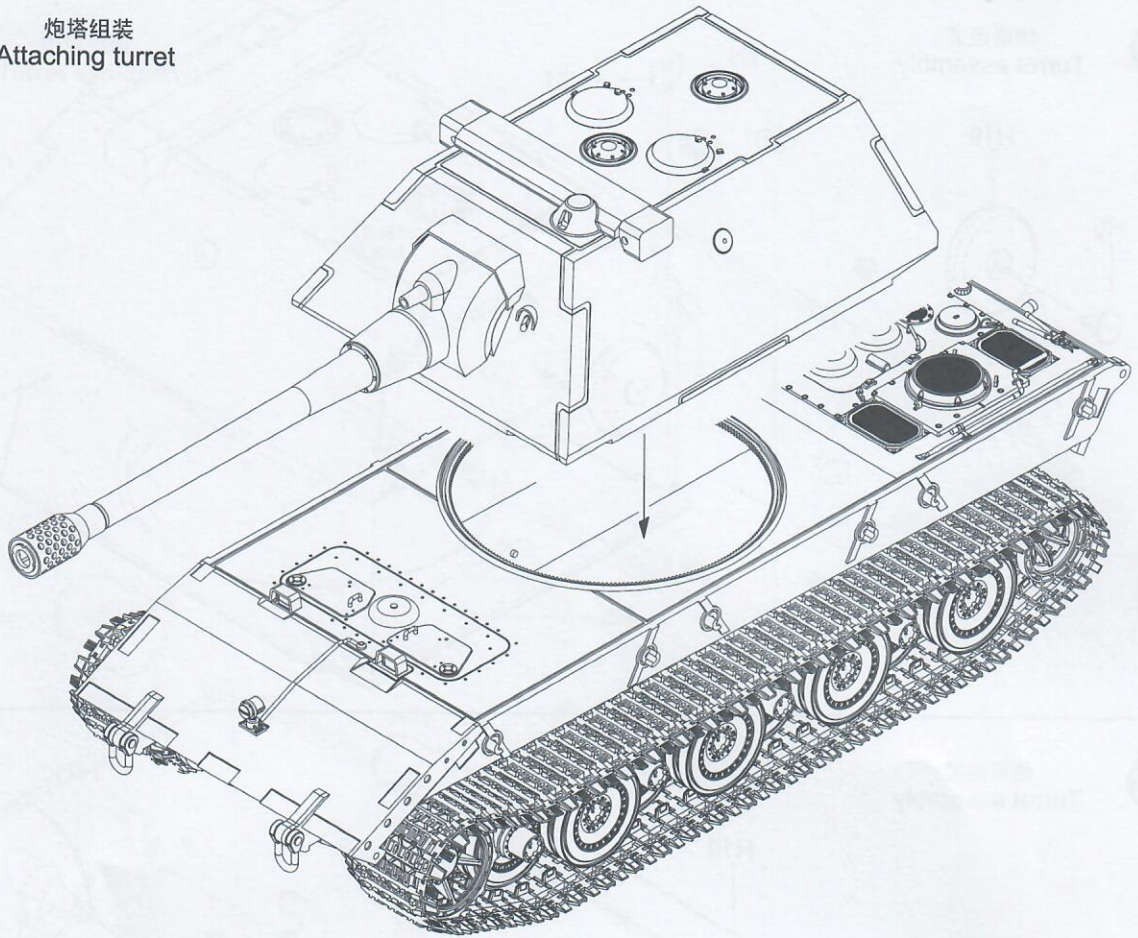
18

炮塔组装
Turret assembly



19

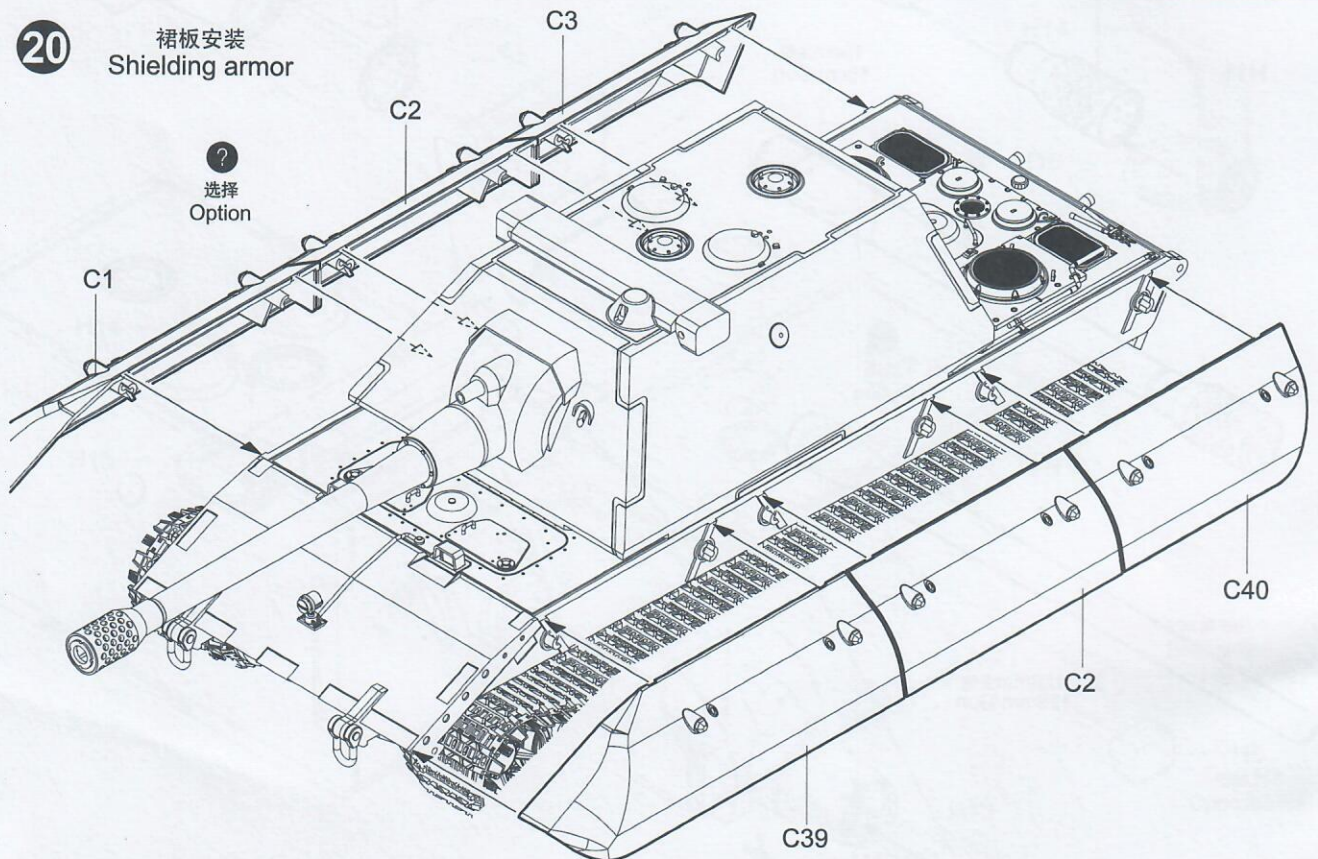
炮塔组装
Attaching turret



20

裙板安装
Shielding armor

?
选择
Option



涂装同标贴指示

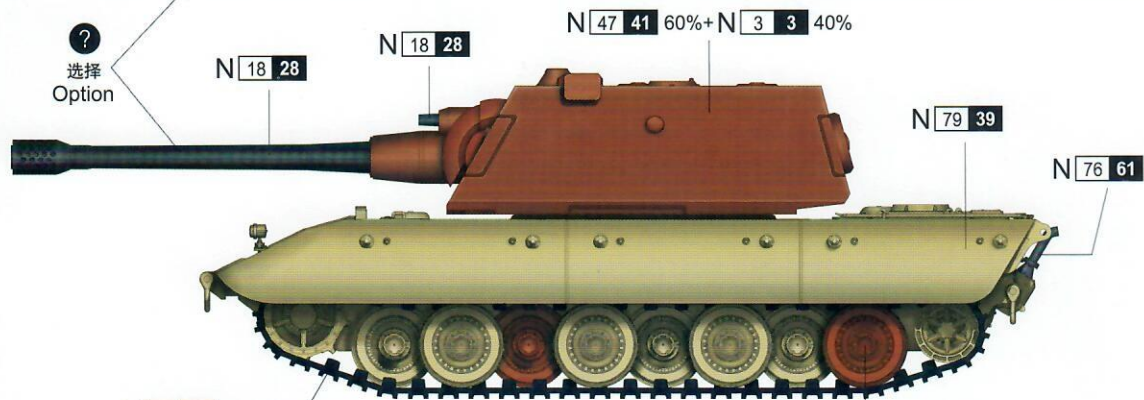
Painting & Marking guide

PAINT REFERENCE COLOUR

Color	Mr.Hobby	Vallejo	Model Master	Tamiya	Humbrol
Red Brown 红棕色	N 47 41	984	-	XF64	160
Sandy Yellow 砂黄色	N 79 39	824	-	XF59	93
Red 红色	N 3 3	908	1503	X7	19
Steel 黑铁色	N 18 28	864	1402	-	-
Burnt Iron 烧铁色	N 76 61	863	1795	X10	53

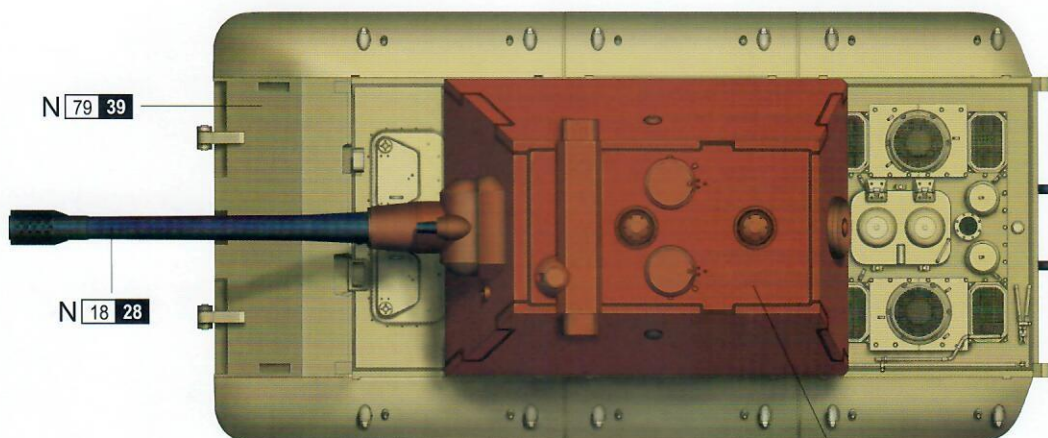


①
选择
Option



N 18 28

N 47 41 60%+ N 3 3 40%



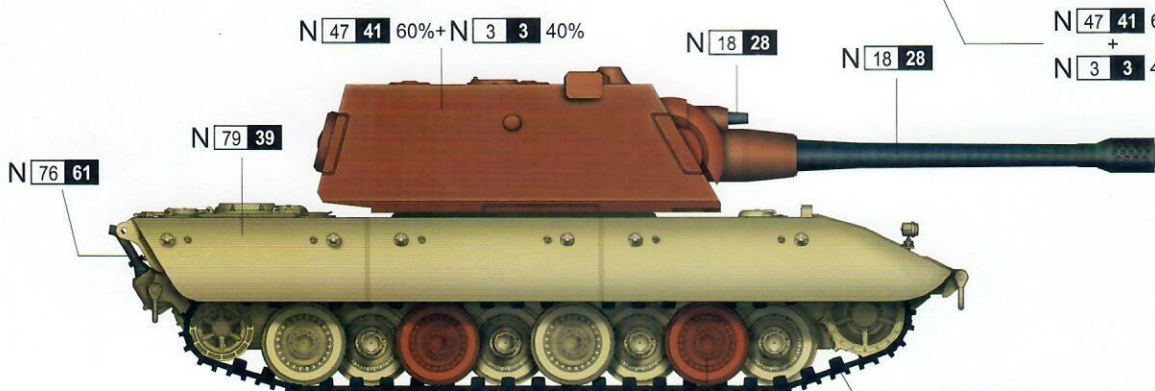
N 47 41 60%+ N 3 3 40%

N 18 28

N 18 28

N 47 41 60%

+ N 3 3 40%



N 18 28

N 47 41 60%+ N 3 3 40%

N 47 41 60%

+ N 3 3 40%

N 79 39

N 79 39

N 47 41 60%

+ N 3 3 40%

N 76 61

N 18 28

N 18 28

H AQUEOUS HOBBY COLOR Mr. COLOR