



# 1/32

## WWII Luftwaffe Dornier Pfeil DO 335 B-2 Zerstörer

Heavily Armed Version

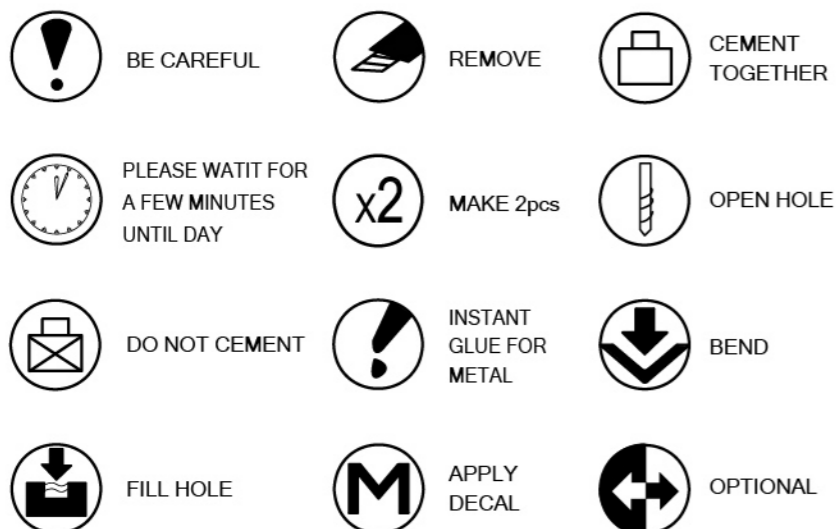


**Plastic model kit containing 282 parts. Nose weight included. Wing span : 485mm Length : 433mm**

The Dornier Do-335 "Pfeil" ("Arrow") was the fastest piston-engined German Luftwaffe aircraft of WWII, and was also the only military aircraft of the time to feature a "push-pull" engine layout airframe. The B-Series "Zerstörer" ("Destroyer") was a heavily armed version intended specifically for the heavy daylight fighter and interceptor roles, with the first two prototypes (M13 and M14) being completed during 1944-1945. These prototypes were single-seat high-speed destroyers, powered by two DB 603E engines in a push-pull configuration. The Do-335 B-2 version featured impressively heavy armament consisting of three MK 103 30mm cannons (two in the wings and one firing through the forward engine) and two cowl-mounted MG 151 20mm cannons.

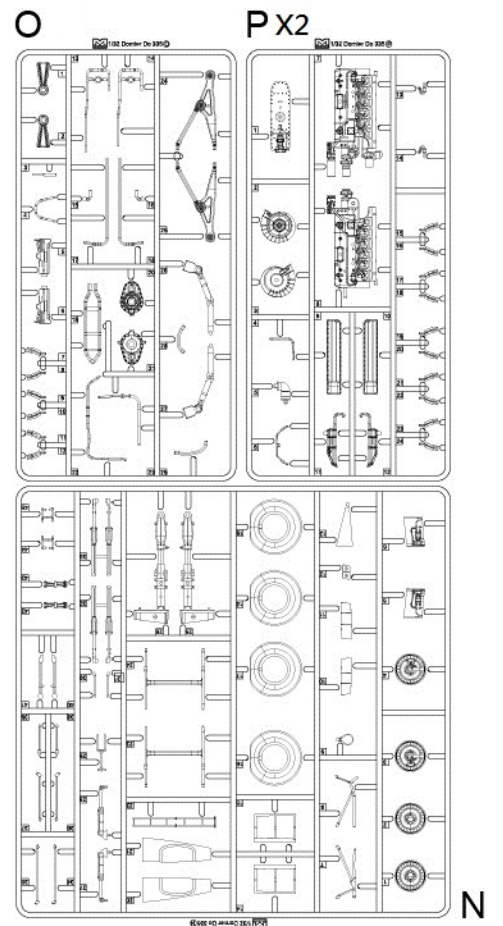
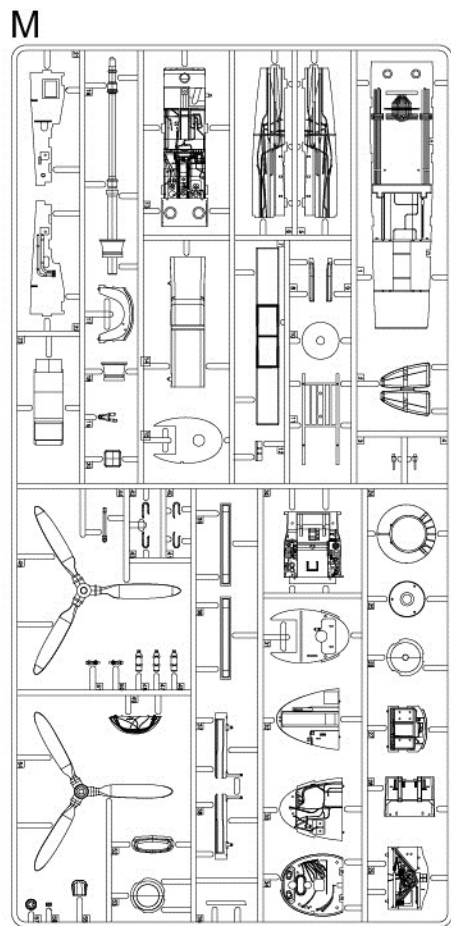
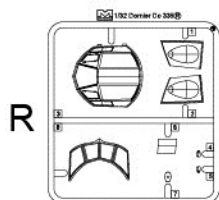
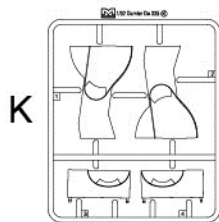
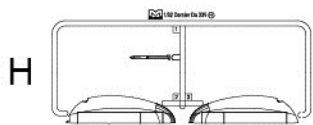
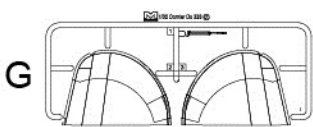
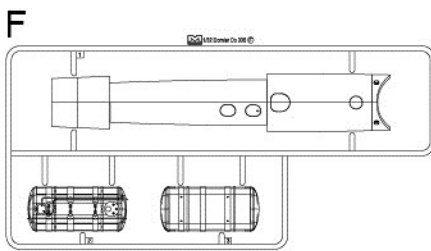
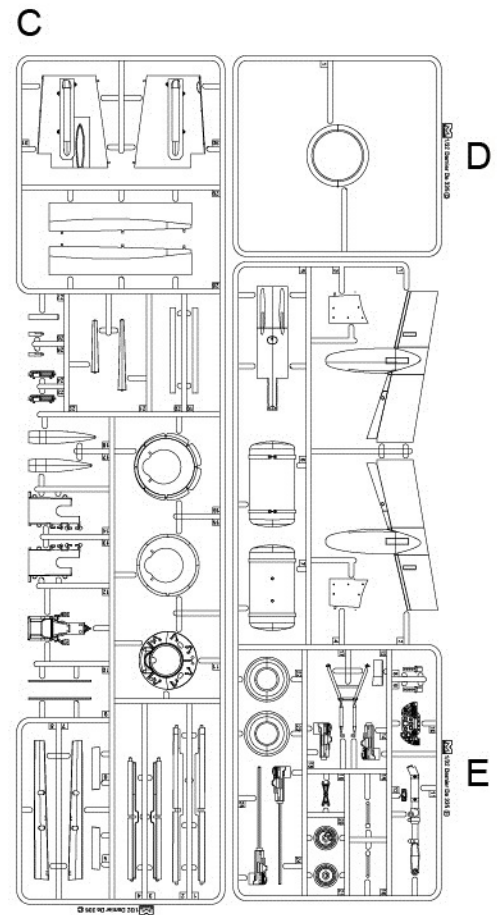
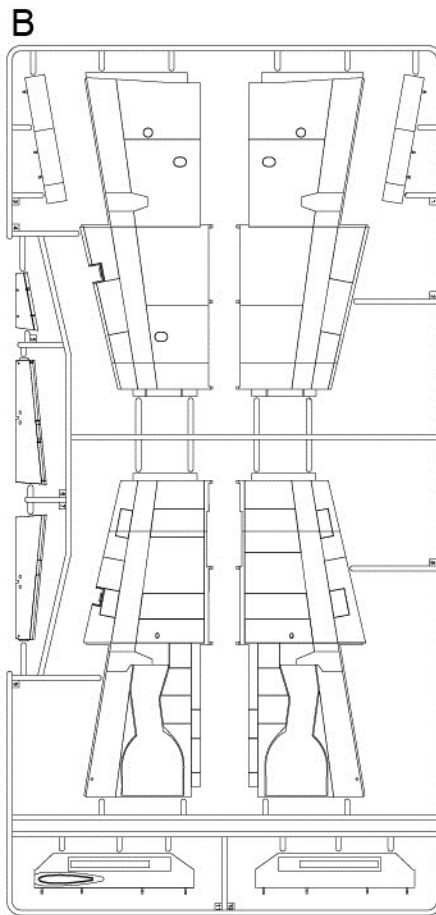
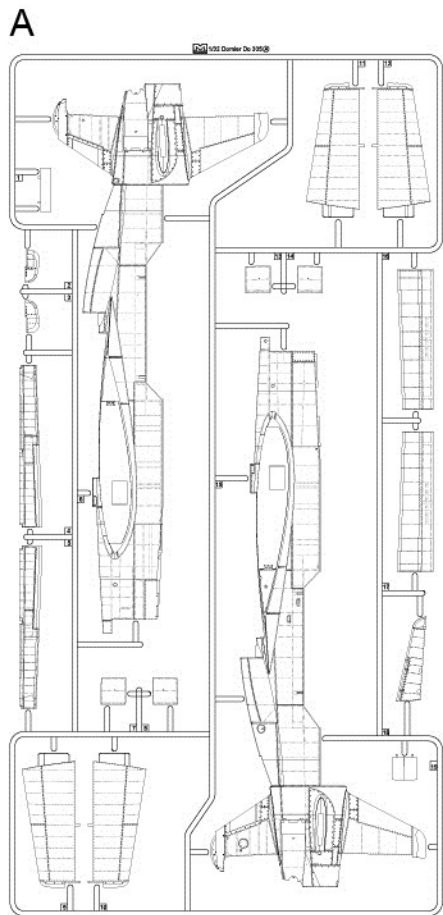
### CAUTION

- \* When you use glue or paint, do not use near a open flame, and use in a well-ventilated room.
- \* Symbols such as ① refer to the color number of RML, TAMIYA and GUNZE paints. Glue and paint are not included.
- \* When you take parts off the runner, use plastic nippers and trim excess plastic with a cutter or a file.
- \* See the list below for the meaning of symbols.



These instructions were written based on an experienced modeler's recommendations. We do understand that there are one or two logical assembly sequences, and each and every modeler has their own preferences for the order that they build and paint their models. Therefore, we recommend strongly that every proud owner of this giant kit study the instructions thoroughly, then follow their own preferences for the sequence of assembling and painting the model. Like many scale plastic kits on the market, this kit is built around subassemblies. This is the best way to facilitate maximum ease of assembly and painting. As the kit tries to depict the gear down position as accurately as possible, please take special care and follow the instructions carefully when assembling the landing gear. Finally we must advise you to be very careful when using sharp tools such as modeling knives, drills and cutters. Photo-etch pieces are included so also be very careful with the use of super glue. It will stick your fingers together if used improperly. If that should happen, don't attempt to tear your fingers apart by brute force. Use de-bonder from the super glue manufacturer or nail polish remover to dissolve the glue or simply let your fingers stick together for a short period of time and they should come apart with the help of the metabolism of the human skin. There are many model paints on the market, but being an environmentally-conscious brand, we recommend using acrylics, a water-based paint that does the least harm to the environment. This is a complex kit that will provide hours and hours of enjoyment. However, this kit is meant for modelers aged 14 and over as it contains many small and sharp parts, so please keep it out of the reach of small children.

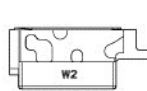
# BOX CONTENTS



W1

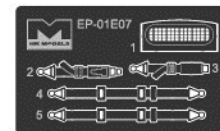


W2



2 Nose Weight Pieces

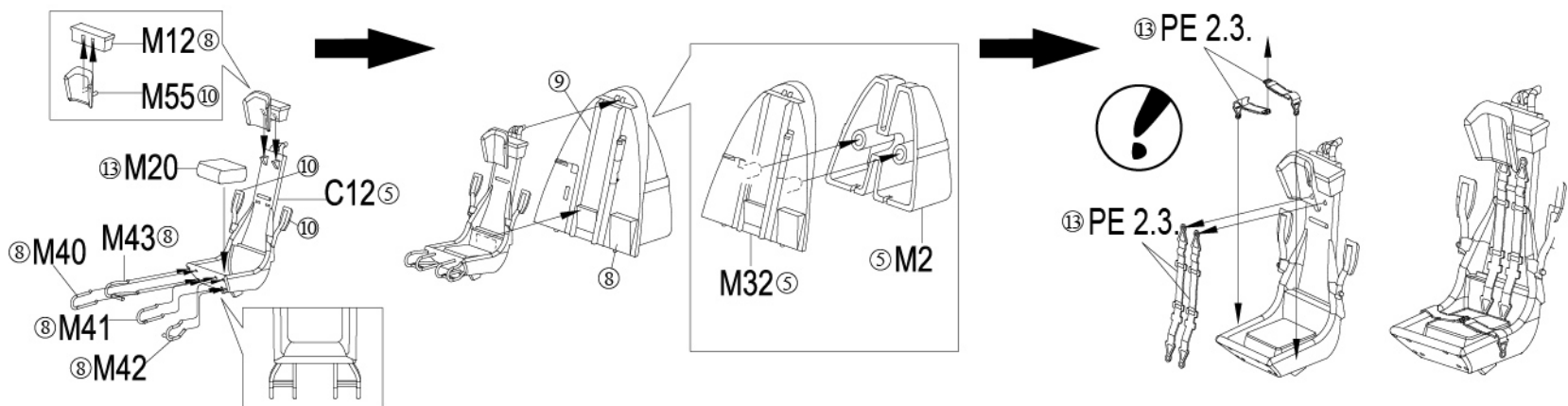
PE



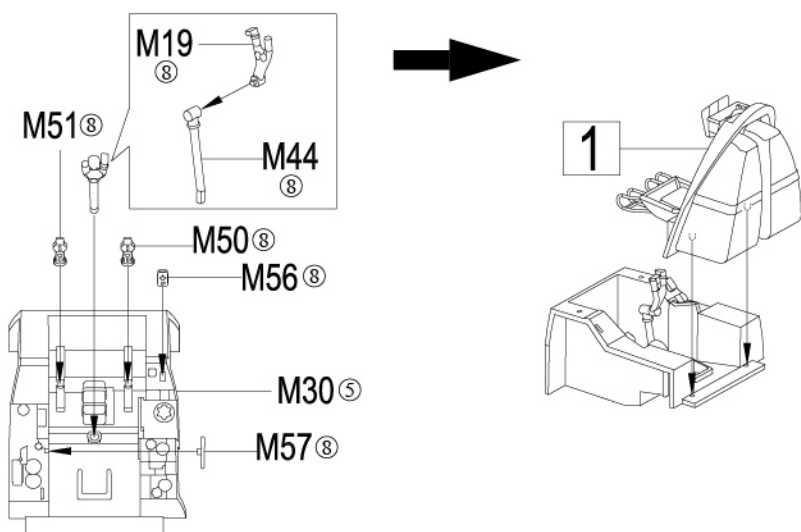
# COLOUR GUIDE

	Suggested Paint Location	Color Description	RLM	TAMIYA	GUNZE
①	Top Camouflage 1	Light Green	82	XF-5:1 + XF-2:1	H422
②	Top Camouflage 2	Brown Violet	81	TS-2	H421
③	Lower Surface	Light Blue	76	XF-23 + XF-2	H417
④	Propeller and Spinner	Black Green	70	XF-62 + XF-49	H65
⑤	Cockpit Interior	Black Grey	66	XF-22	H416
⑥	Gun	Gun Metal		X-10	H38
⑦	Engine	Metallic Grey		XF-56	H8
⑧	Metal	Semi Gloss Black		X-18	H56
⑨	Bolts, Shaft, Tubing	Aluminum		XF-16	H49
⑩	Leather Head Rest	Dark Brown		XF-10	H313
⑪	Tires	Flat Black		XF-1	H12
⑫	Oxygen Tanks	Blue		X-14	H-25
⑬	Seat Belt	Dark Grey		X-24	H305

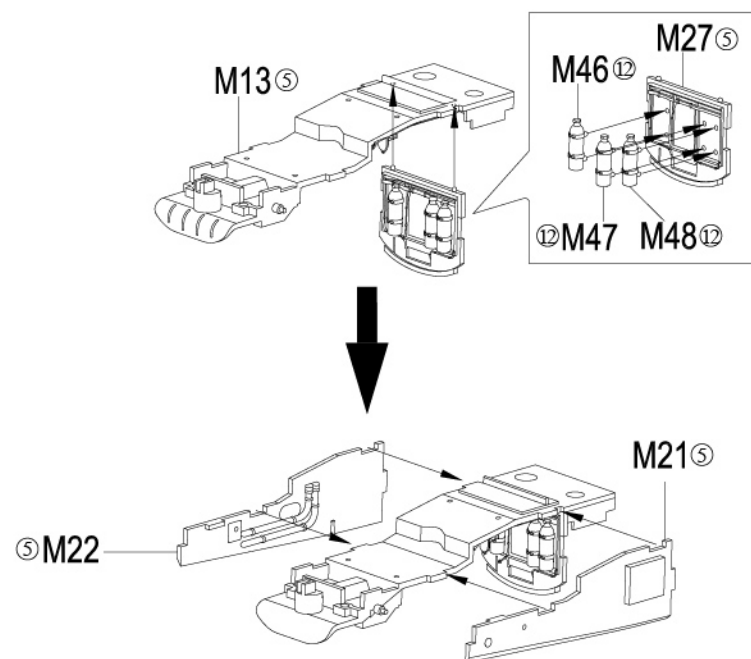
## 1 Ejection seat assembly



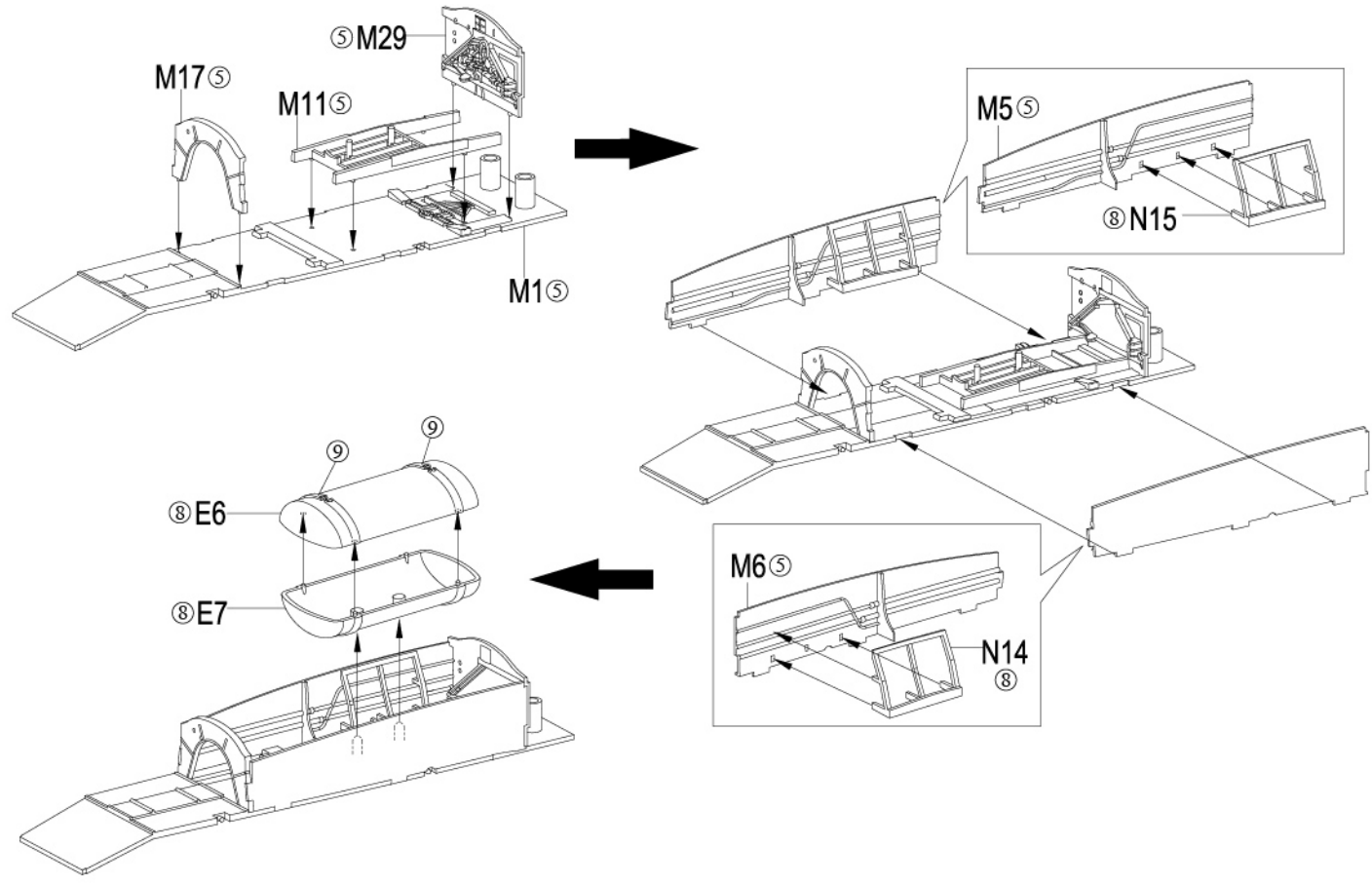
## 2 Cockpit assembly



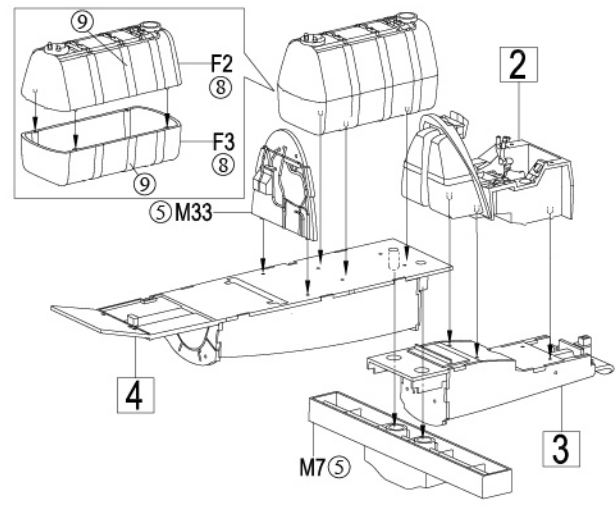
## 3 Landing gear bay assembly



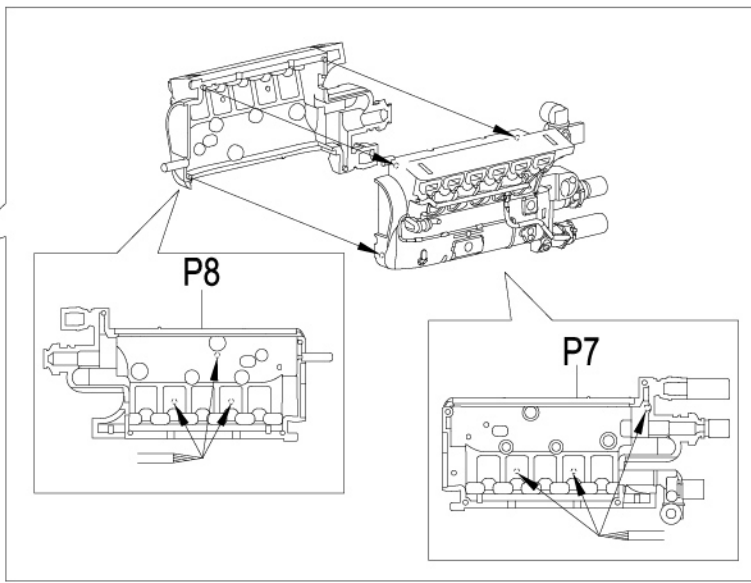
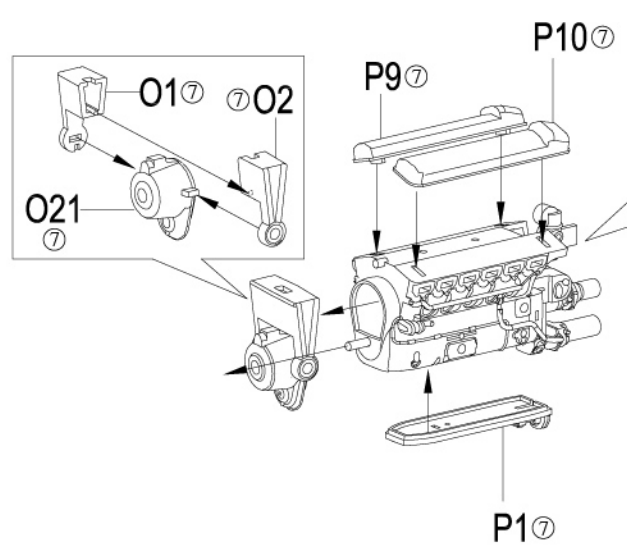
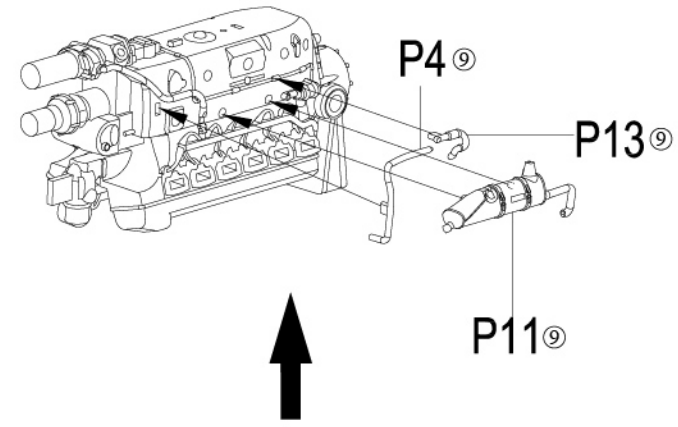
### 4 Bomb bay with extra fuel tank assembly



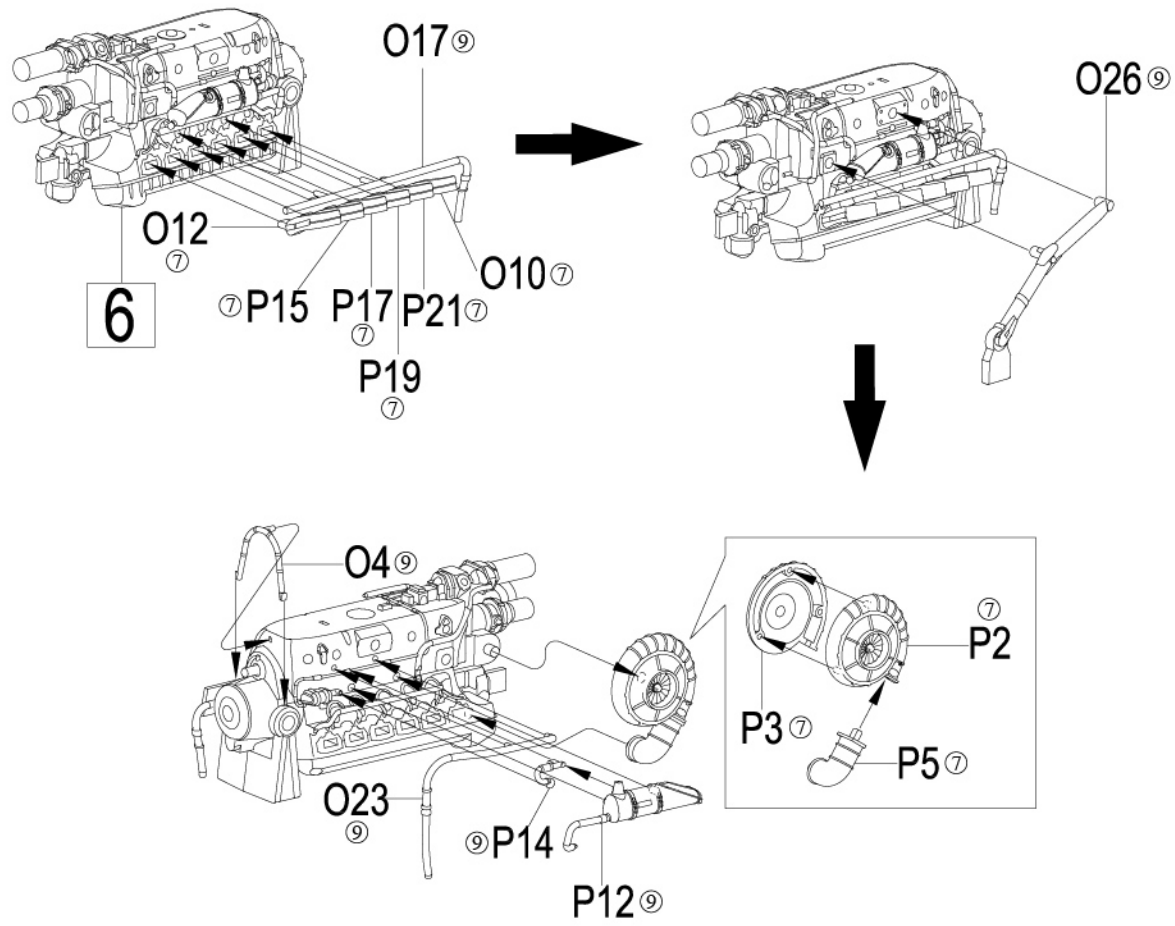
### 5 Cockpit, main fuel tank units assembly



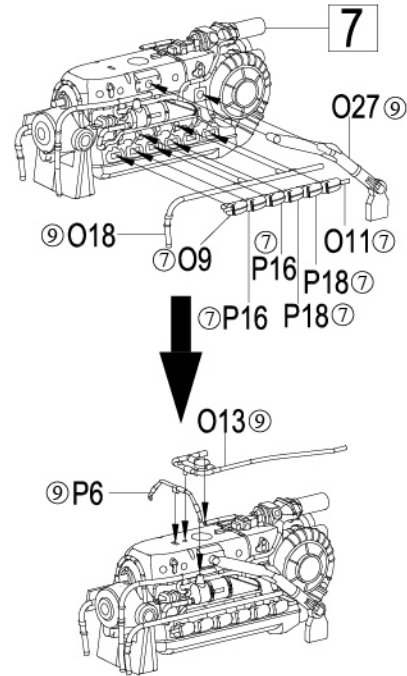
### 6 Rear engine assembly



7

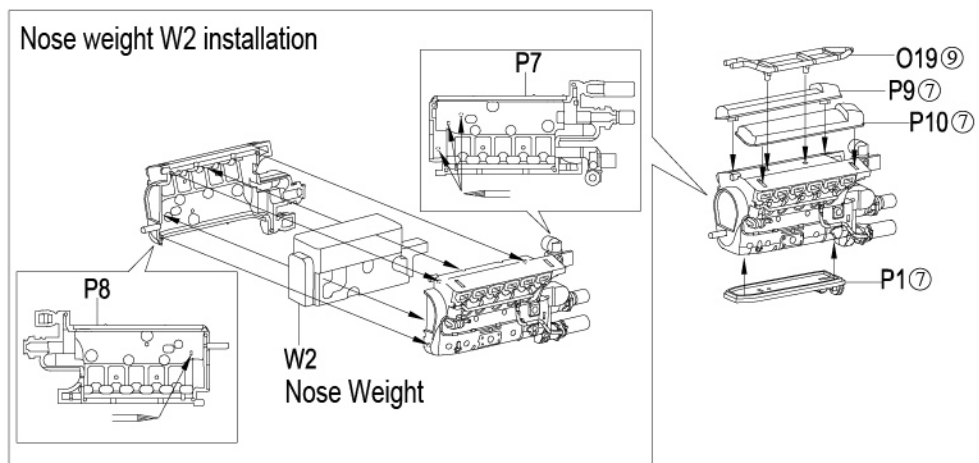


8

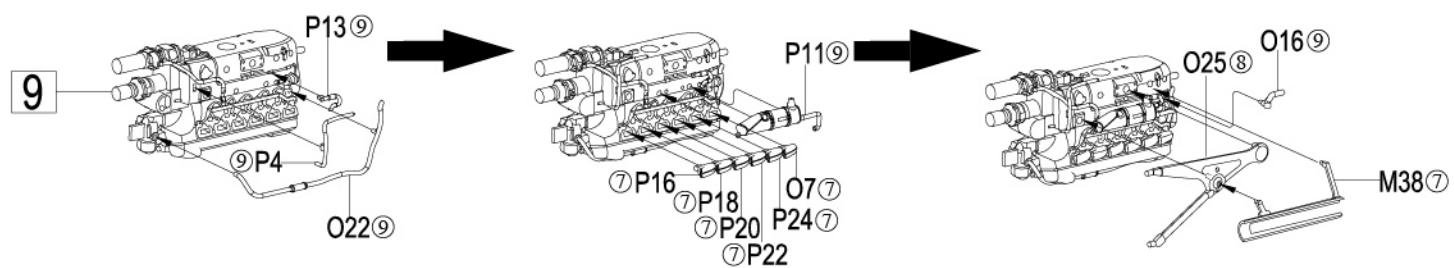


9

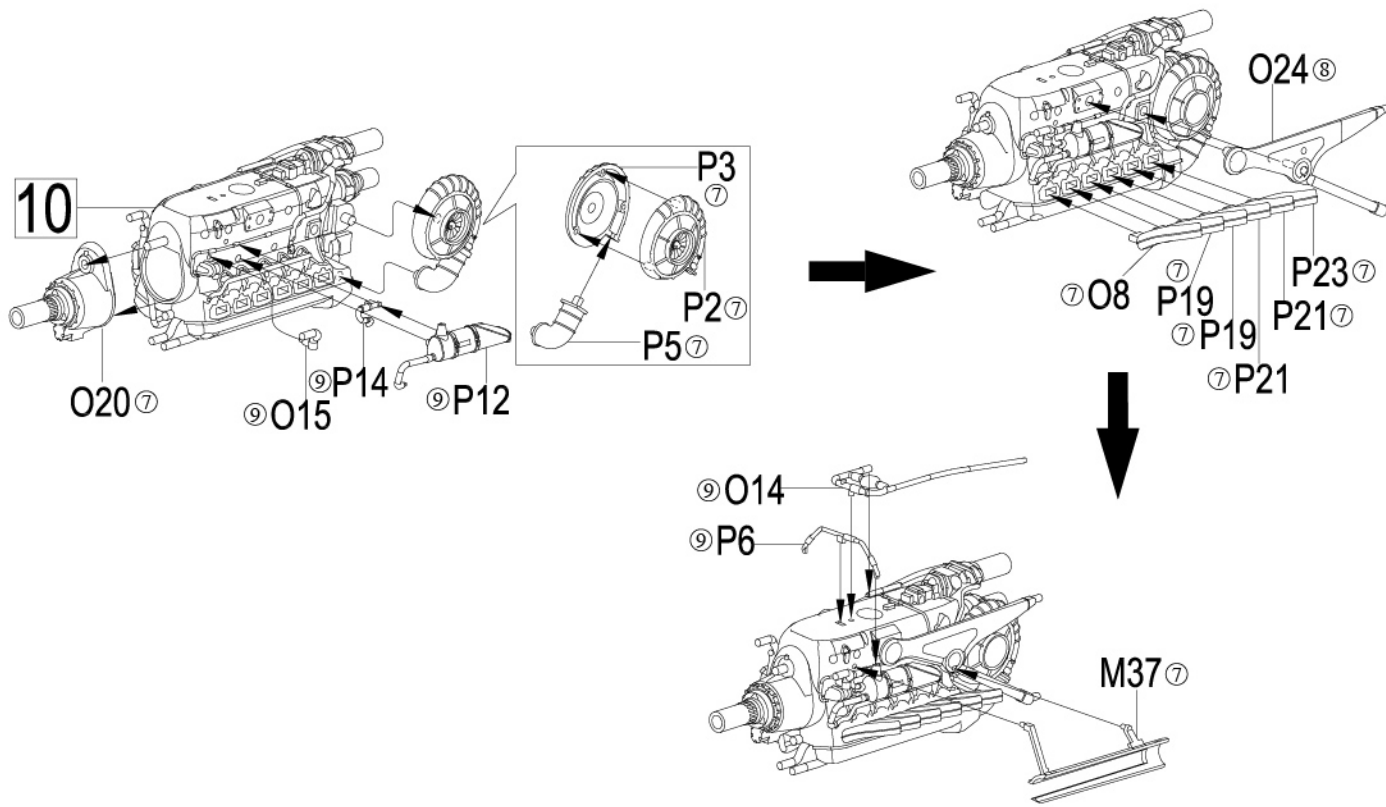
Front engine assembly



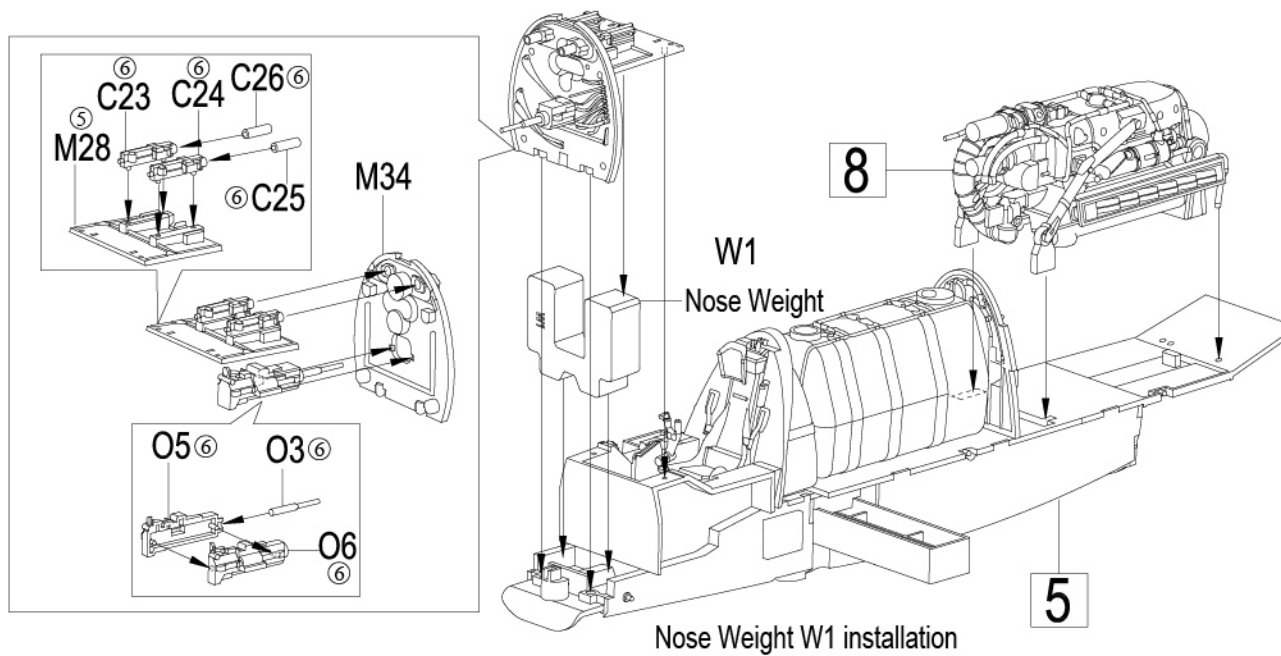
10



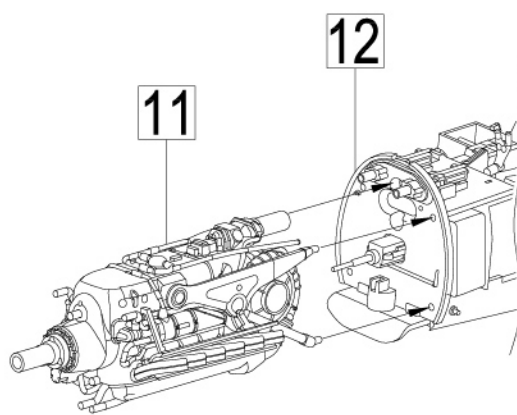
### 11 Front engine assembly



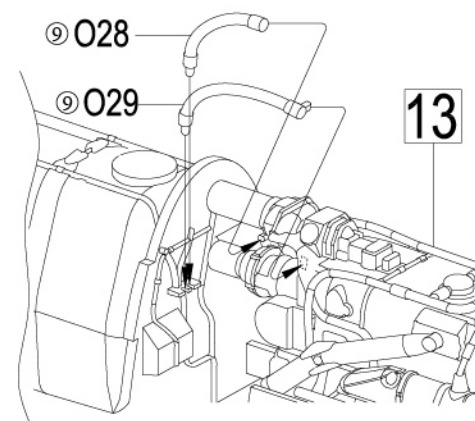
### 12 Gun compartment and rear engine unit assembly with main frame



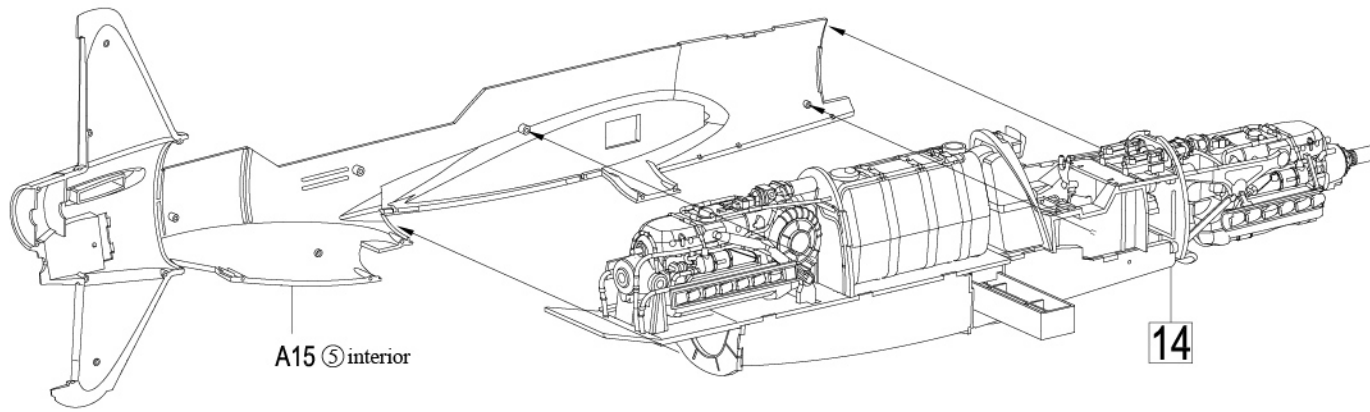
### 13 Attaching front engine to forward bulkhead



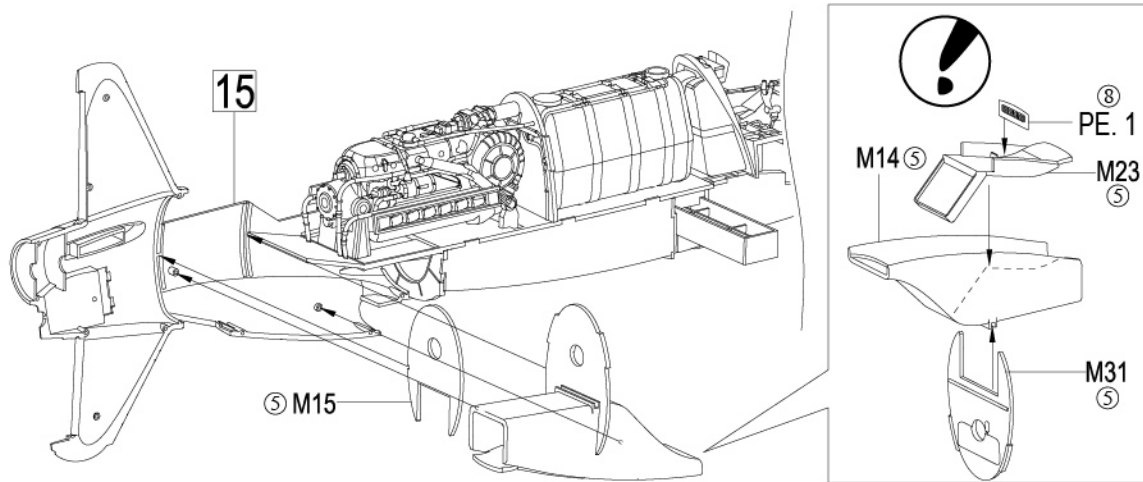
### 14 Piping of rear engine



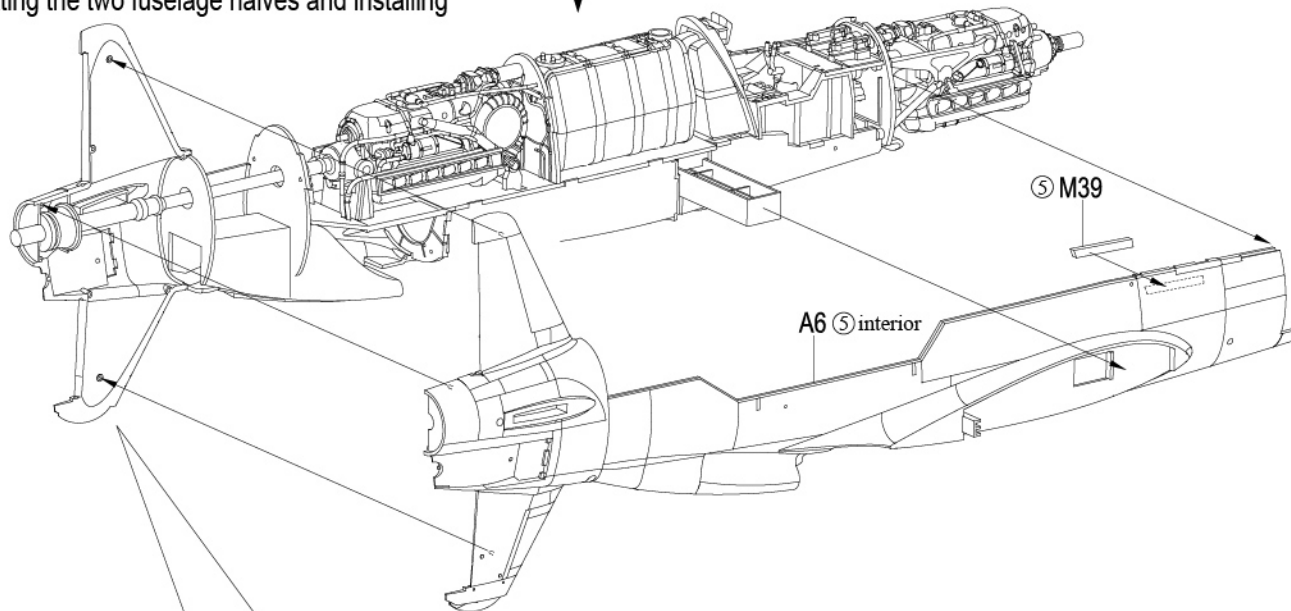
### 15 Left fuselage half and main component assembly



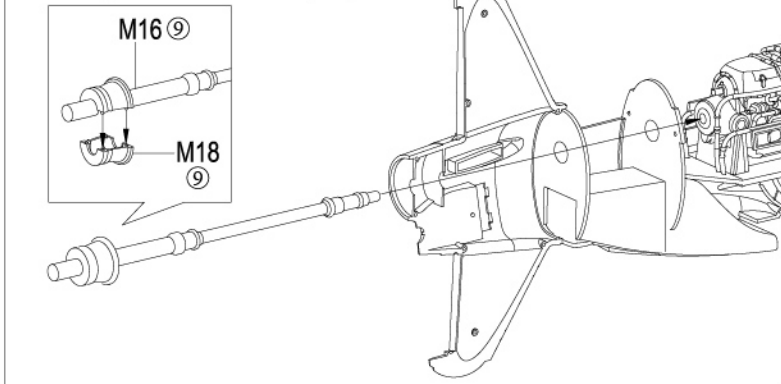
### 16 Rear Radiator intake assembly



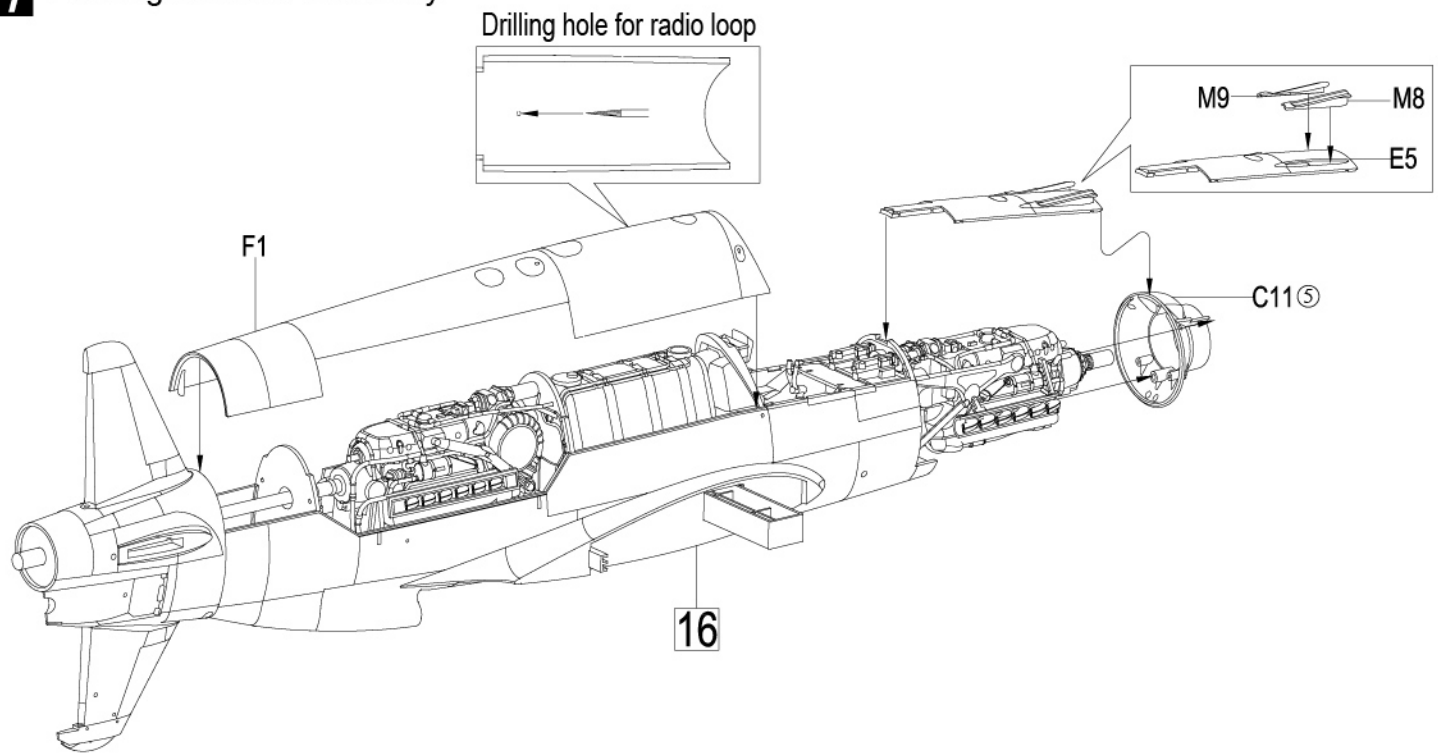
Mating the two fuselage halves and installing



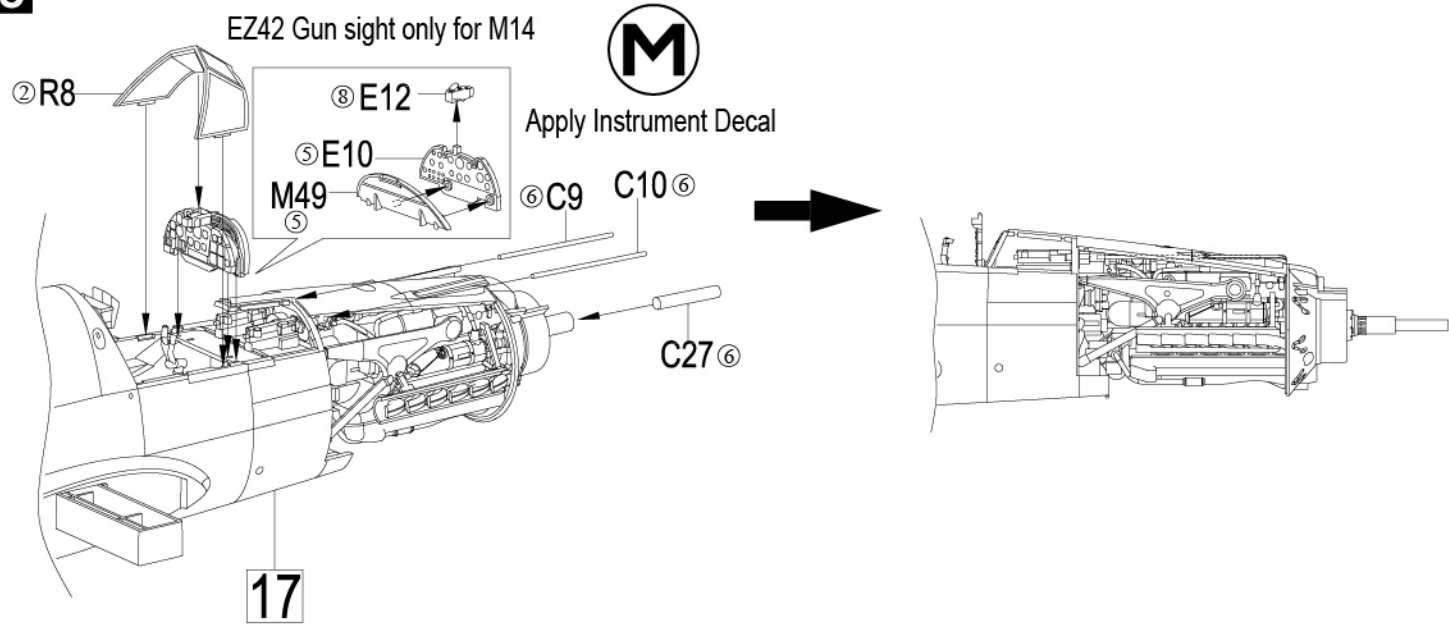
Assembly the shaft for rear propeller



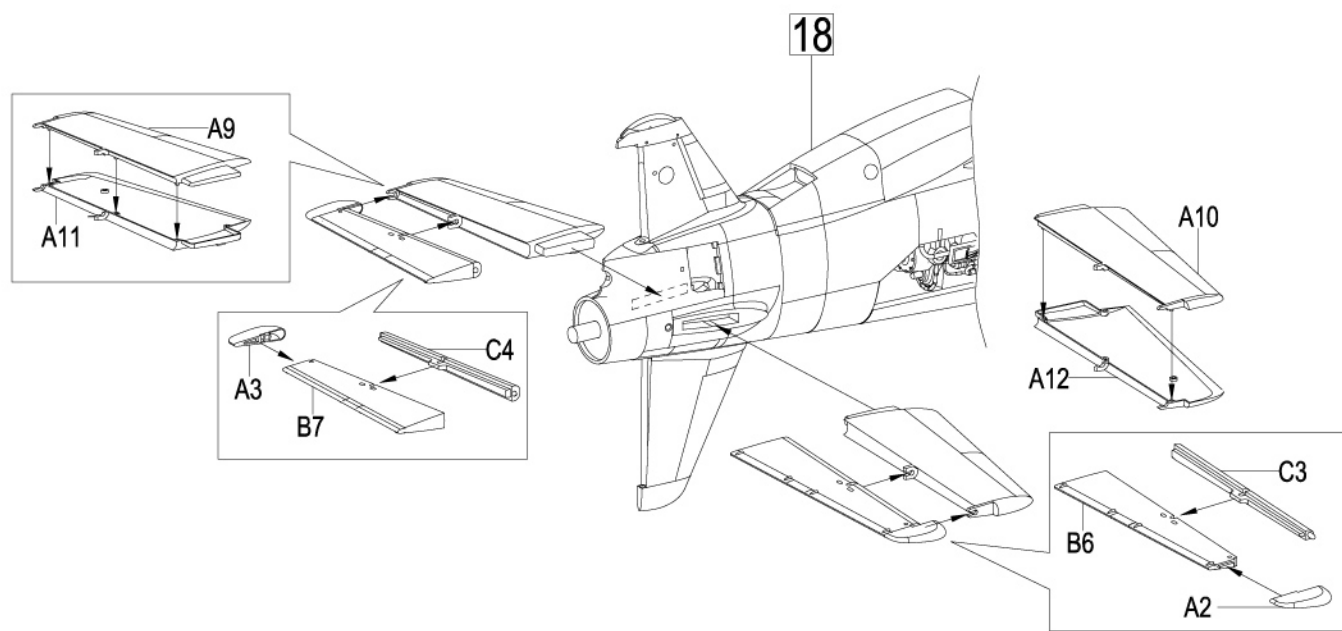
### 17 Fuselage exterior assembly



### 18

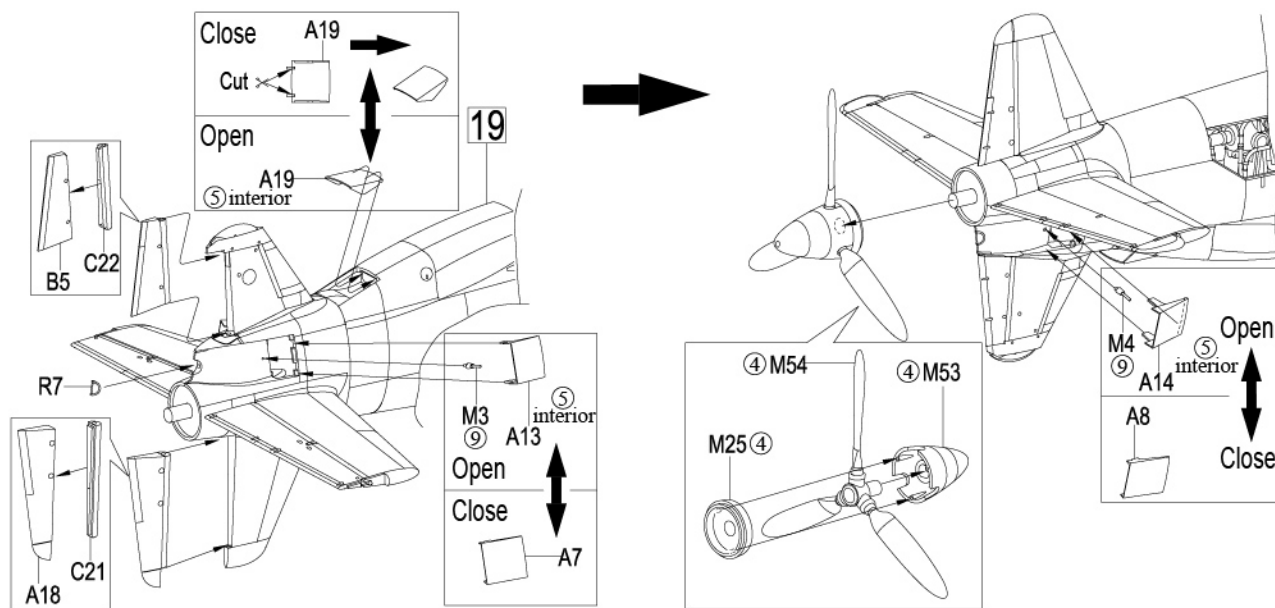


### 19 Tail section assembly

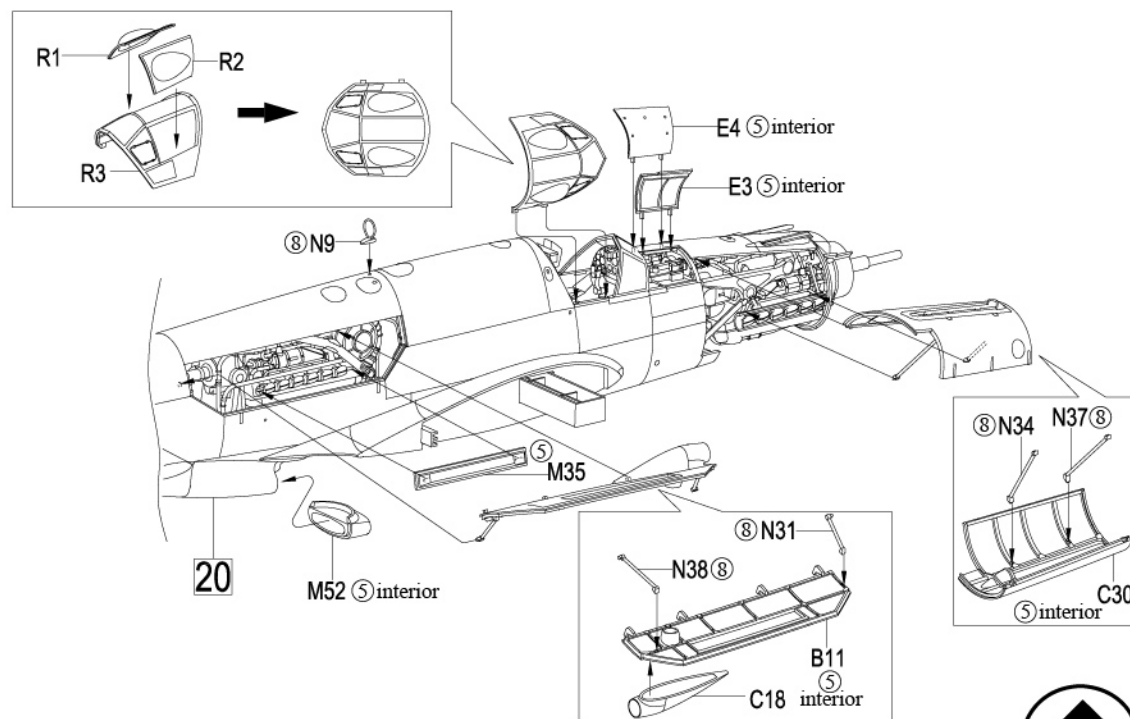




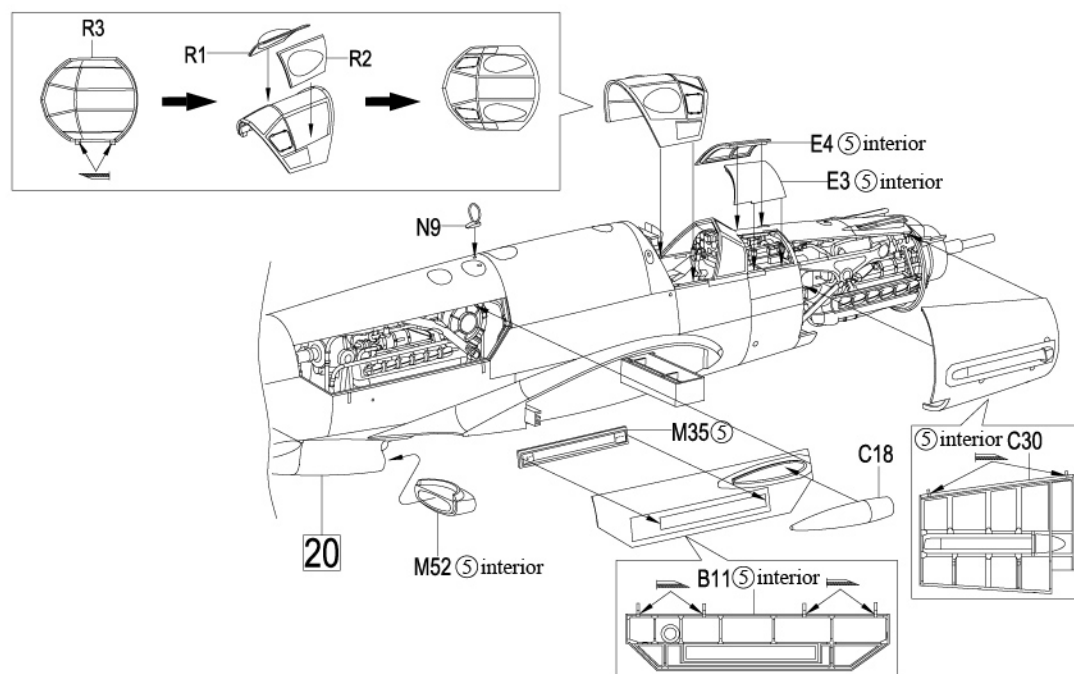
## 20 Tail section assembly



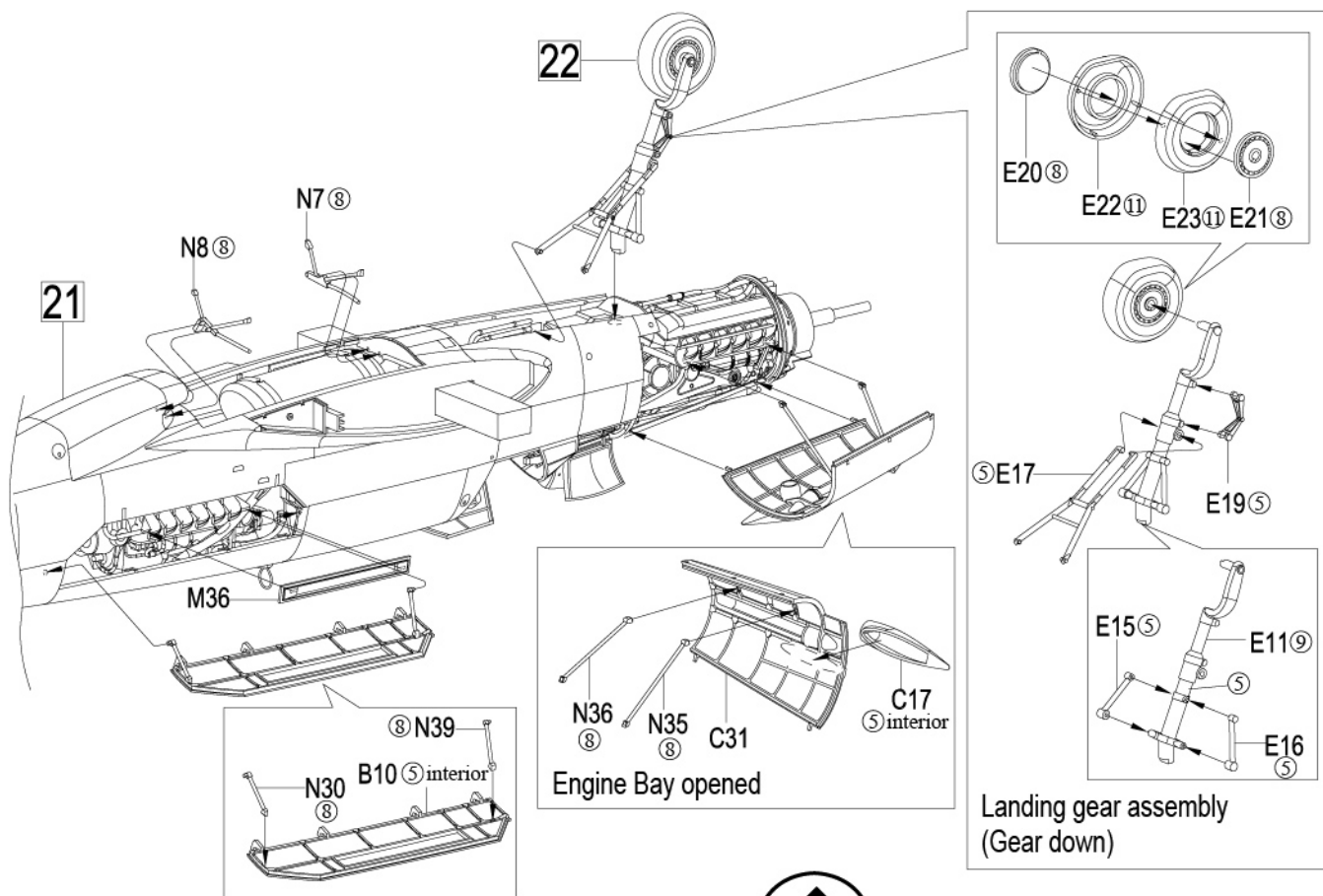
## 21A Engine cowls, gun bay access panel, and canopy assembly (open position)



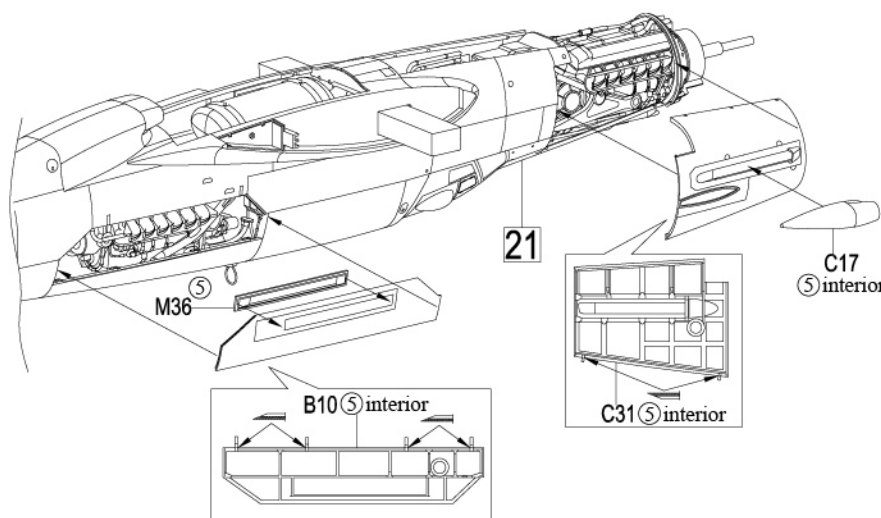
## 21B Engine cowls, gun bay access panel, and canopy assembly (open position)



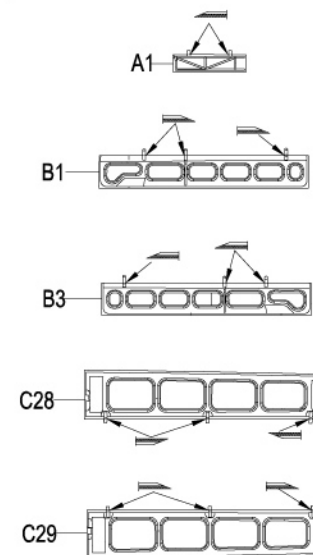
**22A** Landing gear down and all hatches in open position



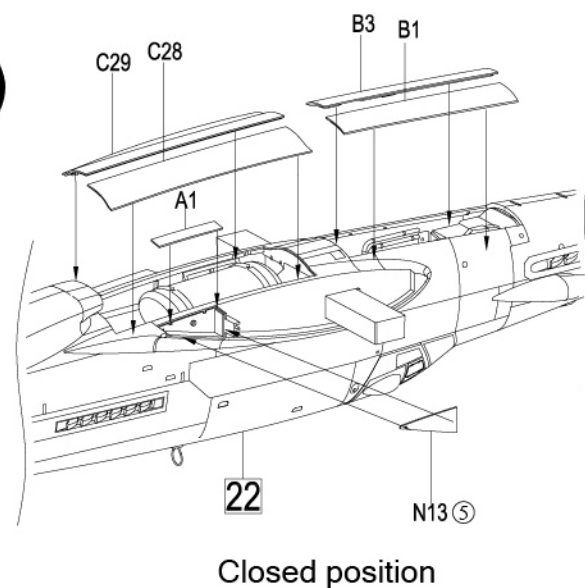
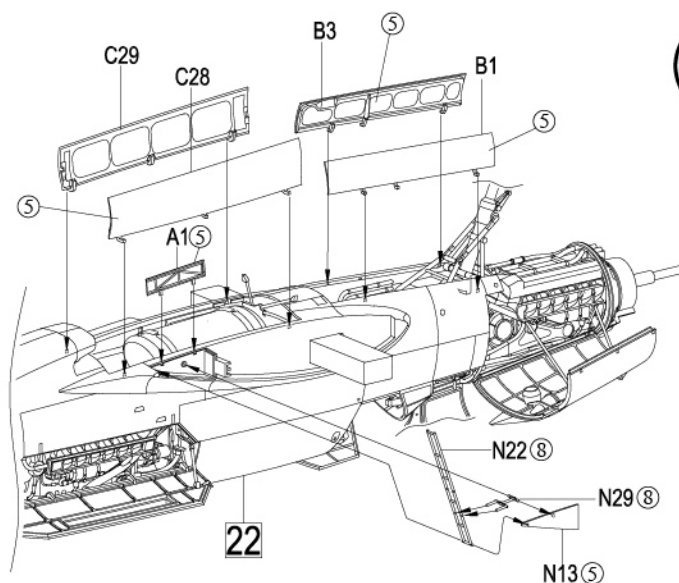
**22B** Engine panels in closed position



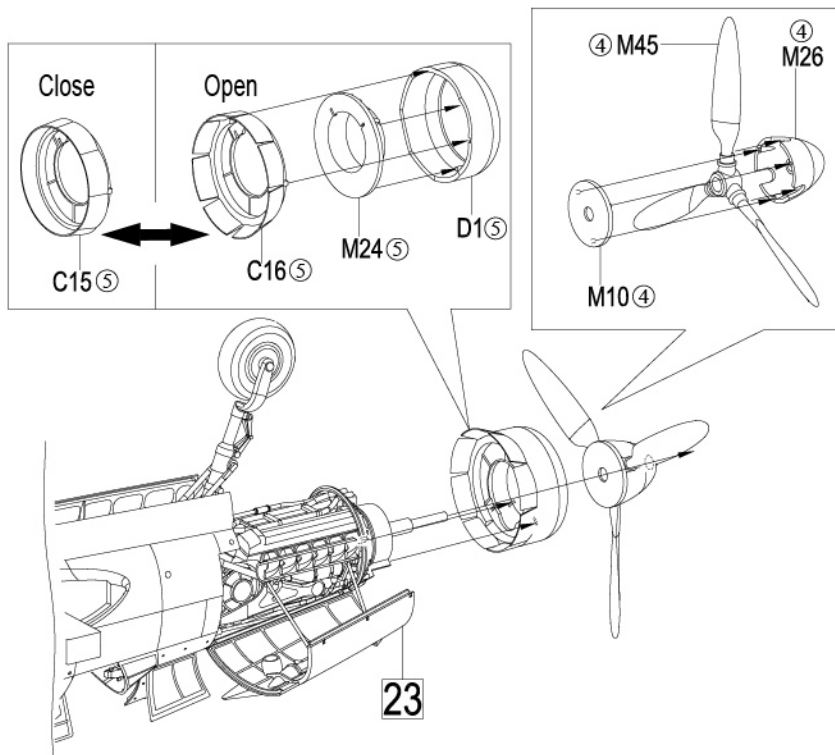
**23** Closed position ⑤ interior print



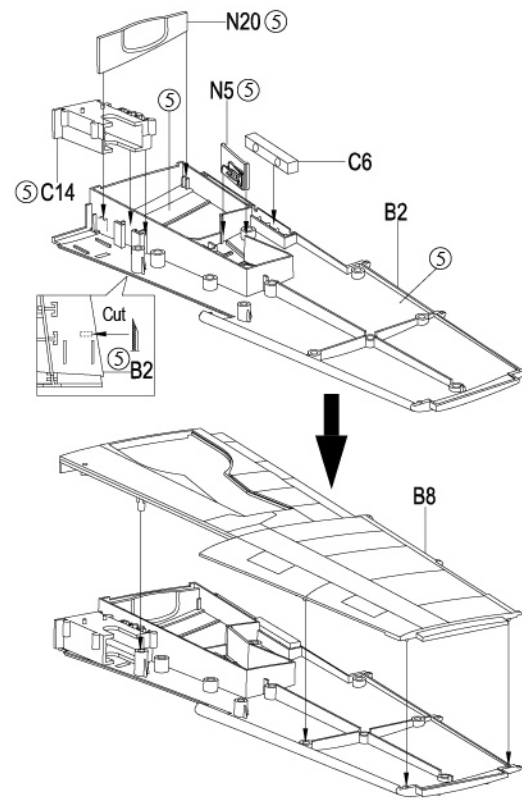
**23** Bomb bay door and landing gear bay open position



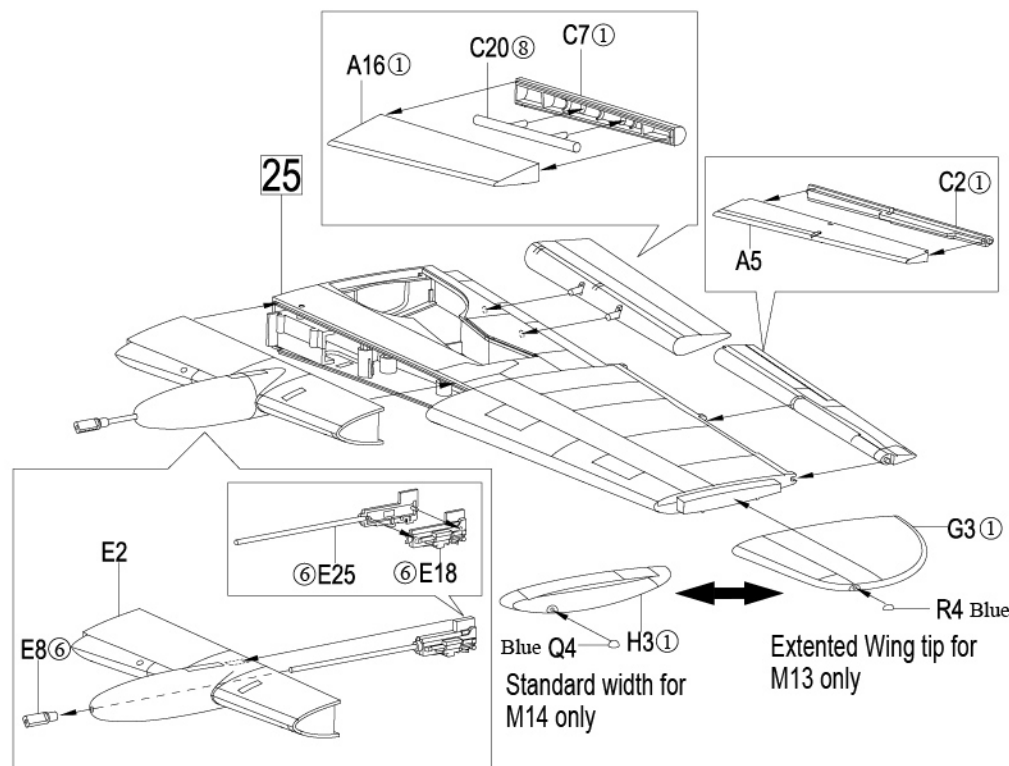
### 24 Engine cowling assembly



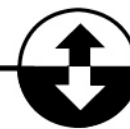
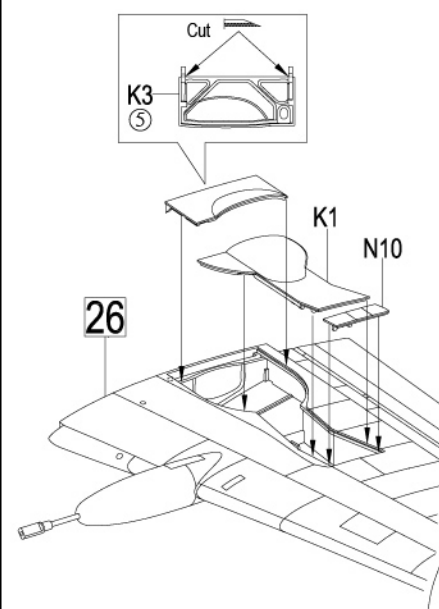
### 25 Right wing assembly



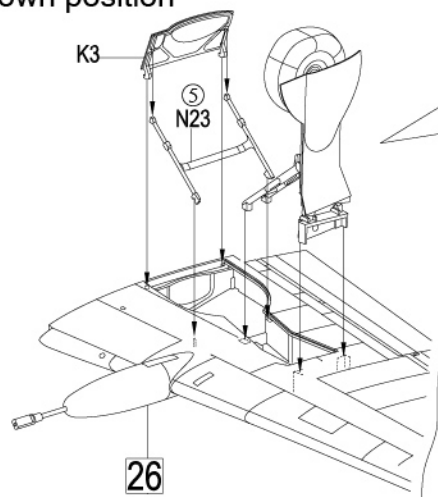
### 26 Assembly of right wing cannon and control surface



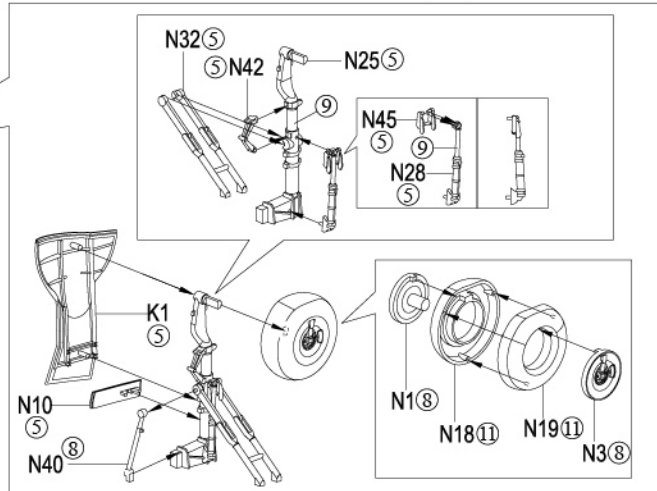
### 27 Landing gear up position



### 27 Landing gear down position

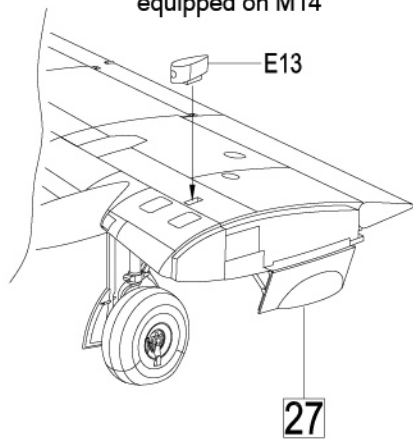


### Main Landing gear assembly gear down



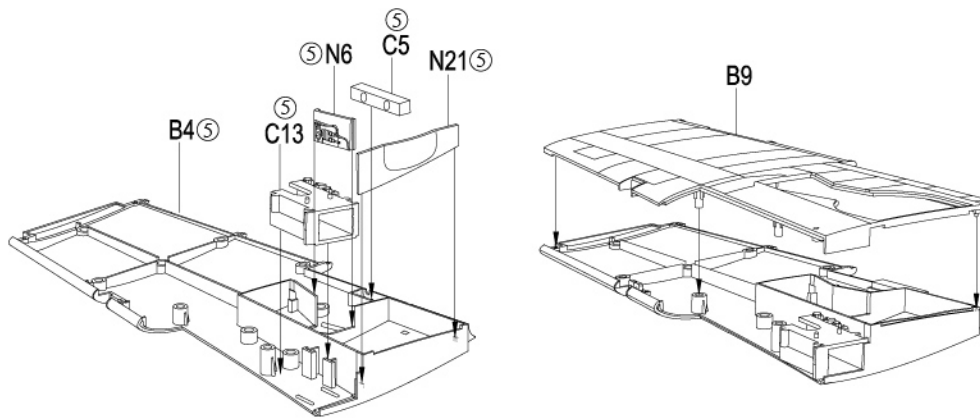
28

Gun camera only equipped on M14



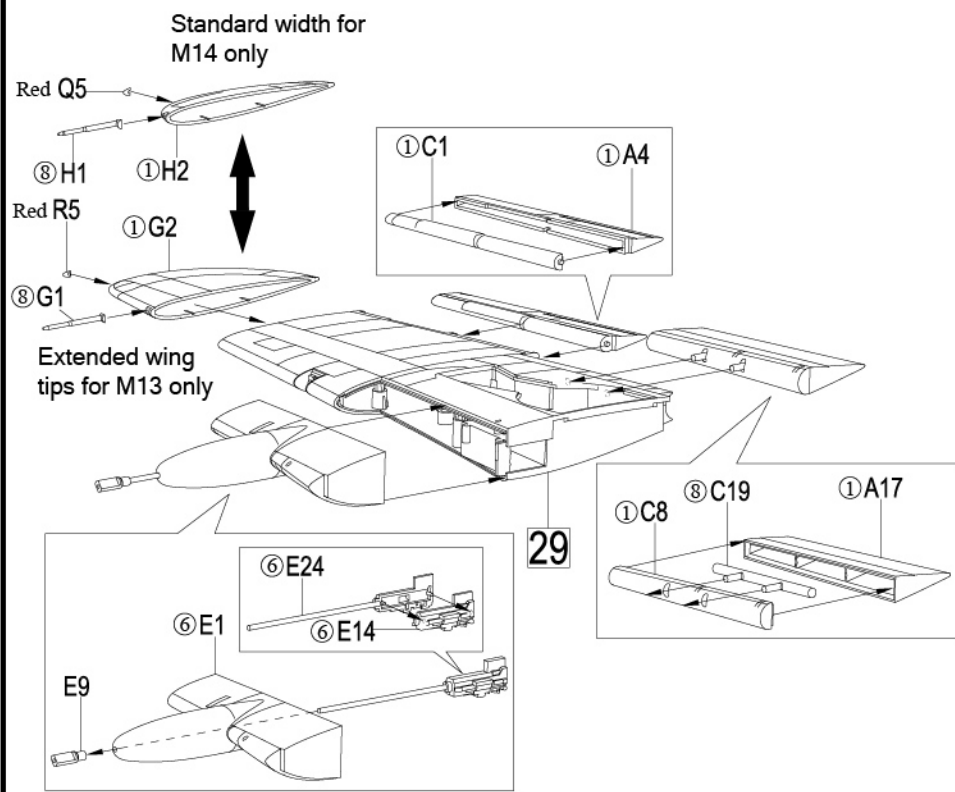
29

Left wing assembly



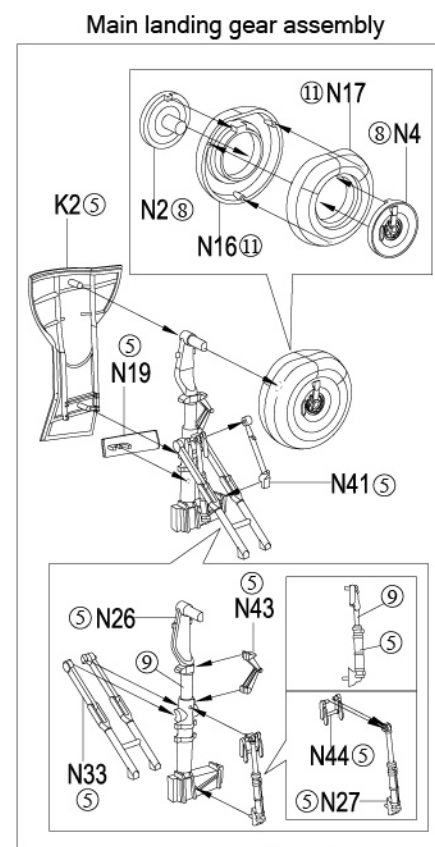
30

Assembly of Left wing cannon and control surface



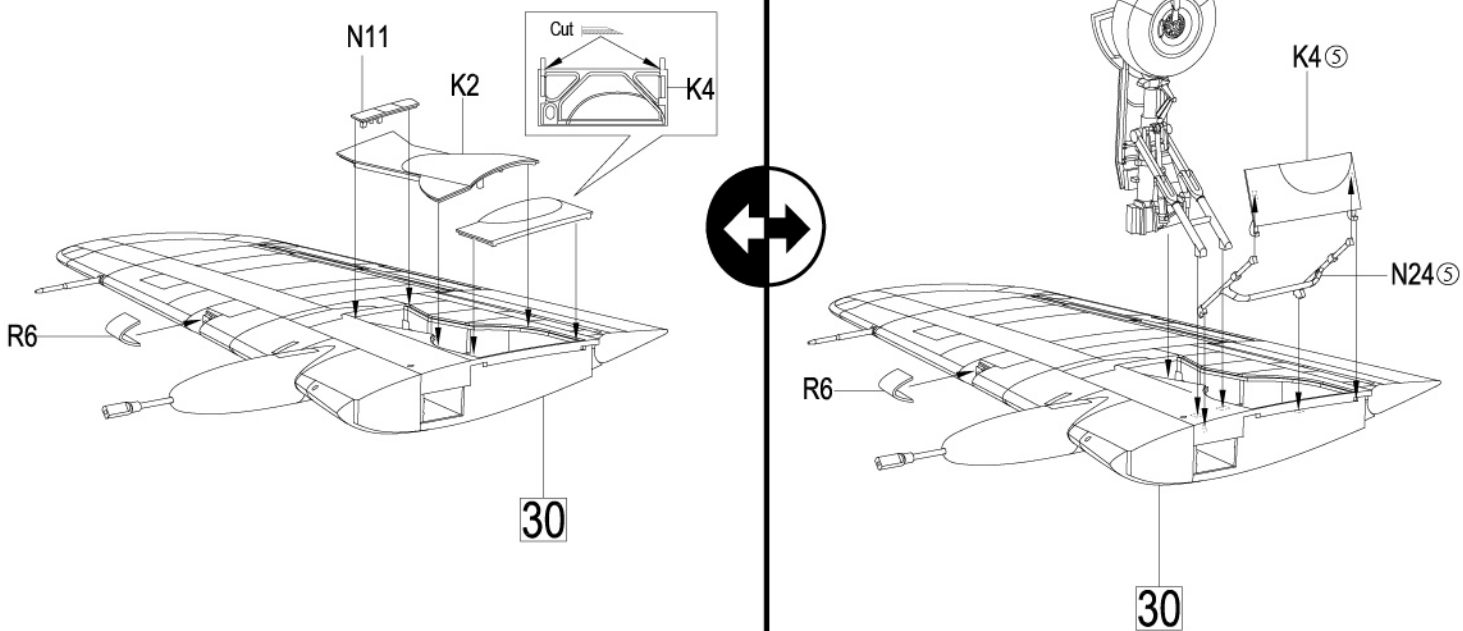
31

Landing gear down position

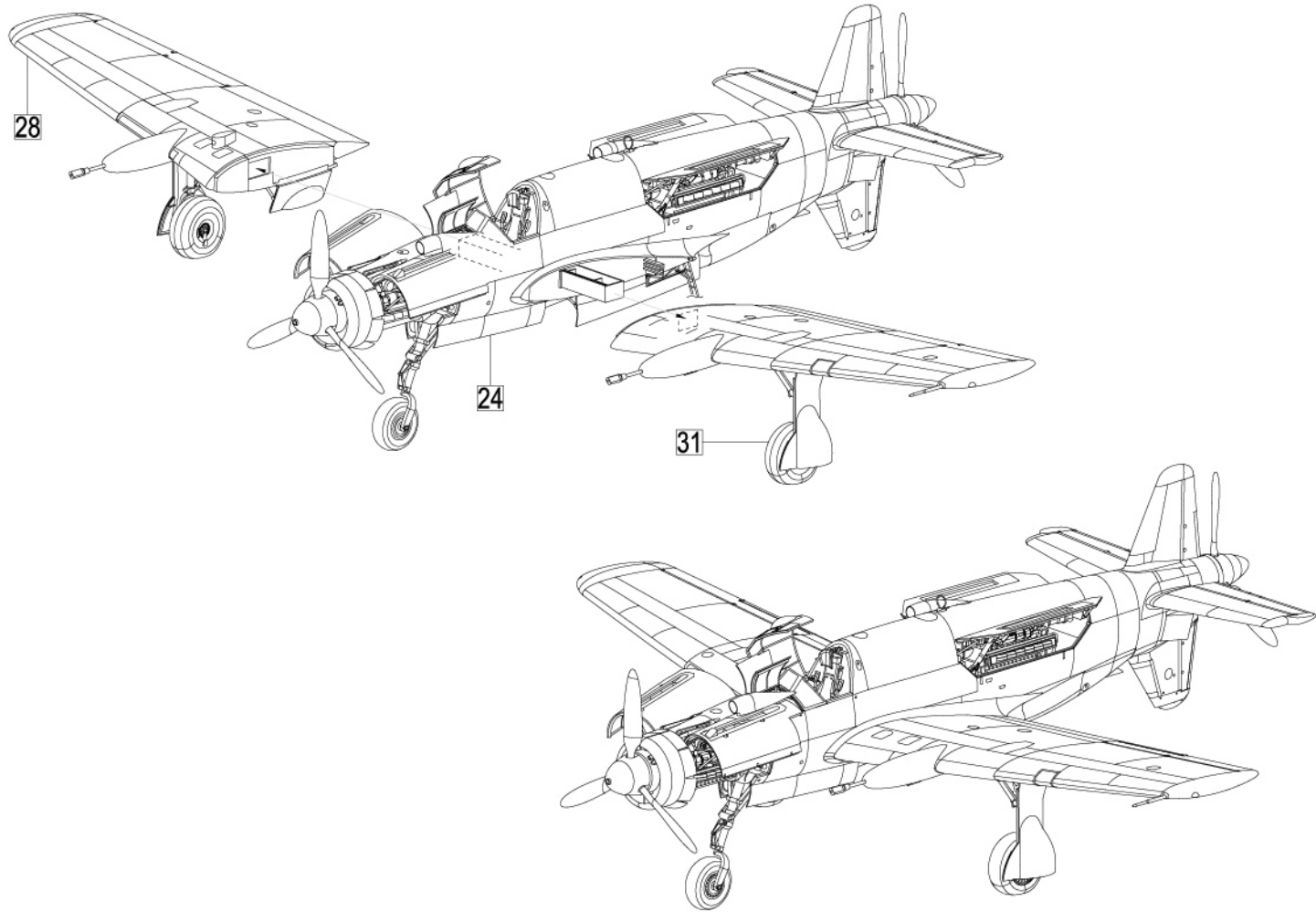


31

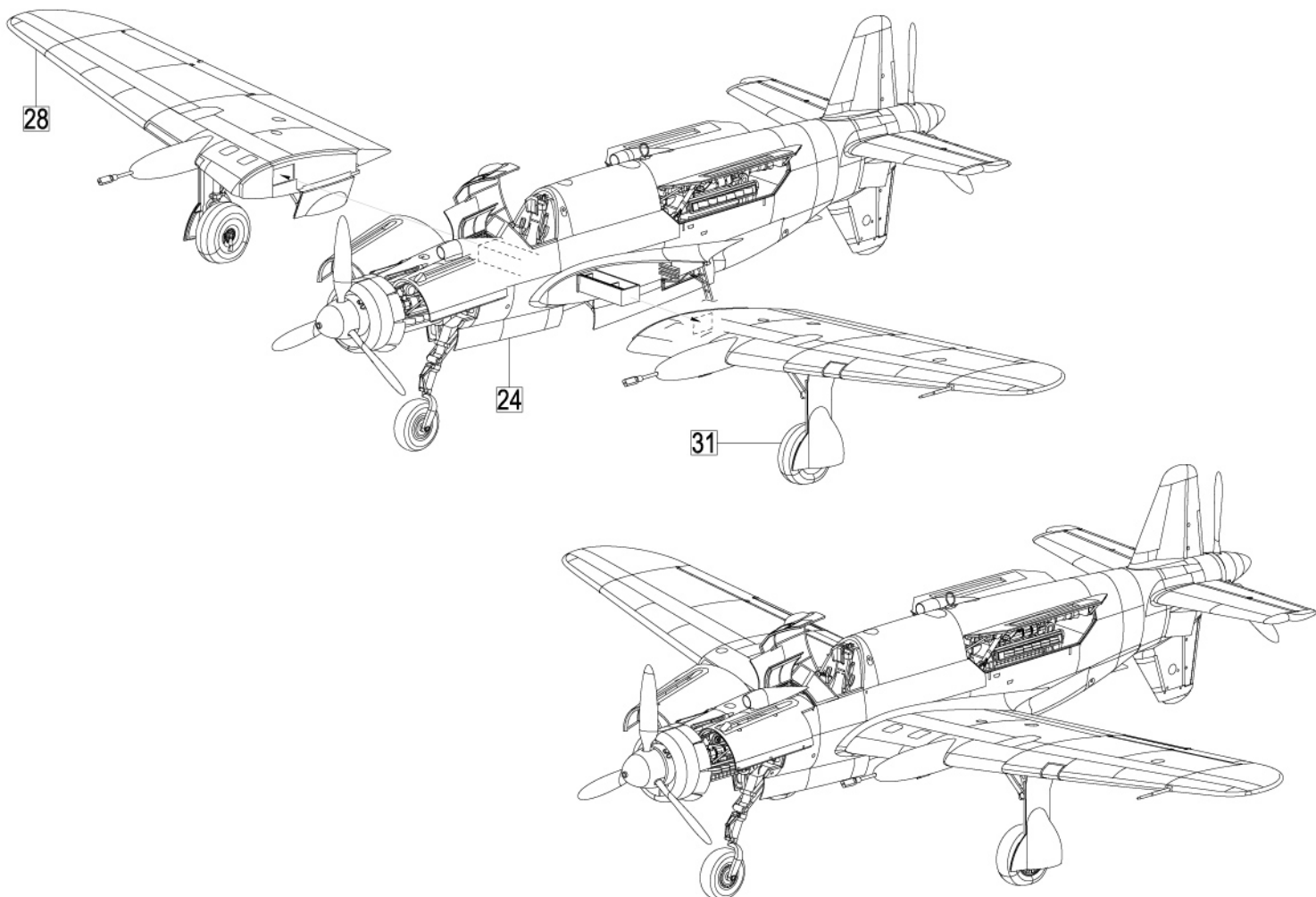
Landing gear up position



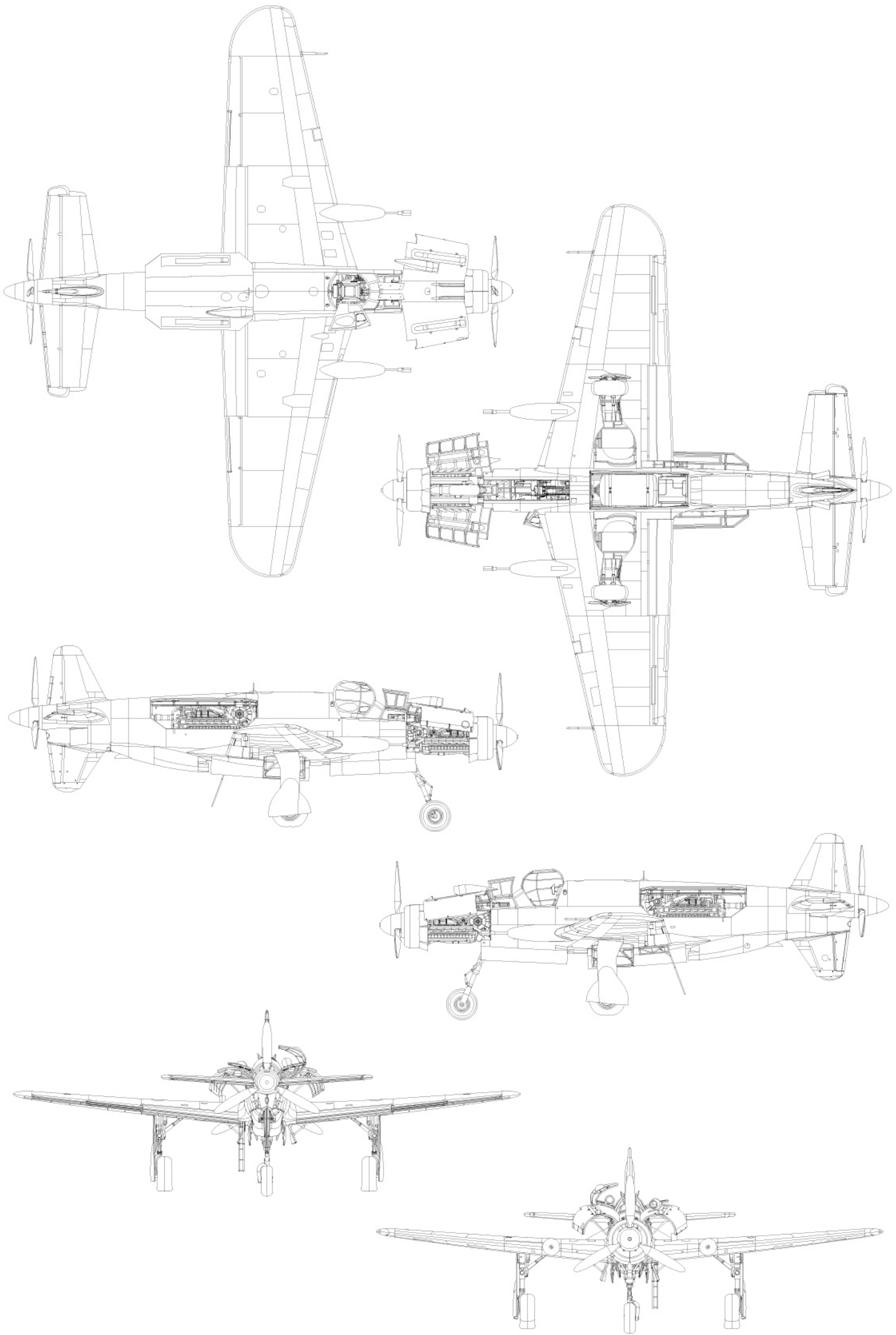
**32-1** Final assembly of M14, with gear down and hatches in open position



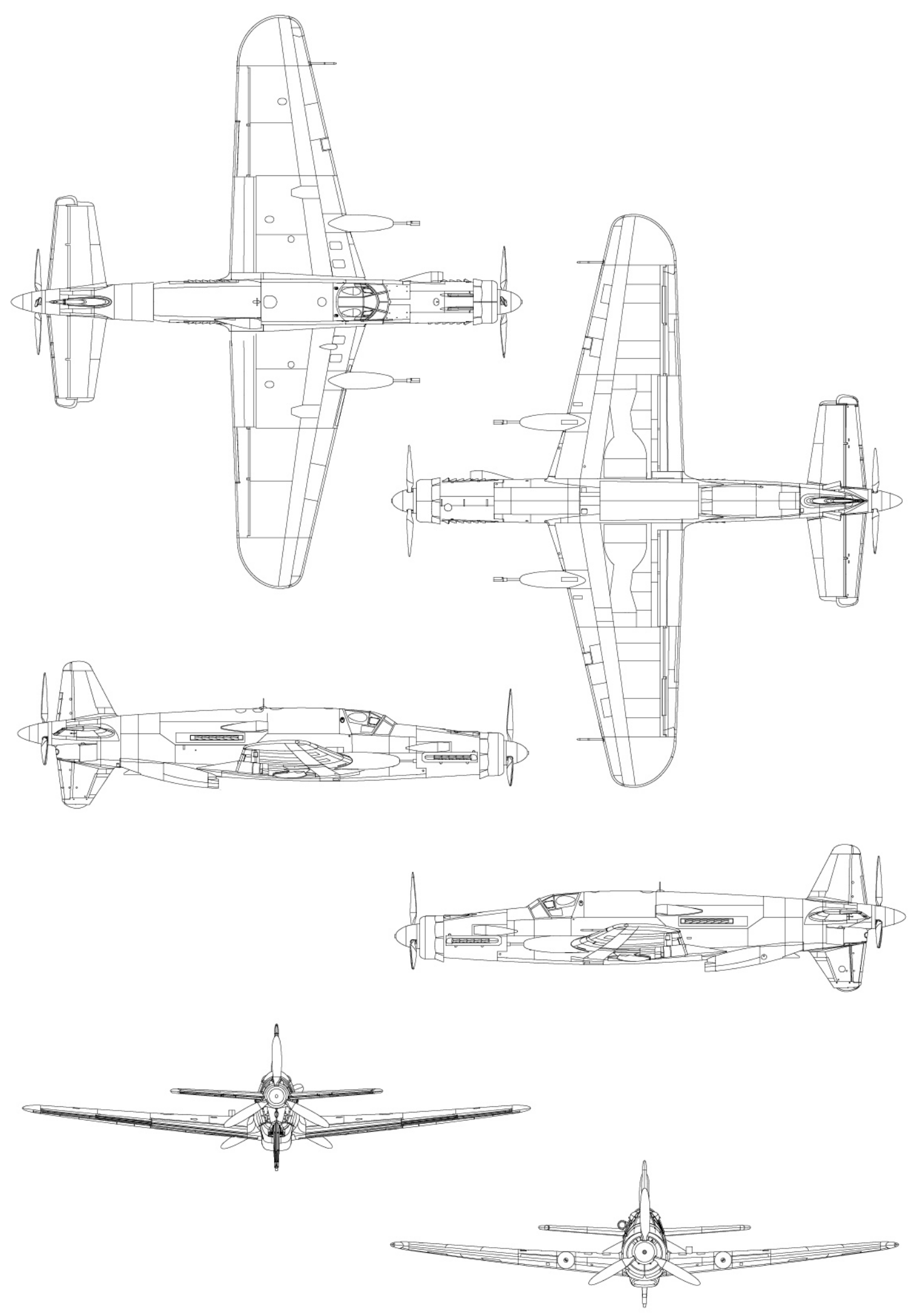
**32-2** Final assembly of M13, with landing gear down and hatches in open position



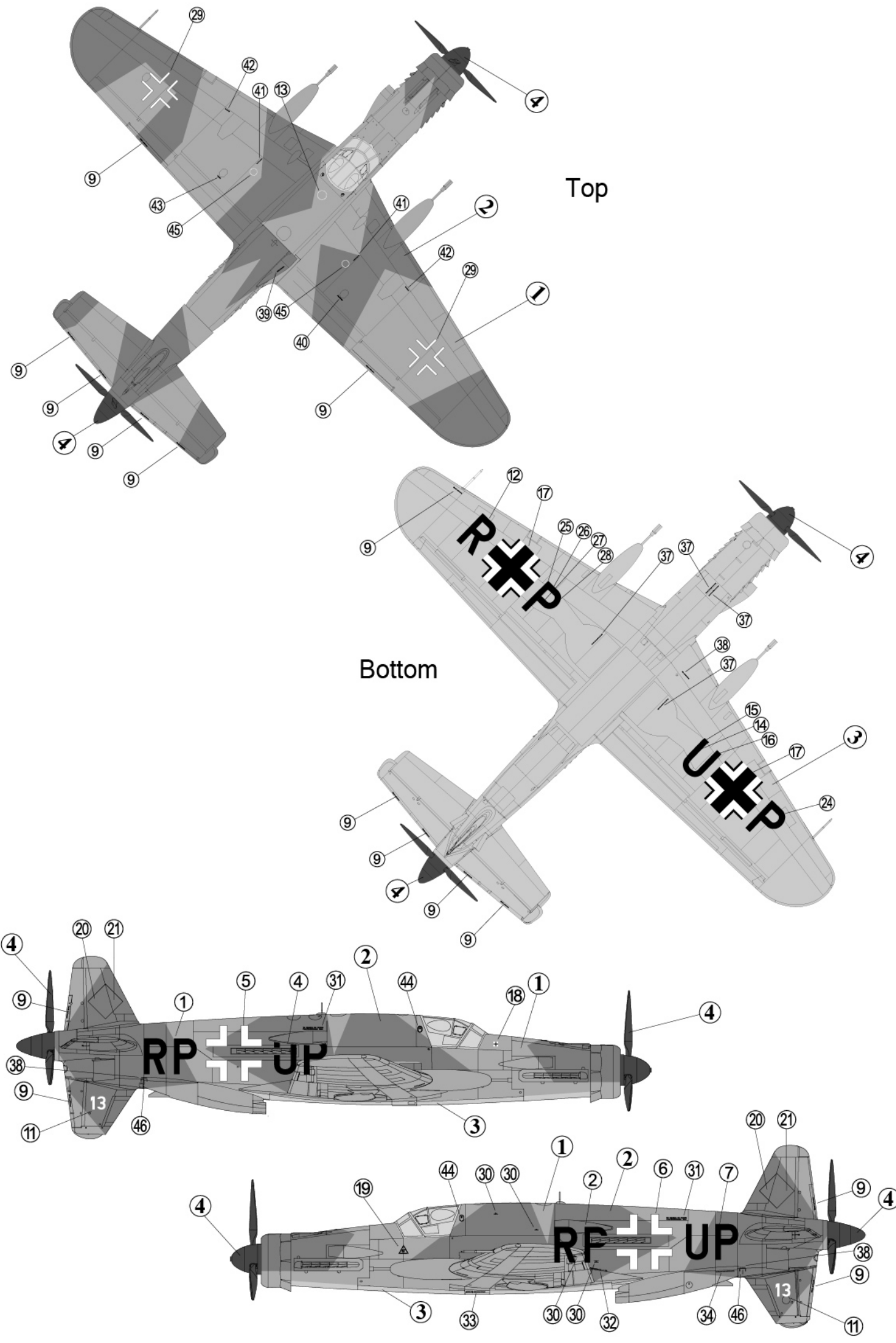
**33** All hatches open, and landing gear in down position



**34** All hatches closed, and landing gear in up position

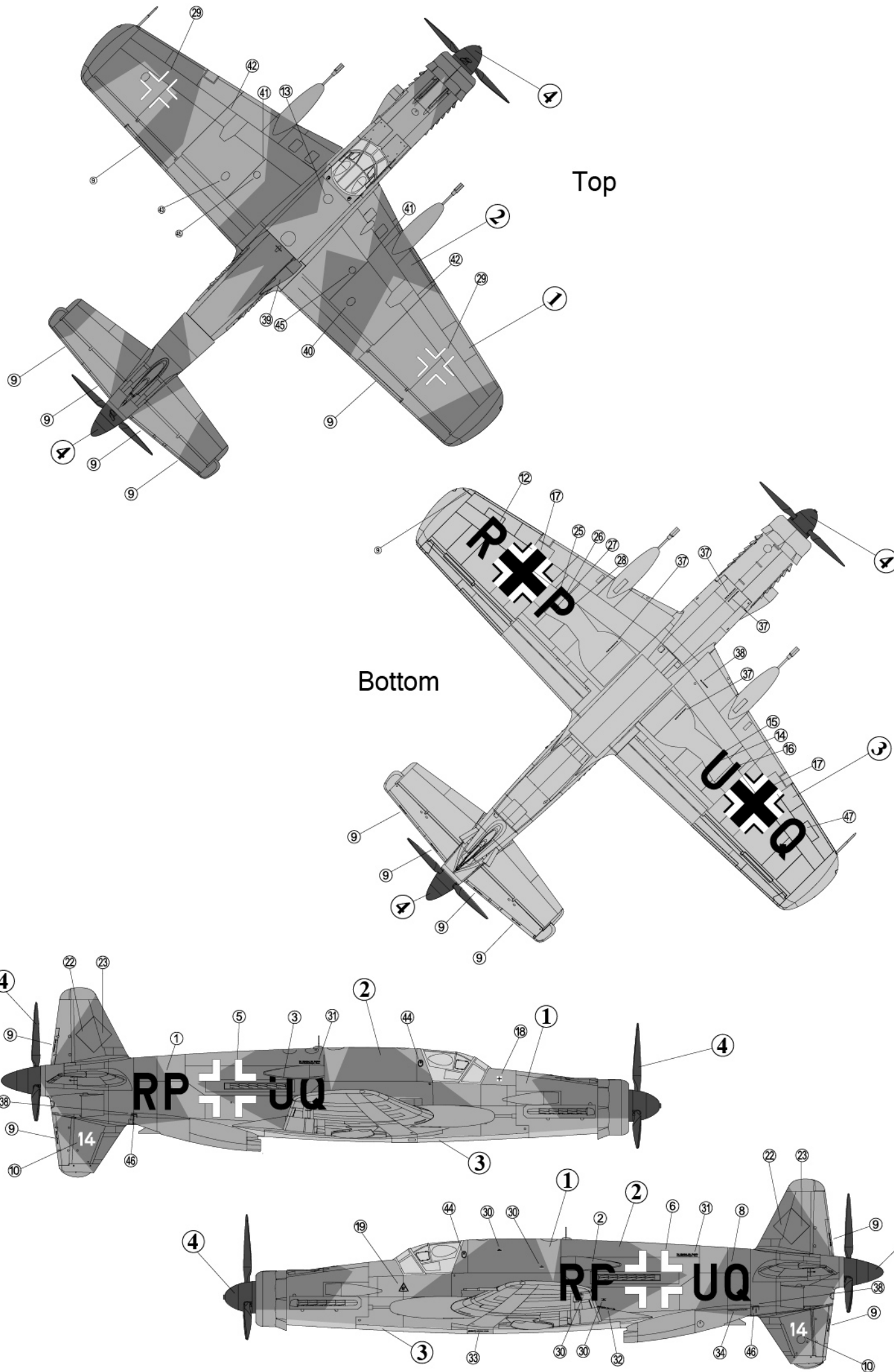


### 35 Camouflage Painting and decal placement for M13

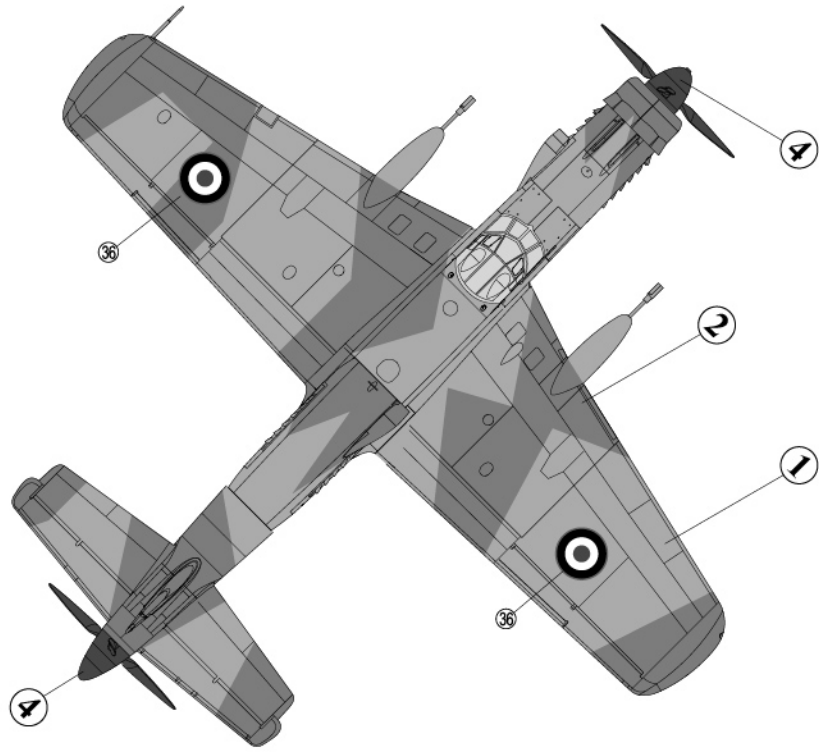




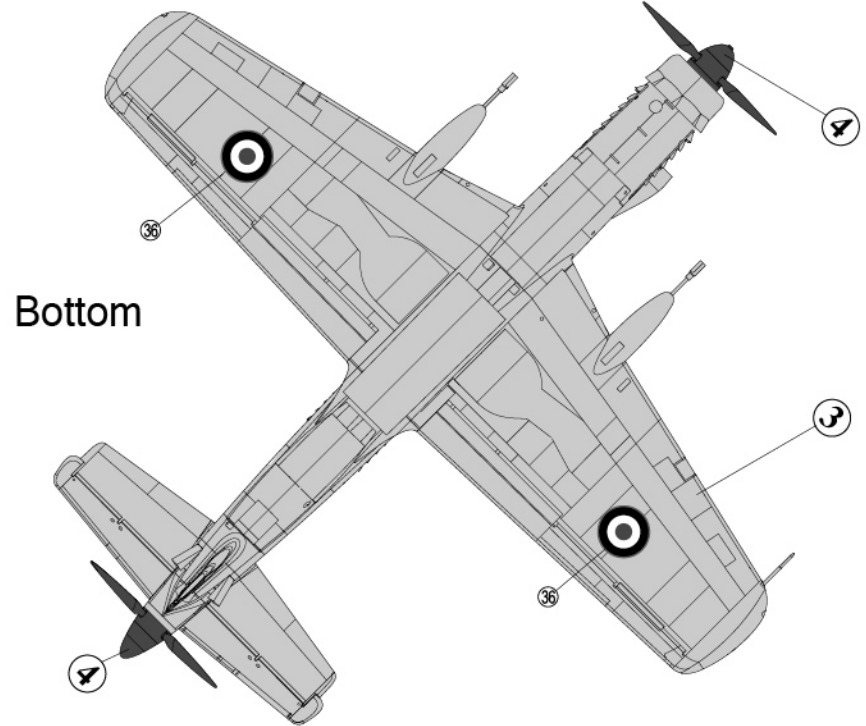
### 36 Camouflage Painting and decal placement for M14



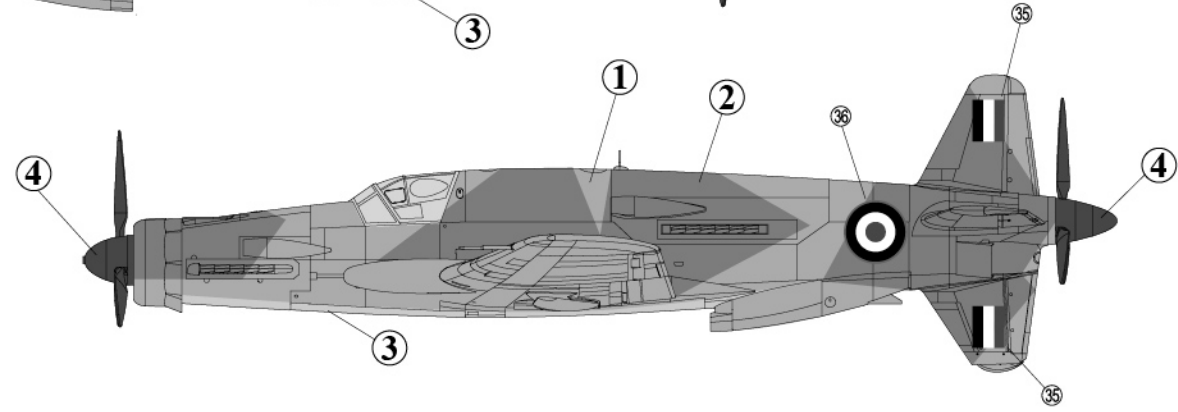
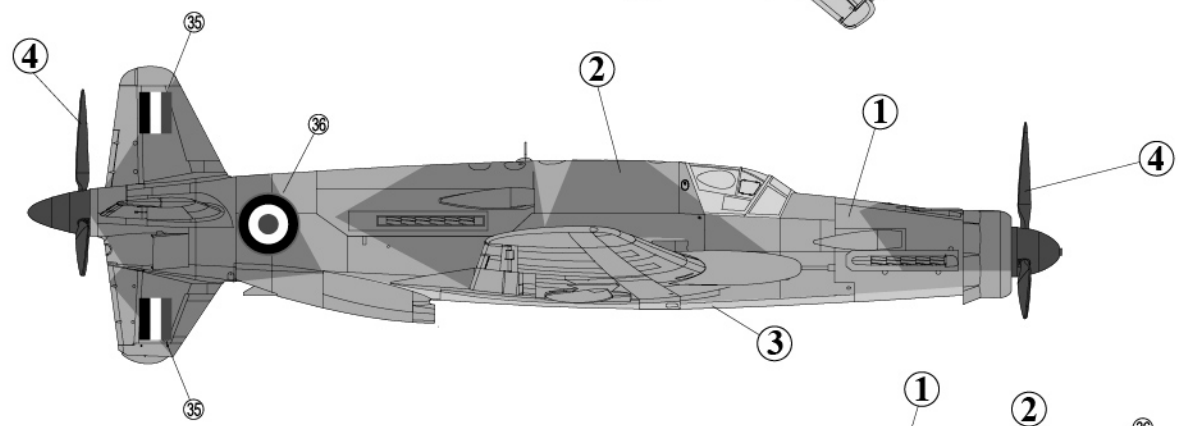
**37** Camouflage Painting and decal placement for France marking



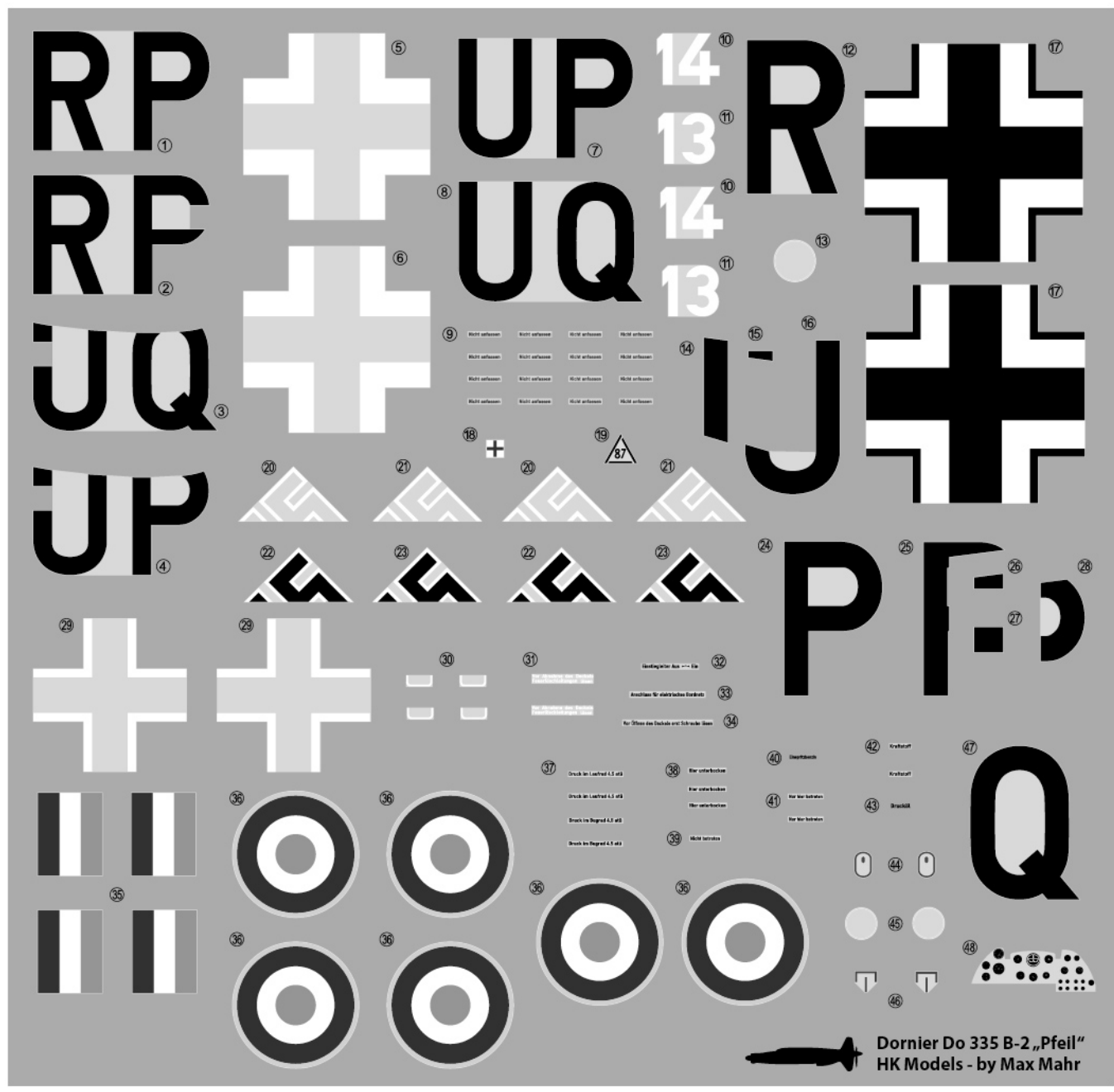
Top



Bottom

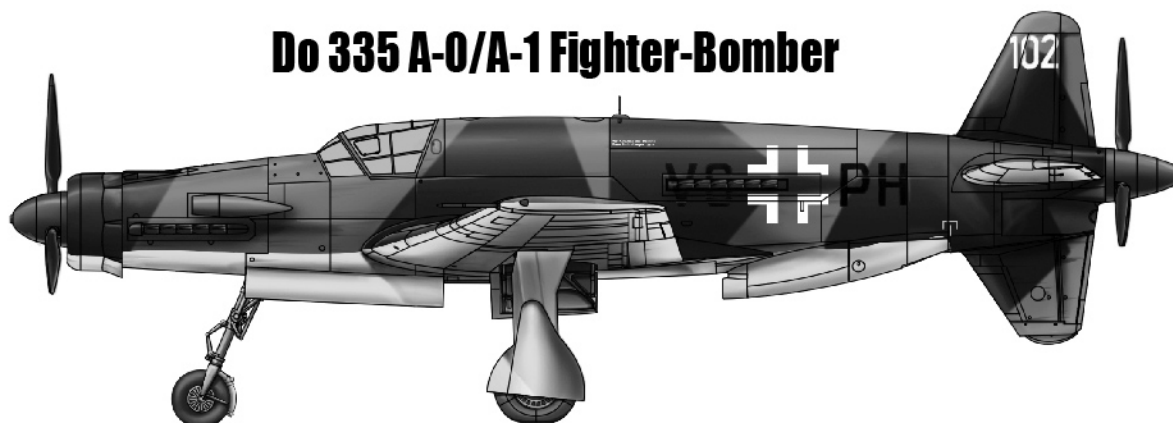


38 Decal for German M13. M14 and French M14



**39** Other versions available in Do-335 series

**Do 335 A-0/A-1 Fighter-Bomber**



**Do 335 B-2 Destroyer**



**Do 335 A-12 Two-Seat Trainer**



**Do 335 B-6 Night Fighter**



**Hong Kong Models Co., Ltd**

Address: Flat 12, 12/F., Block A, Tak Lee Industrial Center. Ching Yeung Street. Tuen Mun. N.T. Hong Kong.

Tel: 852-2464 9813 Fax: 852-2626 4864

Website: [www.hk-models.com](http://www.hk-models.com) E-mail: [info@hk-models.com](mailto:info@hk-models.com)