

## Stug E-100

### 德国E-100自行突击炮

#### READ BEFORE ASSEMBLY:

- Study and understand these instructions thoroughly before beginning assembly
- When needed, remove photo-etch parts carefully using a modeling knife or photo etch sprue cutter, being careful not to damage or lose small parts.
- Take extra care in handling photo etch parts in order to avoid injury
- Apply instant cement sparingly to photo etch parts where instructed
- Tools recommended(not included in kit):Plastic and instant cements, sprue cutters,long nose pliers,modeling knife, small files, tweezers, pin vise & scissors. Soft cloth and sandpaper will also assist in construction
- Glue and paint are not included in the kit. Use plastic cement and hobby paints only. Color guide for purchasing paint is included in the kit.

#### 装配之前仔细阅读

- 小心用模型锉刀锉平所有零件表面的注射浇口。
- 小心用刀片切下蚀刻片零件，不要遗失小零件。
- 用强力快干胶水粘合蚀刻片零件和金属轴。过量快干胶水使用可能导致可动零件会粘住，小心涂胶。
- 取蚀刻片时应特别注意安全，防止利边划伤手指。
- 某些零件表面需贴水上贴纸，请选择在装配的同时进行。
- 推荐模型工具(自备)：胶水，水口剪刀，长咀钳，刀片，锉刀，镊子，钳，钻，剪刀，瞬间快干胶。
- 软布同砂纸同时也应该是必备工具。
- 请使用塑料胶水和油漆，模型内不含。



配重  
Weight



使用强力胶  
Cyanoacrylate glue



钻孔  
Make hole



切除  
Cut / Remove



贴纸  
Decal



锉平  
File / Sand



选择  
Option



不涂胶水  
No cement



弯曲  
Bend



先装  
Install it first

#### 水贴纸的使用:

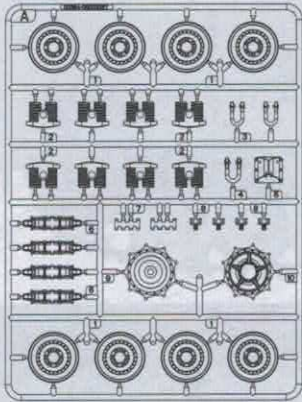
- 1.从水贴纸上剪下印花;
- 2.将印花放入温水中浸10秒, 然后放在干净布上。
- 3.拿着印花纸板将印花移到模型上;
- 4.手指蘸水将印花移到适当的位置;
- 5.用软布轻压印花直至水干, 气泡消失

#### DECAL APPLICATION

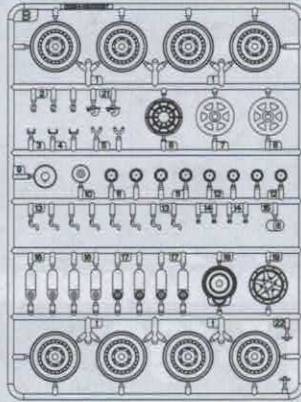
- 1.Cut decals from sheet as needed
- 2.Dip the decal in warm water for about 10 seconds and then place on soft clean cloth.
- 3.Hold the decal backing sheet edge and gently slide the decal onto the model in its proper position.
- 4.While still wet,decal can be adjusted for better fit on model by dampening it gently with your finger.
- 5.When placed in the proper position,gently press decal down with a soft cloth until excess water and air bubbles are gone.
- 6.Allow decal to dry completely before handling model

部品图  
Parts

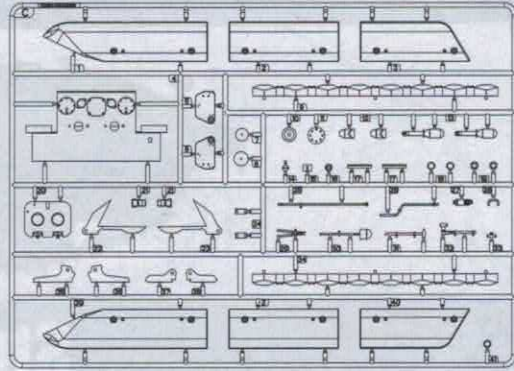
A×2



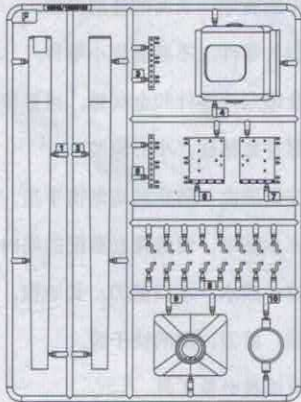
B×2



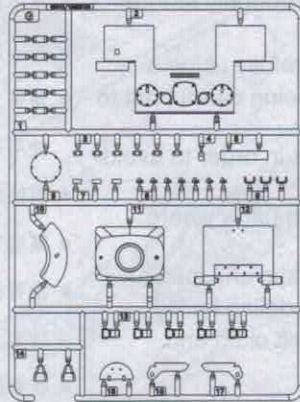
C



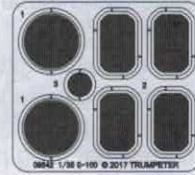
F



G



PE

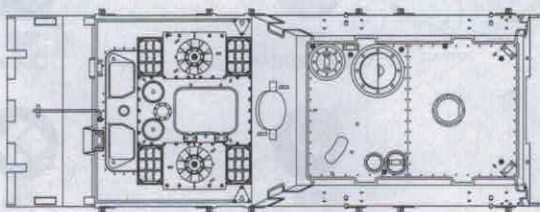


<<水贴>>  
Decal



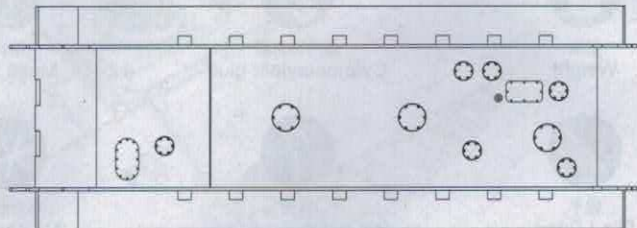
<<车面>>

upper hull



<<车底>>

lower hull

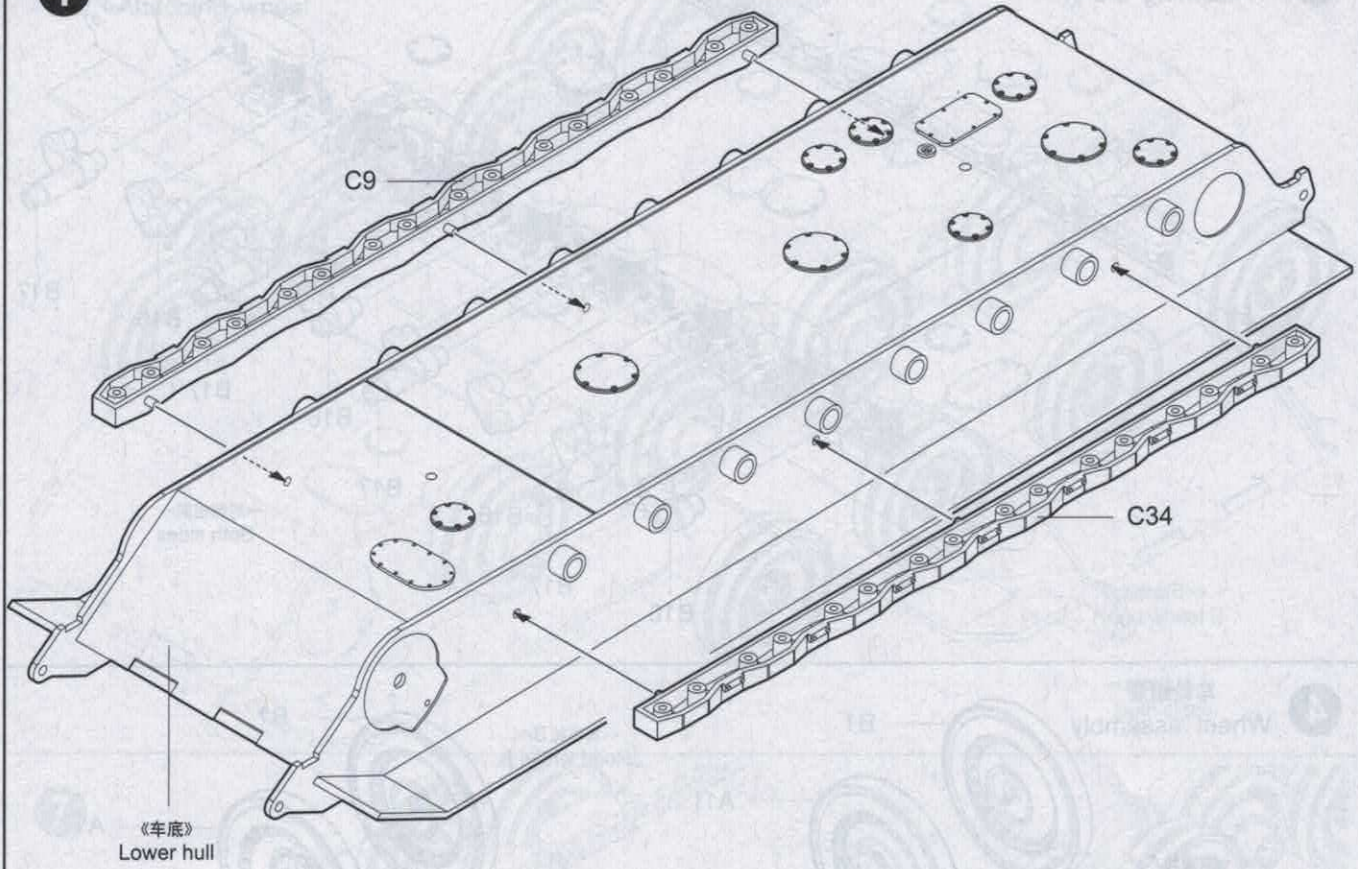


<<履带>>

Track × 2

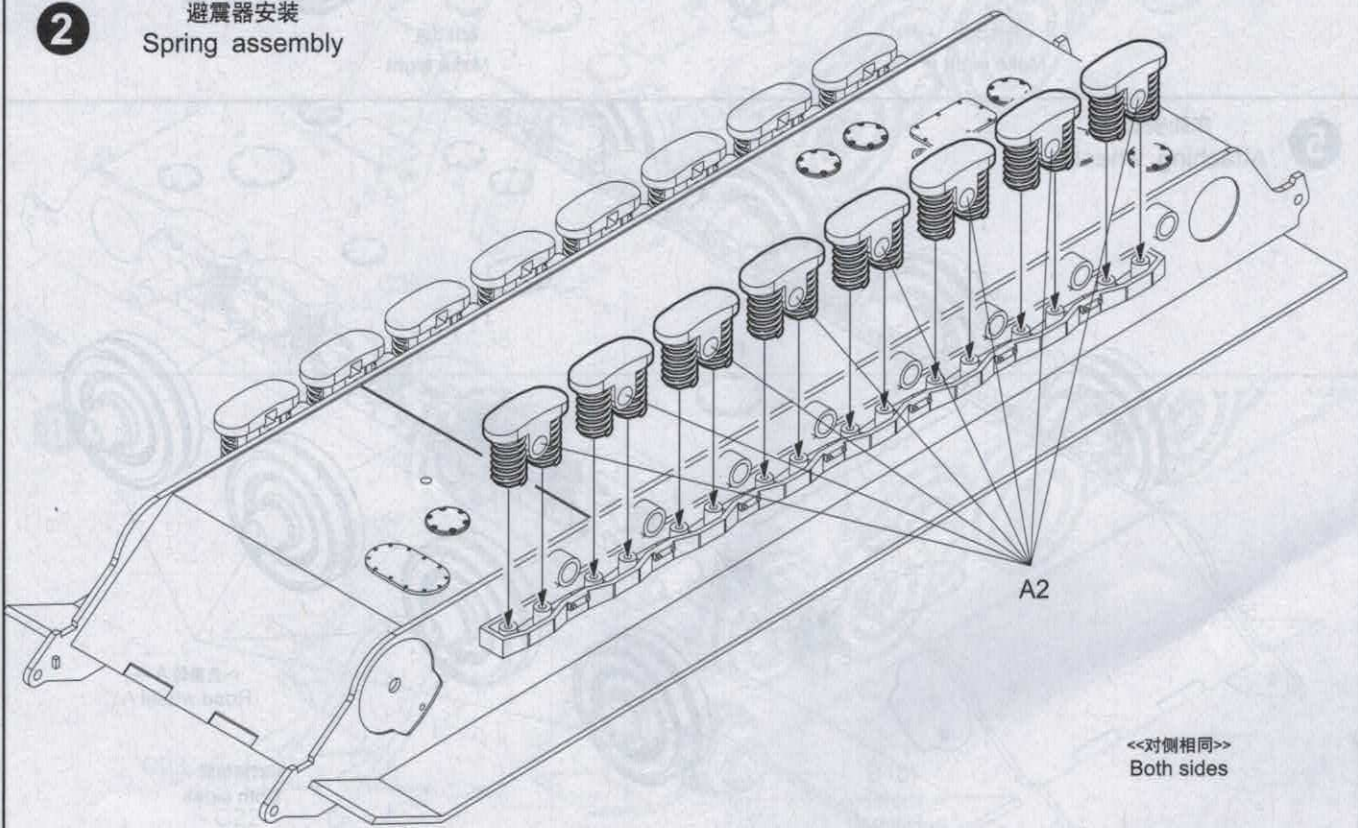


1

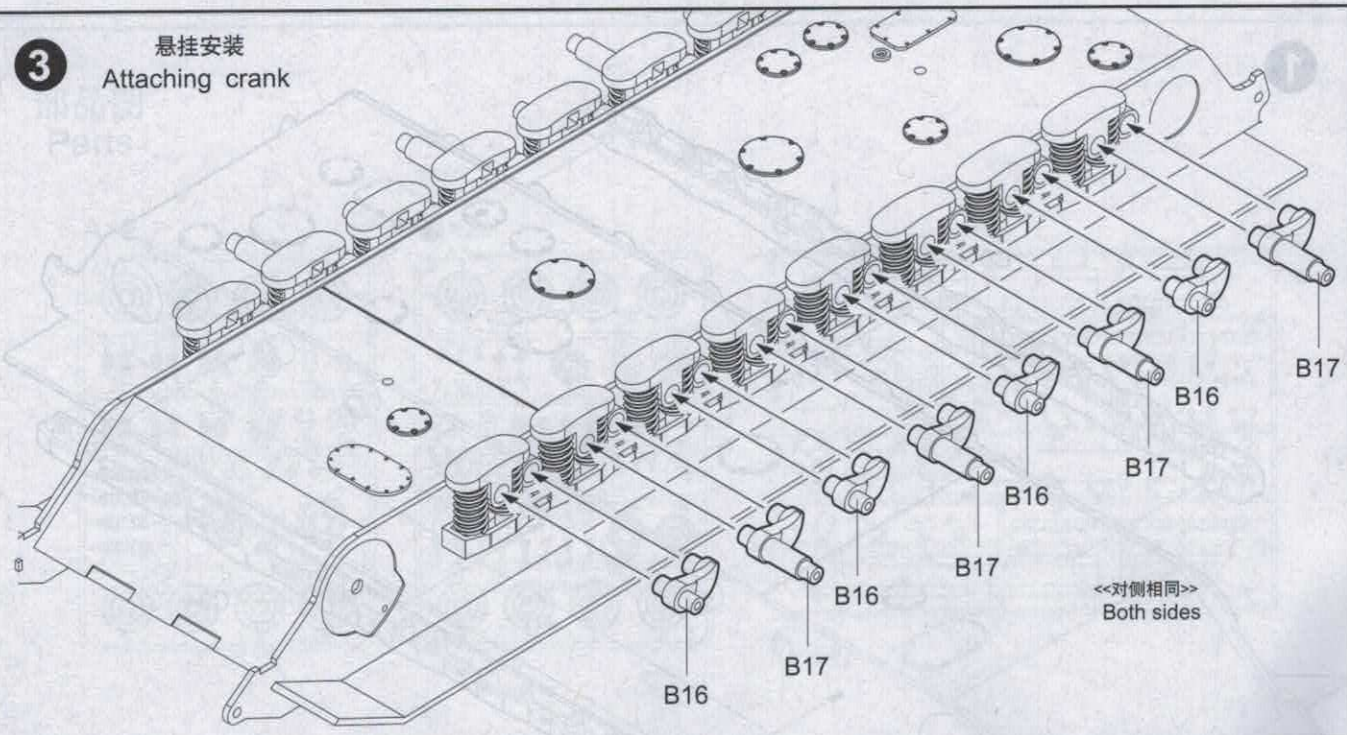


2

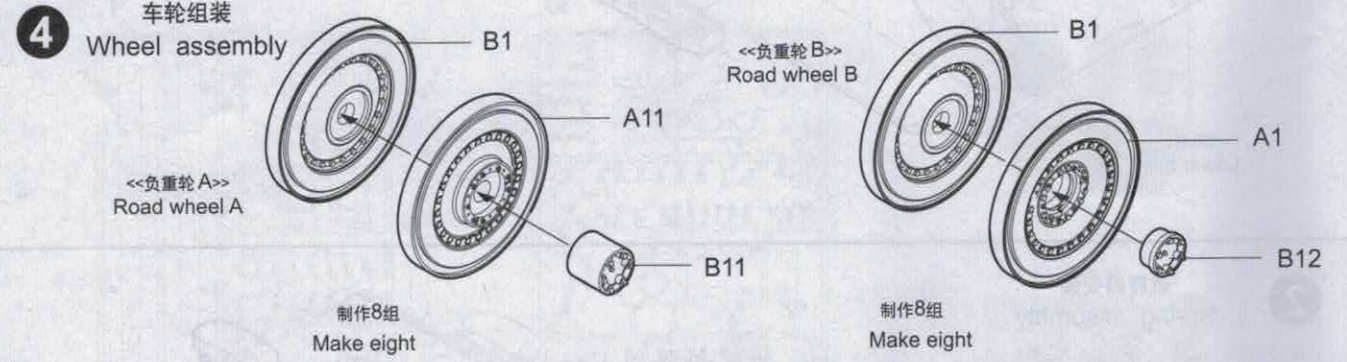
避震器安装  
Spring assembly



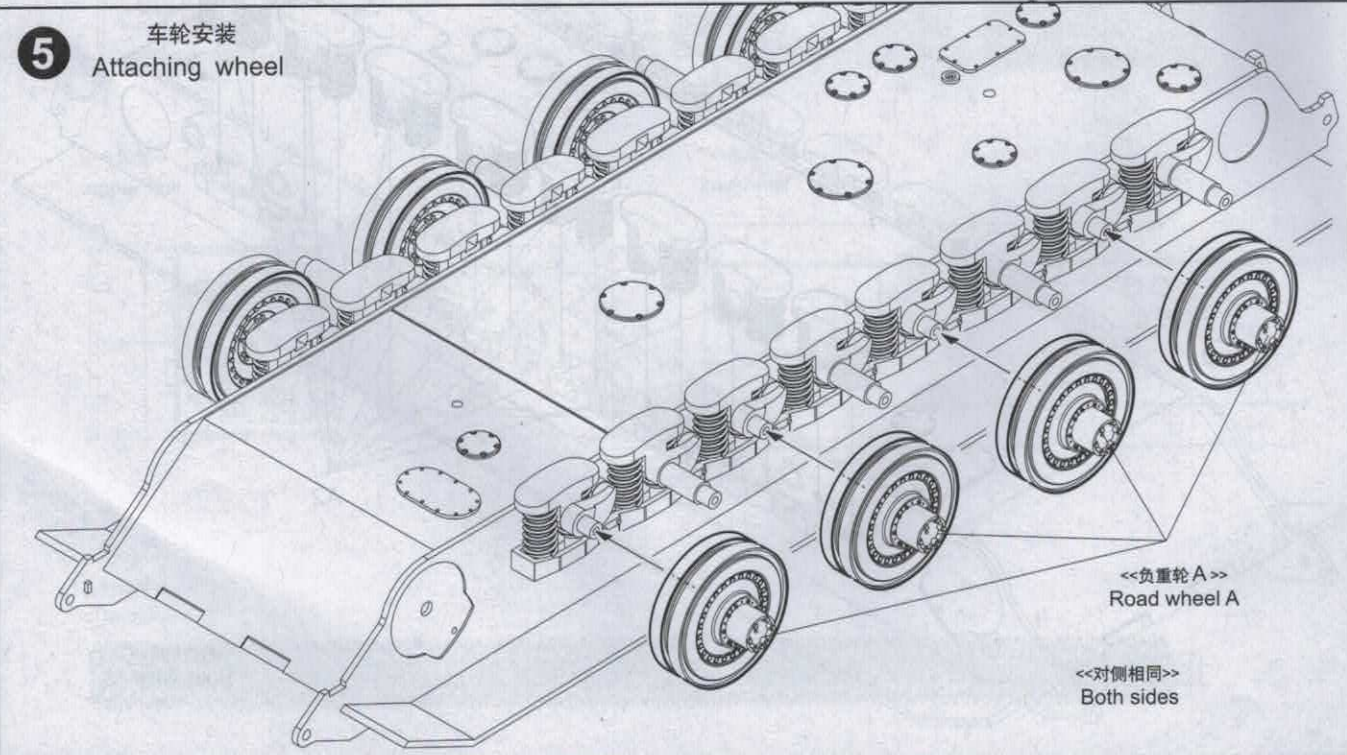
**3** 悬挂安装  
Attaching crank



**4** 车轮组装  
Wheel assembly

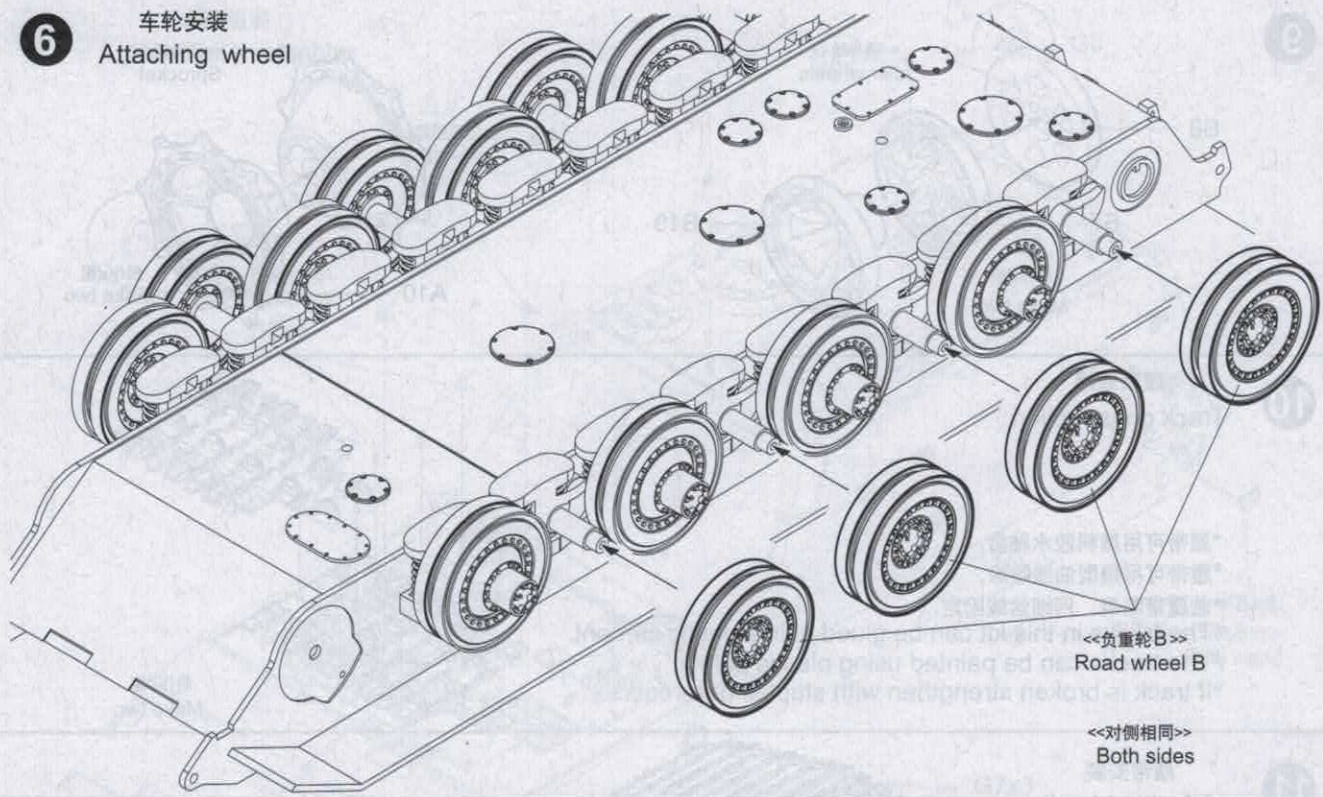


**5** 车轮安装  
Attaching wheel

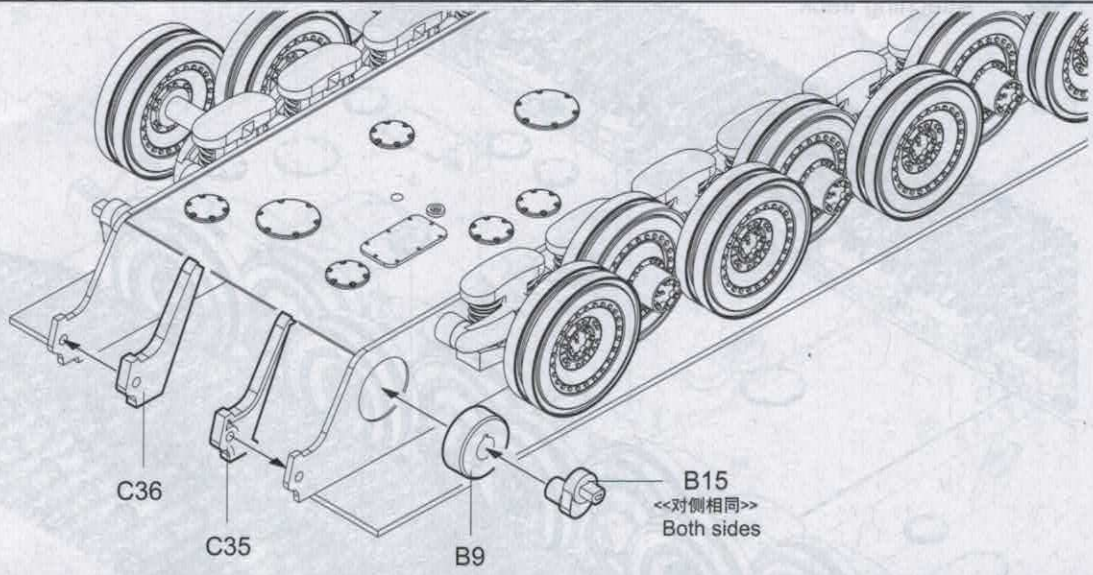


6

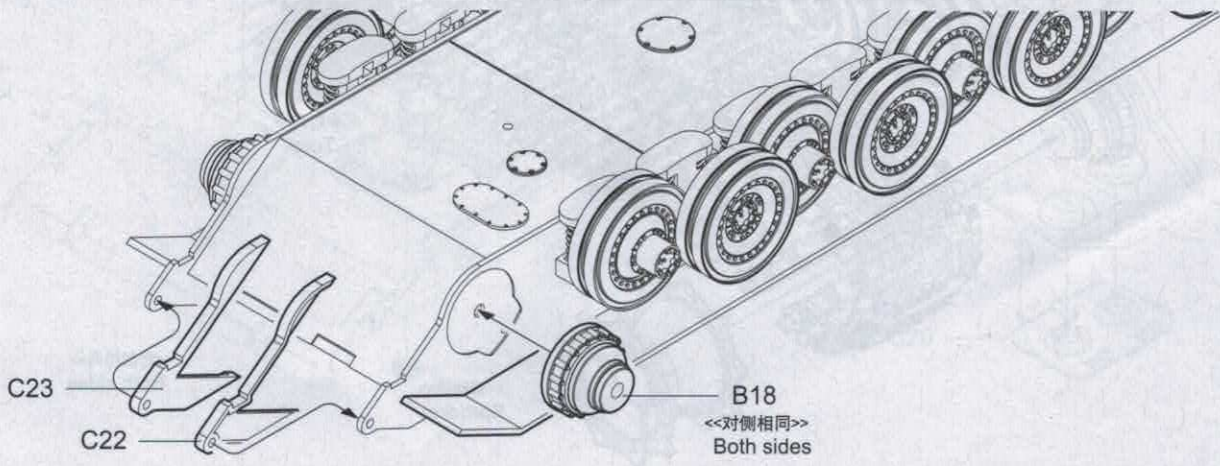
车轮安装  
Attaching wheel



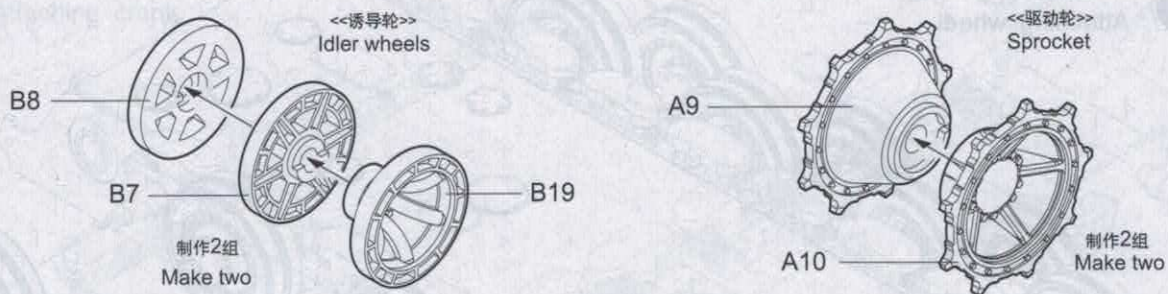
7



8



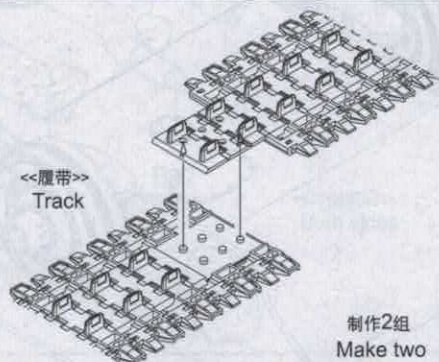
9



10

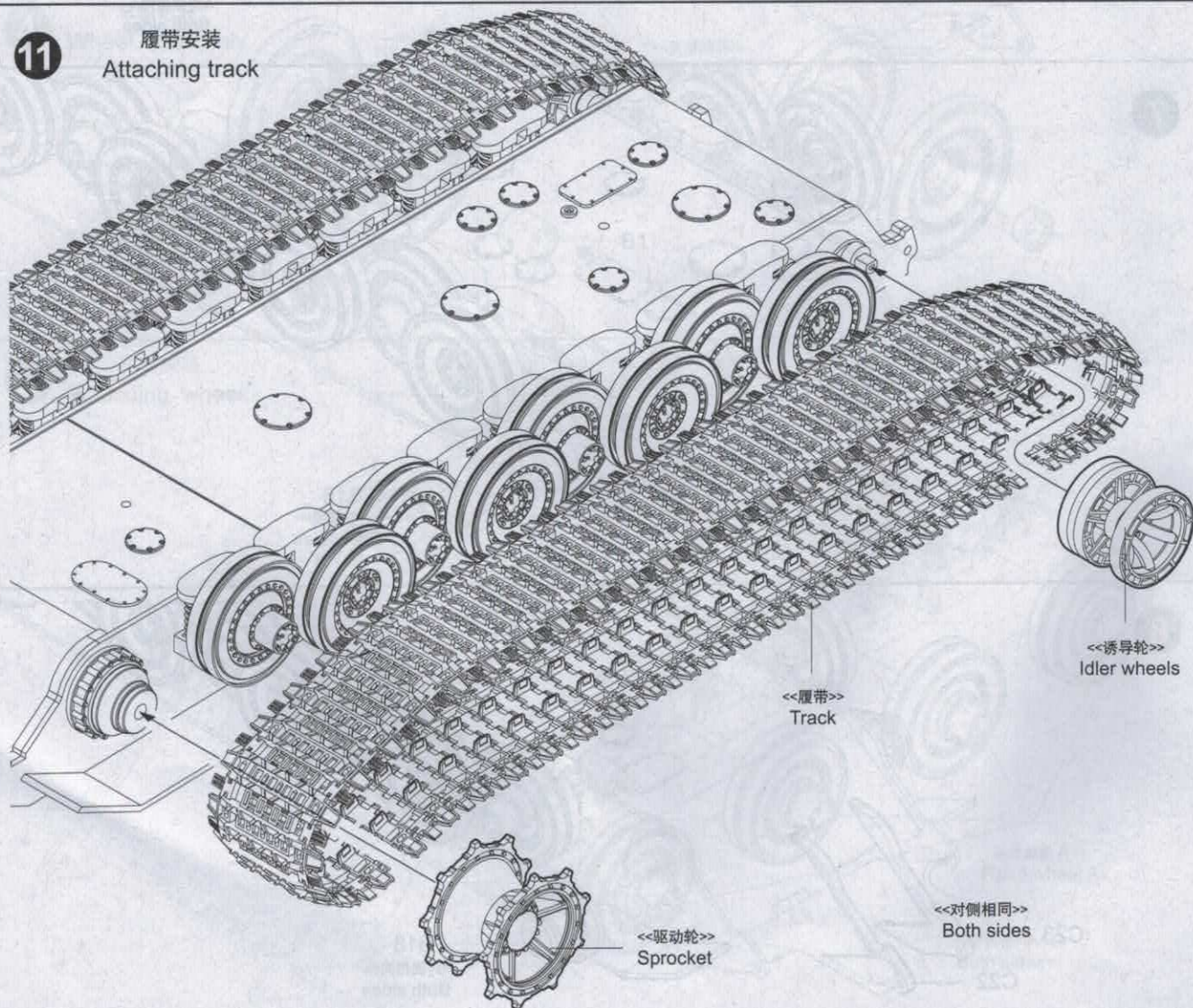
### 履带联接 Track construction

- \*履带可用塑料胶水粘合。
- \*履带可用模型油漆喷涂。
- \*若履带断裂，用细丝线固定。
- \*The tracks in this kit can be glued using plastic cement.
- \*The tracks can be painted using plastic paints.
- \*If track is broken strengthen with staples or thread.



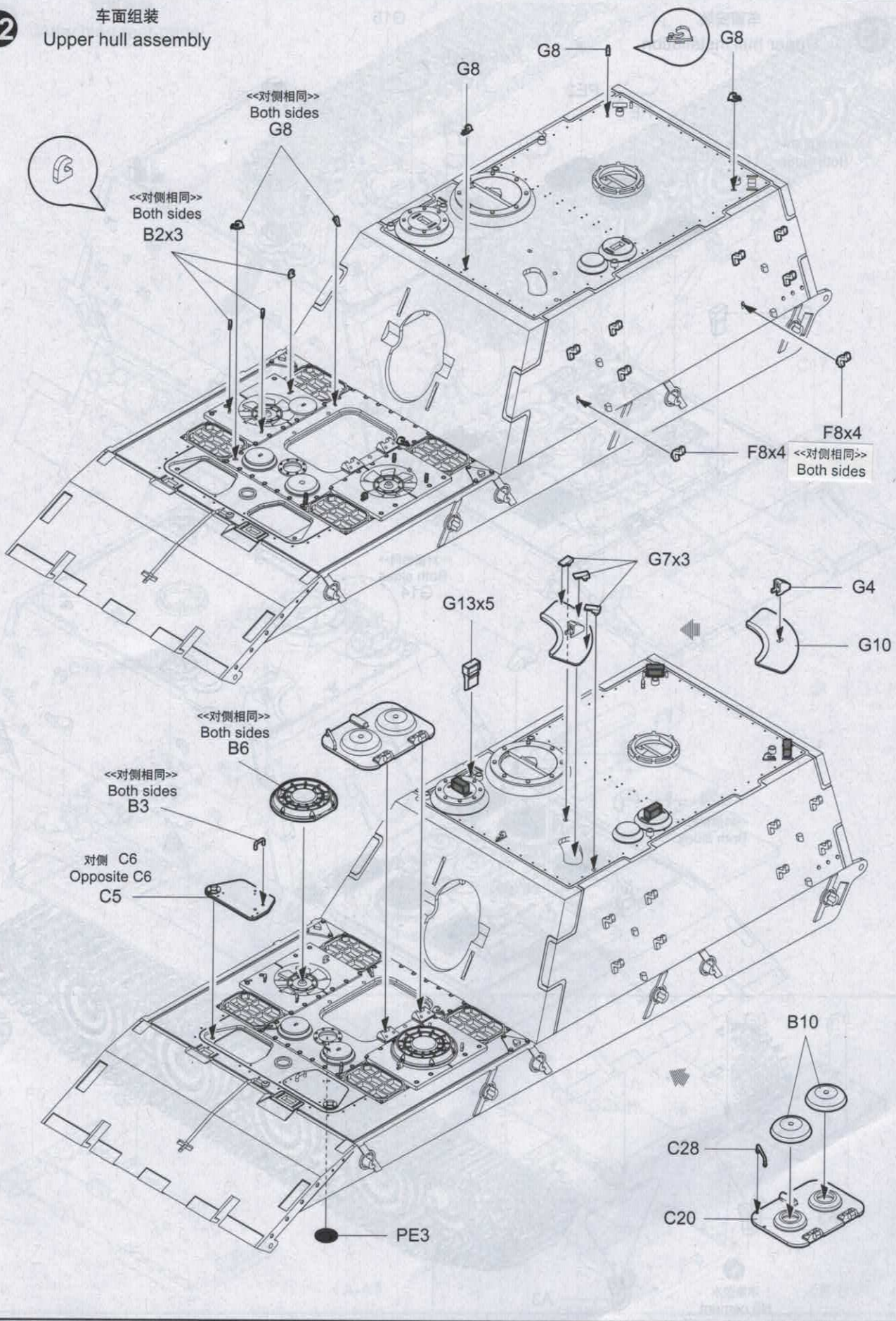
11

### 履带安装 Attaching track



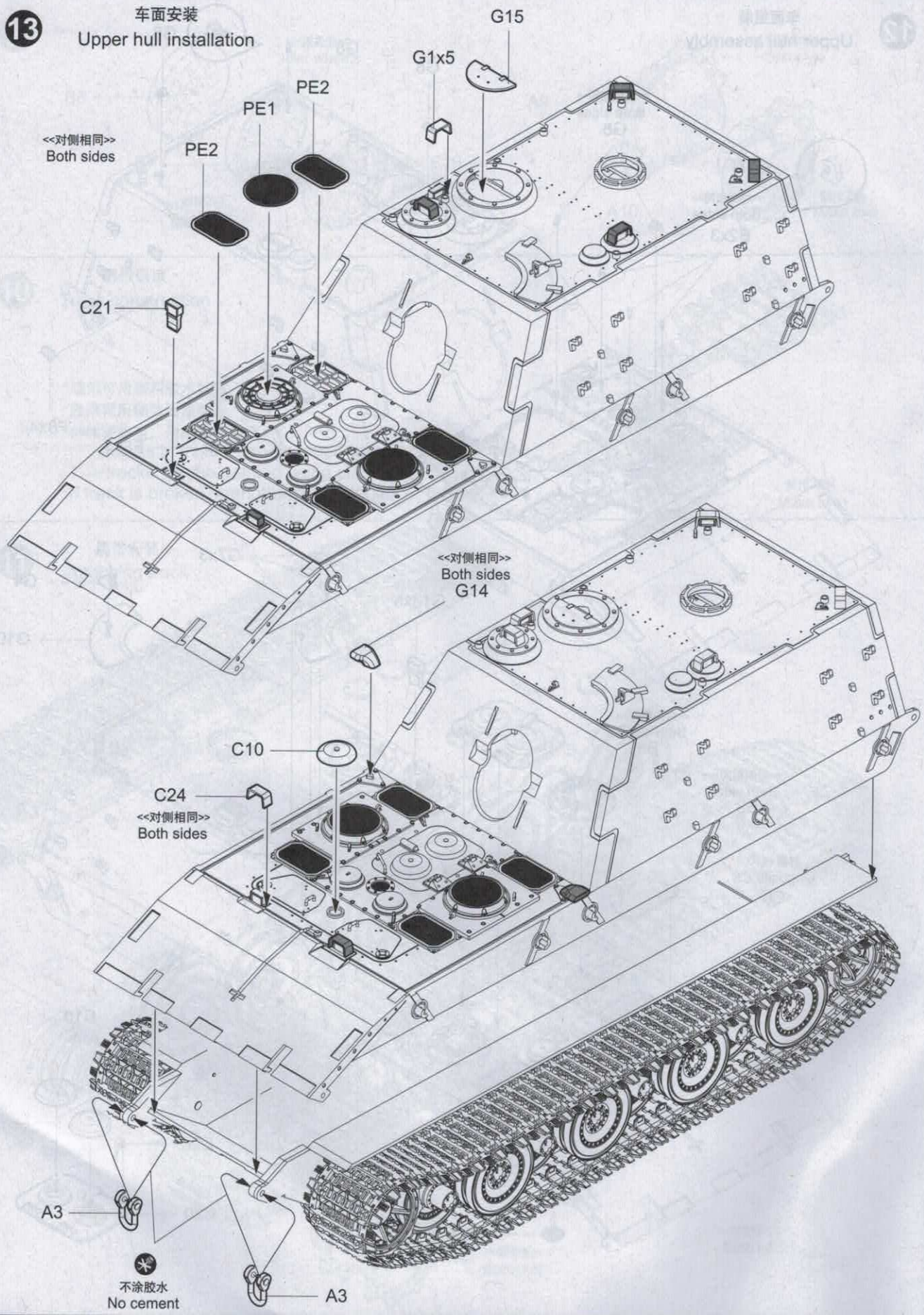
12

车面组装  
Upper hull assembly



13

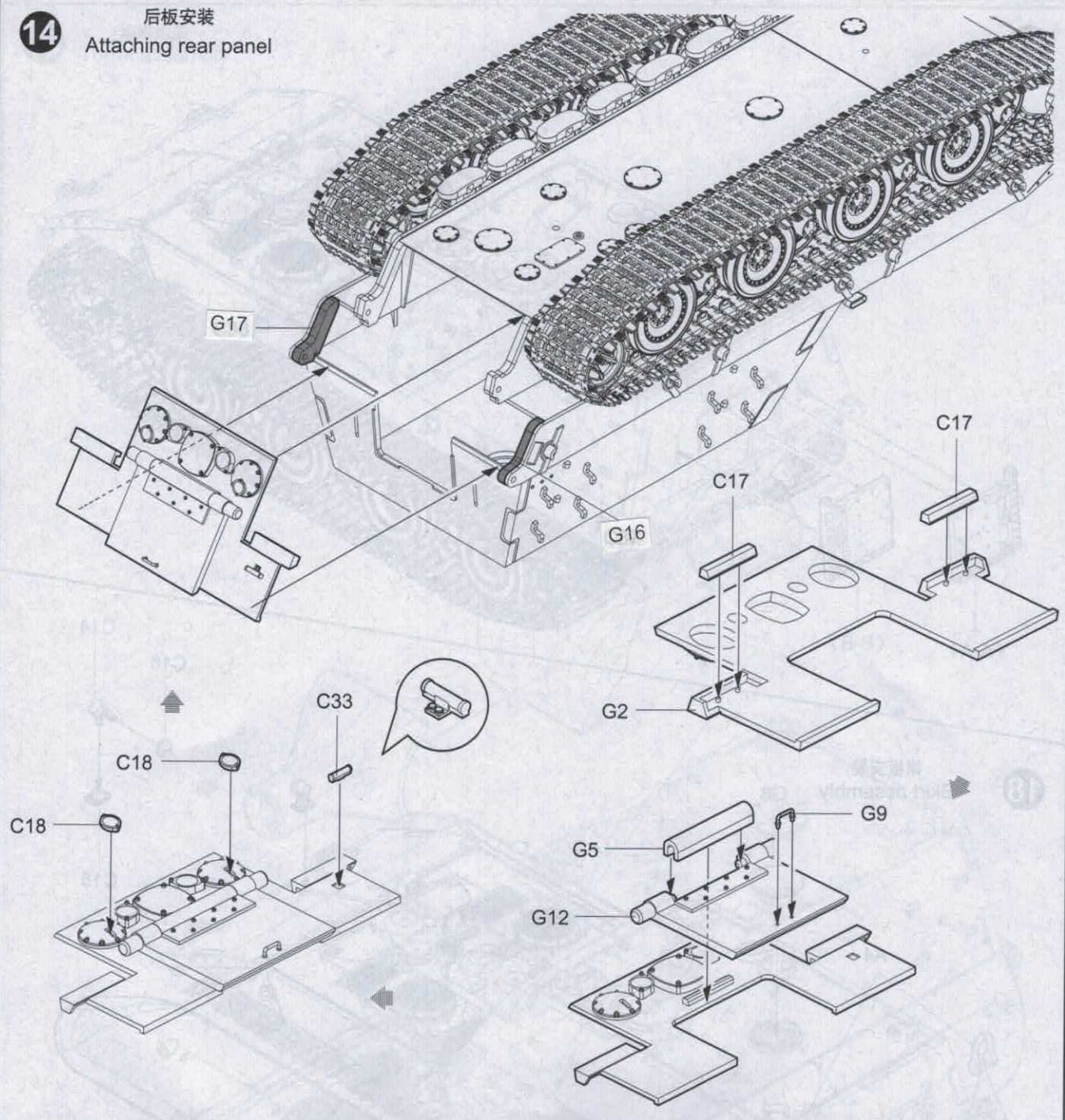
车面安装  
Upper hull installation



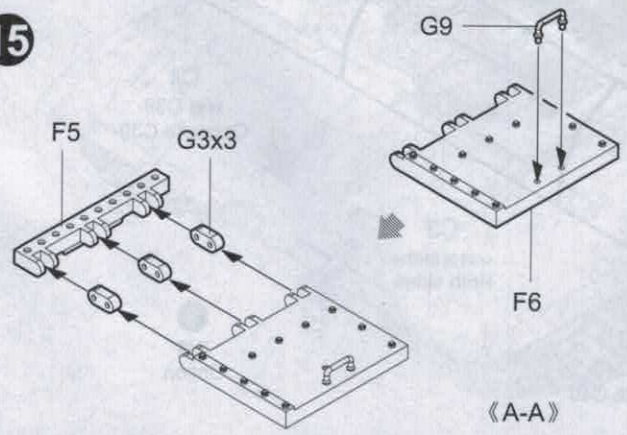


14

后板安装  
Attaching rear panel

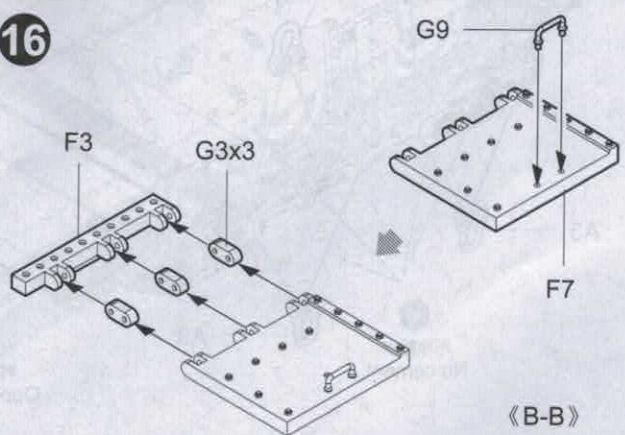


15



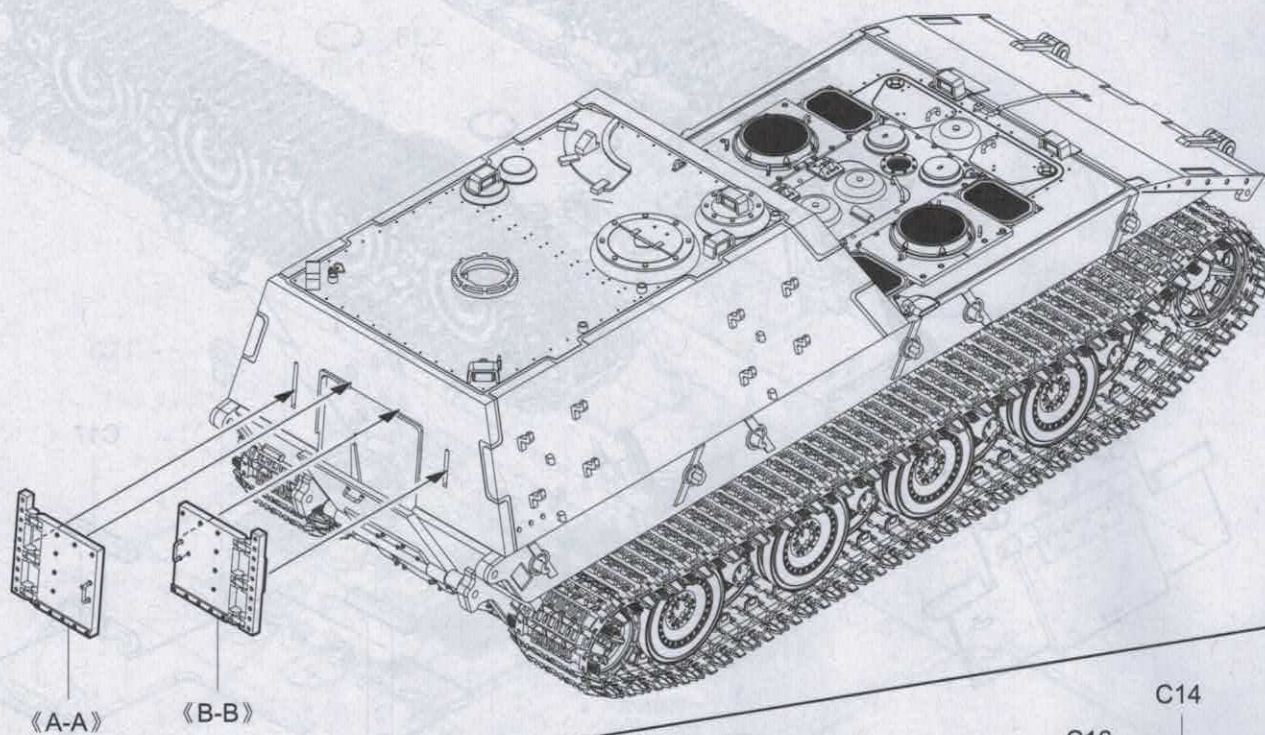
《A-A》

16



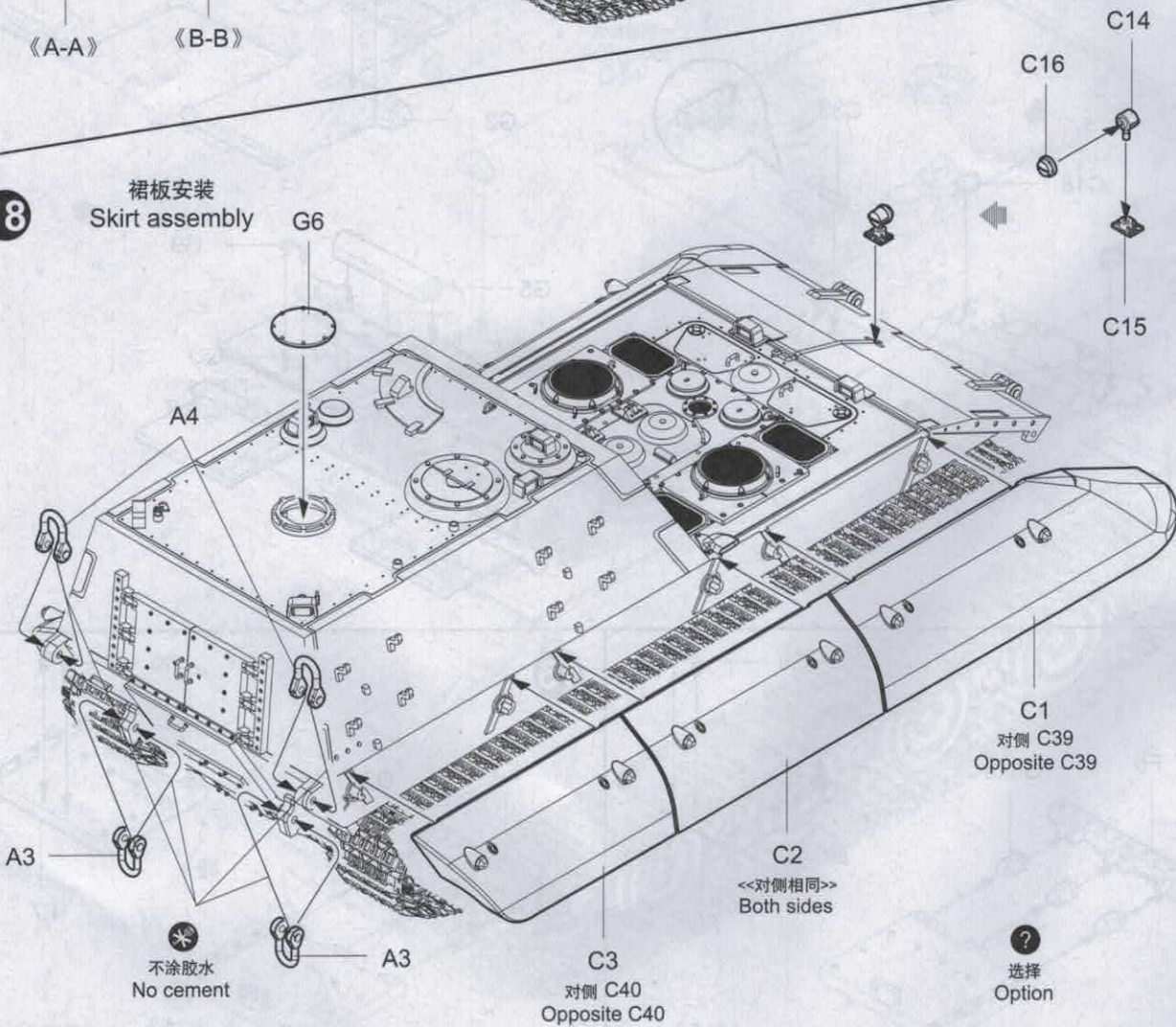
《B-B》

17



18

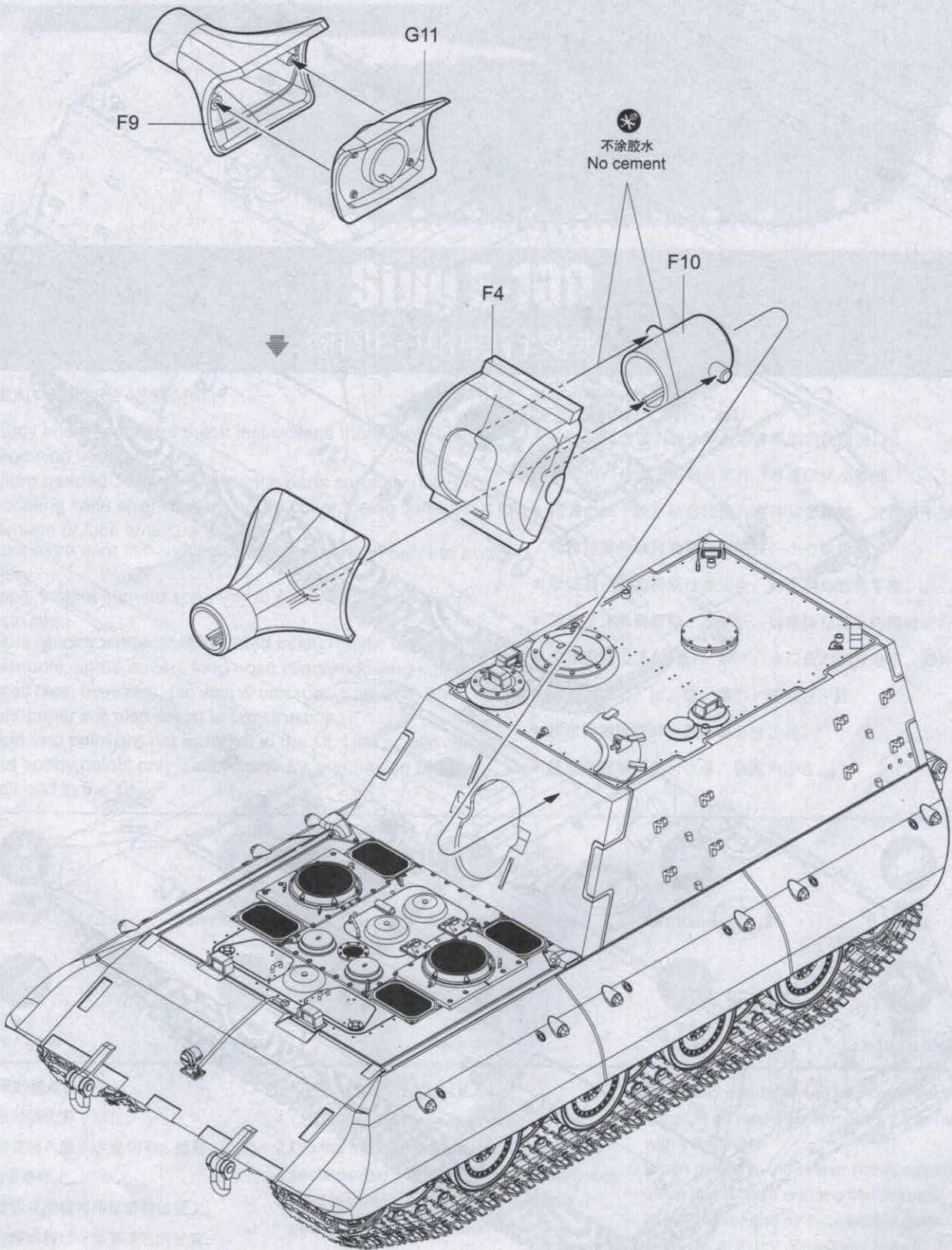
裙板安装  
Skirt assembly

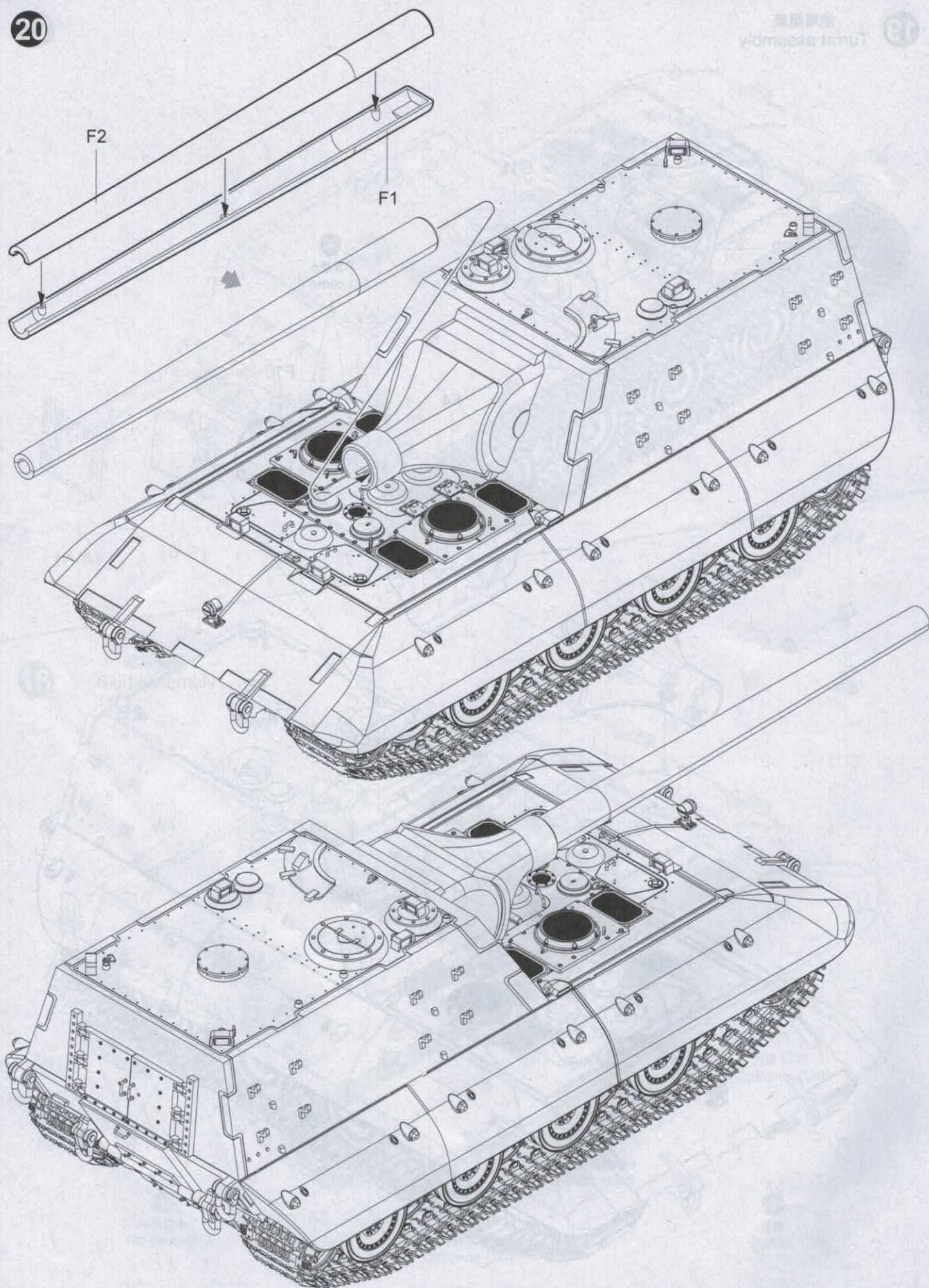


19

炮塔组装  
Turret assembly

ITEM NO. 09542





# 涂装同标贴指示

## Painting & Marking guide

### PAINT REFERENCE COLOUR

Color	Mr.Hobby	Vallejo	Model Master	Tamiya	Humbrol
Drak Green 暗绿色	H 70	-	-	-	-
Red Brown 红棕色	H 47 41	984	-	XF64	160
Sandy Yellow 砂黄色	H 79 39	824	-	XF59	93
Red 红色	H 3 3	908	1503	X7	19
Steel 黑铁色	H 18 28	864	1402	-	-

