



# F8F-2 Bearcat

F8F-2 ベアキャット 美国F8F-2 “熊猫”战斗机

## PLEASE READ BEFORE OPERATION!

- \* Tools recommended as below: (Not included)
- Adhesives; Paints; Side Cutters; Sharp Edged Pliers; Modeling Knife; Modeling File; Nippers; Drill; Scissors; Sand Paper; Soft Cloth; Cyanoacrylate Glue.
- \* Make sure to read this instruction listed below before assembling.
- \* The kit contains the small parts, they can be dangerous if swallowed by mistake, so keep them away from reach of children.
- \* Cut the all parts off carefully and remove the waste parts into the garbage can.
- \* More caution and care should be needed for cutting and handling the photo etched parts.
- \* Make attention that some parts should be attached the decal when assembled.
- \* During assembling, please tear up and throw away the plastic bags, or may cause the dangerous if wearing over head by children's mistake.
- \* When using the adhesives and paints, please do not use them in the closed room or near the fire, also must be very careful to protect your eyes, face and clothes.
- \* Adult supervised when assembled by children under 14 years old.

## 装配前请仔细阅读:

- \* 推荐使用的模型工具(请自备):  
专用模型胶水, 专用模型油漆, 水口剪刀, 长咀钳, 刀片, 锉刀, 镊子钳, 钻, 剪刀, 软布, 砂纸, 瞬间快干胶等。
- \* 用水口剪刀或刀片小心切下所有塑胶零件和蚀刻片零件, 不要遗失小零件。
- \* 切取蚀刻片时应特别注意防止利边划伤手指。
- \* 用模型锉刀小心锉平所有零件表面的注射浇口。
- \* 用适量的强力快干胶水粘合蚀刻片零件和金属轴, 切忌过量, 否则可能导致可动零件被粘住。
- \* 注意某些零件表面需在装配时同步贴水上贴纸。
- \* 制作时应远离幼儿并将包装袋及时收妥, 谨防小孩玩耍而引起意外。



cyanoacrylate glue  
强力胶



weight  
配重



make hole  
钻孔



cut / remove  
切除



option  
选择



no cement  
不涂胶水



decal  
贴纸



bend  
弯曲



repair  
填补

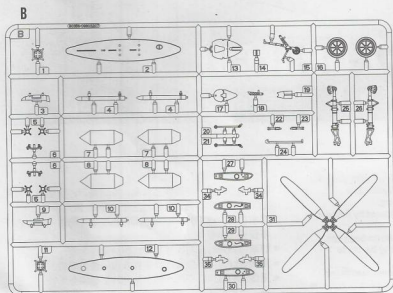
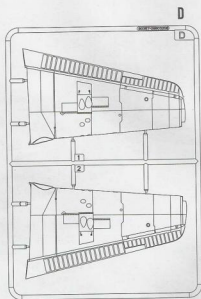
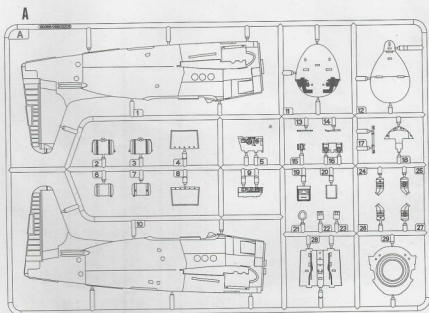
## The method to apply the decals

1. Cut off the decal from the decal paper and put it into the warm water 40°C for 10 seconds.
2. Take the decal from the water and put it on a piece of clean cloth.
3. Remove the decal slowly from the paper to the targeted location by a wet finger.
4. Use a piece of dry and soft cloth to press it gently on the decal until it getting dry and no bubble existing.

## 水贴纸的使用方法:

- 一. 把相关的印花从水张贴纸上剪下, 放入40°C左右的温水中浸10秒。
- 二. 然后将印花放在干净的布上。
- 三. 拿上印花纸, 手指蘸水将印花移到适当的位置。
- 四. 用软干布轻压印花直至水干, 气泡消失。

部品图  
Parts



《引擎罩》  
Cowling

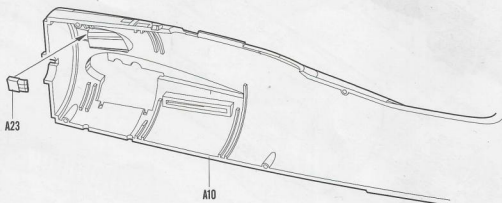
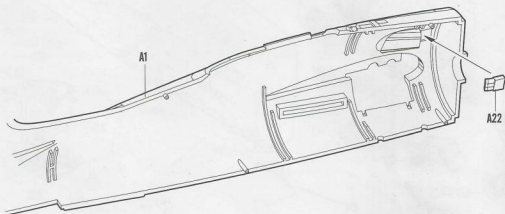
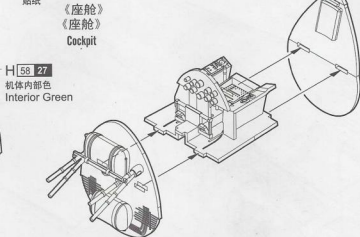
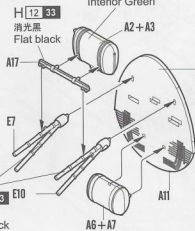
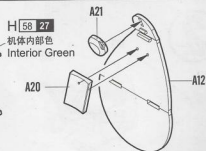
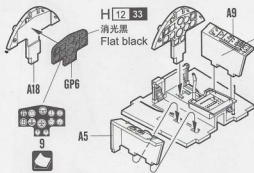
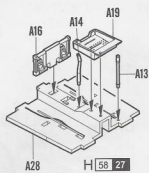


《水贴》  
Decal

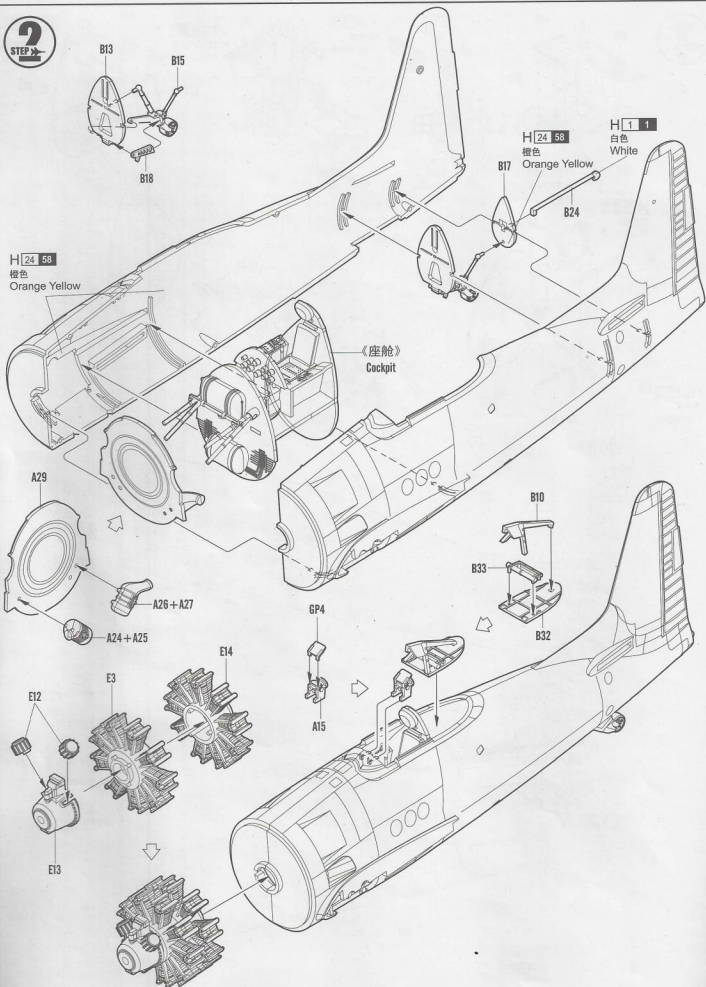


- 不用的部件: A4 GP5  
Unused parts

1  
STEP



**2**  
STEP



3  
STEP

《左侧机翼》

Left wing



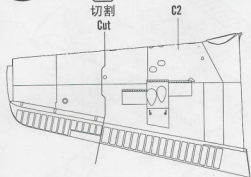
切割  
Cut

《折叠状态》

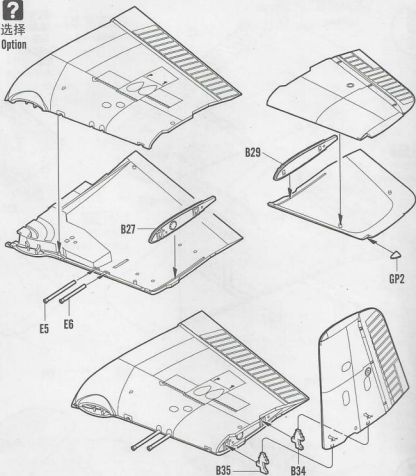
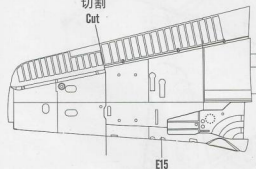
Folding



选择  
Option



切割  
Cut



《右侧机翼》

Right wing



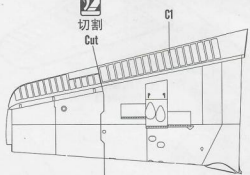
切割  
Cut

《折叠状态》

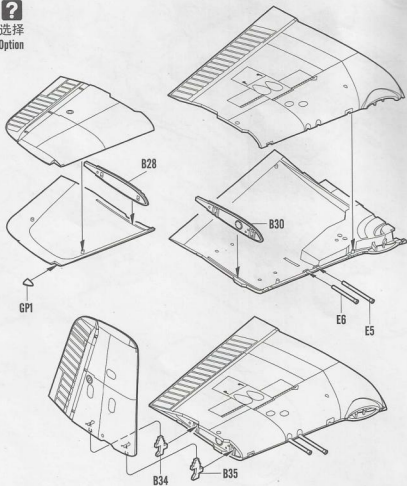
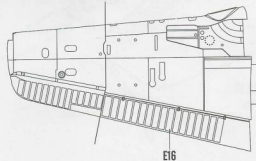
Folding



选择  
Option



切割  
Cut







《左侧机翼》  
Left wing

《展开状态》  
Expanding

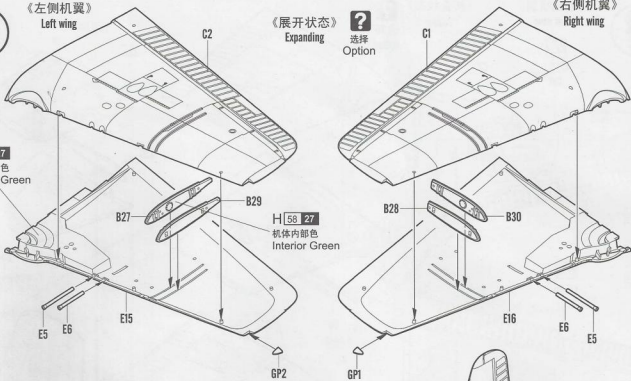


选择  
Option

《右侧机翼》  
Right wing

H 58 27  
机体内部色  
Interior Green

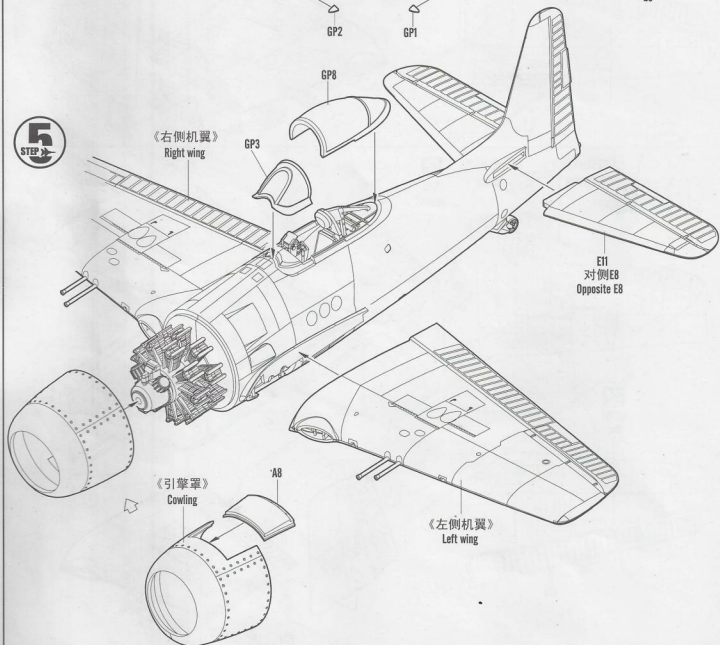
H 58 27  
机体内部色  
Interior Green



《右侧机翼》  
Right wing

《引擎罩》  
Cowling

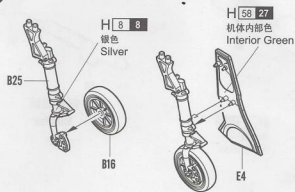
《左侧机翼》  
Left wing





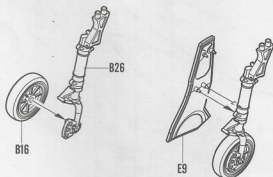
《左侧起落架》

Left undercarriage



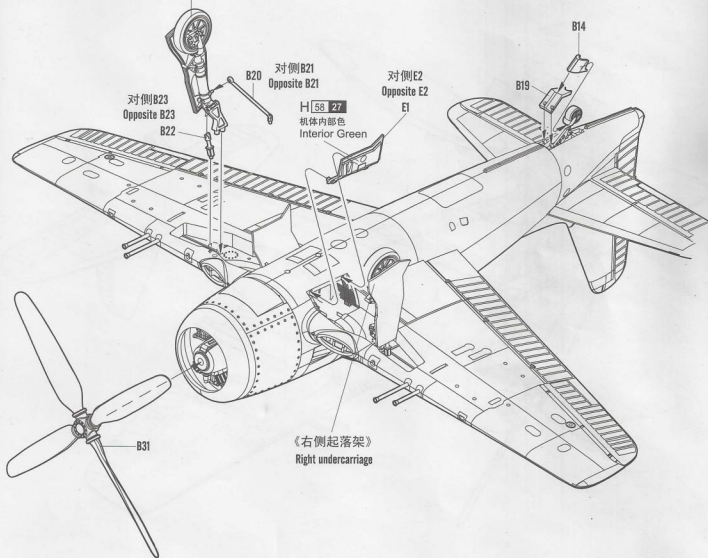
《右侧起落架》

Right undercarriage

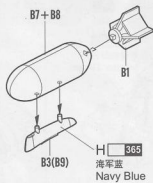
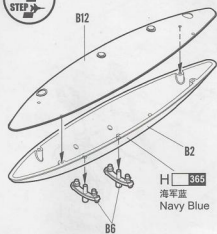


《左侧起落架》

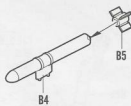
Left undercarriage



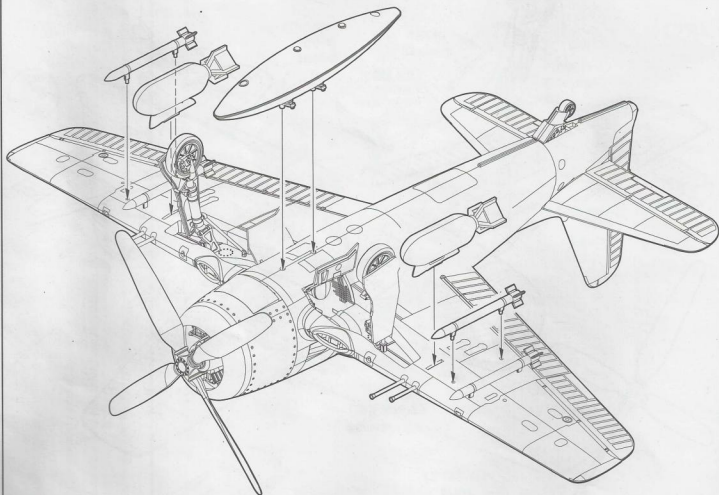
**7**  
STEP



制作两组  
Make two

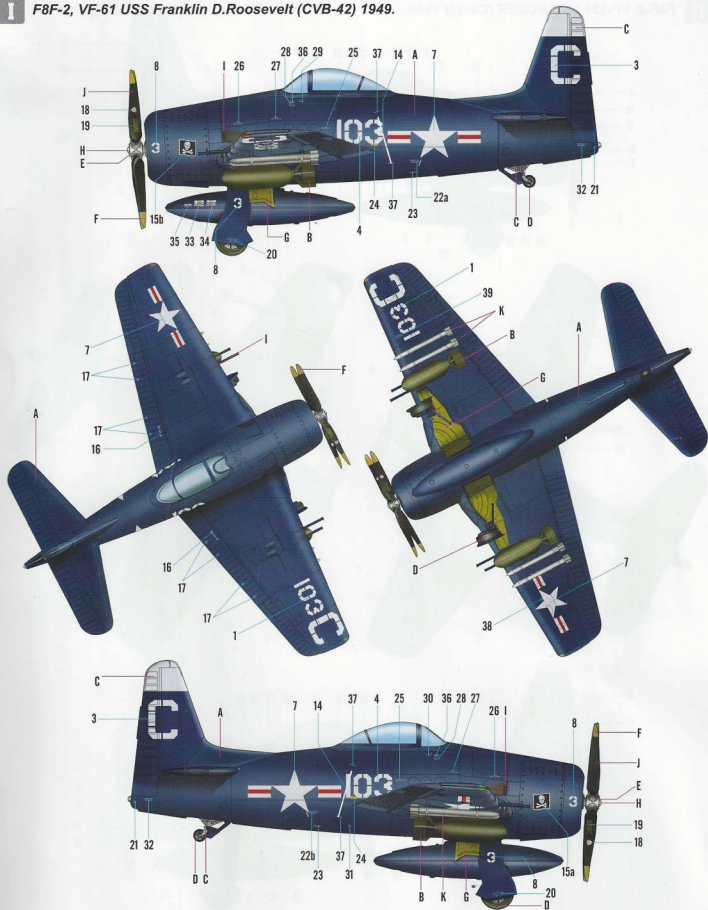


制作四组  
Make four



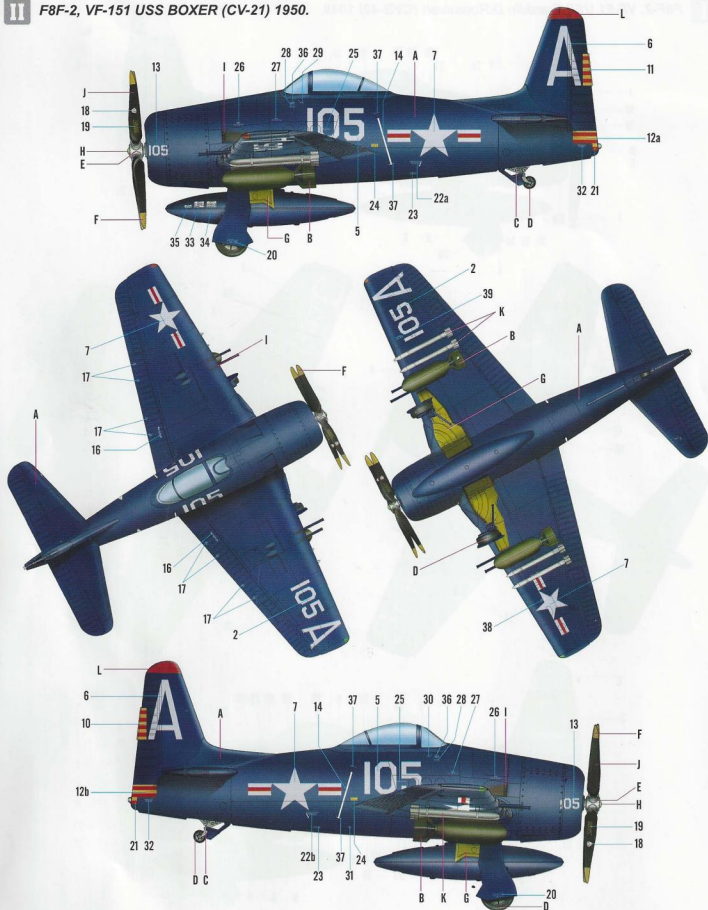


**I** F8F-2, VF-61 USS Franklin D. Roosevelt (CVB-42) 1949.



Color	Mr.Hobby	Vallejo	Model Master	Tamiya	Humbrol	Color	Mr.Hobby	Vallejo	Model Master	Tamiya	Humbrol
<b>A</b> 海军蓝 Navy Blue	H103	--	--	--	--	<b>D</b> 胎黑色 Tire Black	H177	987	--	--	--
<b>B</b> 褐色色	--	987	179	Y99	165	<b>C</b> 银色	--	997	1516	Y11	11

## II F8F-2, VF-151 USS BOXER (CV-21) 1950.



Color	Mr.Hobby	Vallejo	Model Master	Tamiya	Humbrol	Color	Mr.Hobby	Vallejo	Model Master	Tamiya	Humbrol
<b>G</b> 机体内颜色 Interior Green	H 88 27	--	--	--	--	<b>J</b> 深蓝色 Flat Black	H 88 33	950	1749	XF1	33
<b>H</b> 绿色	--	950	7706	YS 1	--	<b>K</b> 灰色	--	893	7703	XF55	38