

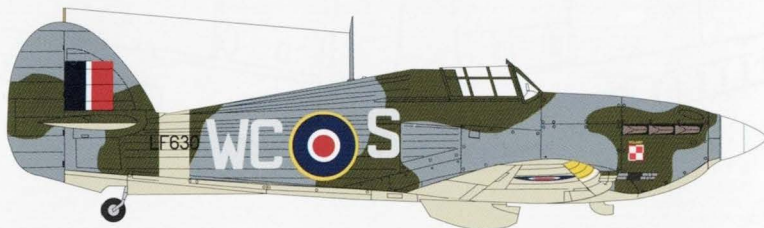
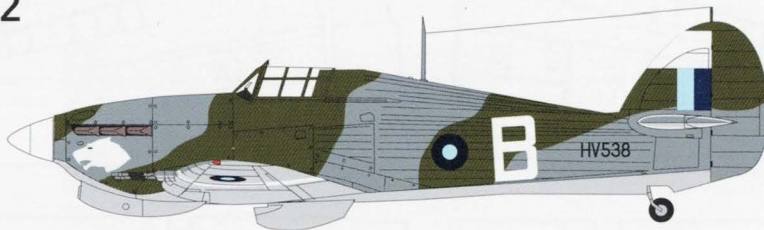


Hawker Hurricane Mk.IIc/IIc Trop

32012

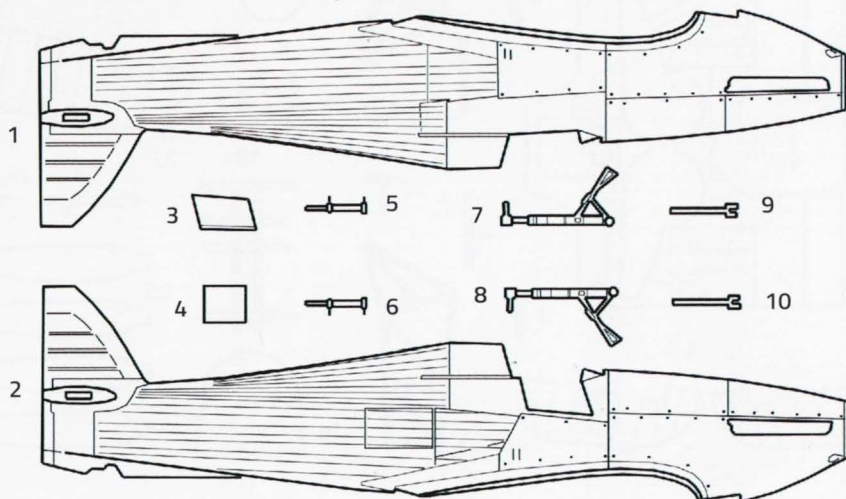
32013

1/32

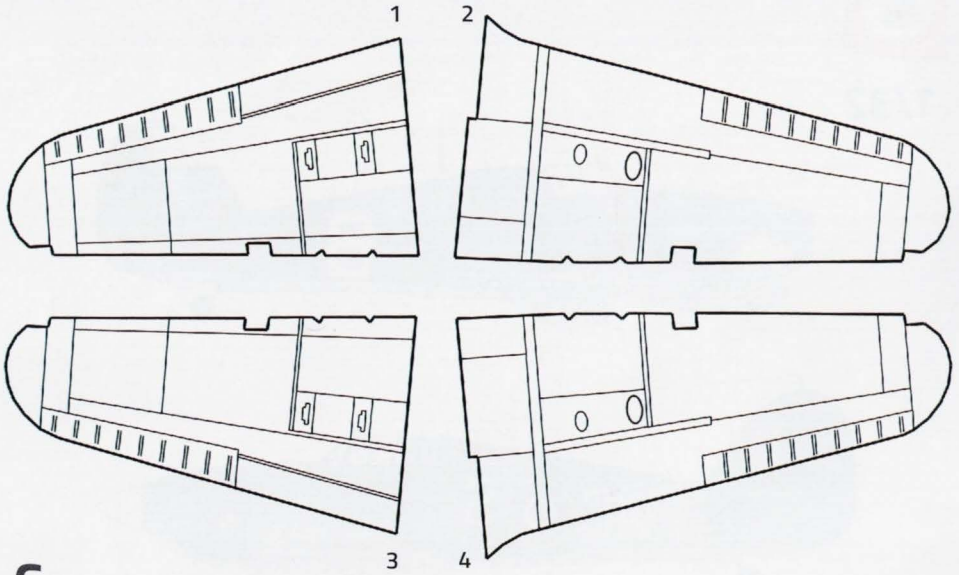


A

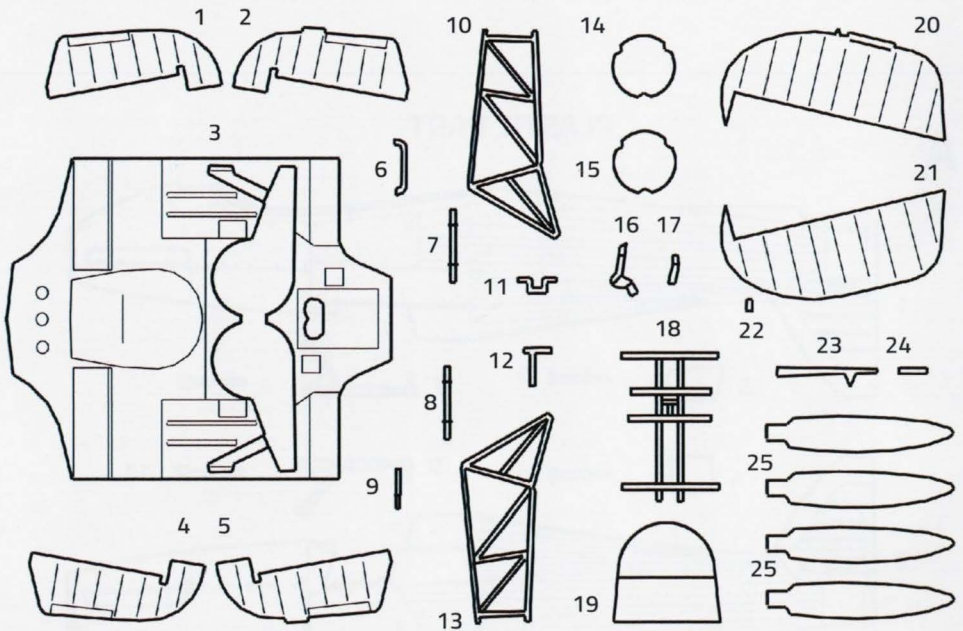
PLASTIC PART

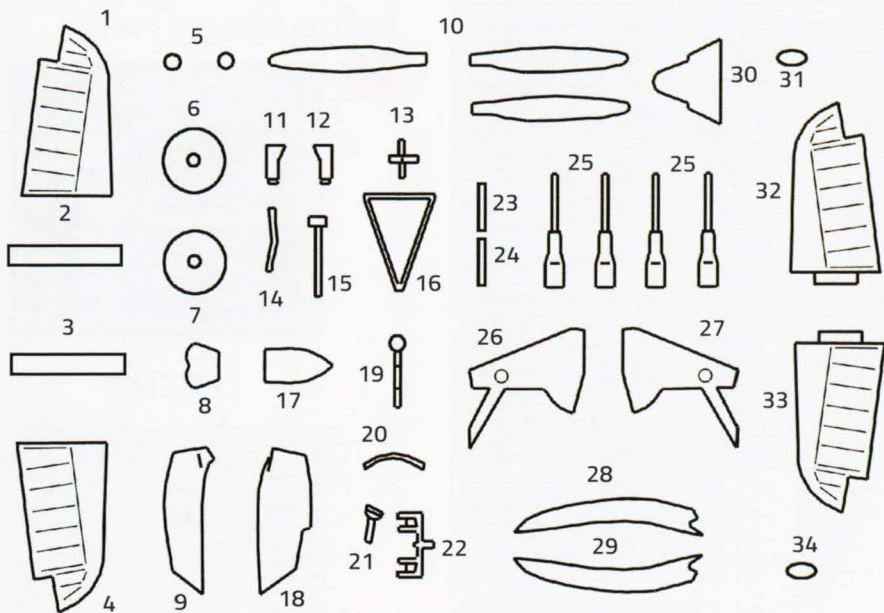
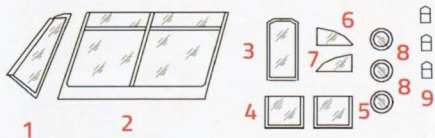
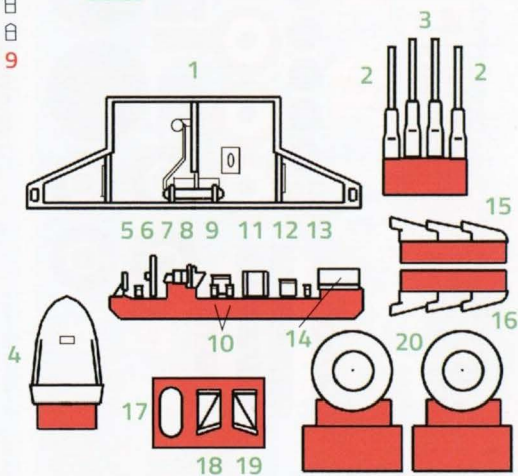
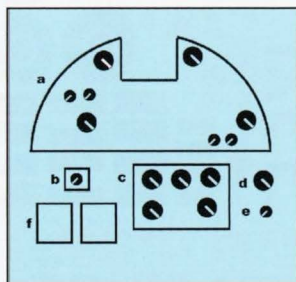


B



C



D**CLEAR PART****RESIN PART****FILM PART**

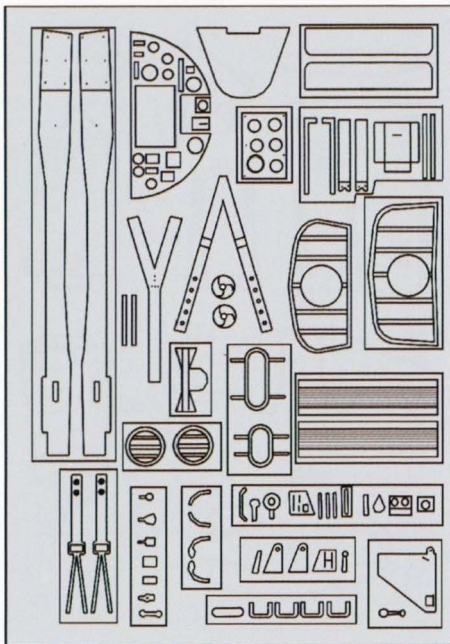
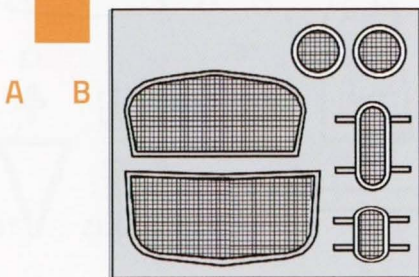


PHOTO ETCHED PART

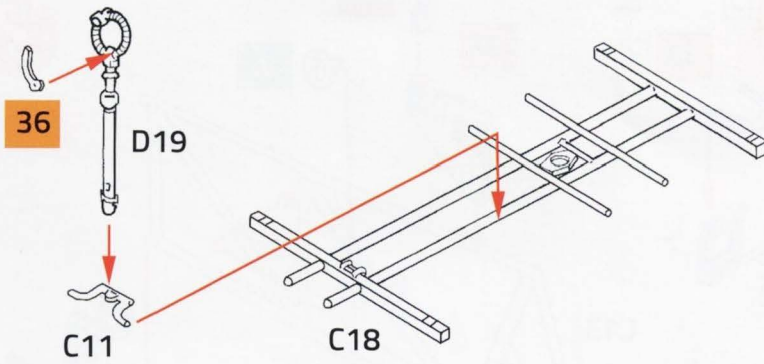


LEGEND

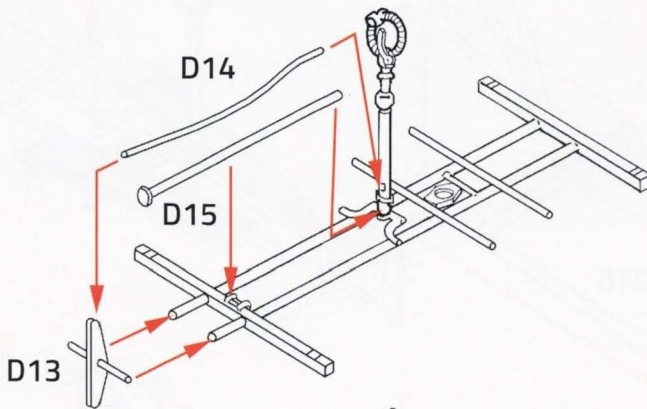
	SYMMETRICAL ASSEMBLY SYMETRICKÁ MONTÁŽ		COLOR BARVIT
	REMOVE ODSTRANIT		
	GRIND OBROUSIT		
	DRILL HOLE VRTÁT OTVOR		
	BEND OHNOUT		
	OPTION VOLBA		
	DECAL OBTISK		

DECALS

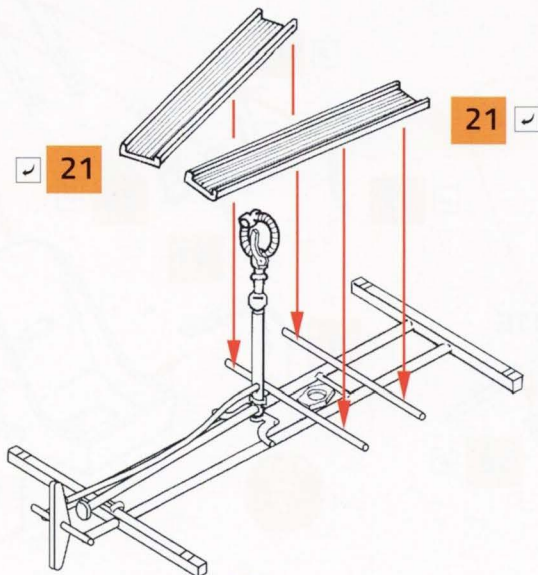




STEP
1



STEP
2



STEP
3

STEP 5

13 13

37 38

7

STEP 4

C13

D22

D16

STEP 6

7

10

8

12

10

11

4

D

D16

9

12

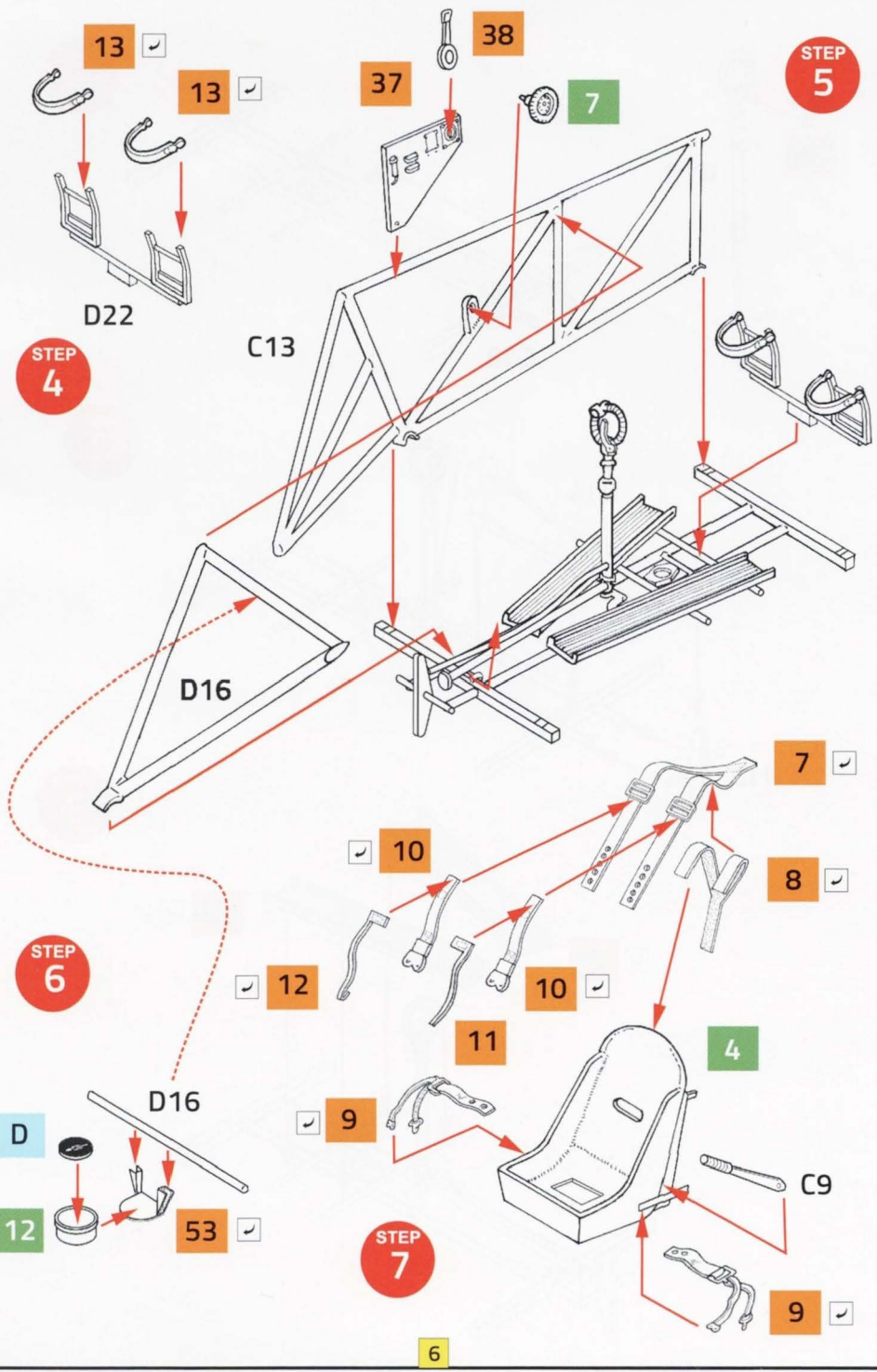
53

STEP 7

C9

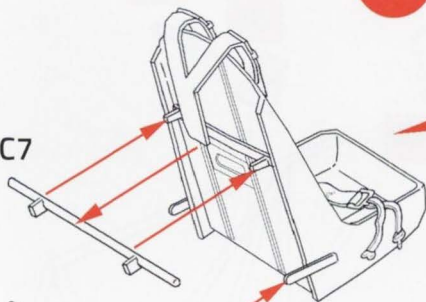
9

6

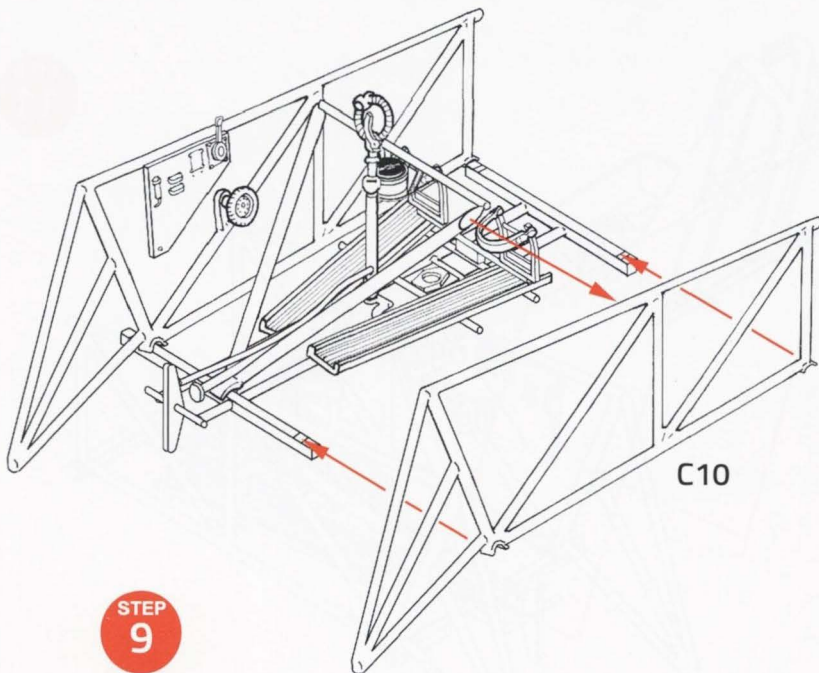
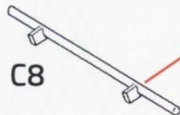


STEP
8

C7

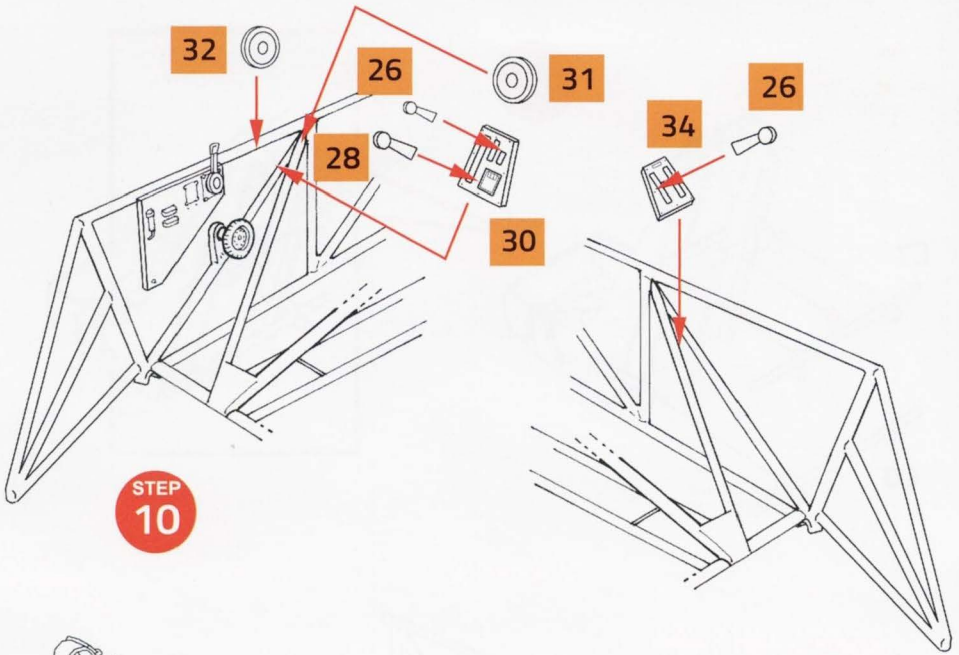


C8



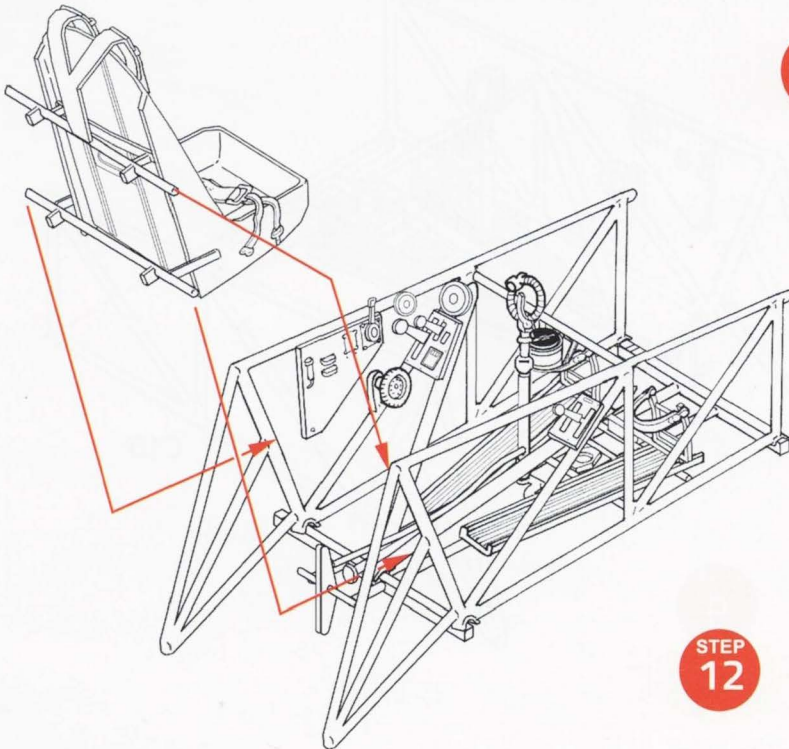
STEP
9

C10



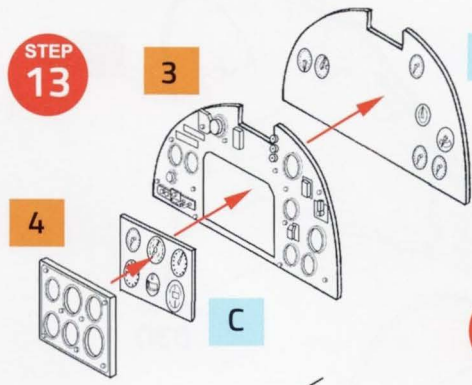
STEP
10

STEP
11

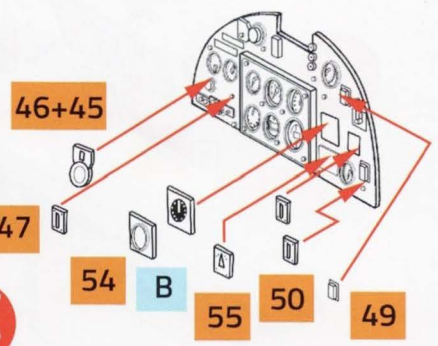


STEP
12

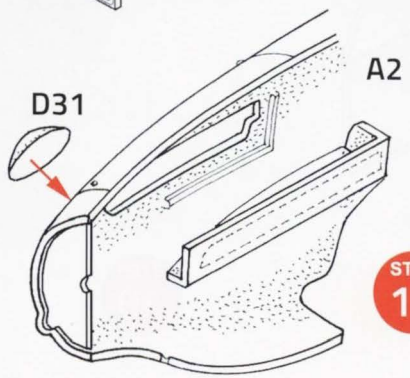
STEP 13



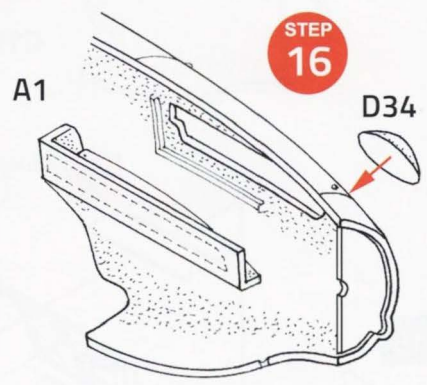
A



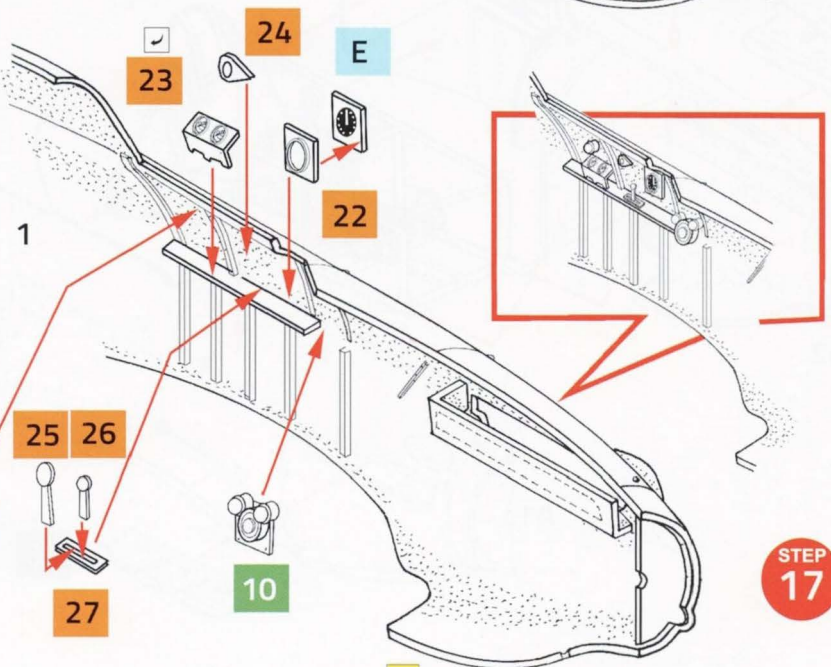
STEP 14



STEP 15

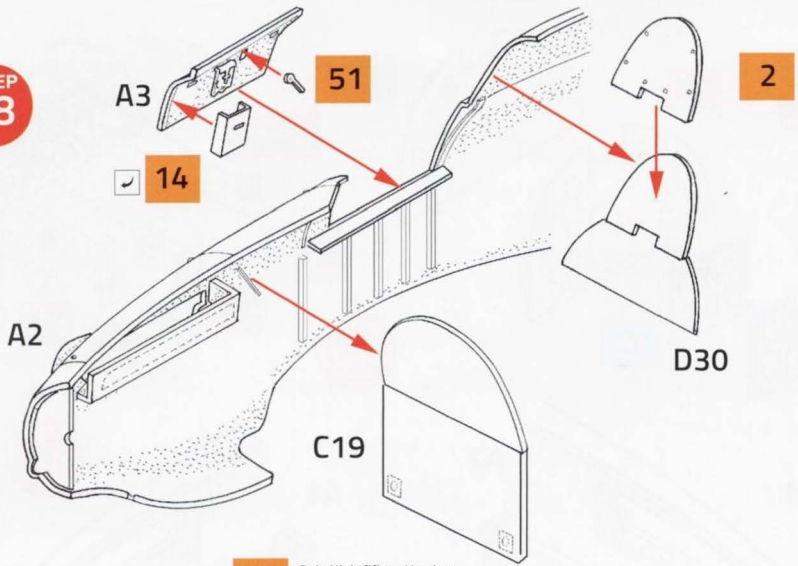


STEP 16



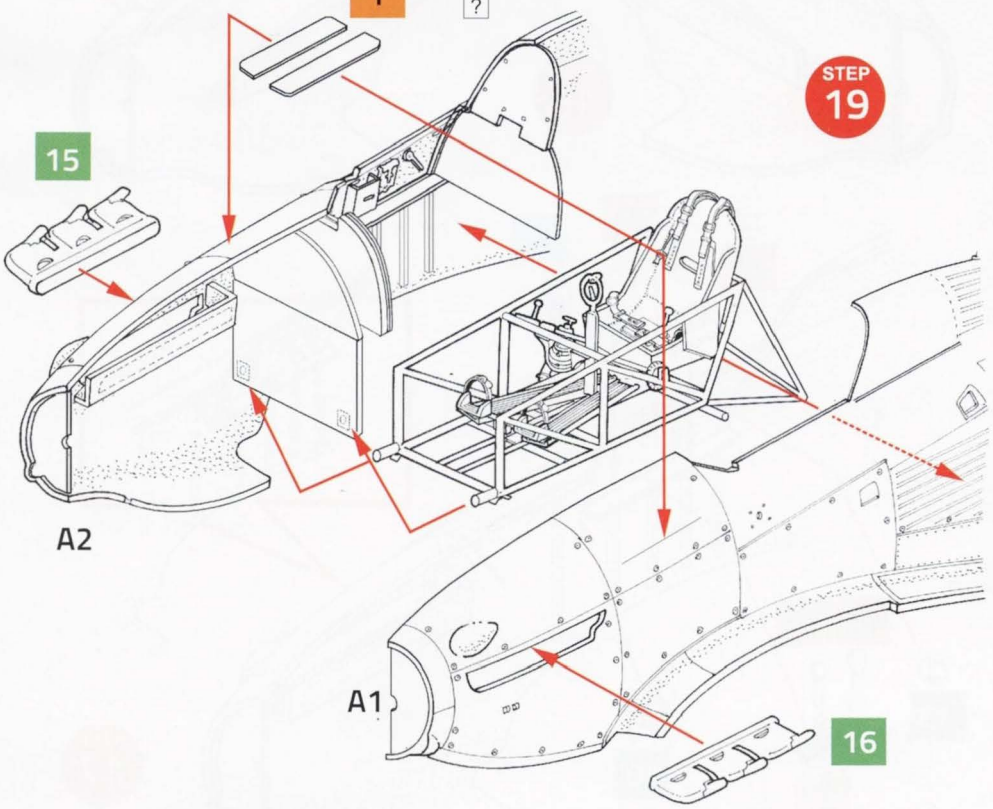
STEP 17

STEP 18



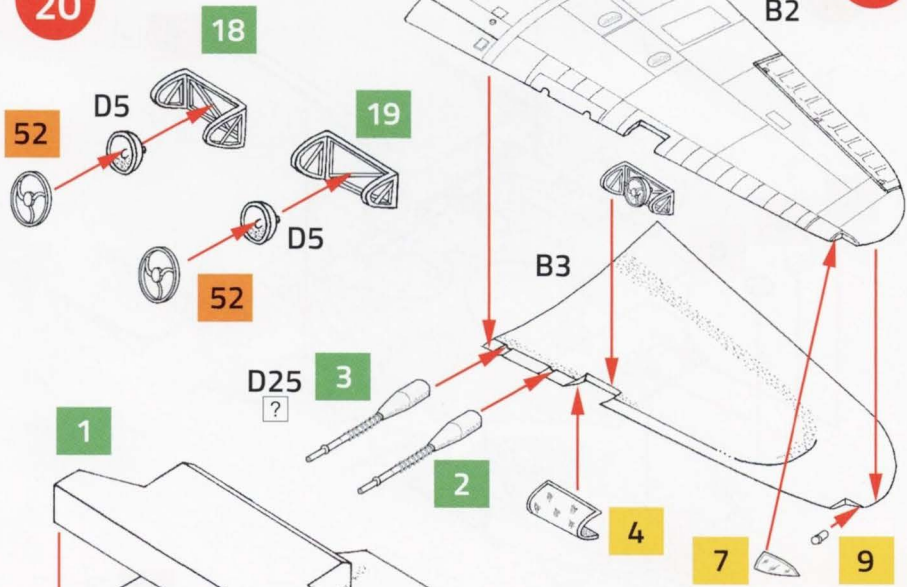
1 Only Nightfighter Version

STEP 19



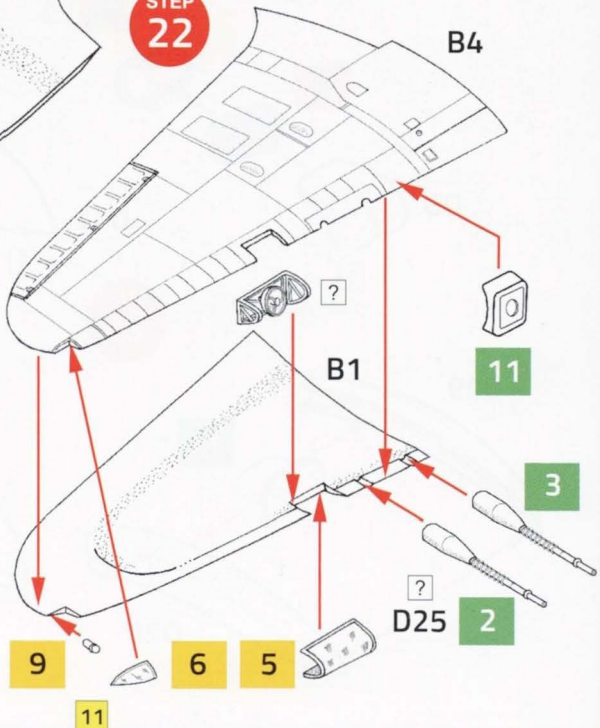
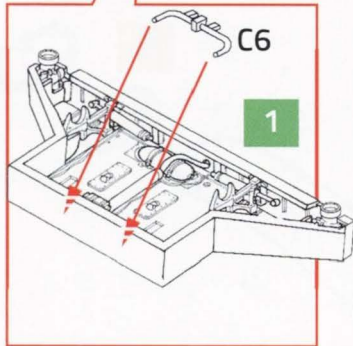
STEP
20

STEP
21

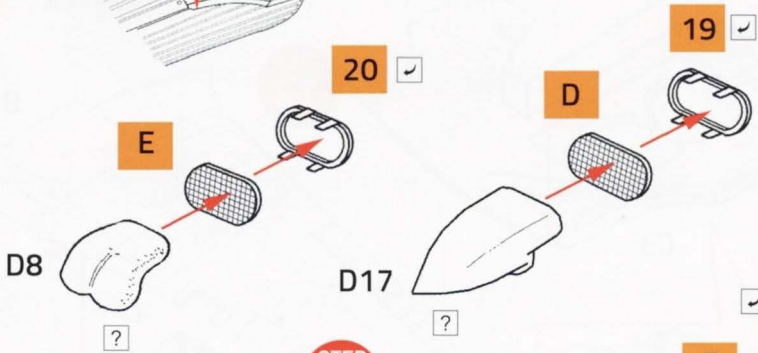
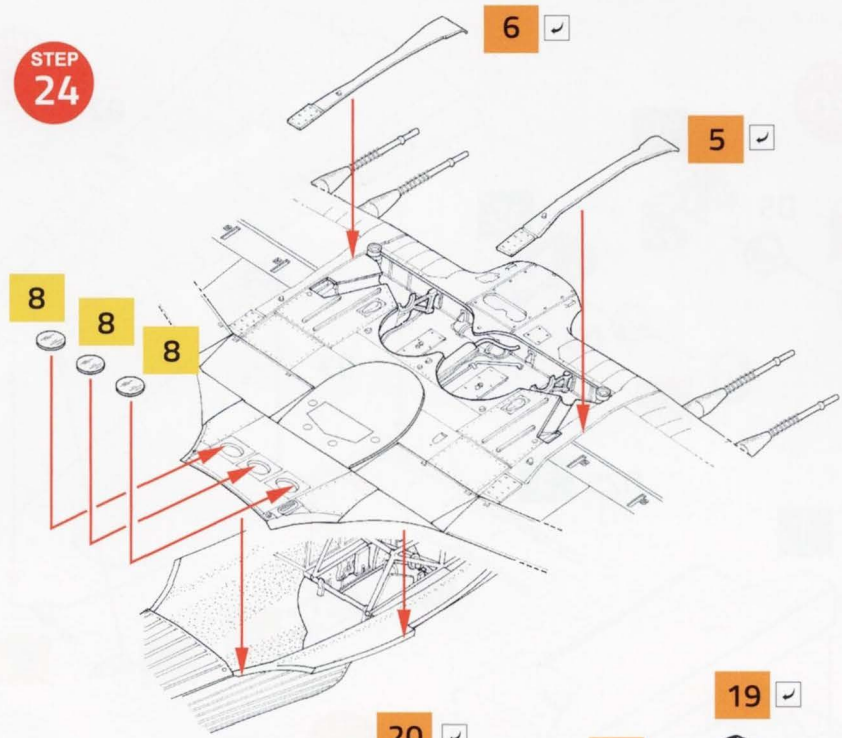


STEP
23

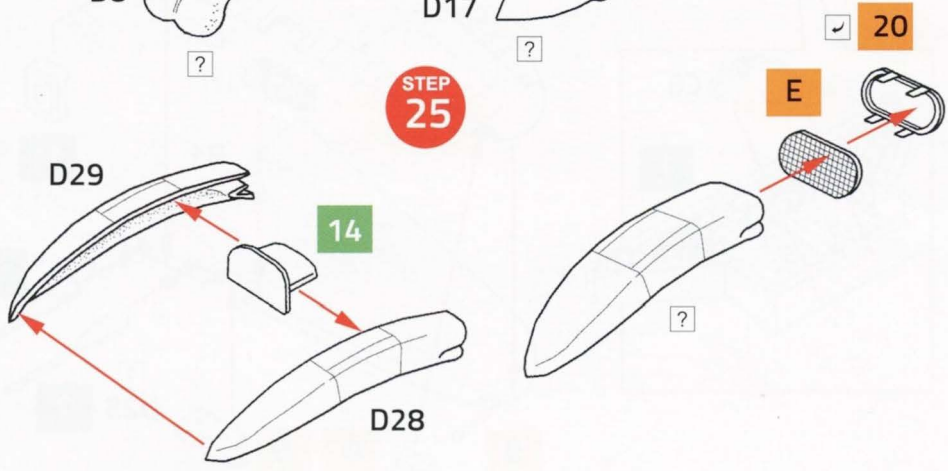
STEP
22



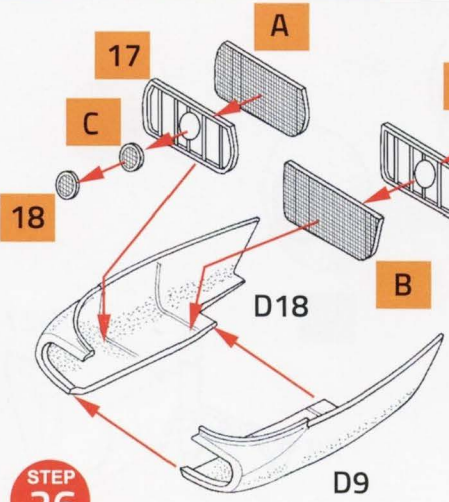
STEP 24



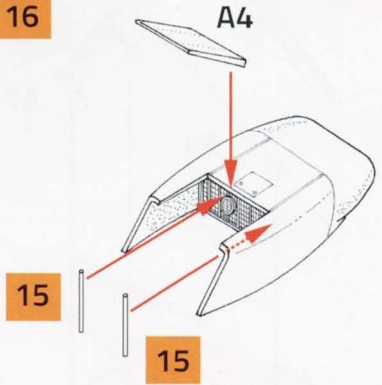
STEP 25



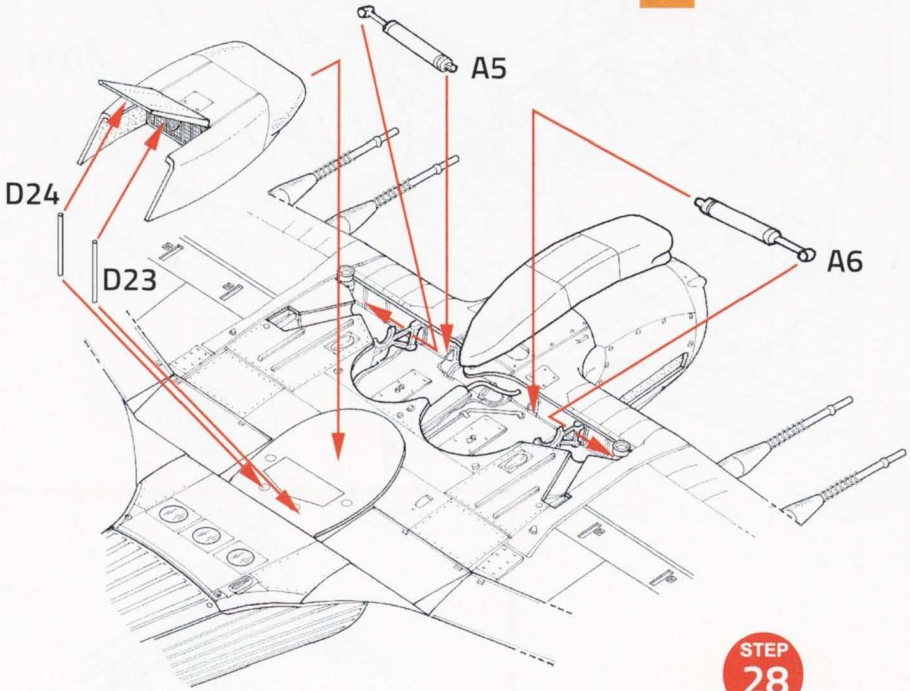
STEP 26



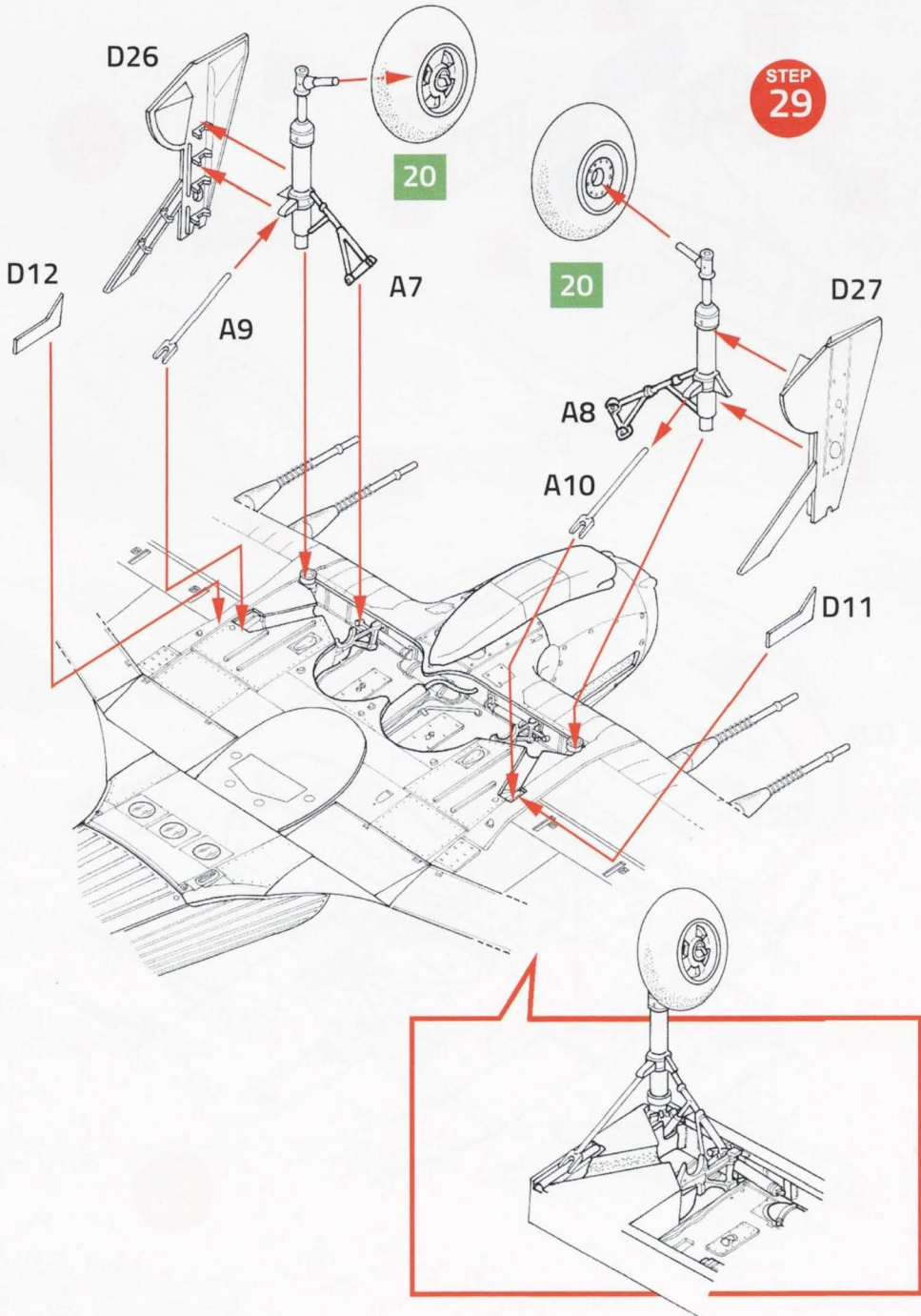
STEP 27



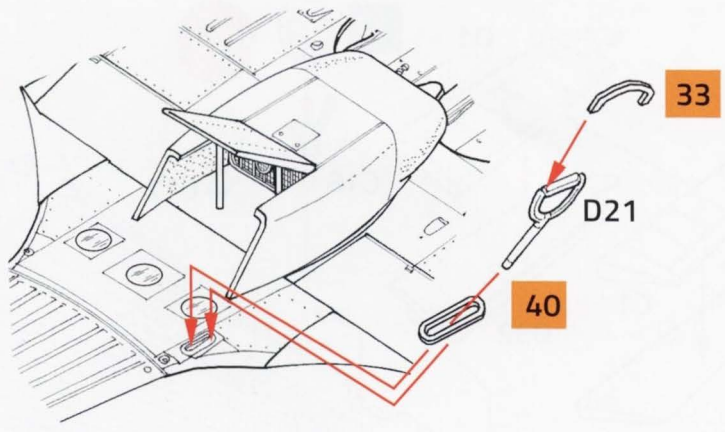
STEP 28



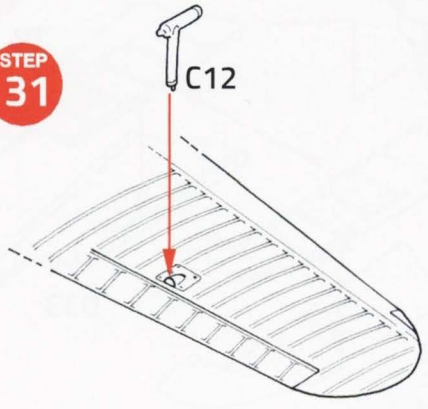
STEP
29



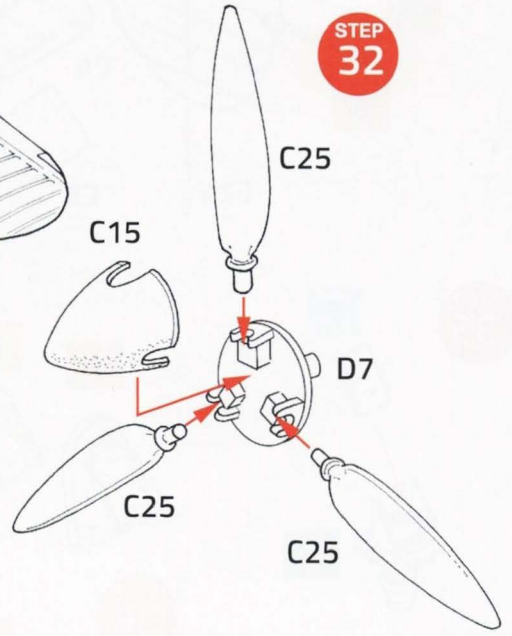
STEP
30

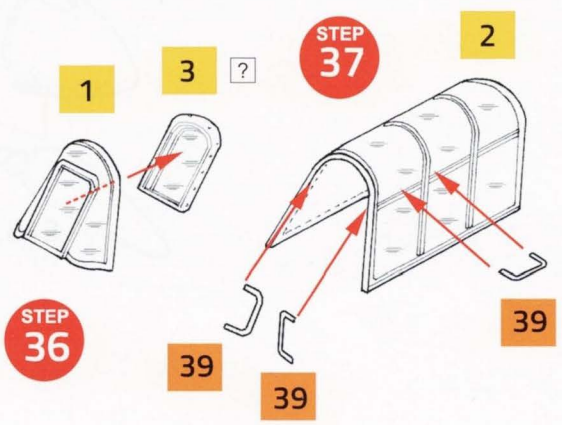
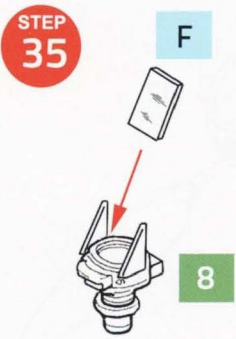
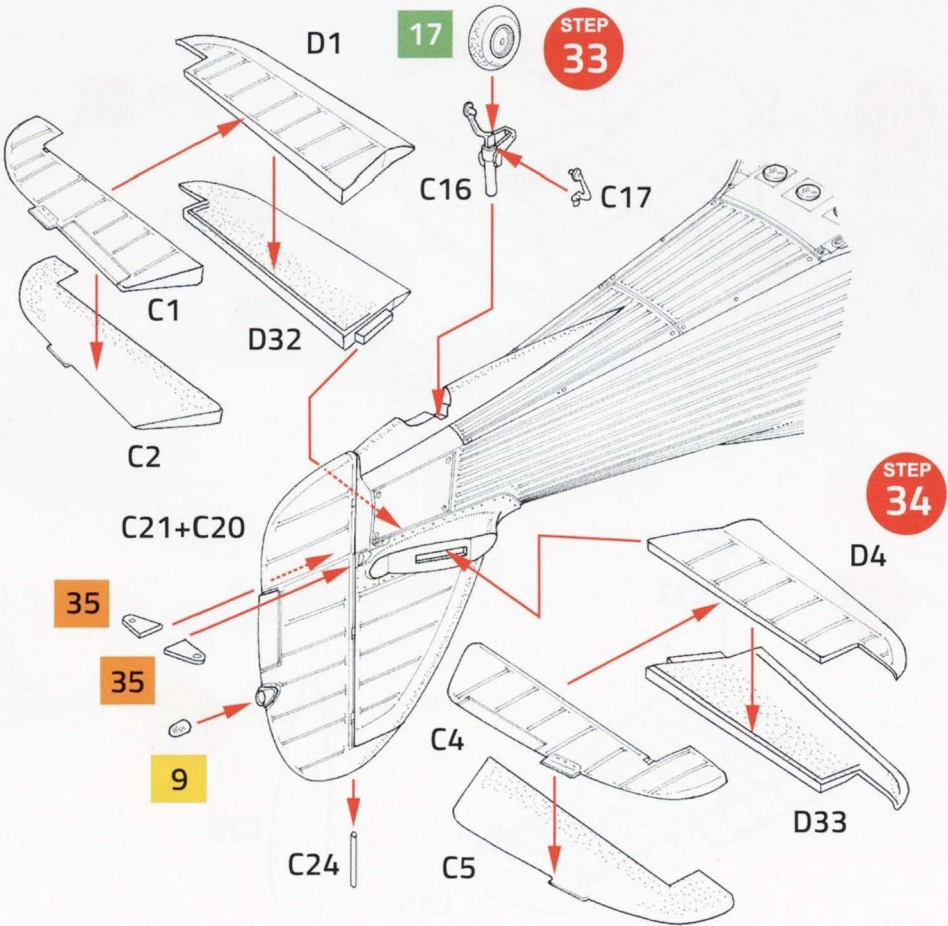


STEP
31

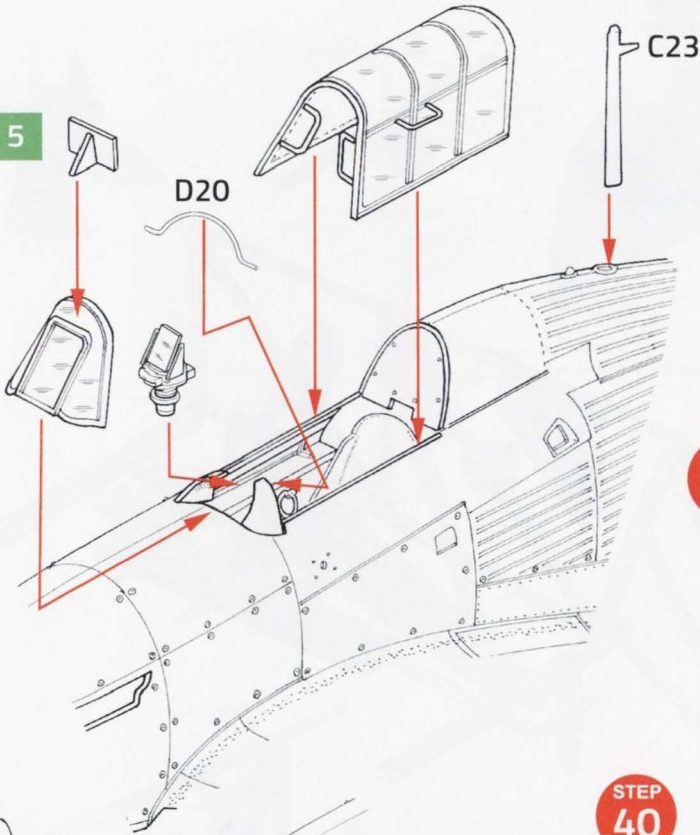


STEP
32

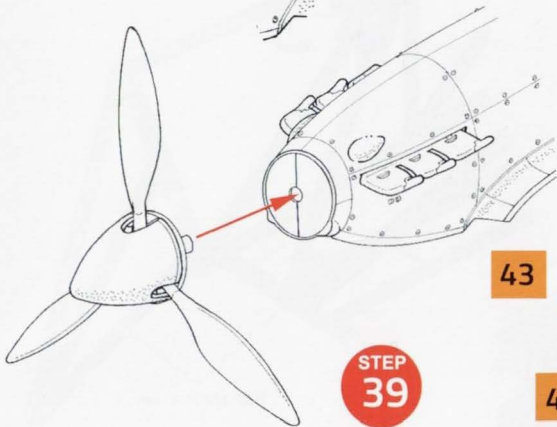




5



STEP
40

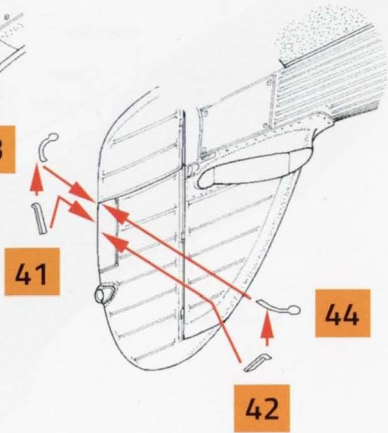


43

41

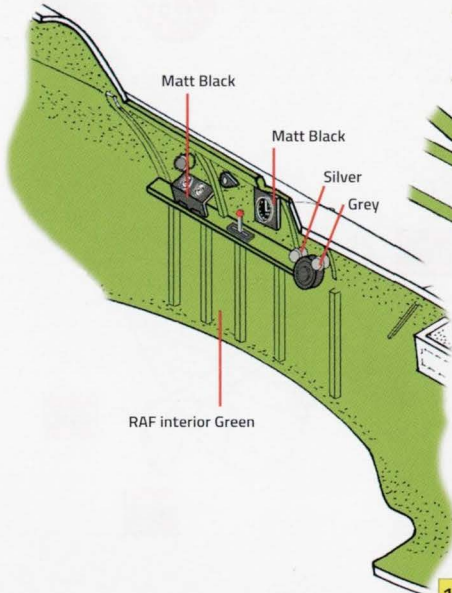
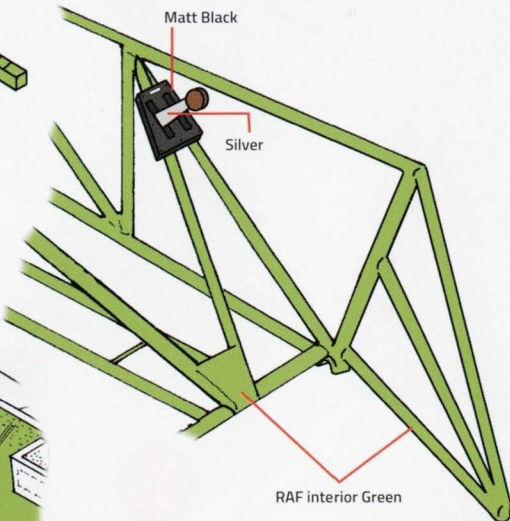
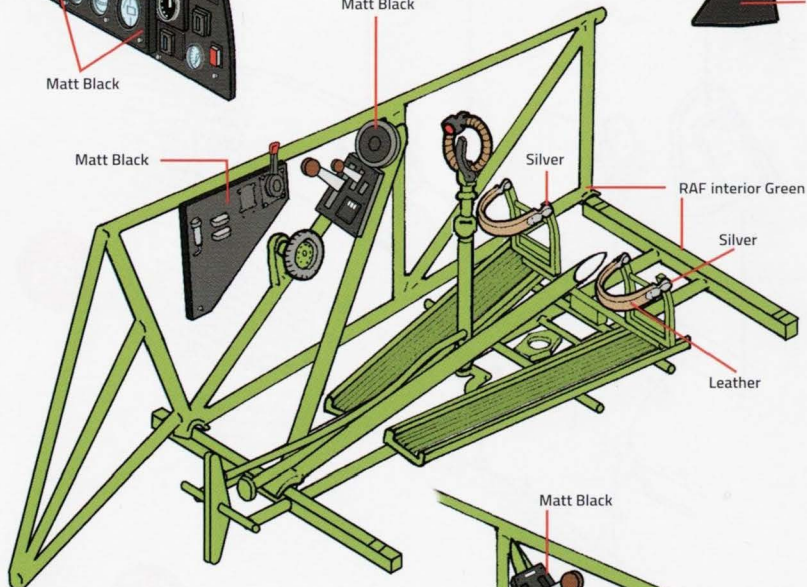
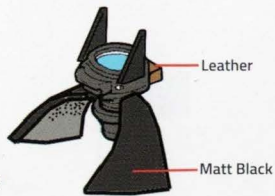
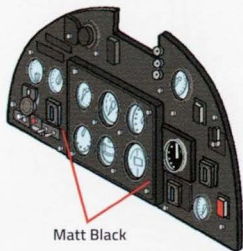
44

42



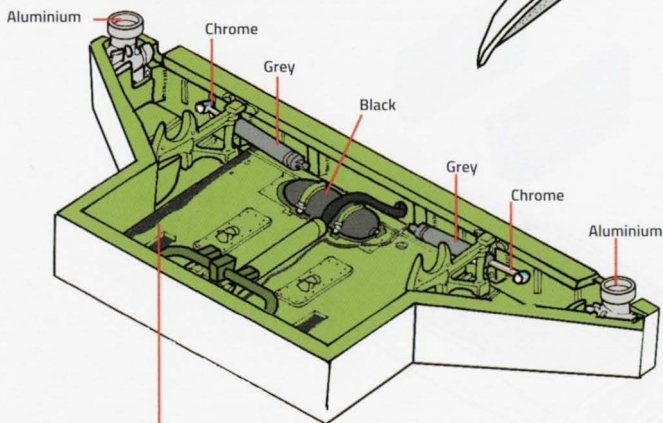
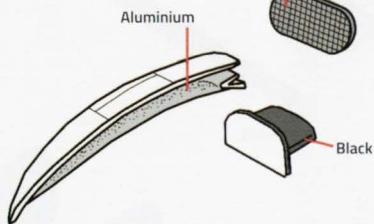
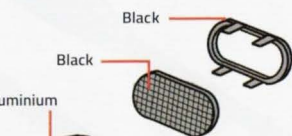
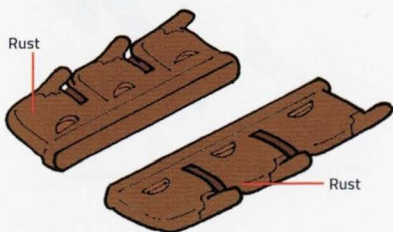
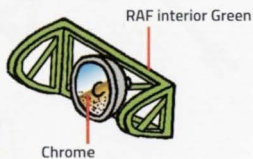
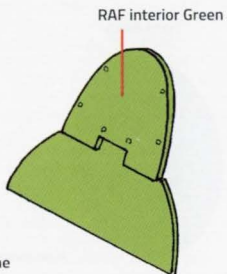
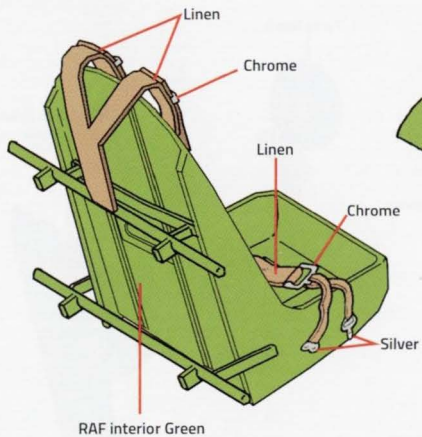


COLOR
BARVIT





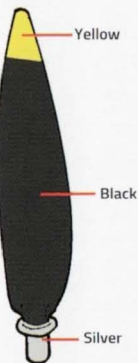
COLOR
BARVIT



RAF interior Green

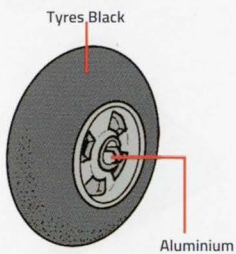
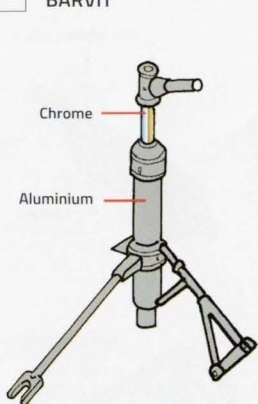
? OPTION
VOLBA

Aluminium





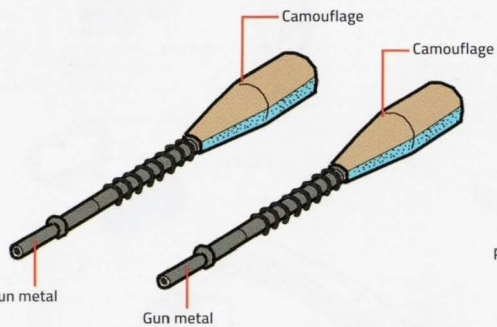
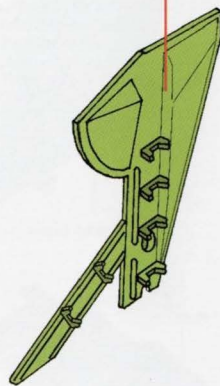
COLOR
BARVIT



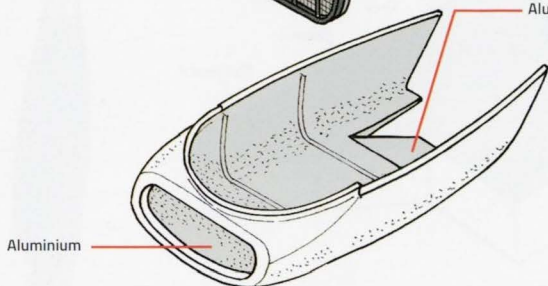
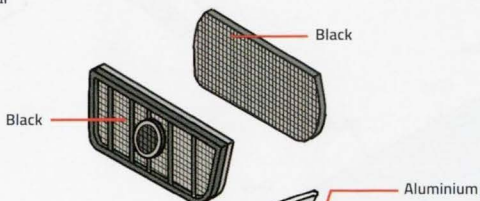
RAF interior Green

? OPTION VOLBA

Aluminium



RAF interior Green ? OPTION VOLBA Aluminium



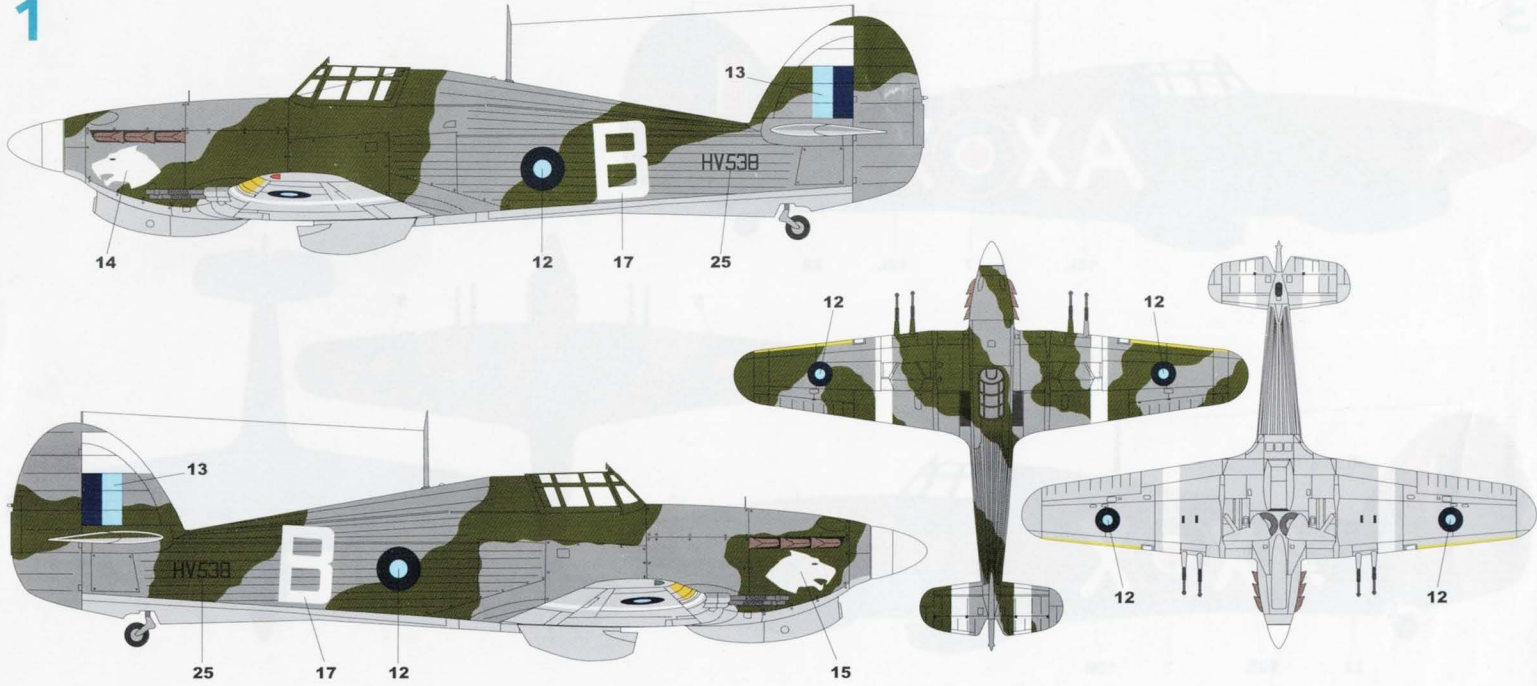
Humbrol	34	116	106	165	84	29	157	154
AK	715	2011	2014	2013	2016	2012	2017	2065

Hawker Hurricane Mk.IIc Trop

Fly
32013

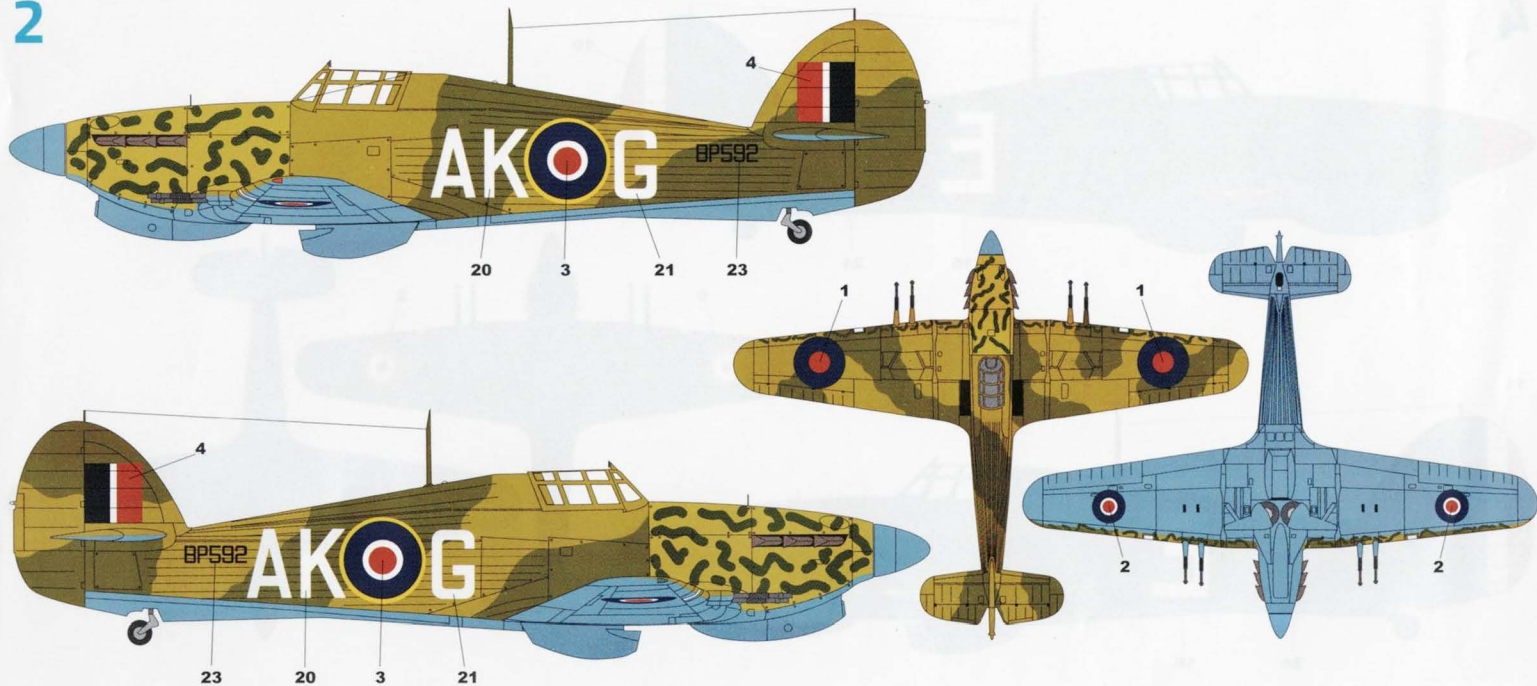
Hawker Hurricane Mk.IIc Trop - No. 1 Sqdn RIAF (Royal Indian Air Force) part of No.167 Wing RAF






1



Hawker Hurricane Mk.IIc Trop - No. 213 Sqdn RAF - North Africa 1942

2



Humbrol	84	29	157	60
				
	2016	2012	2017	740

Hawker Hurricane Mk.IIc Trop

Fly
32013

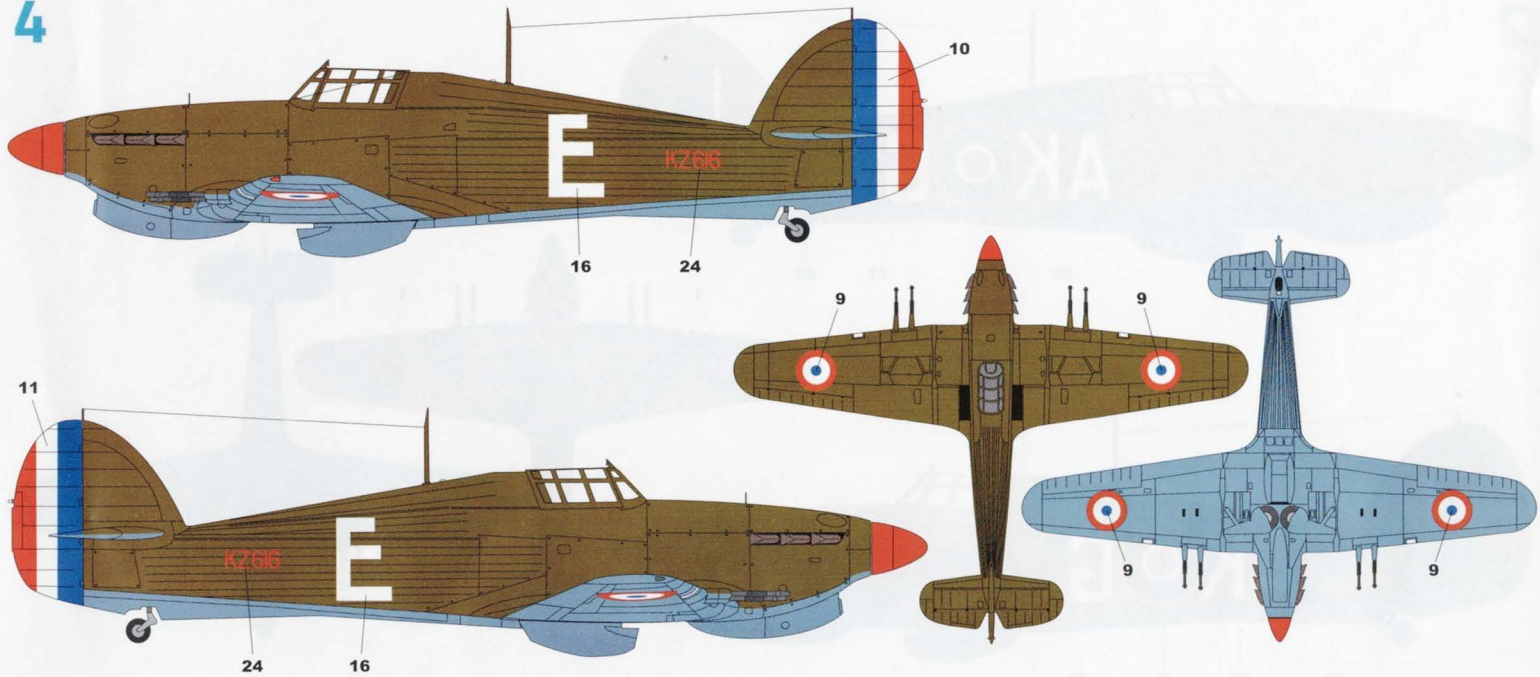
Hawker Hurricane Mk.IIc Trop - No. 1 Sqdn SAAF - pilot Cpt. J. H. Gaynor, North Africa 1942

3



Hawker Hurricane Mk.IIc Trop - Flying School Armée de l'Air, Marocco 1945 - 46

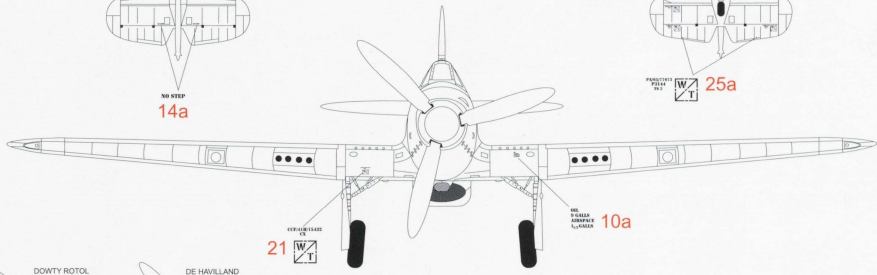
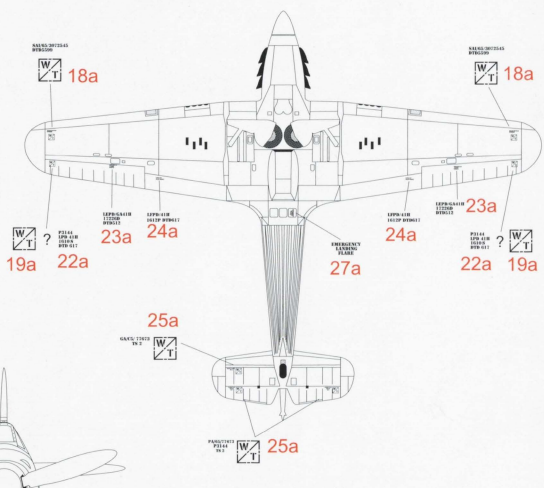
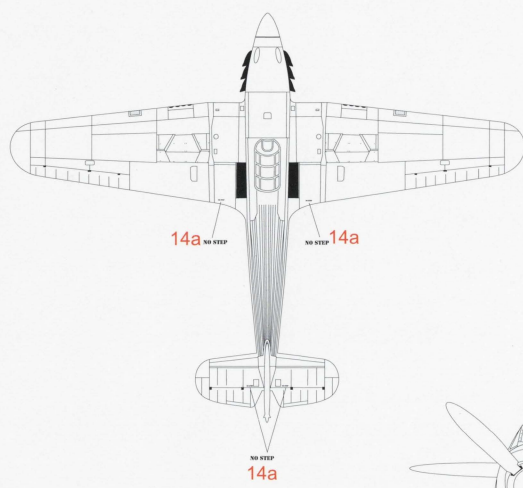
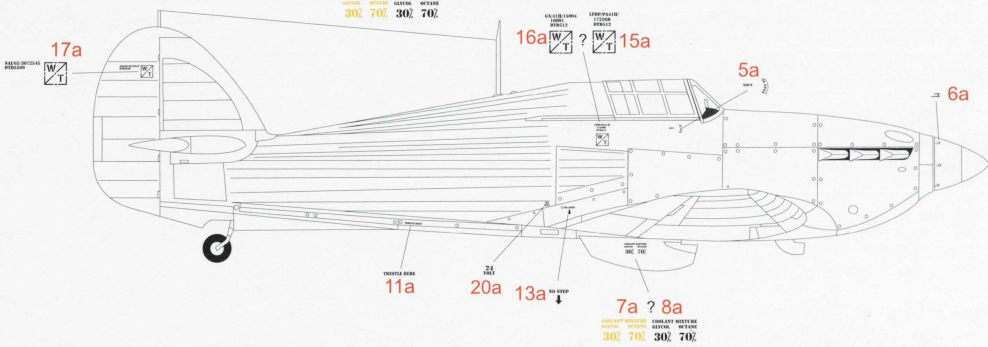
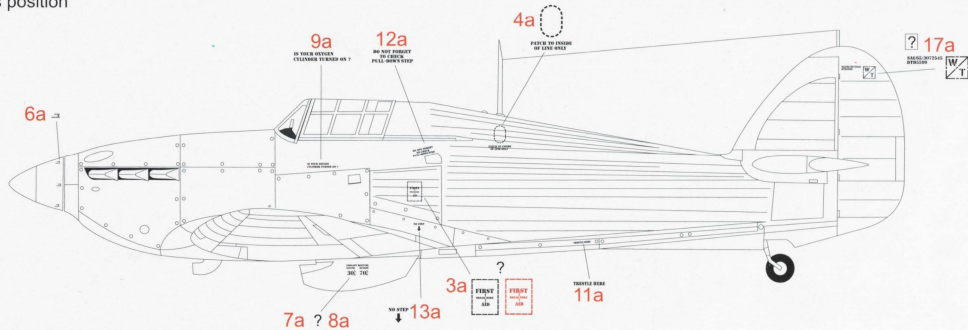
4

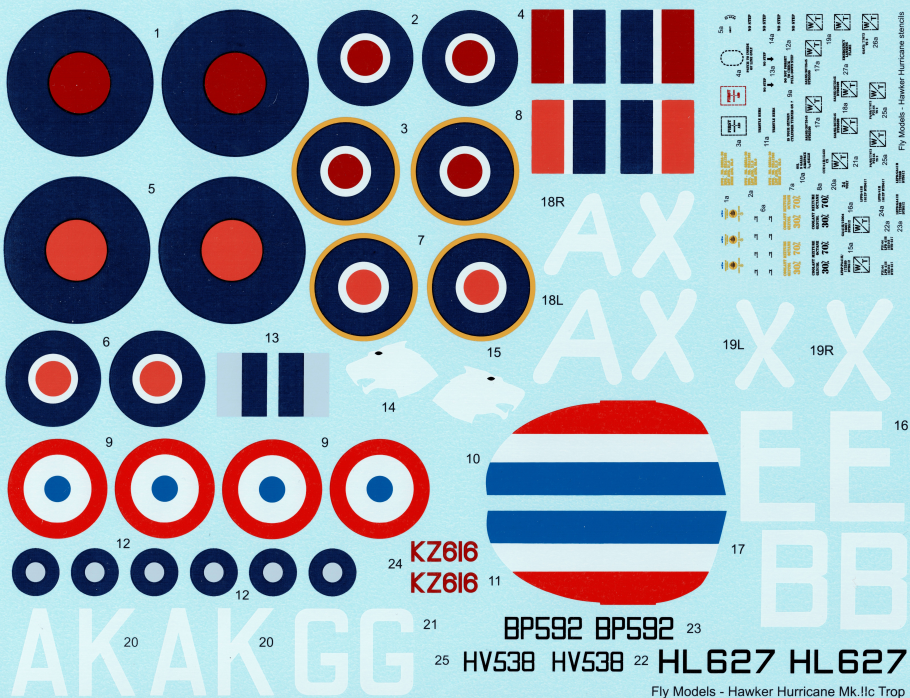


Hawker Hurricane Mk.II

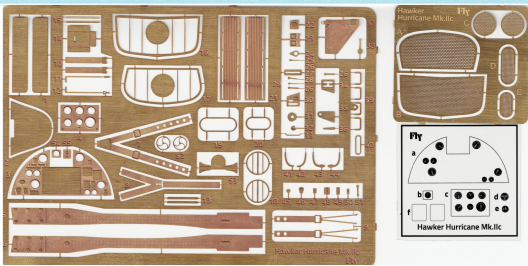
Stencils position

Fly





Fly Models - Hawker Hurricane stands



Fly Models - Hawker Hurricane Mk.IIc Trop