

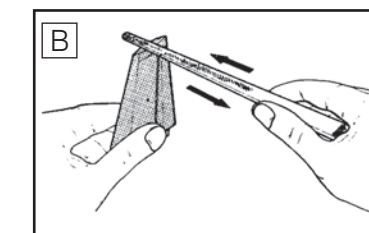
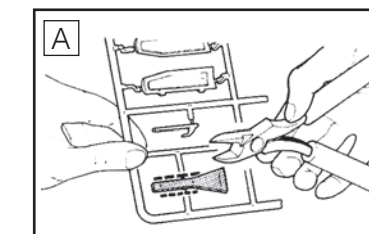
F-16A[®] FIGHTING FALCON[®]

1/48 SCALE



PLEASE NOTE

Before starting to assemble the model, carefully examine the various assembly steps indicated in the directions. A) Carefully remove the parts from the sprues using a sharp hobby knife or wire cutters. B) Eliminate any burrs, check the fit of each piece before cementing in place. Before assembly, paint any internal parts of the model or parts which are difficult to get at once assembly has been made. Always follow the assembly order indicated on the sheet and, in the case of alternative parts which make it possible to obtain different versions, always choose the version you prefer before assembly.



PAINT COLORS

A LIGHT GRAY	B OLIVE DRAB	C DARK GRAY	D FLAT BLACK
E GLOSS WHITE	F SILVER FOX	G BRIGHT RED	H FRENCH BLUE
J U.S. MEDIUM GRAY	K GUN METAL	L LIGHT COMPASS GHOST GRAY	M MEDIUM GRAY
N SEA GRAY	P BLACK	R YELLOW	S TAN

BE SURE TO LOOK FOR THESE OTHER GREAT **MILITARY MODEL KITS:**



AMT802 F-14A TOMCAT™



AMT779 F-18A HORNET

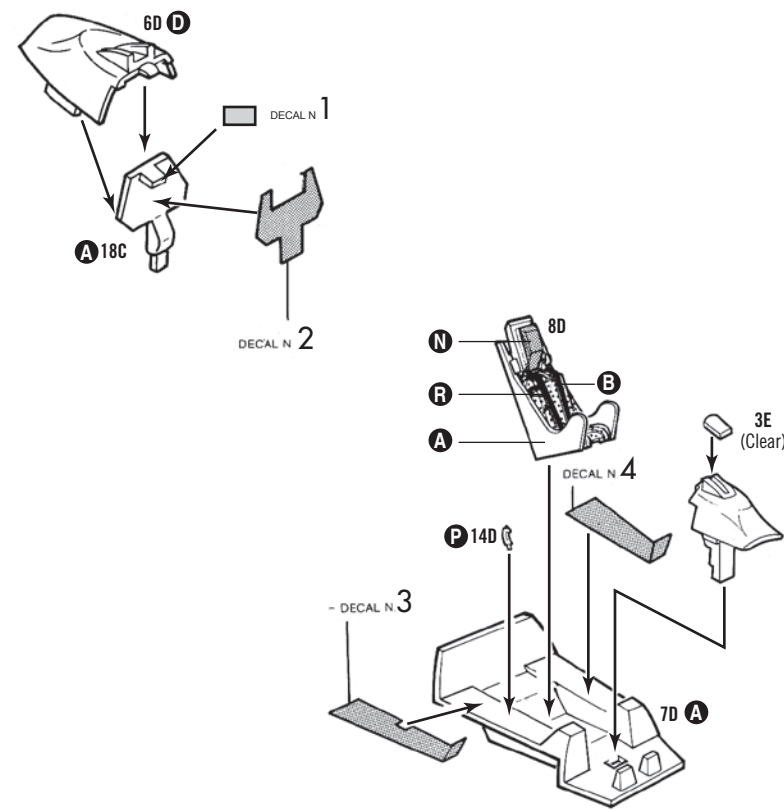


MPC785 WWII JEEP

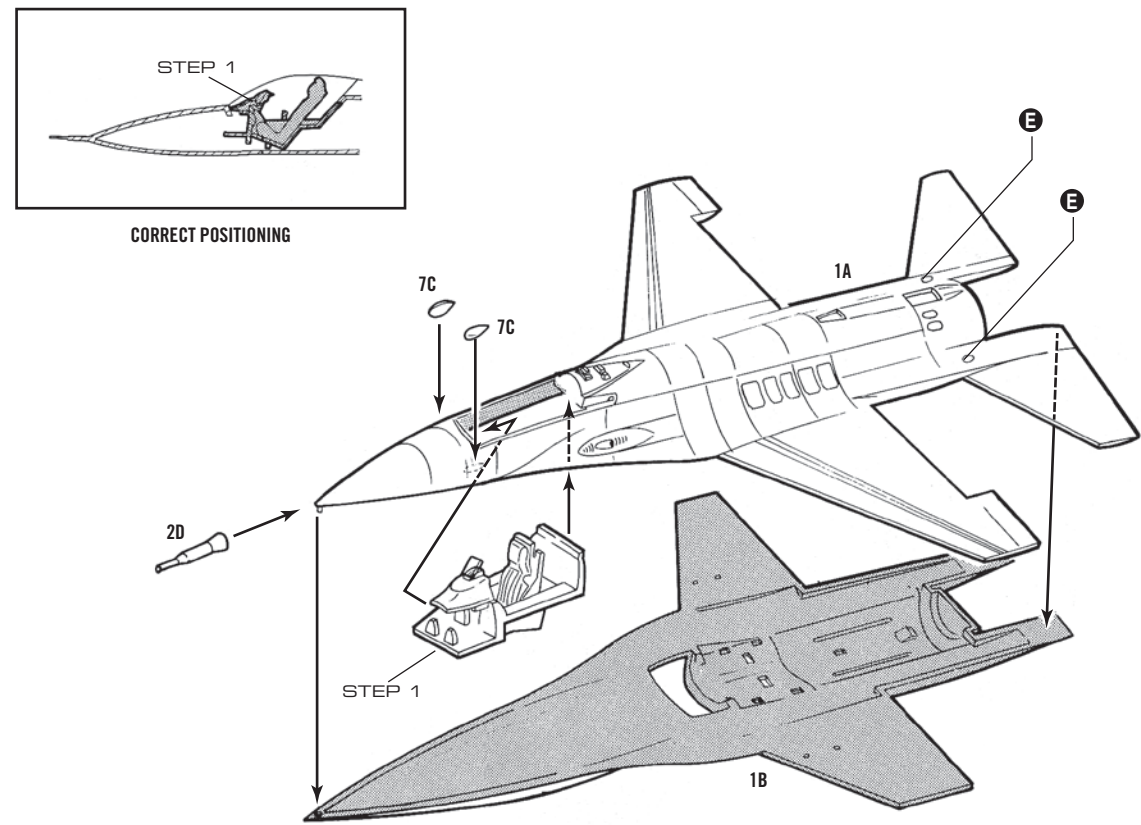
For more information, visit: round2models.com
visit our blog at: collectormodel.com

LOCKHEED MARTIN F-16A FIGHTING FALCON, associated emblems and logos, and body designs of vehicles are either registered trademarks or trademarks of Lockheed Martin Corporation in the USA and/or other jurisdictions, used under license by Round 2, LLC. F-14 Tomcat™ is a trademark of Northrop Grumman Systems and is used under license to Round 2, LLC. Produced under license. Boeing, McDonnell Douglas, North American Aviation, F-18A Hornet their distinctive logos, product markings and trade dress are trademarks of The Boeing Company. AMT and design is a registered trademark of Round 2, LLC. ©2013 Round 2, LLC, South Bend, IN 46628 USA. Product and packaging designed in the USA. Made in China. All rights reserved.

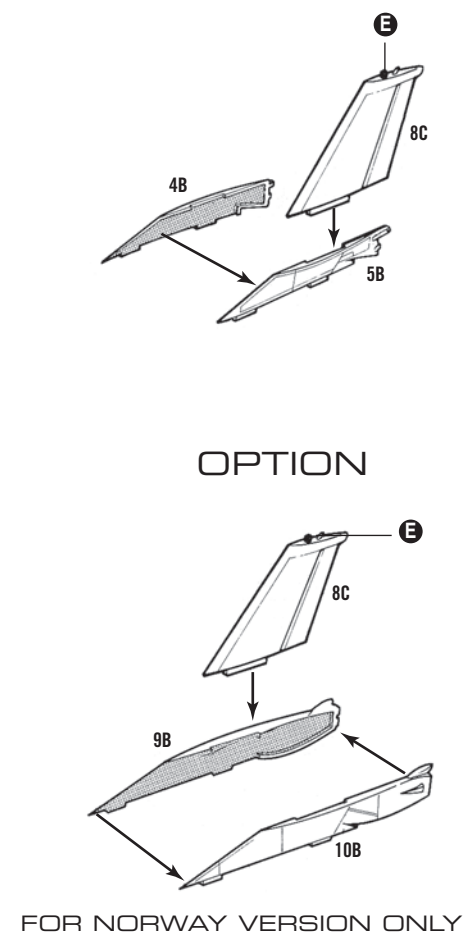
1



2

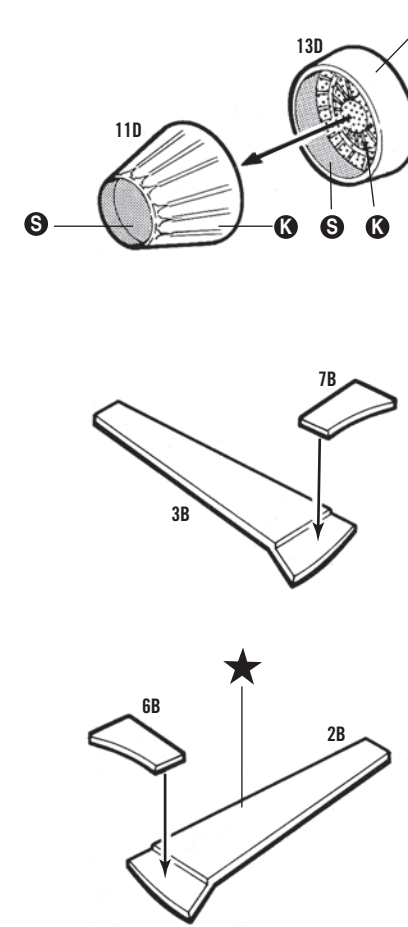


3

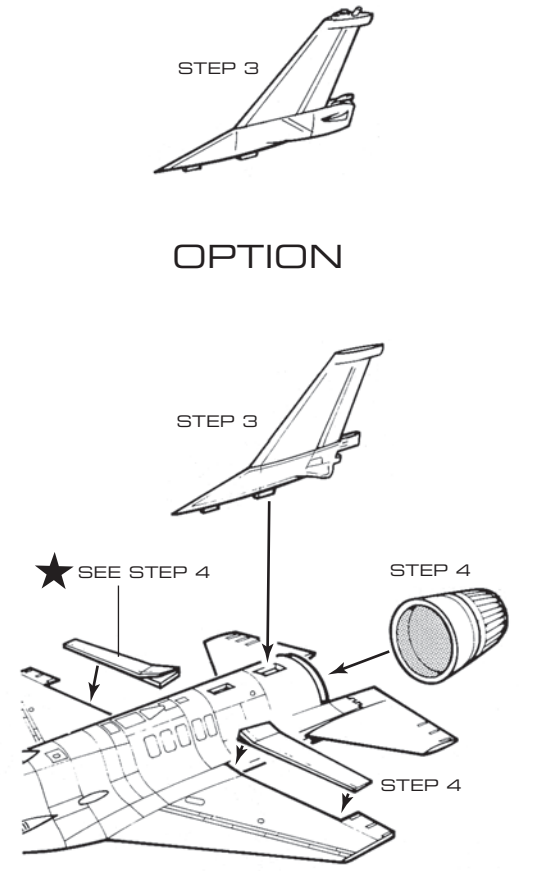


FOR NORWAY VERSION ONLY

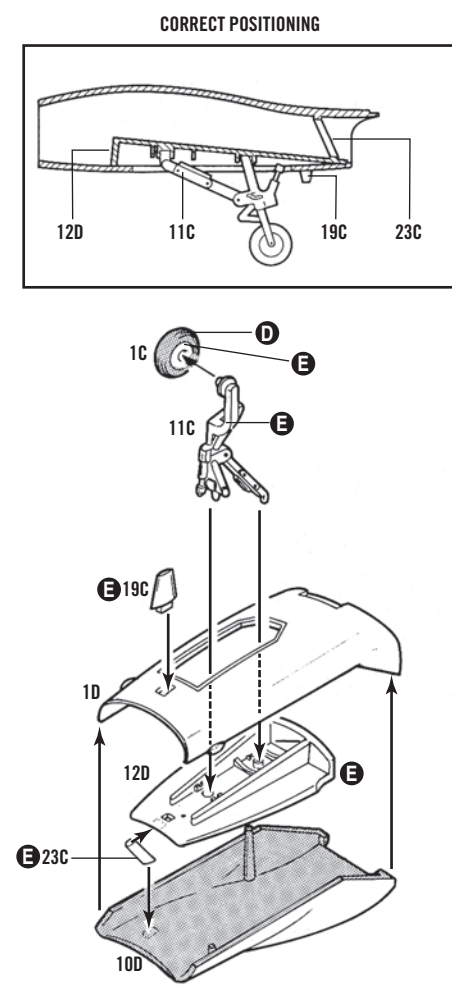
4



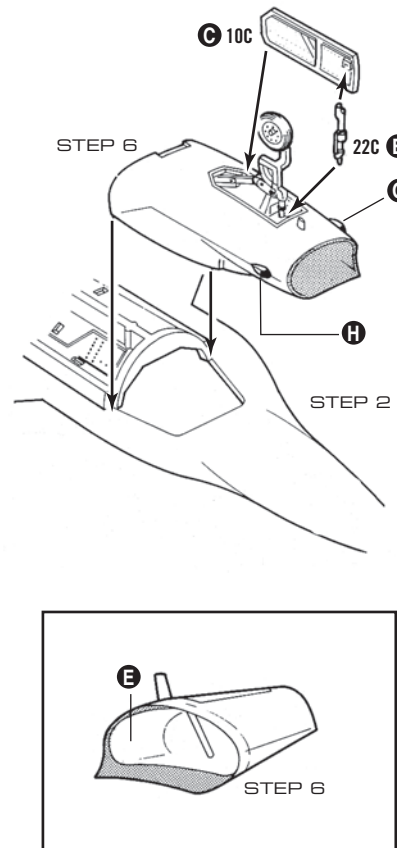
5



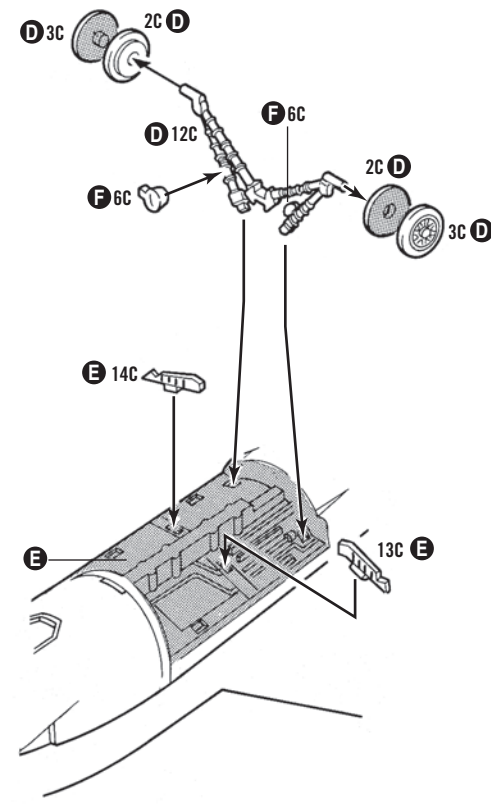
6



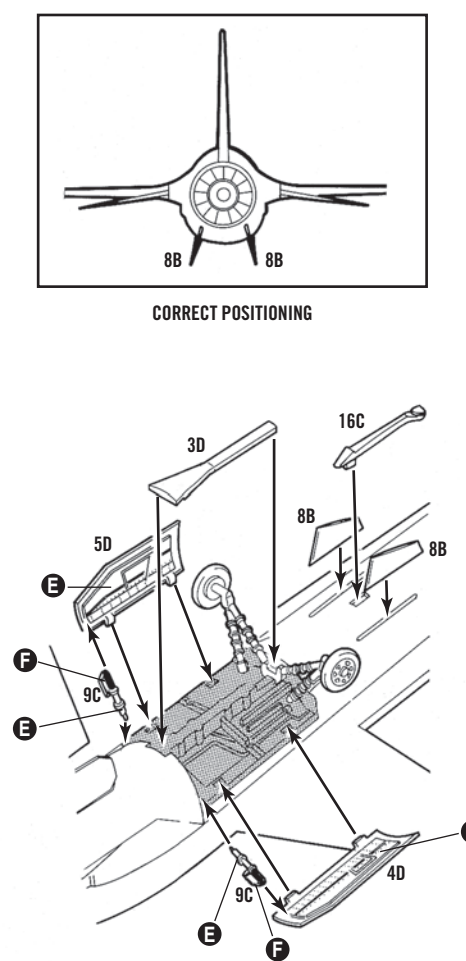
7



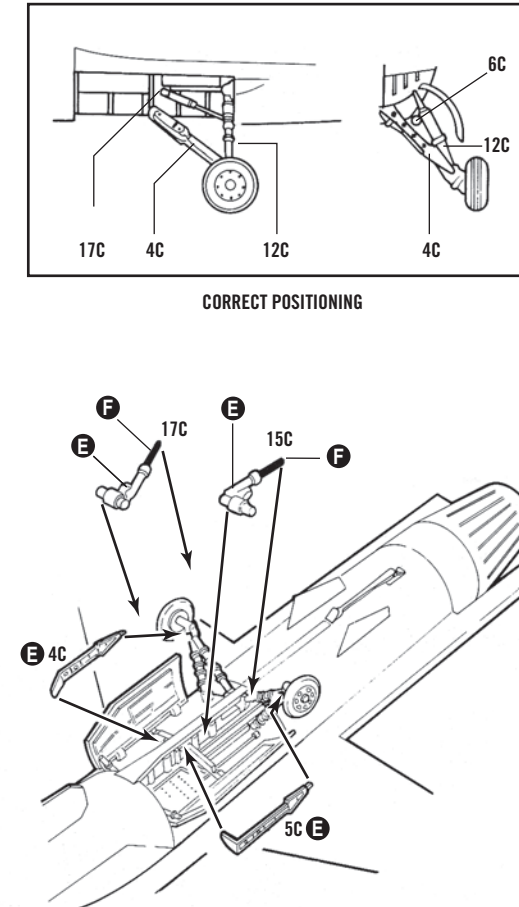
8



9



10



11

