

1:72 SCALE

Hawker Typhoon Mk.IB



EASY ASSEMBLY AUTHENTIC KIT



cyanoacrylate glue
强力胶



weight
配重



make hole
钻孔



cut / remove
切除



option
选择



no cement
不涂胶水



decal
贴纸



bend
弯曲

The way to apply the decals

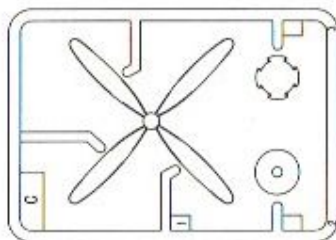
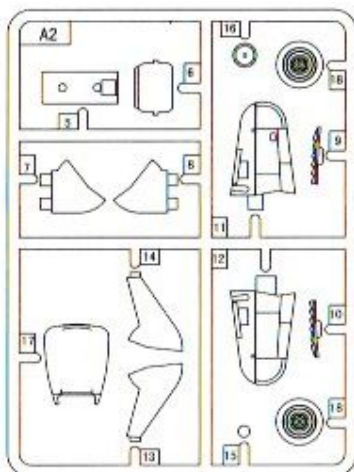
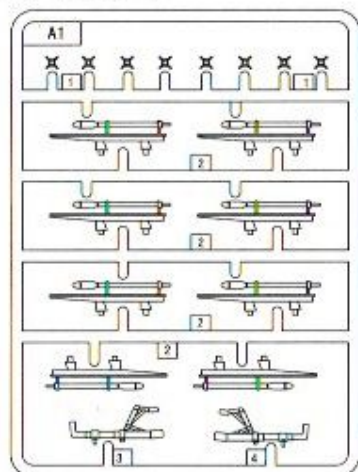
1. Cut off the decal from the decal paper and put it into the warm water 40°C for 10 seconds.
2. Take the decal from the water and put it on a piece of clean cloth.
3. Remove the decal slowly from the paper to the targeted location by a wet finger.
4. Use a piece of dry and soft cloth to press it gently on the decal until it getting dry and no bubble existing.

水贴纸的使用方法:

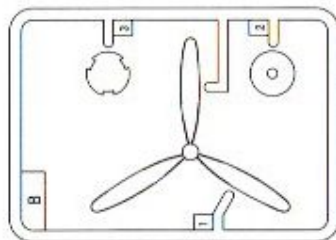
- 一. 把相关的印花从水贴上剪下, 放入40°C左右的温水中浸10秒.
- 二. 然后将印花放在干净的布上.
- 三. 拿上印花纸, 手指蘸水将印花移到适当的位置.
- 四. 用软干布轻压印花直至水干, 气泡消失.

80232

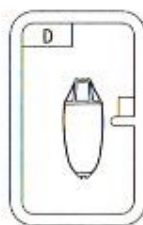
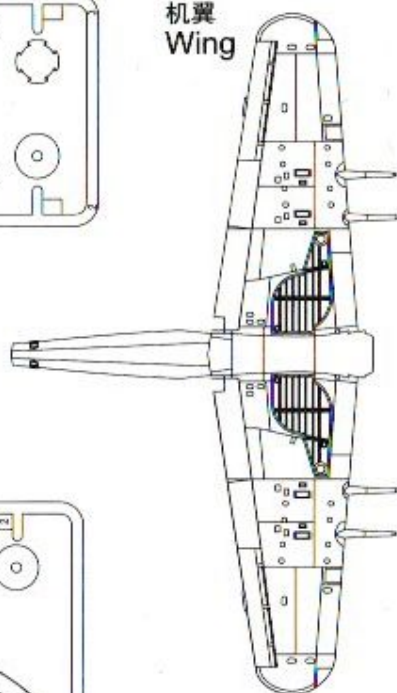
部品图 Parts



水贴纸
Decal



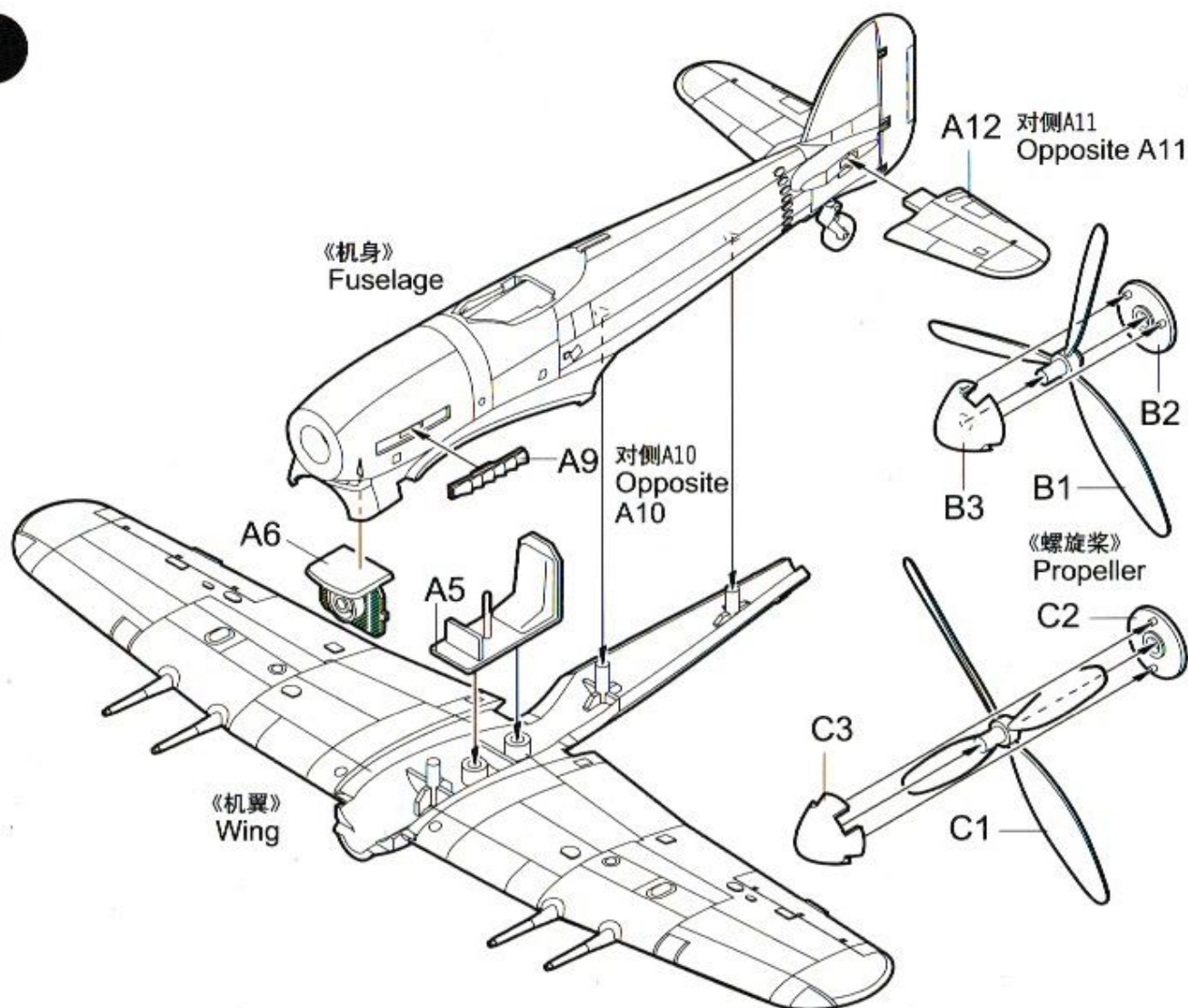
机翼
Wing



铁轴
Shaft

机身
Fuselage

1



2

《左侧起落架》
Left undercarriage

《右侧起落架》
Right undercarriage

对侧A8
Opposite A8
A7

A2+A1

A14

A3

A18

《右侧起落架》
Right undercarriage

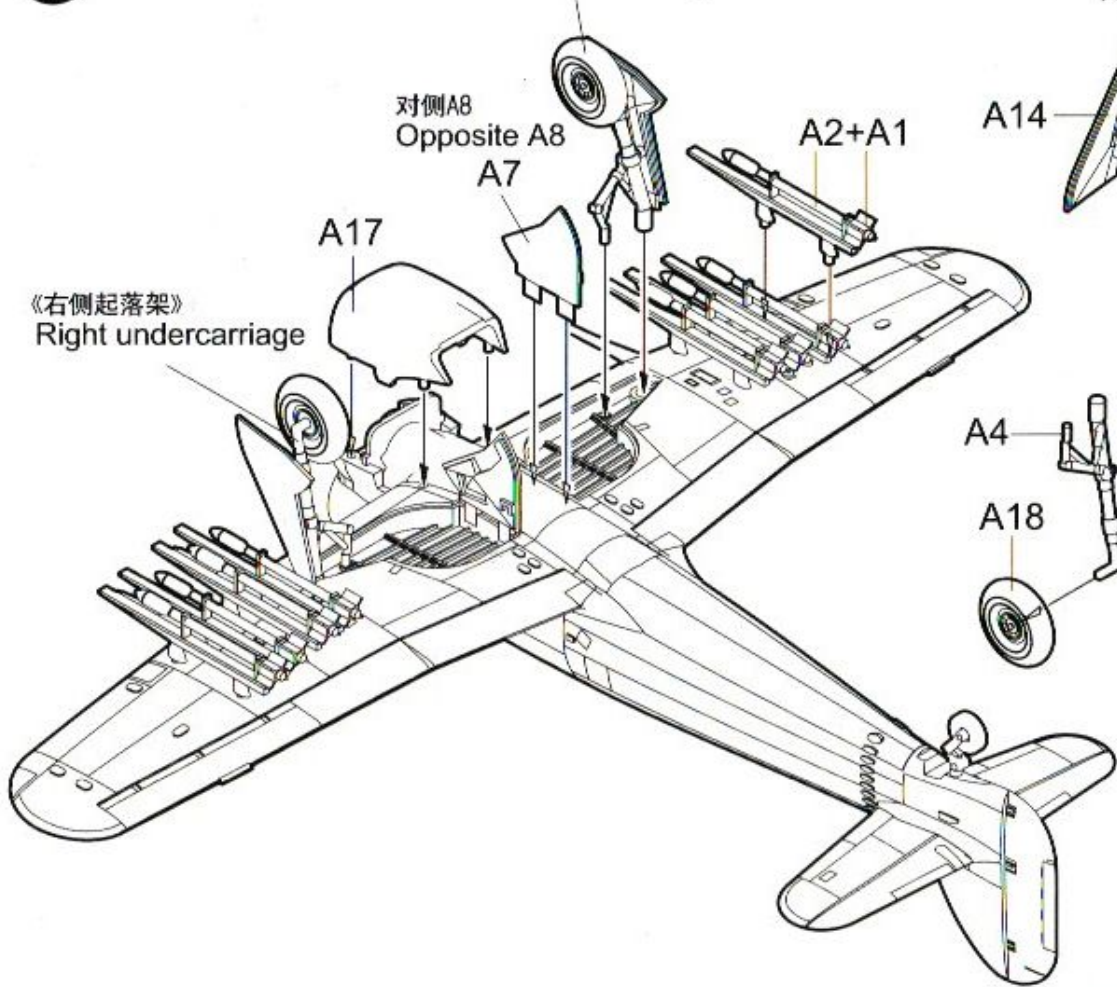
A17

A4

A13

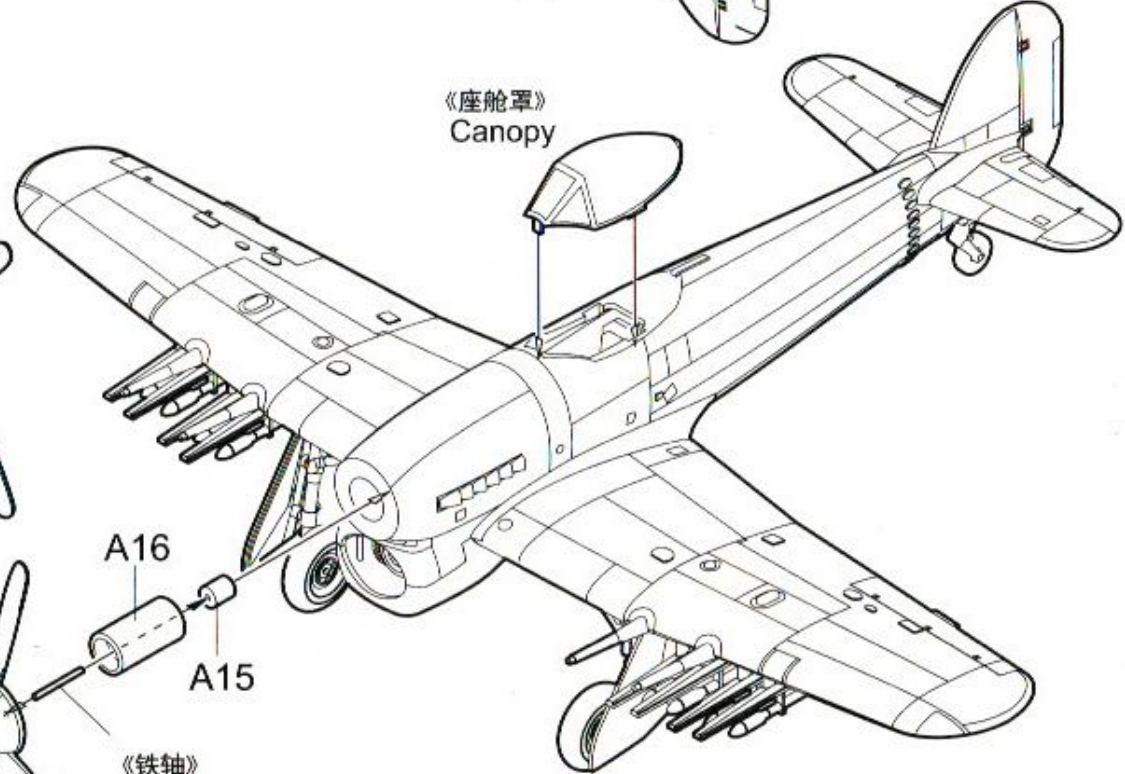
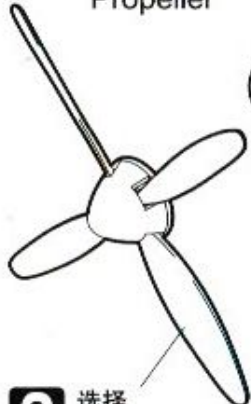
A18

《左侧起落架》
Left undercarriage



《螺旋桨》
Propeller

《座舱罩》
Canopy



? 选择
Option



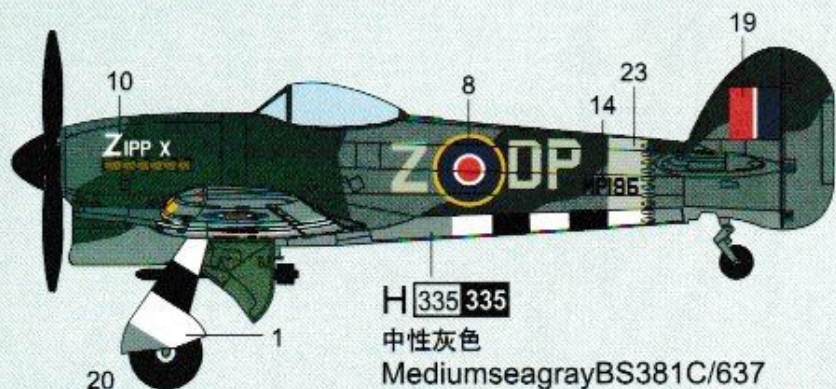
《螺旋桨》
Propeller

A16

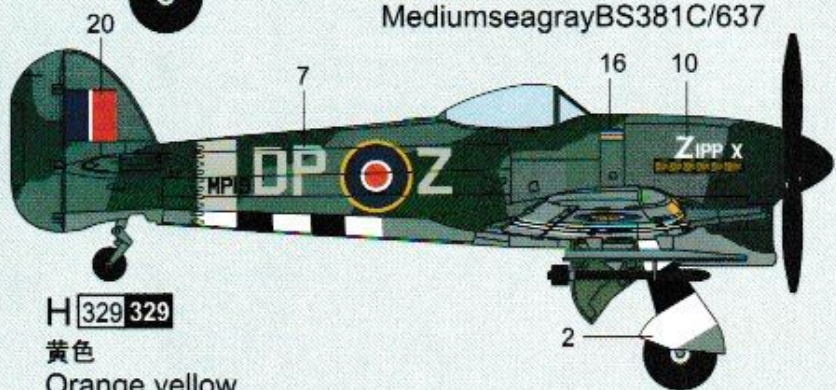
A15

《铁轴》
Shaft

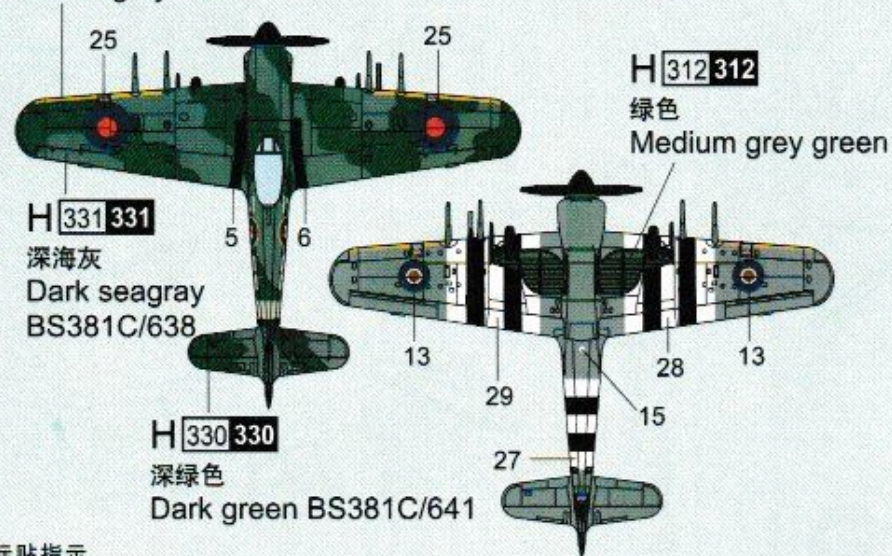
"DP-Z" of Niā193 Squadron, August 1944



H 335 335
中性灰色
Mediumseagray BS381C/637



H 329 329
黄色
Orange yellow

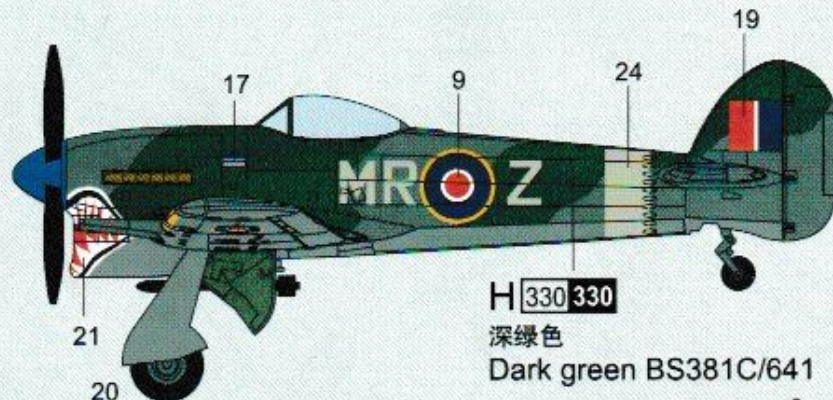


H 312 312
绿色
Medium grey green

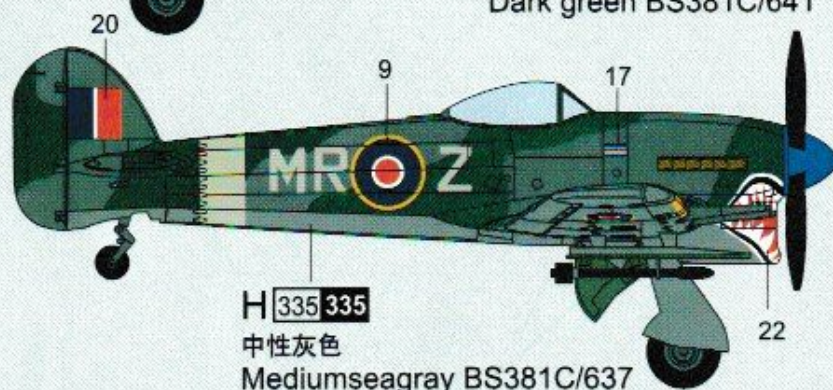
H 331 331
深海灰
Dark seagray
BS381C/638

H 330 330
深绿色
Dark green BS381C/641

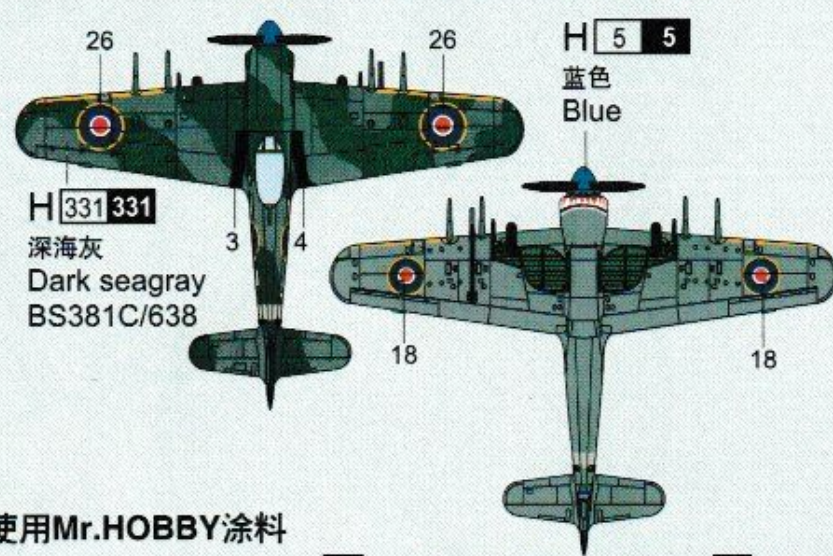
Hawker Typhoon Mk.IB of 245th Squadron "S/L A". Zweighbergh, April 1945



H 330 330
深绿色
Dark green BS381C/641



H 335 335
中性灰色
Mediumseagray BS381C/637



H 5 5
蓝色
Blue

H 331 331
深海灰
Dark seagray
BS381C/638

涂装同标贴指示
Painting & Marking guide

使用Mr.HOBBY涂料
Mr. Color used

8 AQUEOUS HOBBY COLOUR

8 MR.COLOUR

※ Some paints may not be available in your country. Please check your local hobby shop for substitute