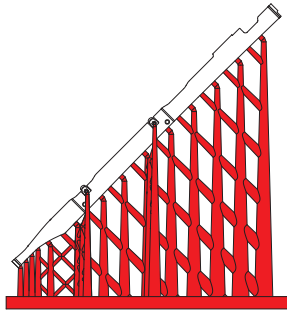
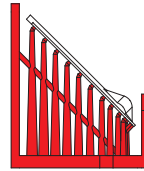


CUT

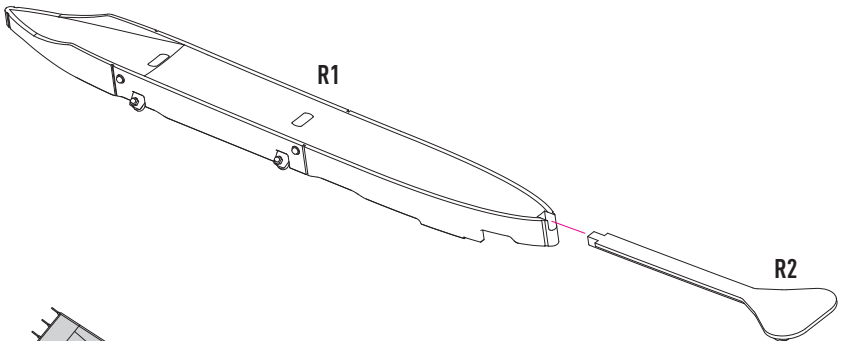


R1

USE A SAW TO REMOVE SUPPORTS
FROM 3D PRINTED PARTS

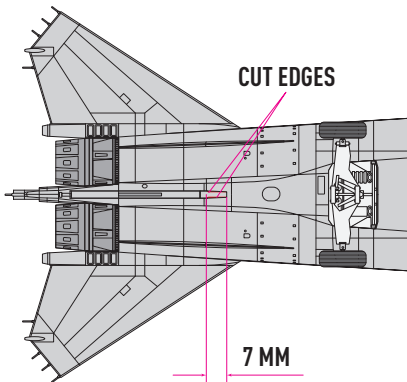


R2



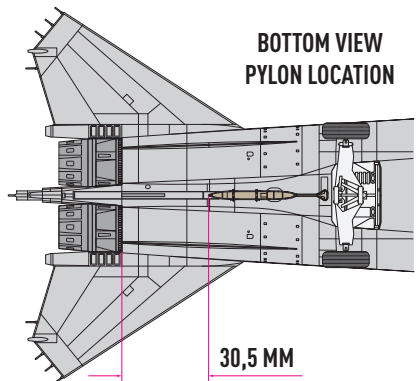
R1

R2



CUT EDGES

7 MM



BOTTOM VIEW
PYLON LOCATION

30,5 MM