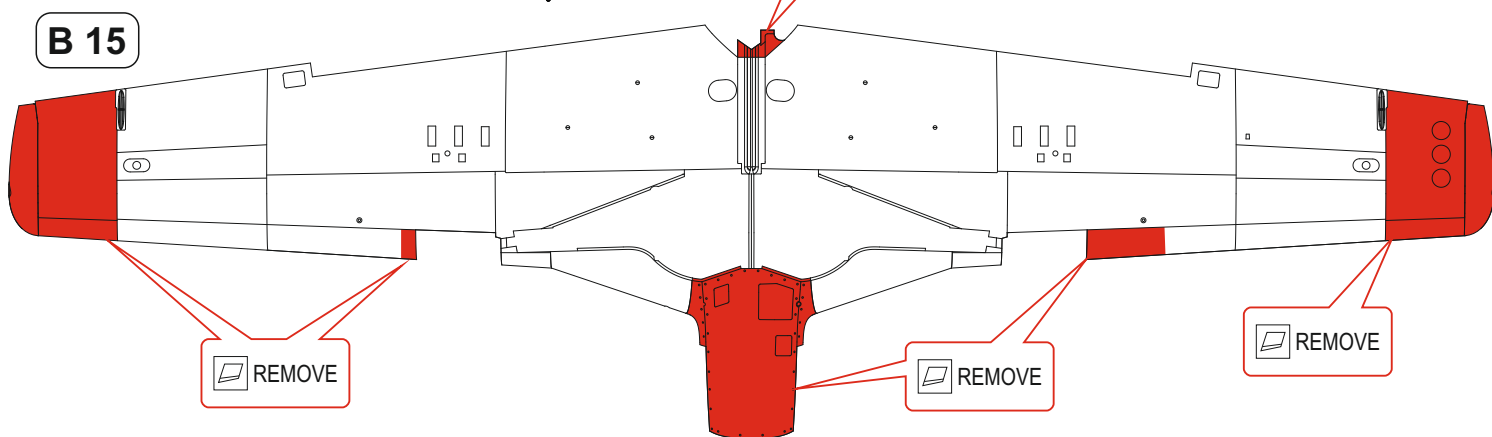
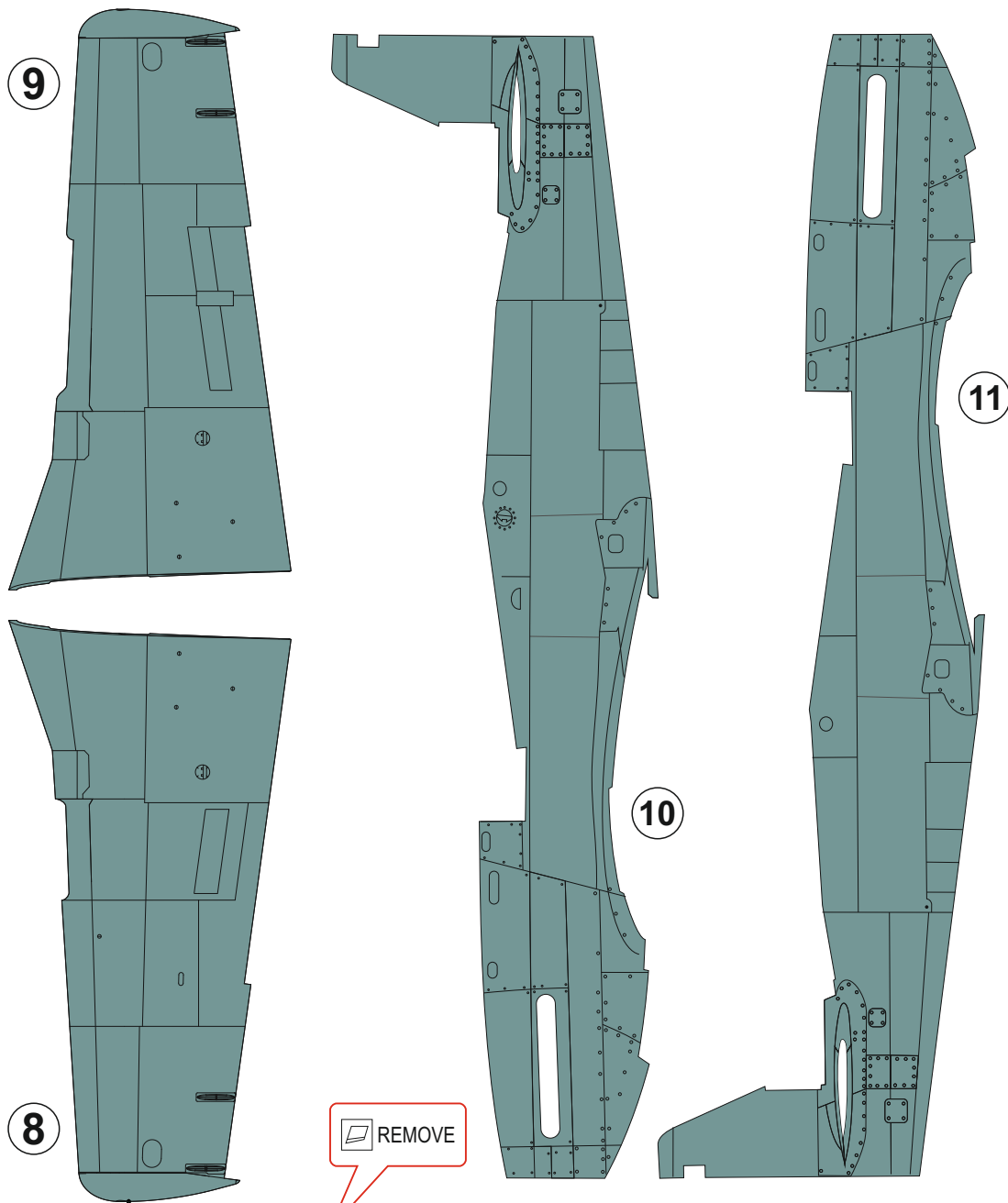
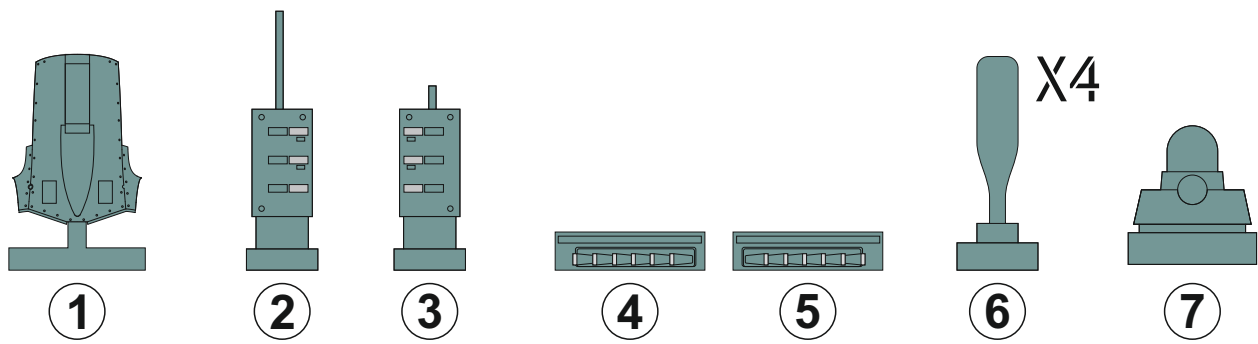
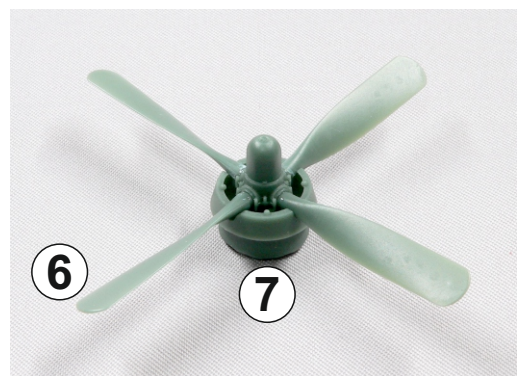
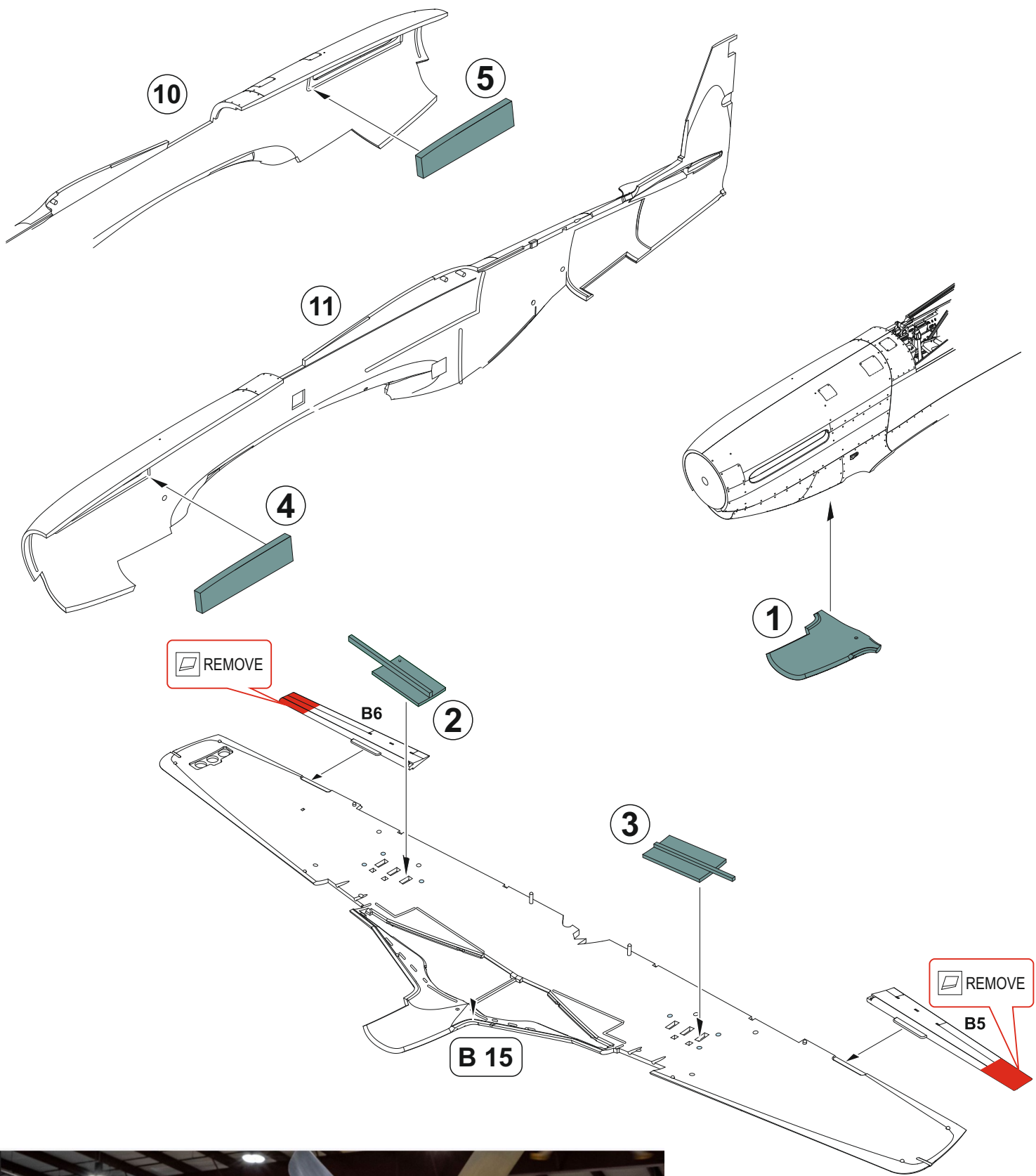


PLEASE DOWNLOAD THE ASSEMBLY INSTRUCTIONS FOR  
THE MODEL FROM THIS LINK:  
[HTTPS://WWW.EDUARD.COM/OUT/MEDIA/11134.PDF](https://www.eduard.com/out/media/11134.pdf)  
RECOMMENDED KITS EDUARD  
P-51D MUSTANG OVERTREES 1/48 82102X  
AND F-6D/ K OVERTREES 1/48 82103X





September 1949

