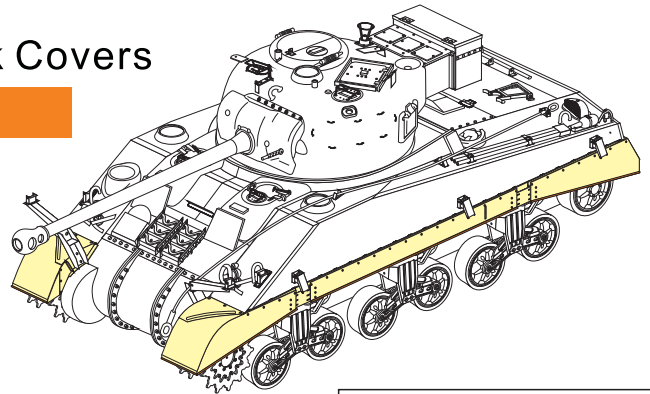


1/35 MILITARY MINIATURE VEHICLE UPGRADE SERIES PE351050

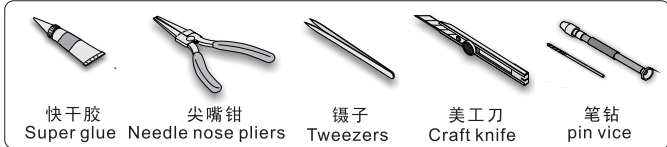
WWII UK Sherman VC Firefly Track Covers

二战英军萤火虫VC坦克裙板改造件

[For R.F.M 5038]



推荐使用工具 RECOMMENDED TOOLS



快干胶 Super glue 尖嘴钳 Needle nose pliers 镊子 Tweezers 美工刀 Craft knife 笔钻 pin vice

↑ 安装 install

↩ 折叠 bend

A1 改造件零件编号 PE/resin part number

B12 原零件编号 kit part number

C22 被替换的原零件编号 replaced kit part number

↔ 另一侧相同制作 repeat on opposite side

✂ 切除 remove

🔪 打磨 grind off

📐 弧度卷曲 radial bending

✖2 制作若干组 multiple assembly

⇄ 选择安装 alternative

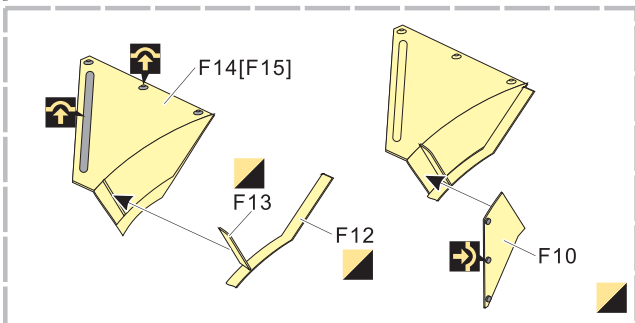
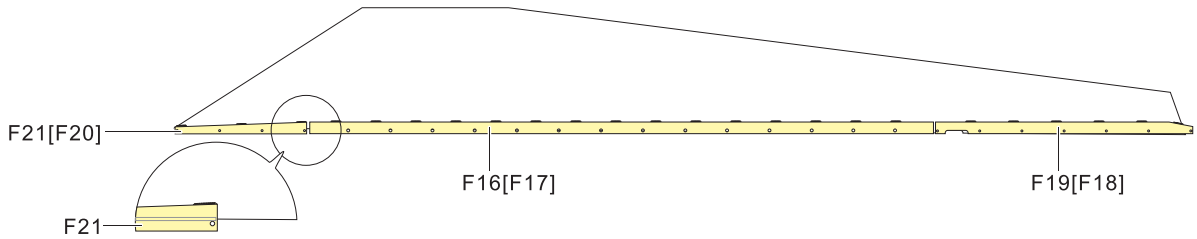
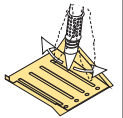
🔧 钻孔 drill

📌 用胶棒制作 make from plastic rod

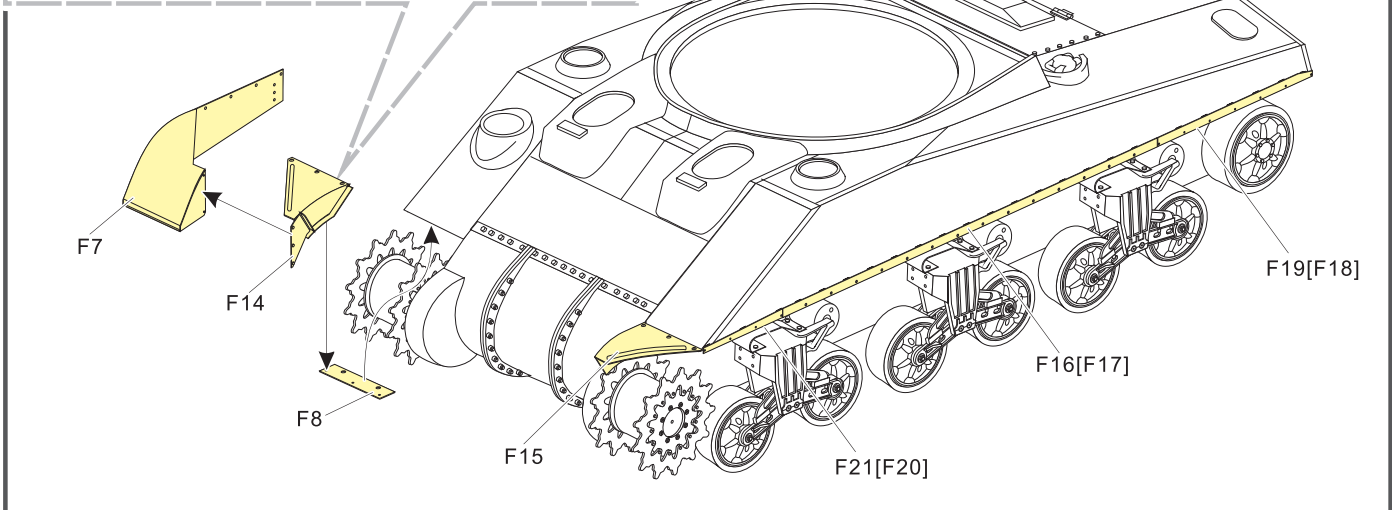
↓ 用尖端在凹槽处冲压 use penpoint to press on the dent

📄 蚀刻片零件内朝面向上 Put the part upside down

📌 用笔尖在凹槽处刺 Use penpoint to press on the dent



| VOYAGERMODEL [®] 无微不至 极尽享受 | |
|-------------------------------------|--|
| Recommended item | |
| VBS 0215 | WWII US Vehicle Mounted M2 Browning Machine Gun Patten 2 |
| PEA 081 | WWII US M1919 machine Gun |
| PE 351049 | WWII UK Sherman VC Firefly (B Ver.included Gun Barrel) |
| PE 35148 | WWII UK Sherman VC Firefly |



1/35 MILITARY MINIATURE VEHICLE UPGRADE SERIES PE351050

