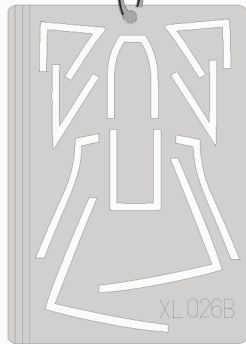
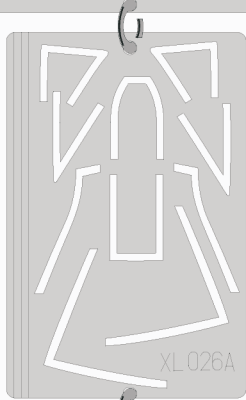


eduard
Express Mask

XL 026

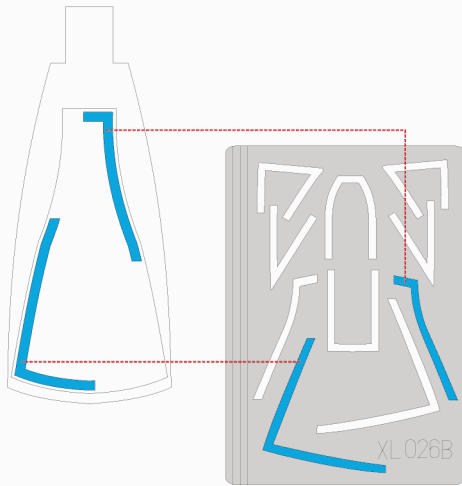
A10 Thunderbolt

The die-cut mask for accurate canopy frame painting of the
Trumpeter 1/32 KIT



1.)

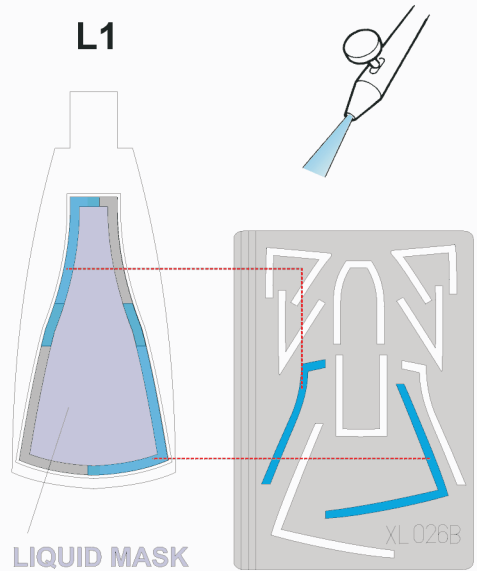
L1



2.)

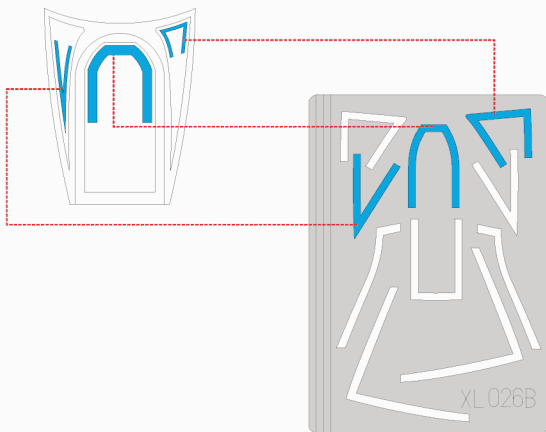
L1

RUBBER COLOR



3.)

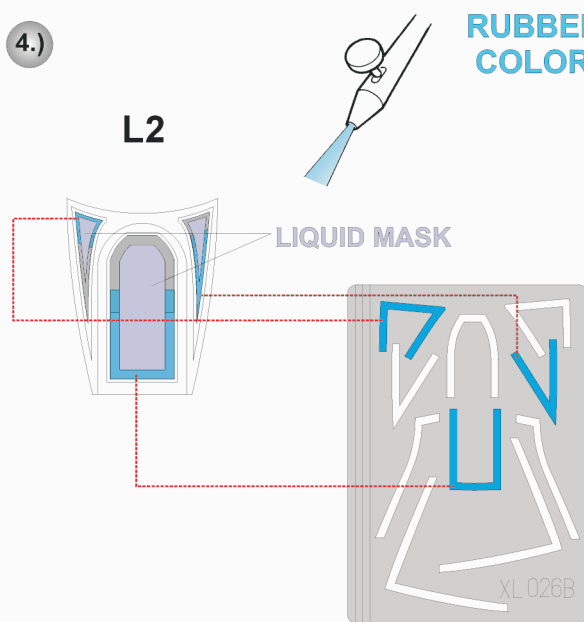
L2



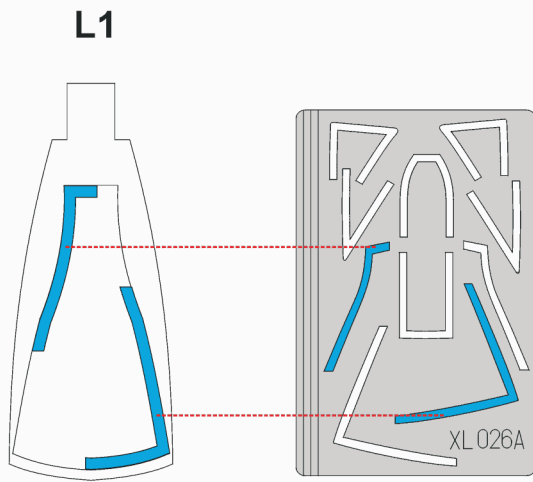
4.)

L2

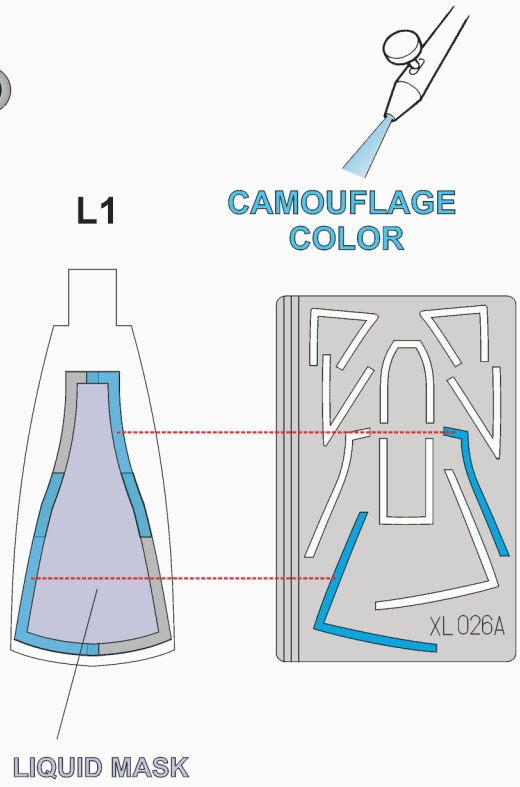
RUBBER COLOR



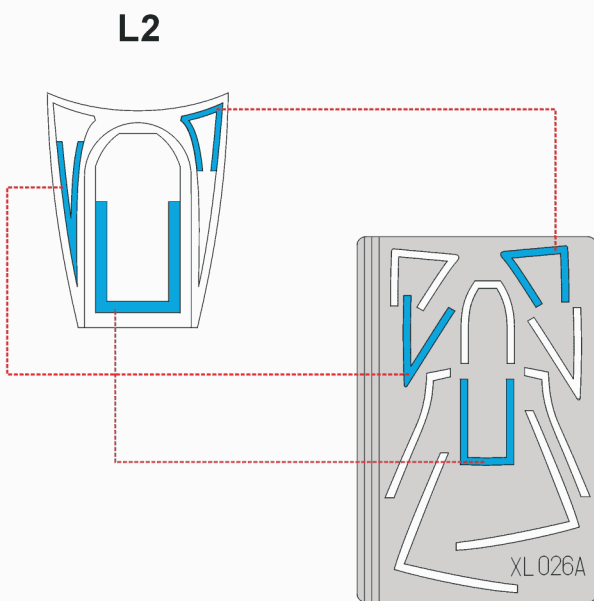
5.)



6.)



7.)



8.)

