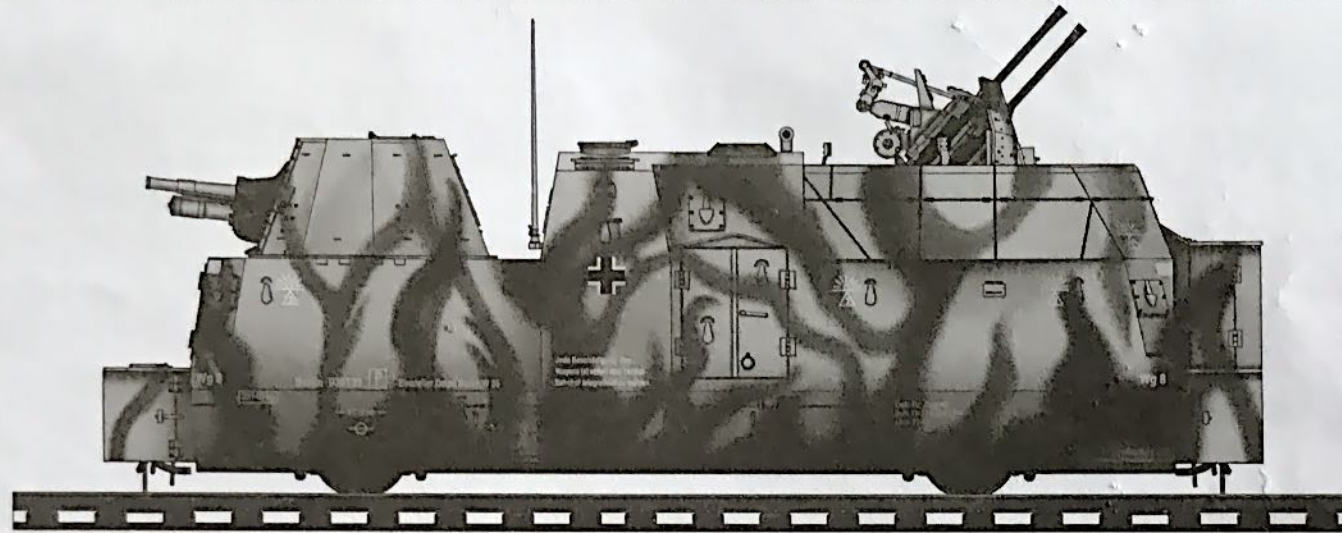


German Kanonen und Flakwagen BP42

Trumpeter | No. 01511 | 1:35



ITEM NO.:01511



German Kanonen und Flakwagen

1:35 SCALE

德国BP-42铁道装甲列车火力防空型载卡

READ BEFORE ASSEMBLY:

- Study and understand these instructions thoroughly before beginning assembly
- When needed, remove photo-etch parts carefully using a modeling knife or photo etch sprue cutter, being careful not to damage or lose small parts.
- Take extra care in handling photo etch parts in order to avoid injury
- Apply instant cement sparingly to photo etch parts where instructed

- Tools recommended(not included in kit):Plastic and instant cements,sprue cutters,long nose pliers,modeling knife, small files, tweezers, pin vise & scissors. Soft cloth and sandpaper will also assist in construction
- Glue and paint are not included in the kit. Use plastic cement and hobby paints only. Color guide for purchasing paint is included in the kit.

装配之前仔细阅读

- 小心用模型锉刀锉平所有零件表面的注射浇口。
- 小心用刀片切下蚀刻片零件，不要遗失小零件。
- 用强力快干胶水粘合蚀刻片零件和金属轴。过量快干胶水。使用可能导致可动零件会粘住，小心涂胶。
- 取蚀刻片时应特别注意安全，防止利边划伤手指。
- 某些零件表面需贴水上贴纸，请选择在装配的同时进行。
- 推荐模型工具(自备)：胶水，水口剪刀，长咀钳，刀片，锉刀，镊子，钳，钻，剪刀，瞬间快干胶。
- 软布同砂纸同时也应该是必备工具。
- 请使用塑料胶水和油漆，模型内不含。

水贴纸的使用:

1. 从水贴纸上剪下印花;
2. 将印花放入温水中浸10秒, 然后放在干净布上.
3. 拿着印花纸板将印花移到模型上;
4. 手指蘸水将印花移到适当的位置;
5. 用软布轻压印花直至水干, 气泡消失.

DECAL APPLICATION:

1. Cut decals from sheet as needed
2. Dip the decal in warm water for about 10 seconds and then place on soft clean cloth.
3. Hold the decal backing sheet edge and gently slide the decal onto the model in its proper position.

4. While still wet, decal can be adjusted for better fit on model by dampening it gently with your finger.
5. When placed in the proper position, gently press decal down with a soft cloth until excess water and air bubbles are gone.
6. Allow decal to dry completely before handling model



cyanoacrylate glue
使用强力胶



weight
配重



make hole
钻孔



cut / remove
切除



option
选择



no cement
不涂胶水



decal
贴纸

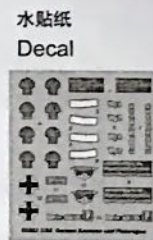
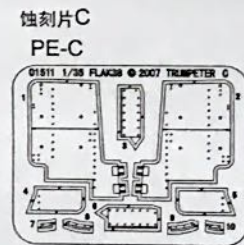
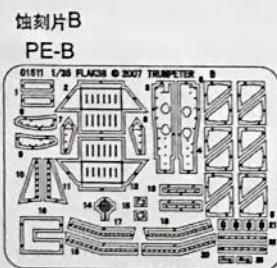
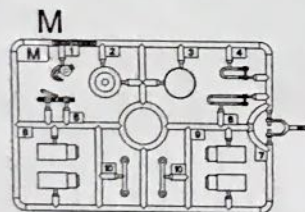
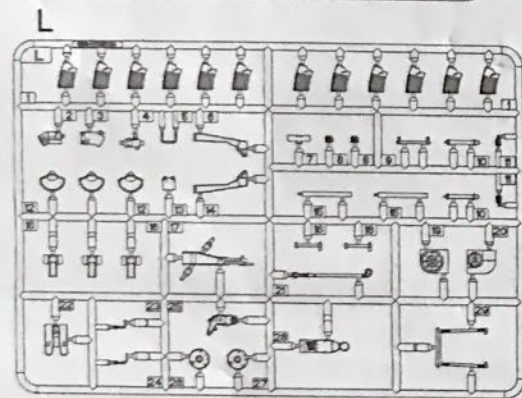
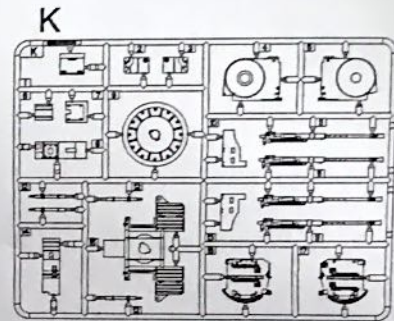
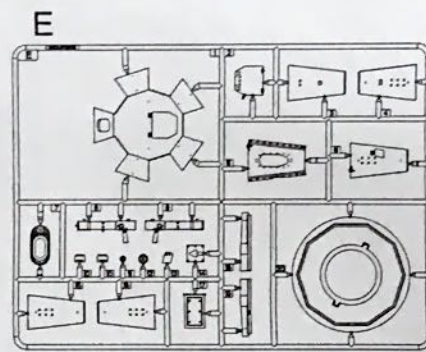
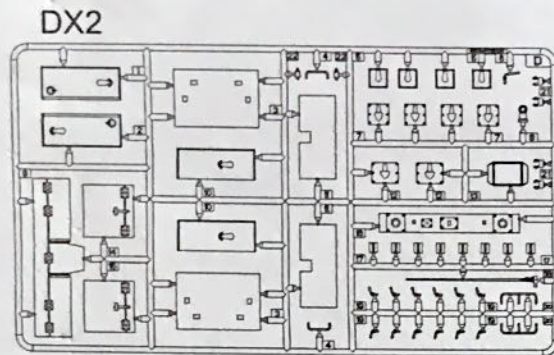
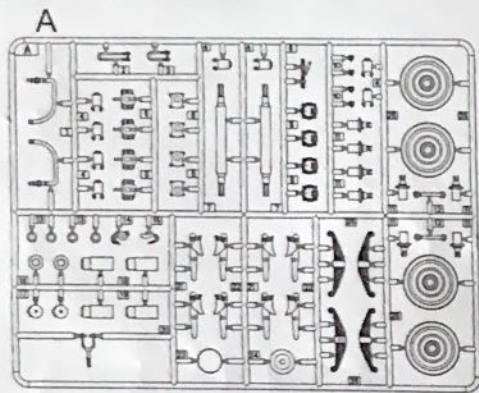


bend
弯曲

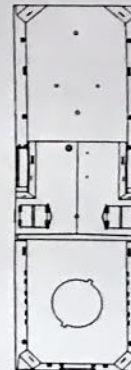


file / sand
锉平

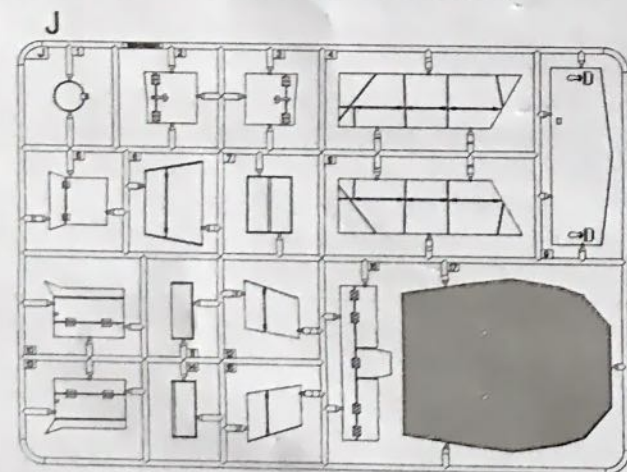
部品图 Parts



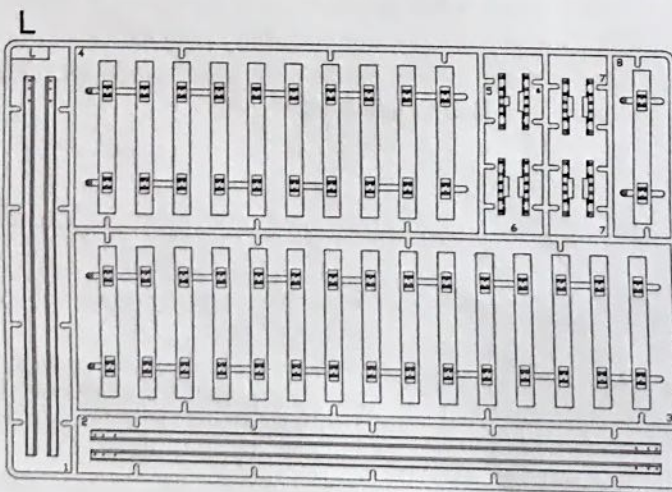
《车面》
Upper hull



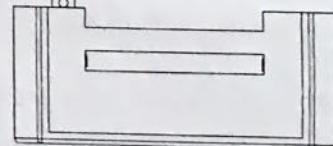
《车底》
Lower hull



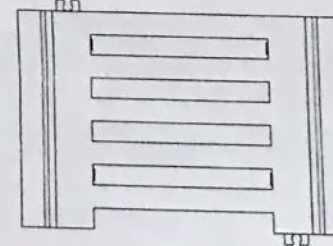
路基部品图 Roadbed parts



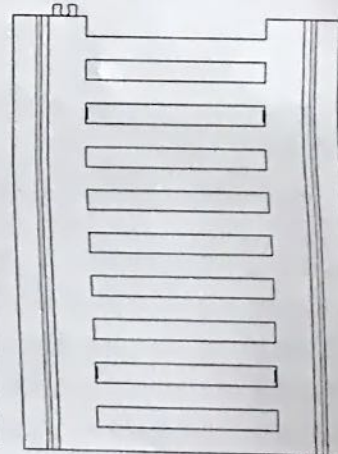
路基 -AX2
Road -AX2



路基 -BX2
Road -BX2

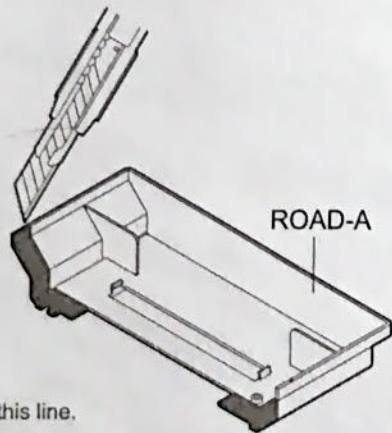
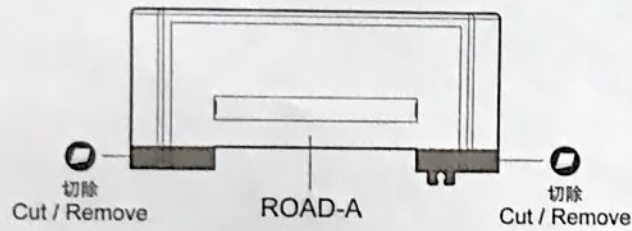


路基 -C
Road -C

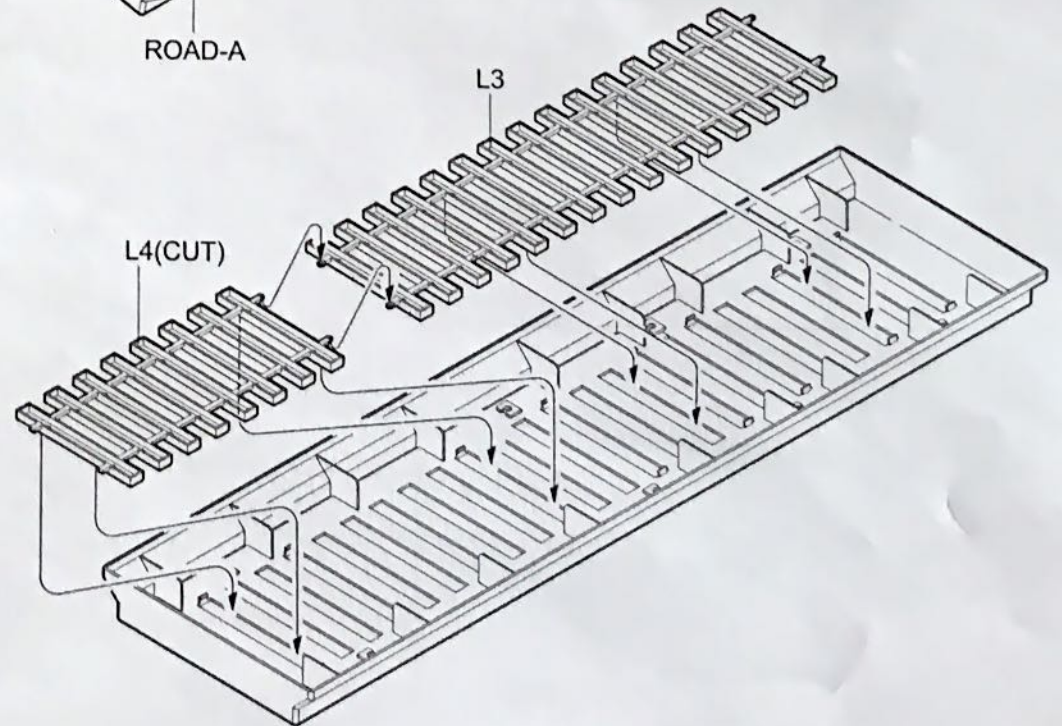
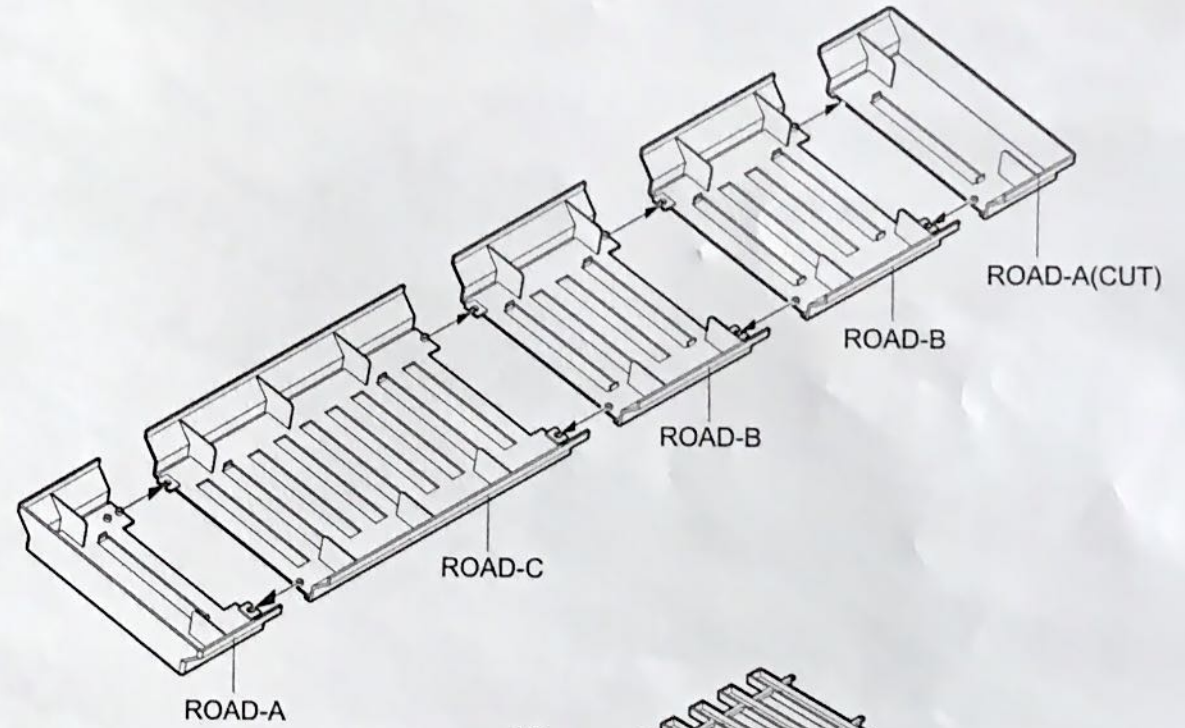
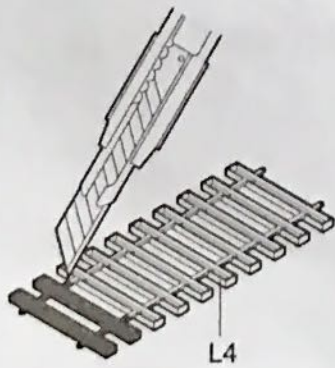


不用部品: A10, D5X6, D7X6, D9X1, D14X1, D15X1
Unused parts:

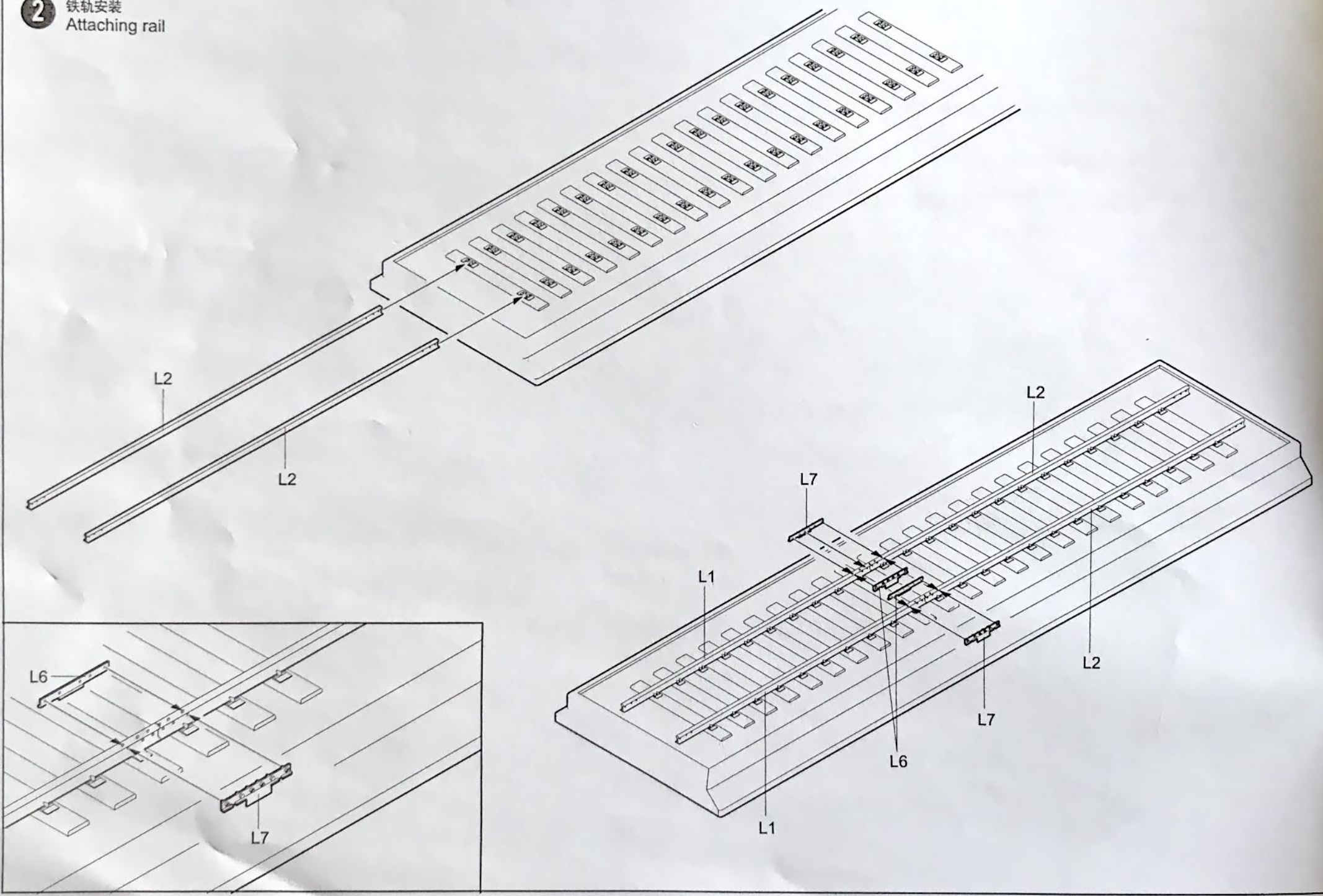
1 枕木安装
Attaching crosstie



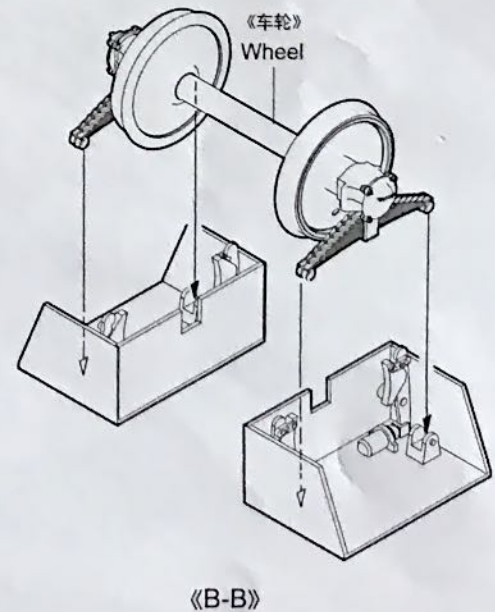
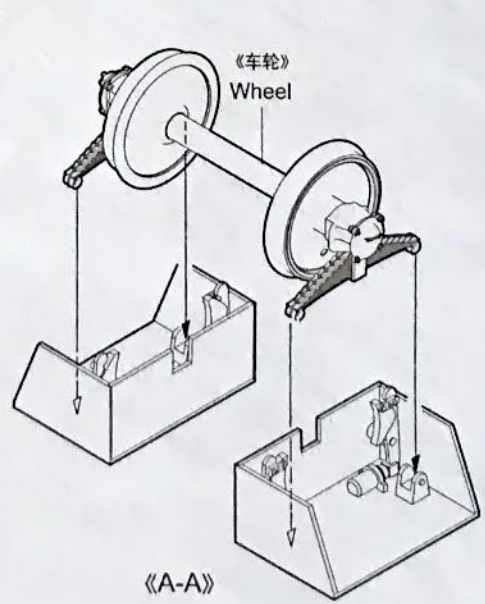
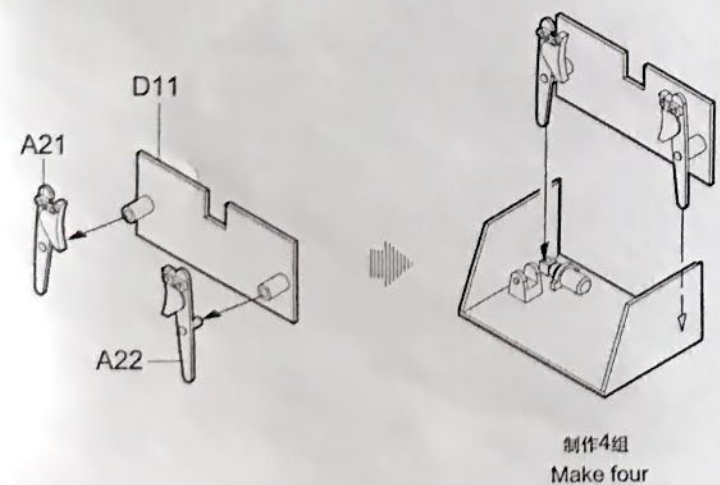
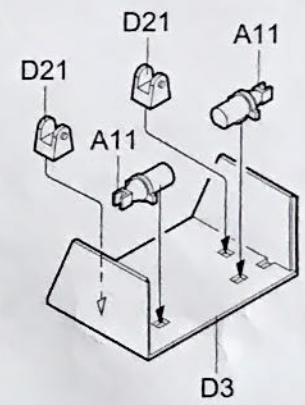
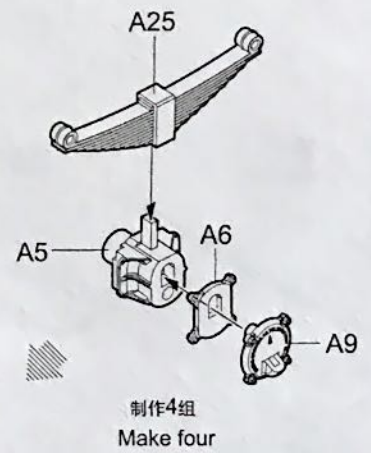
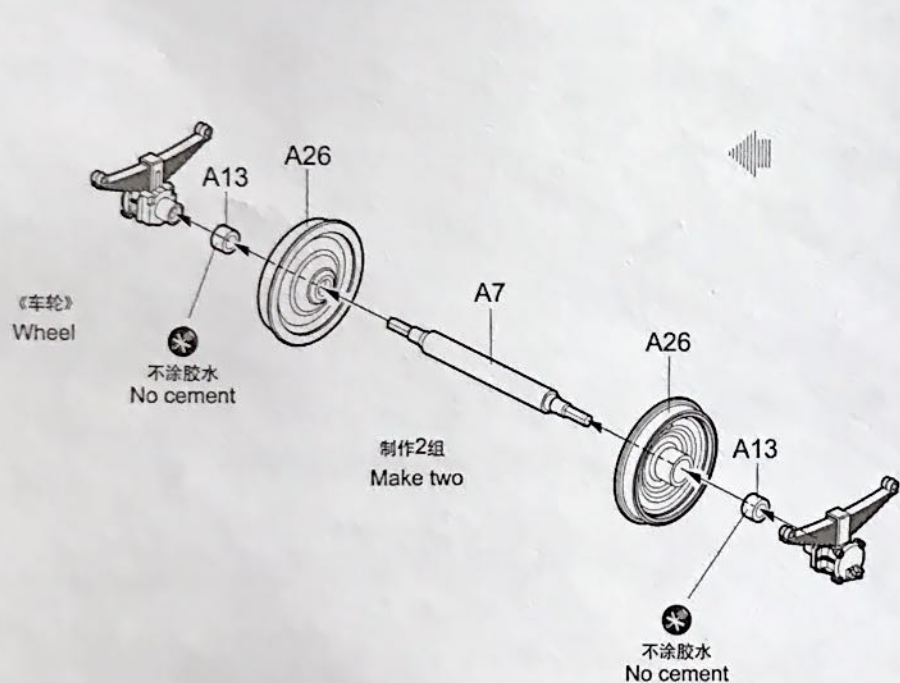
沿线切取其中1件
Cut only one sheet along this line.



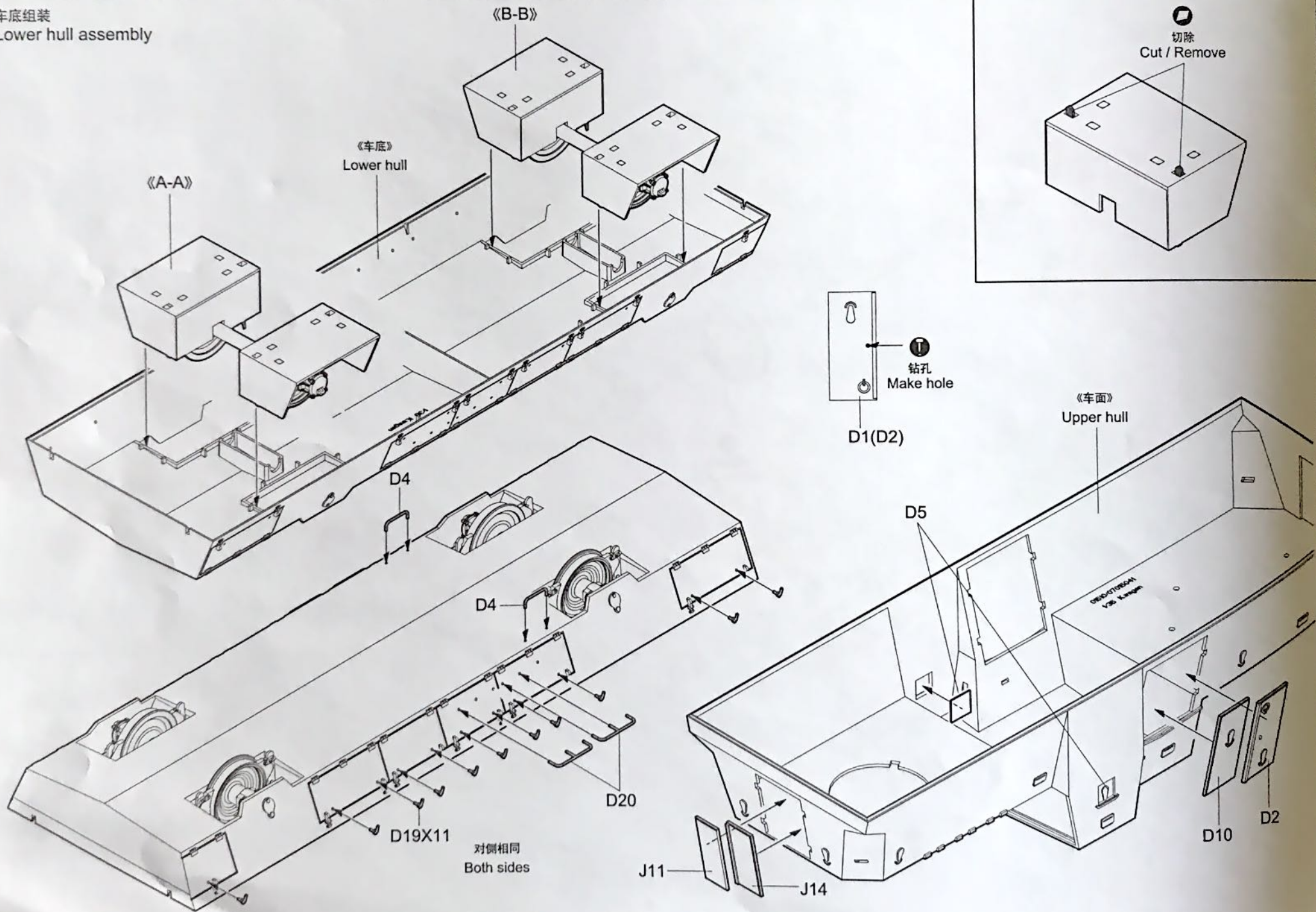
2 铁轨安装
Attaching rail



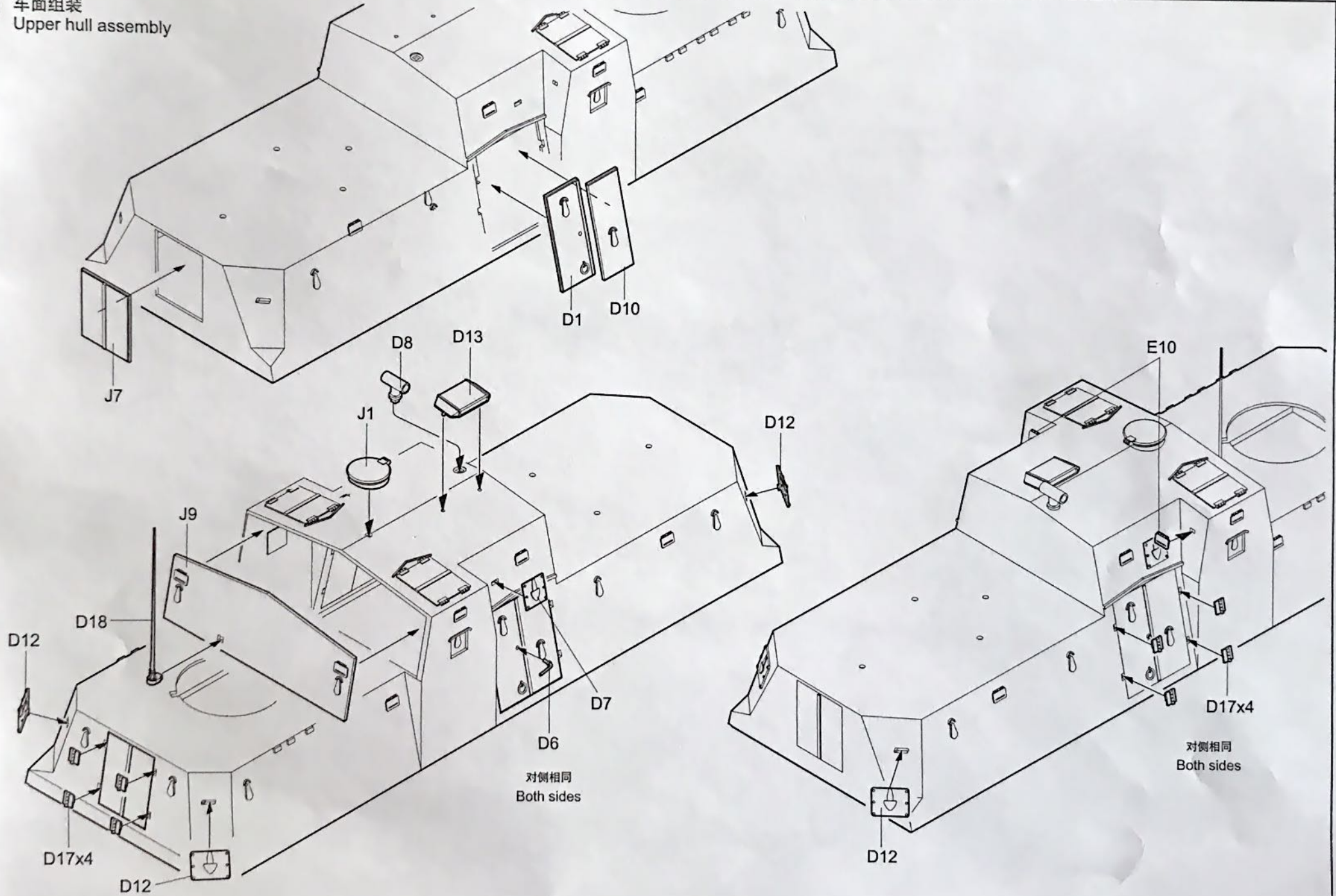
3 车轮组装
Wheels assembly



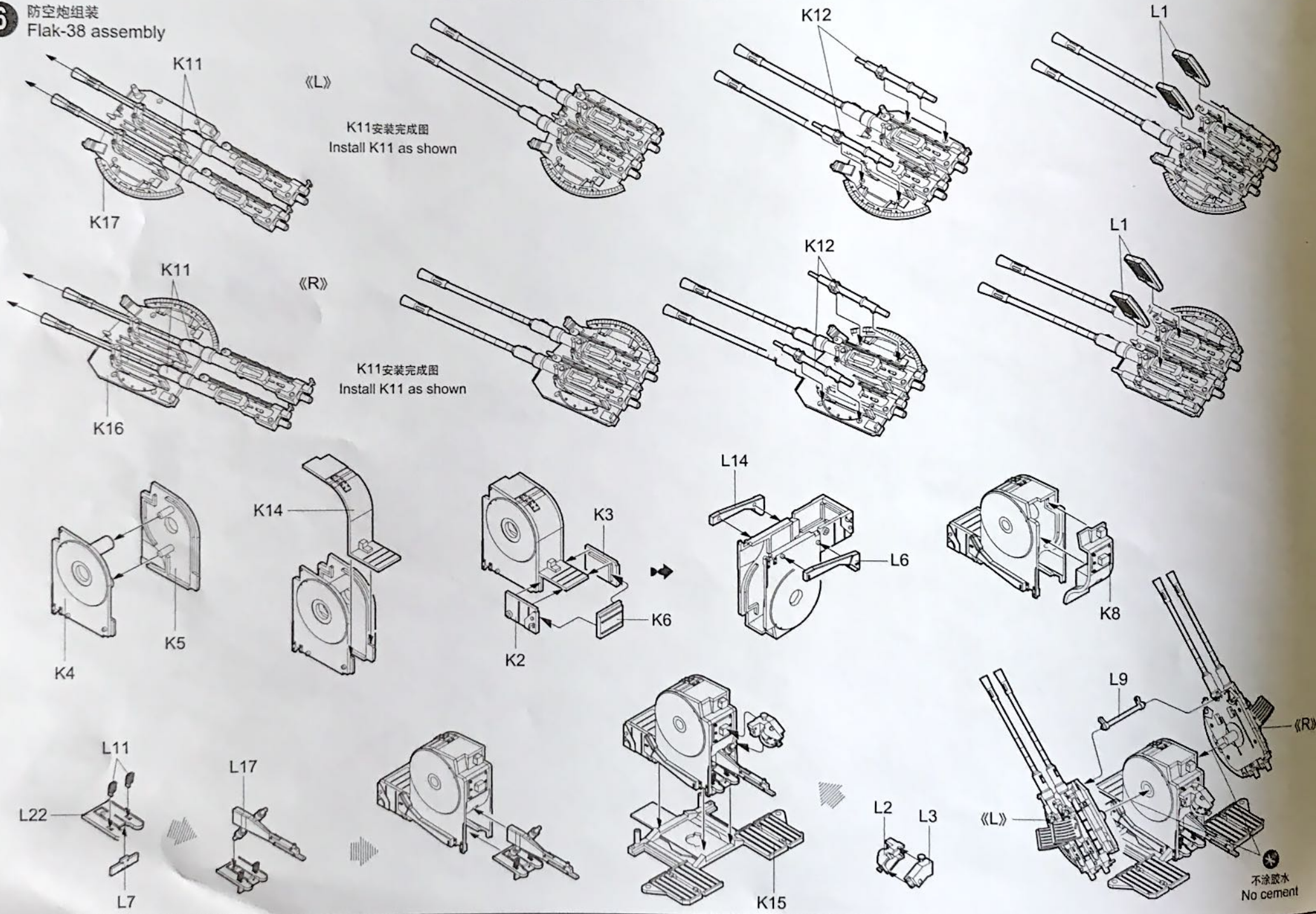
4 车底组装
Lower hull assembly



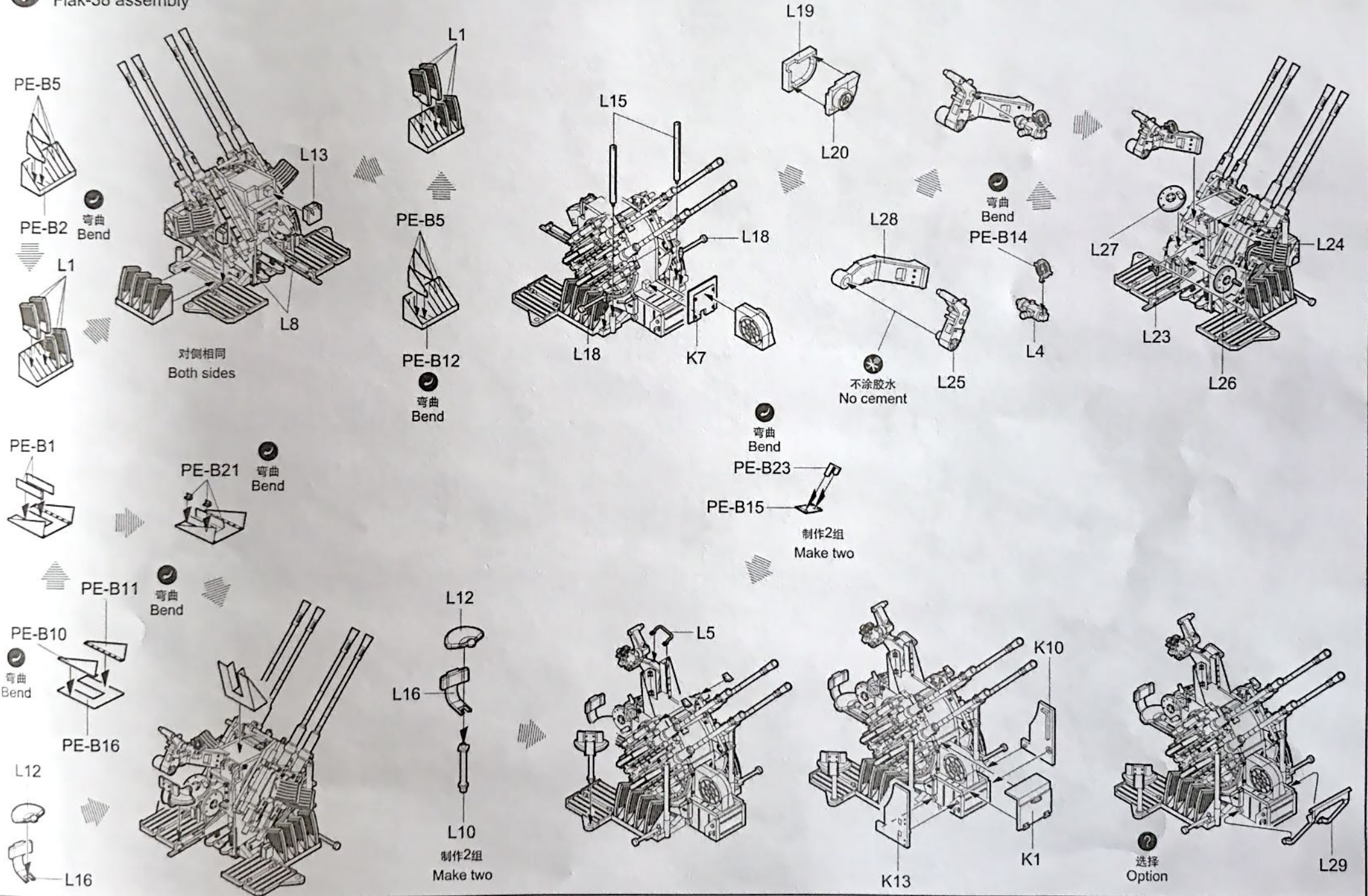
5 车面组装
Upper hull assembly



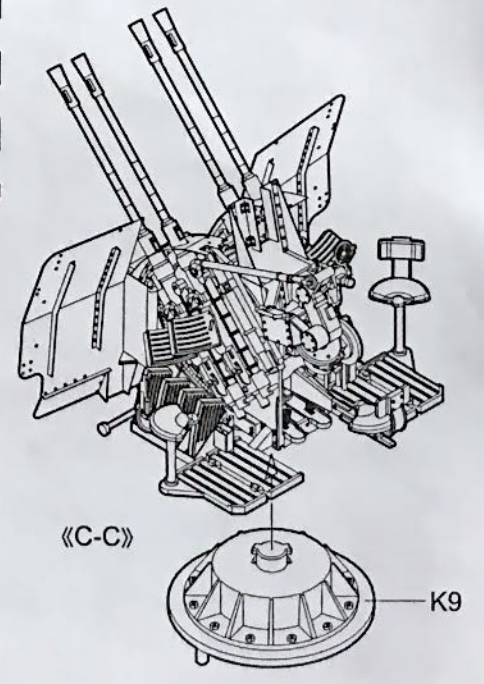
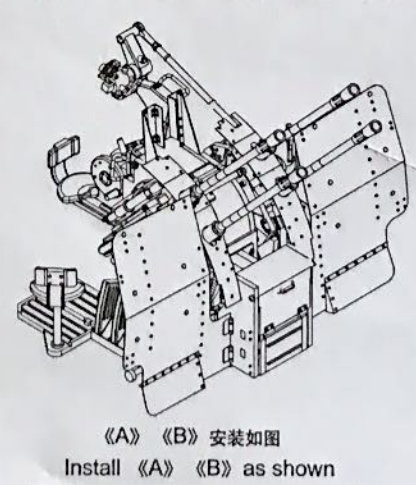
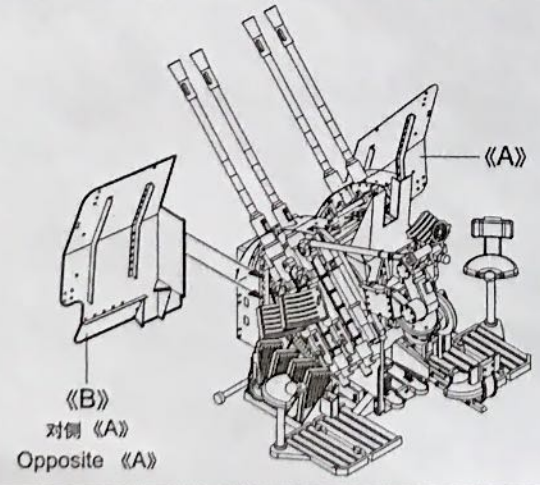
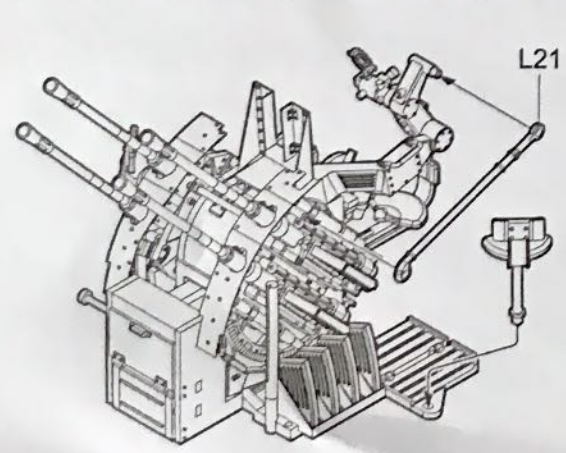
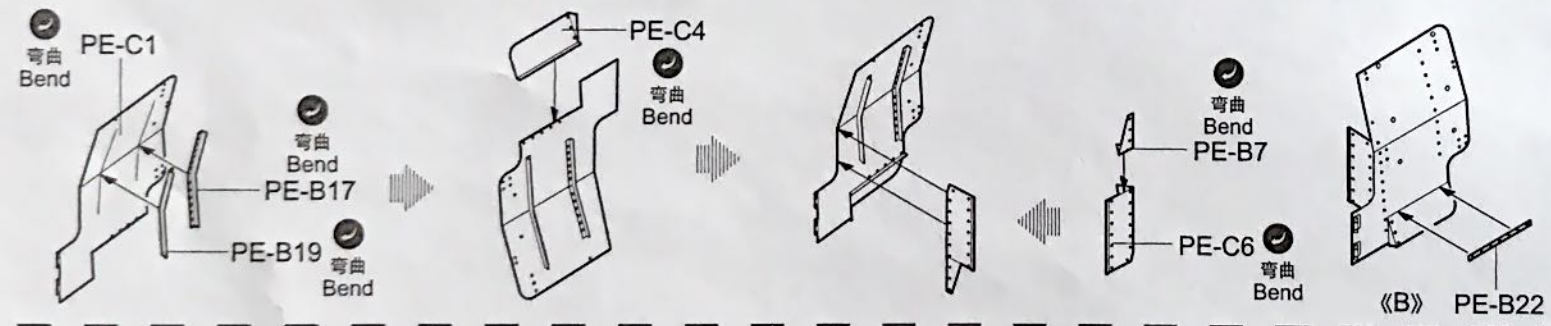
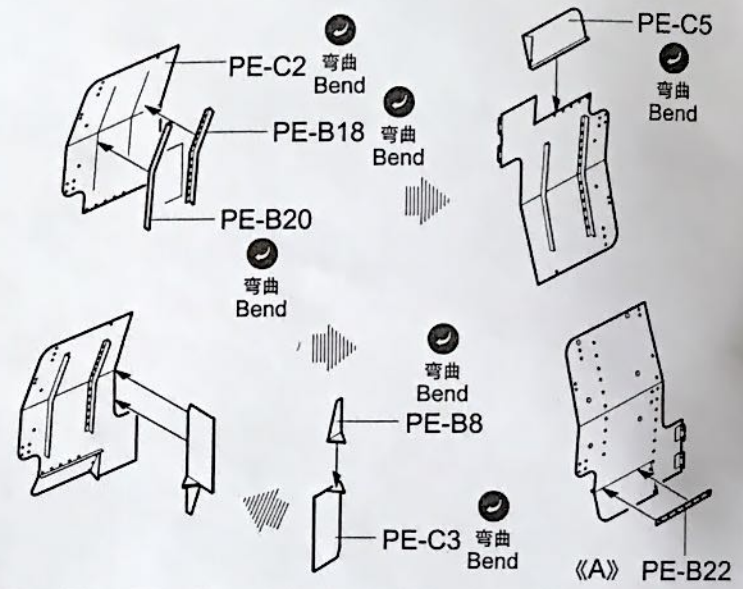
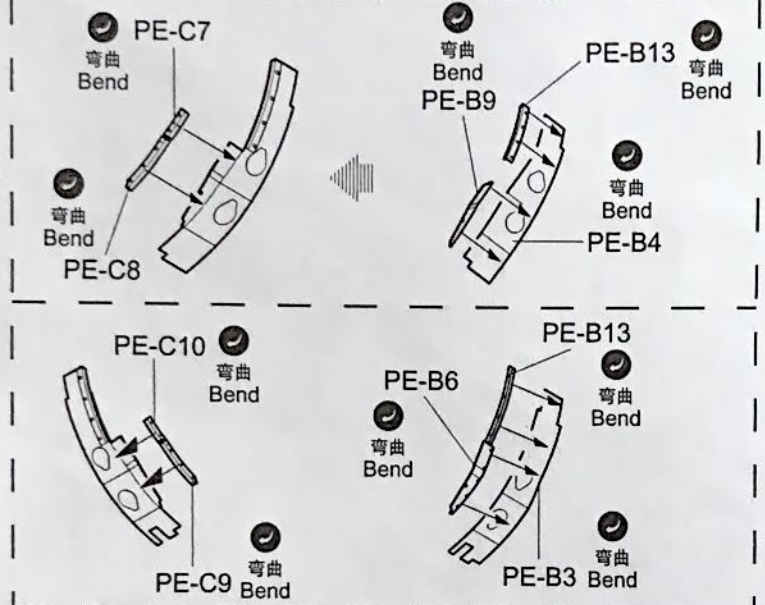
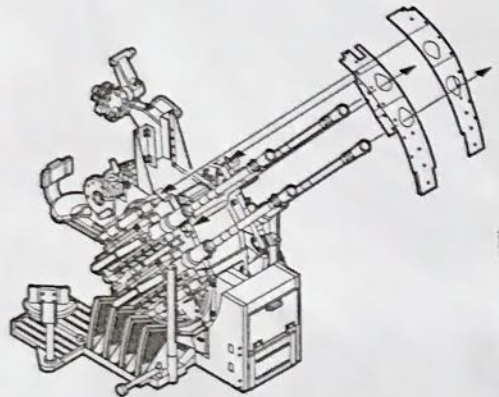
6 防空炮组装
Flak-38 assembly



7 防空炮组装
Flak-38 assembly



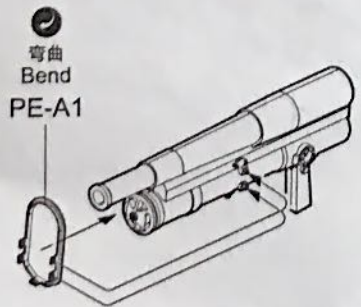
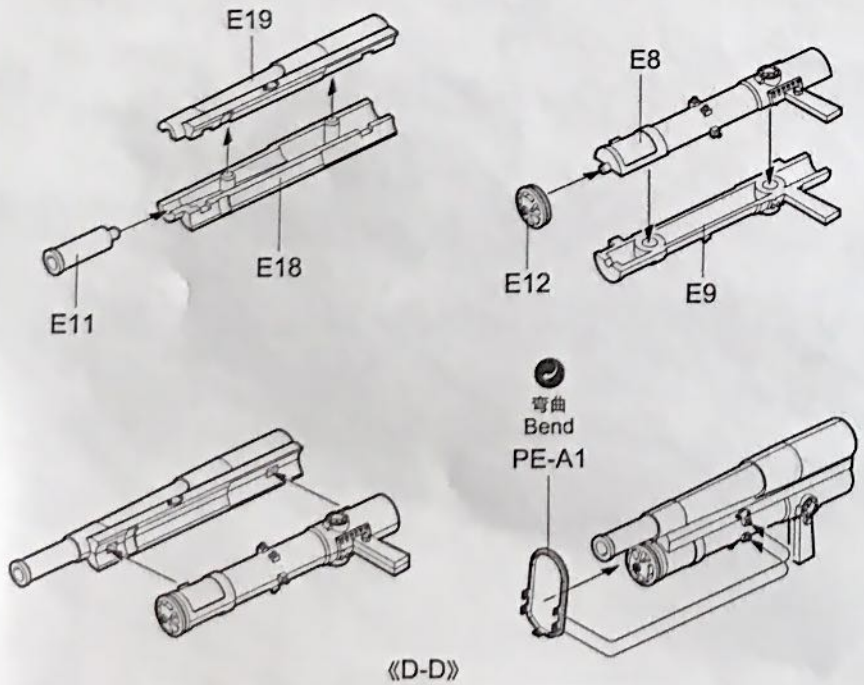
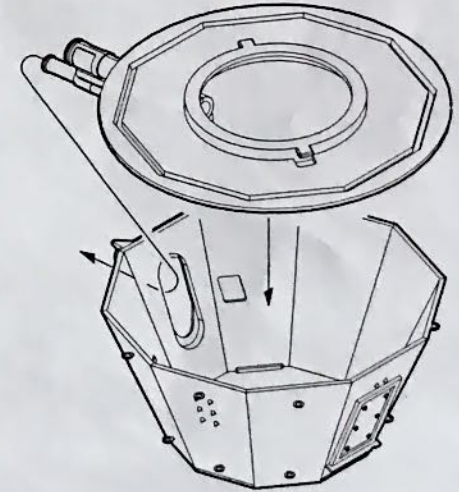
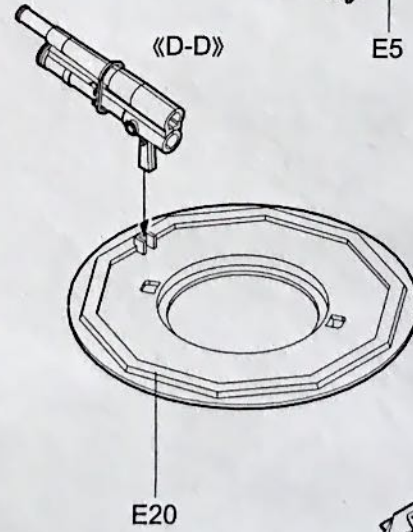
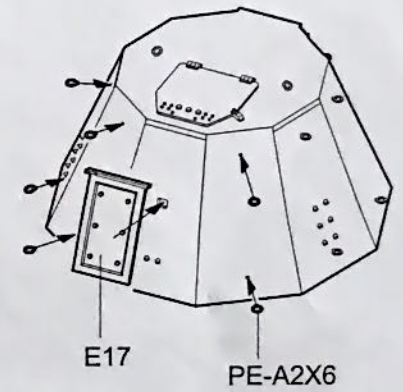
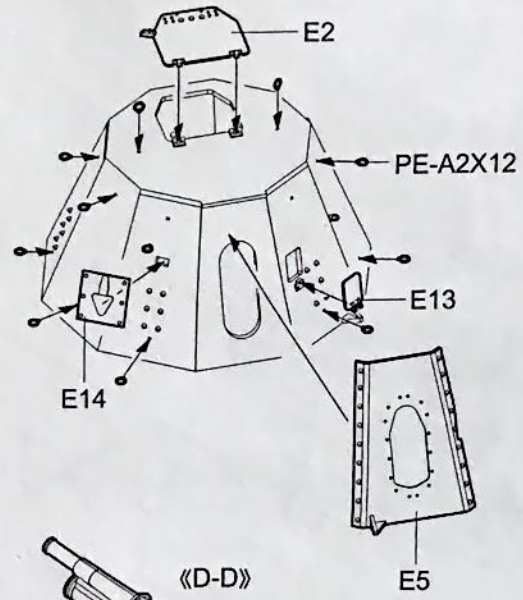
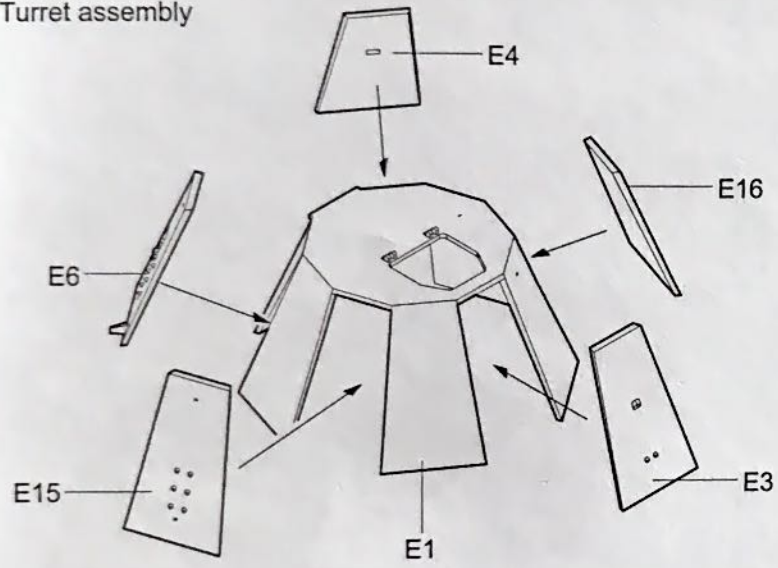
8 防空炮组装
Flak-38 assembly



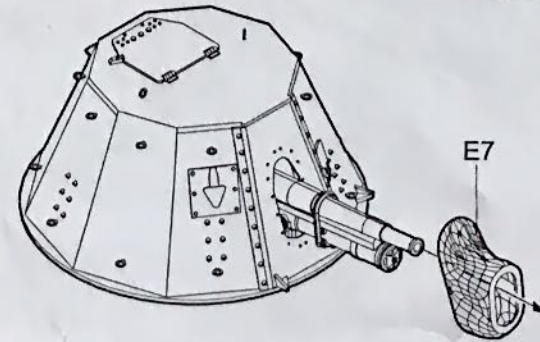
9

炮塔组装

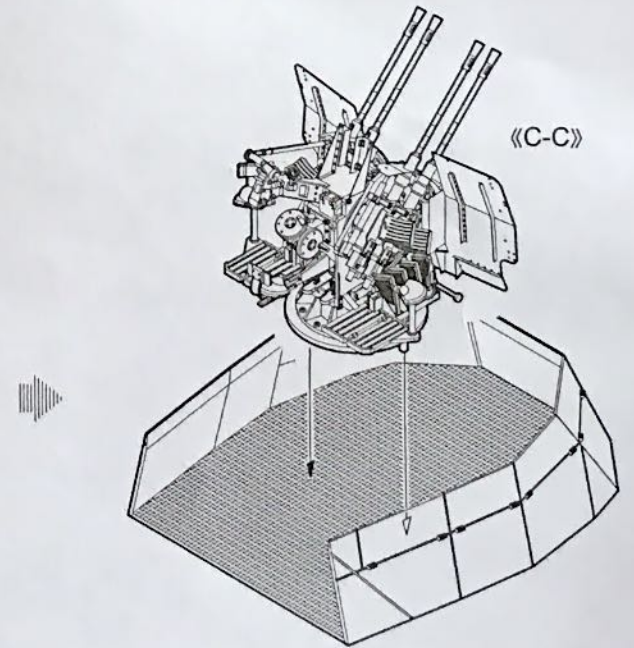
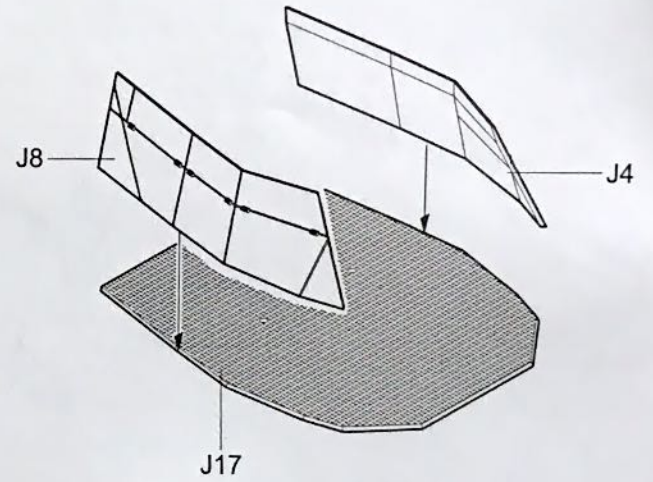
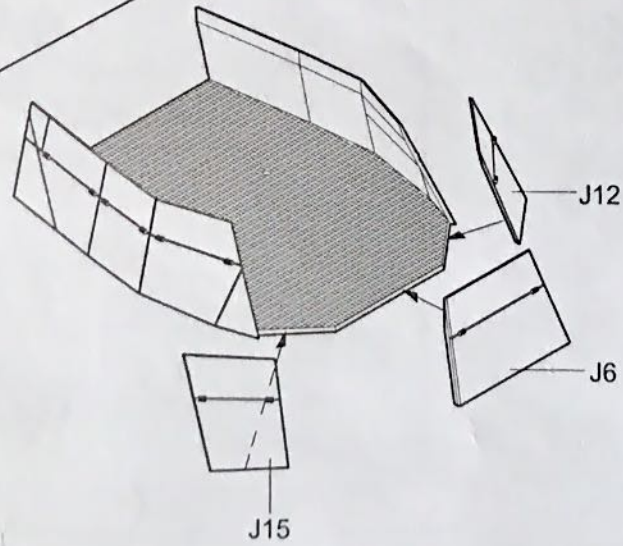
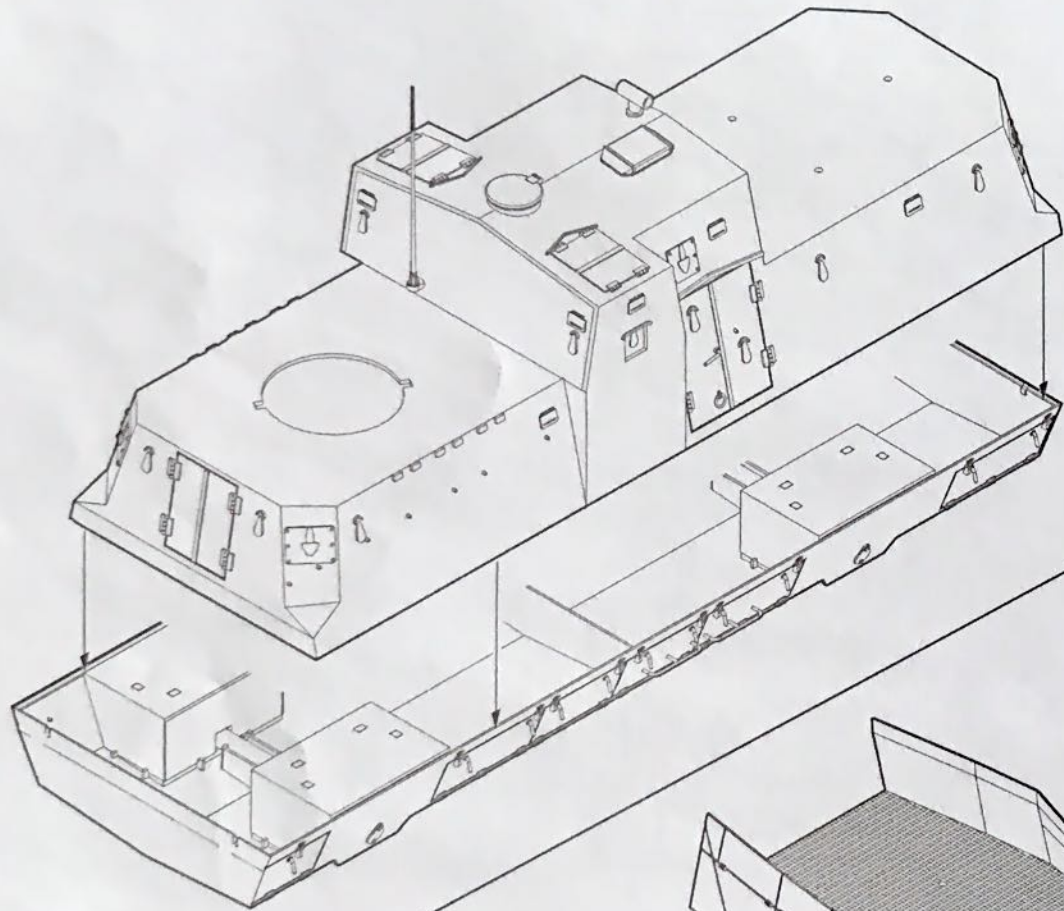
Turret assembly



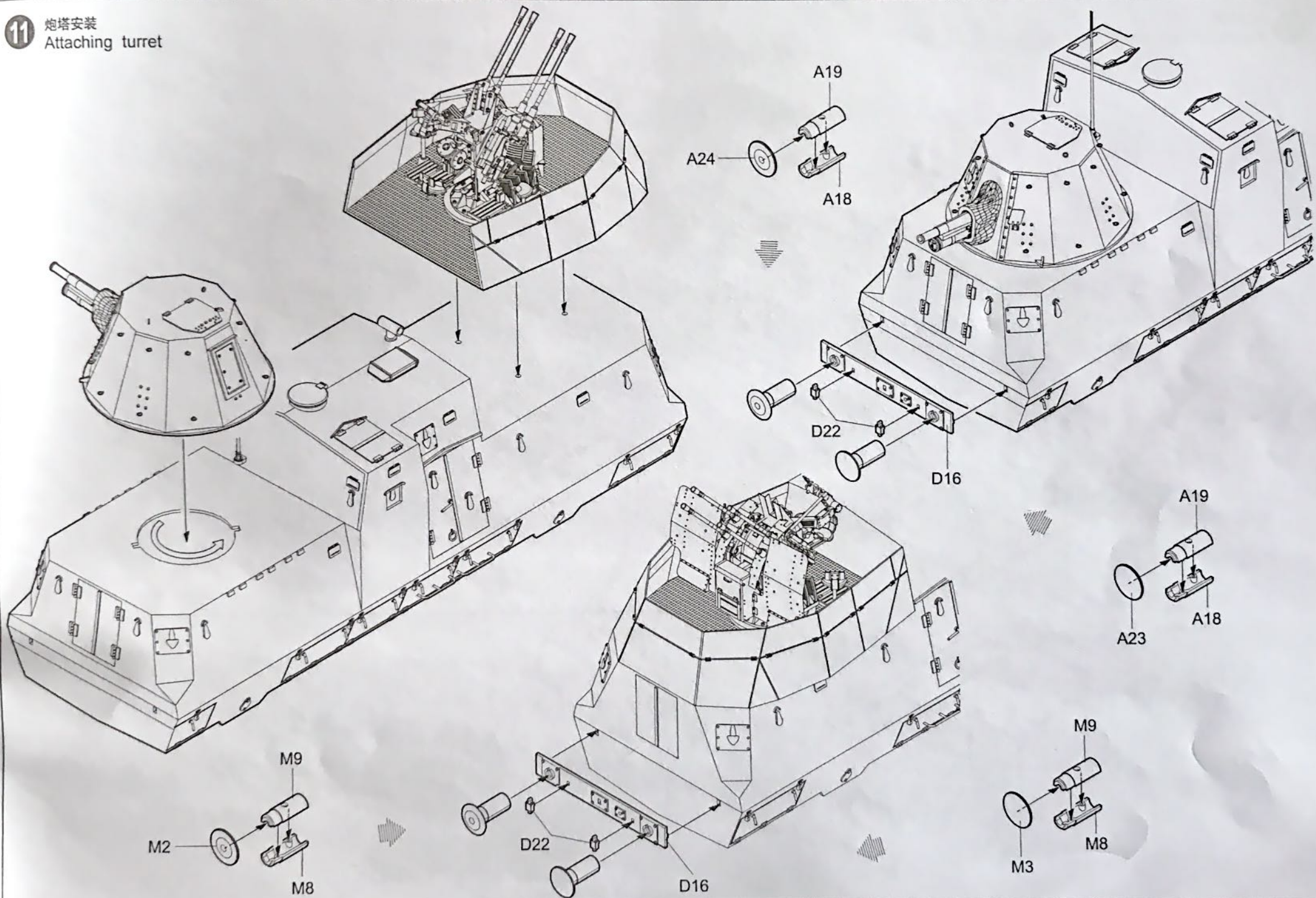
弯曲
Bend
PE-A1



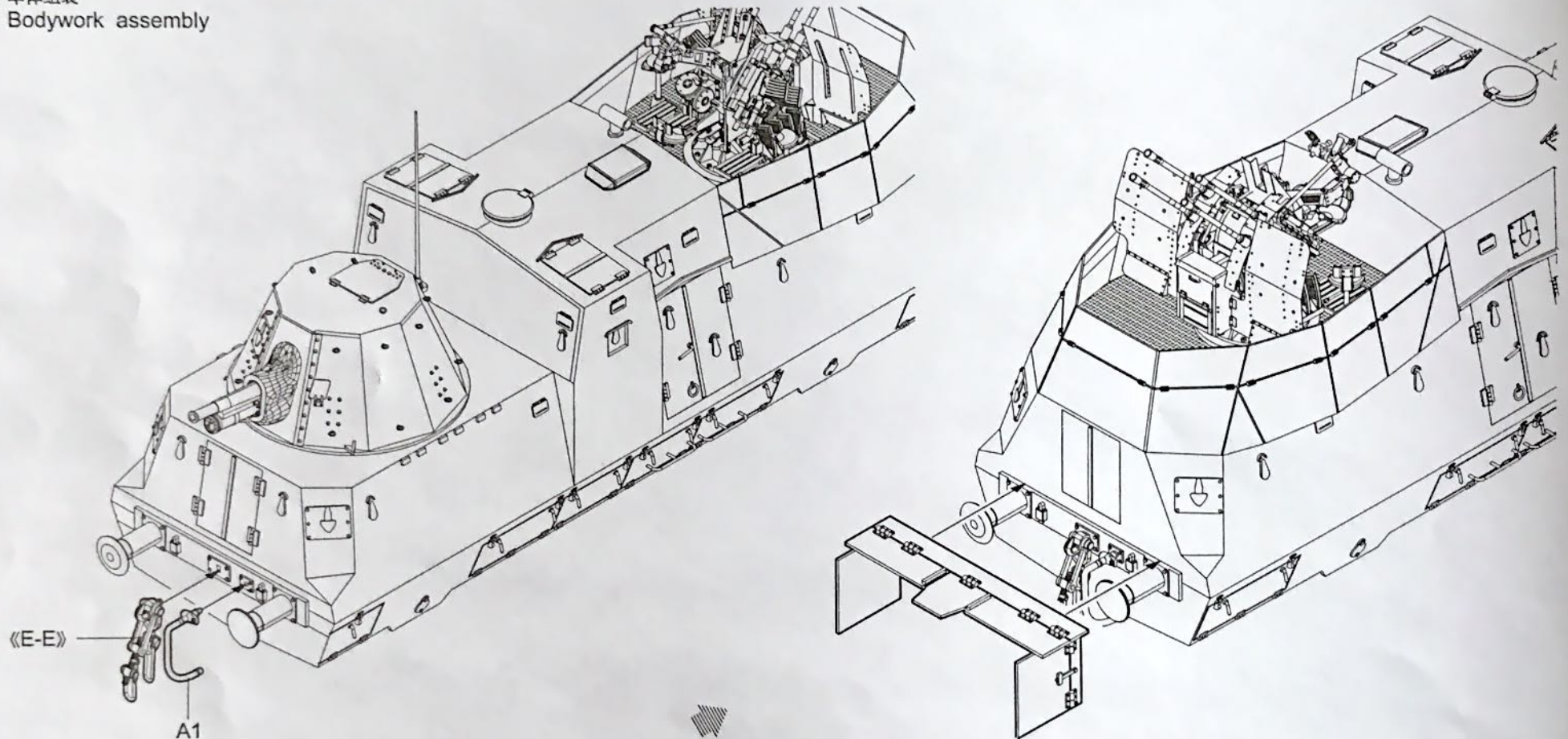
10 车面安装
Attaching upper hull



11 炮塔安装
Attaching turret

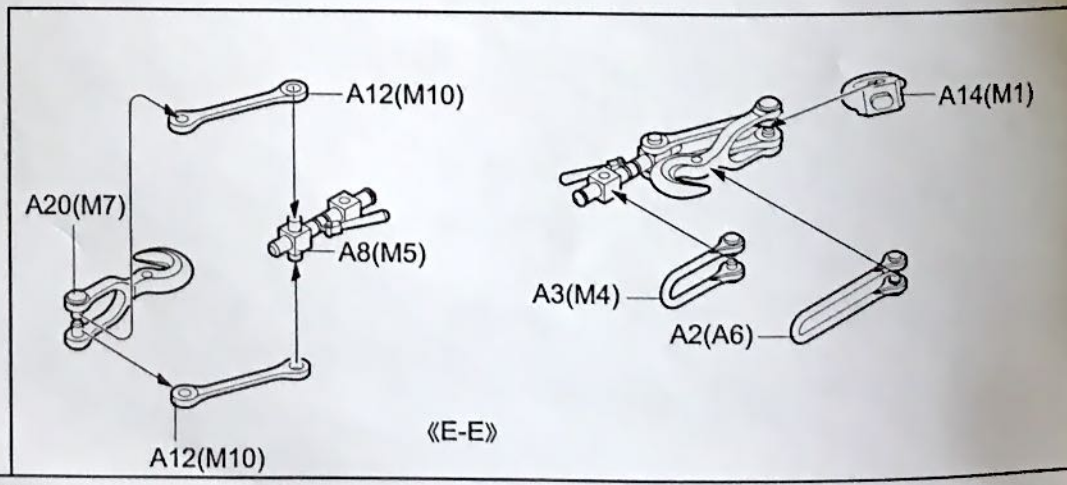
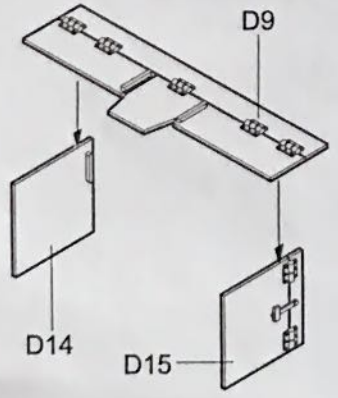


12 车体组装
Bodywork assembly



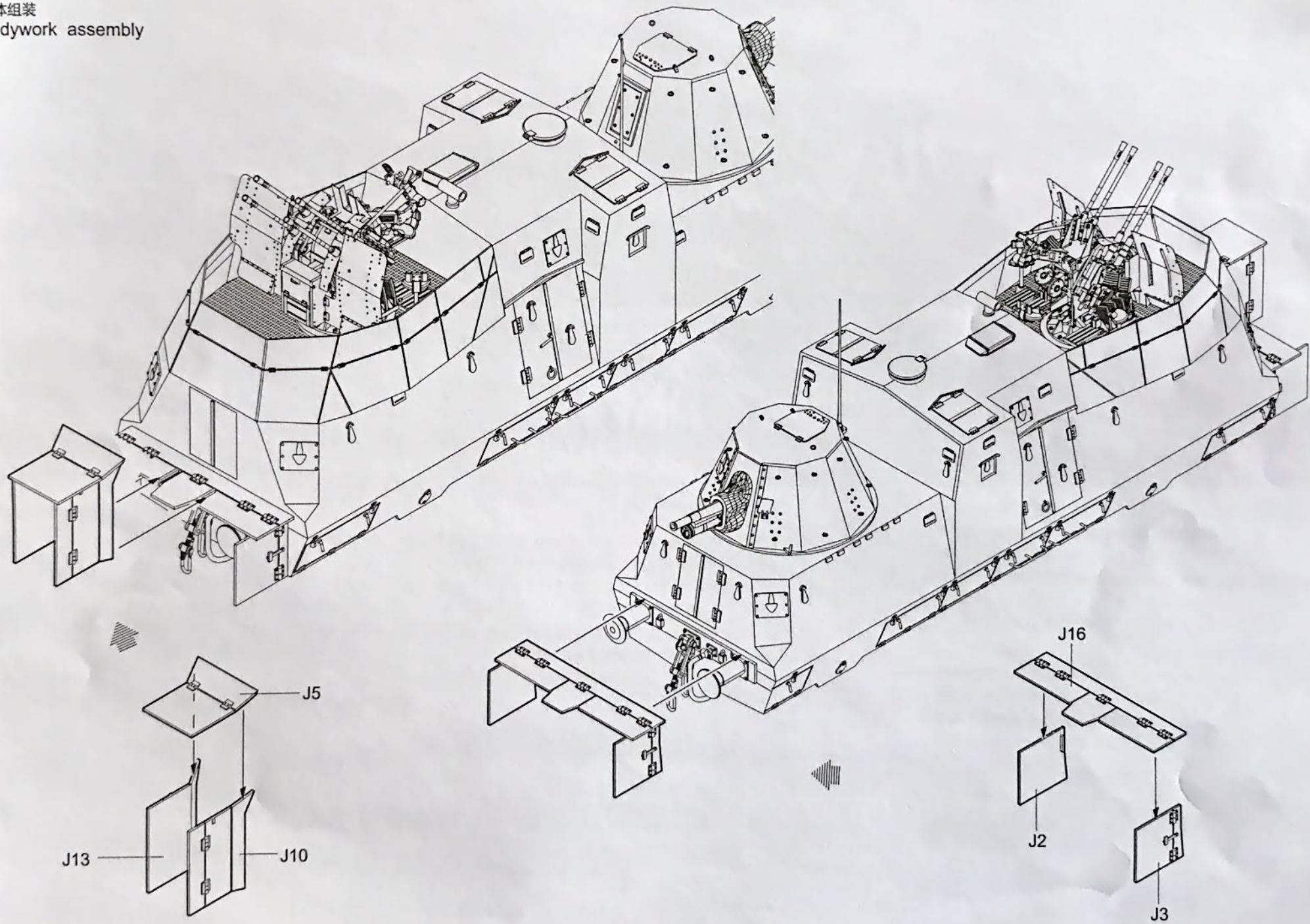
《E-E》
A1

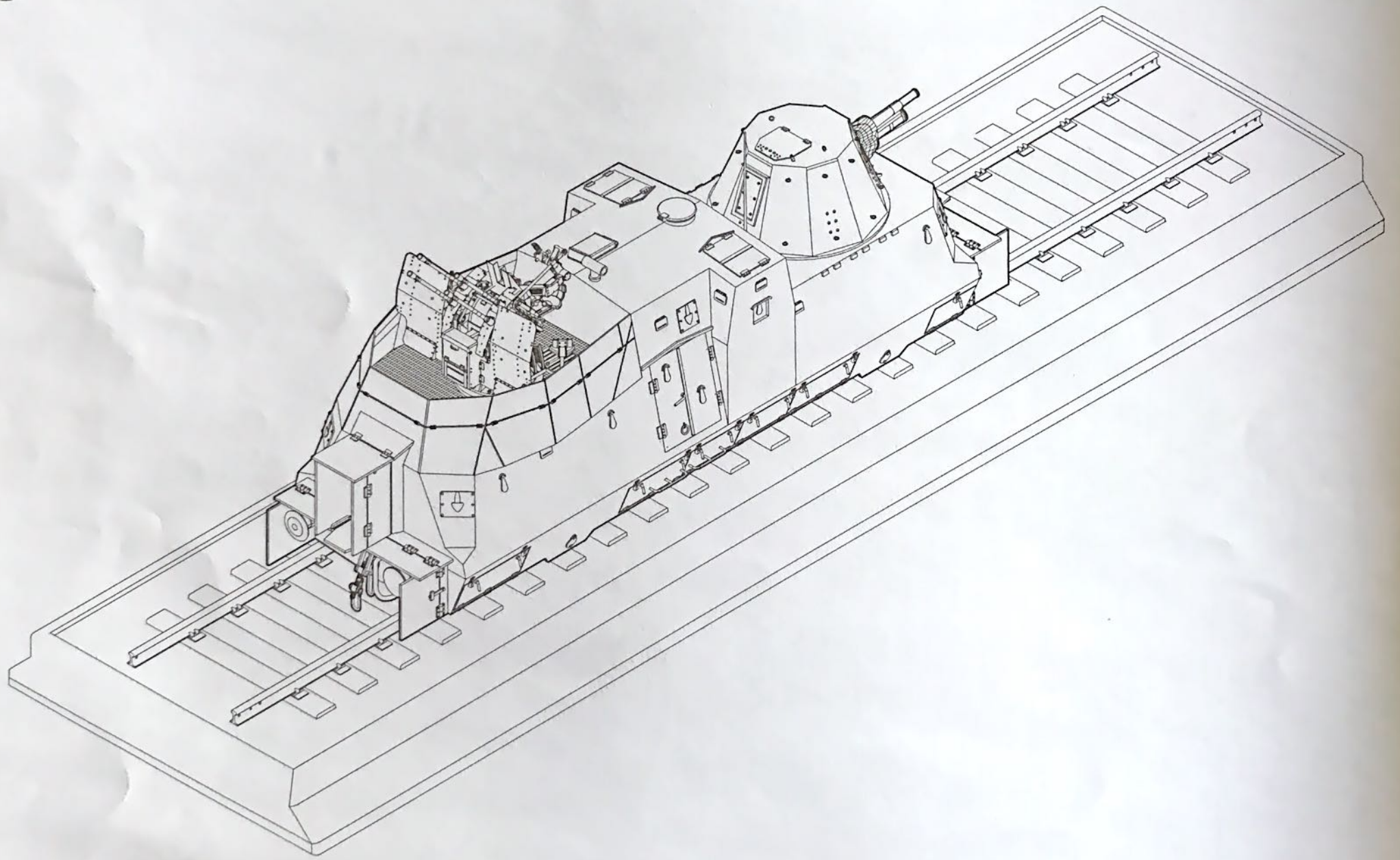
对侧相同
Both sides



《E-E》

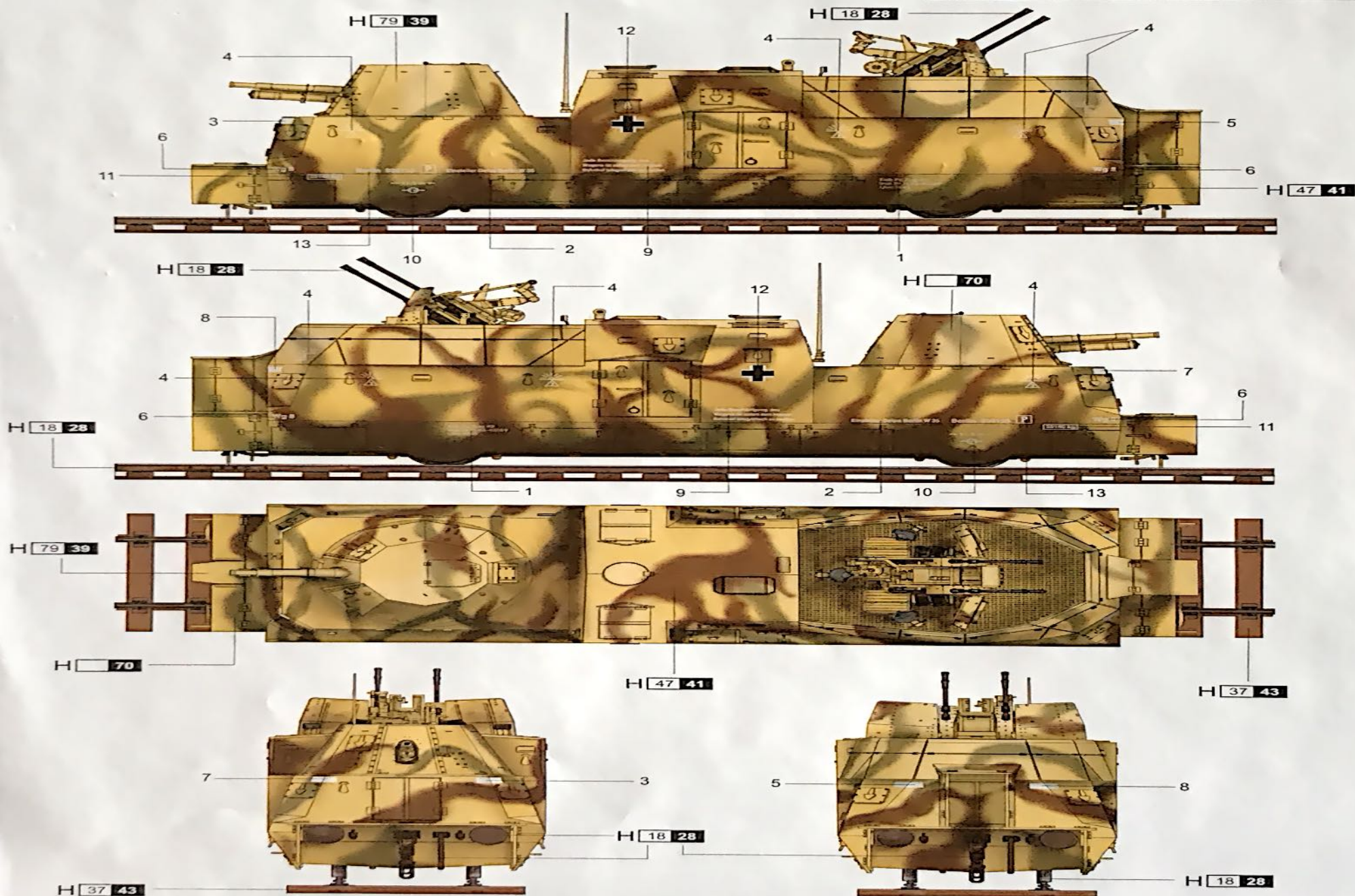
13 车体组装
Bodywork assembly





涂装同标贴指示 Painting & Marking guide

PAINT REFERENCE COLOUR					
Color	Mr Hobby	Vallejo	Model Master	Tamiya	Humbrol
Steel (Metal Blue) 钢铁色	H 18 28	864	1402	—	—
Sandy Brown 砂土色	H 79 39	824	—	XF59	93
Wood Brown 木棕色	H 37 43	983	1701	—	186
Dark Green 深绿色	H 70	—	—	—	—
Red Brown 红棕色	H 47 41	981	—	XF64	160



H AQUEOUS HOBBY COLOR ■ Mr. COLOR