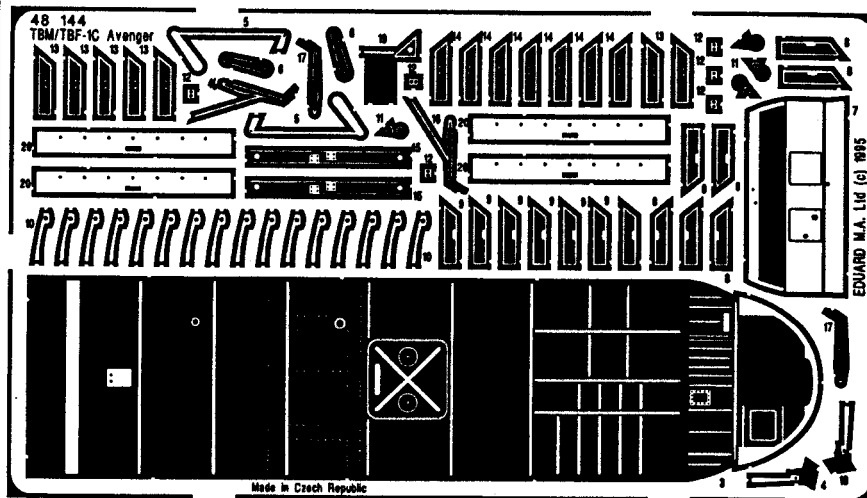




# TBM/TBF-1C AVENGER - BOMB BAY

48 144

1/48 scale detail set for Monogram kit

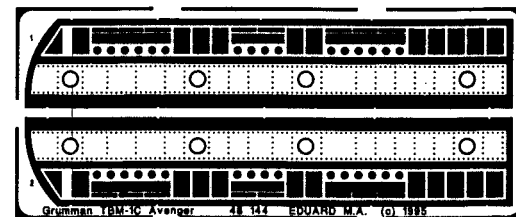
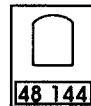


BEND

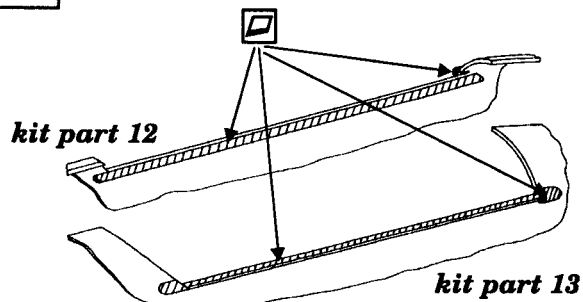
OPPOSITE SIDE

REPLACE

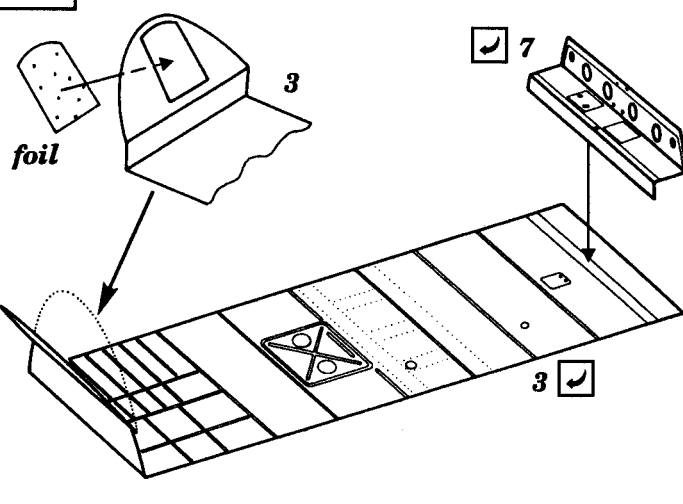
REMOVE



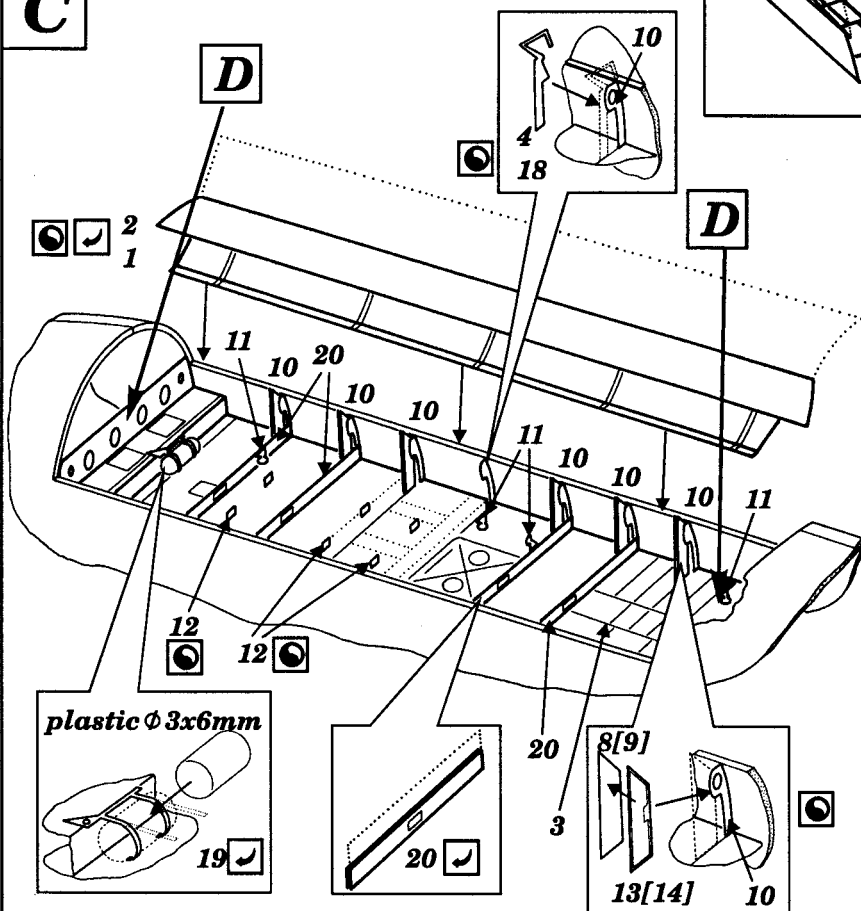
**A**



**B**

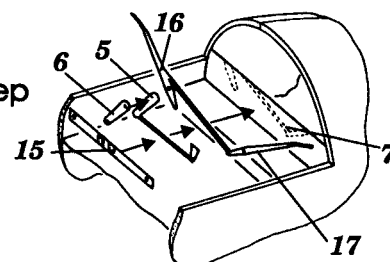


**C**

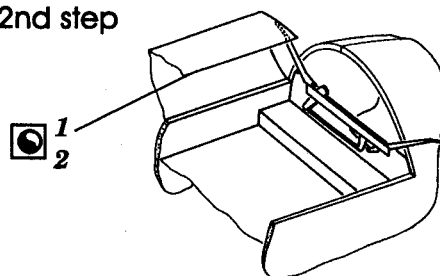


**D**

1st step



2nd step



Identically on rear bulkhead

