

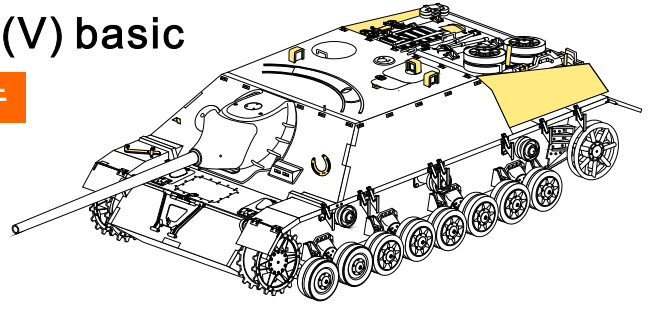
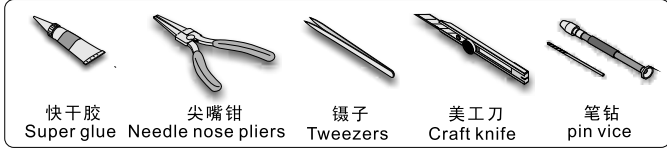
1/35 MILITARY MINIATURE VEHICLE UPGRADE SERIES PE35747

WWII German Jagdpanzer IV L/70(V) basic

二战德军IV号坦克歼击车L70/V Lang型改造件

[For TAMIYA 35340]

推荐使用工具 RECOMMENDED TOOLS



安装 install	折叠 bend	切除 remove	打磨 grind off	弧度卷曲 radial bending	填补 fill	用铜管制作 make from brass tube
B12 原零件编号 kit part number	选择安装 alternative	用胶棒制作 make from plastic rod	制作若干组 multiple assembly	钻孔 drill	扩孔 ream	
另一侧相同制作 repeat on opposite side	C22 被替换的原零件编号 replaced kit part number	A1 改造件零件编号 PE/resin part number	注意 caution			

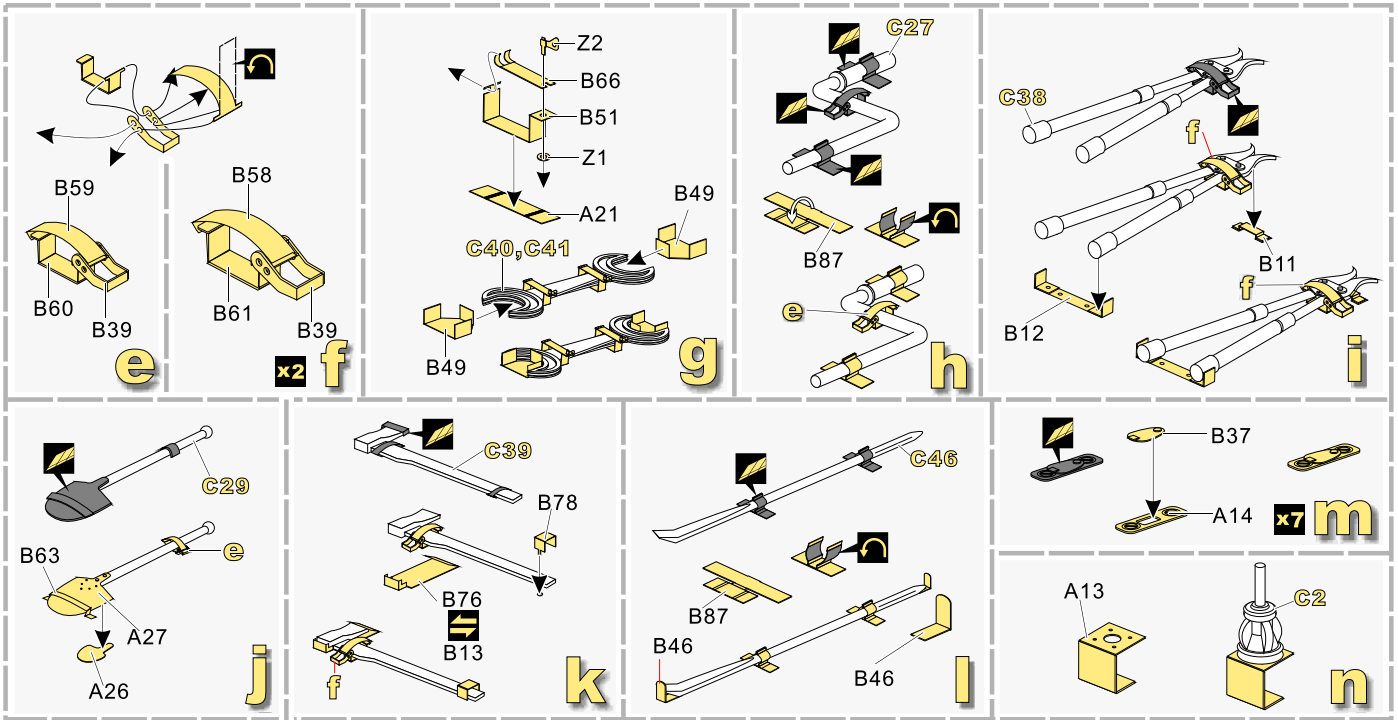
用尖端在凹槽处冲压
use penpoint to press on the dent

蚀刻片零件内侧面朝上
Put the part upside down

用笔尖在凹槽处刺
Use penpoint to press on the dent

制作线圈
make coil

1/35 MILITARY MINIATURE VEHICLE UPGRADE SERIES PE35747

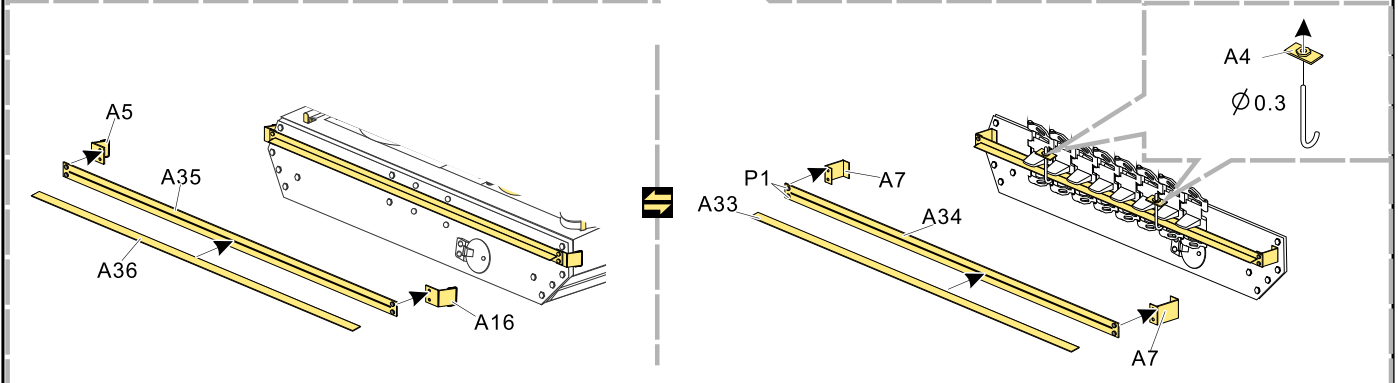
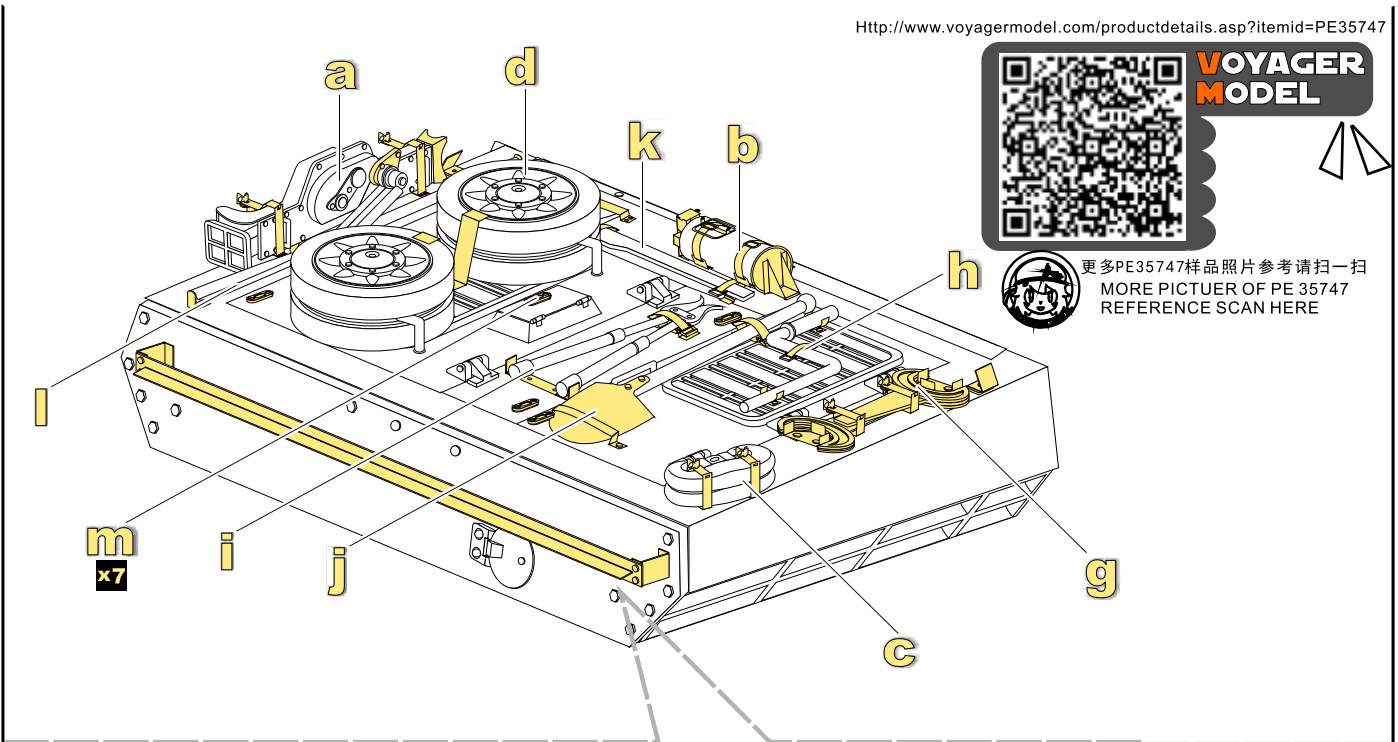


[Http://www.voyagermodel.com/productdetails.asp?itemid=PE35747](http://www.voyagermodel.com/productdetails.asp?itemid=PE35747)

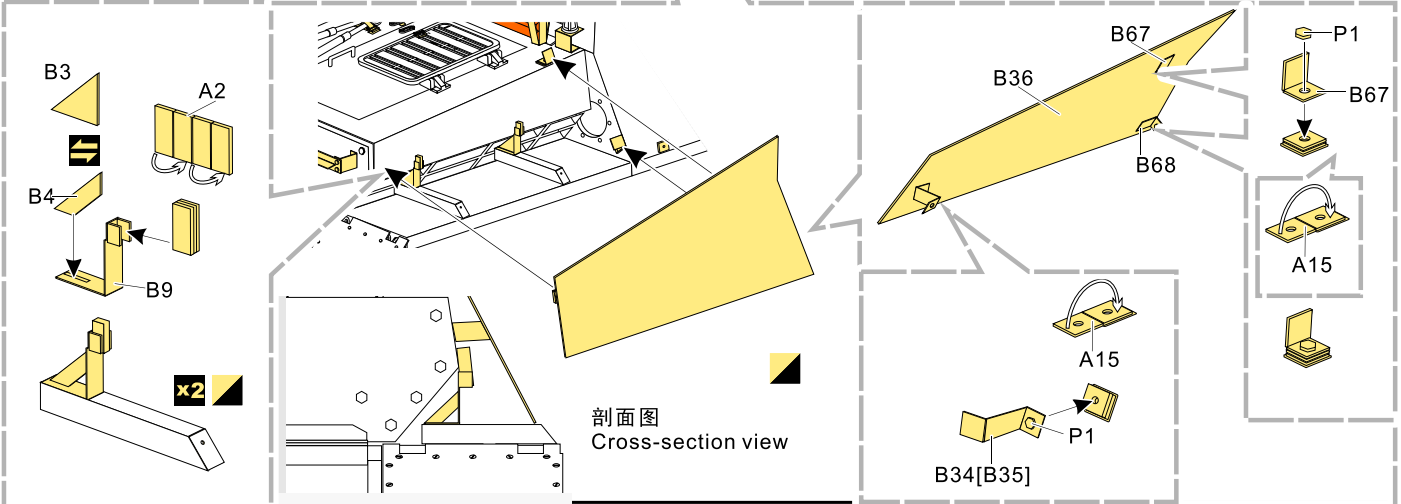
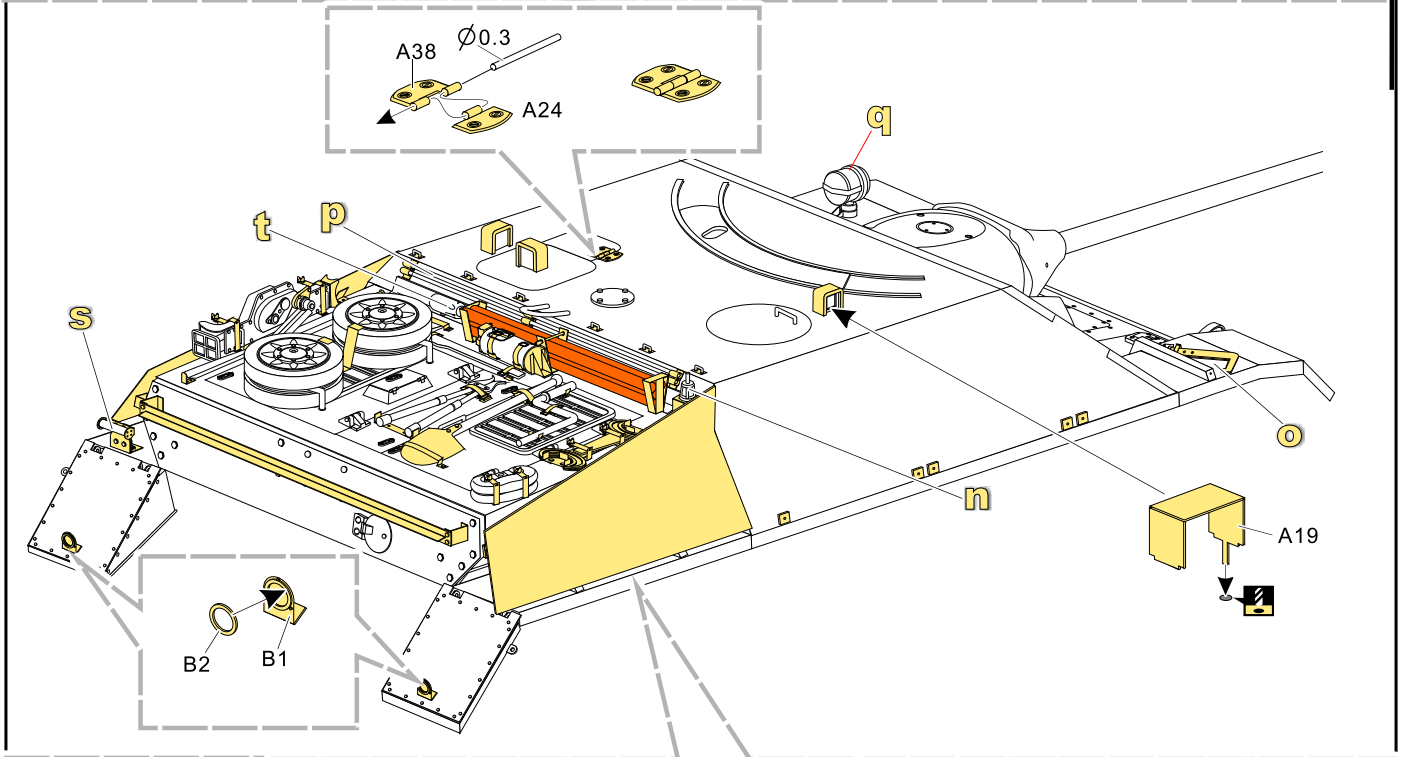
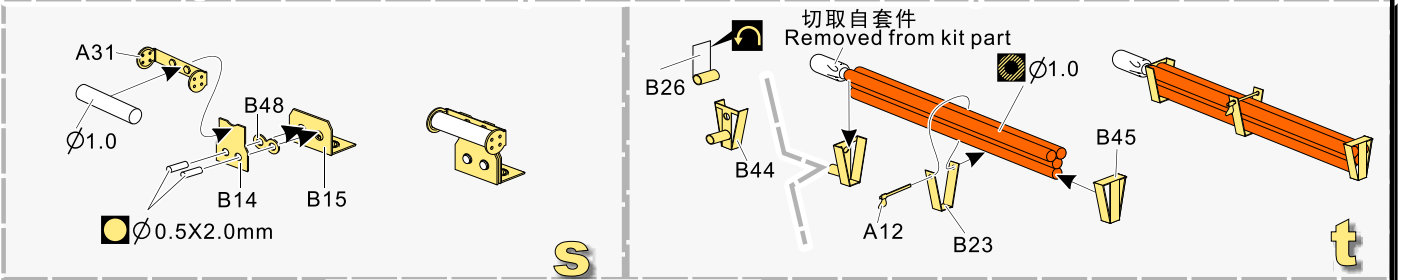
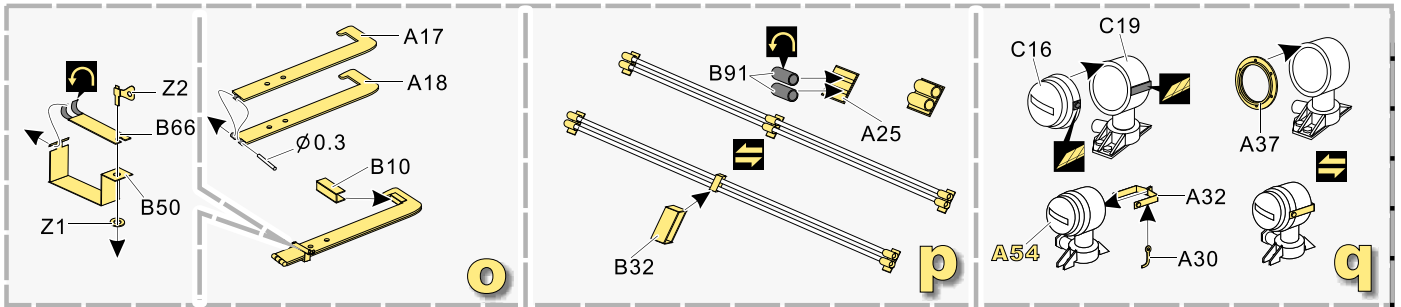


**VOYAGER
MODEL**

更多PE35747样品照片参考请扫一扫
MORE PICTUER OF PE 35747
REFERENCE SCAN HERE



1/35 MILITARY MINIATURE VEHICLE UPGRADE SERIES PE35747



1/35 MILITARY MINIATURE VEHICLE UPGRADE SERIES PE35747

U

A102, Z2, B66, B52, Z1

B77, G28

自制
Scratch build

A9

树脂件
Resin part

指挥型使用
Command version used

B17, B20, B18, B5

B22

B7

B88, B89

W **X**

B25, A11, B31, B30, $\varnothing 0.5$

B62, A1

B38, A4

y

B16, A16, B8, A3, B16, $\varnothing 0.3$

$\varnothing 0.5$

A23, A22

Z

70, 3, 392

aa

金属材料
Metal part

金属材料
Metal part

ab

B41, **X**

ab

y

B86

u

B69, A8

VOYAGERMODEL® 无微不至 纵享享受

Recommended item

VBS0149	WWII German Jagdpanzer family 75mm L/70 Barrel w/Mantlet
PE 35748	WWII German Jagdpanzer IV fenders
PEA358	WWII German Jagdpanzer IV Schurzen
PE 35340	WWII German Jagdpanzer IV L/70(V) basic
PE 35341	WWII German Jagdpanzer IV fenders
PE 35551	WWII Russian JS-1/JS-2/JS-2m basic
PE 35063	WWII German Jagdpanzer IV