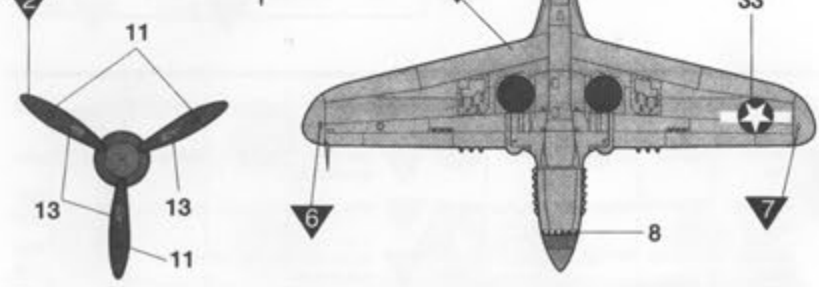
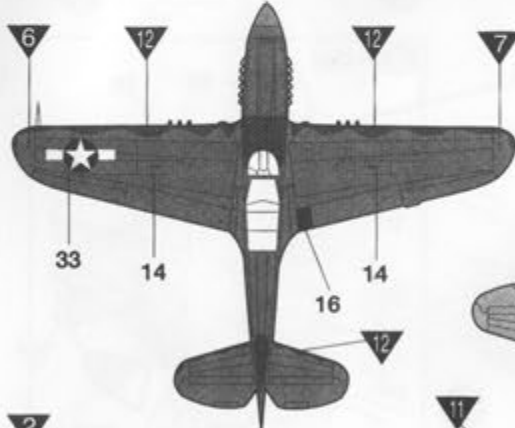
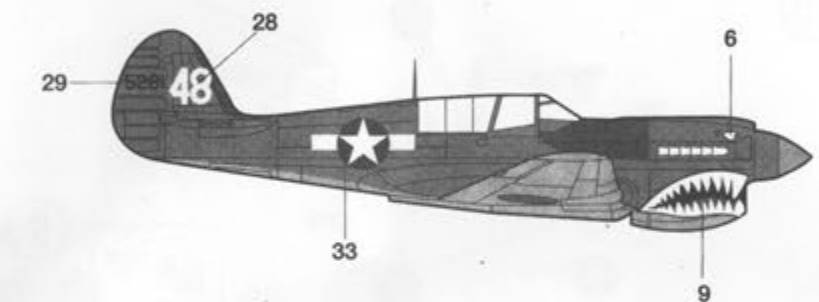
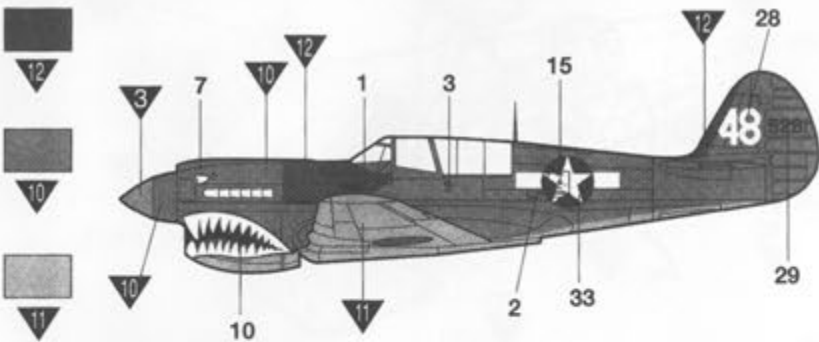


■ Painting & Decal placement 색칠 및 전사지 붙이기

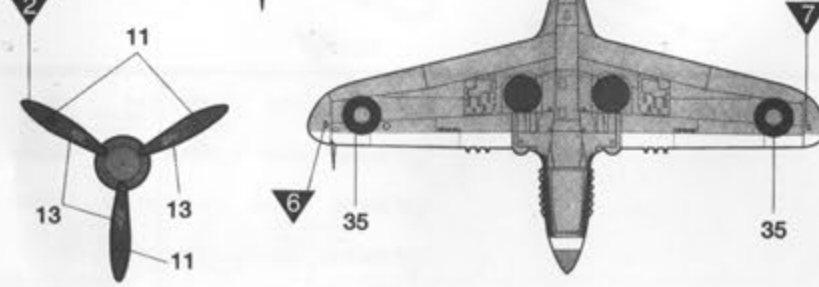
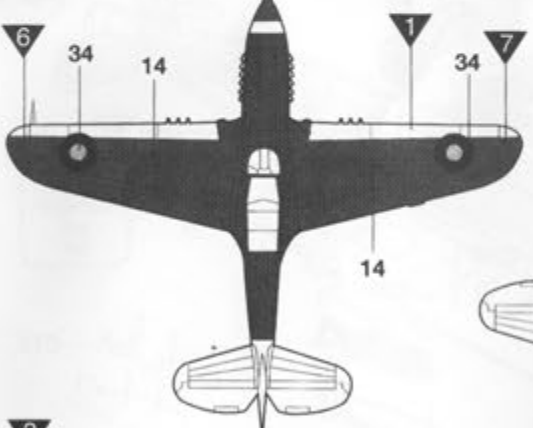
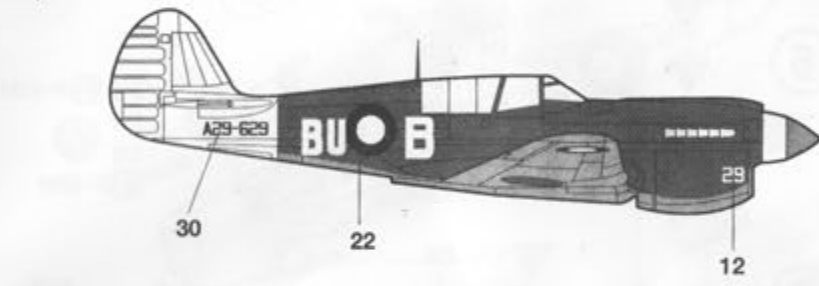
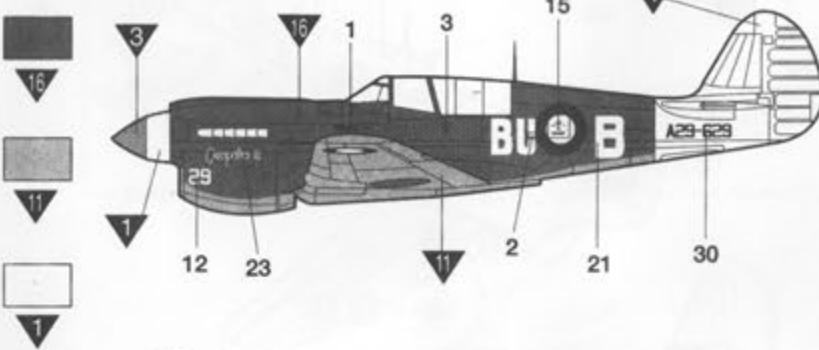
1 USAAF P-40N, 74th Squadron, Kweilin, China 1944

미국군 항공대 제74전투비행대 소속 P-40N, 1944년 중국 계림

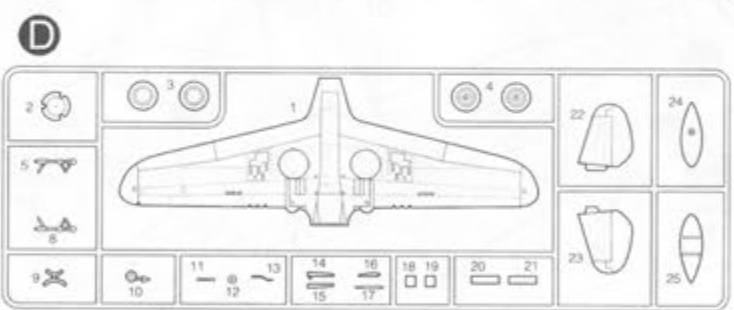
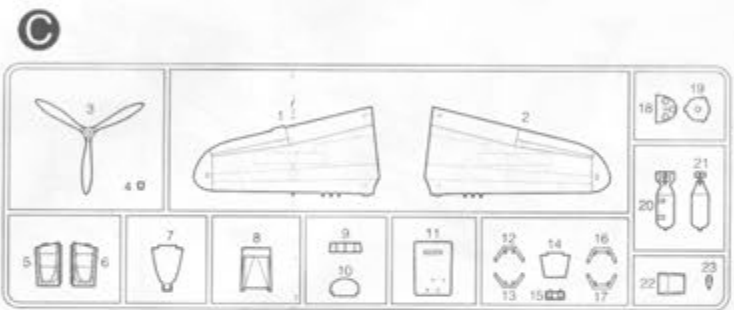
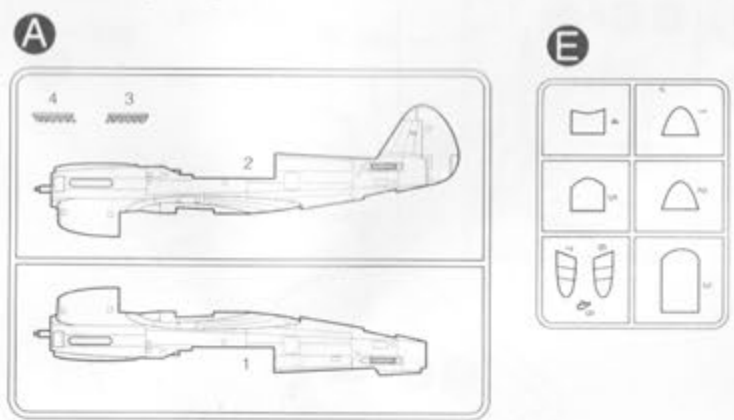


2 RAAF P-40N, Lt.Col.G.C. Atherton, No80 Squadron, New Guinea, 1945

오스트레일리아 공군소속 P-40N, 제80전투비행대 제프리 C. 에서튼 중령 탑승기, 1945년 뉴기니아



■ Parts Locating Diagram 부품도



■ Unused Parts 불필요부품 : C23, E2



12465

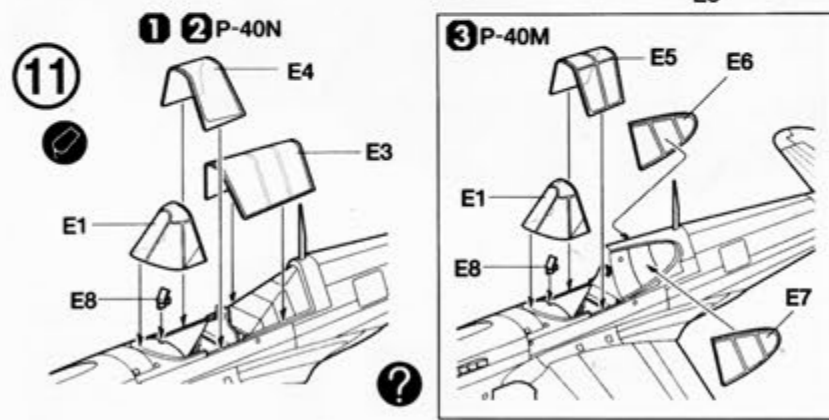
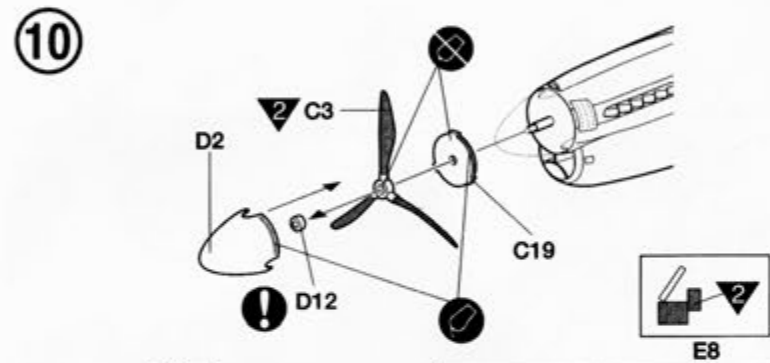
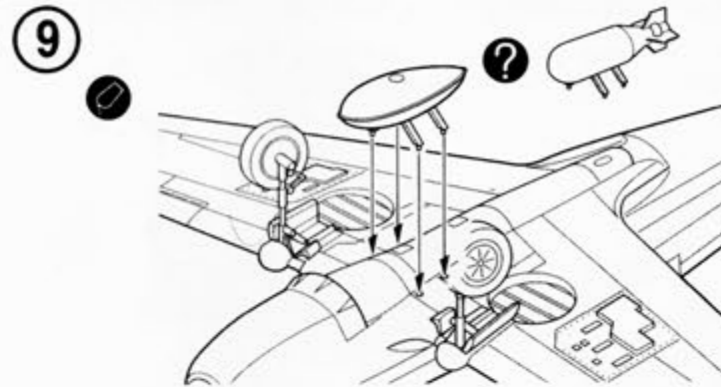
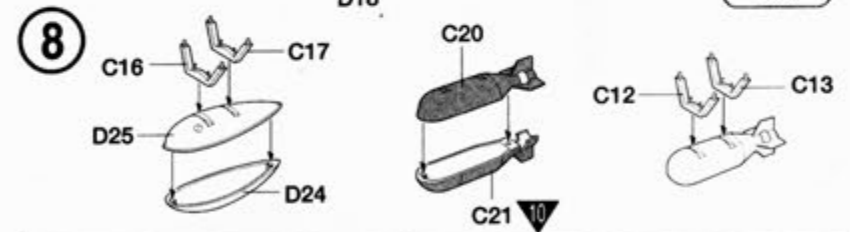
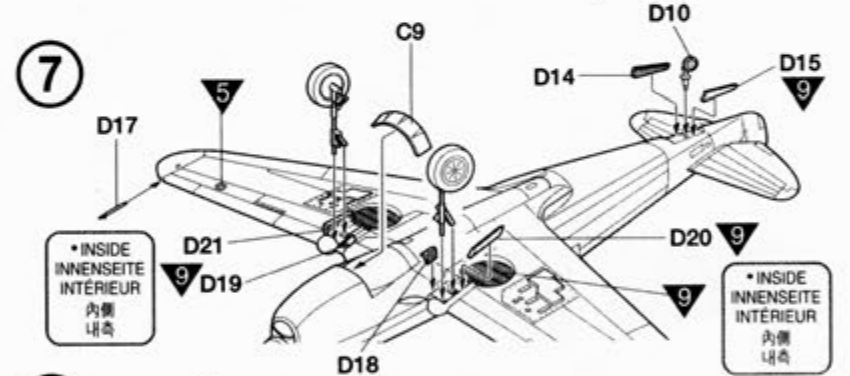
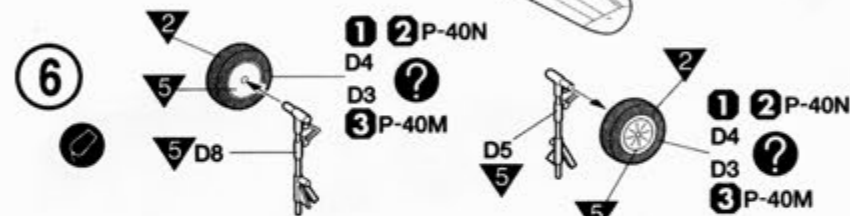
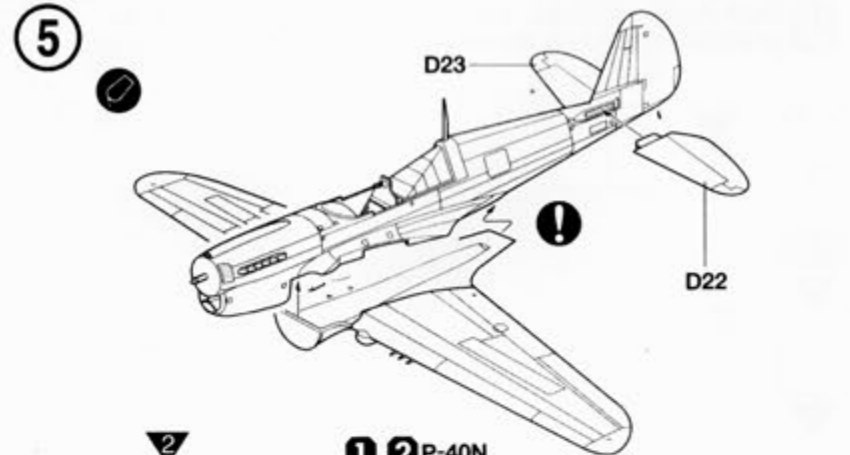
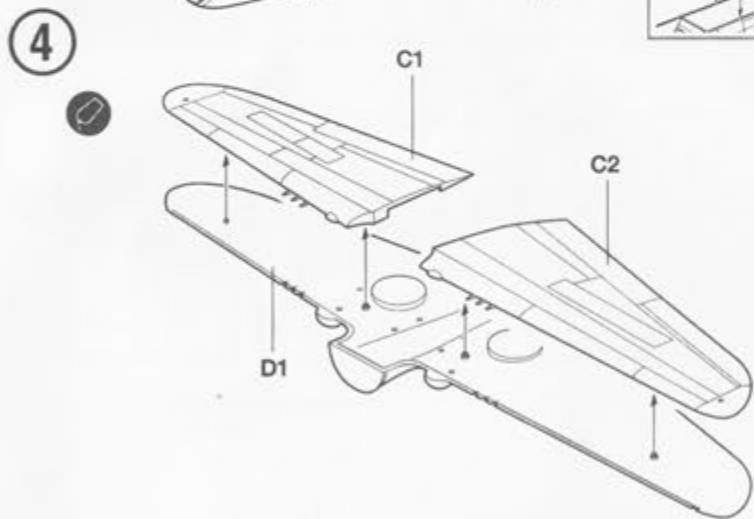
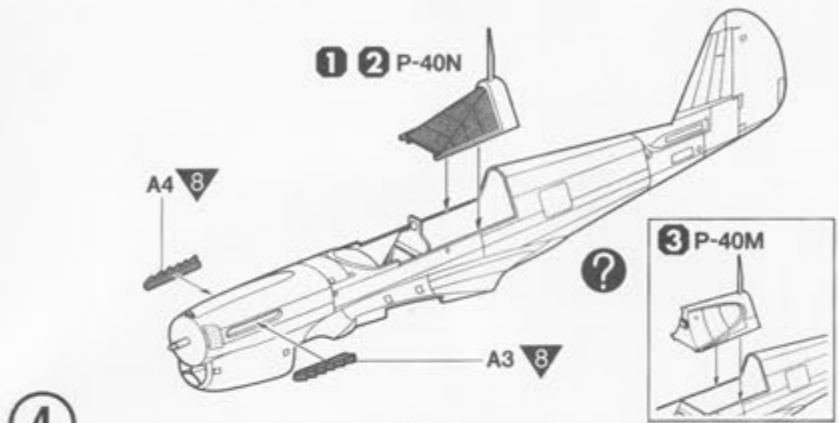
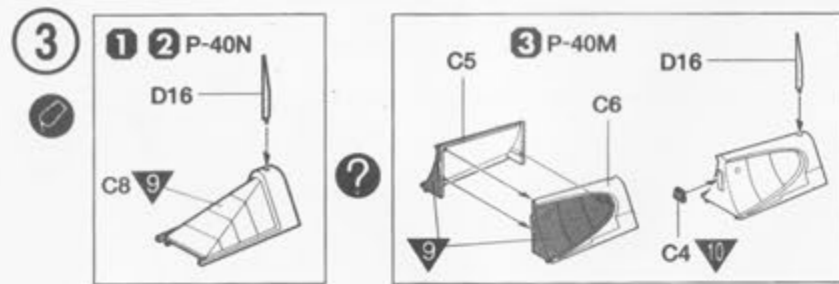
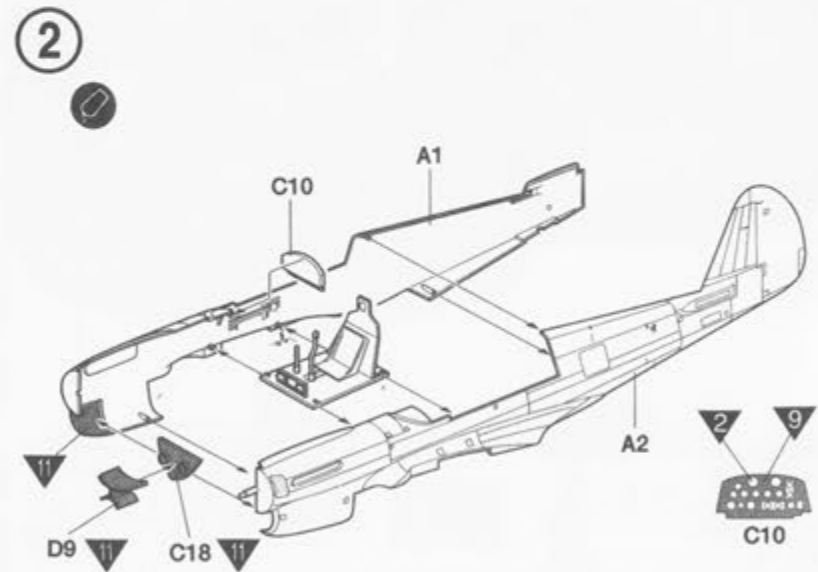
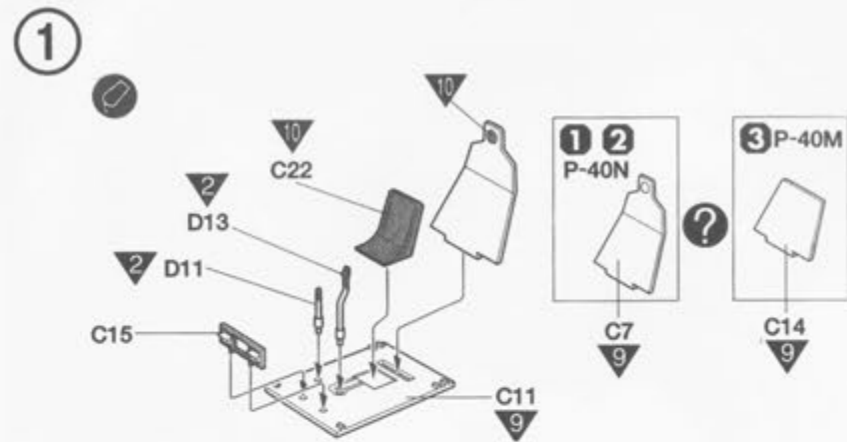
READ THIS BEFORE YOU BEGIN:
 Study the instructions before assembling. Check the fit of each piece before cementing any parts. Do not use too much cement to join parts. Never use cement of past use when joining. Clean up surplus or excess cement with water before it sets. Do not use cement on plastic. Turn up and then away the empty plastic bags to avoid danger of suffocation for the children.

ALLGEMEINE HINWEISE:
 Die Anweisung der Bauteile ist vor dem Zusammenbau der Bauteile zu lesen. Die Teile vor dem Zusammenbau sorgfältig untersuchen, um den richtigen Sitz zu prüfen. Verwenden Sie nicht zu viel Klebstoff. Verwenden Sie nie Klebstoff, der schon einmal verwendet wurde. Reinigen Sie überschüssigen Klebstoff mit Wasser, bevor er trocknet. Verwenden Sie keinen Klebstoff auf Kunststoff. Drehen Sie die leeren Kunststoffbeutchen nach oben und weg von den Kindern, um das Erstickungsrisiko zu vermeiden.

조립하기 전에
 조립을 하기 전에 설명서를 꼭 읽어 주십시오. 부품의 끼임 여부를 확인하십시오. 조립할 때 너무 많은 접착제를 사용하지 마십시오. 접착제를 사용한 후 남은 접착제를 꼭 닦아 주십시오. 접착제를 사용한 후 남은 접착제를 꼭 닦아 주십시오. 접착제를 사용한 후 남은 접착제를 꼭 닦아 주십시오. 접착제를 사용한 후 남은 접착제를 꼭 닦아 주십시오. 접착제를 사용한 후 남은 접착제를 꼭 닦아 주십시오.

주의 WARNING!

- Before starting to assemble, read the instruction manual very carefully to understand well everything of the instructions.
- When cutting a part off from the plastic, check the part number again and use paper tool such as paper to cut it clean. Take care not to be hurt in case of working with it cut or torn parts.
- Never put small parts in the mouth to avoid any danger of suffocation by accidentally swallowed ones. Never let children less than 3 years old have it to avoid any danger of being it.
- The product may have some protruding parts for functions reasons, and take care of handling it always.
- After cutting a part off from plastic, this it clearly to assemble and the wastes should be properly sorted or disposed.
- Plastic bags packed with the product and parts should be disposed in a proper place irrespectively to keep out of children to avoid any danger of suffocation by pulling it over their or putting it over their.
- Always using suitable colors or cement, open windows to have the room well ventilated and do not use near fire or candle. After using them, keep in a proper place out of children.



1 接着剤 Glue Colle Kleber	2 接着剤を 塗らない Do not use glue Ne pas coller Nicht kleben Nicht versetzen Nicht versetzen	3 3箇所 3 locations 3 Stellen 3 Stellen	★ 星印 Star Étoile Sternchen
削り Sharpen Affûter Schärfen	? 不明 Unknown Unbekannt Unklar	→ 反対側 Opposite side Opposite Gegenseite	ピン Pin Nagel Nagel

9 9箇所 9 locations 9 Stellen 9 Stellen	コップ Cup Tasse Tasse	
! 注意 Attention Aufmerksamkeit Vorsicht	↑ 上向き Upward Aufwärts Aufwärts	

1 WHITE	白	BLANC	ホワイト	白	5 SILVER	SILBER	ARGENT	シルバー	銀
2 FLAT BLACK	黒	WASSERSCHWARZ	ブラック	黒	6 CLEAR RED	ROUGE CLAIR	ROUGE CLAIR	クリアレッド	クリアレッド
3 RED	赤	ROT	レッド	赤	7 CLEAR BLUE	BLAU CLAIR	BLEU CLAIR	クリアブルー	クリアブルー
4 YELLOW	黄	GELB	イエロー	黄	8 METALLIC GRAY	METALLORAU	GRIS METAL	メタリックグレイ	メタリック

9 INTERIOR GREEN	INNEN GRÜN	VERT INTERIEUR	インテリアグリーン	13 MIDDLE STONE	TEIGRAU MITTEL	GRIS PÉTRÉ MOYEN	ミッドストーン
10 OLIVE DRAB	BRÄUNLICH	VERT OLIVE	オリーブドラブ	14 DARK EARTH	ERDBRAUN	TERRE FONCÉE	ダークアース
11 NEUTRAL GRAY	NEUTRAL GRAY	NEUTRAL GRAY	ニュートラルグレイ	15 RAF LIGHT BLUE	RAF HELL BLAU	BLEU CLAIR RAF	RAF ライトブルー
12 DARK GREEN	DUNKEL GRÜN	VERT FONCÉ	ダークグリーン	16 RAF DARK GREEN	RAF DUNKEL GRÜN	VERT FONCÉ	RAF ダークグリーン

ACADEMY

HOBBY MODEL KITS

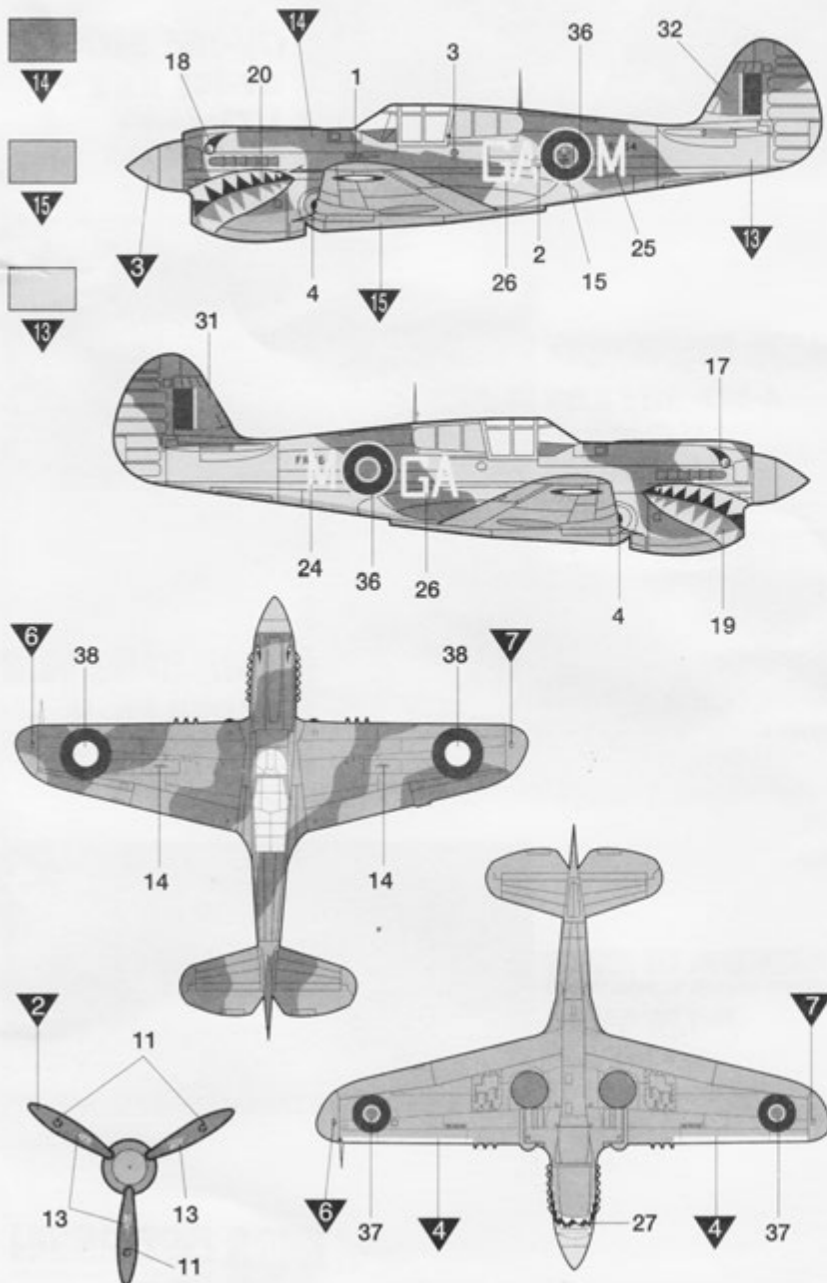
P-40M/N WARHAWK

1/72nd SCALE

#1668/FA171

Painting & Decal placement 색칠 및 전사지 붙이기**3** RAF P-40M, No112 Squadron, Sicily, 1943

영국공군 제112전투비행대 소속 P-40M, 1943년 시실리



ACADEMY AIRCRAFT SERIES

**OV-10A BRONCO**

OV-10A 브롱코

1/72nd scale

1665/FA165

**A-37B DRAGONFLY**

A-37B 드래곤플라이

1/72nd scale

1663/FA163

**HAWKER TYPHOON Mk. IB**

호커 타이폰 Mk. IB

1/72nd scale

1664/FA164

**FIESELER FI. 156 STORCH
/MORANE SAULNIER MS 500502 CRIQUET**

Fi-156 슈토르히

1/72nd scale

1661/FA163

ACADEMY
HOBBY MODEL KITS**ACADEMY**
ACADEMY PLASTIC MODEL CO., LTD.
521-1, Yongpyeong-Dong, Songpa-Gu, Seoul 152-800, Korea
279-222-9141, 949-483-7336