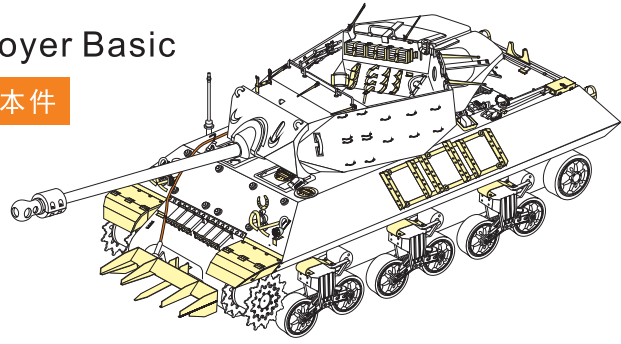


1/35 MILITARY MINIATURE VEHICLE UPGRADE SERIES PE351067

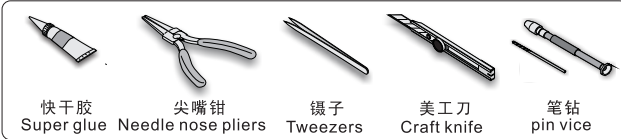
WWII US M10 IIC Achilles tank destroyer Basic

二战美军M10 IIC 阿奇里斯 坦克歼击车改造基本件














[For AFV CLUB 35039]




■ 推荐使用工具 RECOMMENDED TOOLS

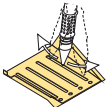
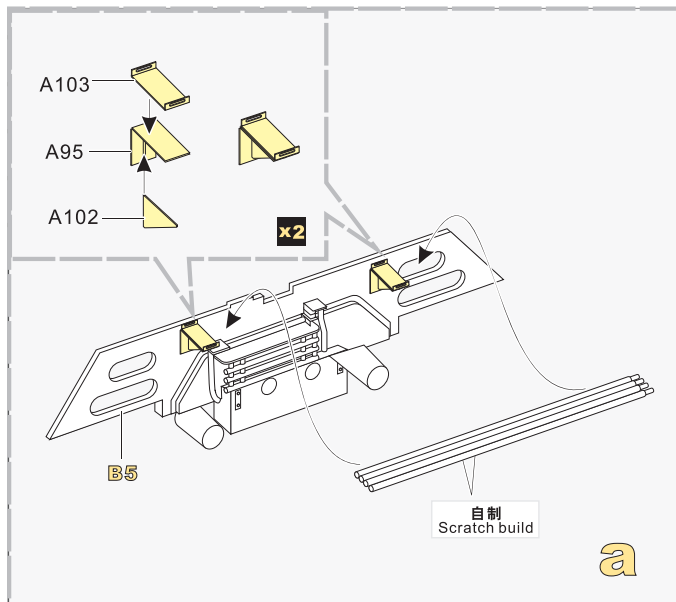


快干胶 Super glue 尖嘴钳 Needle nose pliers 镊子 Tweezers 美工刀 Craft knife 笔钻 pin vice

- 
安装
install
- 
折叠
bend
- 
A1
改造件零件编号
PE/resin part number
- 
B12
原零件编号
kit part number
- 
C22
被替换的原零件编号
replaced kit part number
- 
另一侧相同制作
repeat on opposite side
- 
切除
remove
- 
打磨
grind off
- 
弧度卷曲
radial bending
- 
制作若干组
multiple assembly
- 
选择安装
alternative
- 
钻孔
drill
- 
用胶棒制作
make from plastic rod


用尖端在凹槽处冲压
use penpoint to press on the dent

蚀刻片零件内侧面向上
Put the part upside down
 用笔尖在凹槽处刷
Use penpoint to press on the dent

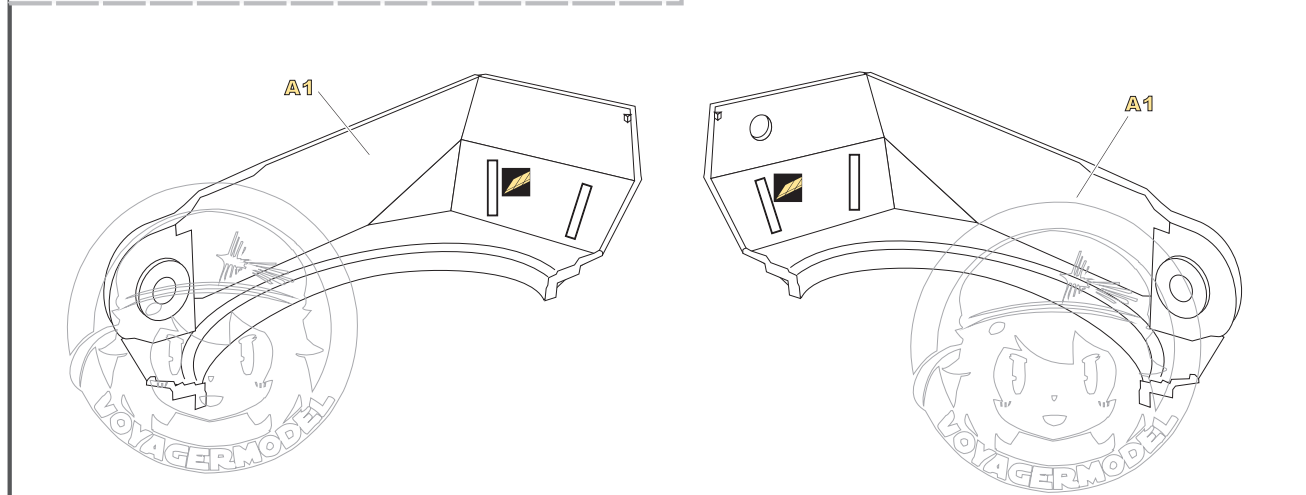
[Http://www.voyagermodel.com/productdetails.asp?itemid=PE351067](http://www.voyagermodel.com/productdetails.asp?itemid=PE351067)



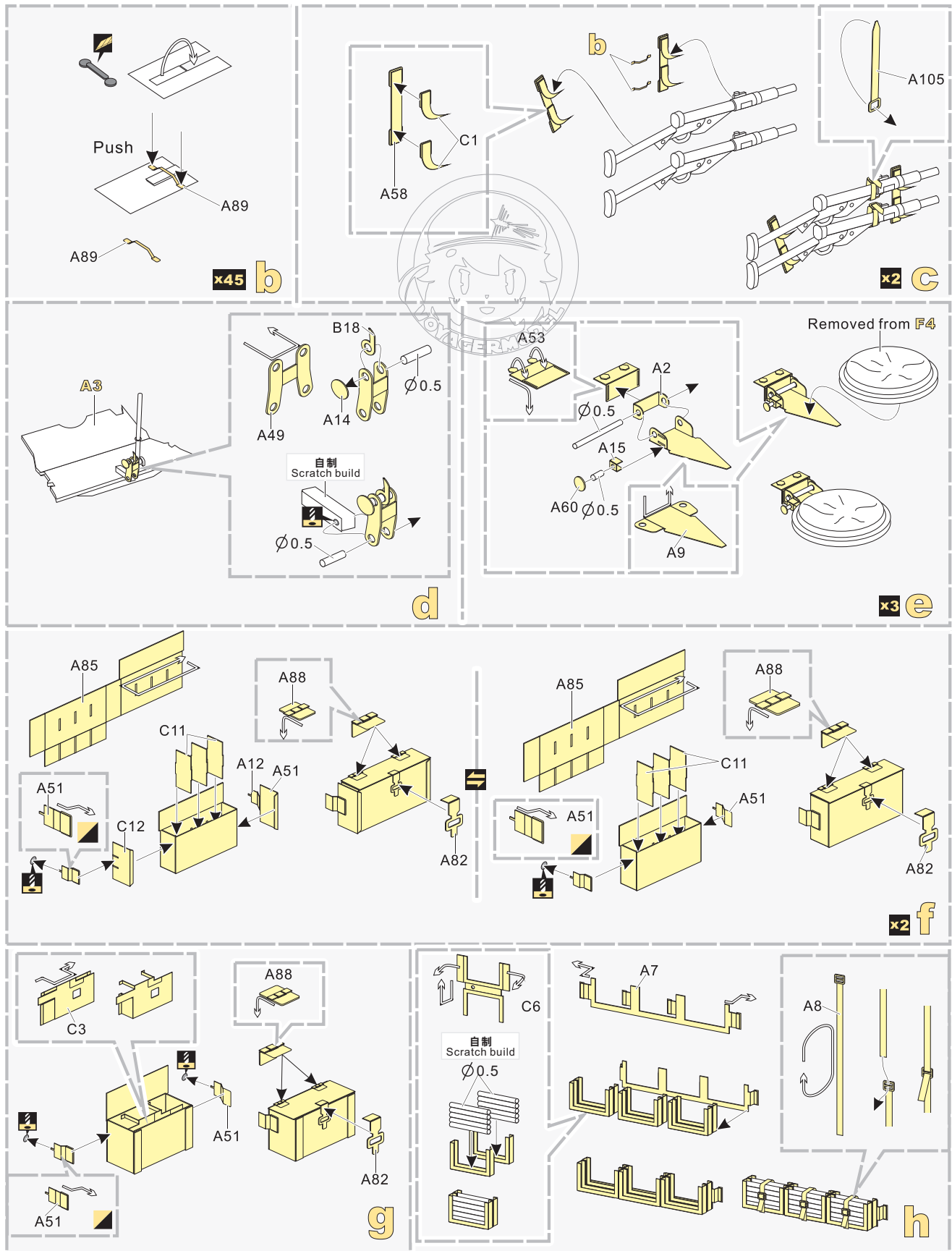
**VOYAGER
MODEL**



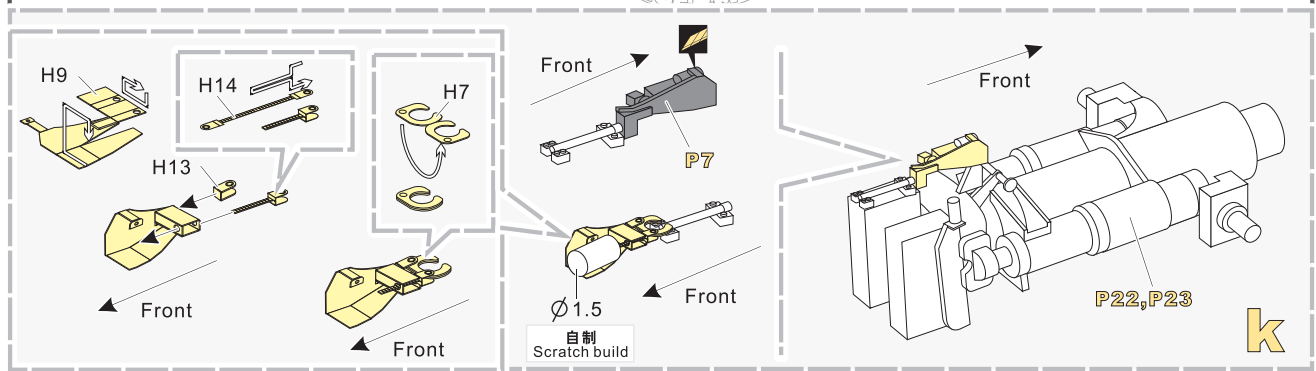
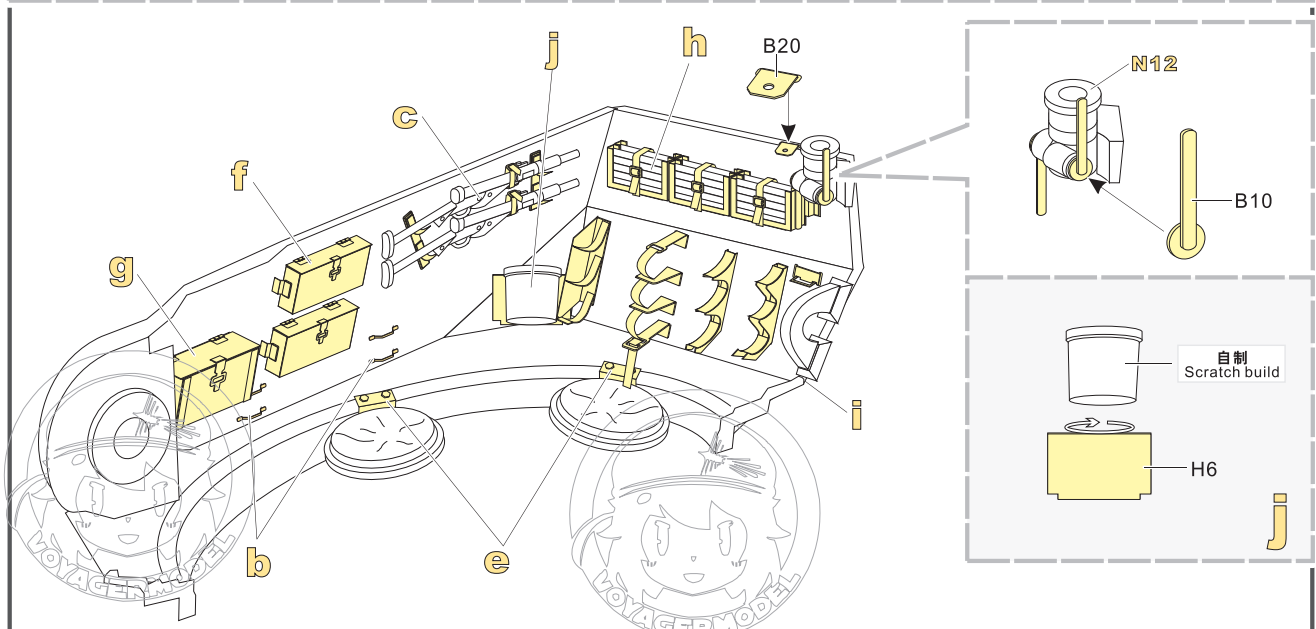
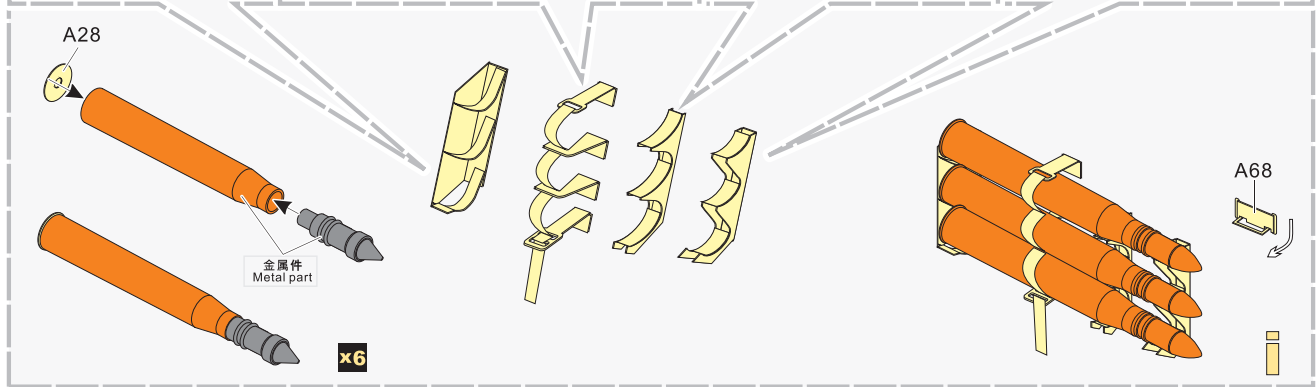
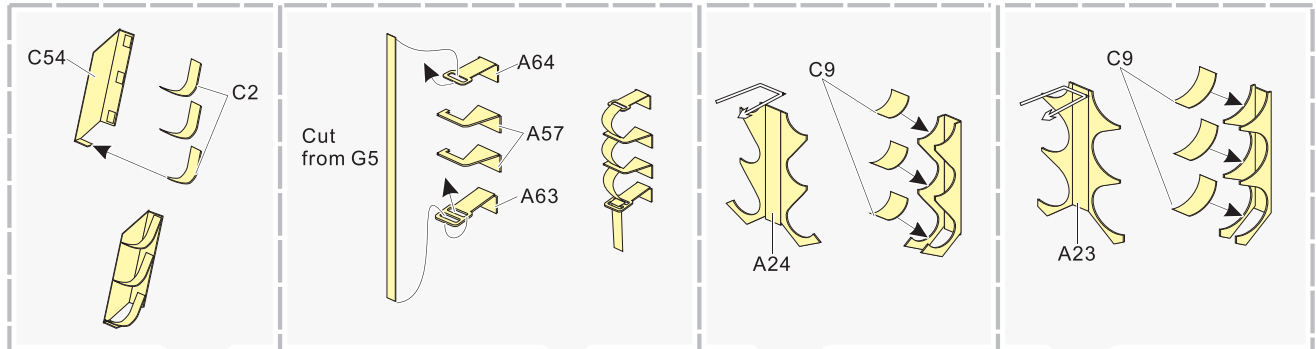
更多PE351067样品照片参考请扫一扫
MORE PICTUER OF PE 351067
REFERENCE SCAN HERE



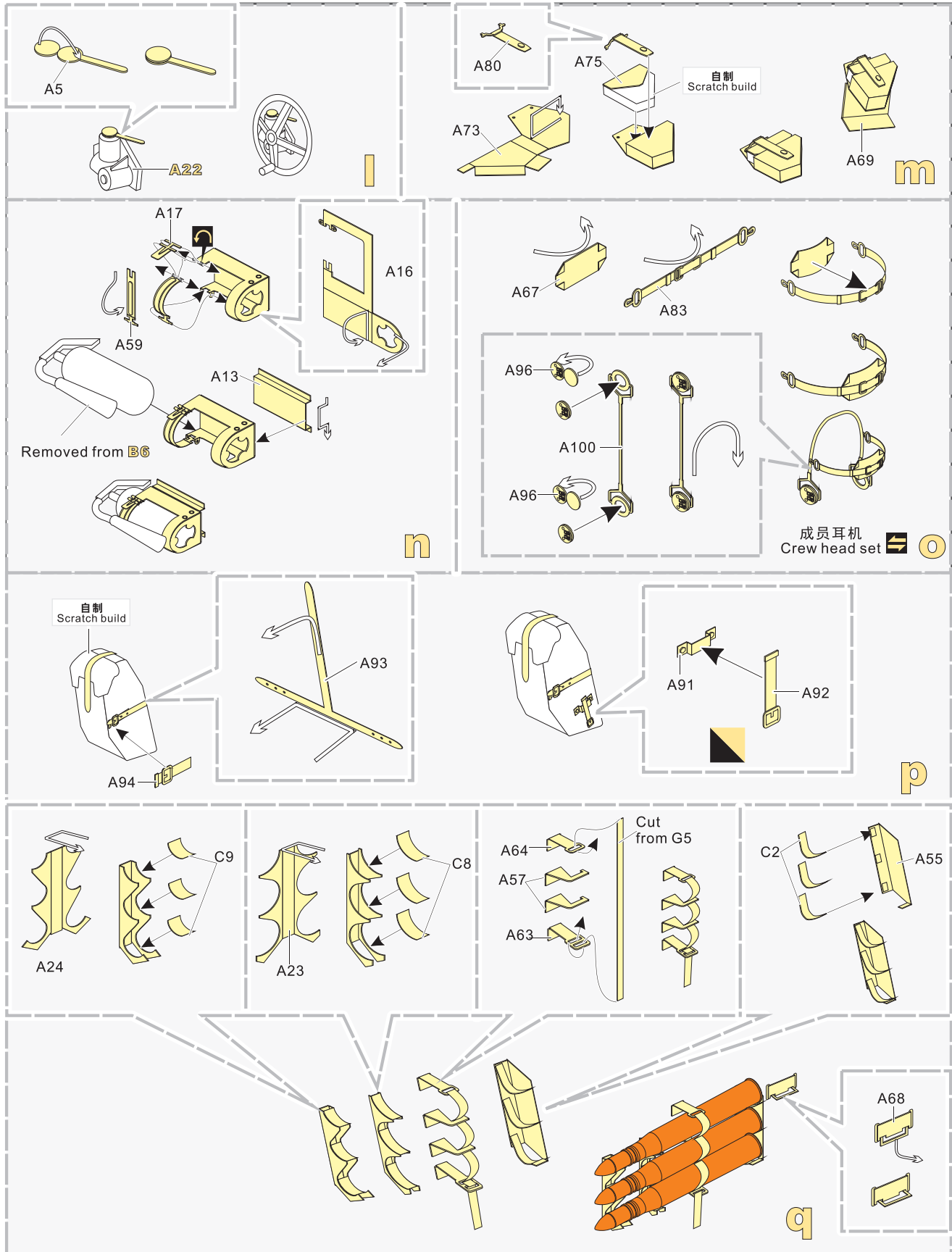
1/35 MILITARY MINIATURE VEHICLE UPGRADE SERIES PE351067



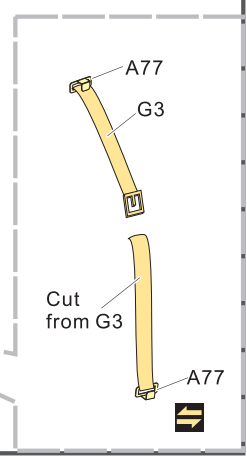
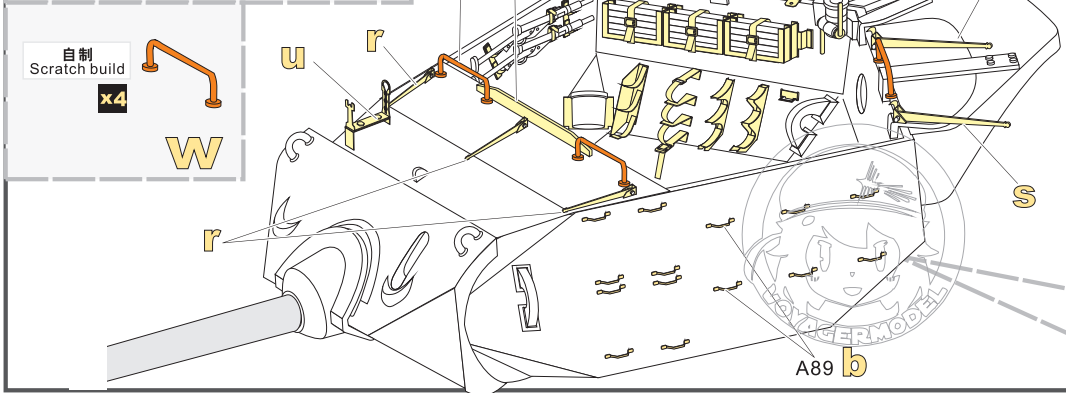
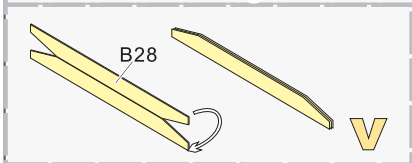
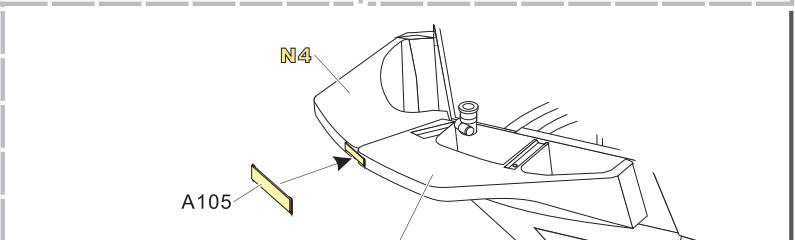
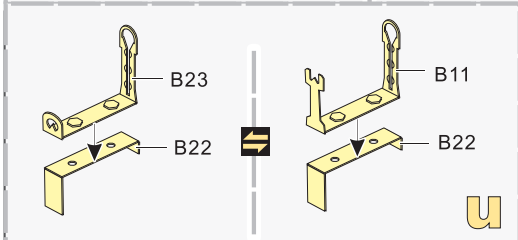
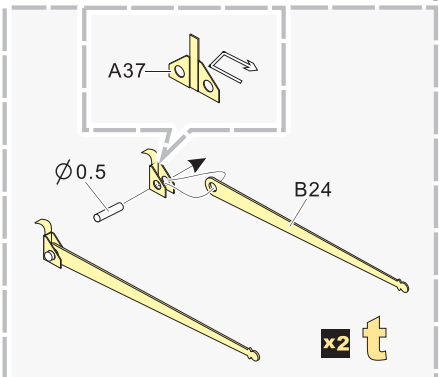
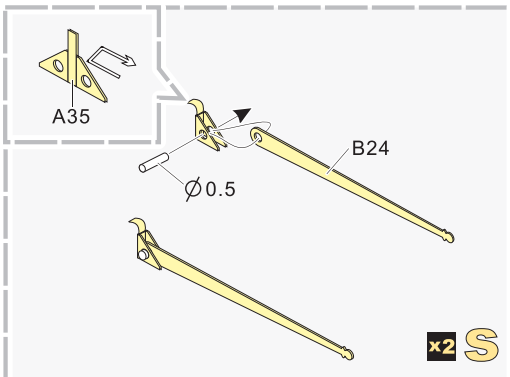
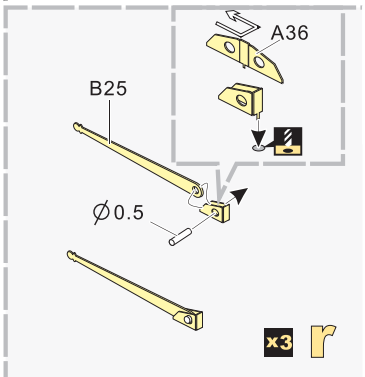
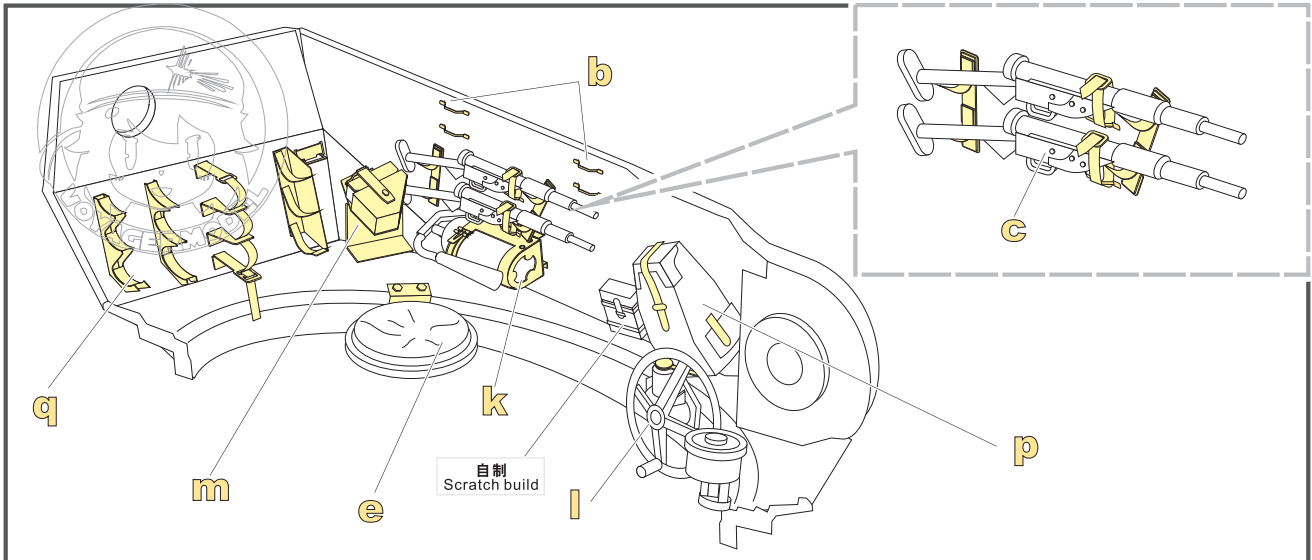
1/35 MILITARY MINIATURE VEHICLE UPGRADE SERIES PE351067



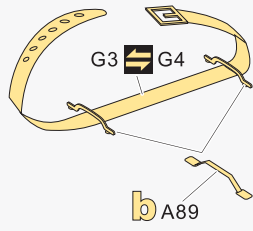
1/35 MILITARY MINIATURE VEHICLE UPGRADE SERIES PE351067



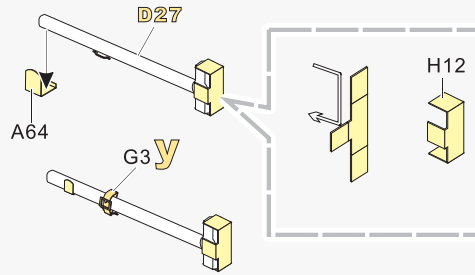
1/35 MILITARY MINIATURE VEHICLE UPGRADE SERIES PE351067



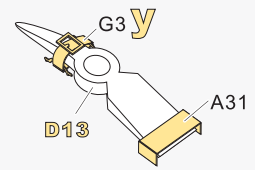
1/35 MILITARY MINIATURE VEHICLE UPGRADE SERIES PE351067



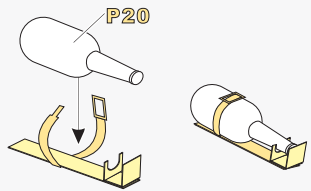
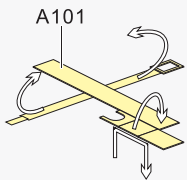
y



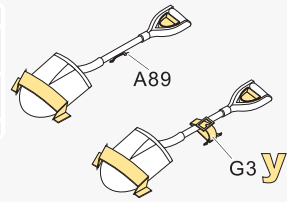
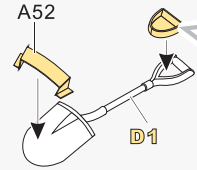
z



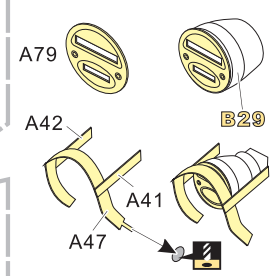
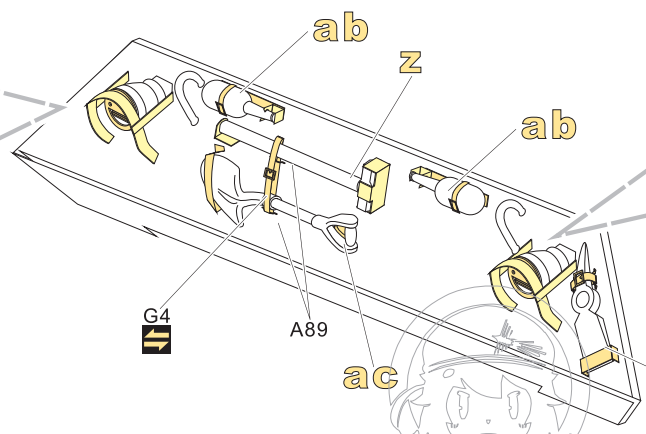
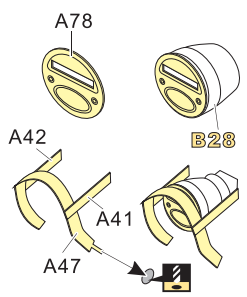
aa



x2 ab



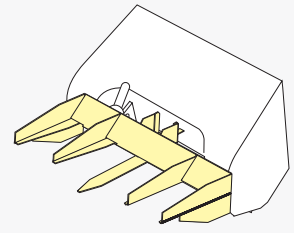
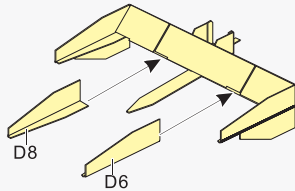
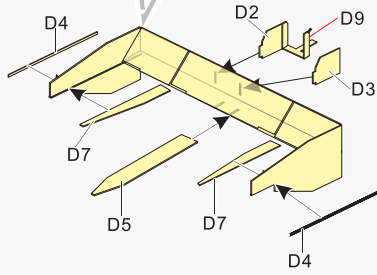
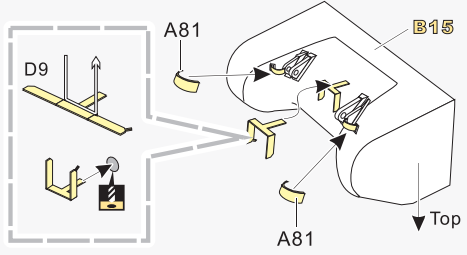
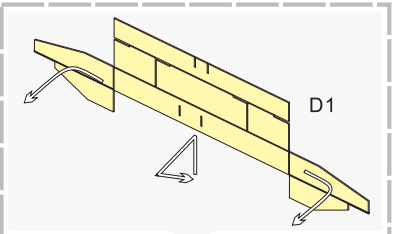
ac



G4

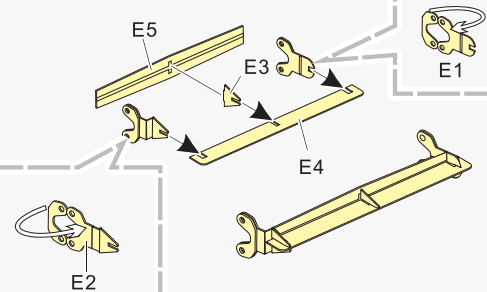
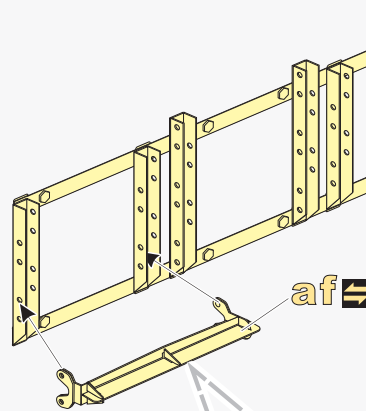
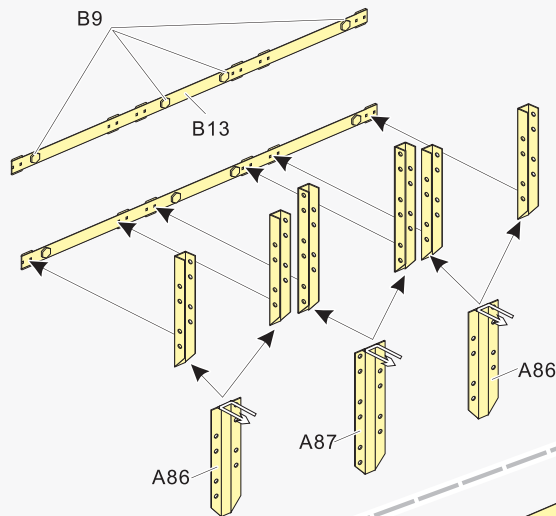
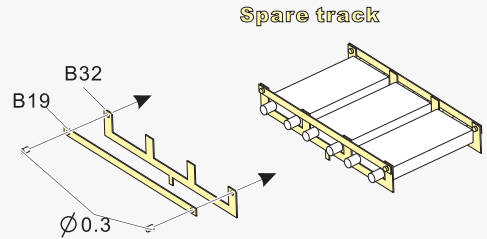
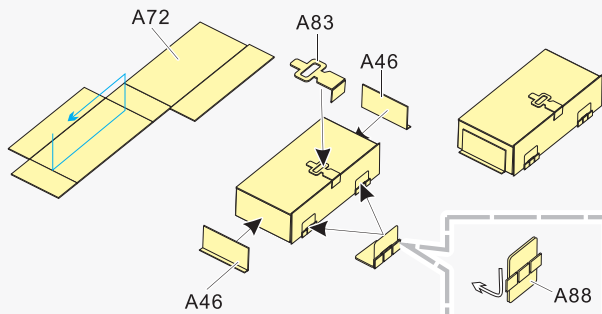
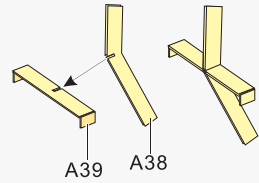
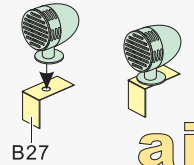
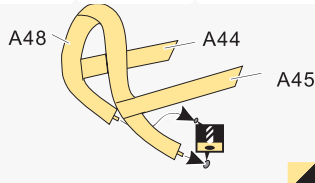
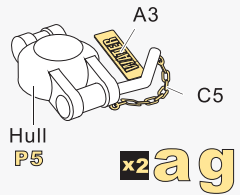
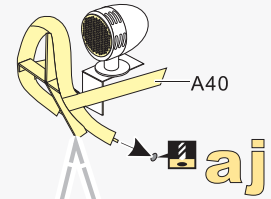
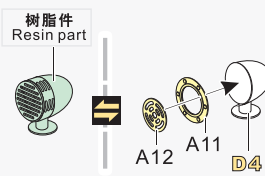
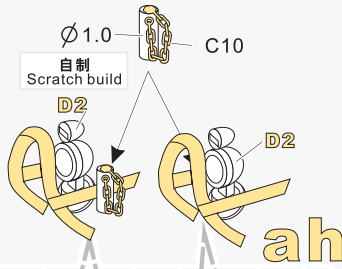
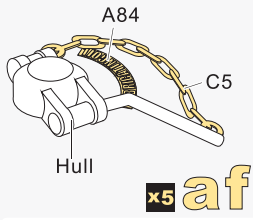
ac

aa

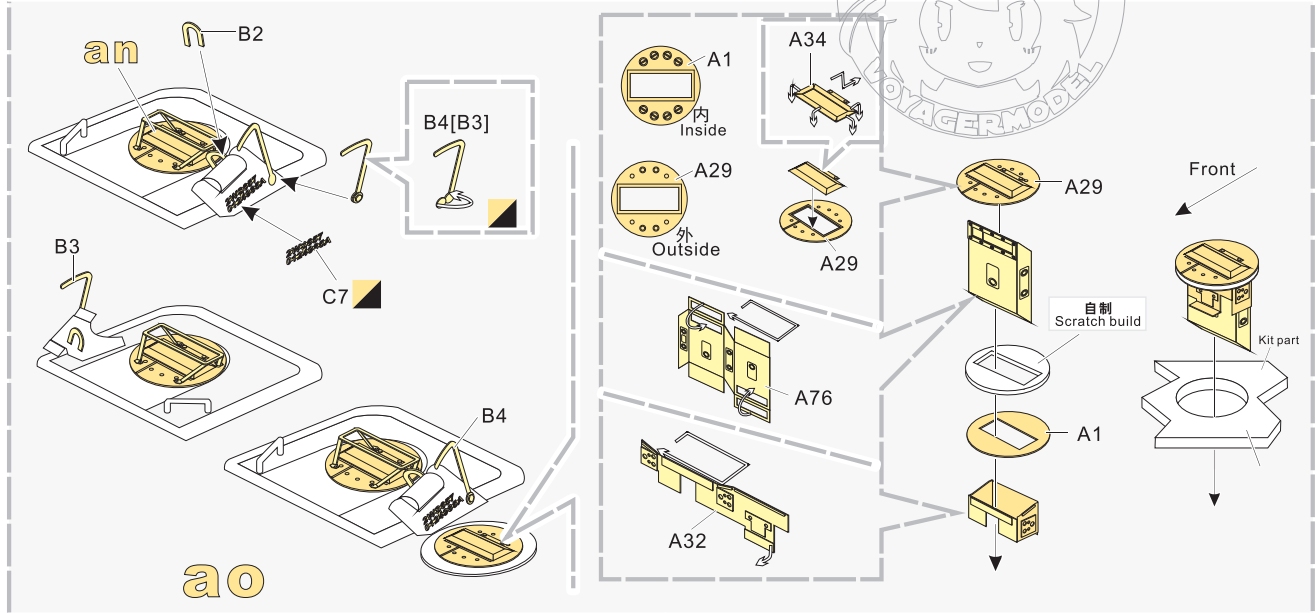
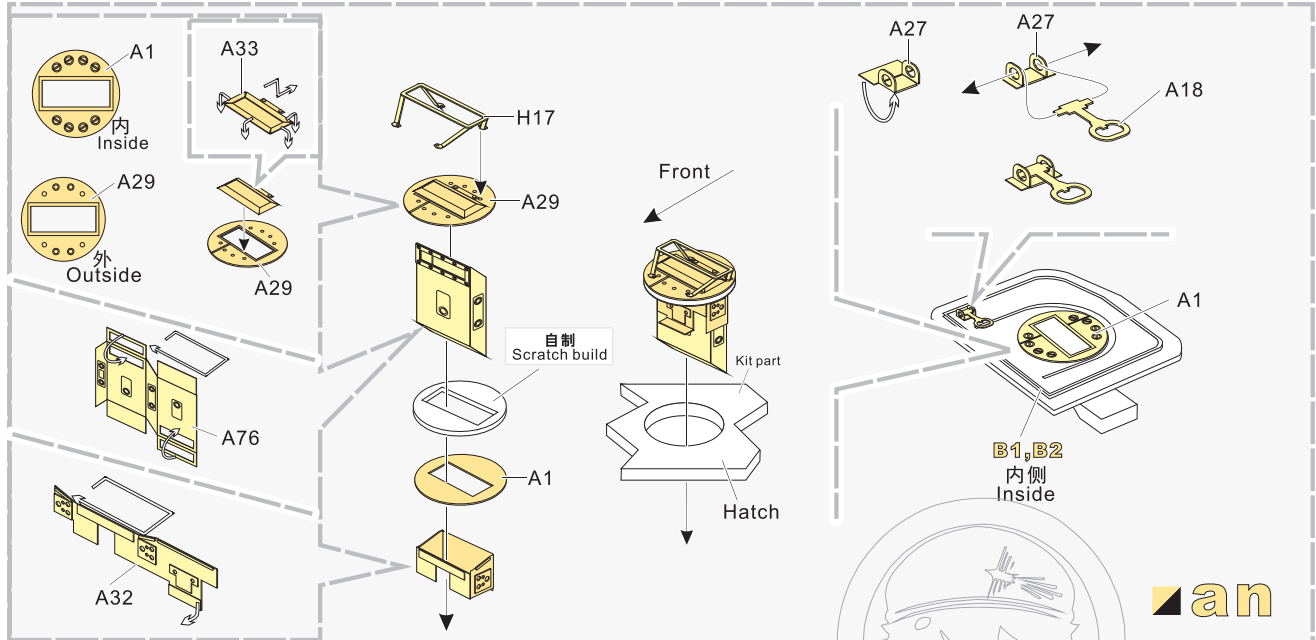


ae

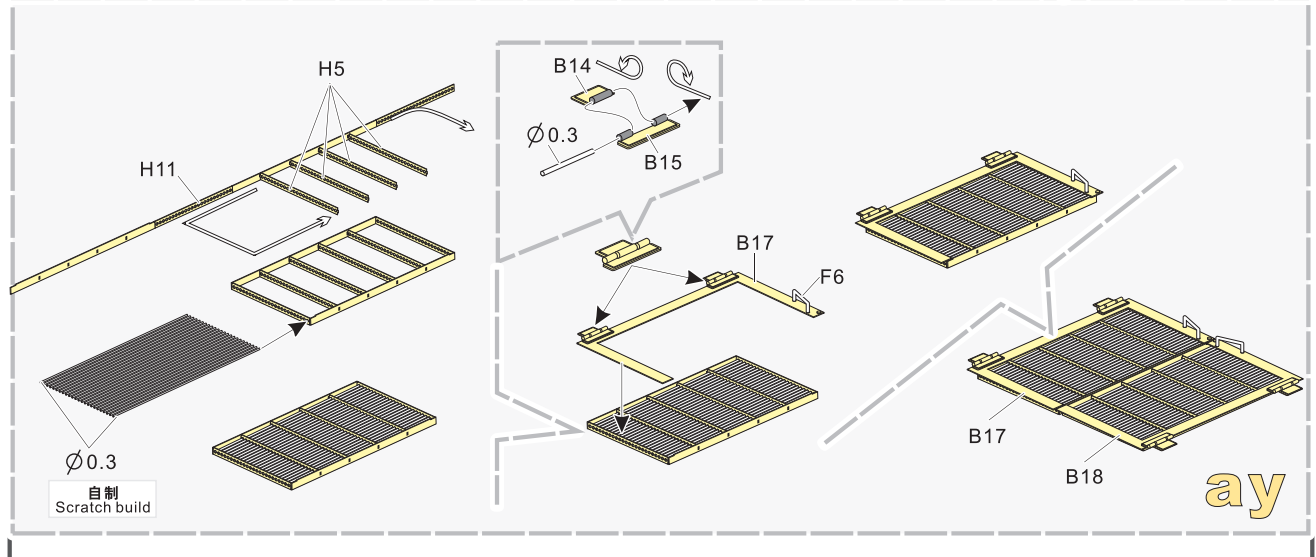
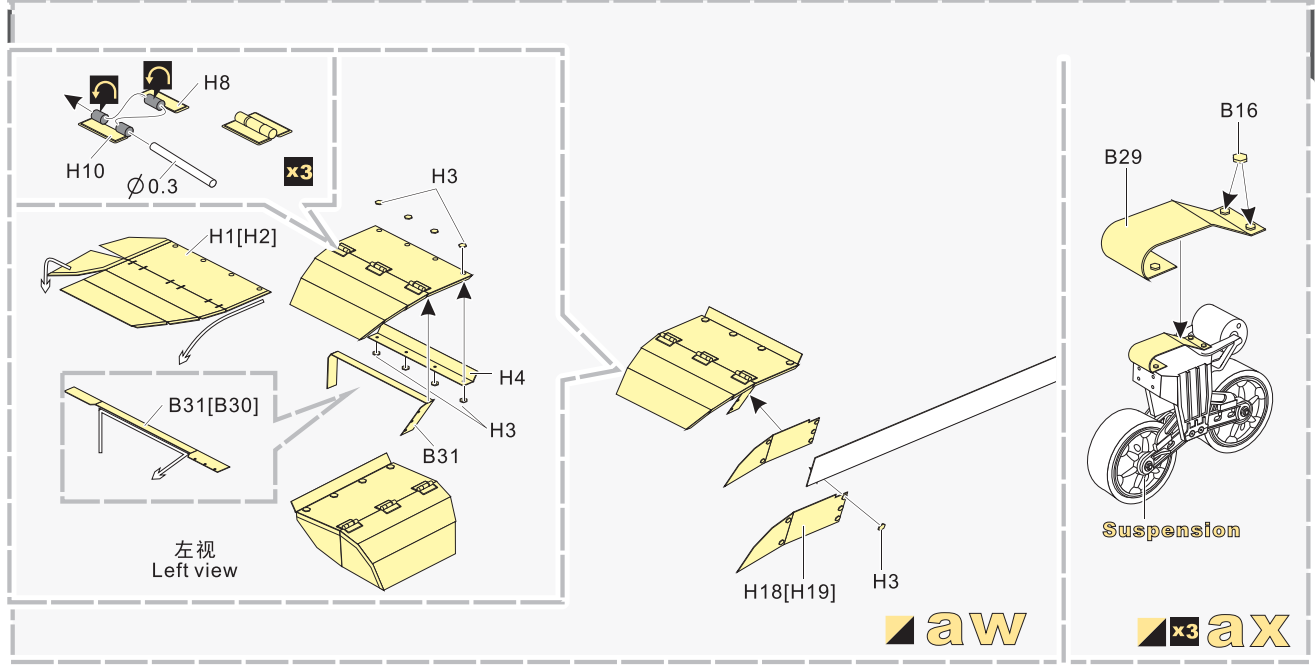
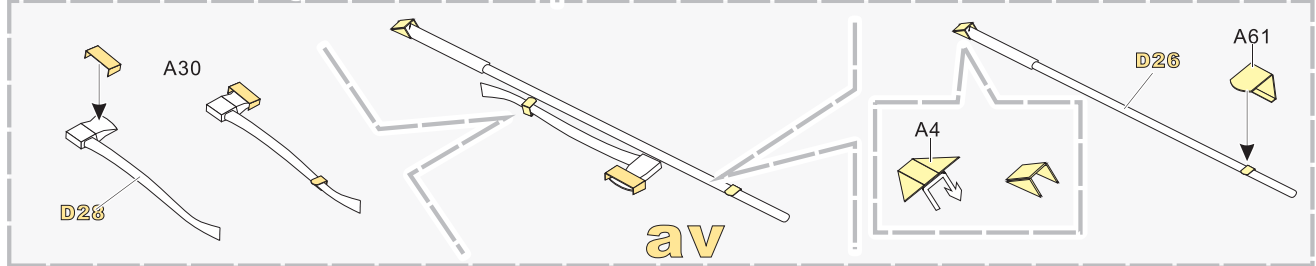
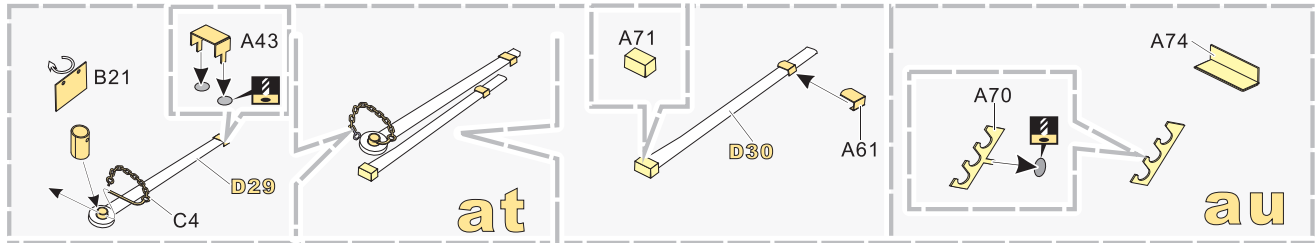
1/35 MILITARY MINIATURE VEHICLE UPGRADE SERIES PE351067



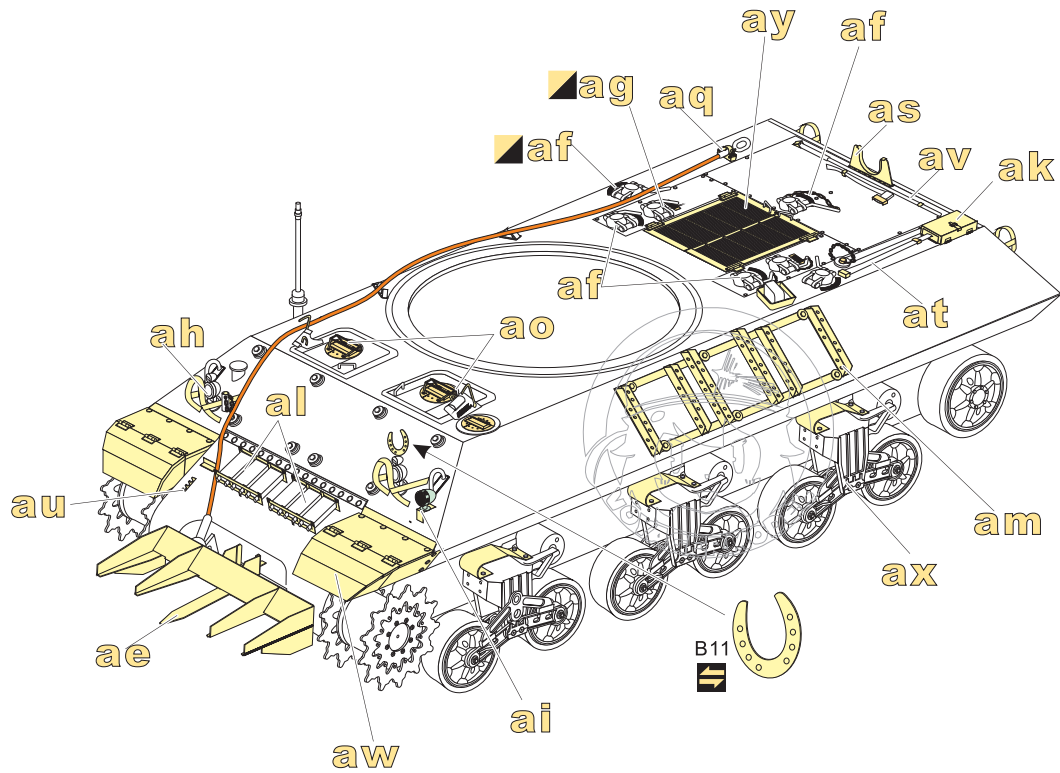
1/35 MILITARY MINIATURE VEHICLE UPGRADE SERIES PE351067



1/35 MILITARY MINIATURE VEHICLE UPGRADE SERIES PE351067

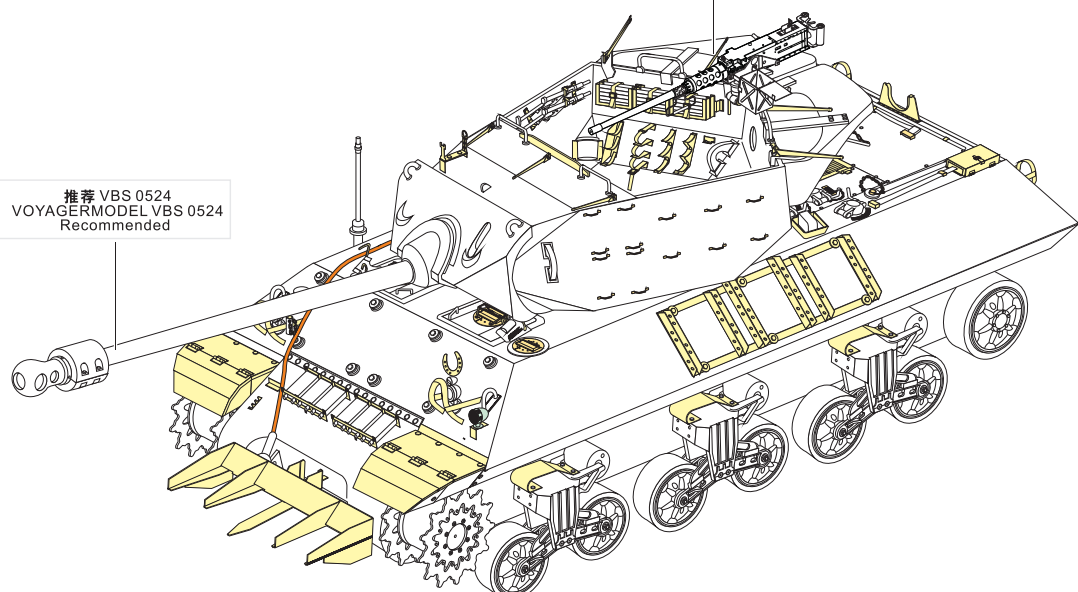


1/35 MILITARY MINIATURE VEHICLE UPGRADE SERIES PE351067



推荐 VBS 0219
VOYAGERMODEL VBS 0215
Recommended

推荐 VBS 0524
VOYAGERMODEL VBS 0524
Recommended



VOYAGERMODEL[®] 无限不至 极致享受
The Best Upgrade Solution

Recommended item

VBS 0524	WWII British M10 IIC Achilles 17pdr Gun Barrel set
VBS 0215	WWII US Vehicle Mounted M2 Browning Machine Gun Patten 2
VBS 0317	WWII British 17pdr Gun Ammunition
VBS 0318	WWII British 17pdr Gun Ammunition cartridge
PEA 395	WWII US Army Sherman Culin Rhino
PE 35354	WWII US M10 tank destroyer Basic (Antenna base include)
PE 35856	WWII US M10 tank destroyer Basic (Gun barrel , Antenna base include)