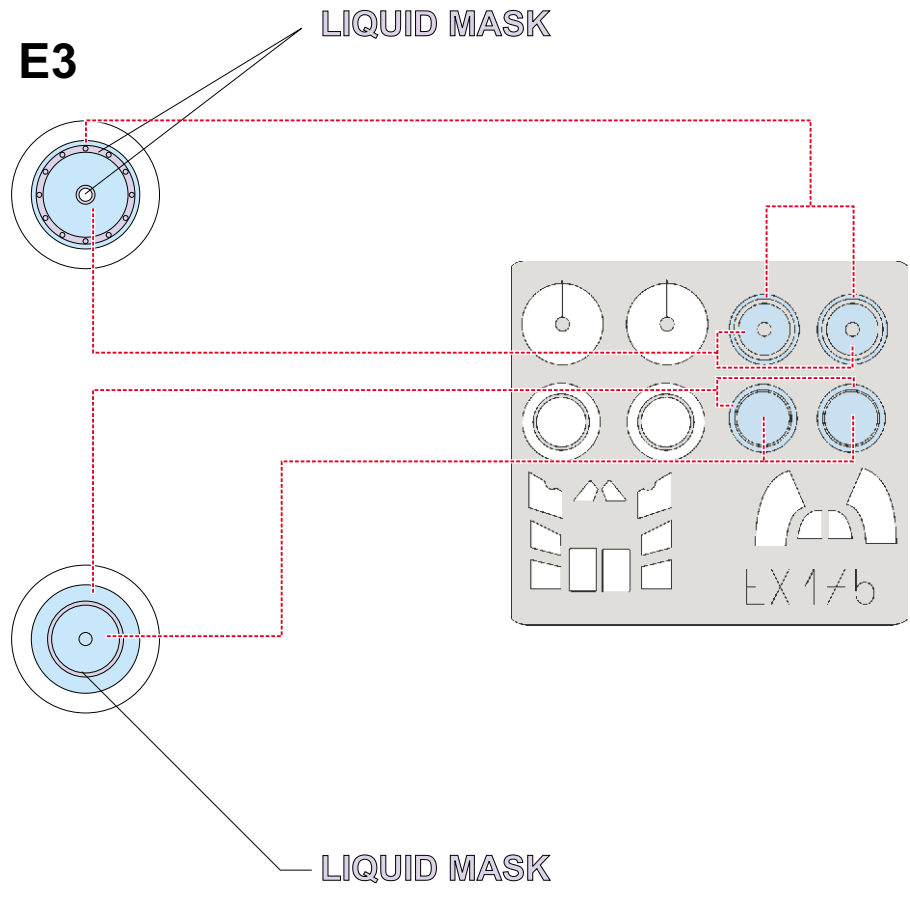
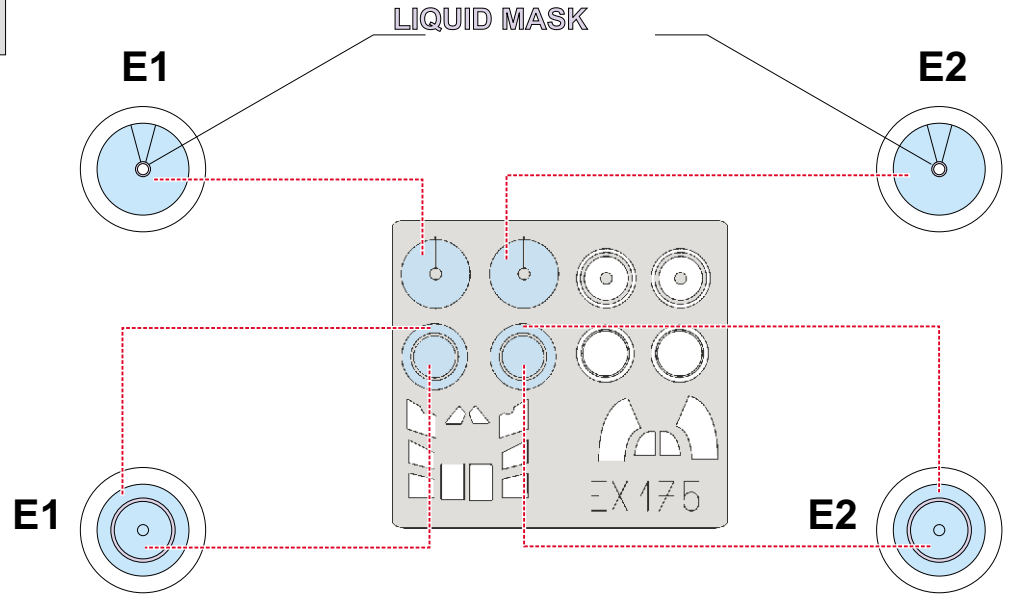
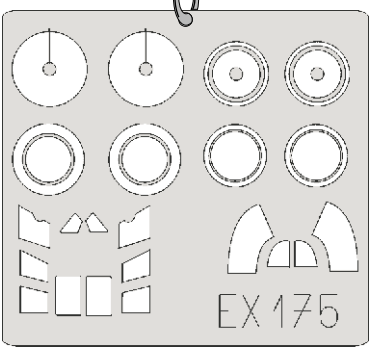


eduard  
MASK

# I-16 Rata 1/48

The die-cut mask for accurate canopy frame painting of the  
*Hobbycraft* scale 1/48 KIT

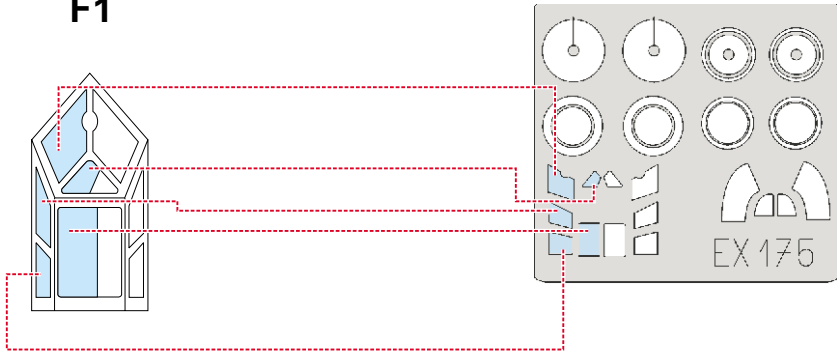
EX 175



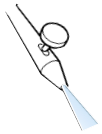
**REFERENCES:**  
SQUADRON / SIGNAL  
AIRCRAFT #162  
REPLIC #85 / 1998

1.)

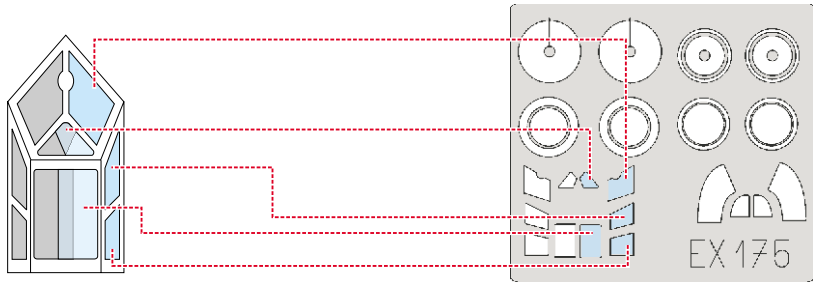
F1



2.)

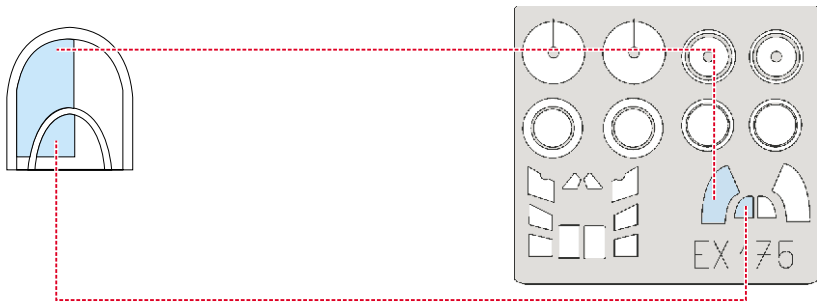


F1



1.)

F2



2.)



F2

