

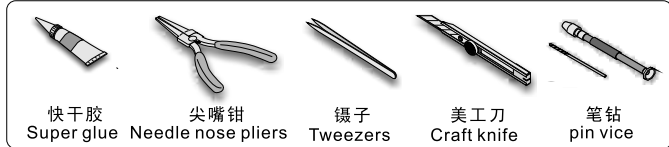
1/35 MILITARY MINIATURE VEHICLE UPGRADE SERIES PE35745

Modern US M-ATV MRAP

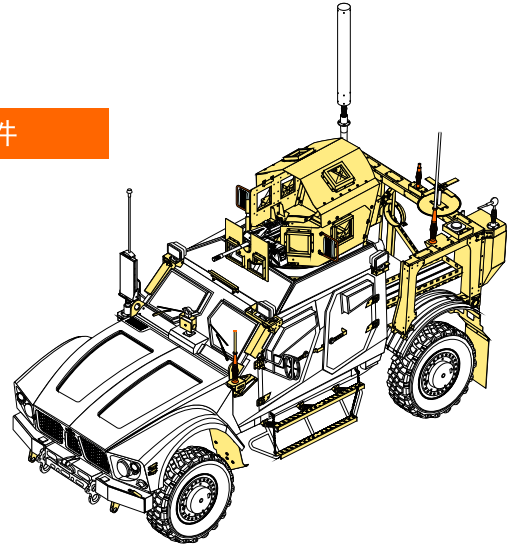
现代美军防地雷反伏击全地形车0-GPK武器站(M-ATV)改造件

[For PANDA HOBBY 35001]

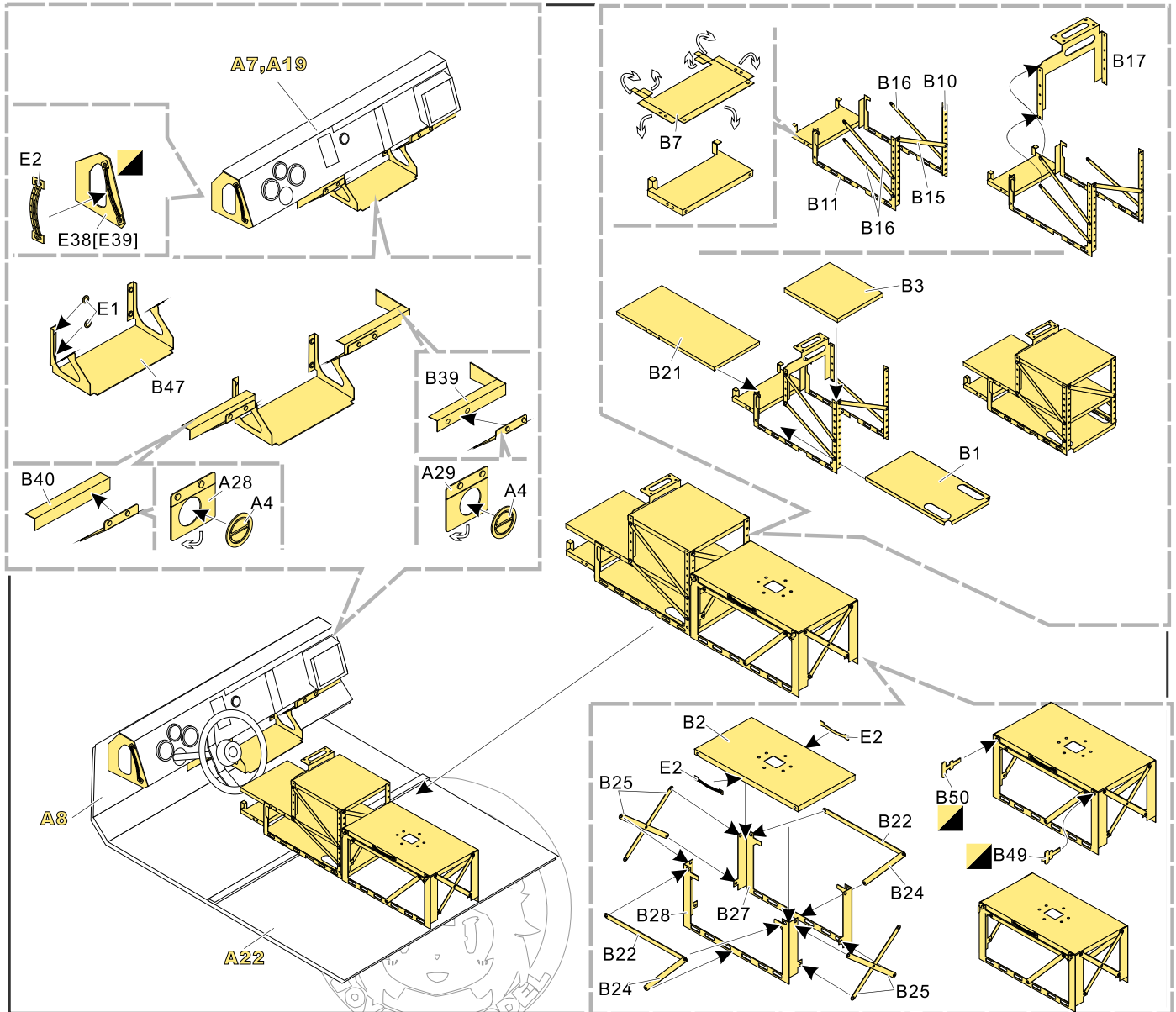
推荐使用工具 RECOMMENDED TOOLS



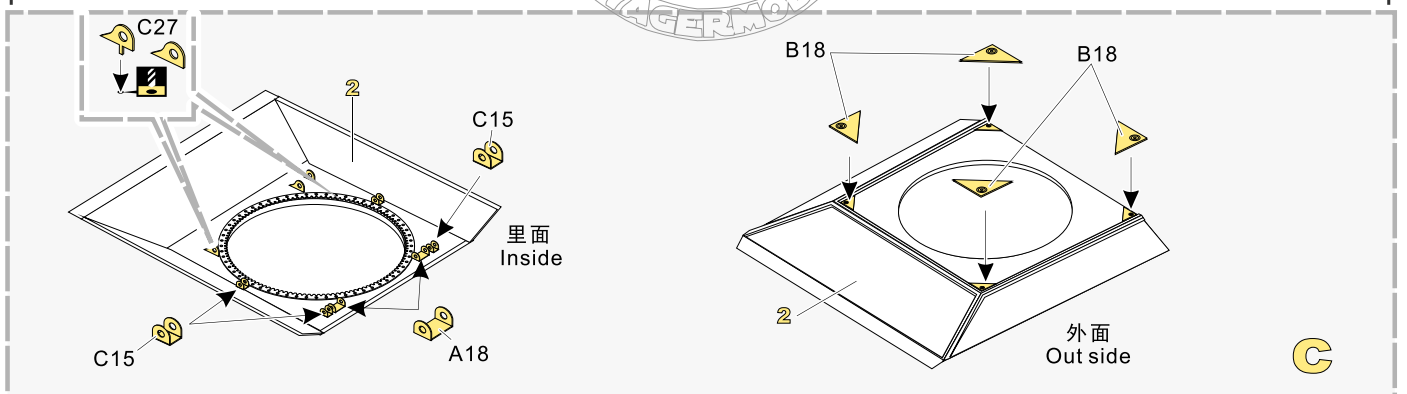
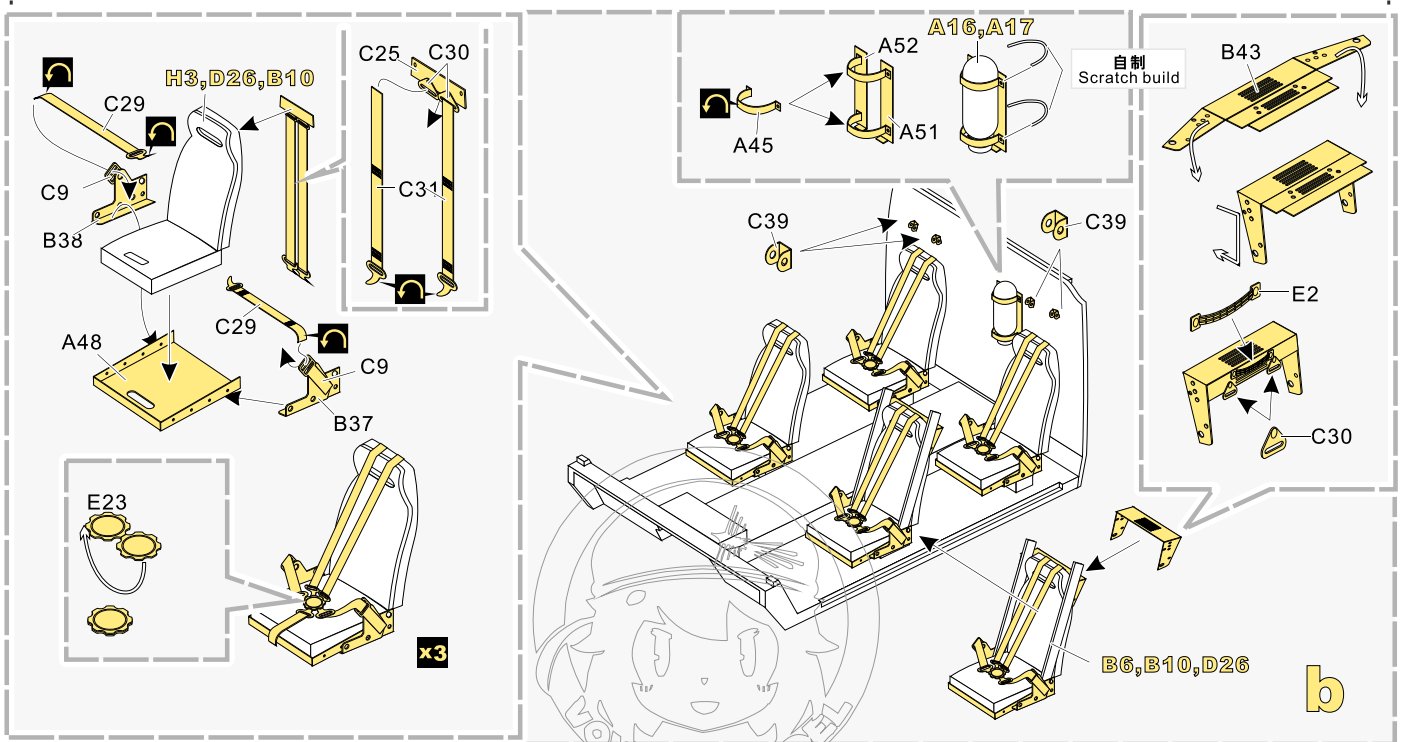
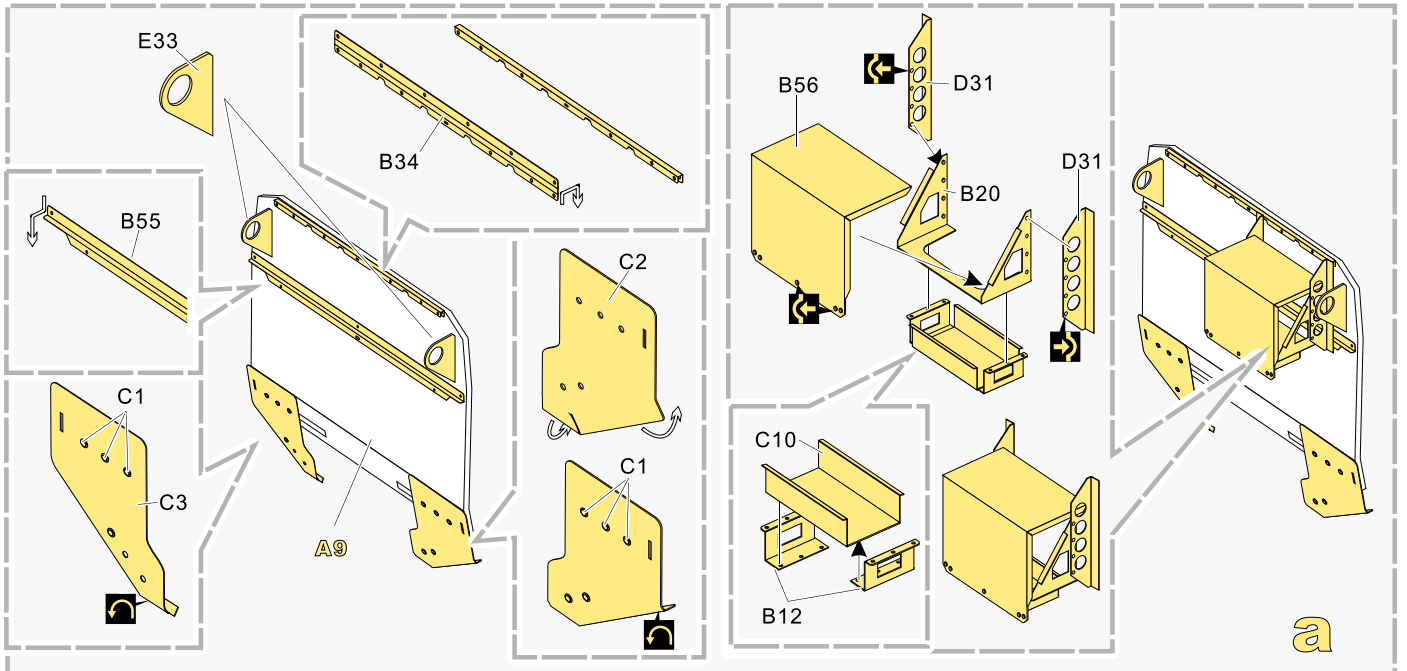
快干胶 Super glue 尖嘴钳 Needle nose pliers 镊子 Tweezers 美工刀 Craft knife 笔钻 pin vice



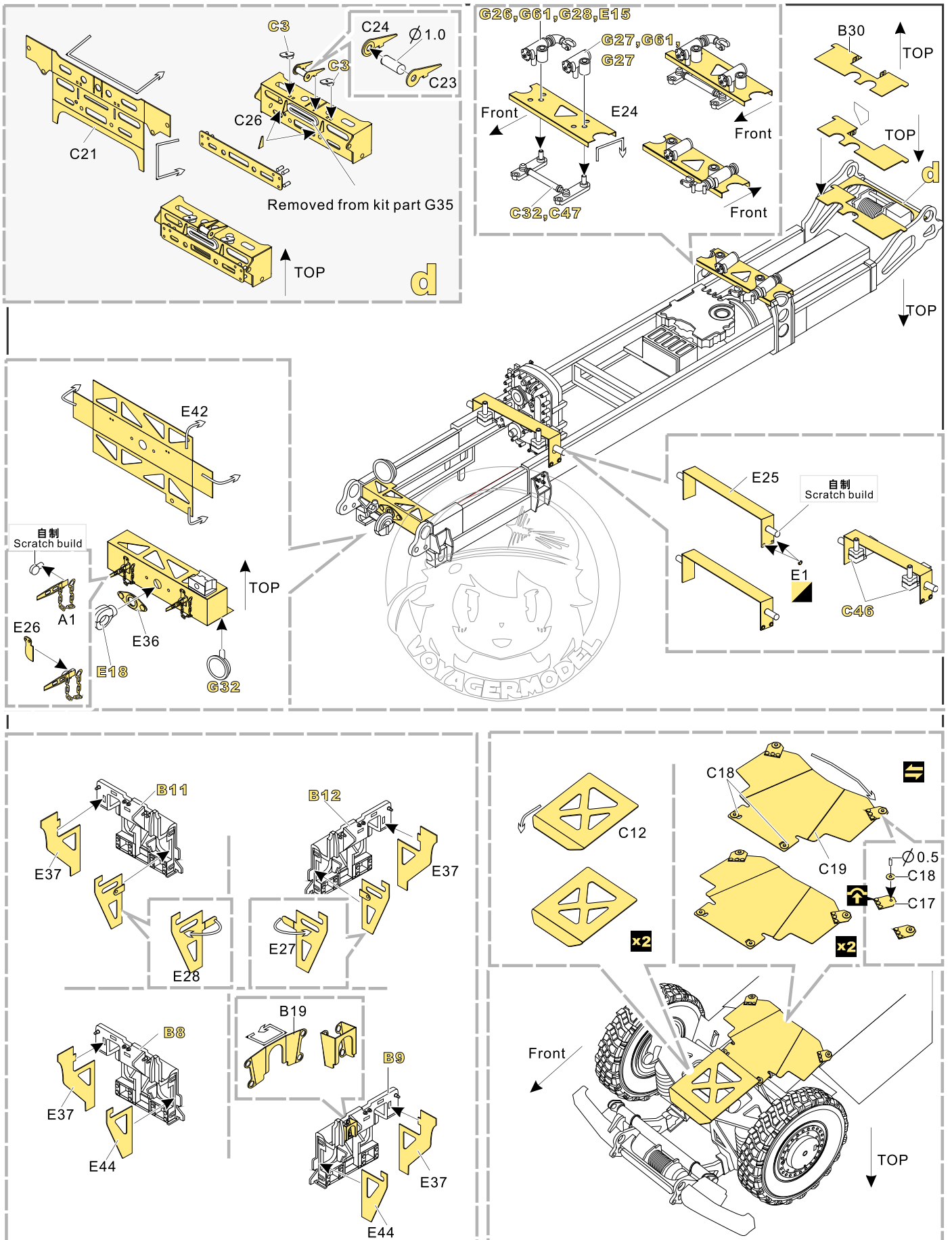
- 安装
install
- 折叠
bend
- A1**
改造件零件编号
PE/resin part number
- B12**
原零件编号
kit part number
- C22**
被替换的原零件编号
replaced kit part number
- 钻孔
drill
- 切除
remove
- 打磨
grind off
- 弧度卷曲
radial bending
- 制作若干组
multiple assembly
- 选择安装
alternative
- 另一侧相同制作
repeat on opposite side
- 用尖端在凹槽处冲压
use penpoint to press on the dent



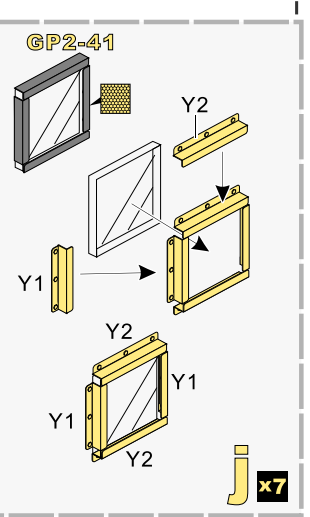
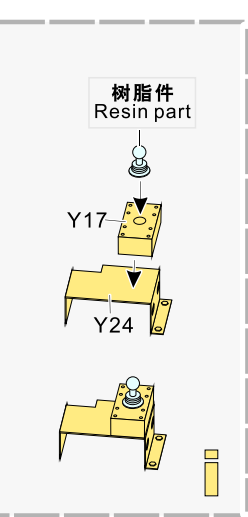
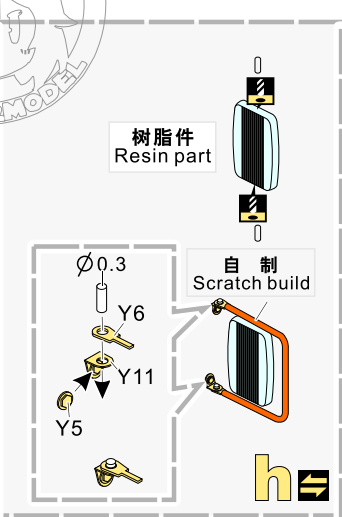
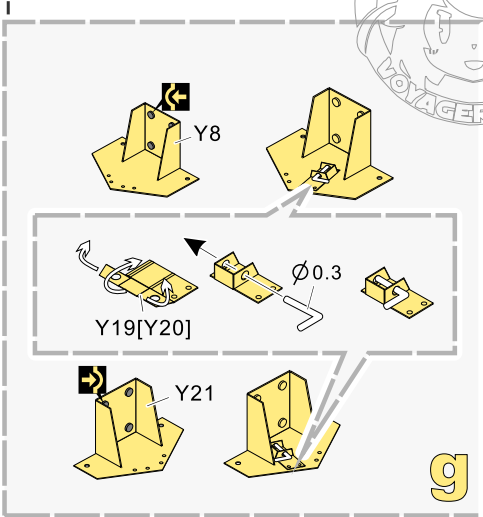
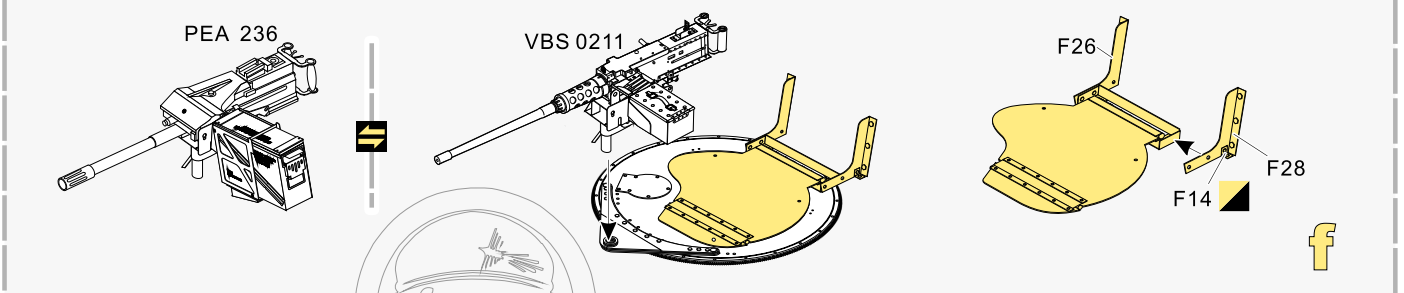
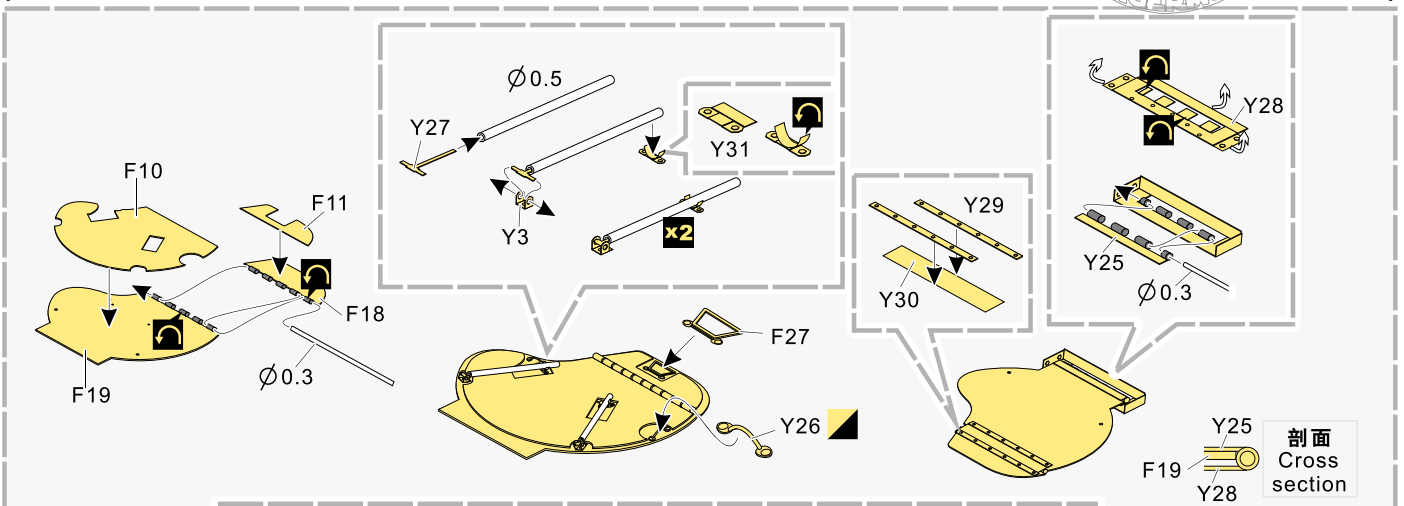
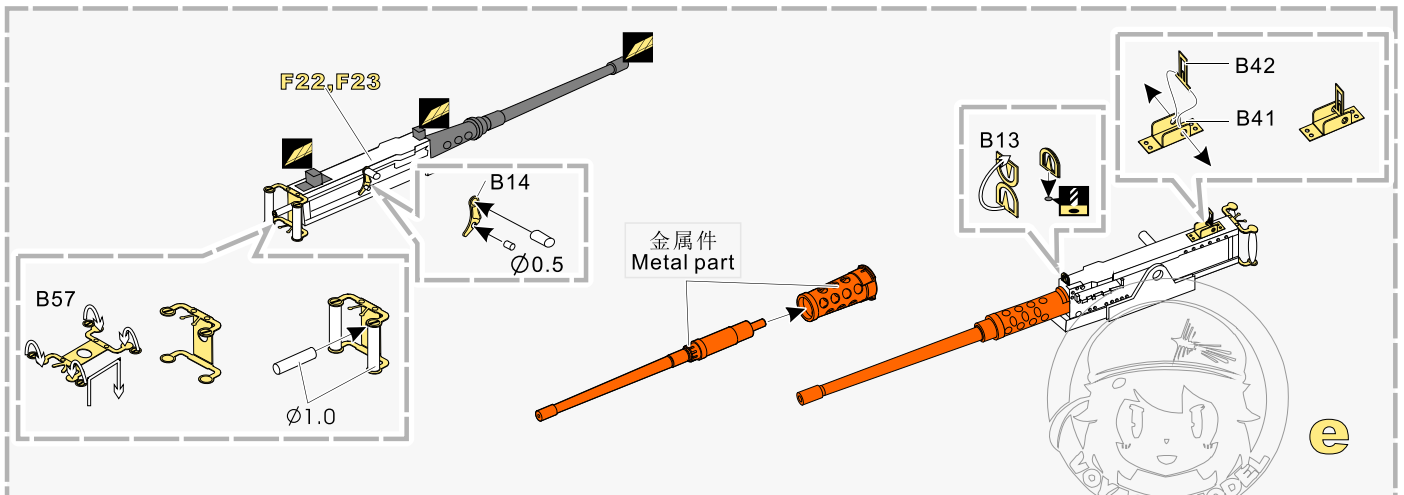
1/35 MILITARY MINIATURE VEHICLE UPGRADE SERIES PE35745



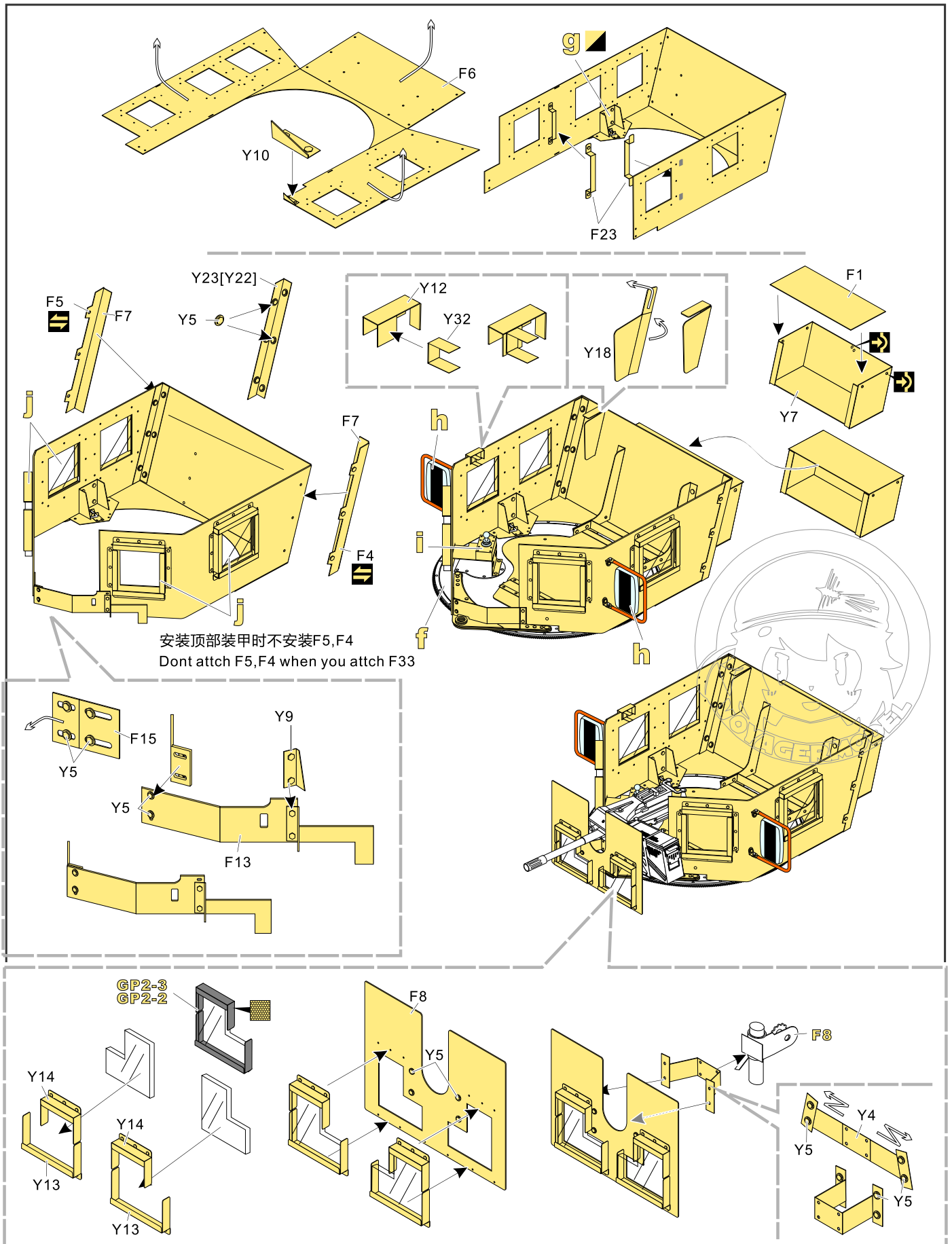
1/35 MILITARY MINIATURE VEHICLE UPGRADE SERIES PE35745



1/35 MILITARY MINIATURE VEHICLE UPGRADE SERIES PE35745

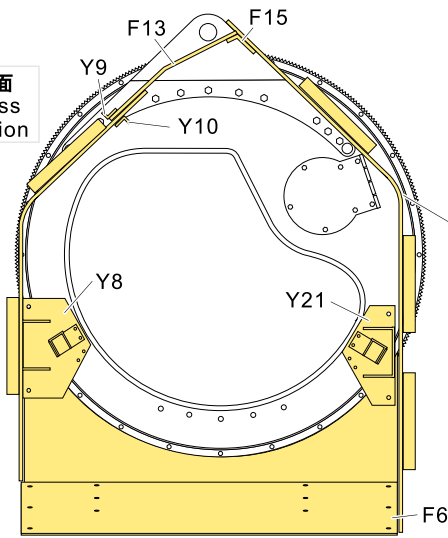


1/35 MILITARY MINIATURE VEHICLE UPGRADE SERIES PE35745

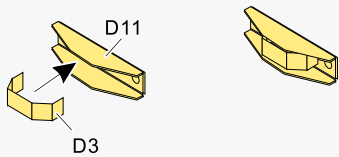
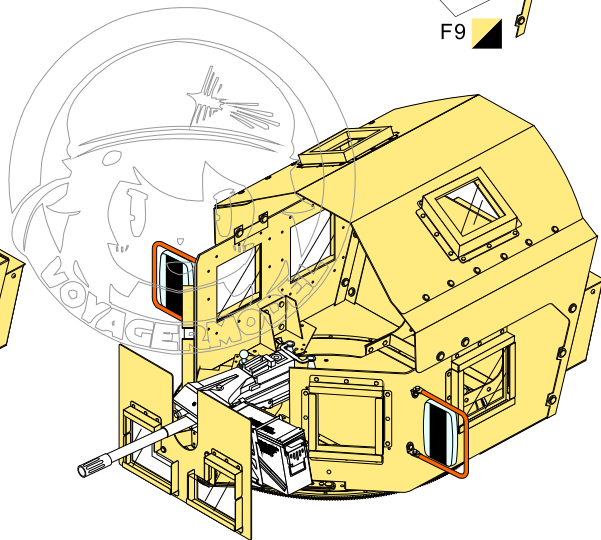
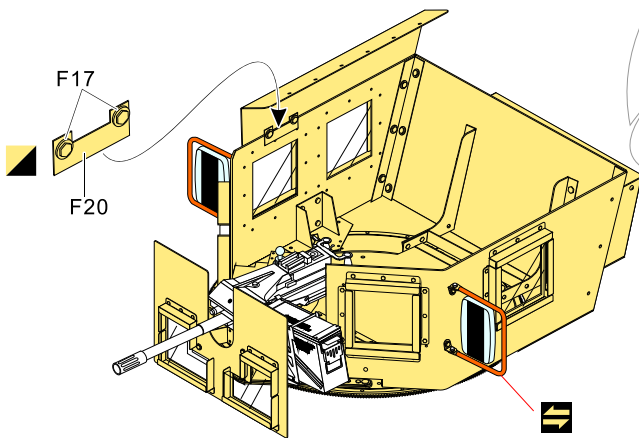
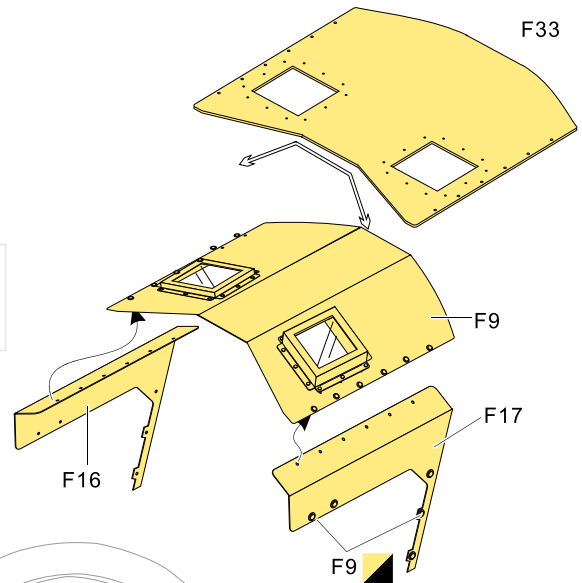


安装顶部装甲时不安装F5,F4
Dont attach F5,F4 when you attach F33

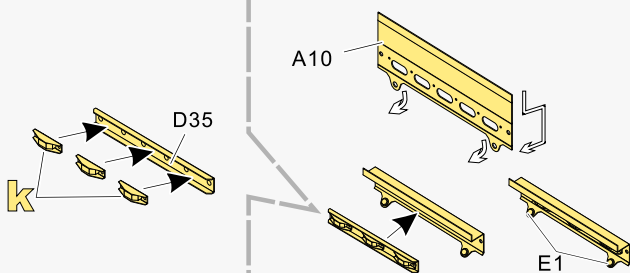
剖面
Cross section



注意调整弧度
carefully adjust
the radius of bending
to get proper fit



k



k

[Http://www.voyagermodel.com/productdetails.asp?itemid=PE35745](http://www.voyagermodel.com/productdetails.asp?itemid=PE35745)

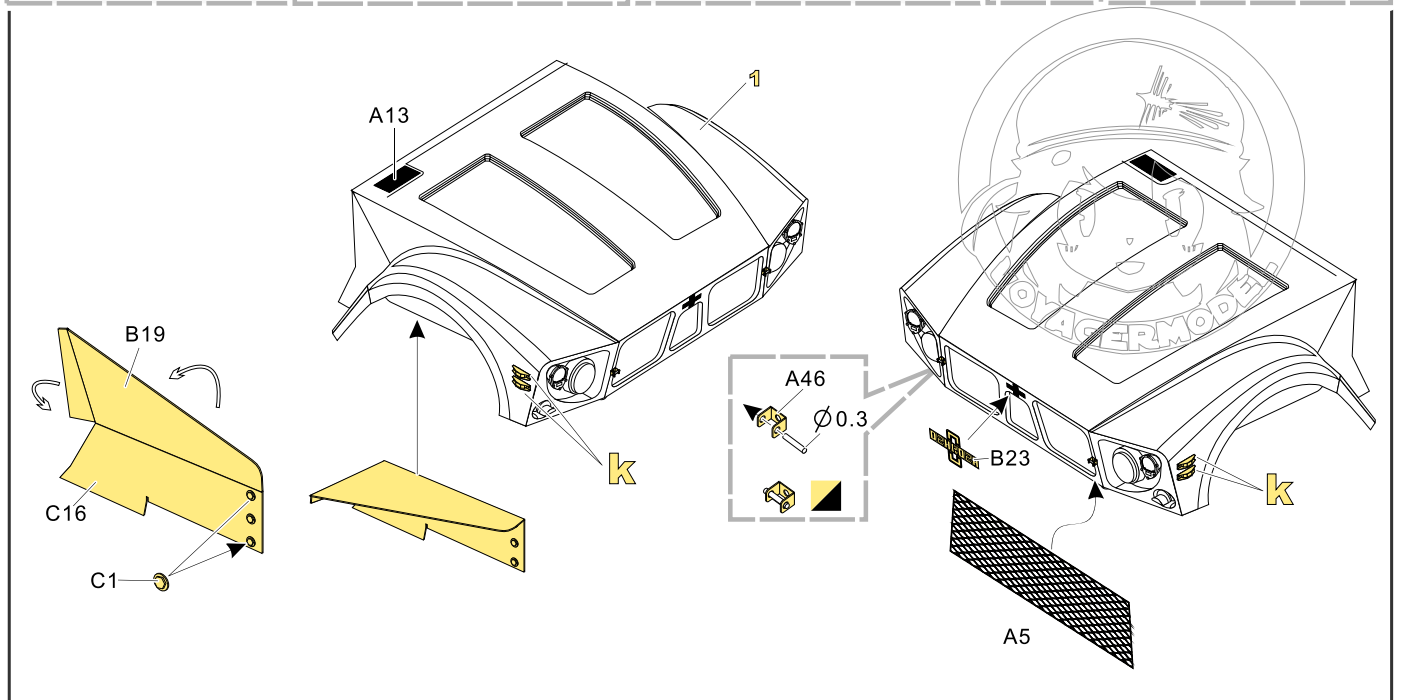
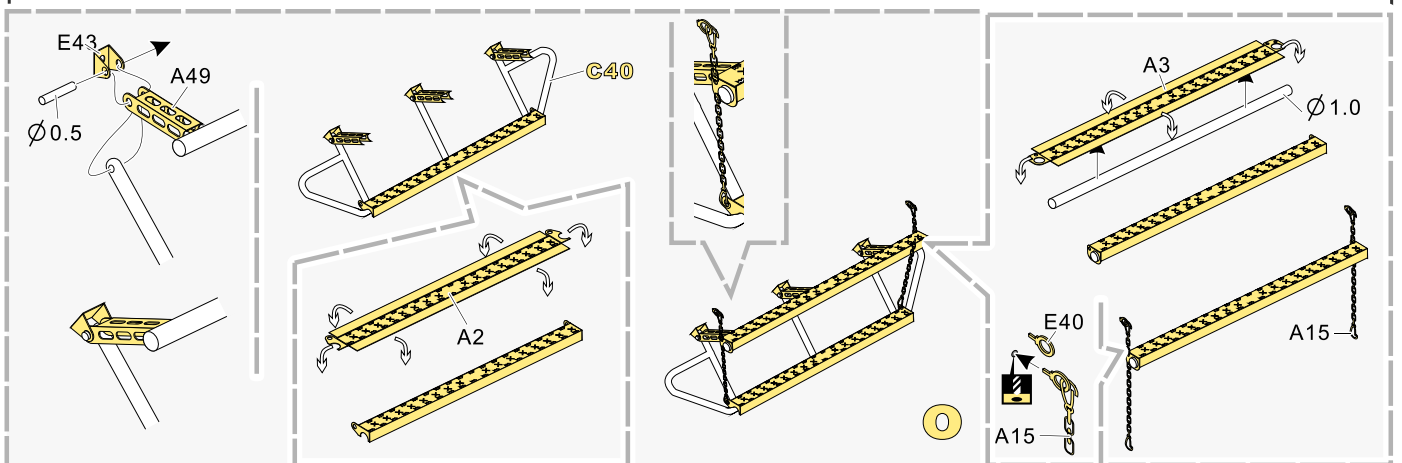
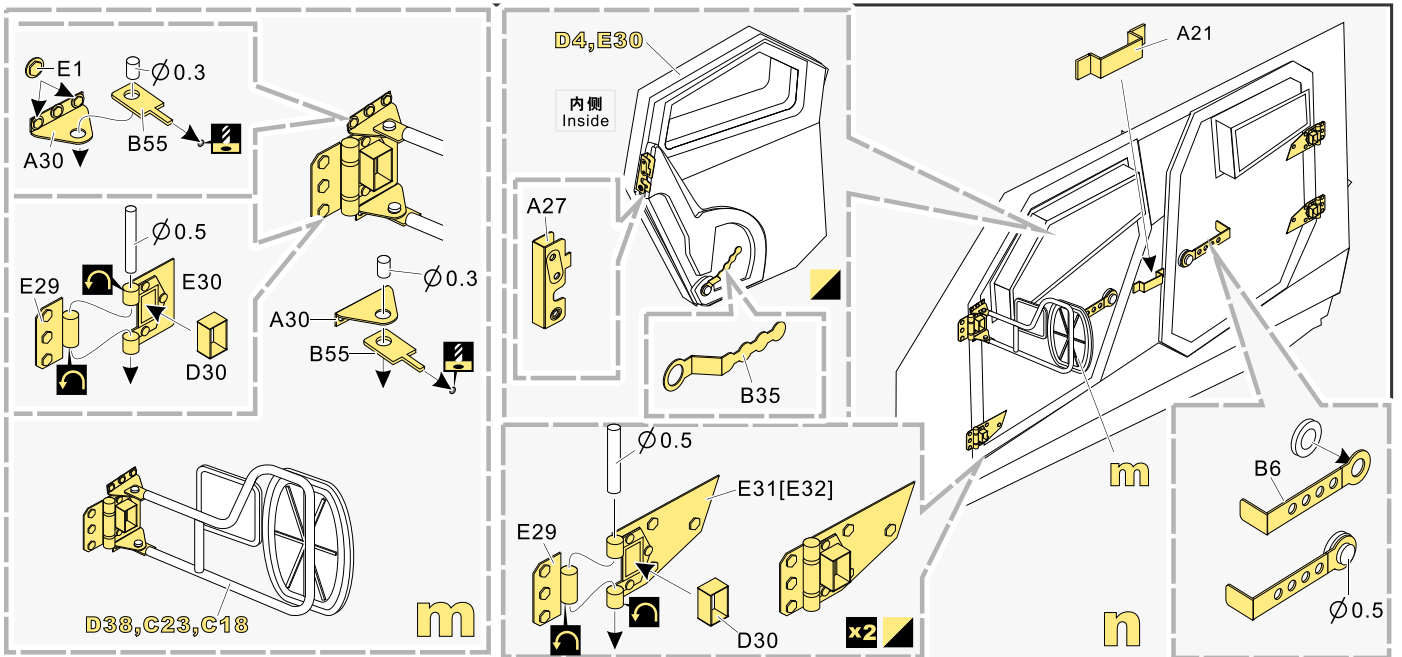


**VOYAGER
MODEL**



更多PE35745样品照片参考请扫一扫
MORE PICTUER OF PE 35745
REFERENCE SCAN HERE

1/35 MILITARY MINIATURE VEHICLE UPGRADE SERIES PE35745

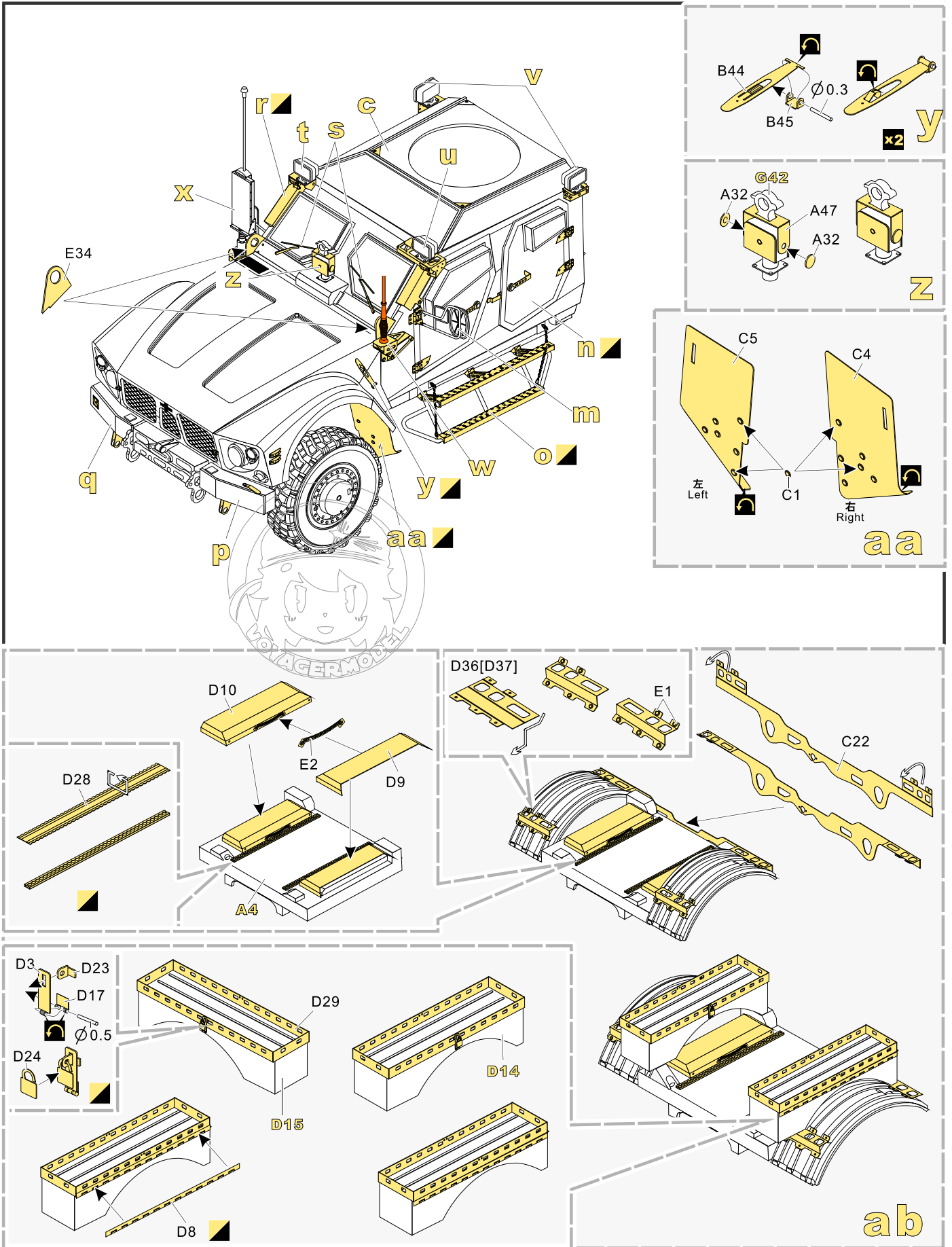


1/35 MILITARY MINIATURE VEHICLE UPGRADE SERIES PE35745

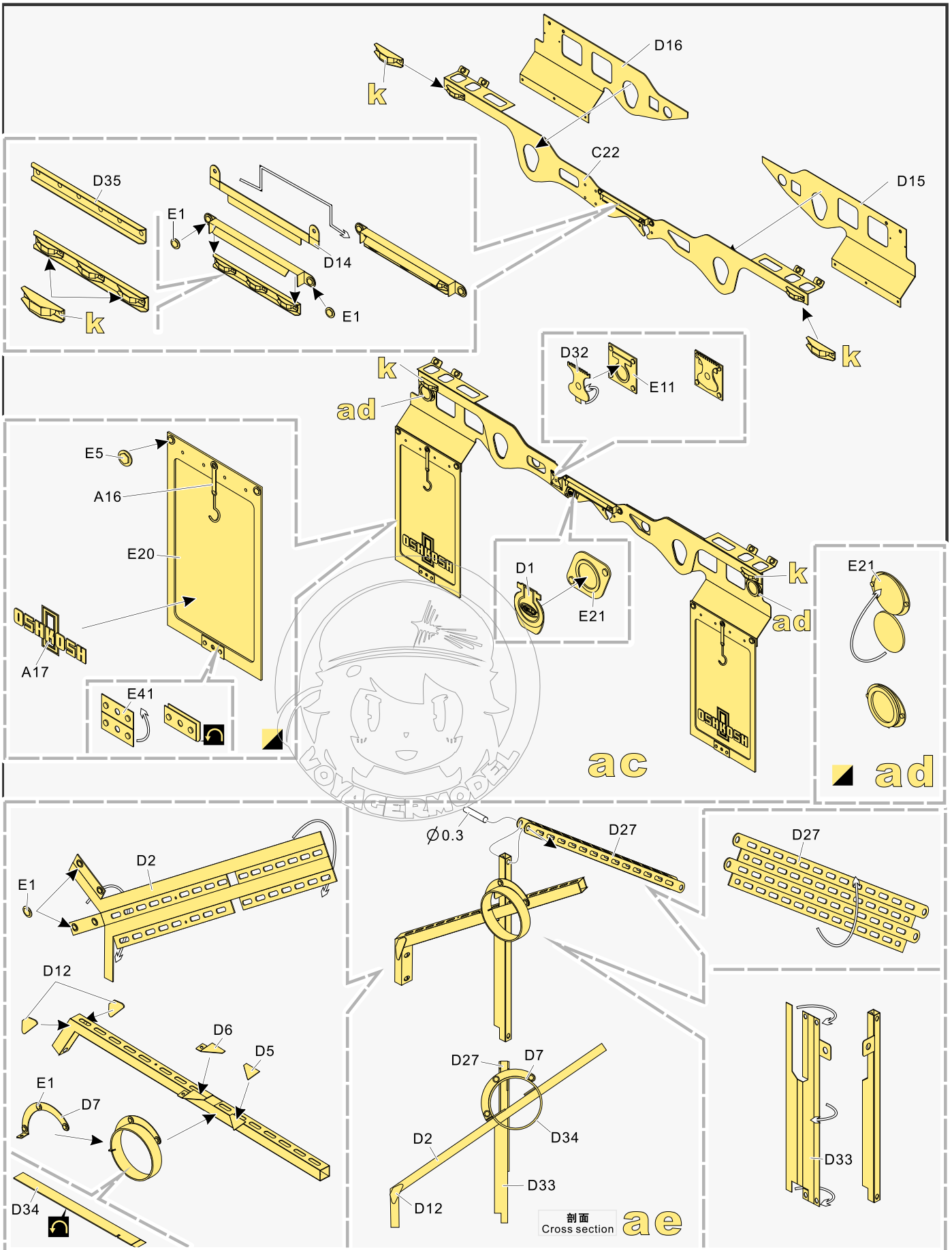
Assembly Instructions:

- Top Left:** Assemble parts E2, B8, A39, B31, and B52. Note: "自制 Scratch build".
- Top Right:** Assemble parts E11, D32, E23, A39, B32, B53, and A41. Note: "自制 Scratch build".
- Middle Left:** Assemble parts A35 (Right), A34, A33, and A34 (Left). Note: "r".
- Middle Right:** Assemble parts A20, A14, and A21 (x2).
- Bottom Left (k, t, u):** Assemble parts A42, E1, A44, C16, and E1.
- Bottom Middle (v):** Assemble parts A23, E1, A22, B47, A24, C16 (Left), A25, C16 (Right), and E1.
- Bottom Right (w, x):** Assemble parts A8, A11, A7, A12, A9, A6, and E1. Includes a detailed view of the shock absorber assembly: "自制 Scratch build" (orange part), "金属件 Metal part" (orange part), and "推荐 PEA 291 VOYAGERMODEL PEA 291 Recommended" (spring).

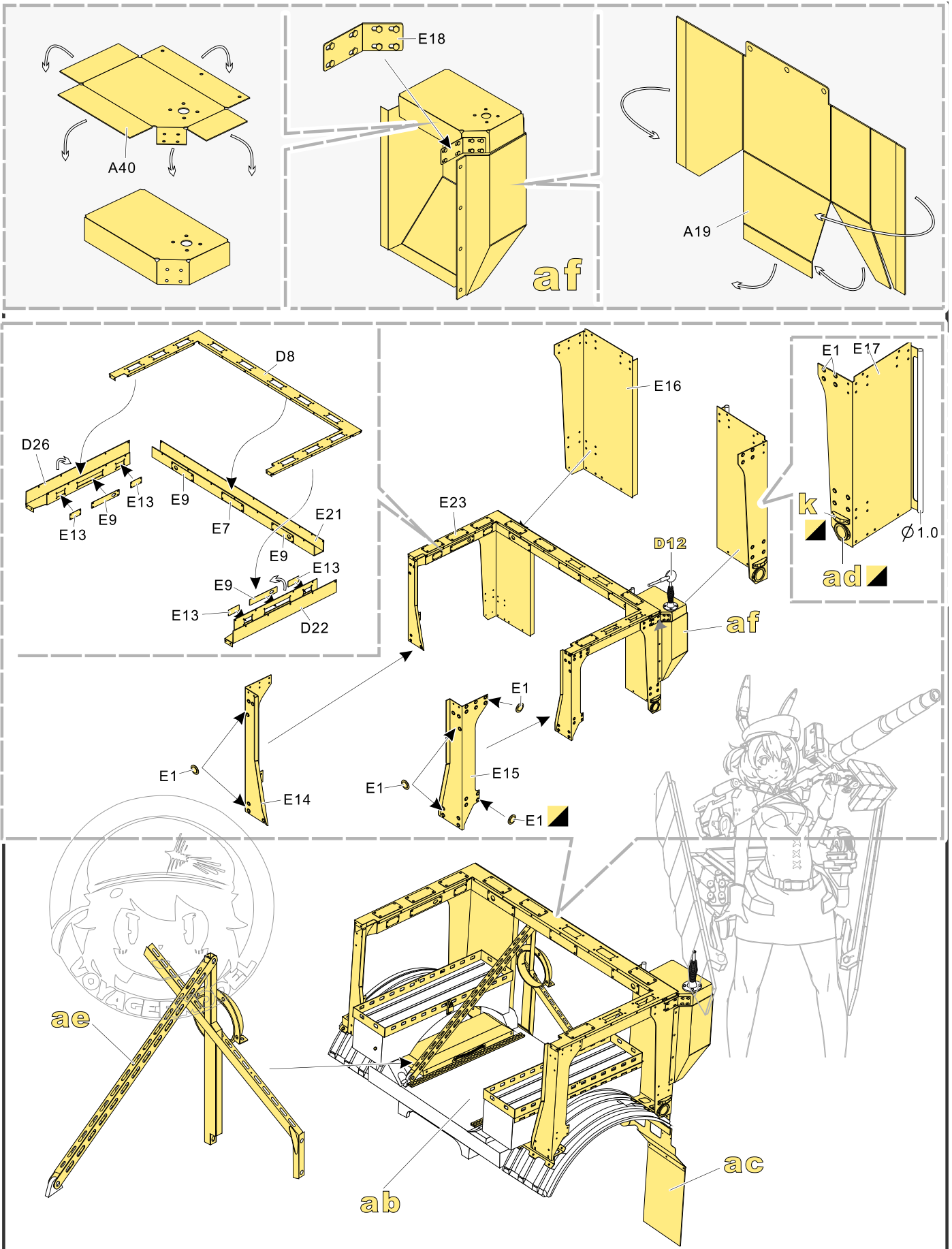
1/35 MILITARY MINIATURE VEHICLE UPGRADE SERIES PE35745



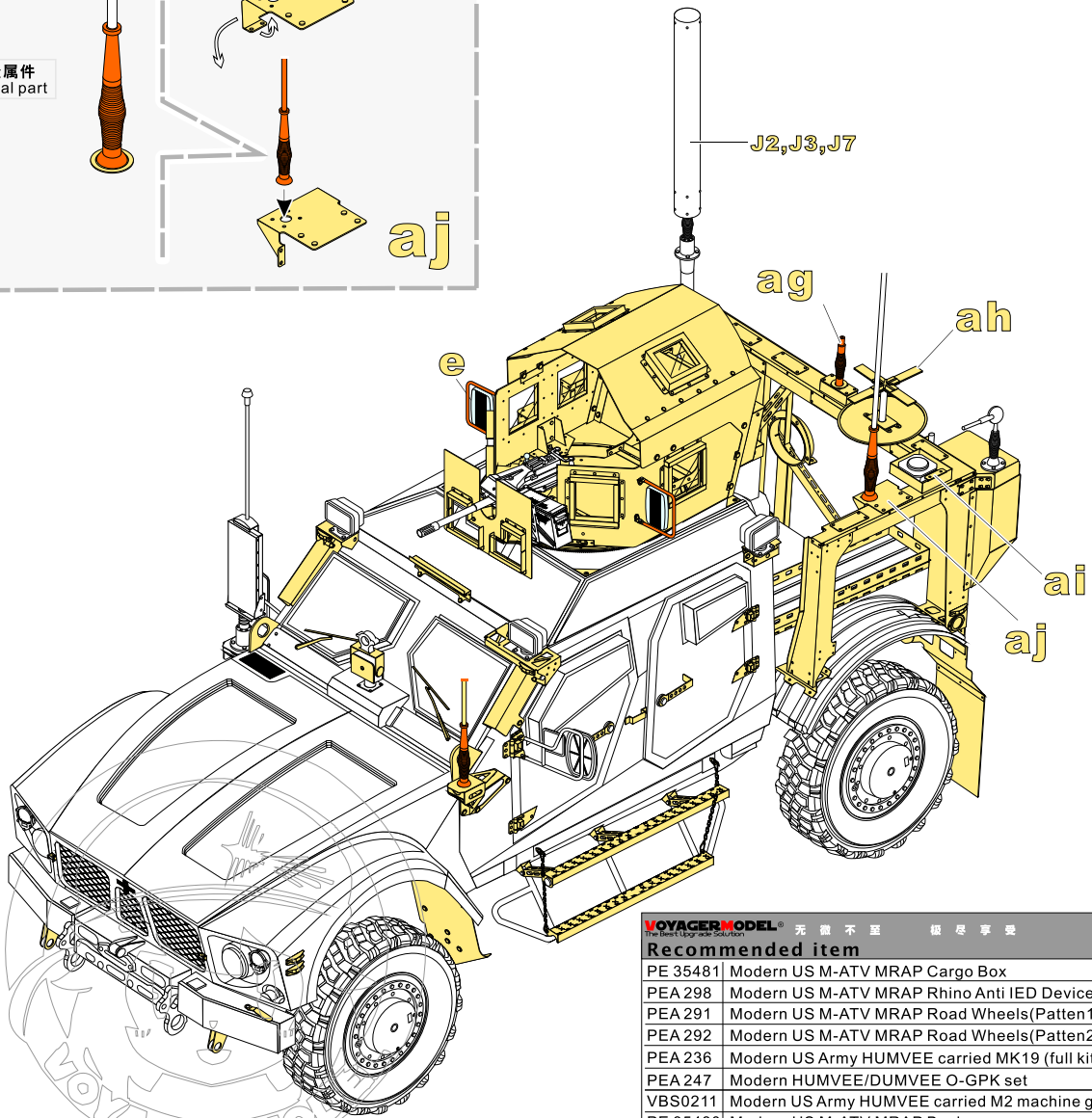
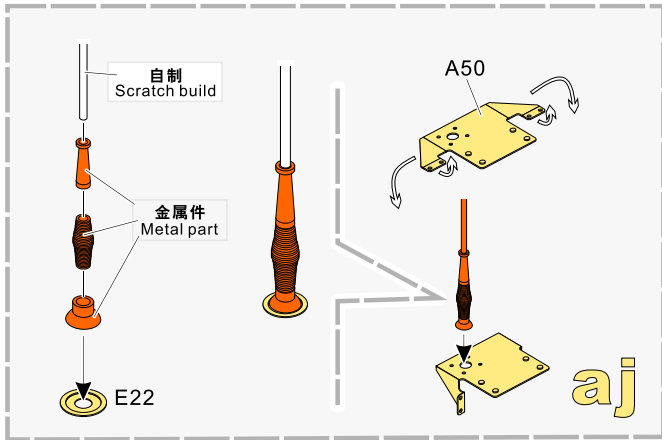
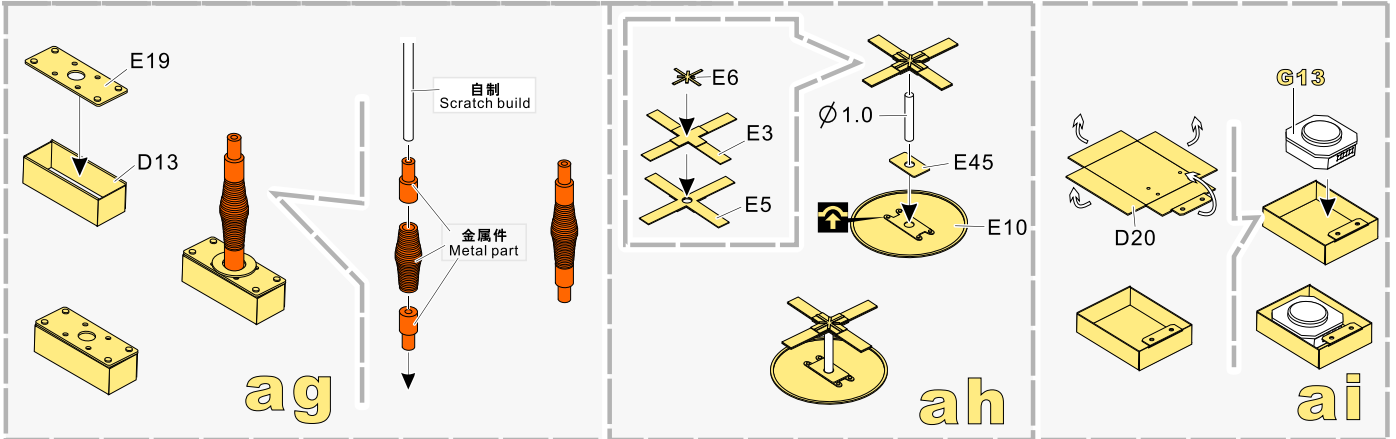
1/35 MILITARY MINIATURE VEHICLE UPGRADE SERIES PE35745



1/35 MILITARY MINIATURE VEHICLE UPGRADE SERIES PE35745



1/35 MILITARY MINIATURE VEHICLE UPGRADE SERIES PE35745



VOYAGERMODEL® 无微不至 极致享受
The Best Upgrade Solution

Recommended item

PE 35481	Modern US M-ATV MRAP Cargo Box
PEA 298	Modern US M-ATV MRAP Rhino Anti IED Device sets
PEA 291	Modern US M-ATV MRAP Road Wheels(Patten1)
PEA 292	Modern US M-ATV MRAP Road Wheels(Patten2)
PEA 236	Modern US Army HUMVEE carried MK19 (full kit)
PEA 247	Modern HUMVEE/DUMVEE O-GPK set
VBS0211	Modern US Army HUMVEE carried M2 machine gun (full kit)
PE 35480	Modern US M-ATV MRAP Basic
PE 35744	Modern US M-ATV MRAP w/Crow II RWS
PE 35750	Modern US COUGAR 4X4 MRAP
PE 35754	Modern US COUGAR 6X6 MRAP