

Russian T-72B3 with 4S24 Soft Case ERA & Grating Armour

俄罗斯T-72B3坦克带4S24反应装甲及栅栏

READ BEFORE ASSEMBLY:

- Study and understand these instructions thoroughly before beginning assembly
- When needed, remove photo-etch parts carefully using a modeling knife or photo etch sprue cutter, being careful not to damage or lose small parts.
- Take extra care in handling photo etch parts in order to avoid injury
- Apply instant cement sparingly to photo etch parts where instructed
- Tools recommended(not included in kit):Plastic and instant cements, sprue cutters,long nose pliers,modeling knife, small files, tweezers, pin vise & scissors. Soft cloth and sandpaper will also assist in construction
- Glue and paint are not included in the kit. Use plastic cement and hobby paints only. Color guide for purchasing paint is included in the kit.

装配之前仔细阅读

- 小心用模型锉刀锉平所有零件表面的注射浇口。
- 小心用刀片切下蚀刻片零件，不要遗失小零件。
- 用强力快干胶水粘合蚀刻片零件和金属轴。过量快干胶水使用可能导致可动零件会粘住，小心涂胶。
- 取蚀刻片时应特别注意安全，防止利边划伤手指。
- 某些零件表面需贴水上贴纸，请选择在装配的同时进行。
- 推荐模型工具(自备)：胶水，水口剪刀，长咀钳，刀片，镊子，钳，钻，剪刀，瞬间快干胶。
- 软布同砂纸同时也是所需工具。
- 请使用塑料胶水和油漆，模型内不含。



使用强力胶
Cyanoacrylate glue



配重
Weight



钻孔
Make hole



切除
Cut / Remove



贴纸
Decal



锉平
File / Sand



选择
Option



不涂胶水
No cement



弯曲
Bend



先装
Install it first



填补
Repair

水贴纸的使用:

- 1.从水贴纸上剪下印花;
- 2.将印花放入温水中浸10秒，然后放在干净布上。
- 3.拿着印花纸板将印花移到模型上;
- 4.手指蘸水将印花移到适当的位置;
- 5.用软布轻压印花直至水干，气泡消失

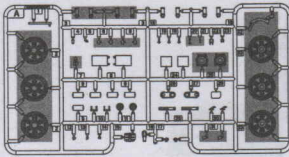
DECAL APPLICATION

- 1.Cut decals from sheet as needed
- 2.Dip the decal in warm water for about 10 seconds and then place on soft clean cloth.
- 3.Hold the decal backing sheet edge and gently slide the decal onto the model in its proper position.

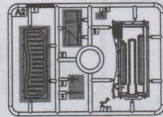
- 4.While still wet,decal can be adjusted for better fit on model by dampening it gently with your finger.
- 5.When placed in the proper position,gently press decal down with a soft cloth until excess water and air bubbles are gone.
- 6.Allow decal to dry completely before handling model

* 说明书中含有重要信息，应保留。 Please Keep instruction since it contains important information.

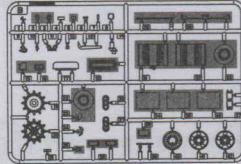
Ax4



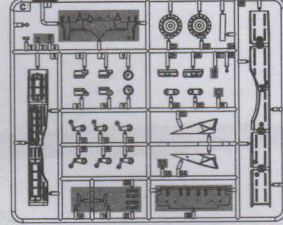
A2x1



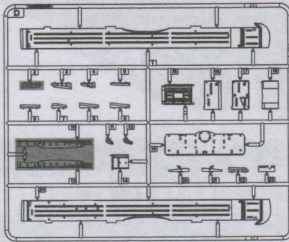
Bx2



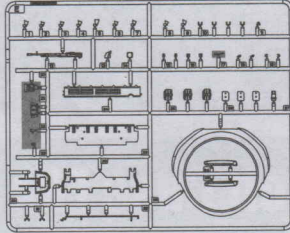
Cx1



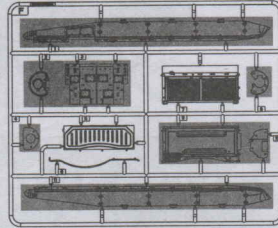
Dx1



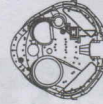
Ex1



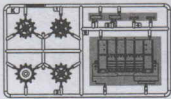
Fx1



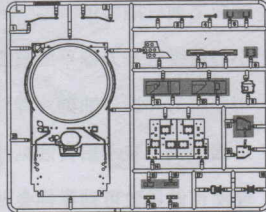
《炮塔》S1x1
Turret



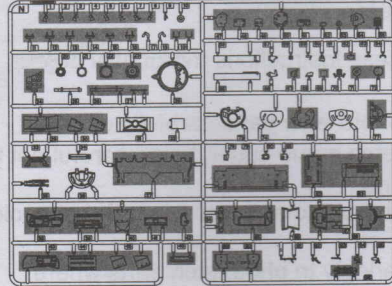
Kx1



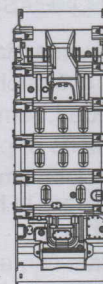
Lx1



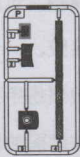
Nx1



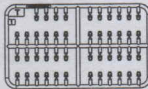
《车底》
Lower hull



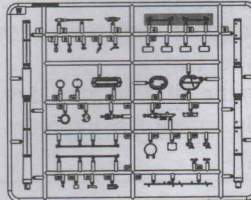
Px1



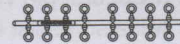
Tx4



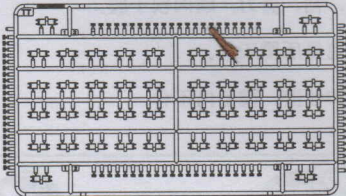
Wx1



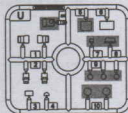
《轮塞》x1
Ploycap



TTx4



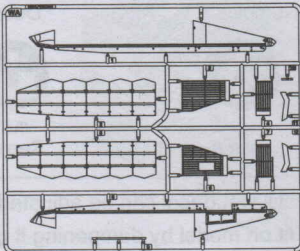
Ux1



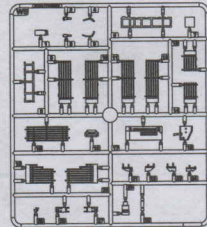
《铜缆》
Brass wire
φ0.8x200MM



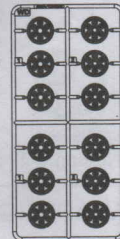
WAx1



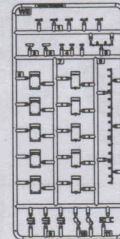
WBx1



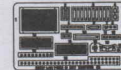
WDx2



WEx2



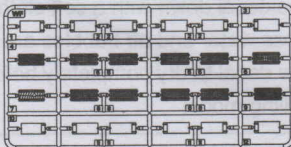
PE-Ax2



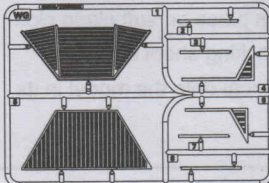
PE-Bx1



Wfx2



WGx1

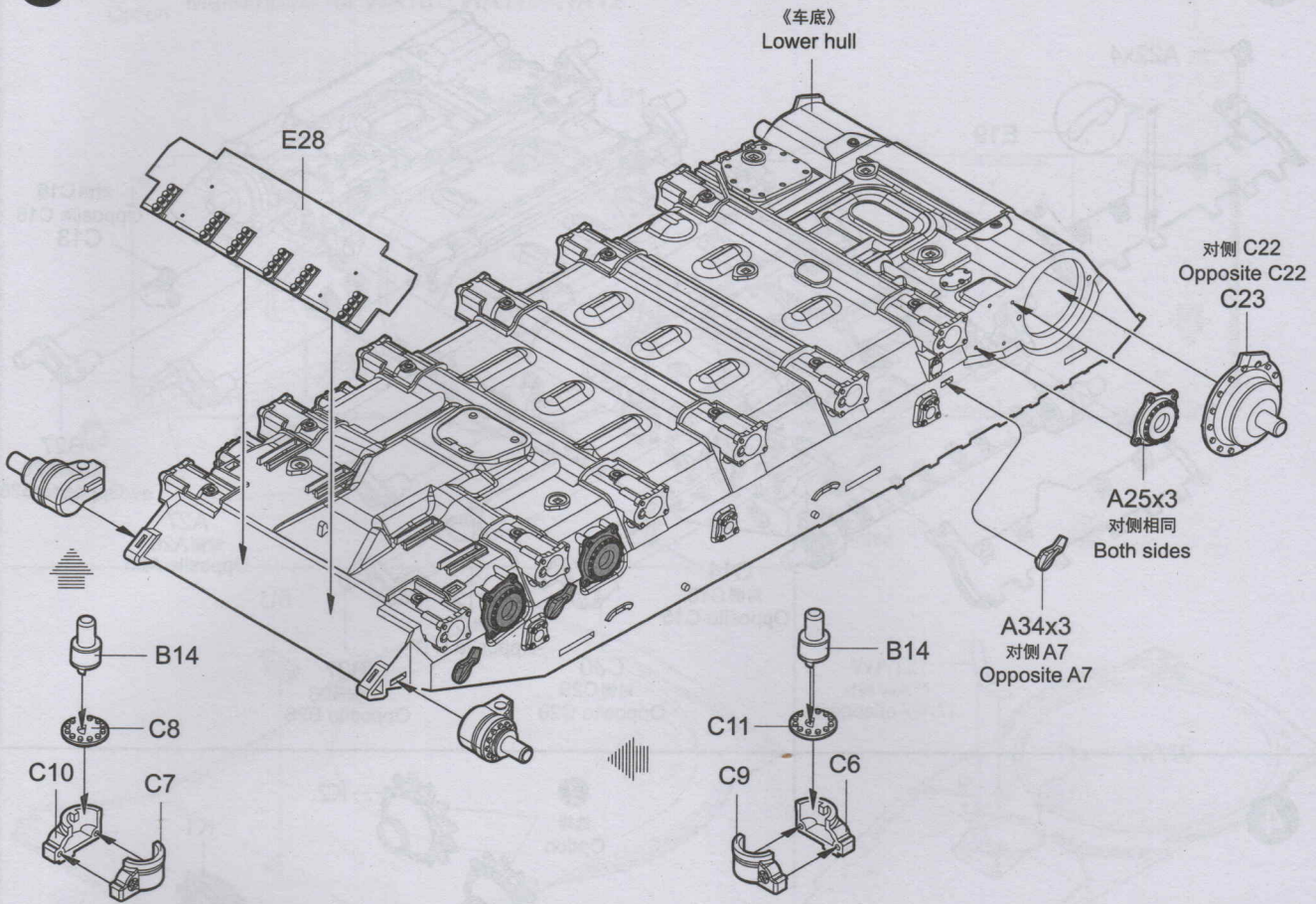


《水贴纸》
Decal

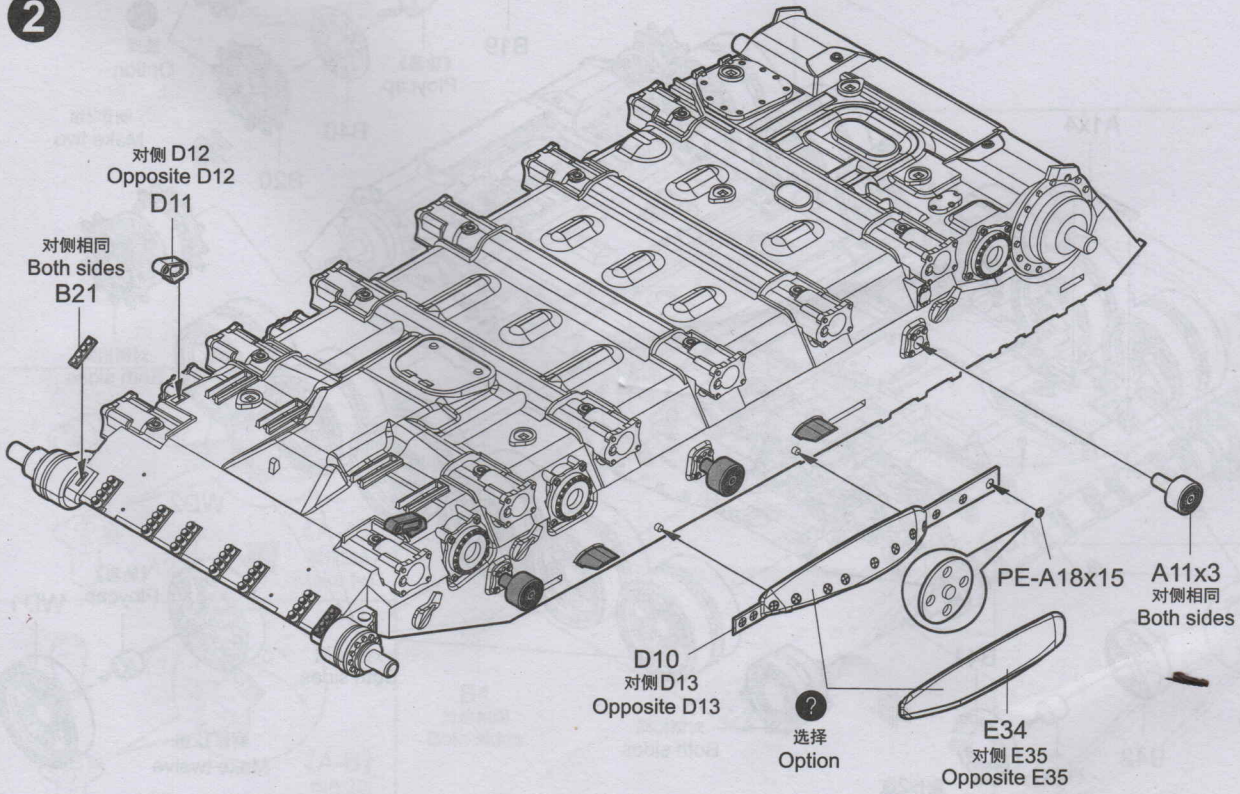


阴影部分为不用零件
Unused Parts

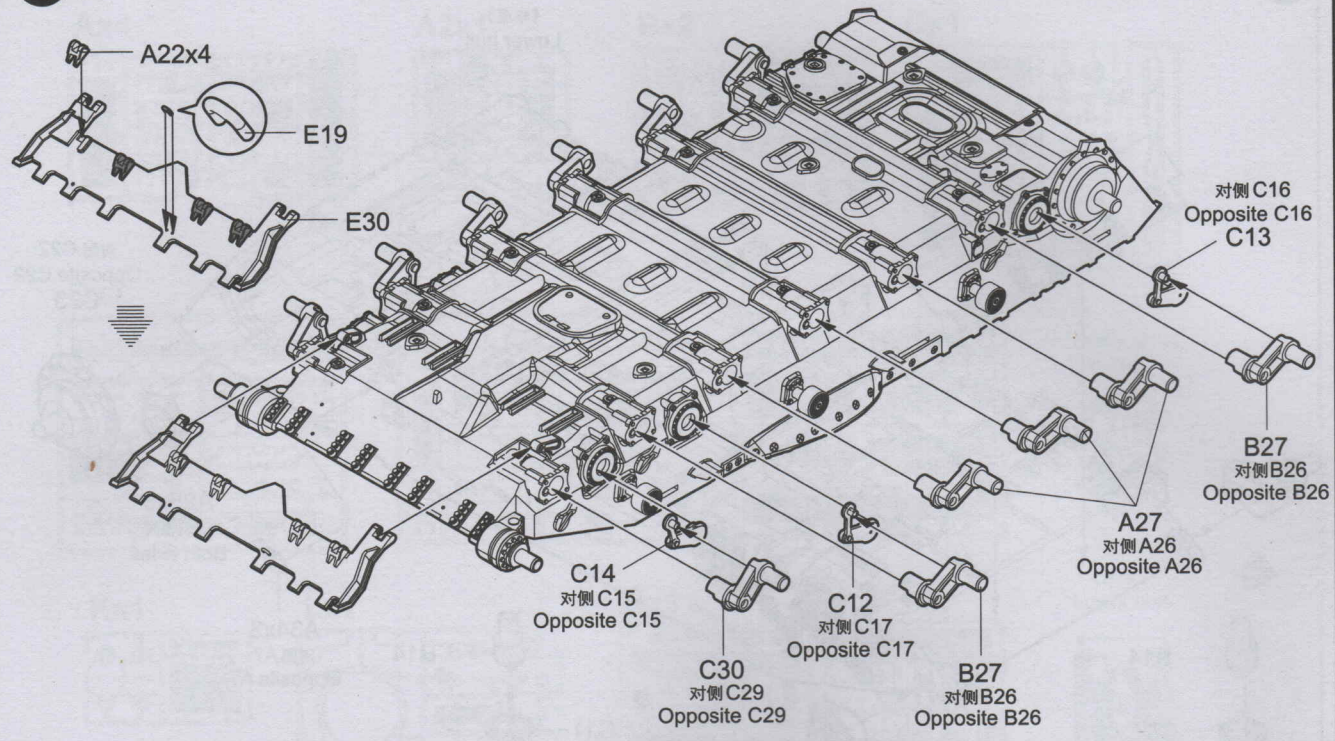
1



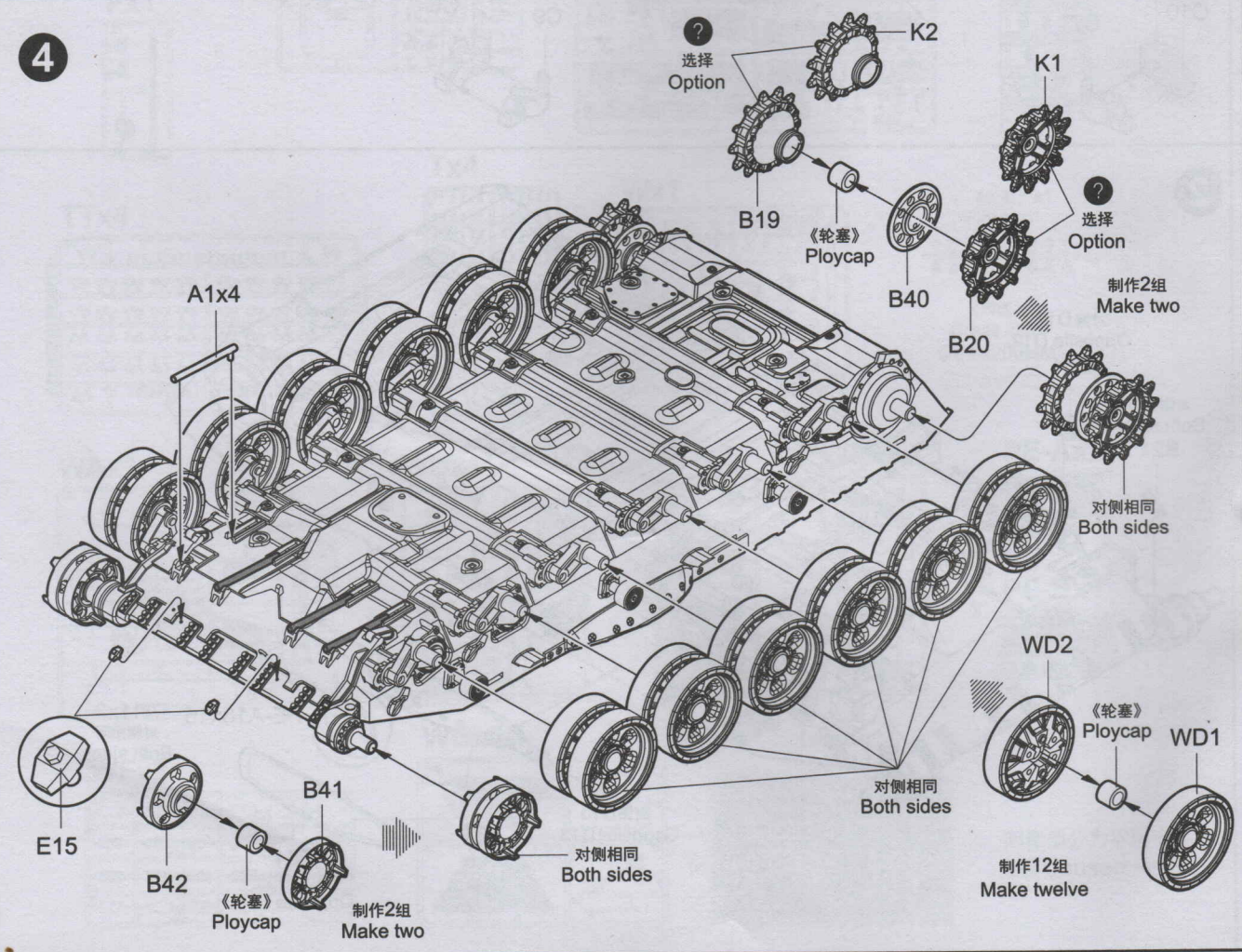
2



3



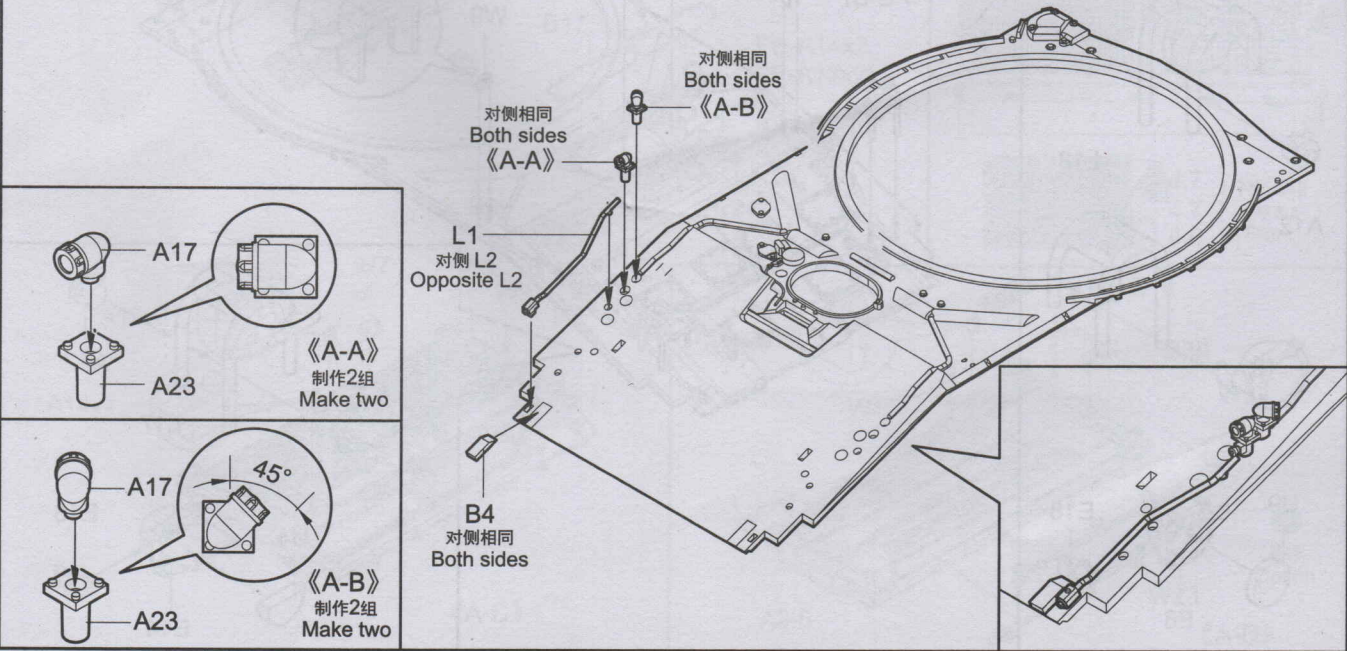
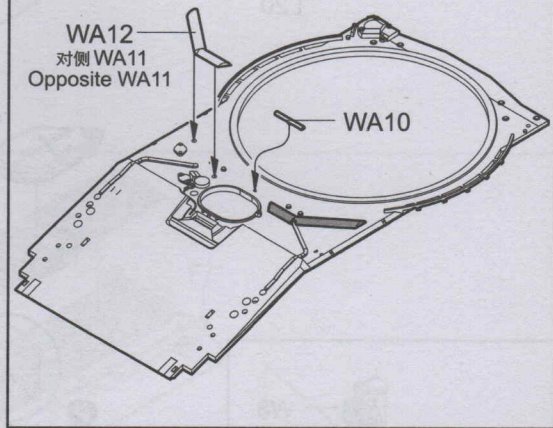
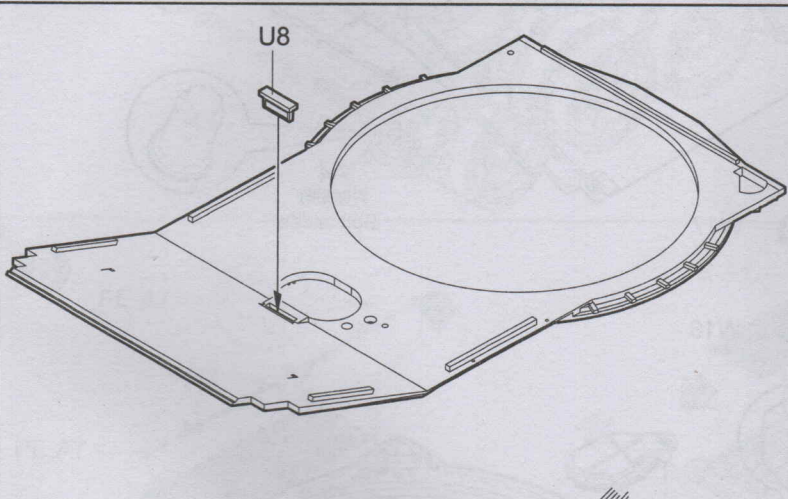
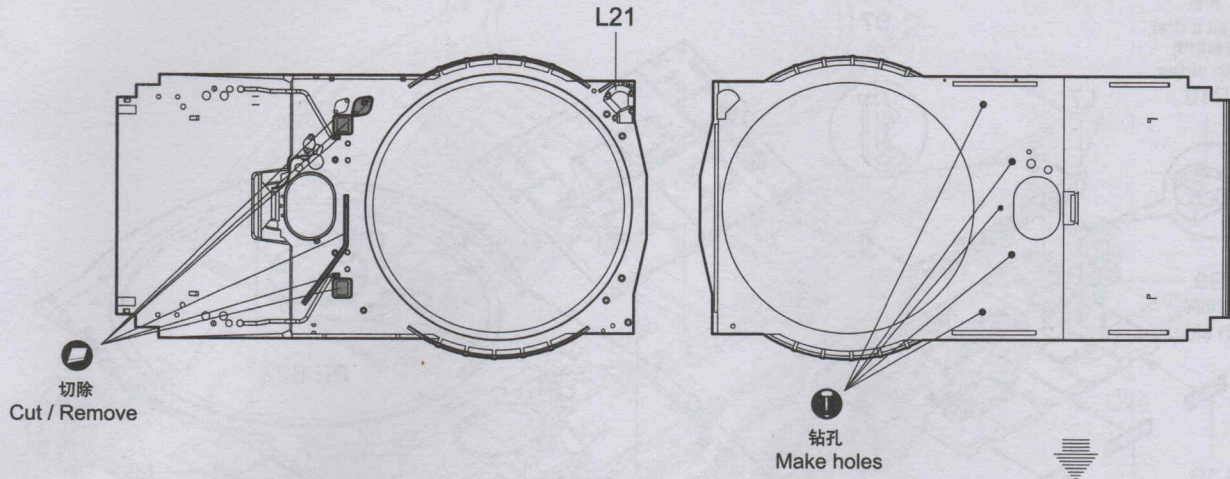
4



5

选择
Option

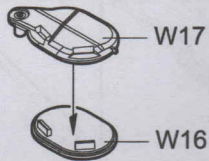
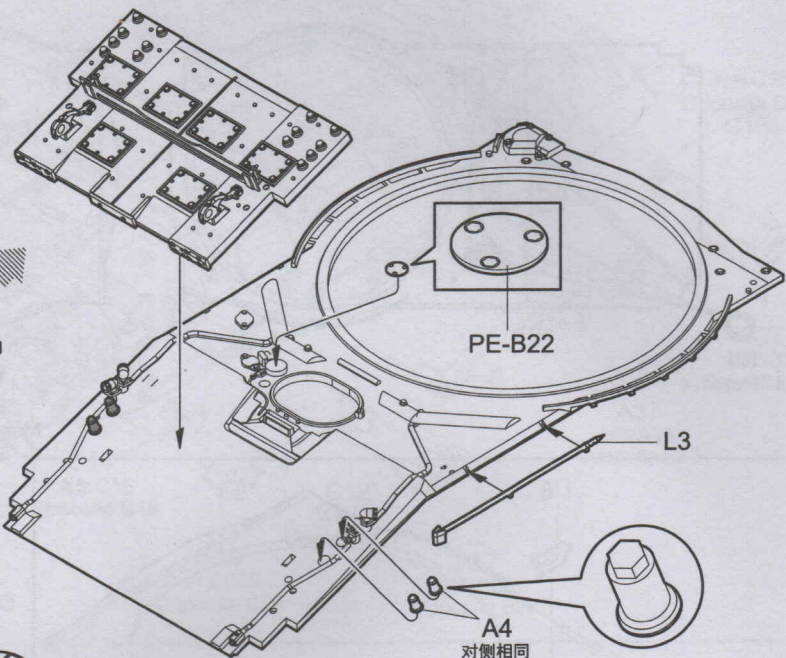
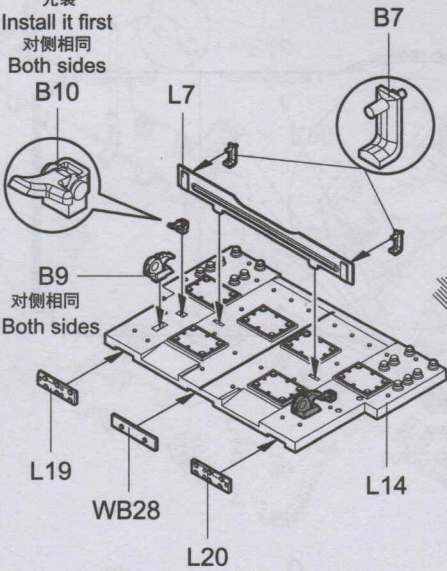
安装 WA10、WA11、WA12
Make holes for WA10、WA11、WA12



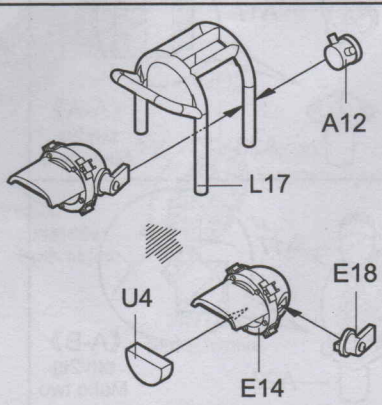
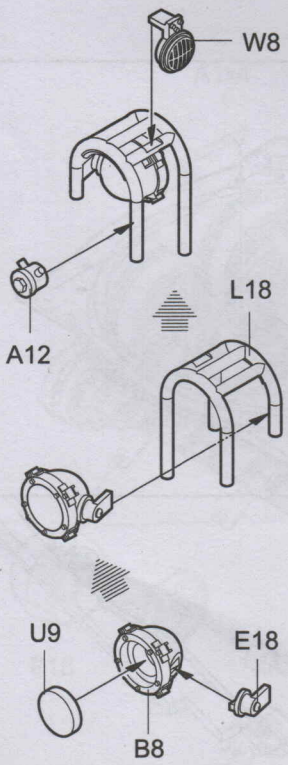
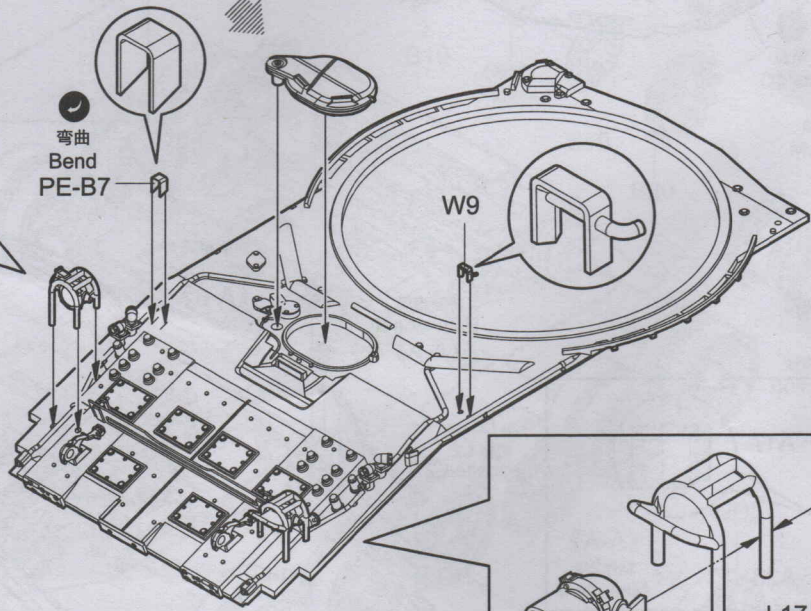
6



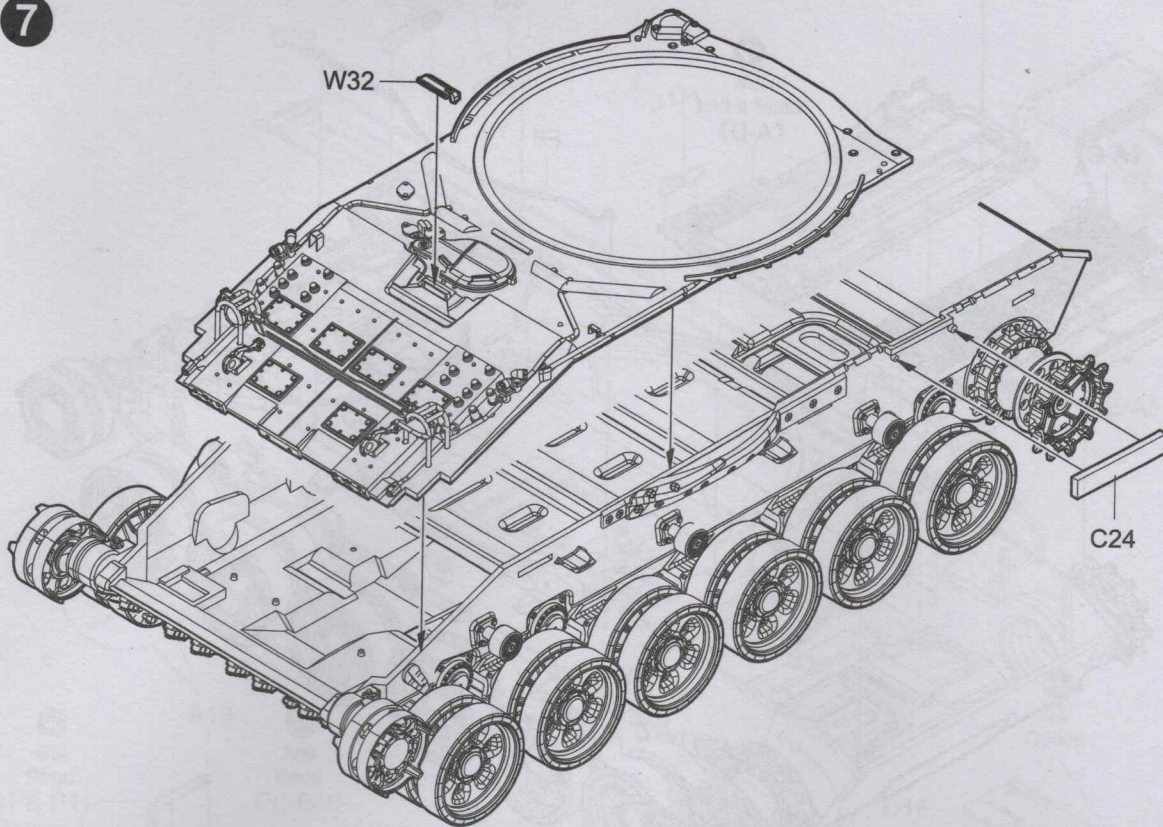
先装
Install it first
对侧相同
Both sides



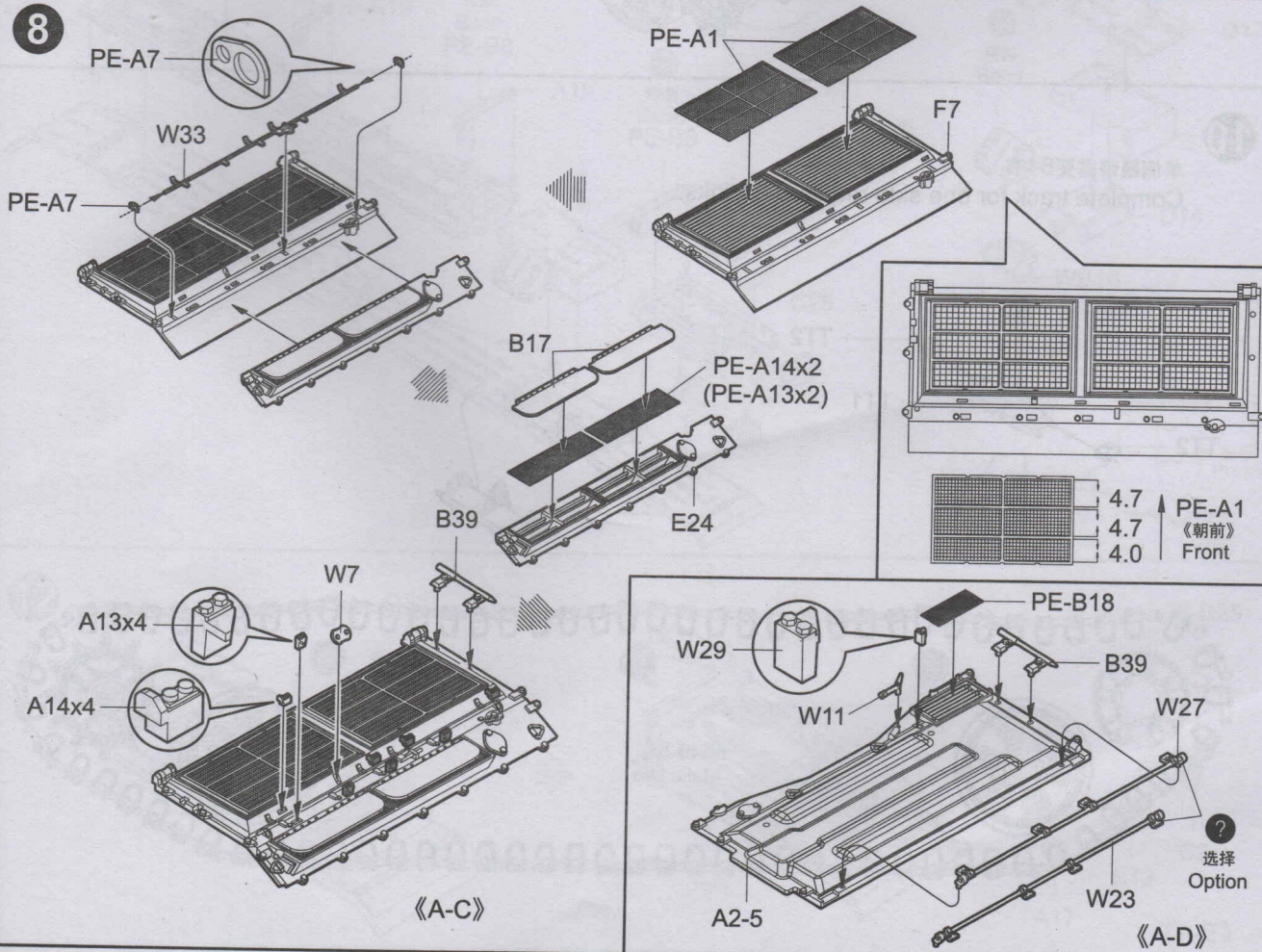
弯曲
Bend
PE-B7



7



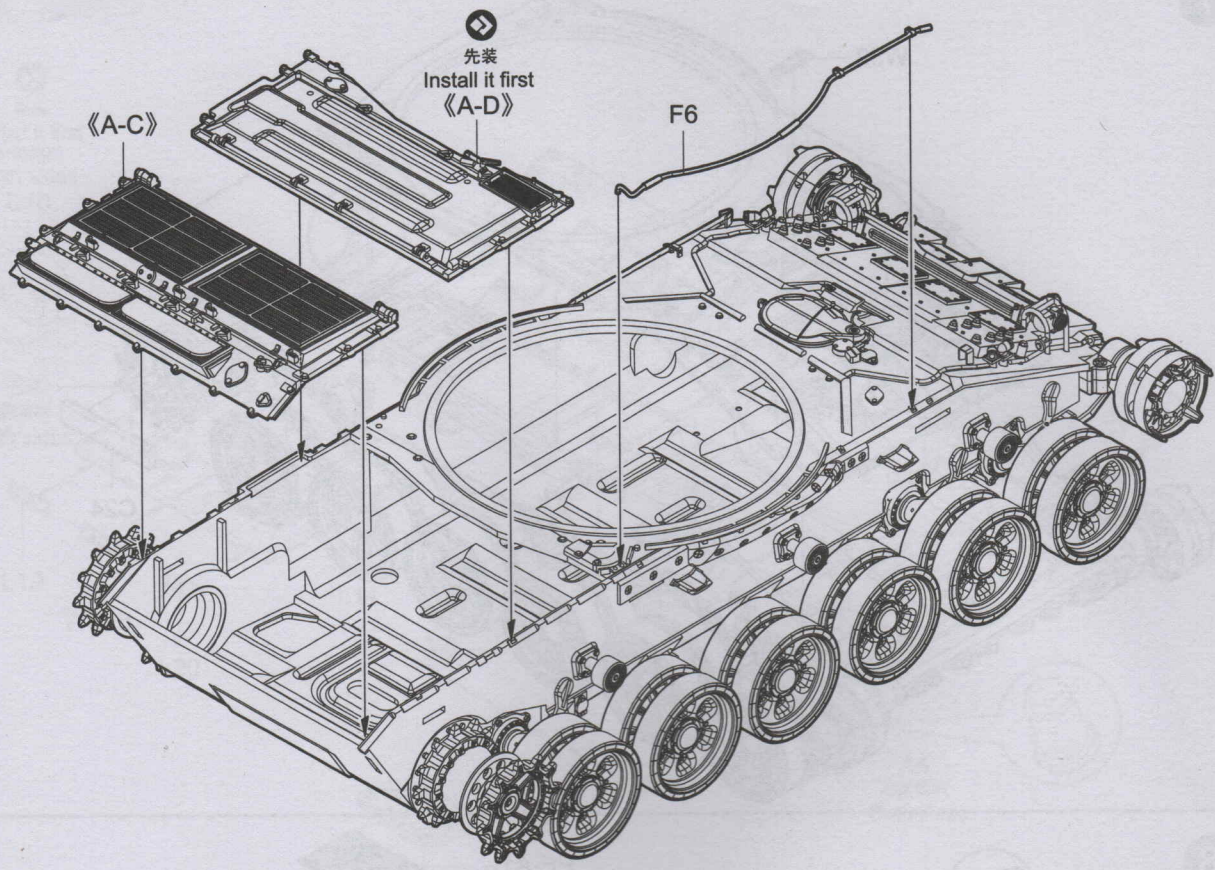
8



09610

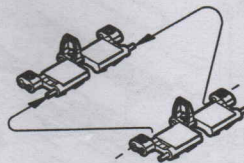
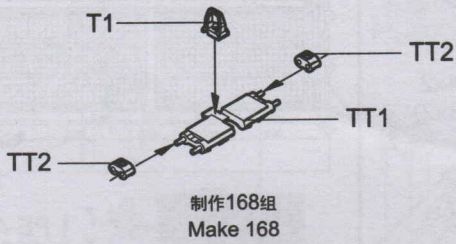
7

9

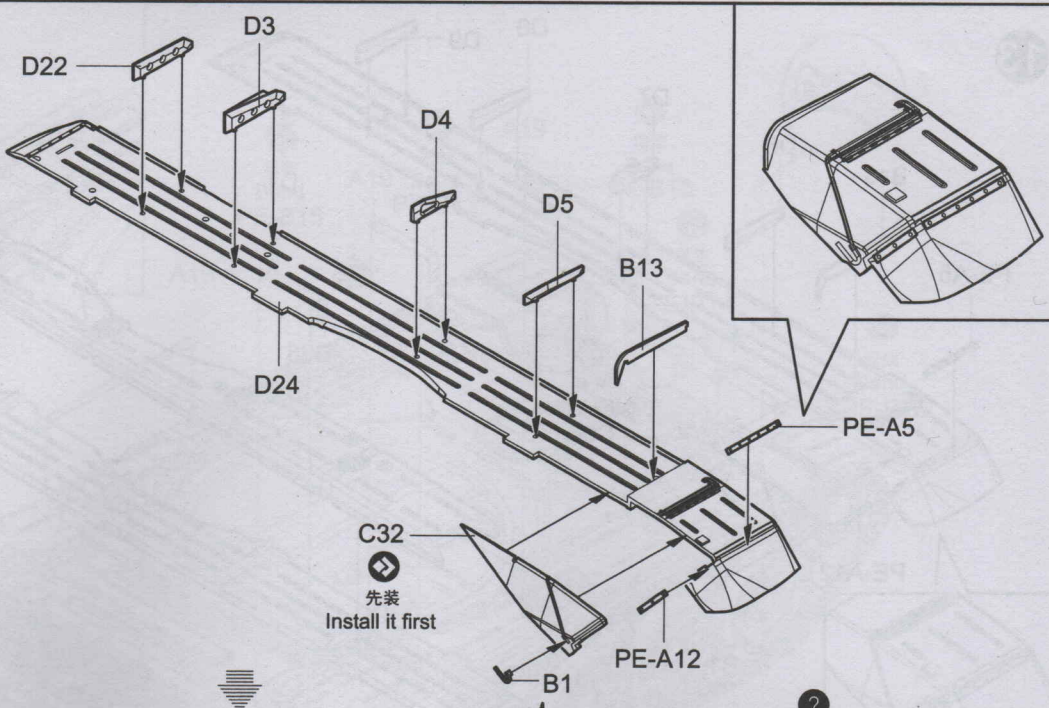


10

单侧履带需要84节
Complete track for one side require 84 links.



11



C32
 先装
 Install it first

选择
 Option

弯曲
 Bend
 PE-B11

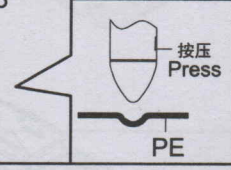
弯曲
 Bend
 PE-B10

弯曲
 Bend
 PE-B8

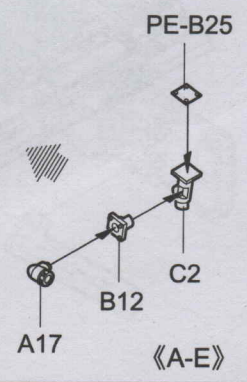
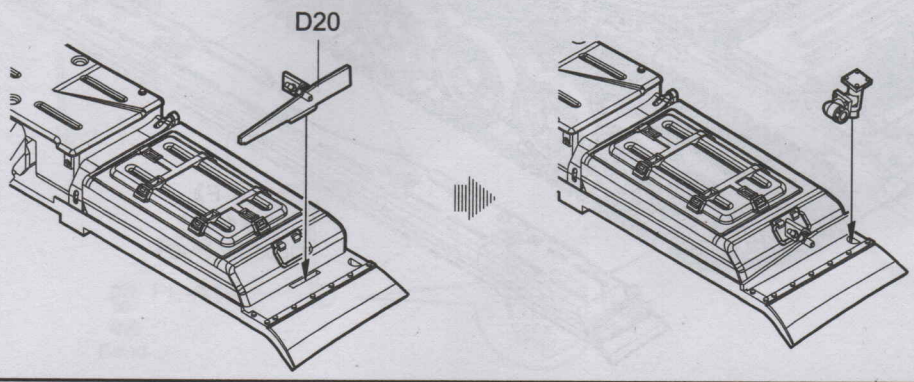
弯曲
 Bend
 PE-B9

弯曲
 Bend

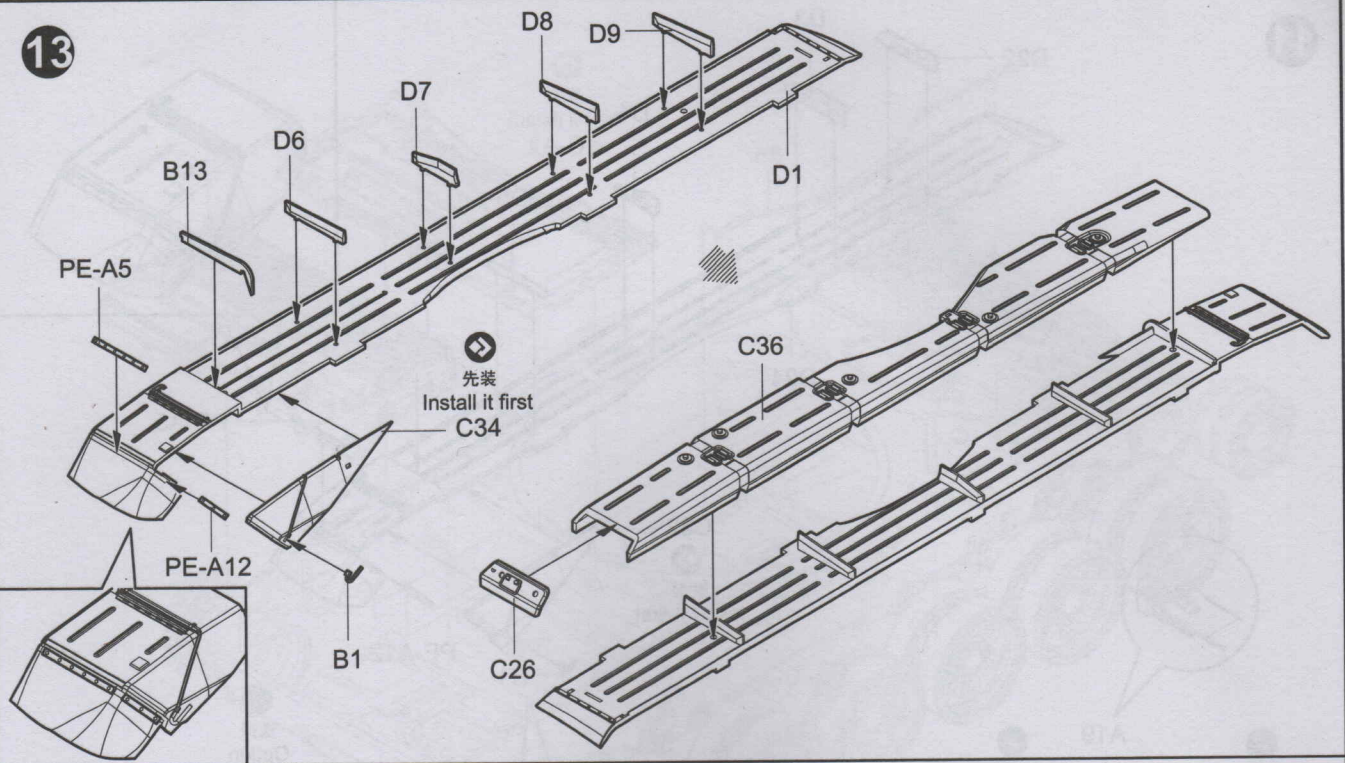
PE-B28



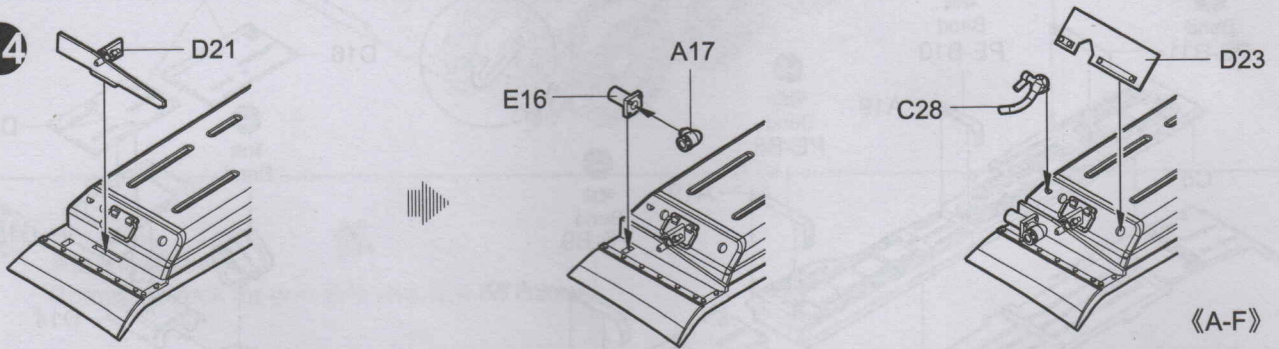
12



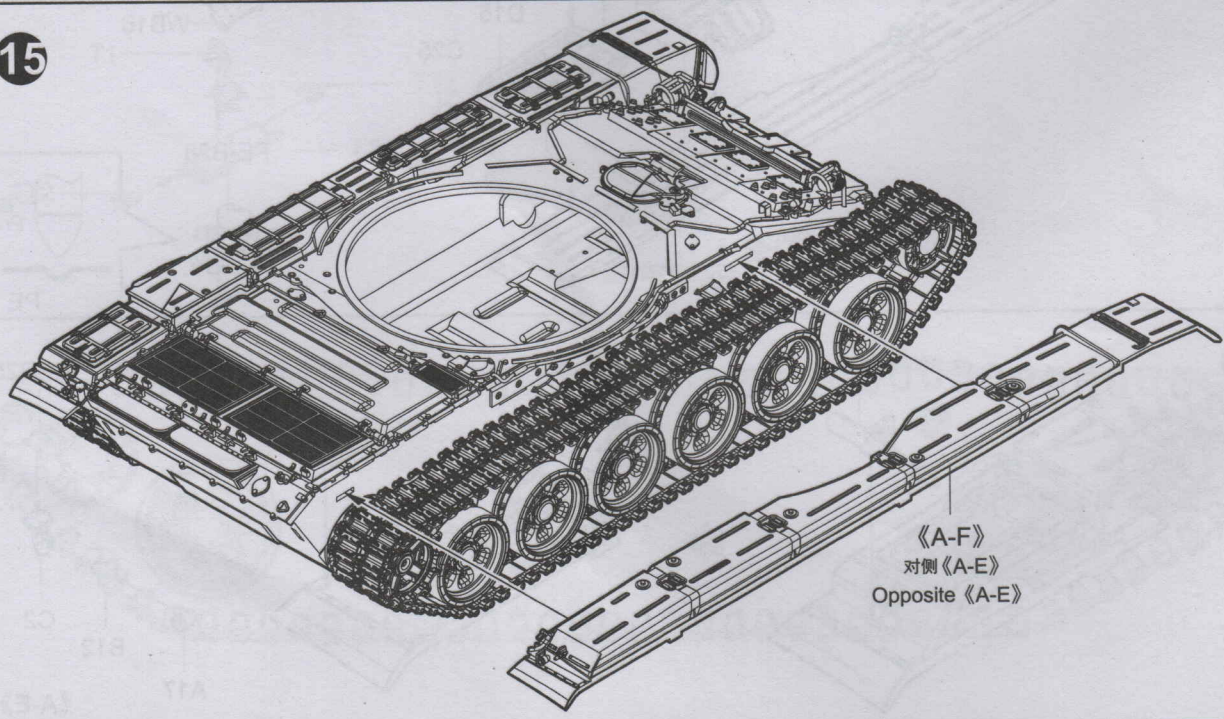
13



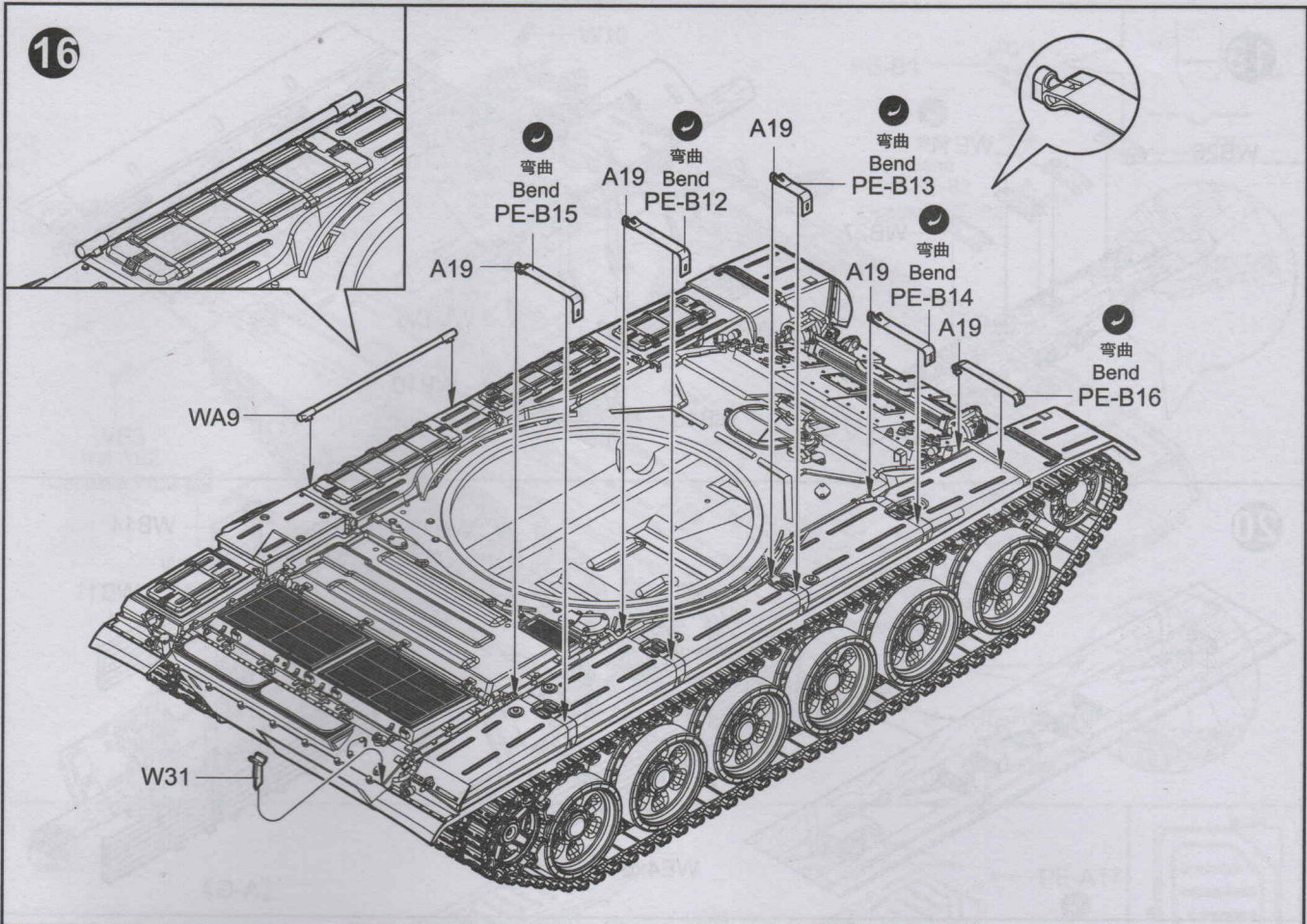
14



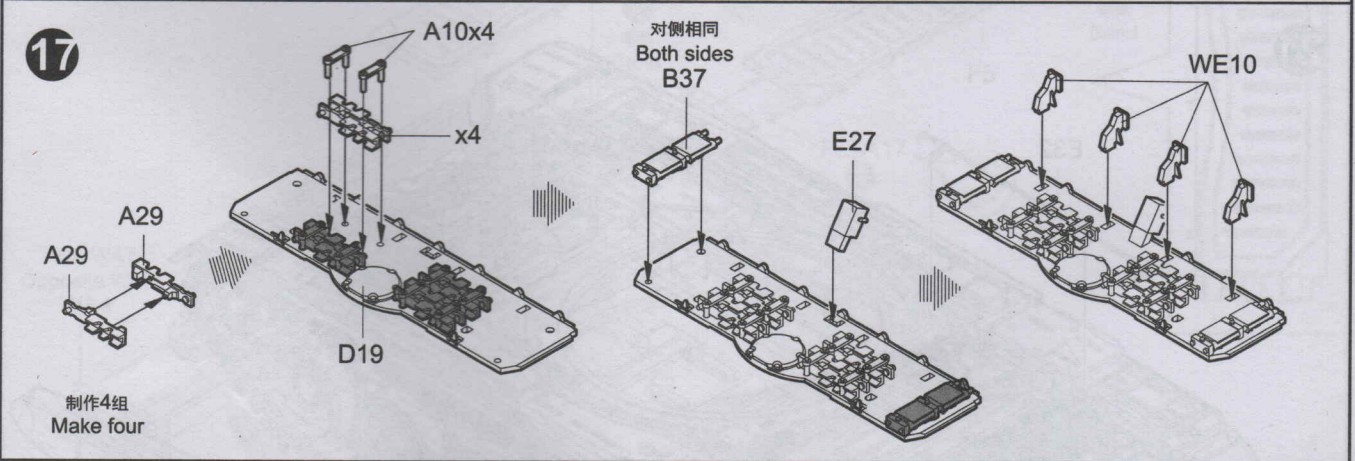
15



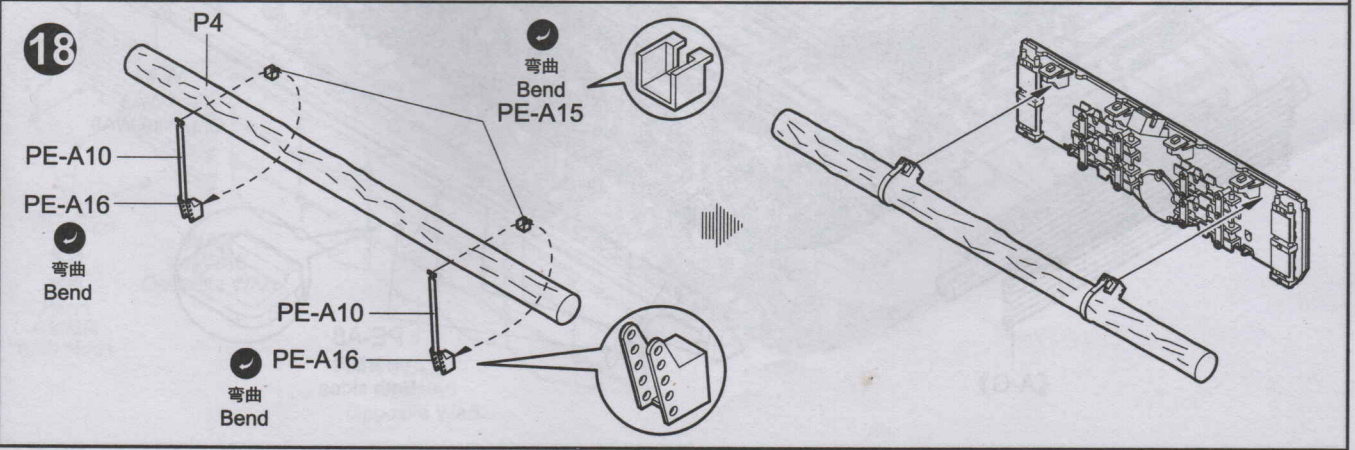
16



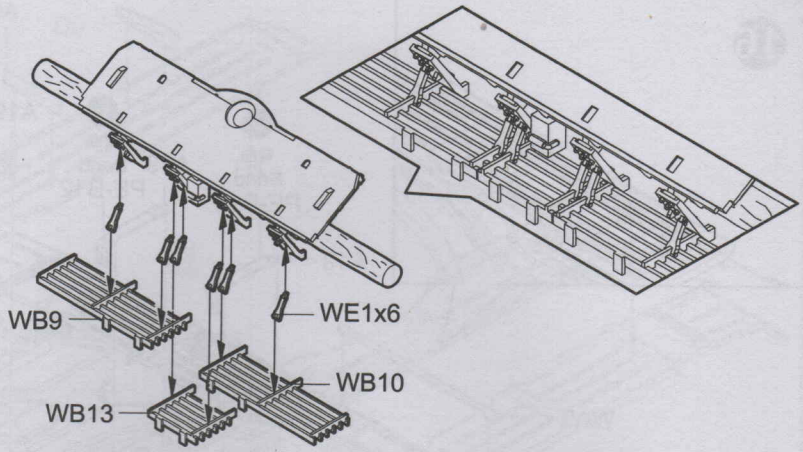
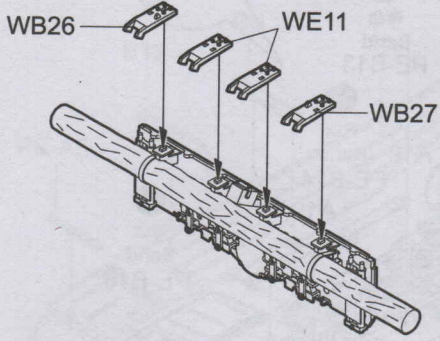
17



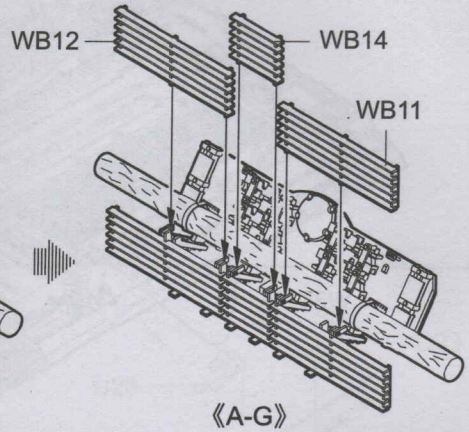
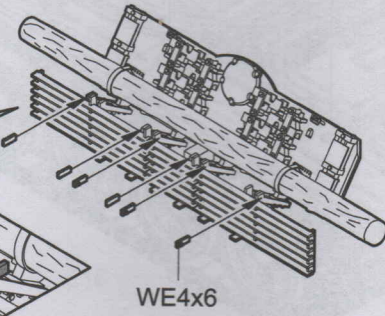
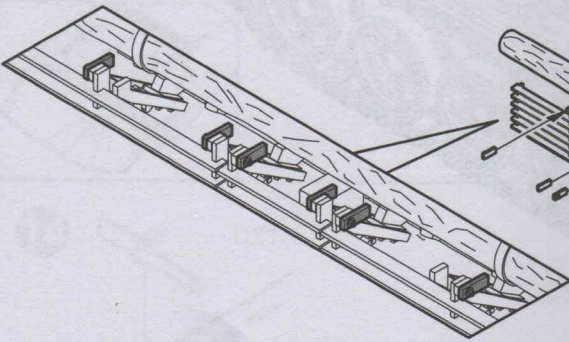
18



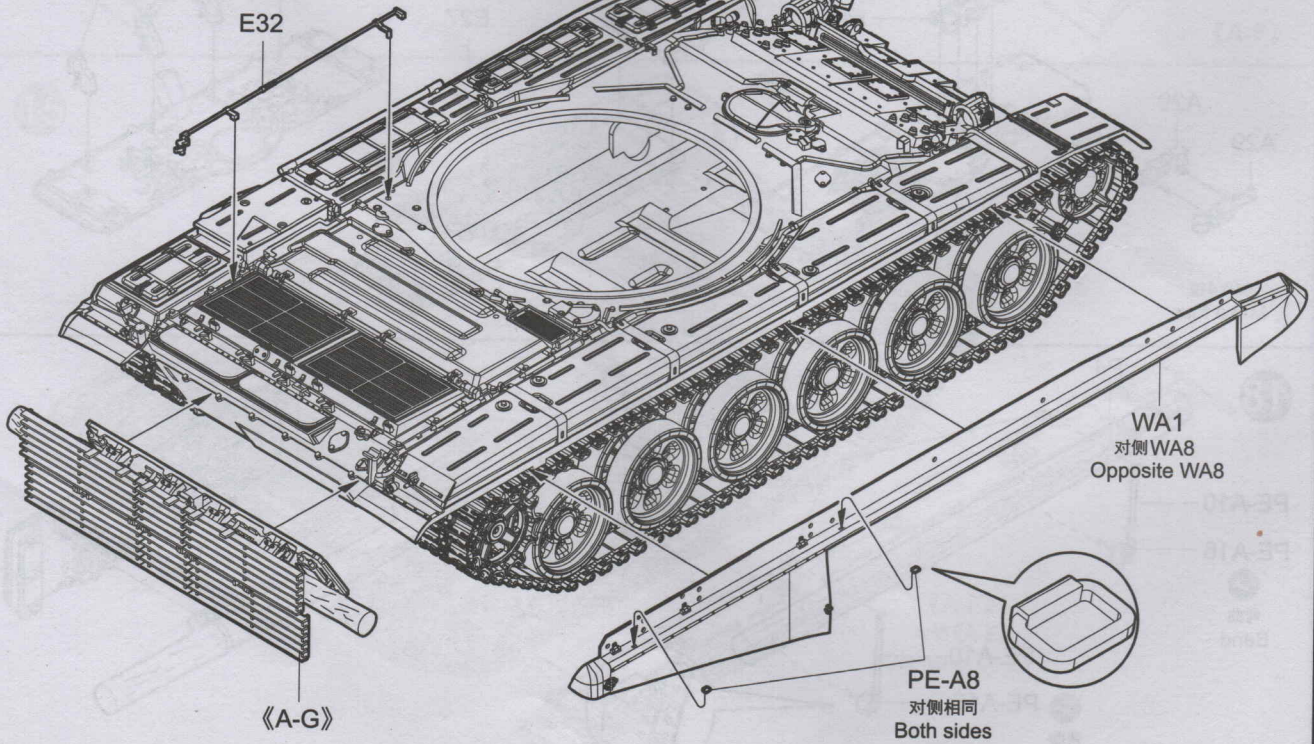
19



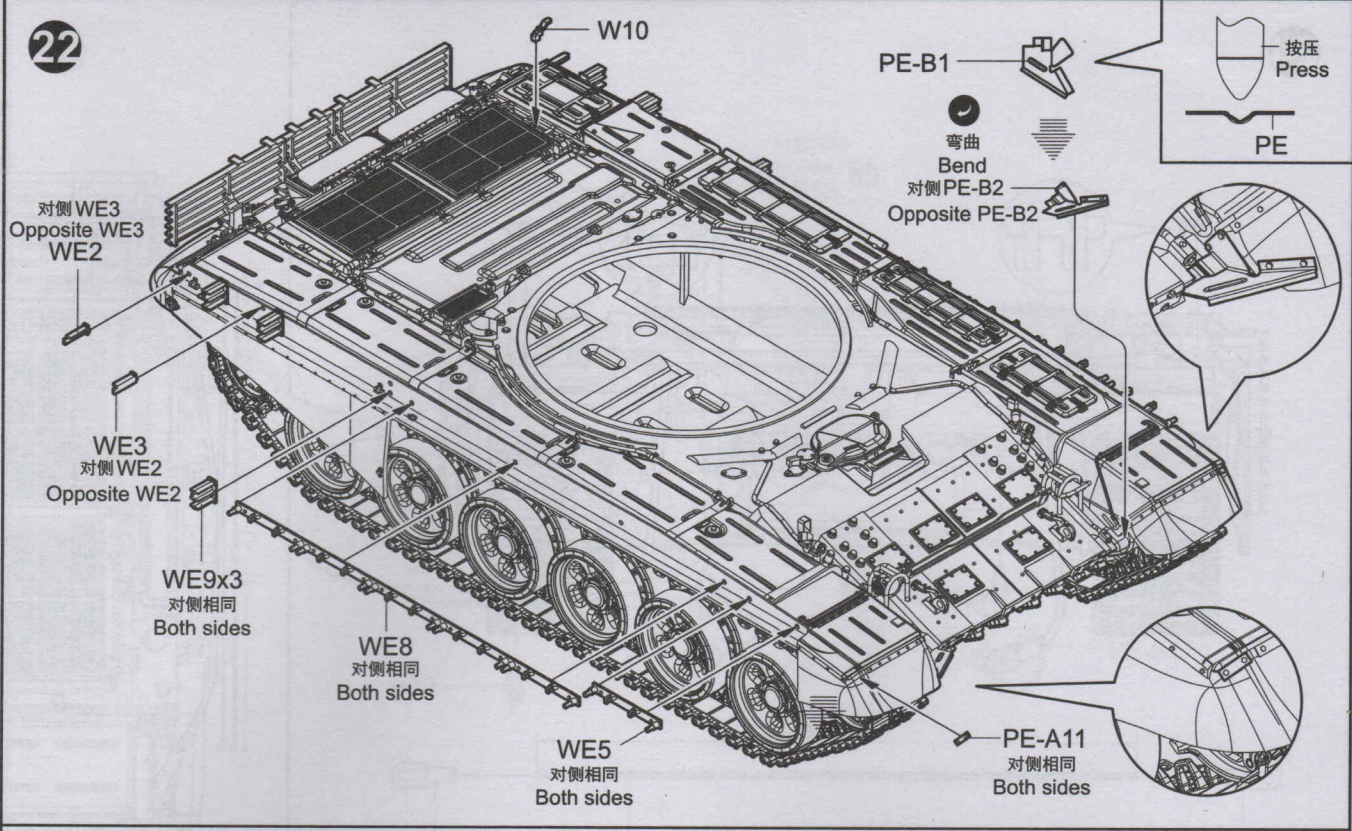
20



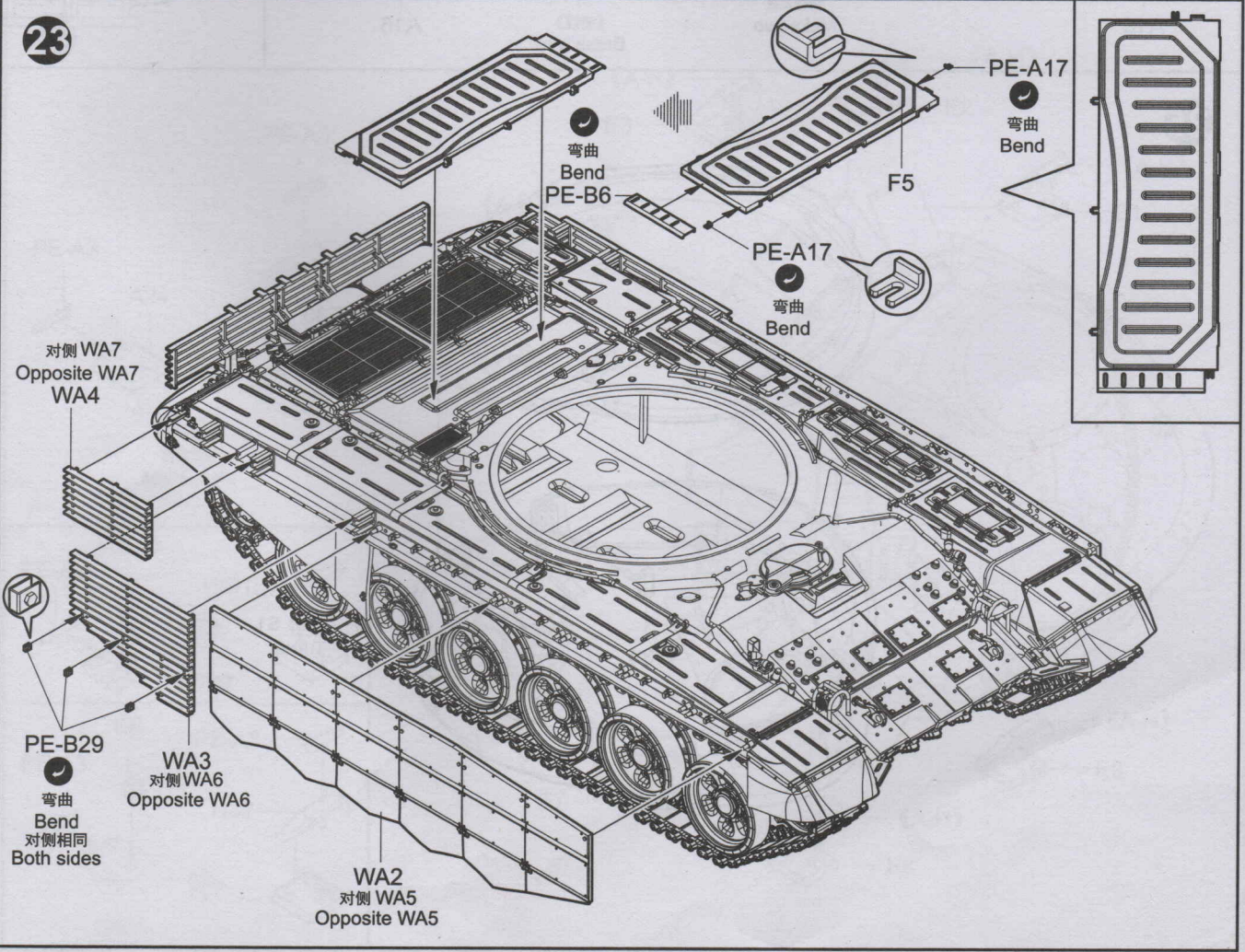
21



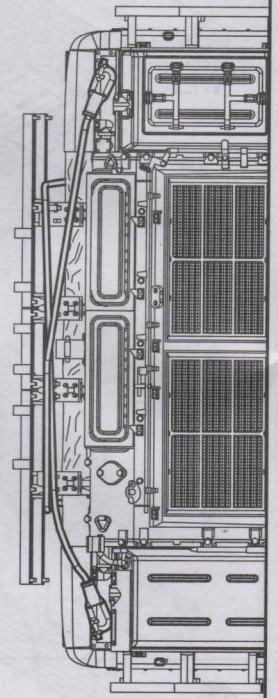
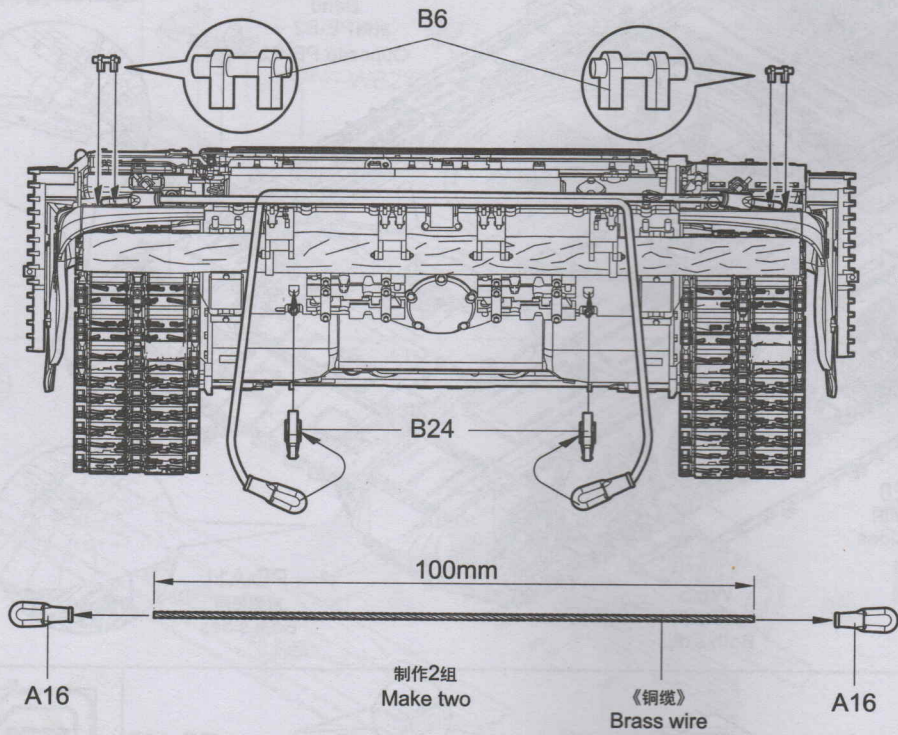
22



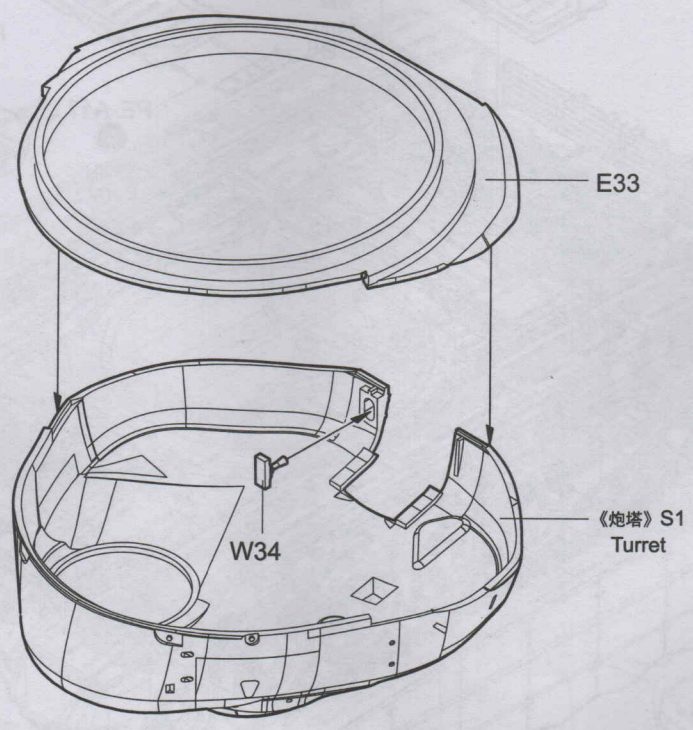
23

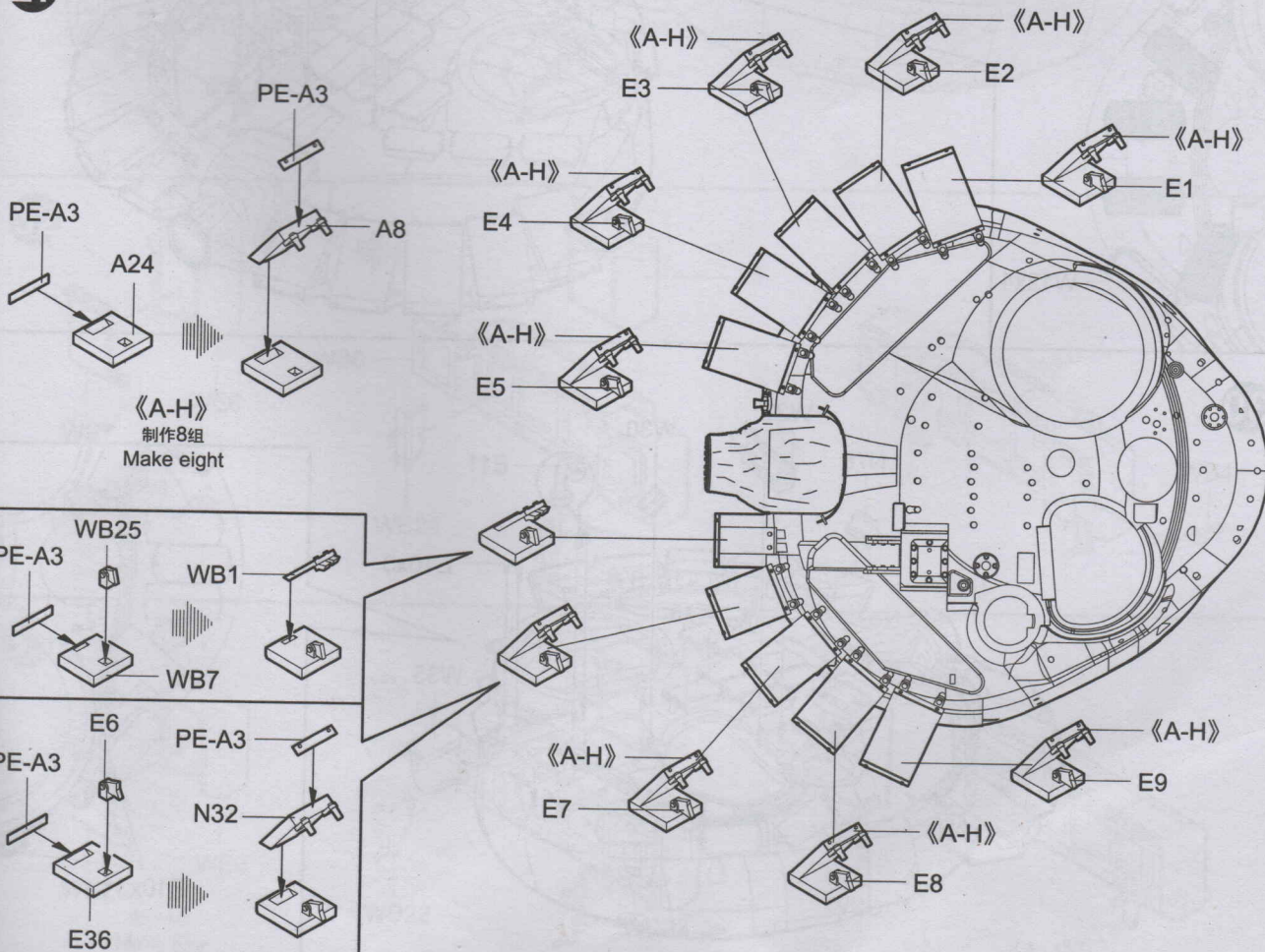
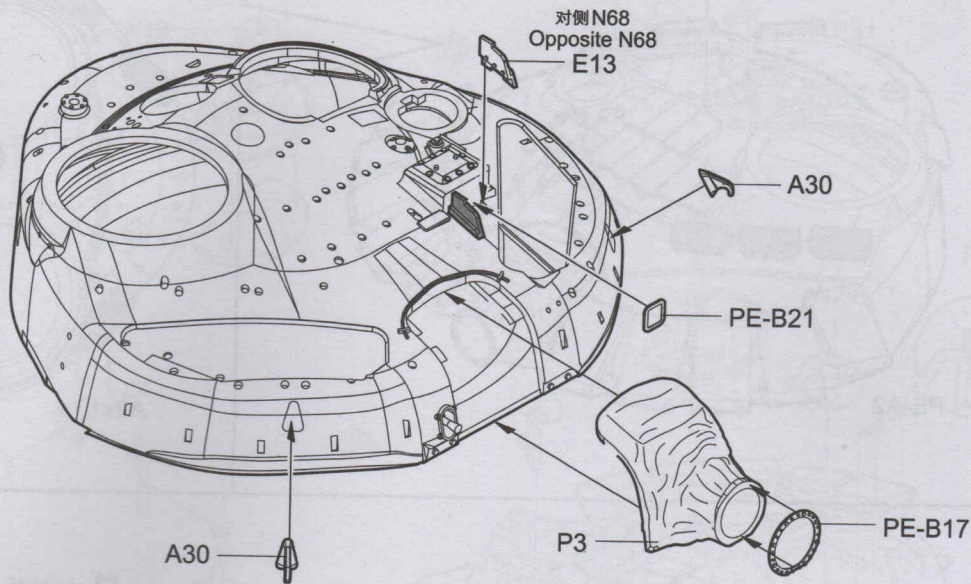


24

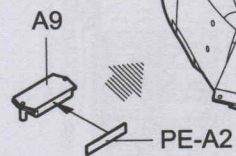
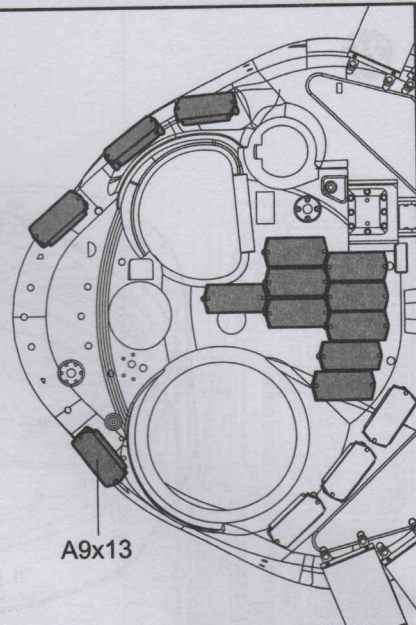
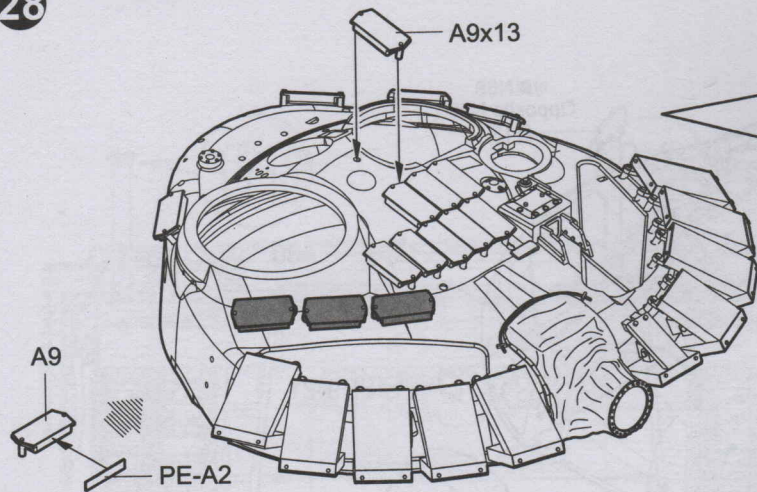


25



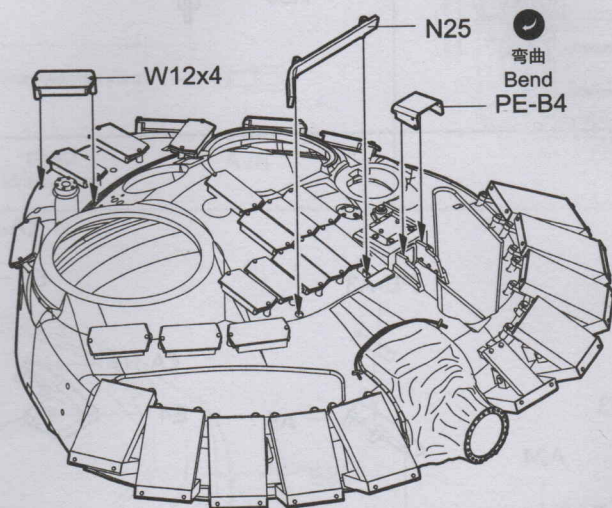


28

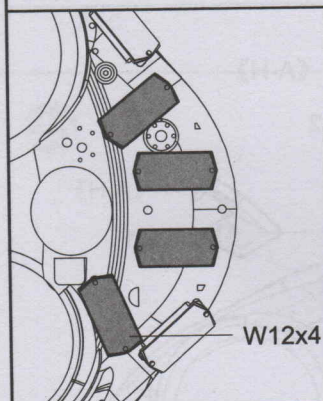


制作3组
Make three

29

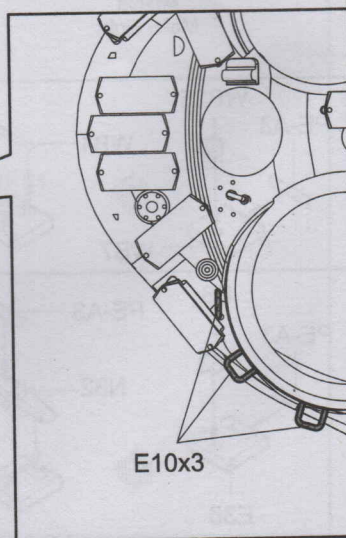
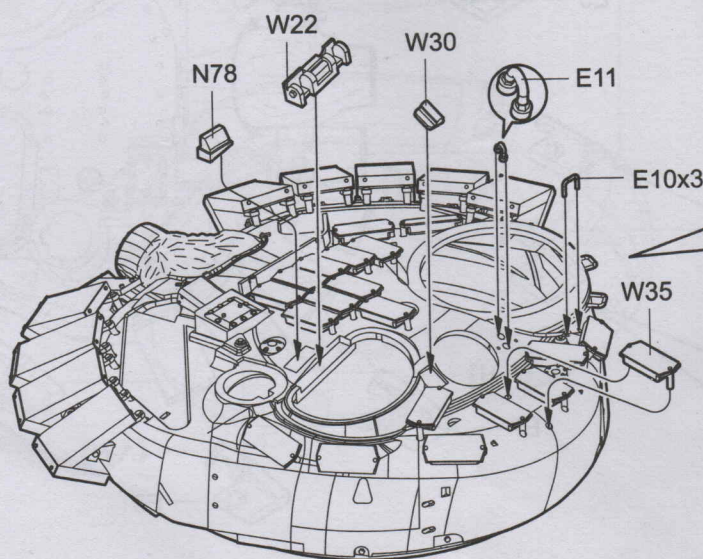


弯曲
Bend
PE-B4



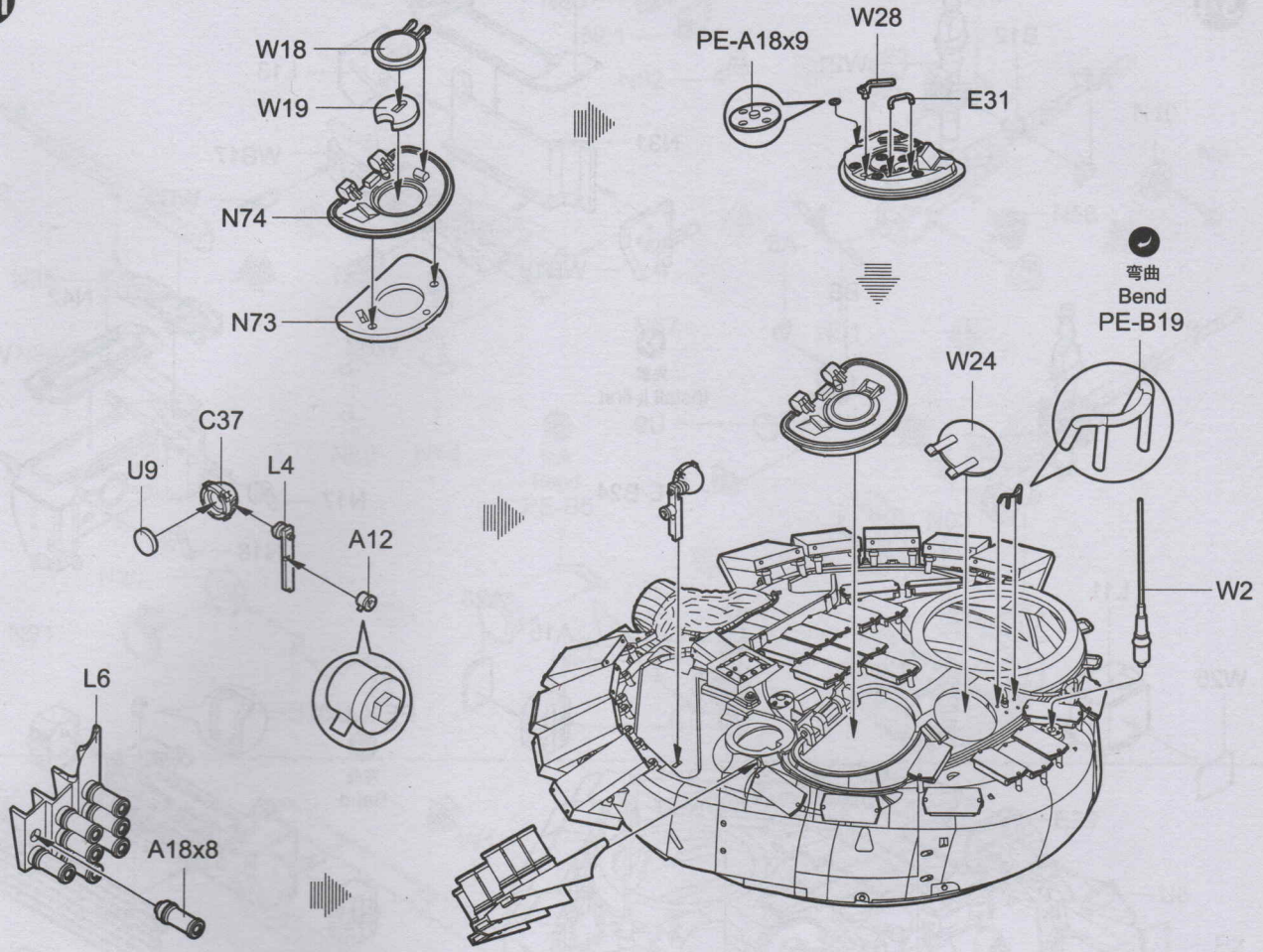
W12x4

30

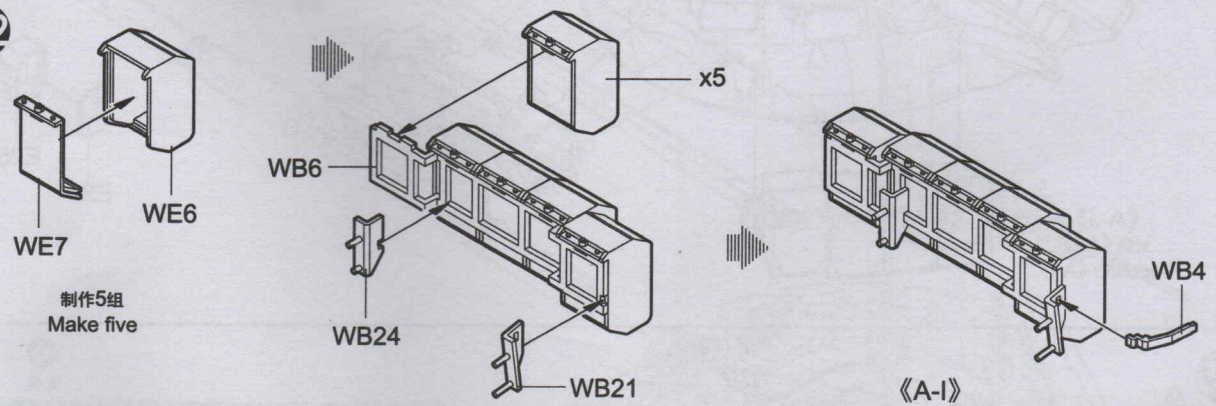


E10x3

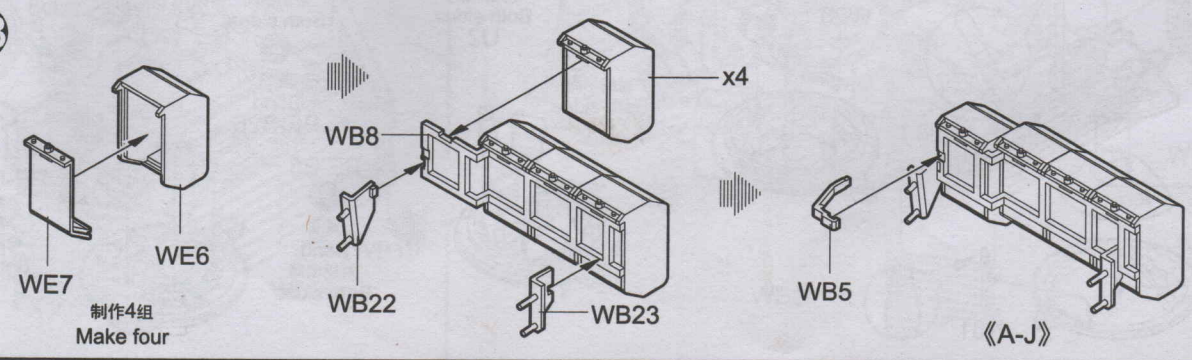
31



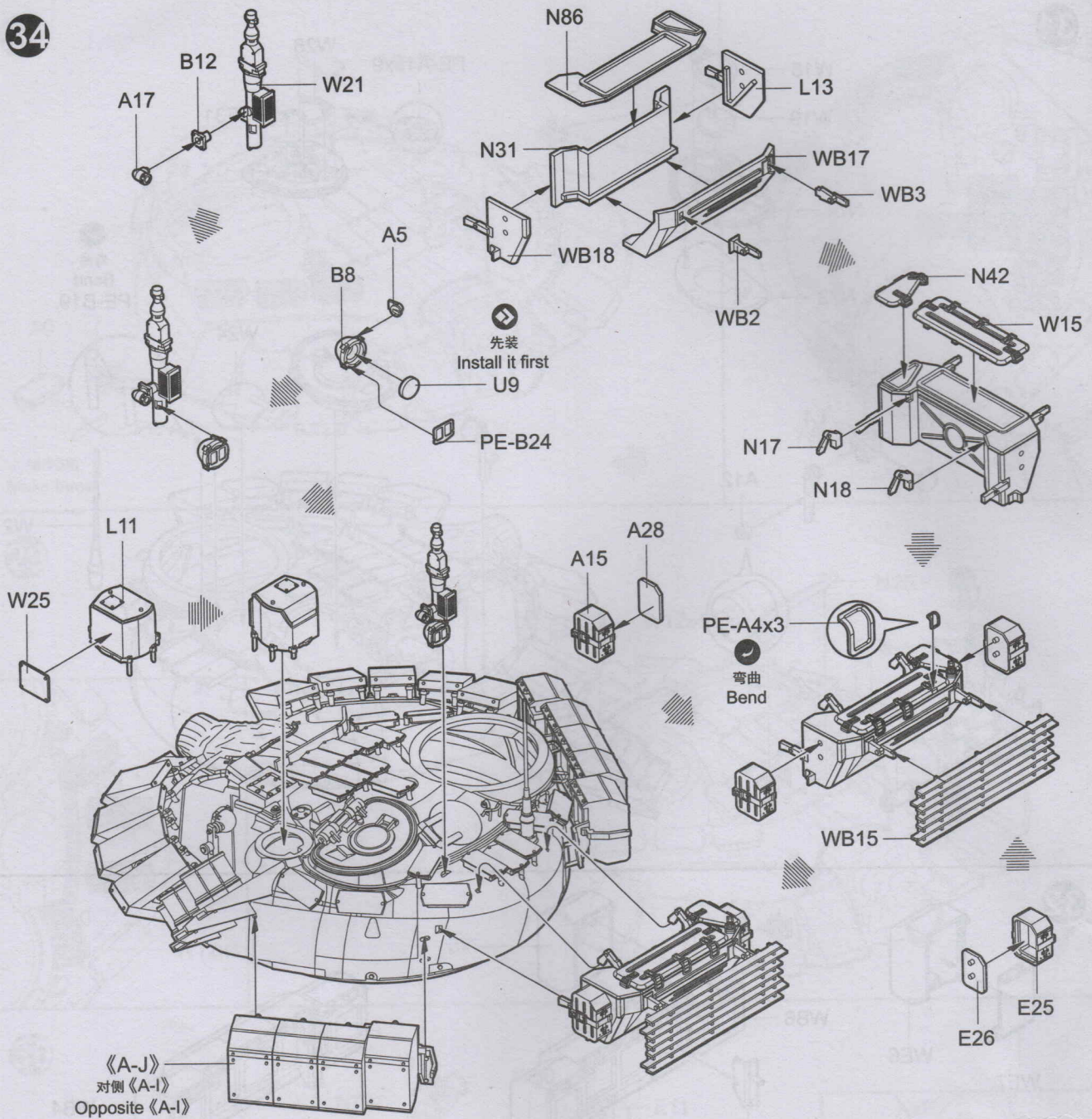
32



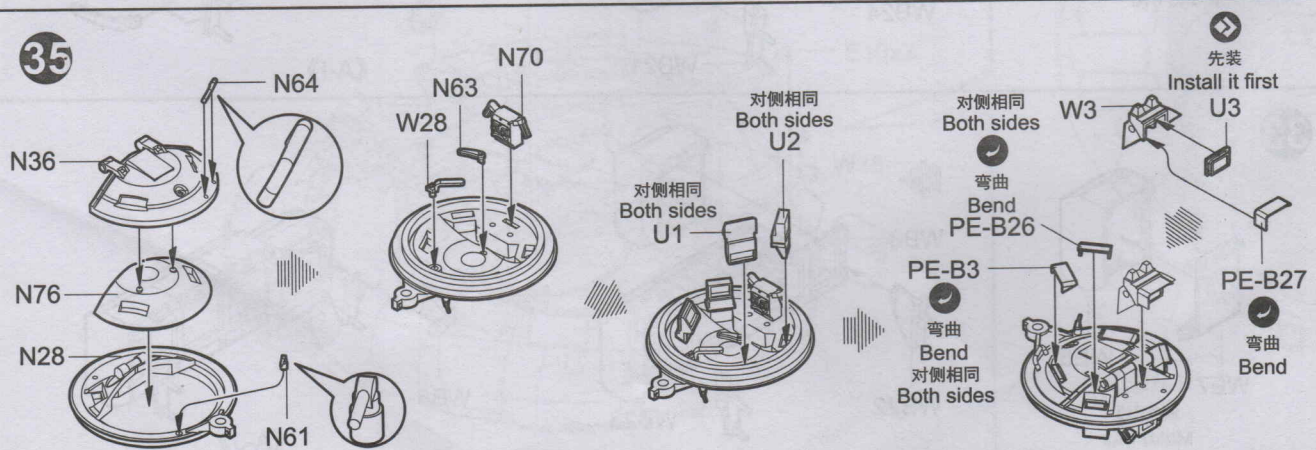
33



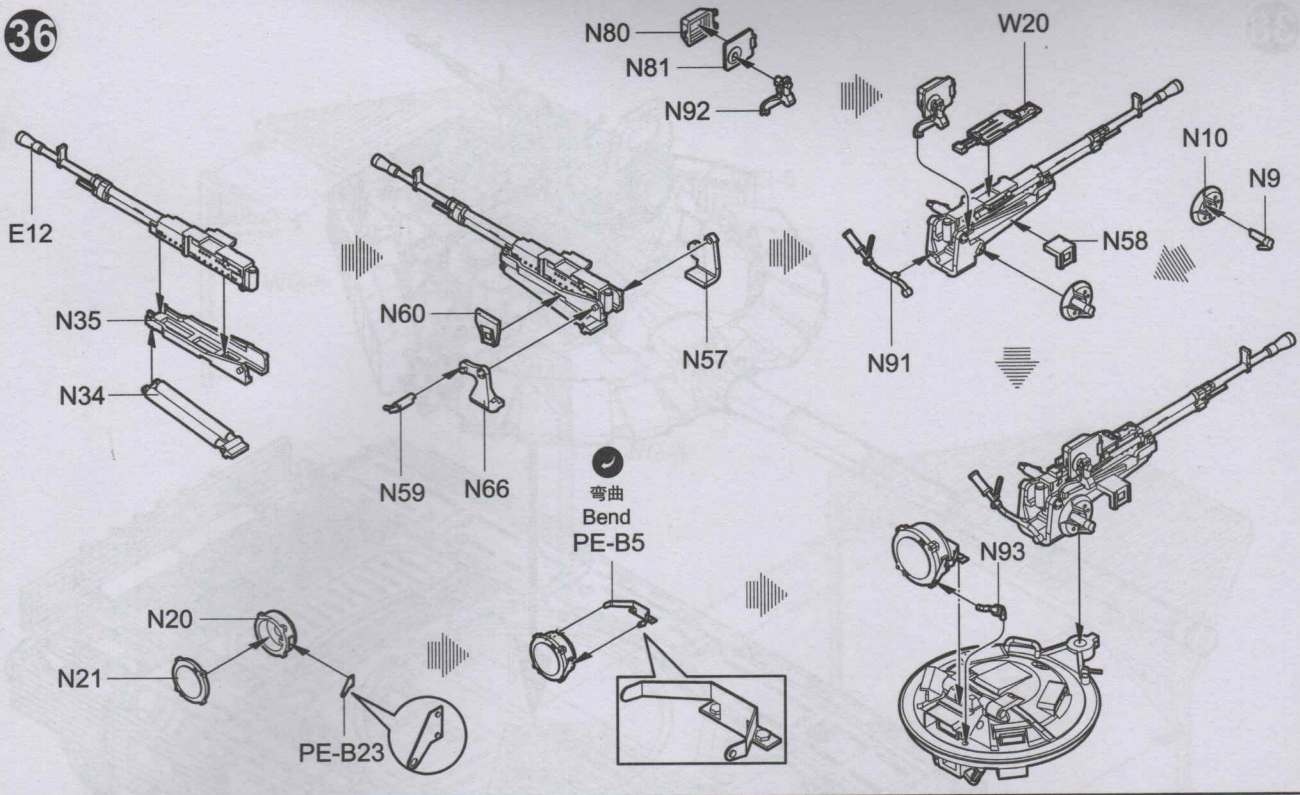
34



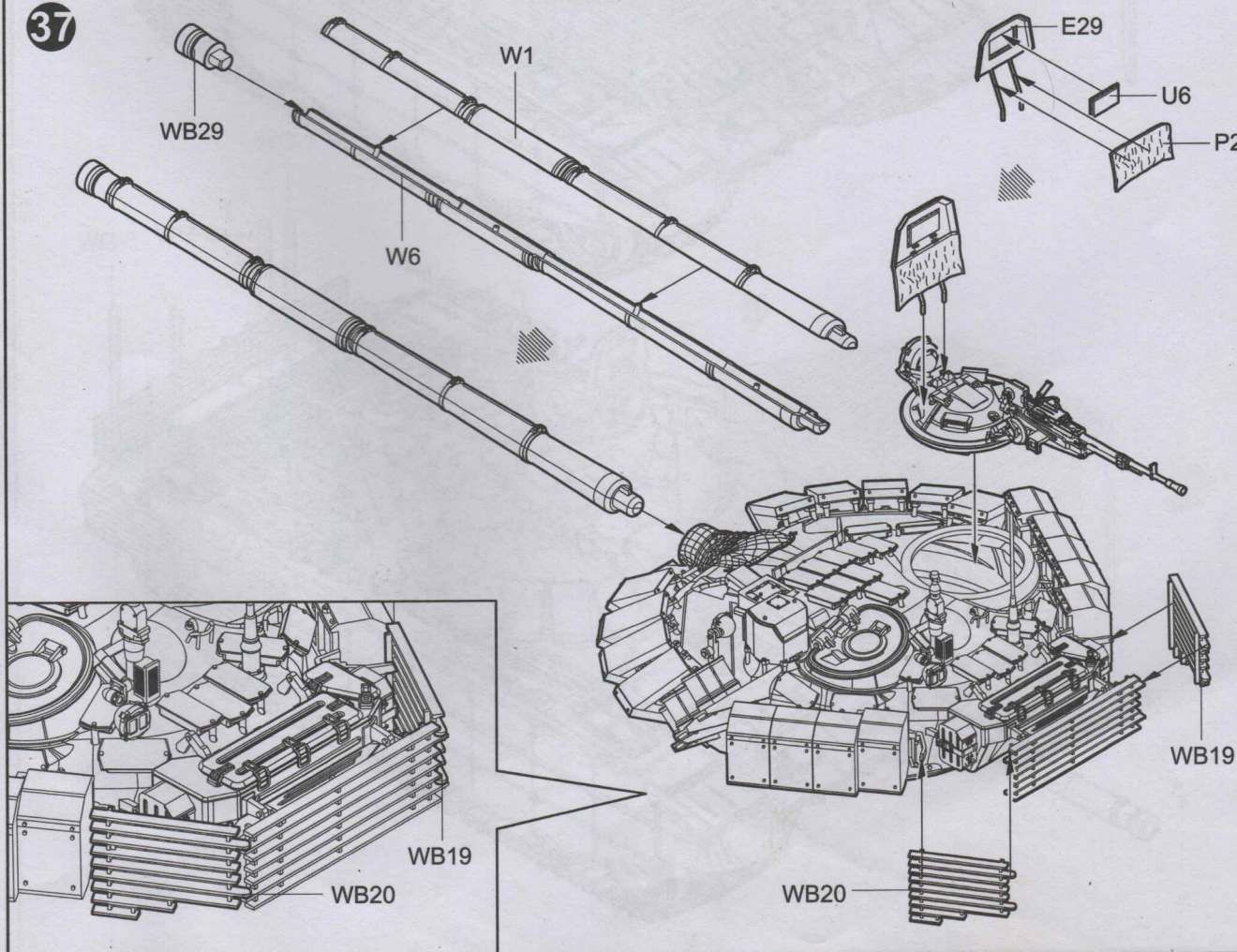
35

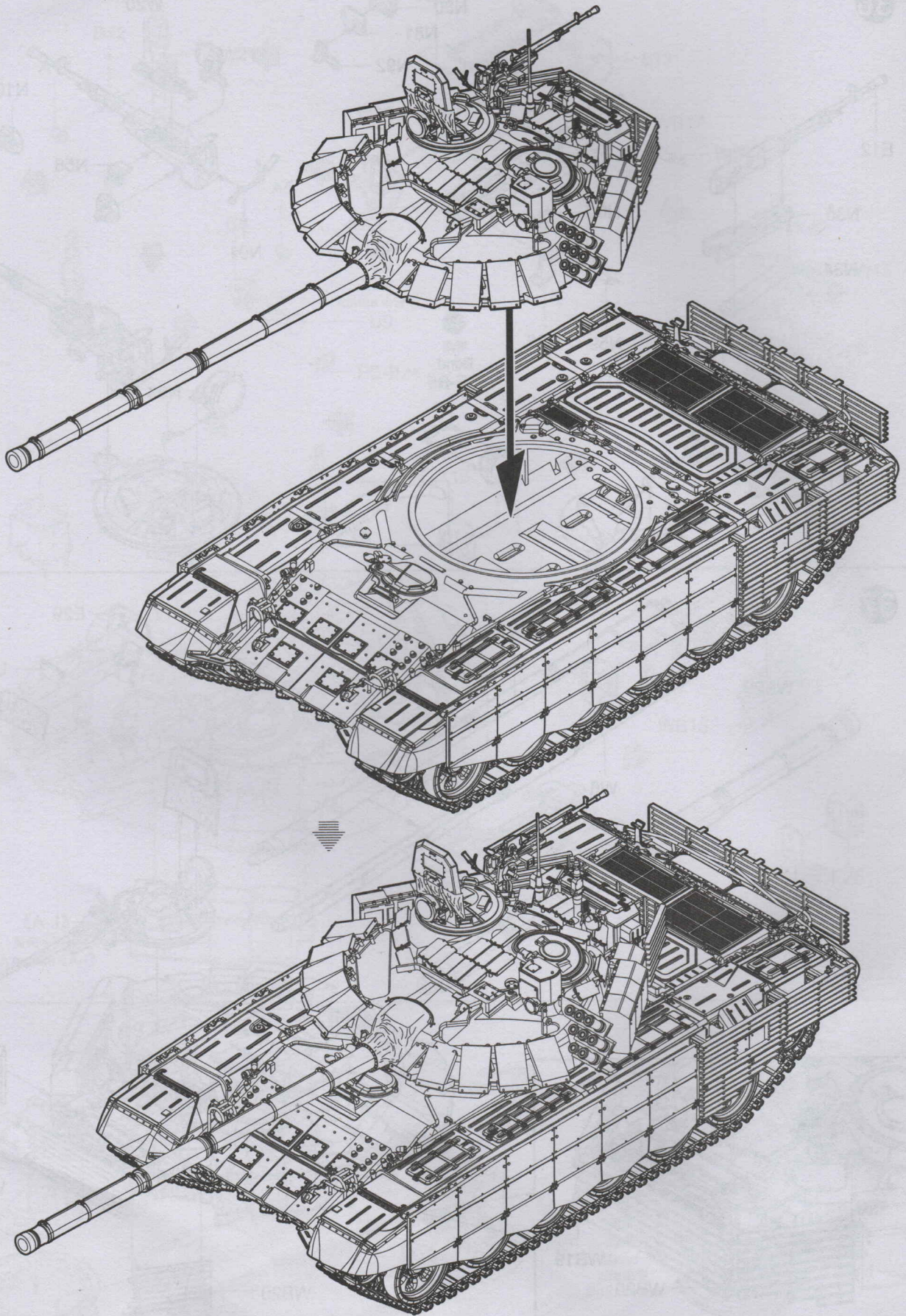


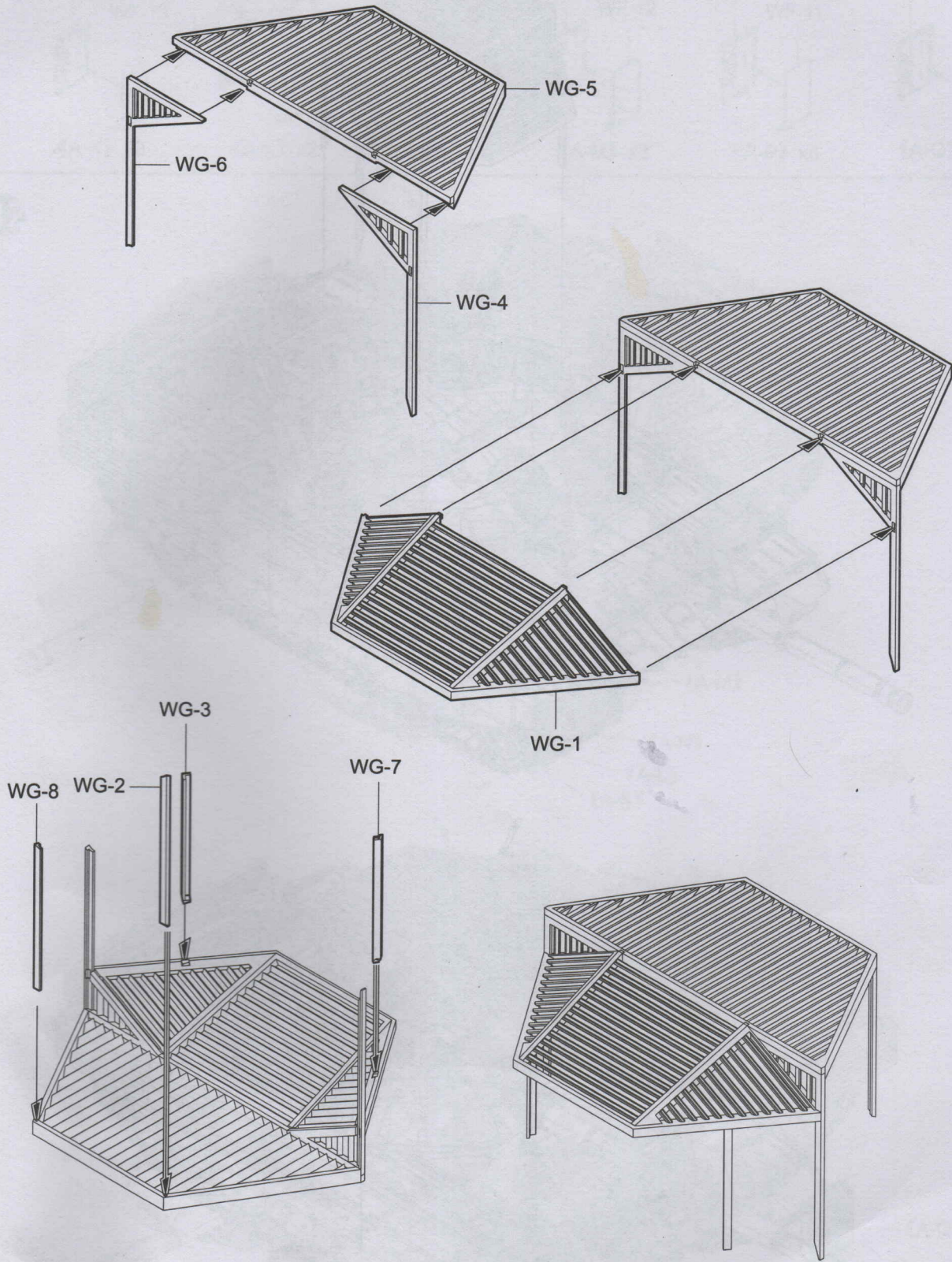
36

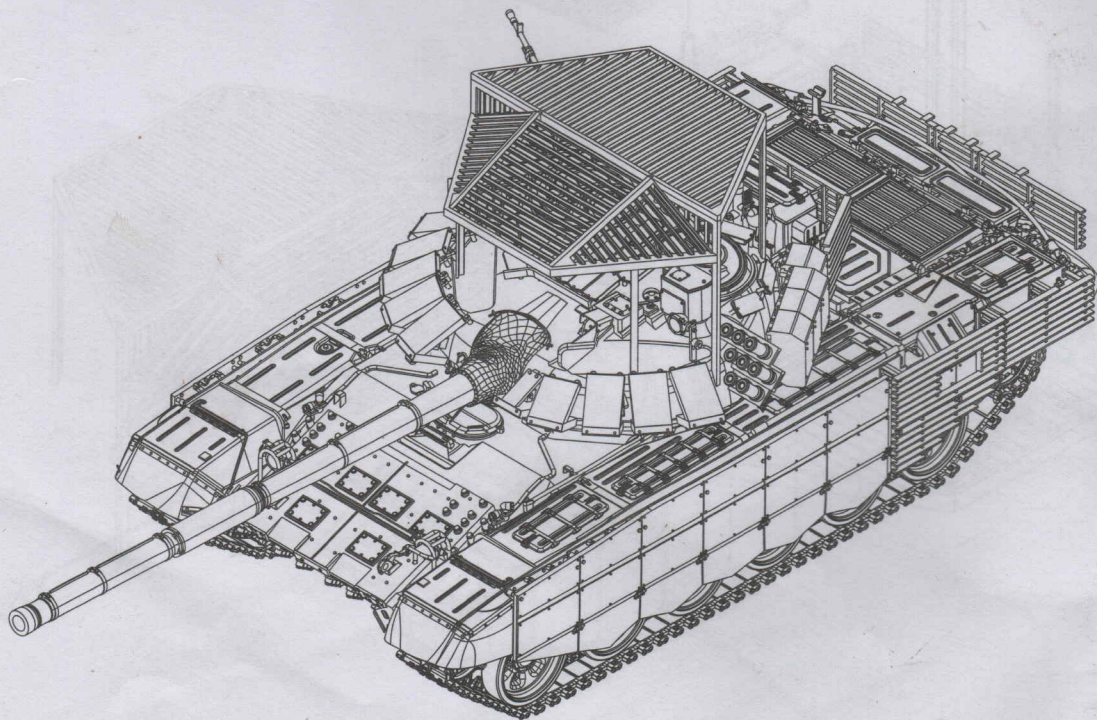
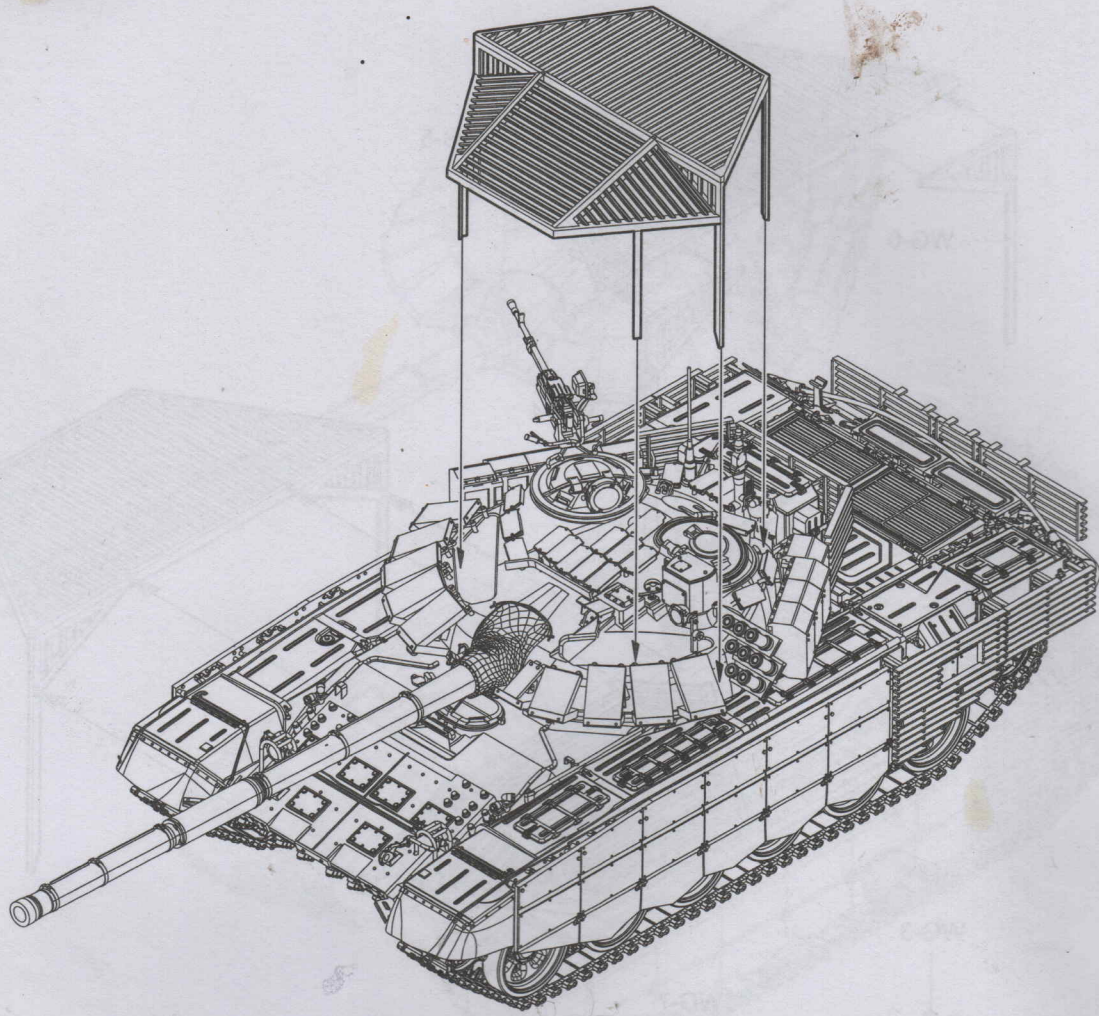


37









41

WF-7

WF-4

WF-6

WF-9

WF-8

WF-5

WF-10

WF-1

WF-3

WF-12

WF-11

WF-2

《A-K》 x2

《A-L》 x2

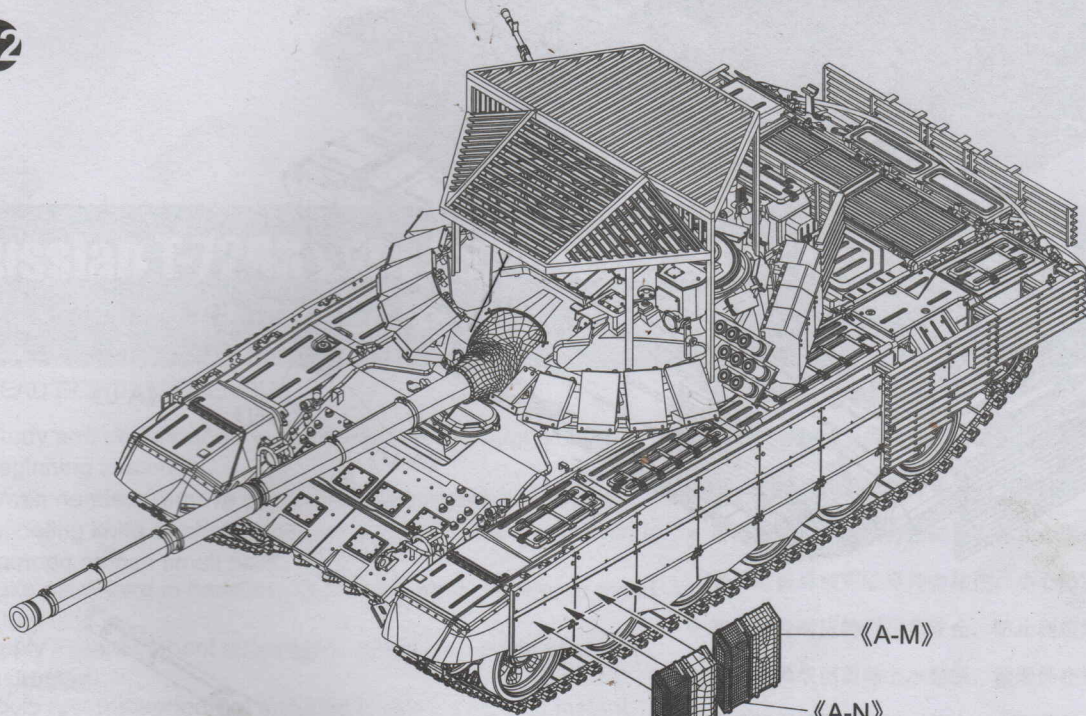
《A-N》 x2

《A-M》 x2

《A-P》 x8

《A-Q》 x8

42

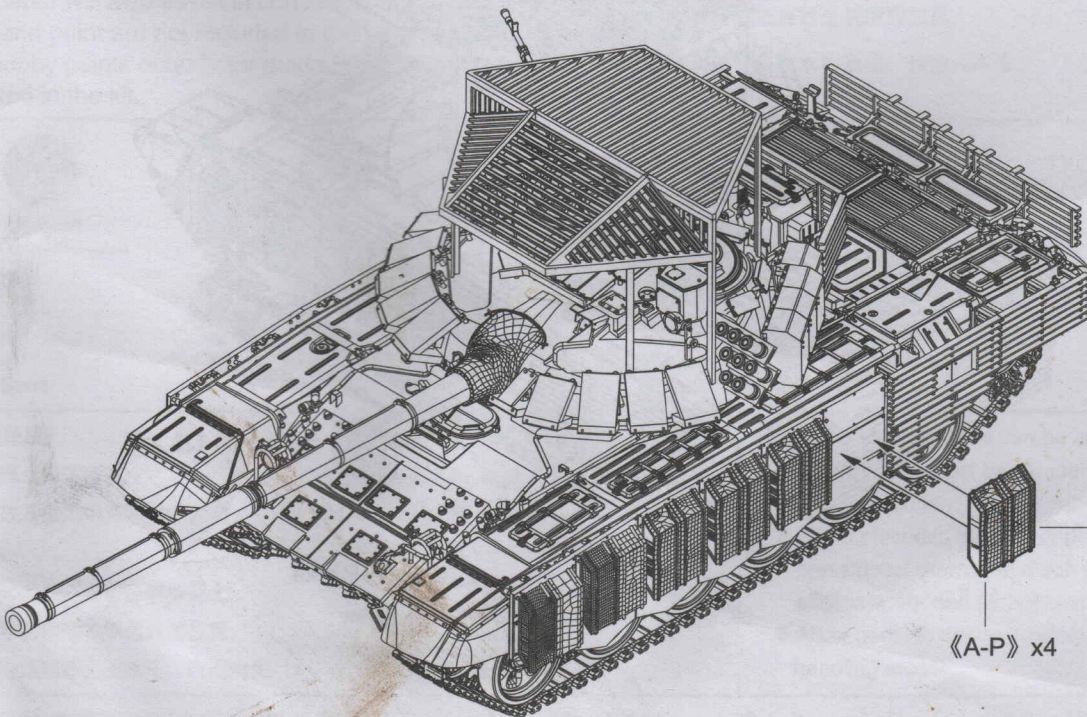


《A-M》

《A-N》

《A-L》

《A-K》



《A-Q》 x4

《A-P》 x4

